

# GTWN2800D GE® 3.8 DOE cu. ft. stainless steel capacity washer

## Dimensions and Installation Information (in inches)

**Circuit Requirements:** An individual, properly-grounded branch circuit, with a three-prong grounding-type receptacle, protected by a 15 or 20 amp circuit breaker or a time-delay fuse, is required.

### Electrical Rating:

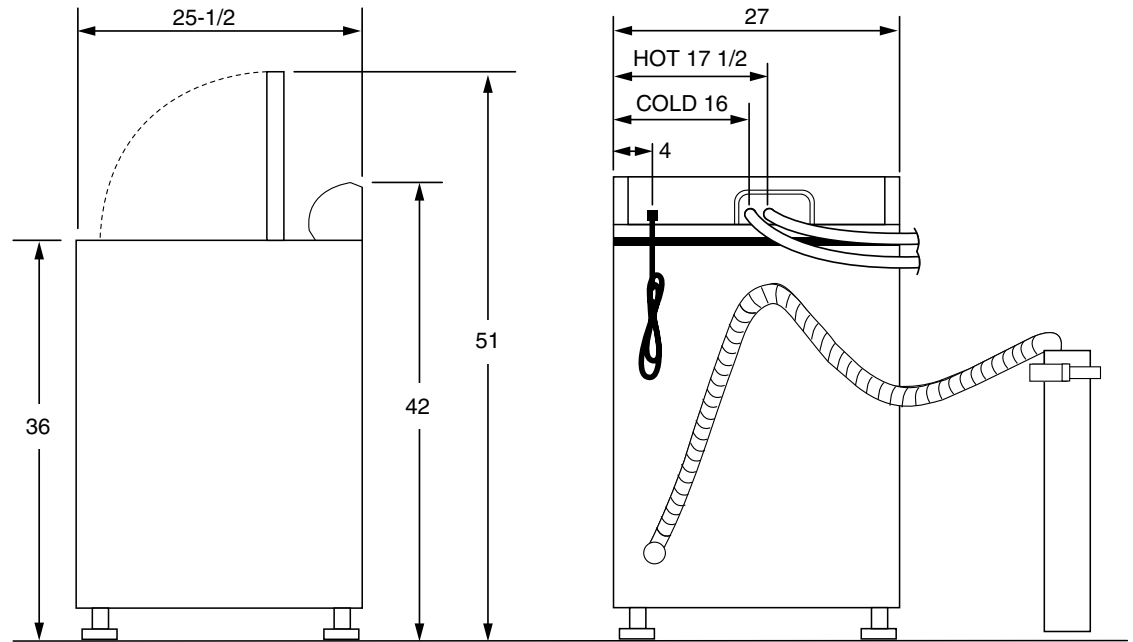
120V, 60Hz

### Washer Note:

Washer wall outlet must be located within 36" of service cord entry. Wall outlet must not be located behind dryer.

### Installation Information:

Before installing, consult installation instructions packed with your washer.



Side View

Rear View

For answers to your Monogram®, GE Profile™ or GE® appliance questions, visit our website at [geappliances.com](http://geappliances.com) or call GE Answer Center® service, 800.626.2000.



imagination at work



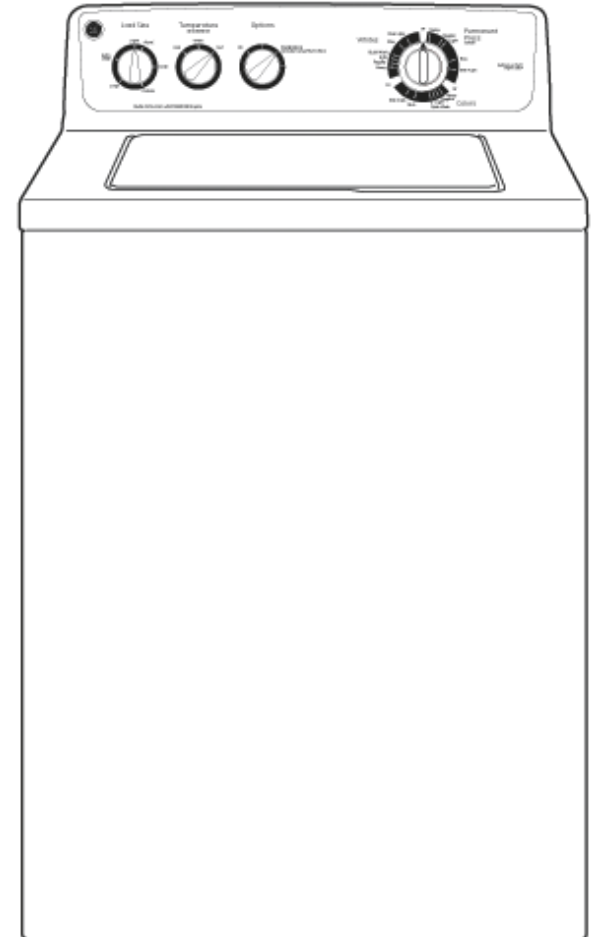
Listed by  
Underwriters  
Laboratories

# GTWN2800D

## GE® 3.8 DOE cu. ft. stainless steel capacity washer

### Features and Benefits

- Dual-Action agitator provides gentle, dual-wash action
- Rotary electromechanical controls make it simple to set cycles
- 13 wash cycles handle various fabrics and soils
- 5 water levels—select water level based on load size
- Bleach and fabric softener dispensers automatically operate with wash cycle
- Power Rinse - Optional deep-rinse cycle ensures clothes are rinsed of soap residue and fabric softener
- 630-RPM spin speed—fast spin speeds remove water efficiently and minimize dry times
- Model GTWN2800DWW – White



Modified Energy Factor (iMEF)*	8.4
Water Factor (iWF)*	5.5

\*Certified by 10CFR-430 appendix J1