

# HTW200ASKWW

Hotpoint® 3.8 DOE cu. ft. capacity stainless steel basket washer

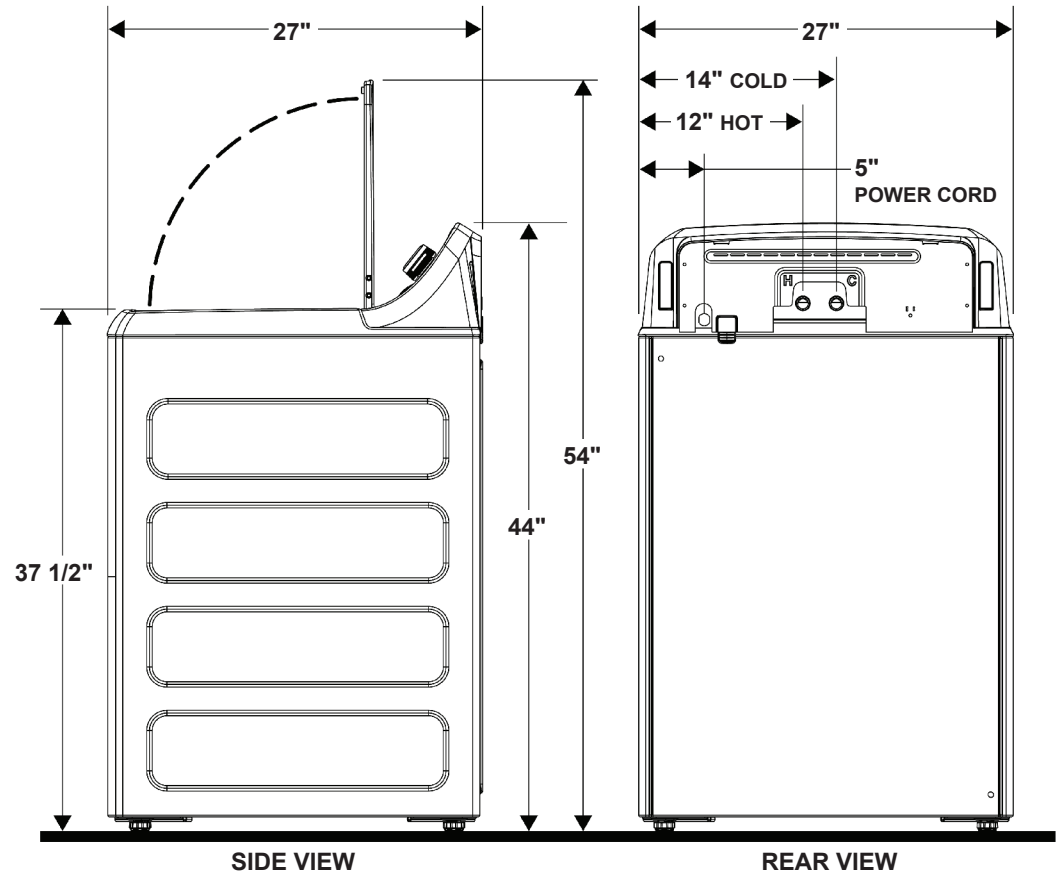
## WASHER DIMENSIONS (IN INCHES)

**CIRCUIT REQUIREMENTS:** An individual, properly-grounded branch circuit, with a three-prong grounding-type receptacle, protected by a 15 or 20 amp circuit breaker or a time-delay fuse, is required.

**ELECTRICAL RATING:** 115V, 60Hz, 10 Amps

**INSTALLATION INFORMATION:** Before installing, consult installation instructions packed with product for current dimensional data.

**WASHER NOTE:** Washer wall outlet must be located within 36" of service cord entry. Wall outlet must not be located behind dryer.



For answers to your Monogram, GE Café™ Series, GE Profile™ Series or GE Appliances product questions, visit our website at [geappliances.com](http://geappliances.com) or call GE Answer Center® Service, 800.626.2000.



Specification Created 5/16

# HTW200ASKWW

*Hotpoint® 3.8 DOE cu. ft. capacity stainless steel basket washer*

## FEATURES AND BENEFITS

Stainless steel basket - Long-lasting stainless steel finish resists rust and won't chip, peel or snag clothes

Heavy-duty agitator - Powerful wash action rotates your laundry for a thorough clean every time

Load size - Select your preferred load size for the desired water level or let the machine automatically sense the load and add the amount of water needed to ensure great cleaning results

Rotary electronic controls with cycle status lights - Know the progress of the wash cycle with just a quick glance

700 RPM spin speed - Fast spin speeds remove water efficiently and minimize dry time

10 wash cycles - Multiple cycles are designed to specifically handle various fabrics and soils

HTW200ASKWW - White

