

RAS240DMWW

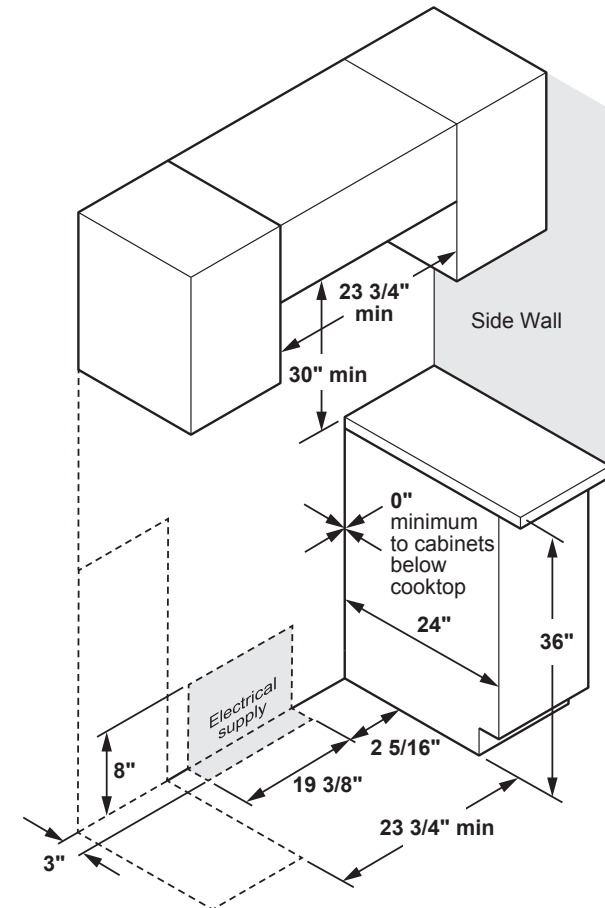
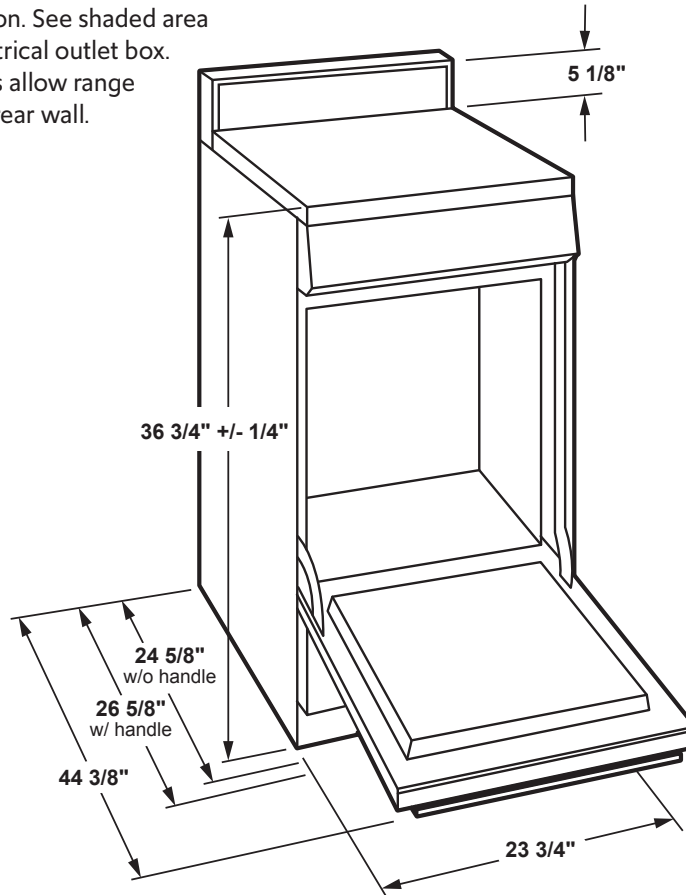
Hotpoint® ENERGY STAR® 24" Electric Free-Standing Front-Control Range

DIMENSIONS AND INSTALLATION INFORMATION (IN INCHES)

Receptacle Locations:

Locally approved flexible service cord or conduit must be used because terminals are not accessible after range installation. See shaded area in drawings for location of electrical outlet box. Recommended outlet locations allow range to be installed directly against rear wall.

KW RATING	
240V	9.3
208V	7.2



Hotpoint®

For answers to your Hotpoint product questions, visit our website at hotpoint.com or call 800.626.2000.



All GE Appliances ranges are equipped with an Anti-Tip device. The installation of this device is an important, required step in the installation of the range.



Specification Revised 9/24

RAS240MWW

Hotpoint® ENERGY STAR® 24" Electric Free-Standing Front-Control Range

FEATURES AND BENEFITS

Front controls – Minimize need to reach.

Sensi-Temp Technology – Enjoy the same cooking power as a traditional coil with an added safety feature that meets new UL858 Household Electric Ranges Standard for Safety.

Lift-up cooktop with porcelain-enameled subtop – Access messes under the cooktop for easy cleanability.

Two oven racks – Feature a durable construction to help accommodate any size or type of cookware.

Standard-clean oven – Smooth surface makes cleaning by hand easier.

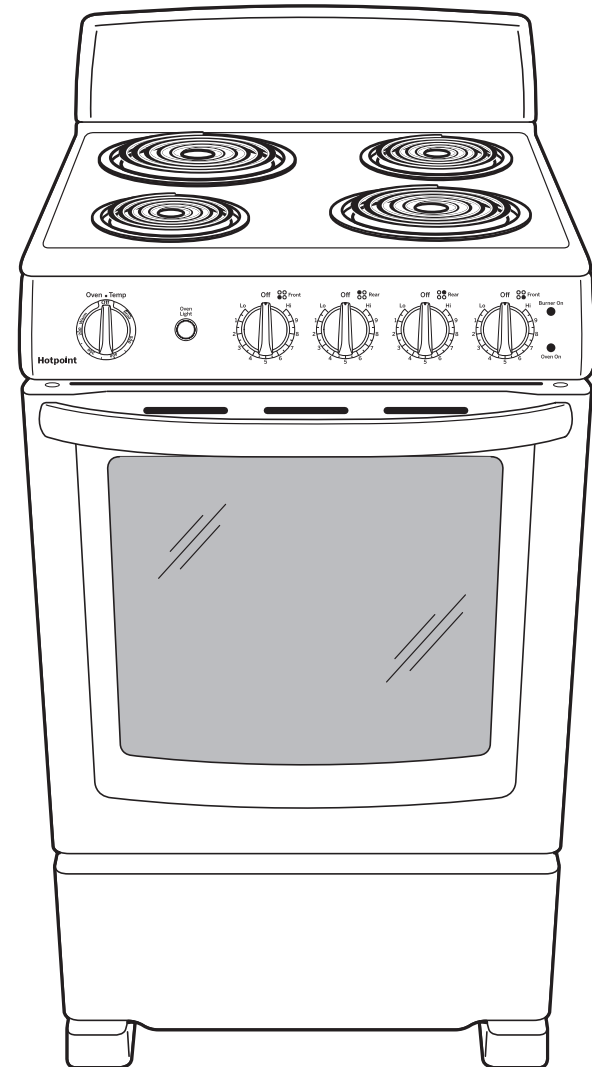
One-piece durable handle – Strong and long-lasting.

Chrome drip bowls – Contain spills and remove for easy cleaning.

Standard window – Provides a convenient viewing area to check the progress of food.

Cooktop "ON" Indicator Light – Know when an element is on.

Model RAS240MWW – White



Hotpoint®