

# HOTPOINT®

2003 Electric Ranges



**For now. For the long run.**

# Smooth Top Ranges

Hotpoint free-standing smooth top ranges provide quick cooking response. The fast, ribbon heating elements are positioned beneath the smooth cooktop and direct heat straight up to the pan. This sophisticated cooking method provides even heat for uniform cooking. Electronic oven controls provide an easy, two-step self-clean oven operation.



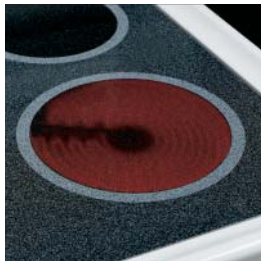
RB787WH



**5.0 cu. ft. capacity**  
Hotpoint's smooth top ranges have an oven that is big enough to handle just about any cooking need.



**Two-step self-clean**  
Simply latch the oven door and push the "Self-Clean" button. The oven does the rest.



**Ribbon heating elements**  
Unlike conventional elements, the heat comes from brightly glowing ribbon elements positioned beneath the smooth fingerprint-and scratch-resistant, patterned ceramic-glass surface.



**Touchpad controls**  
Set your oven to bake, broil, or self-clean quickly and easily—with the touch of a button.



**Frameless glass oven door**  
The full-width frameless door is easy to clean and offers contemporary styling.



**Removable full-width storage drawer**  
Conveniently store cooking utensils close at hand. Drawer removes easily for cleaning underneath.



**Electronic oven controls**  
Easy-to-use electronic oven controls provide:  

- Simple touchpad oven operation
- Auto Self-Clean
- Self-clean cycling light
- Preheated oven light with audible preheat signal
- Auto oven shut-off
- Electronic clock and timer
- Automatic oven timer
- Oven "ON" light
- Delay Bake option.

All features may not be available on all models.

Hotpoint free-standing coil ranges are perfect solutions for today's busy schedules! Self-clean ovens save you time and effort. On ranges with one-piece, upswept cooktops, a simple wipe-up does the job. White on white models are designed to complement the elegance and efficiency of today's kitchens.



RB757WH



### 5.0 cu. ft. capacity

Hotpoint's coil ranges now have an oven that is big enough to handle just about any cooking possibility.



### One-piece upswept cooktop

No cracks or crevices to trap dirt! The porcelain enamel-on-steel surface wipes clean easily.



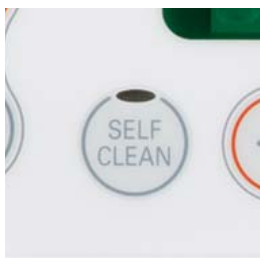
### Lift-up cooktop

Cooktop lifts up to allow easy clean-up of hard-to-reach spots underneath.



### Plug-in surface elements

Unplug to remove drip bowls and clean in the dishwasher. Recessed areas are designed to catch spillovers and make cleaning simple.



### Two-step self-clean

Simply latch the oven door and push the "Self-Clean" button. The oven does the rest.

### Calrod® surface elements

The design of the removable Calrod surface elements assures fast, clean cooking and even heat distribution.



### Frameless glass oven door

The full-width frameless door is easy to clean and offers contemporary styling.

### Removable full-width storage drawer

Conveniently store cooking utensils close at hand. Drawer removes easily for cleaning underneath.



### Electronic oven controls

Easy-to-use electronic oven controls provide:

- Simple touchpad oven operation
- Auto Self-Clean
- Self-clean cycling light
- Preheated oven light with audible preheat signal
- Auto oven shut-off
- Electronic clock and timer
- Automatic oven timer
- Oven "ON" light
- Delay Bake option.

All features may not be available on all models.

# 30" Electric Ranges

## 30" Free-Standing Electric Ranges

**These models** feature 5.0 cu. ft. capacity self-clean ovens; electronic clock and minute timer; two oven shelves; broiler pan; lift-off oven door; interior oven light; infinite heat controls; removable, full-width storage drawer.

### **RB787BH**

- Black on black model
- Smooth, easy-to-clean fingerprint-and scratch-resistant patterned ceramic-glass cooktop
- Two 8" and two 6" ribbon heating elements
- Hot surface indicator lights
- Auto oven shut-off
- Two-step self-clean
- Single oven control knob
- Frameless glass oven door with window
- Designer-style handle

### **RB787WH**

- White on white model
- Same features as RB787BH

### **RB787CH**

- Bisque on bisque model
- Same features as RB787BH

### **RB757WH**

- White on white model
- Porcelain-enameled upswept cooktop
- Auto oven shut-off
- Two-step self-clean
- Two 8" and two 6" plug-in Calrod® heating elements with one-piece chrome drip bowls
- Lift-up cooktop
- Frameless glass oven door with window
- Designer-style handle

### **RB757CH**

- Bisque on bisque model
- Same features as RB757WH

### **RB757BH**

- White or Bisque model
- Same features and appearance as RB757WH



**RB787BH**  
*Ribbon Range*



**RB787WH**  
*Ribbon Range*

## 30" Electric Ranges



**RB757WH**  
*Self-Clean Oven*



### Electronic oven controls

Easy-to-use electronic oven controls provide:

- Simple touch pad oven operation
- Auto Self-Clean
- Self-clean cycling light
- Preheated oven light with audible preheat signal
- Auto oven shut-off
- Electronic clock and timer
- Automatic oven timer
- Oven "ON" light
- Delay Bake option.



**RB757BH**  
*Self-Clean Oven*



# 30" Electric Ranges

## 30" Free-Standing Electric Ranges

**These models** feature standard-clean ovens, easy-to-clean, upswept, porcelain-enameled cooktop; 5.0 cu. ft. capacity; two oven shelves; plug-in Calrod® heating elements; one-piece removable chrome drip bowls; full-width removable storage drawer and broiler pan with grid.

### RB536WH

- White on white model
- Electronic clock/timer
- Lift-up cooktop
- Two 8" and two 6" plug-in heating elements
- Frameless glass oven door with window
- Designer-style handle

### RB536CH

- Bisque on bisque model
- Same features as RB536WH

### RB526H

- White on white or Bisque on bisque model
- Two 8" and two 6" plug-in heating elements
- Color-matched oven door with window
- Designer-style handle
- Electronic clock/timer

### RB525BH

- White or Bisque model
- One 8" and three 6" plug-in heating elements
- Frameless solid black glass oven door
- Chrome visor door handle

### RB525H (not shown)

- White or Almond model
- Same features and appearance as RB525BH, except has color-matched painted oven door



RB536WH



RB526H



RB525BH

## 24" Electric Range



**RA624F**

### **RA624F**

- White model
- Standard-clean oven
- One 8" and three 6" plug-in heating elements with chrome drip bowls
- Push-to-turn controls
- Lift-up cooktop with porcelain-enameled subtop
- Two heating element "ON" indicator lights
- 2 oven shelves
- Oven cycling light
- Broiler pan with grid

## 20" Electric Range



**RA620F**

### **RA620F**

- White or Bisque model
- Standard-clean oven
- One 8" and three 6" plug-in heating elements with chrome drip bowls
- Lift-up cooktop with porcelain-enameled subtop
- Two heating element "ON" indicator lights
- 2 oven shelves
- Oven cycling light
- Broiler pan with grid

# Electric Range Specifications

30" electric ranges	RB787WH RB787CH RB787BH	RB757WH RB757CH RB757BH	RB536WH RB536CH	RB526H	RB525BH	RB525H
<b>Features</b>						
Self-clean oven	●	●				
Oven capacity	5.0	5.0	5.0	5.0	5.0	5.0
Cleaning time	Variable	Variable				
Standard-clean oven			●	●	●	●
Oven shelves	2	2	2	2	2	2
One piece upswept cooktop	●					
Patterned cooktop	●					
Porcelain-enameled upswept cooktop		●	●	●	●	●
Lift-up cooktop		●	●	●	●	●
8-inch heating elements	2 (2000W)	2	2	2	1	1
6-inch heating elements	2 (1500W)	2	2	2	3	3
Ribbon heating elements	●					
Plug-in Calrod® heating elements		●	●	●	●	●
Removable one-piece drip bowls		Chrome	Chrome	Chrome	Chrome	Chrome
Electronic oven control	Easy Set III	Easy Set III				
Electronic clock and minute timer	●	●	●	●		
Electronic automatic oven timer	●	●				
Oven temperature display	●	●				
Auto oven shut-off	w/override	w/override				
Audible preheat signal	●	●				
Hot surface indicator lights	●					
Heating element "ON" indicator lights	●	●	●	●	●	●
Oven cycling light	●	●	●	●	●	●
Interior oven light	Control	Control	Switch	Switch		
Self-clean cool down time display	●	●				
Auto self-clean	●	●				
Delay Clean option	●	●				
Delay start	●	●				
Broiler pan	●	●	●	●	●	●
<b>Appearance</b>						
Color appearance*	WW CC BB	WW CC WH/CT	WW CC	WW/CC	WH/CT	WH/AD
Oven door with window	●	●	●	●		
Door handle	Designer-Style	Designer-Style	Designer-Style	Designer-Style	Visor	Visor
Lift-off oven door	White Glass Bisque Glass Black Glass	White Glass Bisque Glass Black Glass	White Glass Bisque Glass	CM*	Black Glass	CM*
Full-width removable storage drawer	●	●	●	●	●	●
<b>Weights and Dimensions</b>						
Overall oven interior dimensions (W x H x D in inches)	← 23 -3/4 x 19 x 18-1/2 →					
KW rating @ 240V	10.5	11.7	12.6	11.0	10.1	10.1
@ 208V	7.9	8.8	9.9	8.7	8.0	8.0
Amp rating @ 240v / 208v	40	40	40	40	40	40
Approx. shipping weight (lbs.)	166	155	158	150	150	155

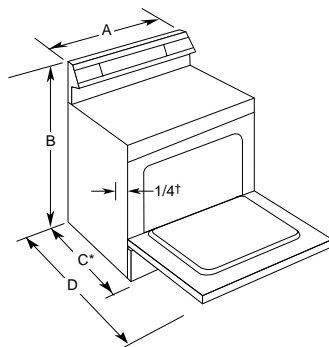
\*BB=Black with black door, WW=White with white door, CC=Bisque with bisque door, WH=White with black door, CT=Bisque with black door, AD=Almond with black door, CM=Oven door is color-matched to cooktop and drawer front (either White, Bisque or Almond).

## 30" free-standing range installation information (in inches)

\*Dimensions from wall to front of closed oven door handle: 28-1/2" on models RB787/757/536; 28-3/8" on RB526H and RB525BH; 28" on RB525H

†The range may be placed with a 0" clearance (flush) at the back wall and side walls if the range side trims extend beyond the cabinet fronts at least 1/4". Self-Clean models only.

**FULL ONE-YEAR WARRANTY** One year from date of original purchase, we will provide free of charge, parts and service labor in your home to repair or replace any part of the appliance that fails because of a manufacturing defect. Complete details from your dealer.



**Installation information:** Before installing, consult installation instructions packed with product for current dimensional data.

## 30" electric range dimensions (in inches)

Models	A Width	B Height	C* Depth	D Depth with door open
RB787WH	29-7/8	46-1/2	26-3/8	46-3/8
RB787CH	29-7/8	46-1/2	26-3/8	46-3/8
RB787BH	29-7/8	46-1/2	26-3/8	46-3/8
RB757WH	29-7/8	46-1/2	26-3/8	46-3/8
RB757CH	29-7/8	46-1/2	26-3/8	46-3/8
RB757BH	29-7/8	46-1/2	26-3/8	46-3/8
RB536WH	29-7/8	46-1/2	26-3/8	46-3/8
RB536CH	29-7/8	46-1/2	26-3/8	46-3/8
RB526H	29-7/8	46-1/2	26-3/8	46-3/8
RB525BH	29-7/8	46-1/2	26-3/8	46-3/8
RB525H	29-7/8	46-1/2	26-3/8	46-3/8

\*Dimensions from wall to front of closed oven door.

**Note:** 30" Electric Ranges conform to U.L. requirements for 0" spacing from walls below countertops. Allow 1-1/2" spacing from the side of the range to adjacent vertical walls above the cooktop surface.

### Receptacle locations

Locally approved flexible service cord or conduit must be used because terminals are not accessible after range installation. See shaded area in drawing for location of electrical outlet box. Recommended outlet locations allow range to be installed directly against rear wall.



Listed by  
Underwriters  
Laboratories



All Hotpoint ranges are equipped with an Anti-Tip device. The installation of this device is an important, required step in the installation of the range.

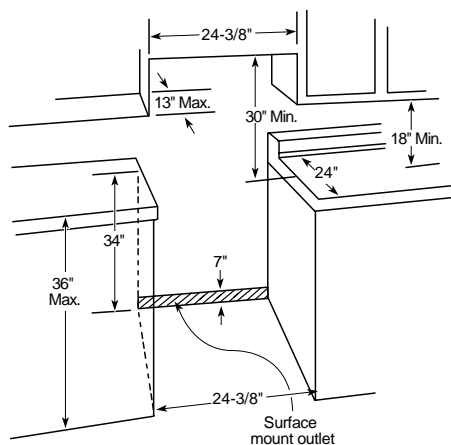
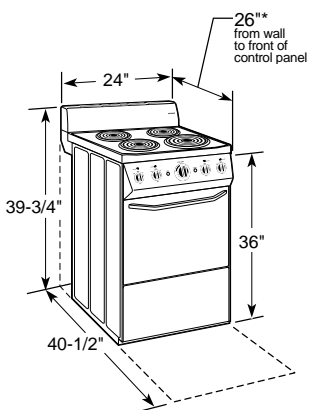


# Electric Range Specifications

Hotpoint 24" and 20" electric ranges	24" range RA624F	20" range RA620F
<b>Features</b>		
Oven cleaning	Standard	Standard
Oven shelves	2	2
Recessed lift-up cooktop	●	●
Porcelain-enameled subtop	●	●
8-inch heating elements	1 Plug-in	1 Plug-in
6-inch heating elements	3 Plug-in	3 Plug-in
Removable drip bowls	Chrome	Chrome
Push-to-turn controls	●	●
Heating element "ON" indicator light	●	●
Oven cycling light	●	●
Broiler pan with grid	●	●
<b>Appearance</b>		
Color appearance	WH*	WH/CT*
Porcelain-enameled oven door	Solid CM*	Solid CM*
Four leveling legs	●	●
Removable oven door	●	●
<b>Weights and Dimensions</b>		
Overall oven interior dimensions (W x H x D in inches)	18-1/2 x 13-3/4 x 16-3/4	15-3/4 x 13-3/4 x 16-3/4
KW rating @ 240V	8.43	8.43
@ 208V	6.47	6.47
Approx. ship. wt. (lbs.)	127	120

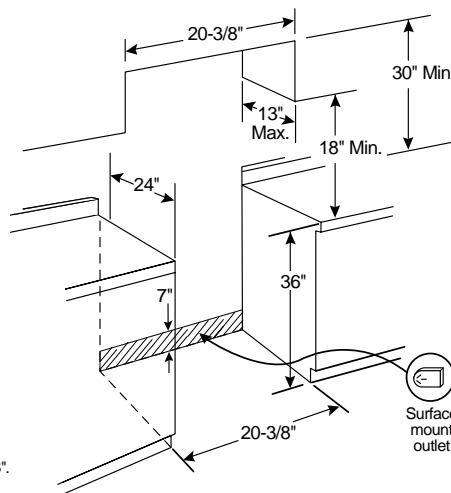
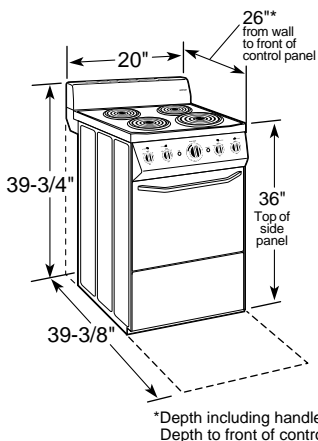
\*WH=White with color-matched door, CT=Bisque with color-matched door, CM=Oven door is color-matched to cooktop and drawer front (either White, Bisque or Almond).

## 24" free-standing range dimensions and installation information (in inches)



**Note:** 24" Ranges conform to U.L. requirements for 0" spacing from range to adjacent walls below countertop.

## 20" free-standing range dimensions and installation information (in inches)



**Note:** Compact 20" Electric Ranges conform to U.L. requirements for 0" spacing from range to adjacent walls below countertop.

### Receptacle locations

Locally approved flexible service cord or conduit must be used because terminals are not accessible after range installation. See shaded area in drawings for location of electrical outlet box. Recommended outlet locations allow range to be installed directly against rear wall.

**Installation information:** Before installing, consult installation instructions packed with product for current dimensional data.



All Hotpoint ranges are equipped with an Anti-Tip device. The installation of this device is an important, required step in the installation of the range.



Listed by  
Underwriters  
Laboratories

## GE Profile™—High-Performance Hoods



### JV666H

- Stainless steel
- 36" width
- Four-speed fan control
- Two halogen cooktop lights (50 watts each)
- Night light setting
- Vertical (round 410 CFM, rectangular 370 CFM) or rear (390 CFM) exhaust
- 3-1/4" x 10" rectangular duct (convertible to 7" round duct)

### JV665H (not shown)

- White on white, Bisque on bisque or Black on black

### JV635H

- Black on black (shown), Bisque on bisque or White on white
- 30" width
- Four-speed fan control
- Two halogen cooktop lights (50 watts each)
- Night light setting
- Vertical (round 410 CFM, rectangular 370 CFM) or rear (390 CFM) exhaust

### JV636H (not shown)

- Stainless steel

## GE Profile—Performance Hoods



### JV565H

- White on white (shown), Bisque on bisque or Black on black
- 36" width
- Two-speed fan control
- Vertical (round 250 CFM, rectangular 240 CFM) or rear (240 CFM) exhaust
- Two halogen cooktop lights (50 watts each)
- Convertible exhaust options (7" round, rectangular or non-vented)
- Rectangular damper included

### JV566H (not shown)

- Stainless steel

### JV535H (not shown)

- White on white, Bisque on bisque, or Black on black
- 30" width

### JV536H (not shown)

- Stainless steel

**JXDA22** round damper accessory, available at additional cost (Models JV666/665/636/635/566/565/536/535).

Not all features available on all models.

## GE Deluxe Hoods



### JV367H

- White on white (shown), Bisque on bisque or Black on black
- 36" width
- Rotary control
- Three-speed fan
- Convertible exhaust (shipped in non-vented configuration, convertible to 7" round or rectangular exhaust)
- Rectangular damper included

### JV347H

- White on white, Bisque on bisque or Black on black
- 30" width

## GE Standard Hoods



### JV338H (shown)

- White or Bisque
- 3-1/4" x 10" rectangular duct
- Rectangular damper included

### JN327H (not shown)

- White, Bisque or Almond
- Non-vented

**JXDA22** round damper accessory, available at additional cost (Models JV347/338).

**JXHC1** cord kit allows a receptacle in the cabinet over the range to accommodate either an over-the-range microwave oven or a standard hood.

Light bulbs not included.

Hoods	GE Profile						
	Width	High-Performance				Performance	
		30"	JV666H	JV665H	JV636H	JV635H	JV536H JV566H
<b>Features</b>	36"						
Two-speed fan control						•	•
Four-speed fan control		•	•	•	•		
Damper included (rectangular)		•	•	•	•	•	•
Optional damper accessory (round)		JXDA22	JXDA22	JXDA22	JXDA22	JXDA22	JXDA22
CFM/Sone rating:							
Back rectangular		390/7.5	390/7.5	390/7.5	390/7.5	240/4.5	240/4.5
Top round		410/7.0	410/7.0	410/7.0	410/7.0	250/4.5	250/4.5
Top rectangular		370/8.0	370/8.0	370/8.0	370/8.0	240/5.0	240/5.0
Removable grease filters		2 <sup>†</sup>	2 <sup>†</sup>	2 <sup>†</sup>	2 <sup>†</sup>	2 <sup>††</sup>	2 <sup>††</sup>
Cooktop light(s)*		2 Halogen (50 watt)	2 Halogen (50 watt)	2 Halogen (50 watt)	2 Halogen (50 watt)	2 Halogen (50 watt)	2 Halogen (50 watt)
Night light position on light switch		•	•	•	•		
3-1/4" x 10" rectangular duct		•	•	•	•	•	•
7" round duct		•	•	•	•	•	•
Non-vented						•	•
<b>Appearance</b>							
Color appearance**		SS	WW/CC/BB	SS	WW/CC/BB	SS	WW/CC/BB
<b>Weights &amp; Dimensions</b>							
Approx. shipping weight (lbs.)		35	35	30	30	30	30
<b>Power/Ratings</b>							
Current rating amps @ 120V		2.5	2.5	2.5	2.5	1.4	1.4

\*Light bulbs not furnished.

\*\*SS = Stainless steel, WW = White on white, CC = Bisque on bisque, BB = Black on black.

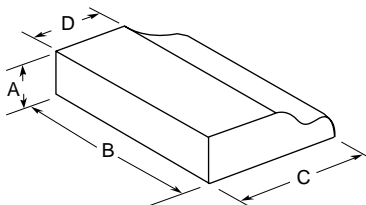
†WB02X11011 (30") or WB02X11012 (36") removable grease filter is available for additional cost (Models JV666, 665, 636, 635).

††WB02X11000 (30") or WB02X11001 (36") removable charcoal filter is available for additional cost (Models JV566, 565, 536, 535).

Call toll-free 800.626.2002.

#### Dimensions (in inches)

Model	A	B	C	D
JV666/JV665	7-1/4	35-7/8	20	12
JV636/JV635	7-1/4	29-7/8	20	12
JV536/JV535	7-1/4	29-7/8	20	12
JV566/JV565	7-1/4	35-7/8	20	12
JV347	5-1/2	29-7/8	17-1/2	12
JV338	5-1/2	29-7/8	17-1/2	12
JN327	5-1/2	29-7/8	17-1/2	12



#### JXHC1 Cord Kit

Allows a receptacle in the cabinet over the range to accommodate either an over-the-range microwave oven or a standard hood.

Hoods	GE®			
	Width	Deluxe	Standard	
		30"	JV347H	JV338H
36"	JV367H			
<b>Features</b>				
Two-speed fan control		•	•	
Three-speed fan control		•		
Vertical exhaust (CFM)		200	170	
Rear exhaust (CFM)		180	160	
Damper included (rectangular)		•	•	
Optional damper accessory (round)		JXDA22	JXDA22	
Sones rating:				
Top exhaust		6.0	5.5	
Rear exhaust		7.0	7.0	
Removable grease filters		Disposable 1-Pc. Filter <sup>†</sup>	1 <sup>†</sup>	Disposable 1-Pc. Filter <sup>†</sup>
Filter size (sq. in.)		90	90	90
Cooktop light(s)*		1	1	1
3-1/4" x 10" rectangular duct		•	•	
7" round duct		•	•	
Non-vented				•
<b>Appearance</b>				
Color appearance**		WW/CC/BB	WW/CC	WW/CC/AA
<b>Weights &amp; Dimensions</b>				
Approx. shipping weight (lbs.)		20	17	19
<b>Power/Ratings</b>				
Current rating amps @ 120V		2.5	2.5	2.5

\*Light bulbs not furnished.

\*\*WW = White on white, CC = Bisque on bisque, BB = Black on black, W = White, C = Bisque, A = Almond.

†WB02X9381 replacement grease filter and WB02X10700 replacement charcoal filter are available for additional cost. Call toll-free 800.626.2002 (Models JV367/347/338 and JN327).

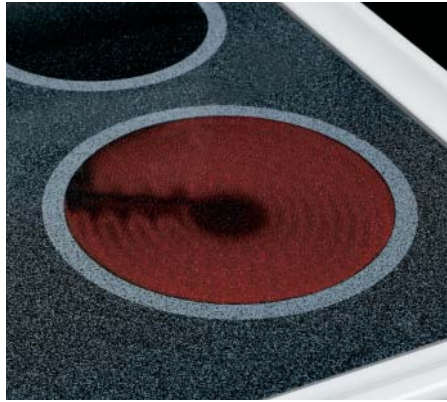
## Consumer Services

*Hotpoint offers performance, versatility and cleanability features to meet your every need.*



### 5.0 cu. ft. capacity

Hotpoint's smooth top ranges have an oven that is big enough to handle just about any cooking possibility.



### Ribbon heating elements

Unlike conventional elements, the heat comes from brightly glowing ribbon elements positioned beneath the smooth, fingerprint- and scratch-resistant, patterned ceramic-glass surface.



### Frameless glass oven door

The full-width frameless door is easy to clean and offers contemporary styling.

Not all features available on all models  
\*See warranty for details.

Visit us at [hotpoint.com](http://hotpoint.com)



### We're surfer-friendly!

Our comprehensive Web Site provides you with virtually everything you need to know about Hotpoint® appliances, parts, accessories and service. And, it's surfer-friendly, so your searches won't be endless—they'll be effortless!



### The GE Answer Center® Information Service 800.626.2000 (GEAppliances.com)

Questions? Call any time.

Before or after you buy any GE or Hotpoint product, ask us about the features, product comparisons, pricing and where to find it. Call us any time. We never close.

### Industry-leading support—

#### GE Genuine Parts 800.626.2002

Enhance, upgrade or fix it. Check out our accessories!

Accessories can make great GE or Hotpoint products even better. Replacement parts for GE, Hotpoint and most other brands, too. Fast delivery, convenient, direct.

#### GE Appliance Service 800.432.2737 (800.GE.CARES)

#### Same day or next day service.

If you ever need product service, we'll come where and when you want—at your convenience. We're the largest manufacturer-owned service organization in the appliance industry. Same or next day service in most cases.

# HOTPOINT®