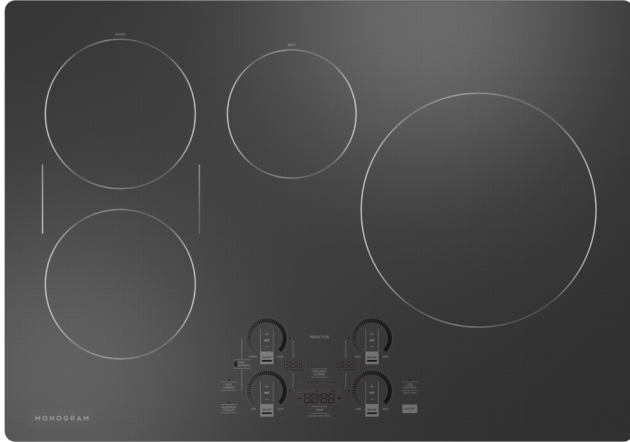


MONOGRAM 30" INDUCTION COOKTOP

ZHU30RDTBB



4 INDUCTION COOKING ELEMENTS

This 4-burner induction cooktop provides rapid heat that quickly responds when you change the temperature. Electromagnetic technology heats the pan, not the cooktop surface.

POWER BOIL ON TWO TRI-RING ELEMENTS

Cook faster with a variety of different pan sizes on this powerful rapid boil electric cooktop with two 3,000-watt flexible elements.

PRECISION TEMPERATURE CONTROL

Set your burner to an exact degree, not just high, medium or low, with Precision Temperature Control. Using a smart pan, the cooktop maintains a specific temperature – from 100 to 500 degrees. Perfect for sauces, candies and frying.

EASY CLEAN SURFACE WITH BEVELED EDGES

A smooth glass surface with beveled edges, glide touch controls and induction technology that ensures spills won't burn makes this an easy clean cooktop.

GLIDE TOUCH CONTROLS

Choose from 19 different heat settings with one easy swipe for precise heat control on this easy-to-clean induction cooktop.

SYNCHRONIZED ELEMENTS

Connect and control two cooktop burners as one to create a bigger cooking surface for pans such as griddles.

GUIDED COOKING

Follow along a video-guided recipe and your burners will automatically adjust time and temperature using a smart pan. Experience the joy of a perfectly cooked meal, from scallops to scrambles. Pan sold separately.

KEEP WARM SETTING

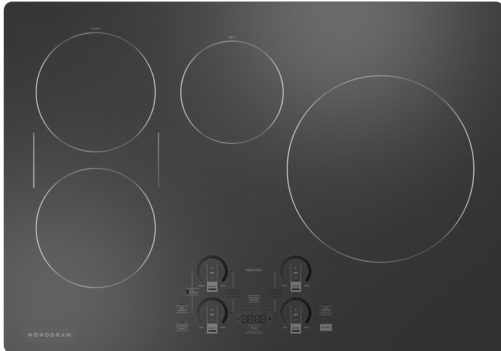
This electric cooktop's 7" element features a range of heat – from a dedicated "Keep Warm" setting to the power to boil water.

CONTROL LOCK

Protect against unintentionally turning your cooktop on with a safety control lock setting.

HOT SURFACE INDICATOR LIGHTS

A quick glance is all it takes to know when elements are hot on this induction cooktop with hot surface indicator lights.



SPECIFICATIONS

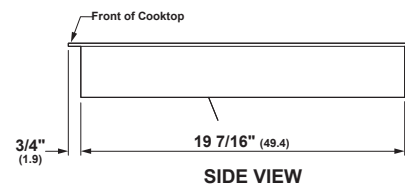
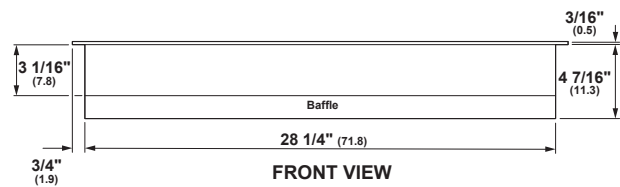
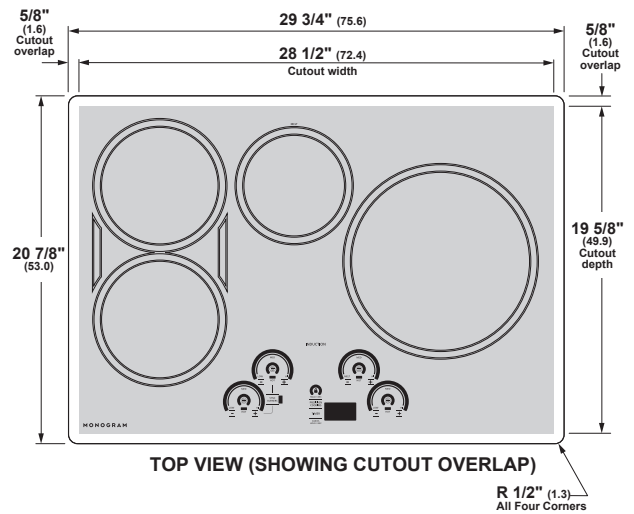
Overall Width	29 3/4" (75.6 cm)
Overall Depth	20 7/8" (53.0 cm)
Overall Height	4 5/8" (11.8 cm)
Cut-out Width	28 1/2" (72.4 cm)
Cut-out Depth	19 5/8" (49.9 cm)
Conduit Length	48" (122 cm)
Electrical Rating	7700W at 240V/60Hz 6900W at 208V/60Hz
Recommended Circuit Breaker Size	40 Amps
Net Weight	45 lbs. (20.4 kg)
Approx. Shipping Weight	51 lbs. (23.1 kg)

OPTIONAL ACCESSORIES

Precision Cooking Kit	JXPROBE1
Flush-Mount Kit	JXFLUSH1
Griddle	JXGRIDL1

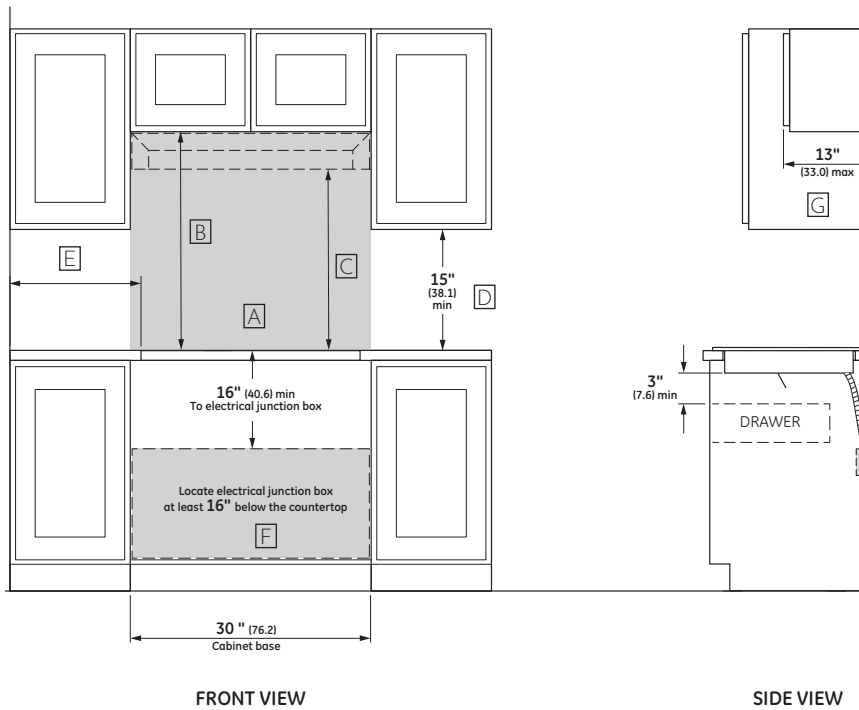
For more details refer to the installation instructions for this product.

OVERALL DIMENSIONS



Dimensions in parentheses are in centimeters unless otherwise noted. Actual product dimensions may vary due to manufacturing tolerances.

INSTALLATION

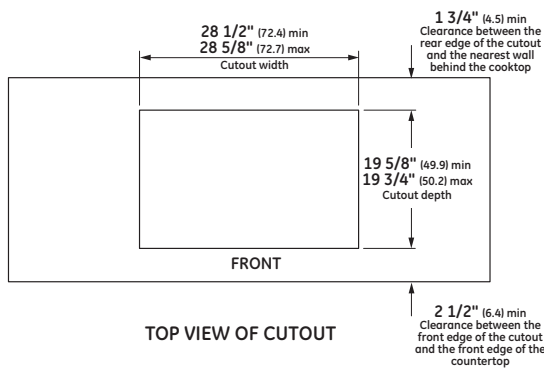


HELPFUL TIPS

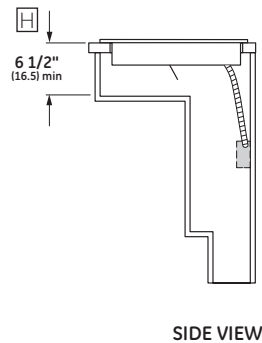
- A** Wall coverings, countertop and cabinets surrounding cooktop must be able to withstand temperatures of up to 200°F.
- B** Minimum 30" clearance from countertop to unprotected overhead surfaces, when no ventilation hood or microwave oven is installed.
- C** When using a ventilation hood or microwave oven above the cooktop, see hood or microwave installation instructions for minimum overhead clearance dimensions.
- D** Minimum 15" of clearance from countertop to nearest overhead surface on both sides of cooktop. Make sure to include any lighting rail covers in calculation.
- E** Minimum 2" distance from edge of cutout to nearest adjacent side wall below upper cabinets.
- F** Install an approved junction box where it can be easily reached through the front of the cabinet where the cooktop is located. **IMPORTANT:** For serviceability, the junction box must be located where it will allow considerable slack in the 48" long conduit.
- G** Maximum 13" depth of unprotected overhead surfaces, when no ventilation hood or microwave oven is installed.
- H** For Americans with Disabilities Act (ADA) forward approach installation: Minimum 6 1/2" (16.5) clearance between the top of the countertop and the enclosure. The enclosure must be made of at least 1/4" thick wood material, and must have an access panel installed in order to provide access to the junction box and hold-down brackets, and to allow for service of the cooktop.

For more details refer to the installation instructions for this product.

COUNTERTOP CUT-OUT DIMENSIONS

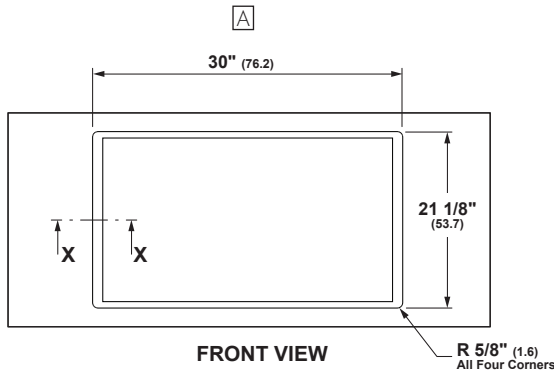


ADA INSTALLATION

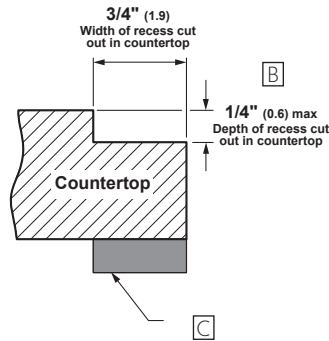


Dimensions in parentheses are in centimeters unless otherwise noted.

FLUSH MOUNT INSTALLATION



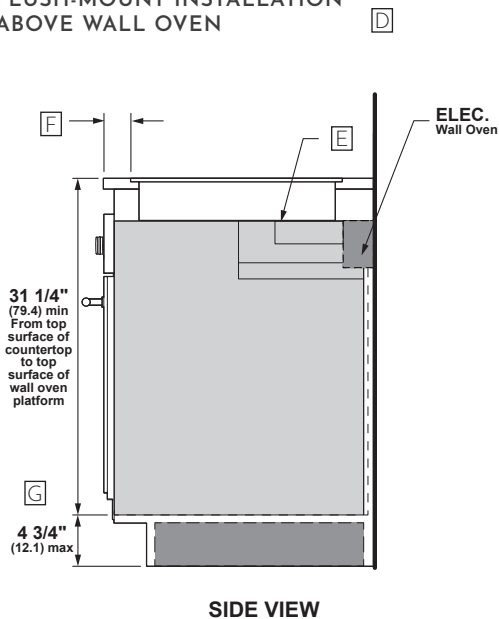
TOP VIEW OF CUTOUT



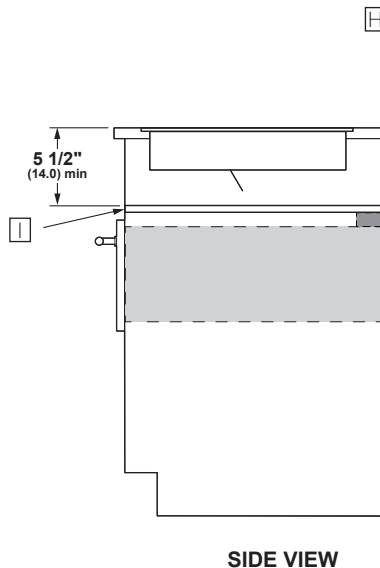
SECTION X-X

Through countertop showing
depth of recess cut out for
flush-mount

**FLUSH-MOUNT INSTALLATION
ABOVE WALL OVEN**



**FLUSH-MOUNT INSTALLATION
ABOVE WARMING DRAWER**



For more details, refer to the installation instructions for this product on Monogram.com. Dimensions in parentheses are in centimeters unless otherwise noted.

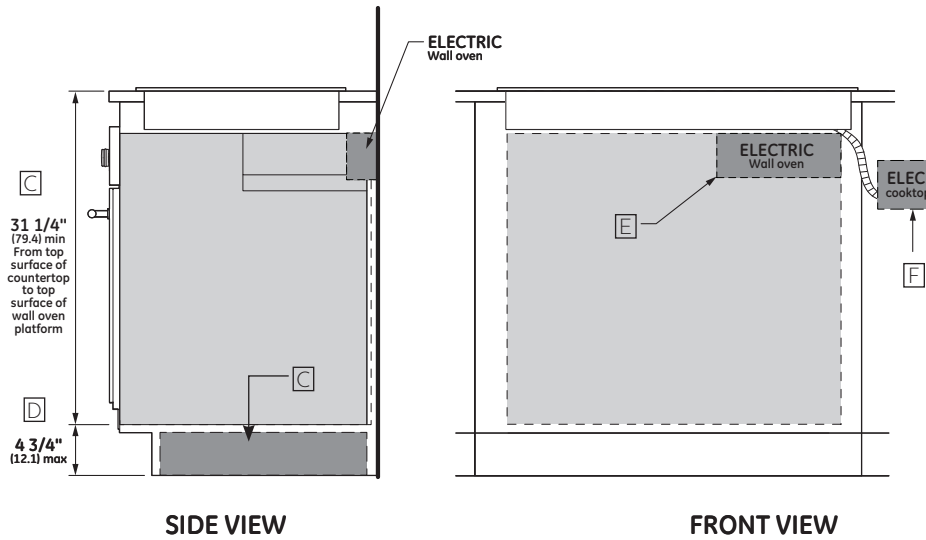
HELPFUL TIPS

- A** The JXFLUSH1 kit is required to flush-mount the cooktop into the countertop. Read all installation instructions supplied with cooktop and kit before beginning installation.
- B** To avoid hot cookware from contacting the countertop surface, the cooktop should be installed 1/32" higher than the countertop.
- C** Use strips of wood or solid-surface countertop material to reinforce the countertop below the flush-mount recess cut out. For an island or peninsular installation secure strips to all four sides, otherwise just secure strips to the front and back under the cutout.
- D** Note this cooktop is only approved for installation above specific wall ovens as labeled on this unit.
- E** When installing this cooktop above a single wall oven, do not install the baffle.
- F** When this cooktop is installed above a flush-mounted wall oven, the clearance from the front edge of the countertop to the front edge of the cooktop cutout is minimum 2-1/2" plus the wall oven clear setback.
- G** The wall oven platform must be a minimum height of 4-3/4" from the floor to ensure that the handle does not hit the floor when the door is opened.
- H** Warming drawers are approved for installation below only certain specified cooktop models. See the label attached to the top of the warming drawer or underside of the cooktop for approved combinations.
- I** When installing the cooktop above a warming drawer, a solid barrier must be installed at least 5-1/2" from the top of the countertop. Use any solid material such as 1/4" thick plywood. Allow at least 1/4" air gap between the barrier and the top of the warming drawer.

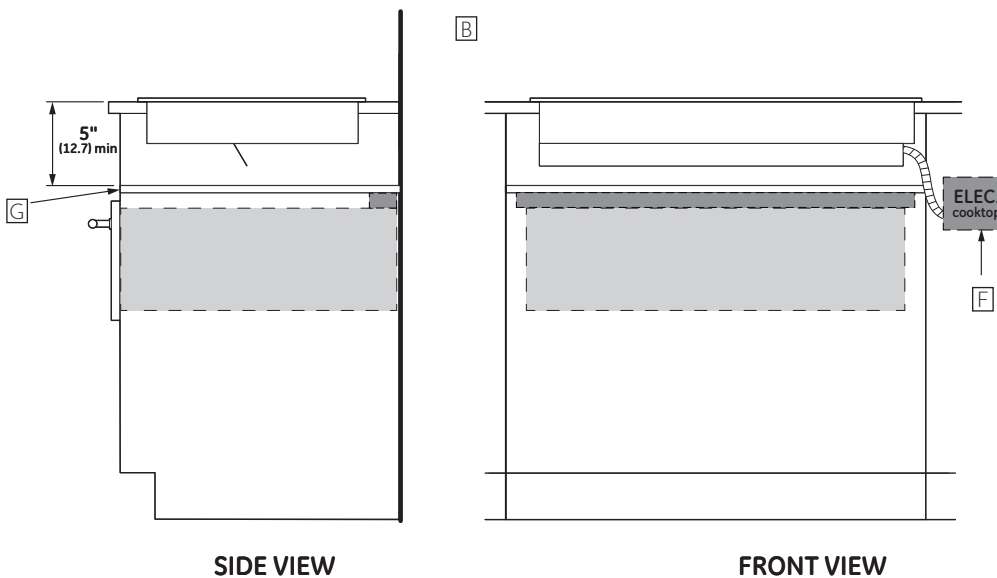
For more details refer to the installation instructions for this product

INSTALLATION ABOVE WALL OVEN ^A

*When installing this cooktop above a single wall oven, do not install the baffle.



INSTALLATION ABOVE WARMING DRAWER



HELPFUL TIPS

- ^A Note this cooktop is only approved for installation above specific wall ovens as labeled on this unit.
- ^B Warming drawers are approved for installation below only certain specified cooktop models. See the label attached to the top of the warming drawer or underside of the cooktop for approved combinations.
- ^C Maintain a minimum distance of 31-1/4" from the top surface of the countertop to the wall oven platform to ensure that the cooktop and wall oven do not interfere with each other (see picture).
- ^D The cooktop platform must be a minimum height of 4-3/4" from the floor to ensure that the handle does not hit the floor when the door is opened.
- ^E Junction box location for wall oven (may also be located in adjacent cabinet).
- ^F Electrical connection for cooktop must be located in an accessible adjacent location to the right (may also be located in adjacent cabinet).
- ^G When installing the cooktop above a warming drawer, a solid barrier must be installed at least 5" from the top of the countertop. Use any solid material such as 1/4" thick plywood. Allow at least a 2" air gap between the front of the barrier and the inside of the cabinet and at least 1/4" air gap between the barrier and the top of the warming drawer.

For more details refer to the installation instructions for this product

For more details, refer to the installation instructions for this product on Monogram.com. Dimensions in parentheses are in centimeters unless otherwise noted.