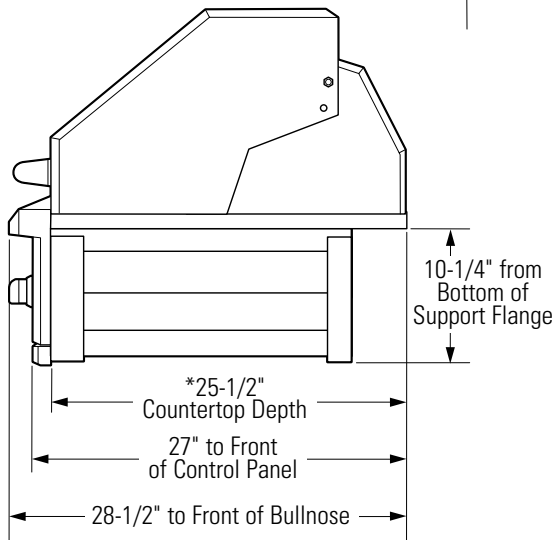
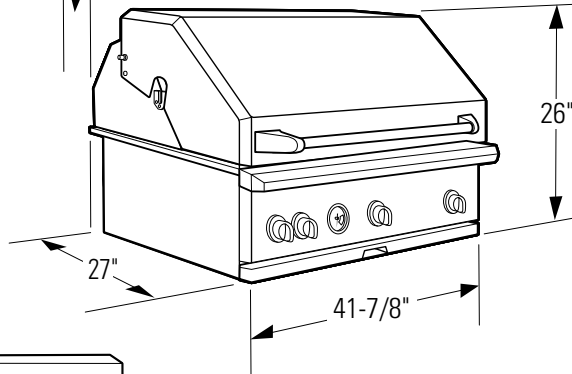


ZGG420NBPSS - Natural Gas Built-in Outdoor Grill

ZGG420LPSS - LP Gas Built-in Outdoor Grill

Dimensions and Installation Information (in inches)

12" Min. to Combustibles
4" Min. Clearance for Lid to Non-Combustibles



*The weight of the grill is fully supported by the side trims. The back of the grill overlaps the back edge of the cutout.

** Built-In Monogram Outdoor grills must use Grill Liner accessory ZX42JR for 42" Built-in to install into combustible enclosures. Please refer Grill Liner instructions for the cut-out dimensions.

For answers to your Monogram,® GE Profile™ or GE® appliance questions, visit our website at geappliances.com or call GE Answer Center® service, 800.626.2000.



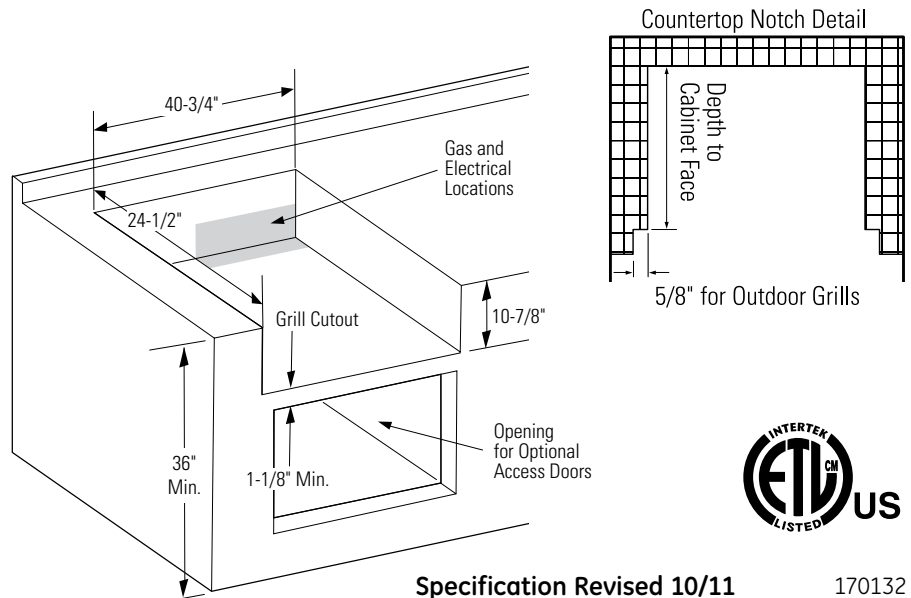
imagination at work

Outdoor Built-in Cooktop

These grills are designed to be installed into a non-combustible enclosure.

To install into combustible enclosures Built-In Monogram Outdoor grills must use Grill Liner accessory ZX42JR for 42". Please refer to the Grill Liner instructions for the details.

- The grill drops into the opening and hangs from the side flanges. It does not require support from the bottom.
- The cutout must be completely covered with non-combustible material such as stone, brick, ceramic tile, concrete board, etc. The countertop surface and edges must be flat and level.
- If the countertop has an overhang, it must be notched or cut back flush with the front face of the cabinet below.
- Allow at least 12" minimum clearance at the back of the grill when the exhaust is directed to a window or surface that is difficult to clean. Allow at least 4" clearance behind the grill to allow the hood lid to open. See notched detail below.
- Allow 12" minimum clearance on both sides and the back of the grill to adjacent vertical combustible construction.
- These gas grills cannot be used below any type of overhead construction.
- These grills are designed for outdoor use only. Do not locate the cooktop in a building, garage or other enclosed or semi-enclosed area.
- Locate the backside of the grill away from prevailing winds and avoid cooking in windy conditions.



Specification Revised 10/11

170132



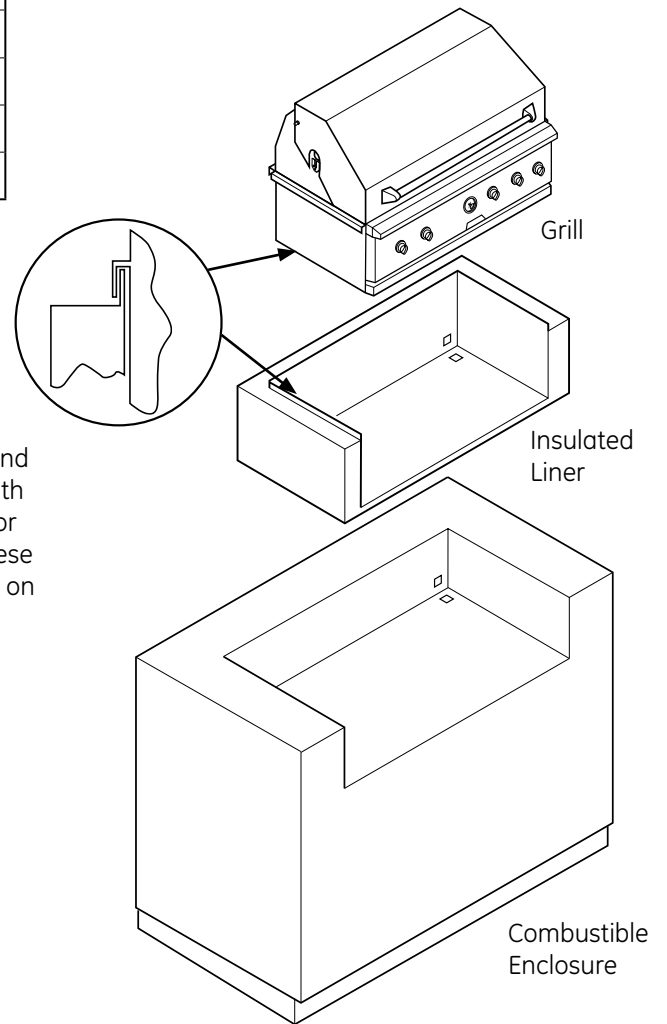
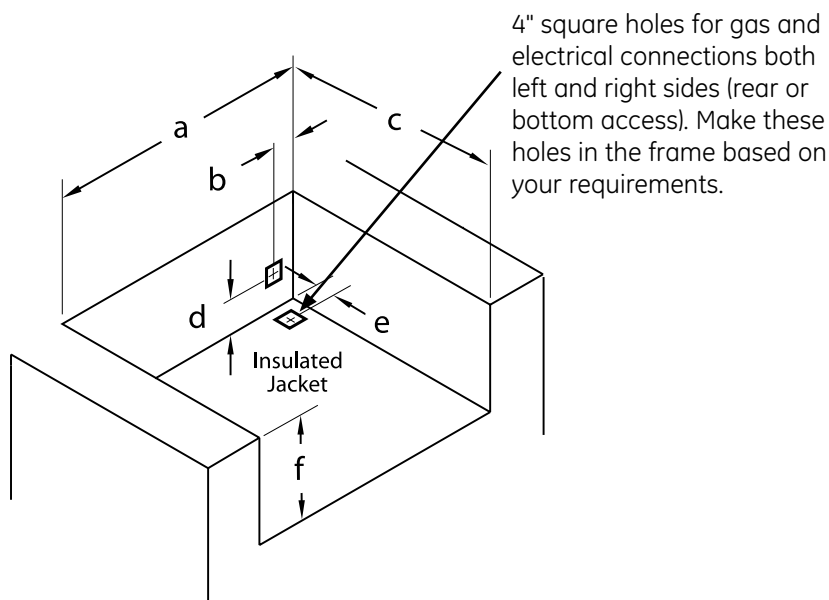
ZGG420NBPSS - Natural Gas Built-in Outdoor Grill

ZGG420LPSS - LP Gas Built-in Outdoor Grill

Dimensions and Installation Information (in inches)

Built-in grill cut-out dimensions to install into combustible enclosures with grill liner accessory (not provided with built-in grill)

Description	Model	Dimensions with Insulated Jacket Installed					
		a	b	c	d	e	f
30" Grill Liner	ZX30JR	36"	5"	26-1/2"	4-1/2"	3	11-5/8"
42" Grill Liner	ZX42JR	48"	5"	26-1/2"	4-1/2"	3	11-5/8"
54" Grill Liner	ZX54JR	60"	5"	26-1/2"	4-1/2"	3	11-5/8"



For answers to your Monogram,® GE Profile™ or GE® appliance questions, visit our website at geappliances.com or call GE Answer Center® service, 800.626.2000.

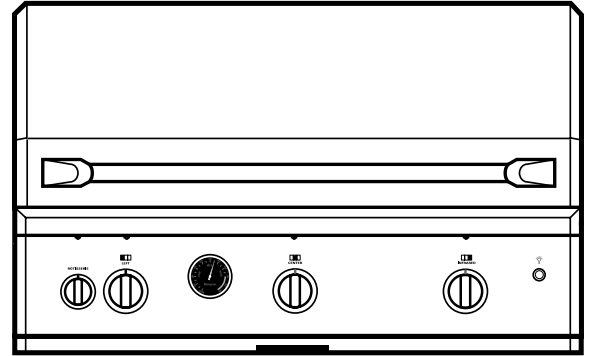


ZGG420NBPSS - Natural Gas Built-in Outdoor Grill

ZGG420LBPSS - LP Gas Built-in Outdoor Grill

Features and Benefits

- Heavy-duty, 304 stainless steel construction with professional styling complements Monogram ranges and other cooking products, allowing a seamless transition between indoor and outdoor spaces. A double-wall design insulates the canopy to minimize heat loss and allow for cooler surfaces
- 25,000-BTU, stainless steel burners offer precise control across a wide spectrum of temperature settings while Gourmet Radiant™ trays ensure even heat distribution and reduce flare-ups
- Ceramic-infrared rotisserie burner allows you to slow-roast lamb, pork and other meats to succulent perfection. The rotisserie motor assembly plugs in and detaches easily for convenient cooking and storage. Stainless steel spit rod and forks included
- 23,000-BTU ceramic infrared searing burner delivers the high radiant heat needed to sear the outside of foods, locking in natural juices and flavors. Adjustable output allows you to cook everything from thick fillets of steak to delicate fish and vegetables
- Integrated illumination sets the stage for nighttime grilling with red LED lights above the knob controls, along with interior halogen lighting
- Stainless steel, drop-in smoker box infuses foods with flavorful aromas, such as mesquite or hickory
- Model ZGG420NBPSS - Natural gas
- Model ZGG420LBPSS - Liquid propane



Monogram grills are factory-set for Natural or LP gas operation. Be sure to order the correct model for the installation situation.

Conversion kits (WB28X10116 - LP to Natural gas and WB28X10117 - Natural gas to LP) are available if the wrong fuel type is ordered.

High altitude kit (WB28X10119) is also available for operation above 2,000 feet. Order WB28X10118 to change the connection from LP portable (20 lb. tank) to whole house stationary tank or to change a stationary tank to portable.

Conversion kits must be installed by a qualified service technician at additional cost. Order these kits from your Monogram supplier.

For answers to your Monogram,® GE Profile™ or GE® appliance questions, visit our website at geappliances.com or call GE Answer Center® service, 800.626.2000.



imagination at work