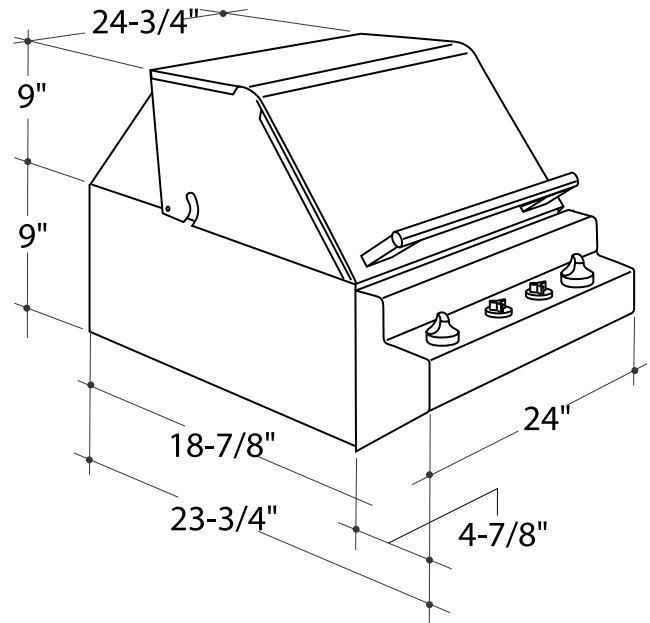


ZGG24L20BSS GE Monogram® 24" Outdoor Cooking Center

Dimensions and Specifications (in inches)

24" Liquid Propane Gas Model: 2 Grill Burners

- Monogram Outdoor Cooking Centers are designed to be installed on a grill cart or into an enclosure.
- **These cooking centers are designed for outdoor use only.** Do not locate the grill in a building, garage or other enclosed area.
- Ensure that fresh air ventilation is adequate.
- Consider exposure to wind and proximity to traffic paths.
- The minimum clearances to combustibles must be maintained at all times.
- Do not install a grill below overhead unprotected combustible construction.
- The installation must conform to local codes or in the absence of local codes, with the national fuel gas code, ANSI Z223 latest edition.



Note: Reference Monogram Outdoor Cooking Center Installation Instructions, packaged with product, for complete details.

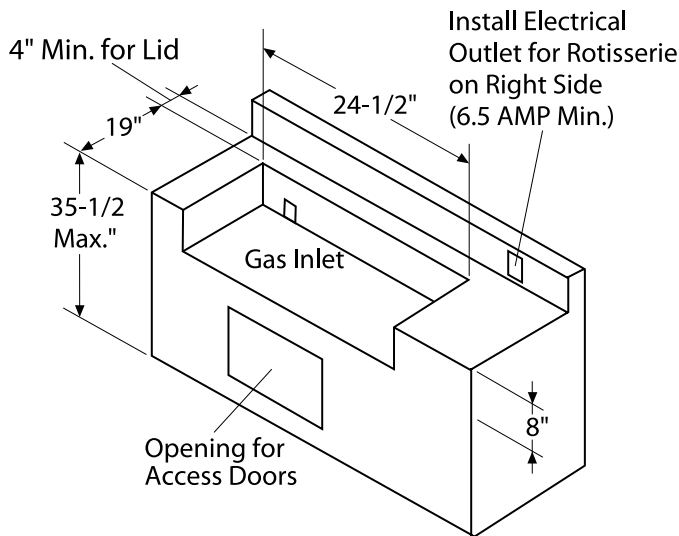
For answers to your Monogram®, GE Profile™ or GE® appliance questions, visit our website at ge.com or call GE Answer Center® service, 800.626.2000.



ZGG24L20BSS GE Monogram® 24" Outdoor Cooking Center

Dimensions and Specifications (in inches)

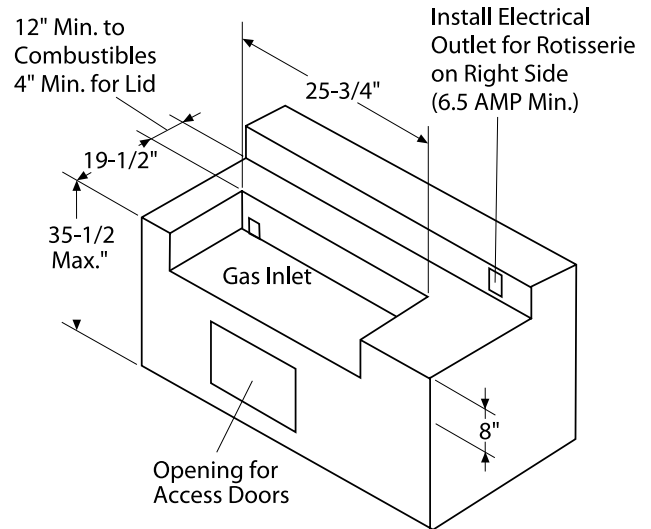
For installation using non-combustible materials.



Installation in a combustable enclosure.
ZX24JBSS insulated jacket is required.

- The insulated jacket must be supported from the bottom by a solid deck or ledge on each side beneath the jacket.
- Construct the enclosure as shown and place the insulated jacket into the enclosure. Place the cooking center into the jacket. No installation hardware is required.

For installation using combustable materials.
Requires ZX24JBSS insulation jacket.



Installation in a non-combustible enclosure

- In a non-combustible (masonry) enclosure, the grill drops into the opening. A deck or ledge on each side is required for support from the bottom.

Clearances - All Models

- Allow 3" at the rear for lid clearance.
- Allow at least 12" clearance at the back of the grill when exhaust is directed to a window or a surface that is difficult to clean.
- Allow at least 6" clearance on each side to any non-combustible material located above the cooking surface for countertop space. Rotisserie models also require 6" clearance for placing and handling the motor and skewer.
- Allow at least 12" clearance on each side to combustable vertical materials.

For answers to your Monogram,® GE Profile™ or GE® appliance questions, visit our website at ge.com or call GE Answer Center® service, 800.626.2000.



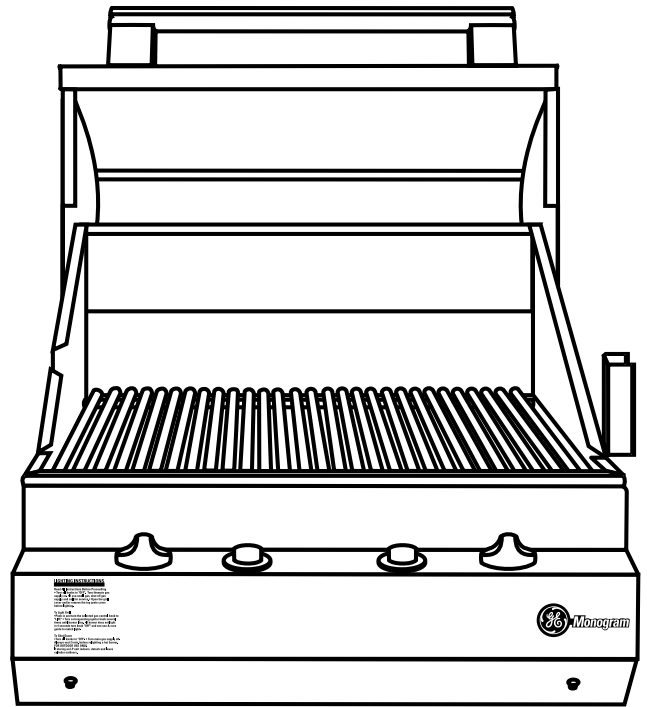
imagination at work



ZGG24L20BSS GE Monogram® 24" Outdoor Cooking Center

Features and Benefits

- Liquid Propane Gas Model
- 2 (15,000 BTU) Stainless Steel Gas Grill Burners
- Rotisserie Burner
- Rotary Multi-Spark Piezo Ignition
- Brass Control Valves
- Steel, Porcelain-Enameled Grill Grates
- Stainless Steel Tubular Handle
- Model ZGG24L20BSS - Stainless steel



For answers to your Monogram,® GE Profile™ or GE® appliance questions, visit our website at ge.com or call GE Answer Center® service, 800.626.2000.



imagination at work