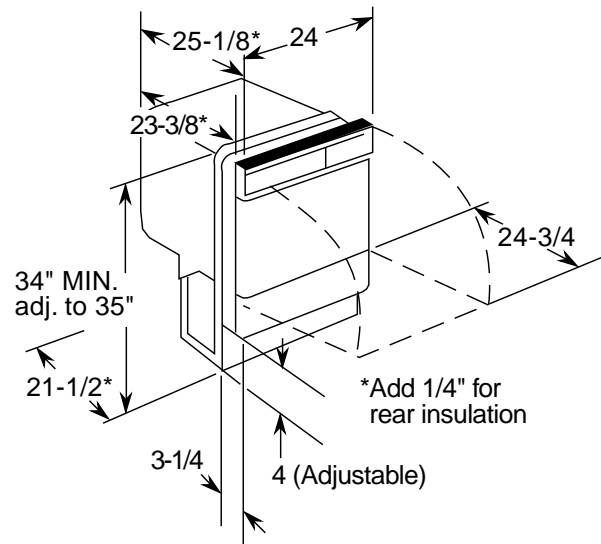


HOTPOINT

HDA3430ZWW—Built-In Dishwasher

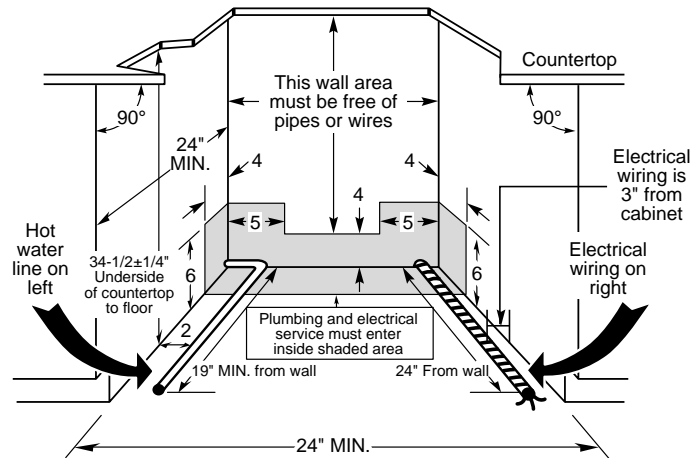
Dishwasher Dimensions (in inches)



Electrical Rating

Voltage AC.....120
 Hertz60
 Total connected load amperage.....8.6
 Calrod® heater watts.....500
 For use on adequately wired 120-volt, 15-amp circuit having 2-wire service with a separate ground wire. This appliance must be grounded for safe operation.

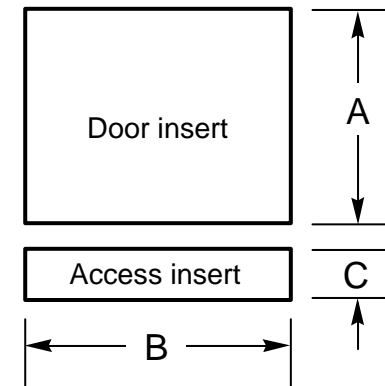
Installation Information (in inches)



Note: Dishwasher must not be installed more than 10' from sink for proper drainage. All plumbing and electrical work must be in accordance with local codes. Dishwasher includes drain hose and leveling legs.

Installation Information: Before installing, consult installation instructions packed with product for current dimensional data.

Wood Insert Cut-Out Dimensions (in inches)



Models/Kits	A	B	C	Panel Thickness
GPF325 Kit	18-7/8"	23-9/16"	3-11/16"	1/4"
GPF375 Kit	18-15/16"	23-5/8"	4-1/4" to 3-3/4"	3/4"

*Bottom of panel must be notched 1-1/2" x 1/2" to clear across panel

**Adjustment required to match adjacent cabinets fronts due to leveling leg adjustment, 4" nominal.

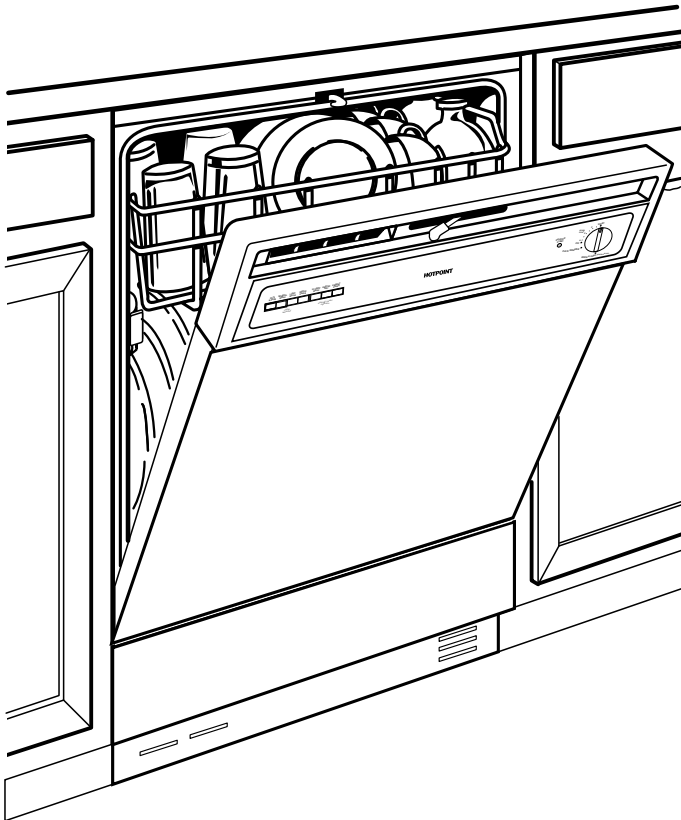
For answers to your Monogram®, GE Profile Performance Series™, GE Profile™, GE, Hotpoint and RCA appliance questions, call GE Answer Center® service, 800.626.2000.



Listed by Underwriters Laboratories

HOTPOINT

HDA3430ZWW—Built-In Dishwasher



Features and Benefits

- New Power Wash II System
- Self-Cleaning Filter
- 6 Cycle Selections: Pots & Pans, Normal Wash, Water Saver, Light Wash Cycle, Plate Warmer (Dial), Rinse Only/Hold (Dial)
- Options: Wash Temp Boost, Heated Dry On/Off, Energy Saver Dry, 6-Hour Delay Start
- Super Upper Rack
- Deluxe Flat Lower Rack
- Super Silverware Basket
- Standard Sound Insulation Package
- Trimless Appearance
- Model HDA3430ZWW—White on White
- Model HDA3420ZWW—Black on Black