

CGS985SETSS

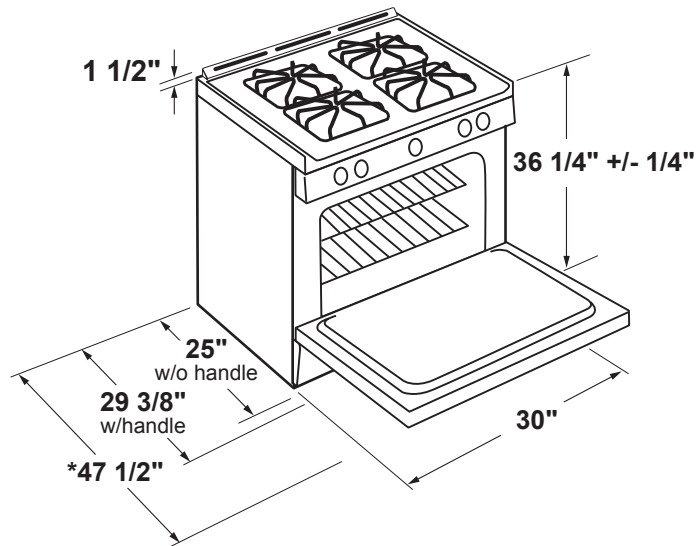
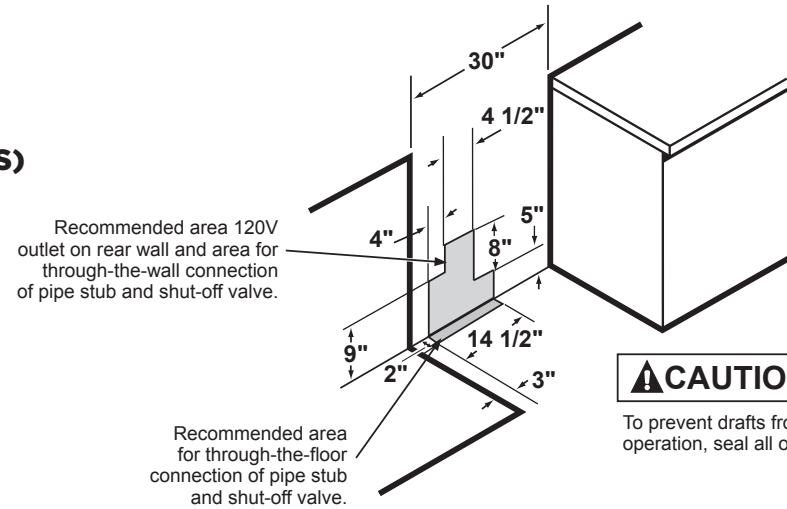
GE Café™ Series 30" Slide-In Front Control Range with Baking Drawer

DIMENSIONS AND INSTALLATION INFORMATION (IN INCHES)

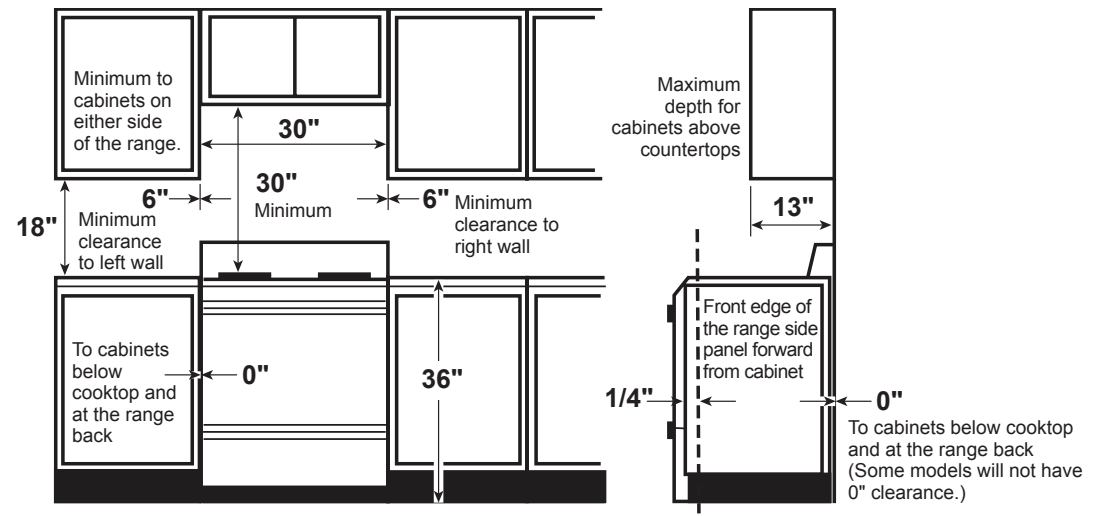
ELECTRICAL REQUIREMENTS: 120v; 60Hz, 15A

INSTALLATION INFORMATION: Before installing, consult installation instructions packed with product for current dimensional data.

Gas Pipe and Electrical Outlet Locations



*Dimensions are referenced from the point at the back of the range that will contact the rear wall first.



For answers to your Monogram, GE Café™ Series, GE Profile™ Series or GE Appliances product questions, visit our website at geappliances.com or call GE Answer Center® Service, 800.626.2000.



All GE ranges are equipped with an Anti-Tip device. The installation of this device is an important, required step in the installation of the range.



CGS985SETSS

GE Café™ Series 30" Slide-In Front Control Range with Baking Drawer

FEATURES AND BENEFITS

Gas convection oven - Convection heating circulates the air to keep the heat consistent, enhancing the baking or roasting results

5.4 cu. ft. oven capacity - Enough room to cook an entire meal at once

Baking drawer - Offers an additional 1.0 cu. ft. of capacity for convenient baking from 140° to 450°

Self-Clean Oven - Conveniently cleans the oven cavity without the need for scrubbing

Non-Stick Griddle - Provides a flat, non-stick surface for cooking and warming all types of foods

20,000 BTU tri-ring burner - Three-in-one burner is designed for accelerated boiling and gentle simmering

Center oval burner - oval fifth burner in the center of the cooktop is large to accommodate odd-sized cookware or griddles

Precise Simmer burner - Allows for low, even heat distribution that is ideal for delicate foods and sauces

Black gloss oven interior - Black oven interior adds a stylish touch to any kitchen

Model CGS958SETSS - Stainless steel

