

GLD4908/68T

GE® Tall Tub Built-In Dishwasher

Dimensions and Installation Information (in inches)

Electrical Rating

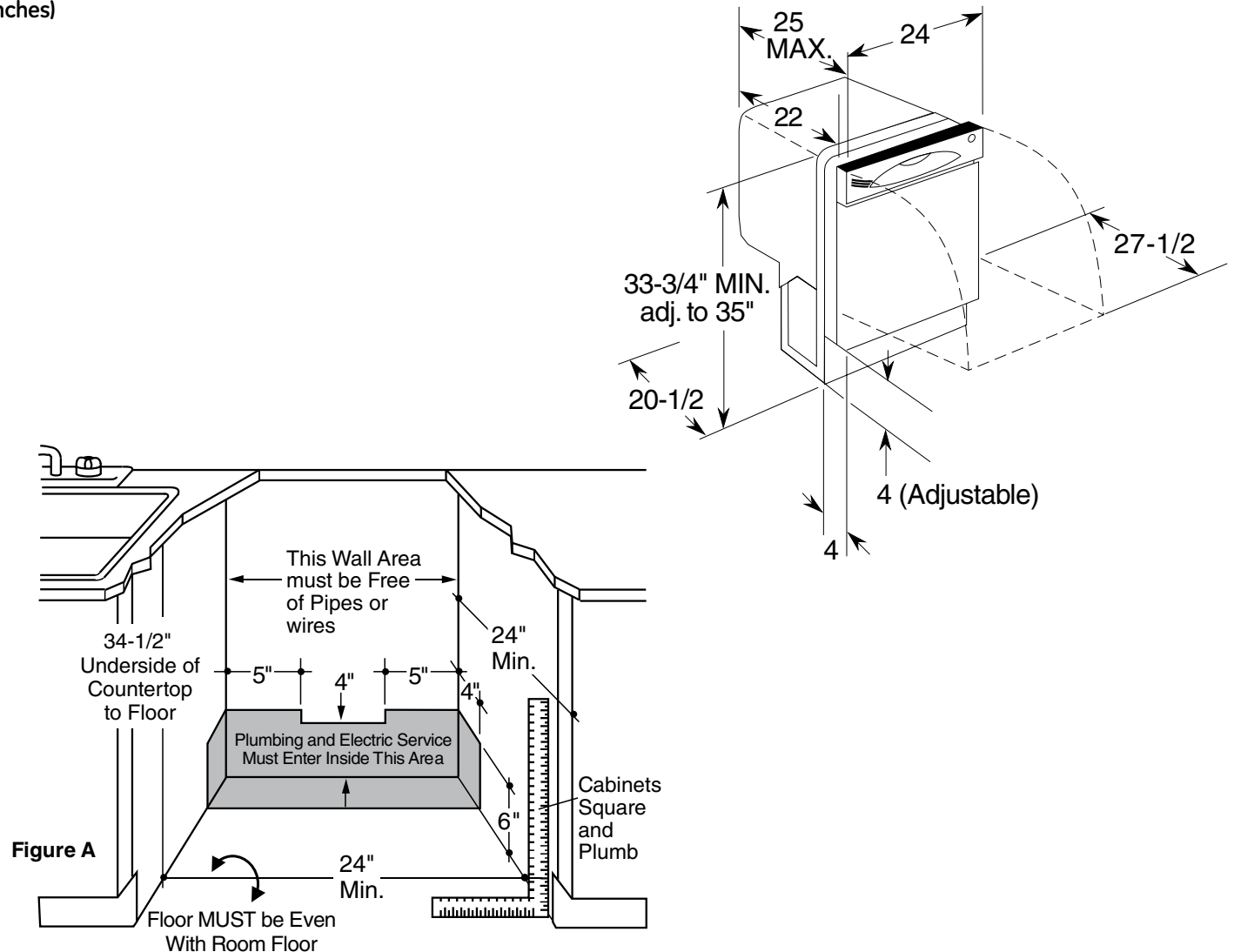
Voltage AC.....	120
Hertz.....	60
Total connected load amperage.....	10
Calrod® heater watts max.....	875

For use on adequately wired 120-volt, 15-amp circuit having 2-wire service with a separate ground wire. This appliance must be grounded for safe operation.

Note: The rough cabinet opening must be at least 24" deep, 24" wide and approximately 34-1/2" high from floor to underside of the countertop. Dishwasher must not be installed more than 10 feet from sink for proper drainage. All plumbing and electrical work must be in accordance with local codes. The power cord and connections must comply with the National Electrical Code Section 422 and/or local codes and ordinances. The cord must be no longer than 6 ft. from the junction box to the receptacle.

Installation Information: Before installing, consult installation instructions packed with product for current dimensional data.

For answers to your Monogram®, GE Profile™ or GE® appliance questions, visit our website at ge.com or call GE Answer Center® service, 800.626.2000.



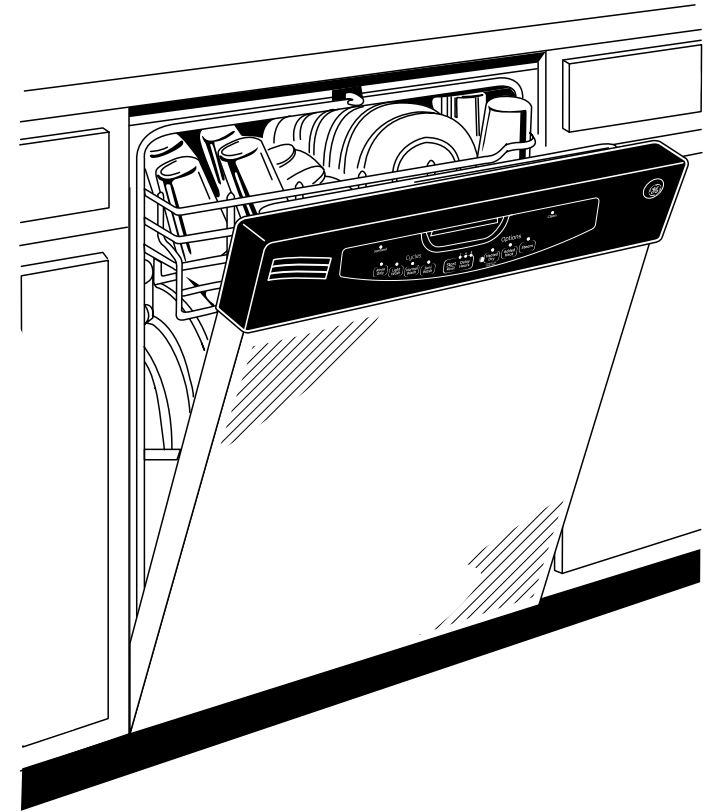
As an ENERGY STAR® partner, GE has determined that this product meets the ENERGY STAR guidelines for energy efficiency.

GLD4908/68T

GE® Tall Tub Built-In Dishwasher

Features and Benefits

- Self-cleaning 5-stage filtration - The wash system's multiple filtration levels ensure clean dishes
- Steam Pre-Wash - Loosens tough soils before any cycle virtually eliminating the need for soaking or pre-rinsing dishes
- SaniWash cycle (NSF residential) - High temperature rinse sanitizes and reduces 99.999% of bacteria found on dishes
- Pearl blue nylon deep-tiered rack - Durable racks are designed to resist rust and secure dishes
- Two utility shelves with StemSafe™ - Versatile shelves help organize racks and protect delicate stemware
- Up to 15-place setting capacity - Holds family-sized dish loads
- Audible end-of-cycle signal - The dishwasher makes a sound to tell you when the load is complete and dishes are ready to unload
- 4 cycles/5 options - Allows you to select the combination that best cleans your dishes
- Silverware cleaning jets - Spray jets target the silverware area for additional cleaning
- QuietPower™57 sound package
- Model GLD4908TBB - Black
- Model GLD4908TWW - White
- Model GLD4968TSS - Stainless Steel



imagination at work