



Room Air Conditioners

Safety Instructions..... 2, 3

Operating Instructions
Controls4

Care and Cleaning
Air Filter5
Outdoor Coils5

Installation Instructions..... 6-10

Troubleshooting Tips11
Normal Operating Sounds11

Consumer Support
Warranty for Customers
in the U.S.A.....13
Consumer Support14

**Owner's Manual and
Installation Instructions**

AHV05

Write the model and serial numbers here:

Model # _____

Serial # _____

Find these numbers on a label on the side of the air conditioner.

IMPORTANT SAFETY INFORMATION.

READ ALL INSTRUCTIONS BEFORE USING.

⚠ WARNING!

For your safety, the information in this manual must be followed to minimize the risk of fire, electric shock or personal injury.



SAFETY PRECAUTIONS

- Use this appliance only for its intended purpose as described in this Owner's Manual.
- This air conditioner must be properly installed in accordance with the Installation Instructions before it is used.
- Never unplug your air conditioner by pulling on the power cord. Always grip plug firmly and pull straight out from the receptacle.
- Replace immediately all electric service cords that have become frayed or otherwise damaged. A damaged power supply cord must be replaced with a new power supply cord obtained from the manufacturer and not repaired. Do not use a cord that shows cracks or abrasion damage along its length or at either the plug or connector end.
- Turn the unit OFF and unplug your air conditioner before cleaning.
- GE does not support any servicing of the air conditioner. We strongly recommend that you do not attempt to service the air conditioner yourself.
- For your safety...do not store or use combustible materials, gasoline or other flammable vapors or liquids in the vicinity of this or any other appliance.
- All air conditioners contain refrigerants, which under federal law must be removed prior to product disposal. If you are getting rid of an old product with refrigerants, check with the company handling disposal about what to do.
- If the receptacle does not match the plug, the receptacle must be changed out by a qualified electrician.
- These R410A air conditioning systems require contractors and technicians to use tools, equipment and safety standards approved for use with this refrigerant. DO NOT use equipment certified for R22 refrigerant only.



HOW TO CONNECT ELECTRICITY

Do not, under any circumstances, cut or remove the third (ground) prong from the power cord. For personal safety, this appliance must be properly grounded.

DO NOT use an adapter plug with this appliance.

The power cord of this appliance is equipped with a 3-prong (grounding) plug which mates with a standard 3-prong (grounding) wall outlet to minimize the possibility of electric shock hazard from this appliance.

Power cord includes a current interrupter device. A test and reset button is provided on the plug case. The device should be tested on a periodic basis by first pressing the **TEST** button and then the **RESET** button while plugged into the outlet. If the **TEST** button does not trip or if the **RESET** button will not stay engaged, discontinue use of the air conditioner and contact a qualified service technician.

Have the wall outlet and circuit checked by a qualified electrician to make sure the outlet is properly grounded.

Where a 2-prong wall outlet is encountered, it is your personal responsibility and obligation to have it replaced with a properly grounded 3-prong wall outlet.

The air conditioner should always be plugged into its own individual electrical outlet which has a voltage rating that matches the rating plate.

This provides the best performance and also prevents overloading house wiring circuits which could cause a fire hazard from overheated wires.

See the Installation Instructions, **Electrical Requirements** section for specific electrical connection requirements.

⚠ WARNING!



USE OF EXTENSION CORDS

RISK OF FIRE. *Could cause serious injury or death.*

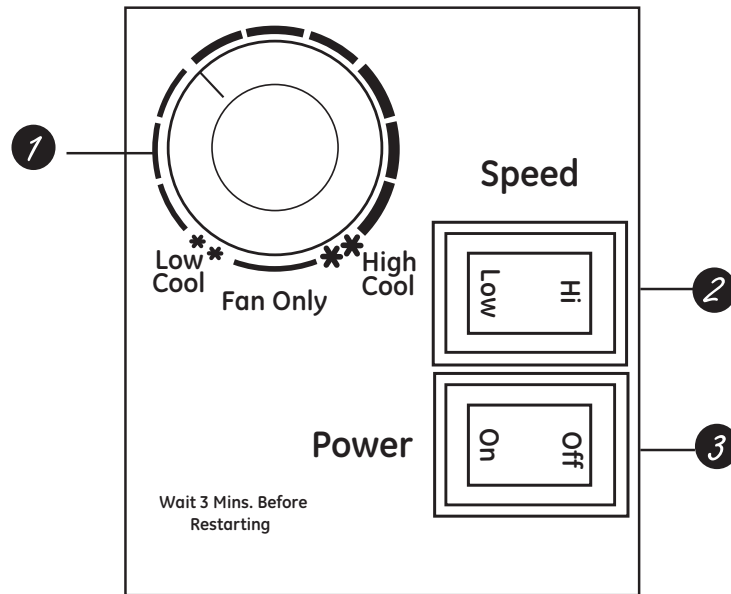
- **DO NOT** use an extension cord with this Window Air Conditioner.
- **DO NOT** use surge protectors or multi-outlet adaptors with this Window Air Conditioner.



***READ AND FOLLOW THIS SAFETY INFORMATION CAREFULLY.
SAVE THESE INSTRUCTIONS***

About the controls on the air conditioner

Features and appearance will vary.



Controls

1 Temperature Control

Setting determines how much cooling is provided. **High Cool** provides the most cooling and **Low Cool** provides the least.

Fan Only turn off the cooling.

NOTE: If you move the Temperature control from a cool setting to **OFF** or to a fan setting, wait at least 3 minutes before switching back to a cool setting.

Cooling Descriptions

For Normal Cooling—Select **High Cool** or **Low Cool**.

For Maximum Cooling—Select **High Cool** with the FAN SPEED set to HI.

For Quieter and Nighttime Cooling—Select **Low Cool** with the FAN SPEED set to LOW.

2 Fan Speed

The fan speed button can be set on HI or LOW. In both cooling mode and fan only mode.

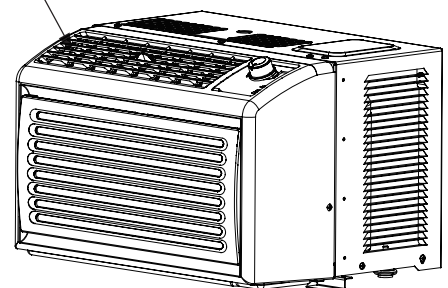
3 Power

Turns the unit on or off.

Air Direction

Use the lever to adjust the air direction left and right only.

lever is in middle



Grille and Case

Turn the air conditioner off and remove the plug from the wall outlet before cleaning.

To clean, use water and a mild detergent. Do not use bleach or abrasives.

Air Filter

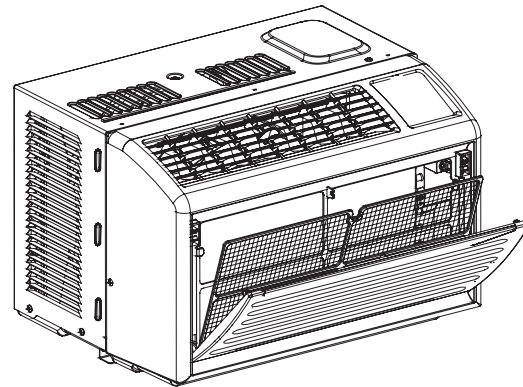
The air filter behind the front grille should be checked and cleaned at least every 30 days or more often if necessary.

To remove:

Open the inlet grille by pulling downward on the tabs at the top upper corners of the inlet grille until the grille is in a 45° position. Remove the filter.

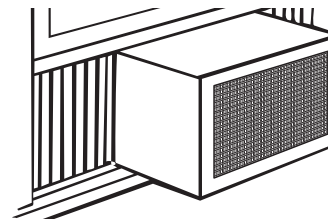
Clean the filter with warm, soapy water. Rinse and let the filter dry before replacing it. Do not clean the filter in a dishwasher.

⚠ CAUTION: *DO NOT operate the air conditioner without a filter because dirt and lint will clog it and reduce performance.*



Outdoor Coils

The coils on the outdoor side of the air conditioner should be checked regularly. If they are clogged with dirt or soot, they may be professionally cleaned.



Installation Instructions

Air Conditioner

? Questions? Call 800.GE.CARES (800.432.2737) or Visit our Website at: GEAppliances.com
In Canada, call 1.800.561.3344 or visit www.GEAppliances.ca



BEFORE YOU BEGIN

Read these instructions completely and carefully.

- **IMPORTANT** — Save these instructions for local inspector's use.
- **IMPORTANT** — Observe all governing codes and ordinances.
- **Note to Installer** – Be sure to leave these instructions with the Consumer.
- **Note to Consumer** – Keep these instructions for future reference.
- **Skill level** – Installation of this appliance requires basic mechanical skills.
- **Completion time** – Approximately 1 hour
- We recommend that two people install this product.
- Proper installation is the responsibility of the installer.
- Product failure due to improper installation is not covered under the Warranty.
- You **MUST** use all supplied parts and use proper installation procedures as described in these instructions when installing this air conditioner.



ELECTRICAL REQUIREMENTS



Some models require a 115/120-volt AC, 60-Hz grounded outlet protected with a 15-amp time-delay fuse or circuit breaker.

The 3-prong grounding plug minimizes the possibility of electric shock hazard. If the wall outlet you plan to use is only a 2-prong outlet, it is your responsibility to have it replaced with a properly grounded 3-prong wall outlet.



Some models require 230/208-volt AC, protected with a time-delay fuse or circuit breaker. These models should be installed on their own single branch circuit for best performance and to prevent overloading house or apartment wiring circuits, which could cause a possible fire hazard from overheating wires.



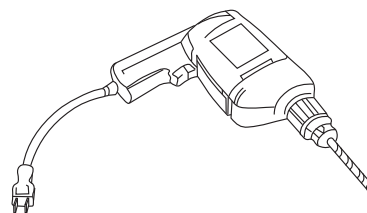
CAUTION:

Do not, under any circumstances, cut or remove the third (ground) prong from the power cord.

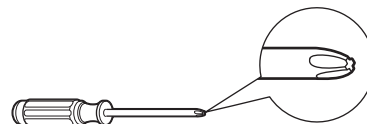
Do not change the plug on the power cord of this air conditioner.

Aluminum house wiring may present special problems—consult a qualified electrician.

TOOLS YOU WILL NEED



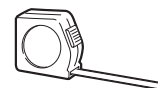
Drill and 1/8" drill bit



Phillips head screwdriver



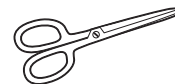
Pencil



Ruler or tape measure



Level

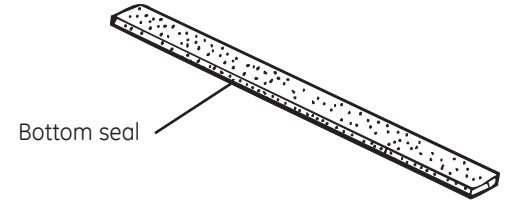
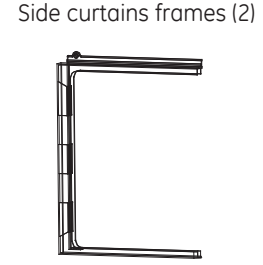
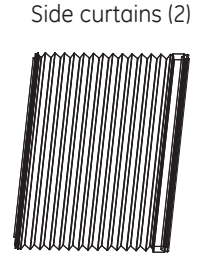
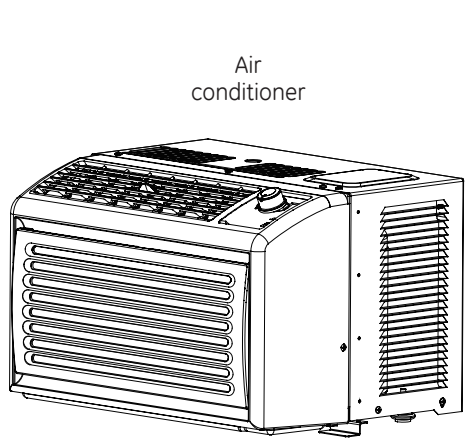
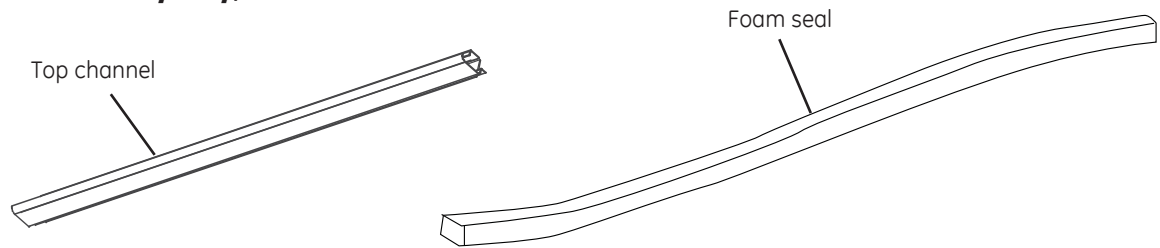


Scissors or knife

Power cord includes a current interrupter device. A test and reset button is provided on the plug case. The device should be tested on a periodic basis by first pressing the **TEST** button and then the **RESET** button while plugged into the outlet. If the **TEST** button does not trip or if the **RESET** button will not stay engaged, discontinue use of the air conditioner and contact a qualified service technician.

Installation Instructions

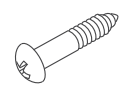
PARTS INCLUDED (Appearance may vary)



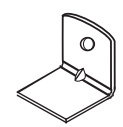
Type A screws (3)



Type B screws (7)



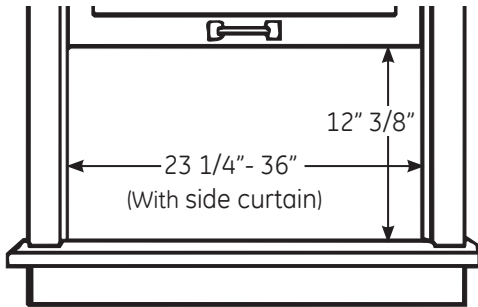
Window lock bracket (3)



Installation Instructions

1 WINDOW REQUIREMENTS

- These instructions are for a standard double-hung window. You will need to modify them for other types of windows.
- The air conditioner can be installed without the side curtain if needed to fit in a narrow window. See the window opening dimensions.
- All supporting parts must be secured to firm wood, masonry or metal.
- The electrical outlet must be within reach of the power cord.
- Follow the dimensions in the table and illustration for your model.



2 STORM WINDOW REQUIREMENTS

A storm window frame will not allow the air conditioner to tilt toward the outside, and will keep it from draining properly.

To adjust for this, attach a piece of wood to the sill.

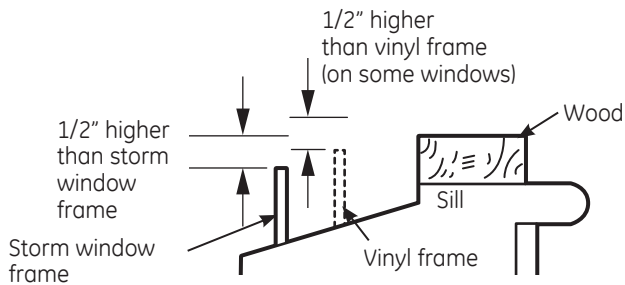
WOOD PIECES

WIDTH: 2"

LENGTH: Long enough to fit inside the window frame.

THICKNESS: To determine the thickness, place a piece of wood on the sill to make it 1/2" higher than the top of the storm window frame or the vinyl frame.

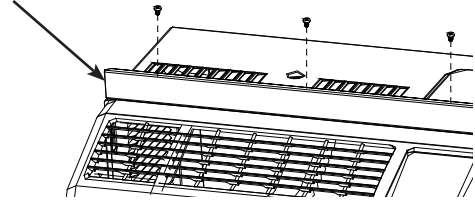
Attach securely with nails or screws provided by the installer.



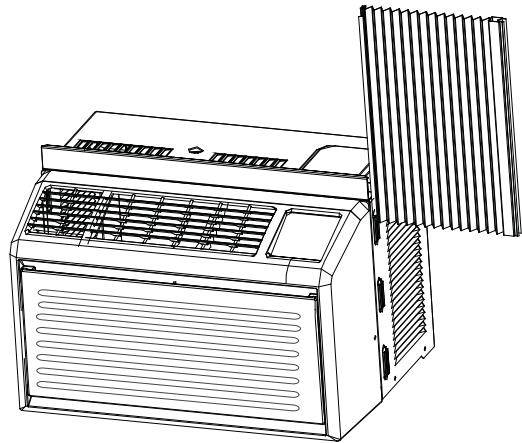
3 PREPARE THE AIR CONDITIONER

- A** Install the top mounting rail with 3 Type A screws from the outside of the case.

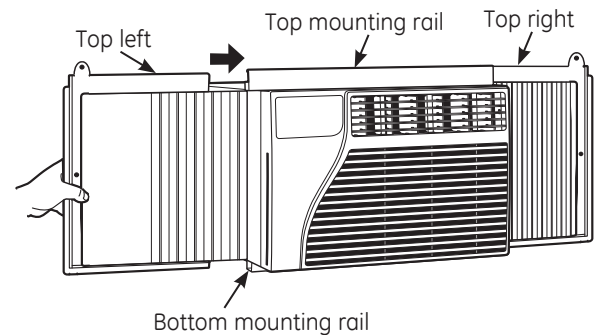
Top mounting rail



- B** Slide curtain panel into side rails.



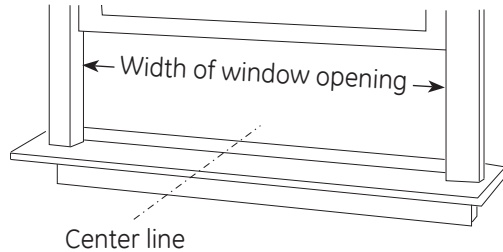
- C** Slide left and right side curtain frames into top and bottom mounting rail. Make sure curtain snaps into place.



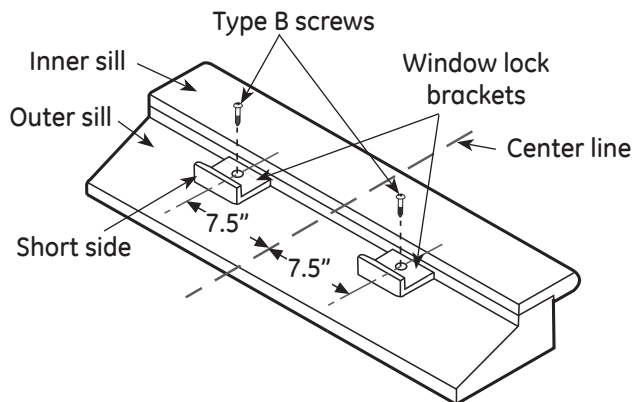
Installation Instructions

5 PREPARING THE WINDOW FOR INSTALLATION

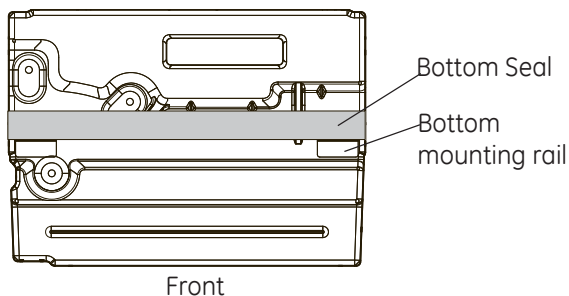
- A** Measure the width of the window opening and mark the center line on the inside windowsill.



- B** Install the window lock bracket behind the inner windowsill, with the short side of window lock. Use 2 type B screws provided. The window lock bracket helps hold unit securely in place. Be sure to place window lock bracket edge flush against back or inner sill.

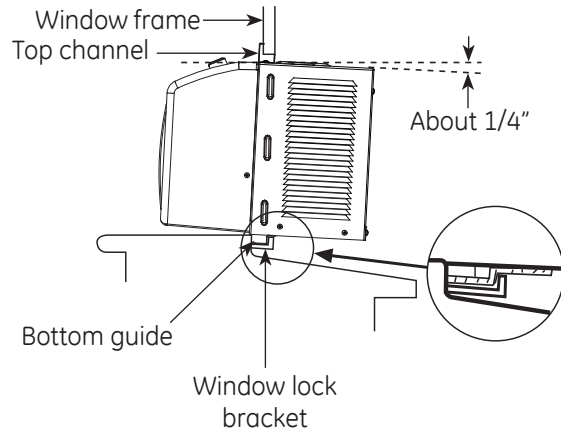


- C** Remove backing on bottom seal. Place seal, adhesive side down, on the bottom of the air conditioner behind the bottom mounting rail.

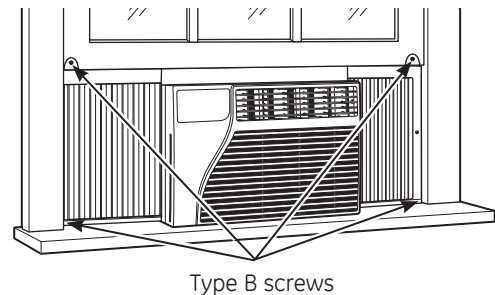


6 INSTALL THE AIR CONDITIONER IN THE WINDOW

- A** Set the air conditioner in the window so that it is centered. Place the air conditioner so that front edge of the bottom mounting rail is against the back edge of the sill.



- B** Bring the window down so that the front edge of the top mounting is in front of the window. Make sure that that air conditioner is level or tilting slightly to the outside.



- C** Extend the curtain panels until they fill the window. Mark the location of the holes in each corner. Use the drill and 1/8\" drill bit to drill pilot holes. Use 4 type B screws to secure the side panels in place.

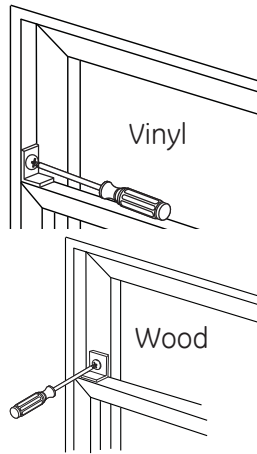
Installation Instructions

7 INSTALL SUPPORT BRACKET AND FOAM TOP WINDOW GASKET

Use type B screw to install the window lock bracket on top of bottom window.

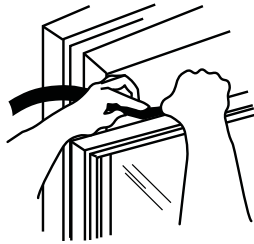
A **CAUTION:**

To prevent broken glass or damage to windows, on vinyl or other similarly constructed windows, attach the window locking bracket to the window side jamb with one Type B screw.



B Cut the foam top window gasket to the window width.

C Stuff the foam between the glass and the window to prevent air and insects from getting into the room.



NOTE: If the gasket supplied does not fit your window, obtain appropriate material locally to provide a proper installation seal.

Troubleshooting Tips.

Problem	Possible Causes	What To Do
Air conditioner does not start	The air conditioner is unplugged.	<ul style="list-style-type: none"> • Make sure the air conditioner plug is pushed completely into the outlet.
	The fuse is blown/circuit breaker is tripped.	<ul style="list-style-type: none"> • Check the house fuse/circuit breaker box and replace the fuse or reset the breaker.
	Power failure.	<ul style="list-style-type: none"> • The unit will automatically restart in the settings last used after the power is restored. • There is a protective time delay (approximately 3 minutes) to prevent tripping of the compressor overload. For this reason, the unit may not start normal cooling for 3 minutes after it is turned back on.
	The current interrupter device is tripped.	<ul style="list-style-type: none"> • Press the RESET button located on the power cord plug. • If the RESET button will not stay engaged, discontinue use of the air conditioner and contact a qualified service technician.
Air conditioner does not cool as it should	Airflow is restricted.	<ul style="list-style-type: none"> • Make sure there are no curtains, blinds or furniture blocking the front of the air conditioner.
	The temp control may not be set correctly.	<ul style="list-style-type: none"> • Turn the temperature knob to a higher number.
	The air filter is dirty.	<ul style="list-style-type: none"> • Clean the filter at least every 30 days. See the Care and Cleaning section.
	The room may have been hot.	<ul style="list-style-type: none"> • When the air conditioner is first turned on, you need to allow time for the room to cool down.
	Cold air is escaping.	<ul style="list-style-type: none"> • Check for open furnace registers and cold air returns.
	Cooling coils have iced up.	<ul style="list-style-type: none"> • See "Air conditioner freezing up" below.
Air conditioner freezing up	Ice blocks the air flow and stops the air conditioner from cooling the room.	<ul style="list-style-type: none"> • On models with control knobs, set the mode control at High Fan or High Cool with the Temp at 1 or 2.
Water drips outside	Hot, humid weather.	<ul style="list-style-type: none"> • This is normal.
Water drips indoors	The air conditioner is not tilted to the outside.	<ul style="list-style-type: none"> • For proper water disposal, make sure the air conditioner slants slightly from the case front to the rear.
Water collects in base pan	Moisture removed from air and drains into base pan.	<ul style="list-style-type: none"> • This is normal for a short period in areas with little humidity; normal for a longer period in very humid areas.

Normal Operating Sounds

- You may hear a pinging noise caused by water being picked up and thrown against the condenser on rainy days or when the humidity is high. This design feature helps remove moisture and improve efficiency.
- You may hear the thermostat click when the compressor cycles on and off.
- Water will collect in the base pan during high humidity or on rainy days. The water may overflow and drip from the outdoor side of the unit.
- The fan may run even when the compressor does not.

NOTES:

GE Air Conditioner—One-Year Limited Warranty. (For customers in the U.S.A.)



All warranty service provided by our Factory Service Centers, or an authorized Customer Care® technician. To schedule service, visit us on-line at ge.com, or call 800.GE.CARES (800.432.2737). Have serial number and model number available when calling for service.

Staple your receipt here.
Proof of the original purchase date is needed to obtain service under the warranty.

For The Period Of: GE Will Replace:

One Year

From the date of the original purchase

Any part of the air conditioner which fails due to a defect in materials or workmanship. During this **limited one-year warranty**, GE will also provide, **free of charge**, all labor and related service to replace the defective part.

What Is Not Covered:

- Service trips to your home to teach you how to use the product.
- Improper installation, delivery or maintenance. If you have an installation problem, or if the air conditioner is of improper cooling capacity for the intended use, contact your dealer or installer. You are responsible for providing adequate electrical connecting facilities.
- Failure of the product resulting from modifications to the product or due to unreasonable use including failure to provide reasonable and necessary maintenance.
- In commercial locations, labor necessary to move the unit to a location where it is accessible for service by an individual technician.
- Replacement of house fuses or resetting of circuit breakers.
- Failure due to corrosion on models not corrosion-protected.
- Damage to the product caused by improper power supply voltage, accident, fire, floods or acts of God.
- Incidental or consequential damage caused by possible defects with this air conditioner.
- Damage caused after delivery.

EXCLUSION OF IMPLIED WARRANTIES—Your sole and exclusive remedy is product repair as provided in this Limited Warranty. Any implied warranties, including the implied warranties of merchantability or fitness for a particular purpose, are limited to one year or the shortest period allowed by law.

This warranty is extended to the original purchaser and any succeeding owner for products purchased for home use within the USA. If the product is located in an area where service by a GE Authorized Servicer is not available, you may be responsible for a trip charge or you may be required to bring the product to an Authorized GE Service location for service. In Alaska, the warranty excludes the cost of shipping or service calls to your home.

Some states do not allow the exclusion or limitation of incidental or consequential damages. This warranty gives you specific legal rights, and you may also have other rights which vary from state to state. To know what your legal rights are, consult your local or state consumer affairs office or your state's Attorney General.

Warrantor: General Electric Company, Louisville, KY 40225

Consumer Support.



GE Appliances Website

In the U.S.A.: GEAppliances.com

Have a question or need assistance with your appliance? Try the GE Appliances Website 24 hours a day, any day of the year! For greater convenience and faster service, you can now download Owner's Manuals, or even order parts on-line. **In Canada: www.GEAppliances.ca**

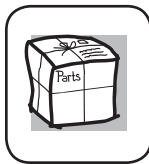


Real Life Design Studio

In the U.S.A.: GEAppliances.com

GE supports the Universal Design concept—products, services and environments that can be used by people of all ages, sizes and capabilities. We recognize the need to design for a wide range of physical and mental abilities and impairments. For details of GE's Universal Design applications, including kitchen design ideas for people with disabilities, check out our Website today. For the hearing impaired, please call 800.TDD.GEAC (800.833.4322).

In Canada, contact: Manager, Consumer Relations, Mabe Canada Inc.
Suite 310, 1 Factory Lane
Moncton, N.B. E1C 9M3



Parts and Accessories

In the U.S.A.: GEAppliances.com

Individuals qualified to service their own appliances can have parts or accessories sent directly to their homes (VISA, MasterCard and Discover cards are accepted). Order on-line today, 24 hours every day or by phone at 800.626.2002 during normal business hours.

Instructions contained in this manual cover procedures to be performed by any user. GE does not support any servicing of the air conditioner. We strongly recommend that you do not attempt to service the air conditioner yourself.

Customers in **Canada** should consult the yellow pages for the nearest Mabe service center, or call 1.800.561.3344.



Contact Us

In the U.S.A.: GEAppliances.com

If you are not satisfied with the service you receive from GE, contact us on our Website with all the details including your phone number, or write to: General Manager, Customer Relations
GE Appliances, Appliance Park
Louisville, KY 40225

In Canada: www.GEAppliances.ca, or write to: Director, Consumer Relations, Mabe Canada Inc.
Suite 310, 1 Factory Lane
Moncton, N.B. E1C 9M3



Acondicionadores de aire Para Sala

Instrucciones de Seguridad ...	2, 3
Instrucciones de Funcionamiento	
Controles	4
Cuidado y Limpieza	
Bobinas Exteriores	5
Filtro de Aire	5
Instrucciones de Instalación ...	6-10
Consejos para Solucionar Problemas	11
Sonidos Normales de Funcionamiento	11
Soporte al Cliente	
Garantía para Clientes en EE.UU.	13
Soporte al Cliente	14

Manual del Propietario e Instrucciones de Instalación

AHV05

Escriba los números de modelo y de serie aquí:

Nº de Modelo _____

Nº de Serie _____

Estos números se encuentran en una etiqueta al costado del acondicionador de aire

En Canadá, comuníquese con nosotros en: www.GEAppliances.ca

INFORMACIÓN IMPORTANTE DE SEGURIDAD. LEA TODAS LAS INSTRUCCIONES ANTES DE USAR.

¡ADVERTENCIA!

Para su seguridad, siga las instrucciones de este manual a fin de minimizar riesgos de incendio, descargas eléctricas o heridas personales.



PRECAUCIONES DE SEGURIDAD

- Use este electrodoméstico sólo para su propósito original, como se describe en el Manual del Propietario.
- **Este acondicionador de aire se debe instalar de forma apropiada de acuerdo con las Instrucciones de Instalación antes de ser usado.**
- Nunca desenchufe su acondicionador de aire empujando el cable de corriente. Siempre tome su enchufe de manera firme y empuje el mismo hacia afuera del receptáculo.
- Reemplace de inmediato todos los cables del servicio de electricidad pelados o con cualquier tipo de daño. Un cable del servicio de corriente que esté dañado deberá ser reemplazado por uno nuevo provisto por el fabricante, y no deberá ser reparado. No use un cable con cortaduras o abrasión sobre su extensión o en cualquiera de sus enchufes o extremos.
- Coloque la unidad en OFF (Apagado) y desenchufe el acondicionador de aire antes de usar el mismo.
- GE no suministra servicio técnico para el acondicionador de aire. Recomendamos enfáticamente que no intente reparar el acondicionador de aire usted mismo.
- Para su seguridad... no acumule ni use materiales combustibles, gasolina u otros vapores o líquidos inflamables cerca de éste u otro electrodoméstico.
- Todos los acondicionadores de aire contienen refrigerantes, los cuales de acuerdo con la ley federal se deben quitar antes de deshacerse del producto. Si se deshará de un producto antiguo con refrigerantes, consulte a la compañía a cargo sobre cómo deshacerse del mismo.
- Si el receptáculo no coincide con el enchufe, el cambio del mismo deberá ser realizado por un electricista calificado.
- Estos sistemas de acondicionadores de aire R410A requieren que los contratistas y técnicos utilicen herramientas, equipamiento y estándares de seguridad aprobados para su uso con este refrigerante. NO use equipamiento certificado sólo para refrigerante R22.



CÓMO CONECTAR LA ELECTRICIDAD

Nunca, bajo ninguna circunstancia, corte o elimine el tercer cable (tierra) del cable de corriente. Para su seguridad personal, este electrodoméstico debe estar adecuadamente conectado a tierra.

NO use un enchufe adaptador con este electrodoméstico.

El cable de corriente de este electrodoméstico contiene un enchufe de 3 cables (conexión a tierra) que se conecta a un tomacorriente de pared estándar de 3 cables (conexión a tierra) para minimizar la posibilidad de riesgos de descargas eléctricas por parte del mismo.

El cable de corriente incluye un interruptor de corriente. Se brinda un botón de evaluación y reinicio en la caja del enchufe. El dispositivo deberá ser evaluado en forma periódica, presionando primero el botón **TEST (Evaluar)** y luego **RESET (Reinicio)** mientras se encuentre enchufado al tomacorriente. Si el botón **TEST (Evaluar)** no se activa o el botón **RESET (Reinicio)** no permanece en su posición, deje de usar el acondicionador de aire y comuníquese con un técnico calificado del servicio.

Contrate a un electricista calificado para que controle el tomacorriente y el circuito eléctrico para asegurar que el enchufe esté correctamente conectado a tierra.

En caso de contar con un tomacorriente de pared de 2 cables, es su responsabilidad y obligación reemplazarlo por un tomacorriente de pared de 3 cables correctamente conectado a tierra.

El acondicionador de aire debería estar siempre conectado a un enchufe específico con un índice de voltaje equivalente al que figura en su etiqueta de características técnicas.

Esto garantiza el mejor funcionamiento y además previene la sobrecarga de los circuitos del hogar, lo cual podría ocasionar riesgos de incendio debido al recalentamiento de cables.

Para conocer los requisitos específicos de la conexión eléctrica, consulte las Instrucciones de Instalación, **Requisitos Eléctricos**.

⚠ ¡ADVERTENCIA!



USO DE PROLONGADORES

RIESGO DE INCENDIO. Podría ocasionar lesiones graves o la muerte.

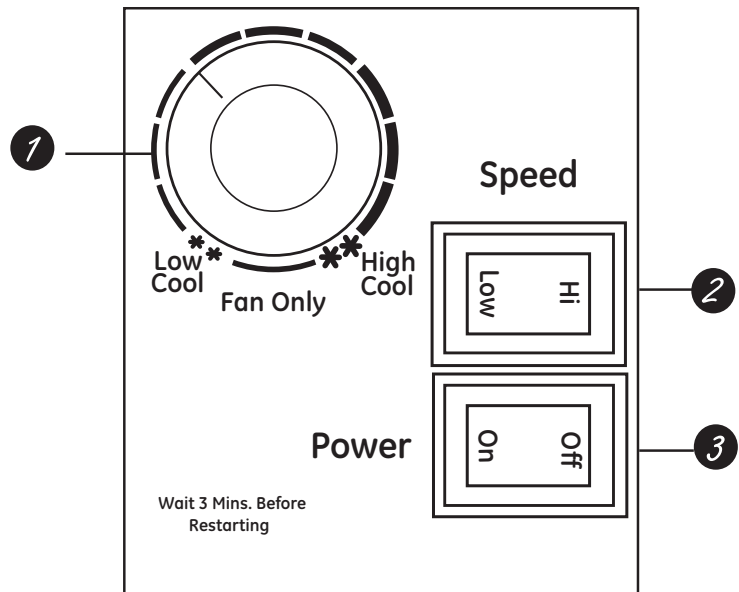
- NO use un prolongador con este Acondicionador de Aire de Ventana.
- NO use protectores contra picos de corriente ni adaptadores para múltiples tomacorrientes con este Acondicionador de Aire de Ventana.



**LEA Y SIGA ESTA INFORMACIÓN DE SEGURIDAD CUIDADOSAMENTE.
GUARDE ESTAS INSTRUCCIONES**

Acerca de los controles en el acondicionador de aire

Las funciones y la apariencia podrán variar.



Controles

1 Control de Temperatura

La configuración determina el nivel de frío provisto. **High Cool (Frío Alto)** provee la mayor cantidad de frío y **Low Cool (Frío Bajo)** provee la menor cantidad.

Fan Only (Sólo Ventilador) apaga el frío.

NOTA: Si mueve el control de Temperatura de un ajuste de refrigeración a **OFF (Apagar)** o a un ajuste del ventilador, espere por los menos 3 minutos antes de volver a activar un ajuste de refrigeración.

Descripciones de Refrigeración

Para un Nivel de Frío Normal—Seleccione **High Cool (Frío Alto)** o **Low Cool (Frío Bajo)**.

Para un Nivel de Frío Máximo—Seleccione **High Cool (Frío Alto)** con la configuración FAN SPEED (Velocidad del Ventilador) en HI (Alto).

Para una Refrigeración Más Suave y Nocturna—Seleccione **Low Cool (Frío Bajo)** con FAN SPEED (Velocidad del Ventilador) en LOW (Bajo).

2 Velocidad del Ventilador

El botón de velocidad del ventilador se puede configurar en HI (Alto) o LOW (Bajo). Se puede configurar en el modo de refrigeración o sólo ventilador.

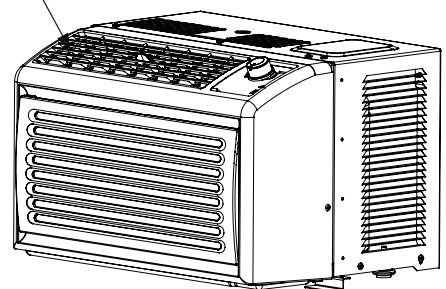
3 Encendido

Enciende o apaga la unidad.

Dirección del Aire

Use la palanca para ajustar la dirección del aire hacia la izquierda o la derecha únicamente.

La palanca está en el medio



Parrilla y Caja

Apague el acondicionador de aire y retire el enchufe del tomacorriente antes de limpiar.

Para limpiar, use agua y un detergente suave. No use blanqueadores ni abrasivos.

Filtro de Aire

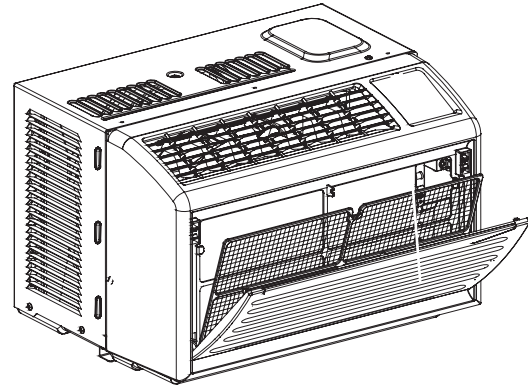
El filtro de aire que se encuentra detrás de la rejilla frontal se debe revisar y limpiar por lo menos cada 30 días o con una frecuencia mayor, si fuera necesario.

Para retirar:

Abra la rejilla de entrada empujando hacia abajo las lengüetas en las esquinas superiores de la rejilla de entrada, hasta que la rejilla se encuentre en una posición de 45°. Retire el filtro.

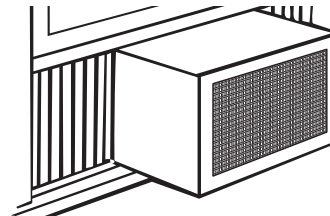
Limpie el filtro con agua caliente y jabón. Enjuague y deje secar el filtro antes de su reemplazo. No limpie el filtro en un lavavajillas.

⚠ PRECAUCIÓN: *NO utilice el acondicionador de aire sin un filtro, ya que la suciedad y las pelusas producirán atascamientos y reducirán su funcionamiento.*



Bobinas Exteriores

Las bobinas del lado exterior del acondicionador de aire se deberán controlar de forma regular. Si se encuentran atascadas con tierra u hollín, deberán ser limpiadas por un profesional.



Instrucciones de Instalación

Acondicionador de aire

? ¿Preguntas? Llame al 800.GE.CARES (800.432.2737) o visite nuestro sitio web en: GEAppliances.com



ANTES DE COMENZAR

Lea estas instrucciones en su totalidad y atentamente.

- **IMPORTANTE** — Conserve estas instrucciones para uso del inspector local.
- **IMPORTANTE** — Cumpla con todos los códigos y ordenanzas gubernamentales.
- **Nota para el Instalador** – Asegúrese de que el Comprador conserve estas instrucciones.
- **Nota para el Comprador** – Conserve estas instrucciones para referencia futura.
- **Nivel de habilidad** – La instalación de este dispositivo requiere un nivel básico de habilidades mecánicas.
- **Tiempo de instalación** – Aproximadamente 1 hora.
- Recomendamos que el producto sea instalado por dos personas.
- La correcta instalación del producto es responsabilidad del instalador.
- Si se producen fallas en el producto debido a una instalación inadecuada, la Garantía no cubrirá las mismas.
- Al instalar este acondicionador de aire, DEBERÁ usar todas las piezas suministradas y seguir los procedimientos de instalación adecuados, como se describe en estas instrucciones.



REQUISITOS ELÉCTRICOS

Algunos modelos requieren un tomacorriente con conexión a tierra de 115/120-volt AC, 60-Hz protegido con un fusible de retraso de 15 amperes o un disyuntor



El enchufe con conexión a tierra de 3 patas reduce la posibilidad de una descarga eléctrica. En caso de contar con un tomacorriente de pared de 2 cables, es su responsabilidad y obligación reemplazarlo por un tomacorriente de pared de 3 cables correctamente conectado a tierra.



Algunos modelos requieren CA de 230/208 voltios, protegido con un fusible de retraso o un disyuntor. Estos modelos deberán ser instalados en sus propios circuitos



independientes para un mejor rendimiento y para evitar sobrecargas en los circuitos de cableado de la casa o departamento, los cuales podrían ocasionar riesgos de incendio por el sobrecalentamiento de cables.

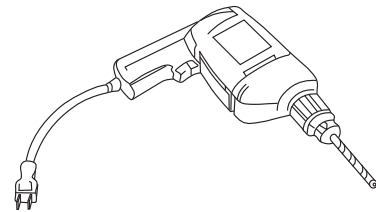
⚠ PRECAUCIÓN:

Nunca, bajo ninguna circunstancia, corte o elimine el tercer cable (tierra) del cable de corriente.

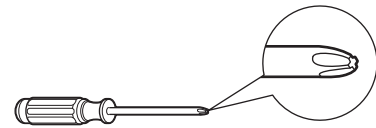
No cambie el enchufe del cable de corriente de este acondicionador de aire.

Los cables de aluminio para casas pueden presentar problemas especiales – consulte a un electricista calificado.

HERRAMIENTAS NECESARIAS



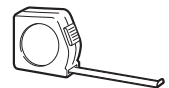
Taladro y broca de 1/8"



Destornillador Phillips



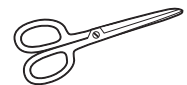
Lápiz



Regla o cinta de medición



Nivel

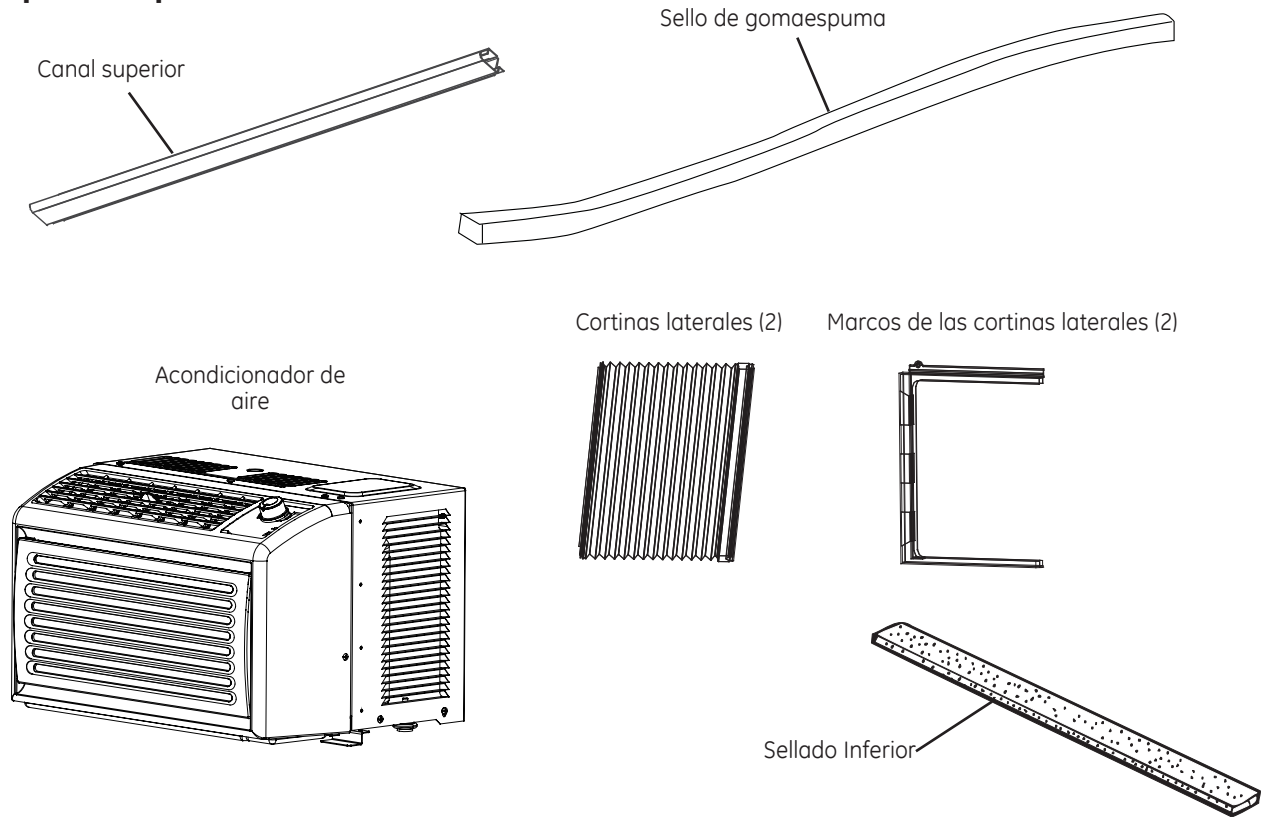


Tijeras o cuchillo

El cable de corriente incluye un interruptor de corriente. Se brinda un botón de evaluación y reinicio en la caja del enchufe. El dispositivo deberá ser evaluado en forma periódica, presionando primero el botón **TEST (Evaluar)** y luego **RESET (Reinicio)** mientras se encuentre enchufado al tomacorriente. Si el botón **TEST (Evaluar)** no se activa o el botón **RESET (Reinicio)** no permanece en su posición, deje de usar el acondicionador de aire y comuníquese con un técnico calificado del servicio.

Instrucciones de Instalación

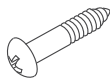
PARTES INCLUIDAS (La apariencia puede variar)



Tornillos Tipo A (3)



Tornillos Tipo B (7)



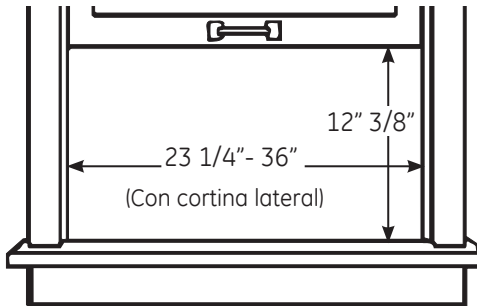
Soporte de cierre de la ventana (3)



Instrucciones de Instalación

1 REQUISITOS PARA VENTANA

- Estas instrucciones son para una ventana de guillotina doble estándar. Deberá modificarlas para otros tipos de ventanas.
- El acondicionador de aire se puede instalar sin la cortina lateral, si es necesario que se ajuste a una ventana angosta. Observe las dimensiones de apertura de la ventana.
- Todas las piezas de soporte se deberán asegurar sobre madera, mampostería o metal firme.
- La salida eléctrica deberá estar dentro del alcance del cable de corriente.
- Siga las dimensiones en la tabla e ilustración de su modelo.



2 REQUISITOS PARA CONTRAVENTANA

El marco de una contraventana no permitirá que el acondicionador de aire se incline hacia la parte exterior, y evitará que drene de forma apropiada. Para ajustarlo a esta situación, adjunte una pieza de madera al alféizar.

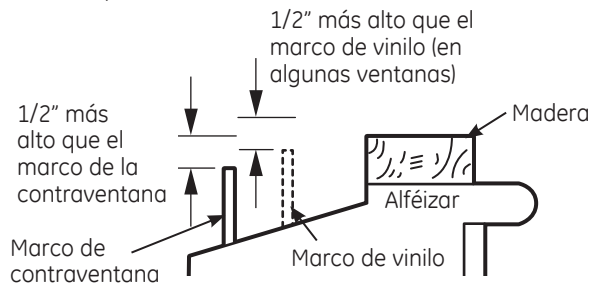
PIEZAS DE MADERA

WIDTH: 2"

LONGITUD: Lo suficientemente largo como para que se ajuste al marco de la ventana.

GROSOR: Para determinar el grosor, coloque una pieza de madera en el alféizar cuya altura sea 1/2" más alta que la parte superior del marco de la contraventana o el marco de vinilo.

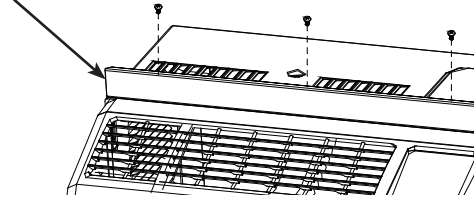
Adjunte de forma segura con clavos o tornillos provistos por el instalador.



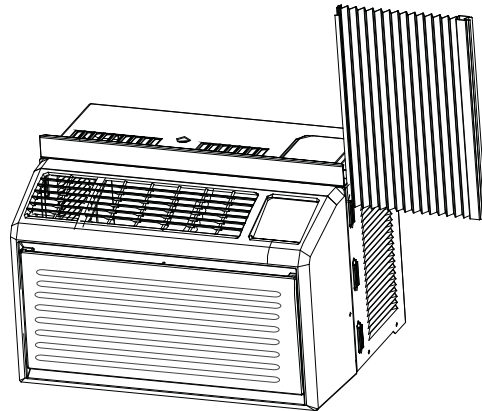
3 PREPARE EL ACONDICIONADOR DE AIRE

- A** Instale el riel de montaje superior con 3 tornillos Tipo A desde la parte exterior de la caja.

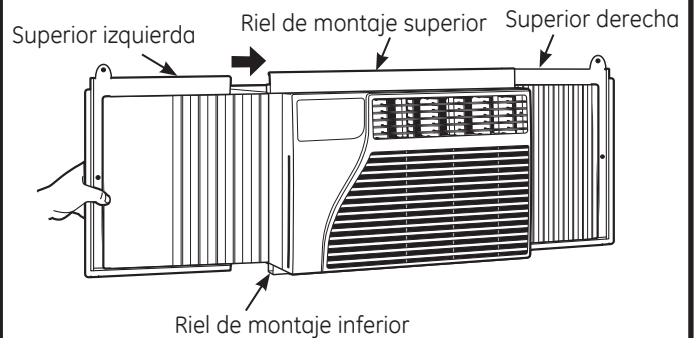
Riel de montaje superior



- B** Deslice el panel de la cortina en los rieles laterales.



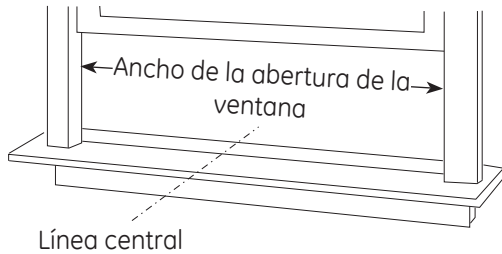
- C** Deslice los marcos de las cortinas laterales izquierda y derecha en el riel de montaje superior e inferior. Asegúrese de que la cortina se ajuste en el lugar correcto.



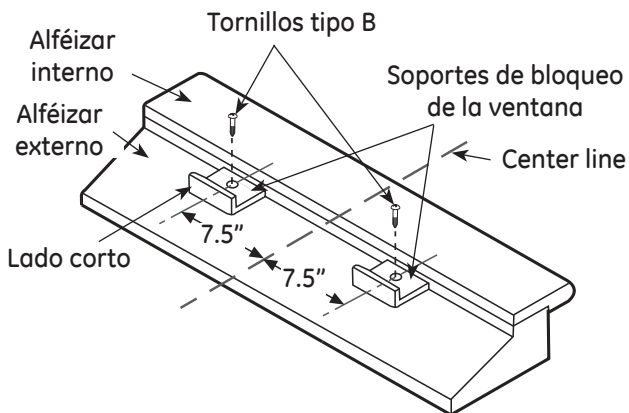
Instrucciones de Instalación

5 PREPARACIÓN PARA LA INSTALACIÓN DE LA VENTANA

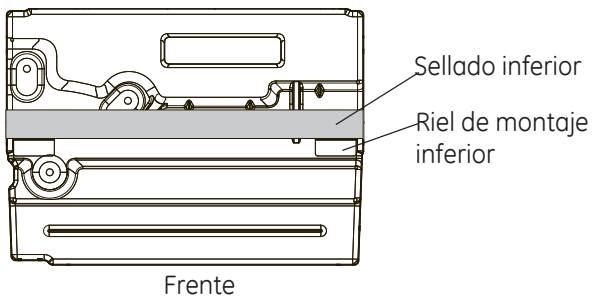
- A** Mida el ancho de la abertura de la ventana y marque la línea central del alféizar interior de la ventana.



- B** Instale el soporte de bloqueo de la ventana detrás del alféizar interno de la ventana, con el lado corto de la ventana bloqueado. Use 2 tornillos tipo B provistos. El soporte de bloqueo de la ventana ayuda a sostener la unidad en su lugar de manera segura. Asegúrese de que el extremo del soporte de bloqueo de la ventana se nivele contra la parte trasera o interna del alféizar.

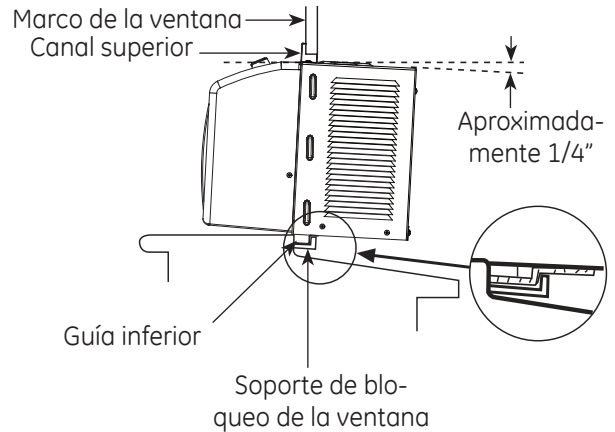


- C** Retire el apoyo del sellado inferior. Coloque el lado adhesivo del sellador hacia abajo, en la parte inferior del acondicionador de aire, detrás del riel de montaje inferior.

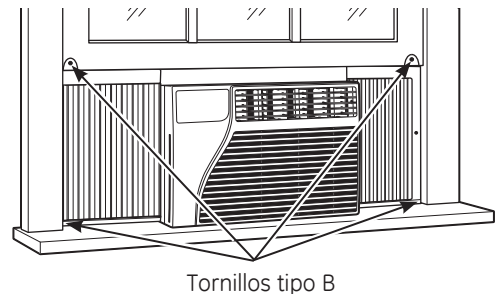


6 INSTALE EL ACONDICIONADOR DE AIRE EN LA VENTANA

- A** Coloque el acondicionador de aire en la ventana de modo que se encuentre centrado. Coloque el acondicionador de aire de modo que el extremo frontal del riel de montaje inferior se encuentre contra el extremo trasero del alféizar.



- B** Baje la ventana de modo que el extremo frontal del montaje superior se encuentre delante de la ventana. Asegúrese de que el acondicionador de aire esté nivelado o apenas inclinado hacia el exterior.



- C** Extienda los paneles de la cortina hasta que llenen la ventana. Marque la ubicación de los agujeros en cada esquina. Use el taladro y una broca de 1/8" para taladrar agujeros piloto. Use 4 tornillos tipo B para asegurar los paneles laterales en sus lugares correspondientes.

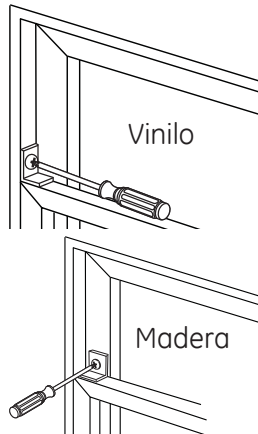
Instrucciones de Instalación

7 INSTALE EL SOPORTE Y LA JUNTA DE GOMAESPUMA DE LA PARTE SUPERIOR DE LA VENTANA

Use un tornillo tipo B para instalar el soporte de bloqueo arriba de la parte inferior de la ventana.

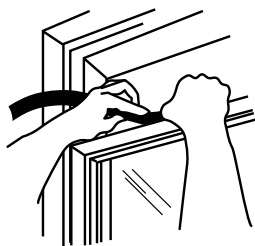
A **PRECAUCIÓN:**

Para evitar la rotura de vidrios o daños a las ventanas, sobre vinilo o ventanas construidas de manera similar, adjunte el soporte de bloqueo de la ventana a la jamba lateral de la ventana con un tornillo Tipo B



B Corte la junta de gomaespuma superior de la ventana del mismo ancho que la ventana.

C Coloque la gomaespuma entre el vidrio y la ventana para evitar el ingreso de aire e insectos a la habitación.



NOTA: Si la junta provista no se ajusta a su ventana, obtenga el material apropiado en forma local para contar con un sellado correcto en la instalación.

Consejos para la Solución de Problemas

Problema	Causas Posibles	Qué Hacer
<i>El acondicionador de aire no se inicia</i>	El acondicionador de aire está desenchufado.	• Asegúrese de que el cable del acondicionador de aire esté completamente enchufado en el tomacorriente.
	Se quemó el fusible/ el disyuntor está activado.	• Controle la caja de fusibles/ disyuntor de su hogar y reemplace el fusible o reinicie el disyuntor.
	Corte de corriente.	• La unidad se reiniciará de forma automática en la configuración usada por última vez, una vez que se reinicie la corriente. • Hay un retraso de tiempo por protección (aproximadamente 3 minutos) a fin de evitar la sobrecarga del compresor. Por esta razón, es posible que la unidad no comience con el enfriamiento normal por 3 minutos luego de haber sido conectada nuevamente.
	El interruptor de corriente está activado.	• Presione el botón RESET (Reinicio) ubicado en el cable de corriente. • Si el botón RESET (Reinicio) no permanece conectado, interrumpa el uso del acondicionador de aire y comuníquese con un técnico calificado del servicio.
<i>El acondicionador de aire no enfría como debería</i>	El flujo de aire está obstruido.	• Asegúrese que no haya cortinas, persianas ni muebles que bloqueen la parte frontal del acondicionador de aire.
	Es posible que el control de temperatura no esté correctamente ajustado.	• Gire la perilla de temperatura a un número más elevado.
	El filtro de aire está sucio.	• Limpie el filtro por lo menos cada 30 días Consulte la sección de Cuidado y Limpieza.
	Es posible que el ambiente haya estado caliente.	• Cuando el acondicionador de aire se enciende por primera vez, debe dejar transcurrir un período de tiempo para que el ambiente se enfríe.
	Hay una fuga de aire frío.	• Controle si hay registro de calderas abiertas y retornos de aire frío.
	Las bobinas de enfriamiento se congelaron.	• Consulte "Congelamiento del acondicionador de aire" a continuación.
<i>El acondicionador de aire produce congelación</i>	El hielo bloquea el flujo de aire e impide que el acondicionador de aire enfríe la habitación.	• En modelos con perillas de control, configure el control de modo en High Fan (Ventilador Alto) o High Cool (Frío Alto) con Temp (Temperatura) en 1 o 2.
<i>Hay goteo de agua en la parte externa</i>	Clima caliente y húmedo.	• Esto es normal.
<i>Hay goteo de agua en la parte interna</i>	El acondicionador de aire no está inclinado hacia el exterior.	• Para una salida correcta del agua, asegúrese de que el acondicionador de aire se incline levemente desde la parte frontal hasta la parte trasera de la caja.
<i>Se acumula agua en la bandeja</i>	Se eliminó la humedad del aire y se drena en la bandeja.	• Esto es normal durante un período corto en áreas con poca humedad; es normal durante un período más largo en áreas muy húmedas.

Sonidos de Funcionamiento Normal

- Es posible que escuche un sonido metálico ocasionado por el agua recolectada y arrojada contra el condensador en días lluviosos o cuando la humedad sea alta. Esta función ayuda a eliminar la humedad y mejora el nivel de eficiencia.
- Es posible que escuche que el termostato hace clic cuando los ciclos del compresor se activan y desactivan.
- El agua se acumulará en la bandeja en días con alto nivel de humedad o en días lluviosos. Es posible que el agua se desborde y gotee desde la parte exterior de la unidad.
- El ventilador podrá seguir funcionando cuando el compresor no esté en funcionamiento.

NOTAS:

Garantía de su acondicionador de aire—garantía limitada de un año.



Todos los servicios de garantía los proporcionan nuestros Centros de Reparación de Fábrica o nuestros técnicos Customer Care® autorizados. Para concertar una cita de reparación, en línea, 24 horas al día, visítenos al ge.com, o llame al 800.GE.CARES (800.432.2737). Cuando llame para solicitar servicio, por favor tenga a mano el número de serie y el número de modelo.

Grape aquí su recibo.
Se requiere facilitar prueba de la fecha de compra original para obtener un servicio bajo la garantía.

Por el período de:	GE reemplazará:
Un año A partir de la fecha de la compra original	Cualquier parte del acondicionador de aire que falle debido a defectos en los materiales o en la fabricación. Durante esta garantía limitada de un año, GE también proporcionará, sin costo alguno, toda la mano de obra y el servicio relacionado—para reemplazar partes defectuosas.

Lo que no está cubierto:

- Viajes de servicio a su casa para mostrarle cómo funciona el equipo.
- Instalación o entrega inapropiada, o mantenimiento impropio. Si usted tiene un problema durante la instalación, o si su acondicionador de aire no tiene la capacidad de enfriamiento que usted necesita, póngase en contacto con nuestro distribuidor o instalador. Usted es responsable de proporcionar las facilidades de conexión eléctrica necesarias.
- Fallo del producto resultante de modificaciones al producto o debido a uso irrazonable incluyendo no proporcionar mantenimiento razonable y necesario.
- En locales comerciales, la mano de obra necesaria para retirar la unidad hacia un lugar para revisión por parte de un técnico individual.
- Reemplazo de fusibles de la casa o reajuste del sistema de circuitos.
- Fallos debido a la corrosión en modelos que no están protegidos contra la corrosión.
- Daño al producto causado por voltaje inapropiado hacia el equipo, accidentes, incendios, inundaciones o actos de la naturaleza de fuerza mayor.
- Daños incidentales o consecuenciales causados por defectos posibles con este acondicionador de aire.
- Daños después de la entrega.

EXCLUSIÓN DE GARANTÍAS IMPLÍCITAS—Su único y exclusivo derecho es la reparación del producto, tal y como se indica en esta Garantía limitada. Cualquier garantía implícita, incluyendo las garantías implícitas de comerciabilidad o adecuación para un fin determinado, están limitadas a un año o el período de tiempo más breve permitido por la ley.

Esta garantía se extiende al comprador original y cualquier comprador posterior de productos comprados para uso residencial dentro de Estados Unidos. Si el producto está situado en un área que no dispone de servicio por parte de un proveedor de servicio autorizado de GE, podría tener que hacerse cargo de los costes de envío o bien podría solicitársele que lleve el producto a una centro de servicio de GE autorizado para realizar la reparación. En Alaska, la garantía excluye el costo de envío o las visitas de servicio a su casa.

Algunos estados no permiten la exclusión o las limitaciones de daños incidentales o consecuenciales. Esta garantía da derechos legales específicos, y usted podría tener otros derechos que variarán de estado a estado. Para saber cuáles son sus derechos legales, consulte a la oficina de asuntos del consumidor local o la oficina del Attorney General en su localidad.

Garante: General Electric Company. Louisville, KY 40225

Apoyo al consumidor.



Página Web de GE Appliances

GEAppliances.com

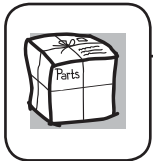
¿Tiene alguna pregunta sobre su electrodoméstico? ¡Pruebe la página Web de GE Appliances, cualquier día del año! Para mayor conveniencia y servicio más rápido, ya puede descargar los Manuales de los Propietarios, pedir piezas o incluso hacer una cita en línea para que vengan a realizar una reparación.

Real Life Design Studio (Estudio de diseño para la vida real)

GEAppliances.com



GE apoya el concepto de Diseño Universal—productos, servicios y ambientes que pueden usar gente de todas las edades, tamaños y capacidades. Reconocemos la necesidad de diseñar para una gran gama de habilidades y dificultades físicas y mentales. Para más detalles sobre las aplicaciones de GE Diseño Universal, incluyendo ideas de diseño para la cocina para personas con discapacidades, mire nuestra página Web hoy mismo. Para personas con dificultades auditivas, favor de llamar al 800.TDD.GEAC (800.833.4322).



Piezas y accesorios

GEAppliances.com

Aquellos individuos con la calificación necesaria para reparar sus propios electrodomésticos pueden pedir que se les manden las piezas o accesorios directamente a sus hogares (aceptamos las tarjetas VISA, MasterCard y Discover). Haga su pedido en línea hoy, 24 horas cada día o llame por teléfono al 800.626.2002 durante horas normales de oficina.

Las instrucciones descritas en este manual cubren los procedimientos a seguir por cualquier usuario. GE no está ni apoya que se le proporcione ningún servicio al acondicionador de aire. Vehementemente recomendamos que usted no intente proporcionar servicio al acondicionador de aire usted mismo.



Póngase en contacto con nosotros

GEAppliances.com

Si no está satisfecho con el servicio que recibe de GE, póngase en contacto con nosotros en nuestra página Web indicando todos los detalles así como su número de teléfono o escribanos a:

General Manager, Customer Relations
GE Appliances, Appliance Park
Louisville, KY 40225