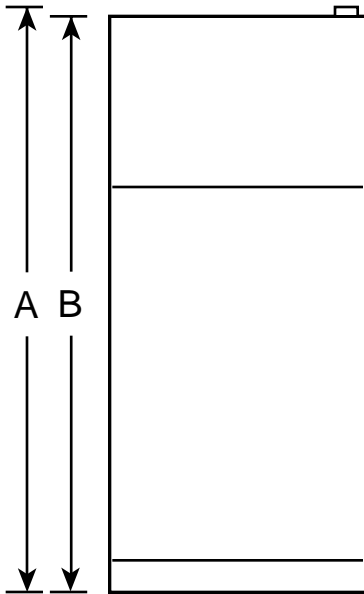


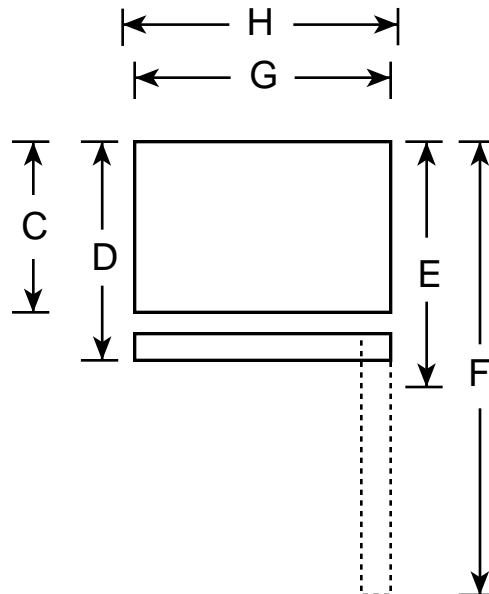
HOTPOINT®

HTS20GCN – Hotpoint 20.0 Cu. Ft. Top-Freezer Refrigerator

Front View



Top View



Overall Dimensions	Height to top of hinge (in.) A	68-1/8
	Height to top of case (in.) B	67-1/2
	Case depth without door (in.) C	27-1/2
	Depth less door handle (in.) D	30-5/8
	Depth with door handle (in.) E	32-5/8
	Depth with fresh food door open 90° (in.) F	57-15/16
	Width (in.) G	29-1/2
Air Clearances	Width with Door open 90° less door handles (in.) H	30-3/4
	Each side (in.)	1/8
	Top (in.)	1
	Back (in.)	1

Note: Before installing, consult installation instructions packed with product for current dimensional data.



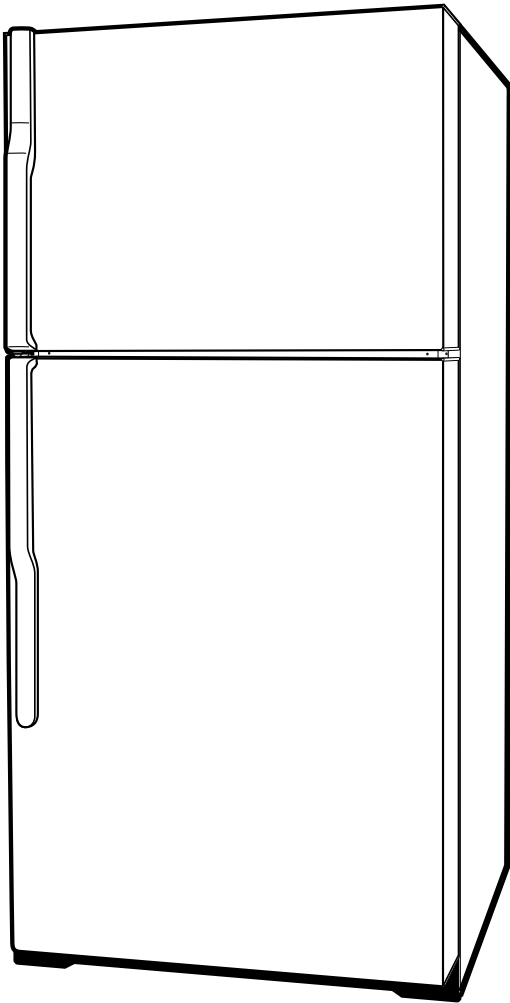
Total volume and shelf area are calculated by the Association of Home Appliance Manufacturers' standards.



Listed by Underwriters Laboratories



HTS20GCN – Hotpoint 20.0 Cu. Ft. Top-Freezer Refrigerator



Features and Benefits

- 20.02 cu. ft. Capacity (Fresh Food 14.61 cu. ft./Freezer 5.41 cu. ft.)
- 2 Adjustable, Full-Width Glass Fresh Food Cabinet Shelves
- Upfront Temperature Controls (Fresh Food Section Only)
- 2 Clear Fruit/Vegetable Crispers
- 3 (2 Adjustable/1 Fixed) Full-Width Fresh Food Gallon Door Bins
- Factory-Installed Automatic Icemaker
- 1 Adjustable Full-Width Everwhite Freezer Compartment Shelf
- Snack Pan
- Dairy Compartment
- 2 Fixed Freezer Door Shelves
- 1 Ice 'N Easy Tray
- Color-Matched Door Handles
- Model HTS20GCNWW – White on white
- Model HTS20GCNCC – Bisque on bisque