

# Installation Instructions

# Above the Cooktop Oven

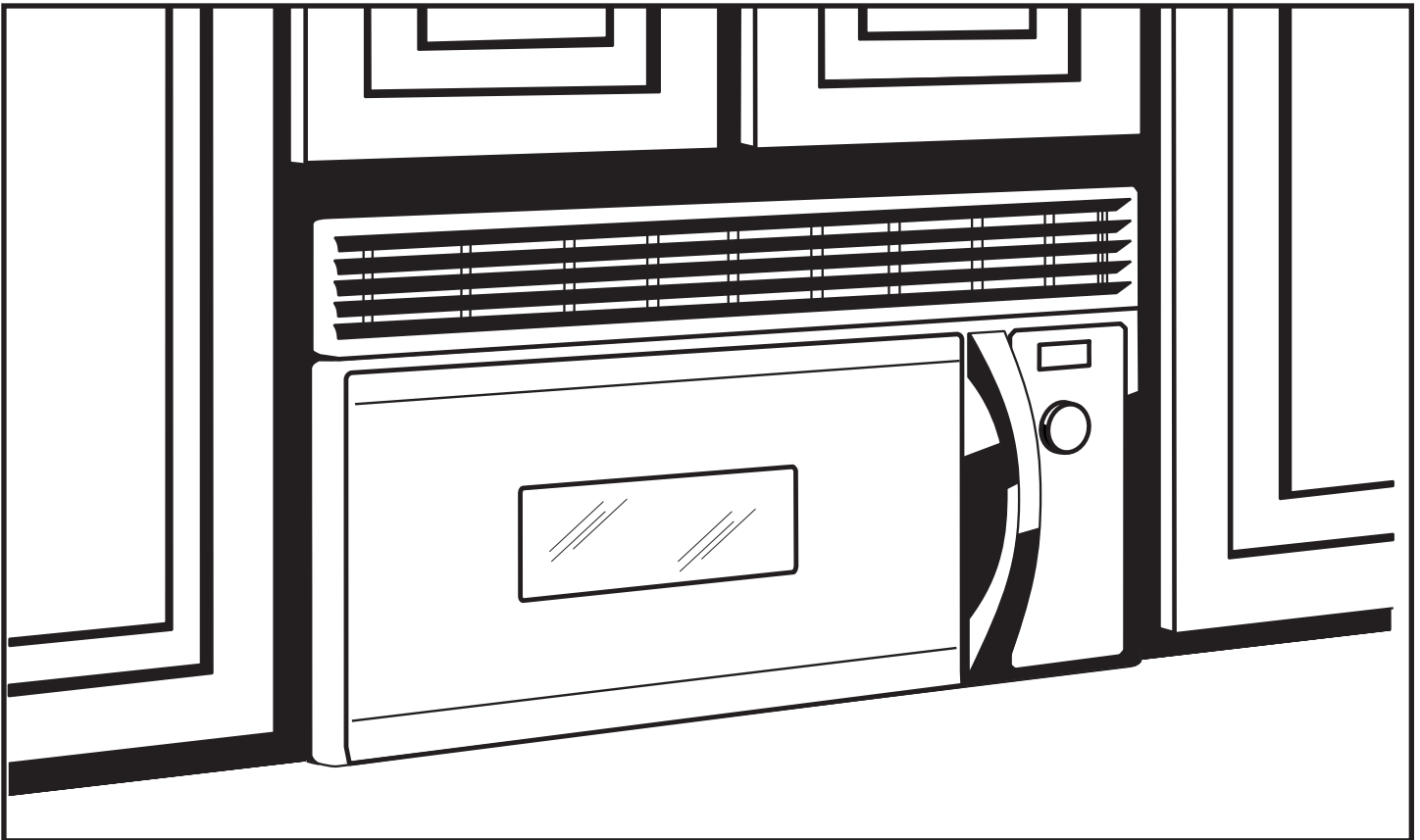
JVM1490, JVM1790, SCA1000, SCA1001

Questions? Call 800-GE-CARES (800-432-2737) or Visit our Website at: [ge.com](http://ge.com)

## BEFORE YOU BEGIN

Read these instructions completely and carefully.

- **IMPORTANT** – Save these instructions for local inspector's use.
- **IMPORTANT** – Observe all governing codes and ordinances.
- **Note to Installer** – Be sure to leave these instructions with the Consumer.
- **Note to Consumer** – Keep these instructions for future reference.
- **Skill level** – Installation of this appliance requires basic mechanical and electrical skills.
- Proper installation is the responsibility of the installer.
- Product failure due to improper installation is not covered under the Warranty.



LA SECCIÓN EN ESPAÑOL  
EMPIEZA EN LA PÁGINA 25.

READ CAREFULLY.  
KEEP THESE INSTRUCTIONS.

# Installation Instructions

## CONTENTS

### General information

Important Safety Instructions .....	3
Electrical Requirements .....	3
Hood Exhaust .....	4, 5
Damage – Shipment/Installation.....	6
Parts Included.....	6
Tools You Will Need .....	7
Mounting Space .....	7

### Step-by-step installation guide

Placement of Mounting Plate .....	8–10
Removing the Mounting Plate .....	8
Finding the Wall Studs .....	8
Determining Wall Plate Location .....	9
Aligning the Wall Plate.....	10

### Installation Types..... 11–22

<b>A</b> Outside Top Exhaust .....	12–14
Attach Mounting Plate to Wall .....	12
Preparation of Top Cabinet .....	13
Checking for Proper Damper Operation.....	13
Mount the Oven .....	13, 14
Adjust the Exhaust Adaptor .....	14
Connecting Ductwork.....	14

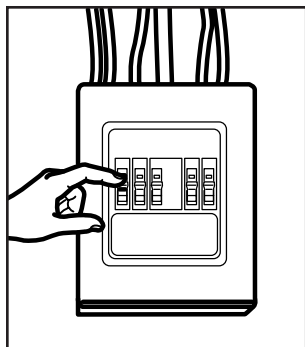
<b>B</b> Outside Back Exhaust.....	15–18
Preparing Rear Wall for Outside Back Exhaust.....	15
Attach Mounting Plate to Wall .....	15, 16
Preparation of Top Cabinet .....	16
Adapting Blower for Outside Back Exhaust.....	16, 17
Mount the Oven .....	18

<b>C</b> Recirculating .....	19–22
Attach Mounting Plate to Wall .....	19
Preparation of Top Cabinet .....	19
Adapting Blower for Recirculation .....	20, 21
Mount the Oven .....	21, 22
Installing the Charcoal Filter .....	22
<b>Before You Use Your Oven .....</b>	<b>23</b>
<b>Sección en Español .....</b>	<b>25–47</b>

# Installation Instructions

## IMPORTANT SAFETY INSTRUCTIONS

This product requires a three-prong grounded outlet. The installer must perform a ground continuity check on the power outlet box before beginning the installation to insure that the outlet box is properly grounded. If not properly grounded, or if the outlet box does not meet electrical requirements noted (under ELECTRICAL REQUIREMENTS), a qualified electrician should be employed to correct any deficiencies.



**CAUTION:** For personal safety, remove house fuse or open circuit breaker before beginning installation to avoid severe or fatal shock injury.

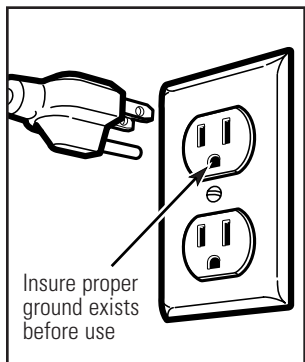
**CAUTION:** For personal safety, the mounting surface must be capable of supporting the cabinet load, in addition to the added weight of this 63-85 pound product, plus additional oven loads of up to 50 pounds or a total weight of 113-135 pounds.

**CAUTION:** For personal safety, this product cannot be installed in cabinet arrangements such as an island or a peninsula. It must be mounted to **BOTH** a top cabinet **AND** a wall.

**NOTE:** For easier installation and personal safety, it is recommended that two people install this product.

**IMPORTANT—PLEASE READ CAREFULLY. FOR PERSONAL SAFETY, THIS APPLIANCE MUST BE PROPERLY GROUNDED TO AVOID SEVERE OR FATAL SHOCK.**

The power cord of this appliance is equipped with a three-prong (grounding) plug which mates with a standard three-prong (grounding) wall receptacle to minimize the possibility of electric shock hazard from this appliance.



**You should have the wall receptacle and circuit checked by a qualified electrician to make sure the receptacle is properly grounded.**

**Where a standard two-prong wall receptacle is encountered, it is very important to have it replaced with a properly grounded three-prong wall receptacle, installed by a qualified electrician.**

**DO NOT, UNDER ANY CIRCUMSTANCES, CUT, DEFORM, OR REMOVE ANY OF THE PRONGS FROM THE POWER CORD. DO NOT USE WITH AN EXTENSION CORD.**

## ELECTRICAL REQUIREMENTS

Product rating is 120 volts AC, 60 Hertz, 15 amps, and 1.70 kilowatts. This product must be connected to a supply circuit of the proper voltage and frequency. Wire size must conform to the requirements of the National Electrical Code or the prevailing local code for this kilowatt rating. The power supply cord and plug should be brought to a separate 15 to 20 ampere branch circuit single grounded outlet. The outlet box should be located in the cabinet above the oven. The outlet box and supply circuit should be installed by a qualified electrician and conform to the National Electrical Code or the prevailing local code.

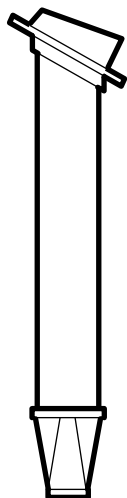
# Installation Instructions

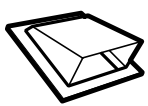


## HOOD EXHAUST

**NOTE:** Read these next two pages only if you plan to vent your exhaust to the outside.  
If you plan to recirculate the air back into the room, proceed to page 6.

### OUTSIDE TOP EXHAUST (EXAMPLE ONLY)

The following chart describes an example of one possible ductwork installation.



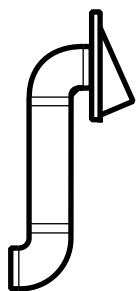
DUCT PIECES		EQUIVALENT LENGTH	x	NUMBER USED	=	EQUIVALENT LENGTH
	Roof Cap	24 Ft.	x	(1)	=	24 Ft.
	12 Ft. Straight Duct (6" Round)	12 Ft.	x	(1)	=	12 Ft.
	Rectangular-to-Round Transition Adaptor*	5 Ft.	x	(1)	=	5 Ft.
<b>Total Length =</b>						<b>41 Ft.</b>




Equivalent lengths of duct pieces are based on actual tests and reflect requirements for good venting performance with any vent hood.

**\*IMPORTANT:** If a rectangular-to-round transition adaptor is used, the bottom corners of the damper will have to be cut to fit, using the tin snips, in order to allow free movement of the damper.

### OUTSIDE BACK EXHAUST (EXAMPLE ONLY)

The following chart describes an example of one possible ductwork installation.



DUCT PIECES		EQUIVALENT LENGTH*	x	NUMBER USED	=	EQUIVALENT LENGTH
	Wall Cap	40 Ft.	x	(1)	=	40 Ft.
	3 Ft. Straight Duct (3¼" x 10" Rectangular)	3 Ft.	x	(1)	=	3 Ft.
	90° Elbow	10 Ft.	x	(2)	=	20 Ft.
Equivalent lengths of duct pieces are based on actual tests and reflect requirements for good venting performance with any vent hood.						

**NOTE:** For back exhaust, care should be taken to align exhaust with space between studs, or wall should be prepared at the time it is constructed by leaving enough space between the wall studs to accommodate exhaust.

# Installation Instructions

**NOTE:** If you need to install ducts, note that the total duct length of 3/4" x 10" rectangular or 6" diameter round duct **should not exceed 140 equivalent feet**. Outside ventilation requires a HOOD EXHAUST DUCT. Read the following carefully.

**NOTE:** It is important that venting be installed using the most direct route and with as few elbows as possible. This ensures clear venting of exhaust and helps prevent blockages. **Also, make sure dampers swing freely and nothing is blocking the ducts.**

### Exhaust connection:

The hood exhaust has been designed to mate with a standard 3/4" x 10" rectangular duct.





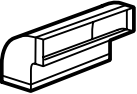
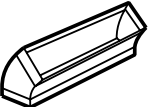
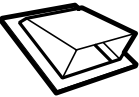

If a round duct is required, a rectangular-to-round transition adaptor must be used. **Do not use less than a 6" diameter duct.**

### Maximum duct length:

For satisfactory air movement, the total duct length of 3/4" x 10" rectangular or 6" diameter round duct **should not exceed 140 equivalent feet**.

### Elbows, transitions, wall and roof caps, etc.,

present additional resistance to airflow and are equivalent to a section of straight duct which is longer than their actual physical size. When calculating the total duct length, add the equivalent lengths of all transitions and adaptors plus the length of all straight duct sections. The chart below shows you how to calculate total equivalent ductwork length using the approximate feet of equivalent length of some typical ducts.

DUCT PIECES	EQUIVALENT LENGTH	x	NUMBER USED	=	EQUIVALENT LENGTH
 Rectangular-to-Round Transition Adaptor*	5 Ft.	x	( )	=	Ft.
 Wall Cap	40 Ft.	x	( )	=	Ft.
 90° Elbow	10 Ft.	x	( )	=	Ft.
 45° Elbow	5 Ft.	x	( )	=	Ft.
 90° Elbow	25 Ft.	x	( )	=	Ft.
 45° Elbow	5 Ft.	x	( )	=	Ft.
 Roof Cap	24 Ft.	x	( )	=	Ft.
 Straight Duct 6" Round or 3/4" x 10" Rectangular	1 Ft.	x	( )	=	Ft.
<b>Total Ductwork</b>				<b>=</b>	<b>Ft.</b>



\* **IMPORTANT:** If a rectangular-to-round transition adaptor is used, the bottom corners of the damper will have to be cut to fit, using the tin snips, in order to allow free movement of the damper.

Equivalent lengths of duct pieces are based on actual tests and reflect requirements for good venting performance with any vent hood.

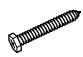
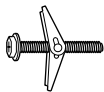


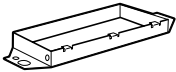



# Installation Instructions

## DAMAGE – SHIPMENT/ INSTALLATION

- If the unit is damaged in shipment, return the unit to the store in which it was bought for repair or replacement.
- If the unit is damaged by the customer, repair or replacement is the responsibility of the customer.
- If the unit is damaged by the installer (if other than the customer), repair or replacement must be made by arrangement between customer and installer.

## PARTS INCLUDED

### HARDWARE PACKET

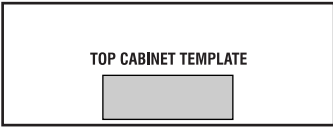
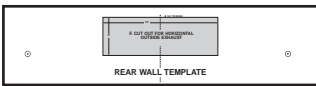

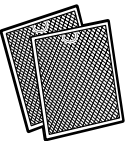
PART		QUANTITY
	Wood Screws (1/4" x 2")	2
	Toggle Bolts (and wing nuts) (1/4" x 3")	4
	Self-aligning Machine Screws (1/4"-28 x 3 1/4")	3 2 (JVM1790 only)
	Self-aligning Machine Screw (1/4"-28 x 2 5/8")	1 (JVM1790 only)
	Nylon Grommet (for metal cabinets)	2
	Exhaust Adaptor	1
	Damper	1
	Metal Screws (1/8" x 1/2")	1 black
		2 bronze
	Power Cord Strap (plastic)	1

You will find the installation hardware contained in a packet with the unit. Check to make sure you have all these parts.

**NOTE:** Some extra parts are included.

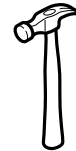
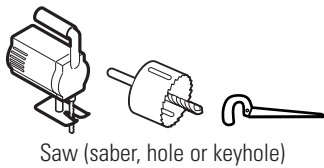
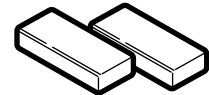
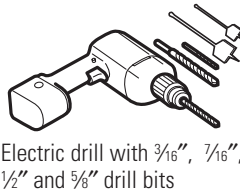
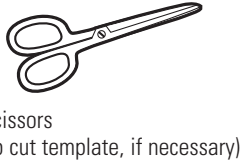
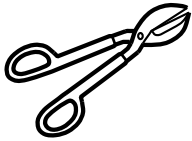
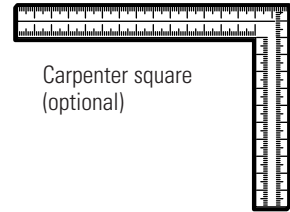
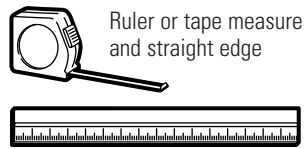
## PARTS INCLUDED

### ADDITIONAL PARTS

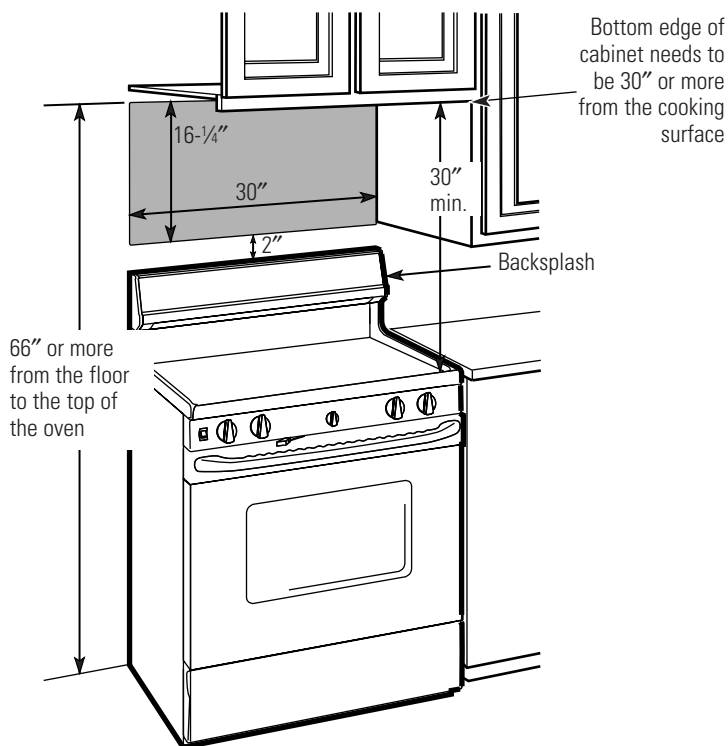
PART		QUANTITY
	Top Cabinet Template	1
	Rear Wall Template	1
	Installation Instructions	1
	Separately Packed Grease Filters	2

# Installation Instructions

## TOOLS YOU WILL NEED



## MOUNTING SPACE



### NOTES:

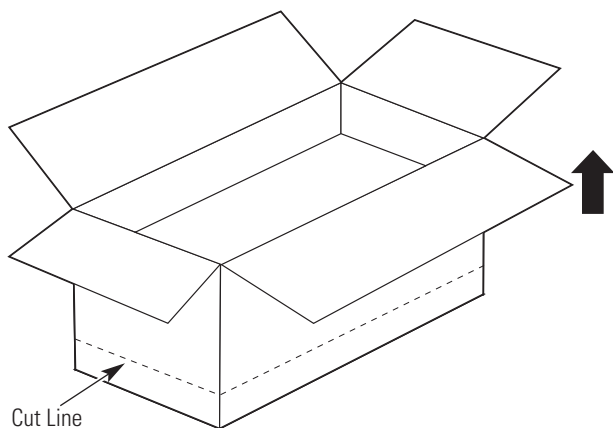
- The space between the cabinets must be 30" wide and free of obstructions.
- If the space between the cabinets is greater than 30", a Filler Panel Kit may be used to fill in the gap between the oven and the cabinets. Your Owner's Manual contains the kit number for your model.
- This oven is for installation over ranges up to 36" wide.
- If you are going to vent your oven to the outside, see Hood Exhaust Section for exhaust duct preparation.
- **When installing the oven beneath smooth, flat cabinets, be careful to follow the instructions on the top cabinet template for power cord clearance.**
- **The depth of the opening cannot be more than 13-1/2".**

# Installation Instructions

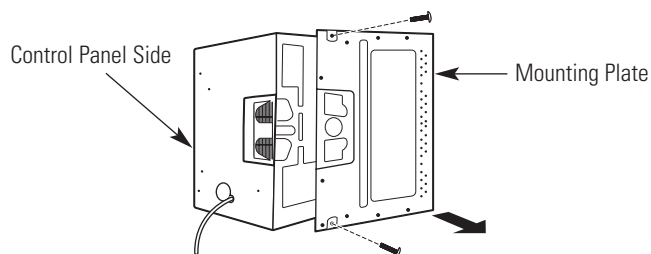
## 1 PLACEMENT OF THE MOUNTING PLATE

### A. REMOVING THE OVEN FROM THE CARTON/REMOVING THE MOUNTING PLATE

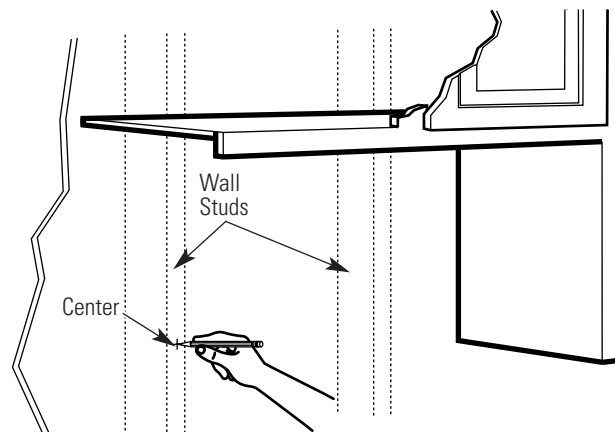
- 1 Open top of box and remove Styrofoam pack containing installation instructions, filters, exhaust adaptor, damper, and the small hardware bag.
- 2 Locate cut line at the bottom of the box and carefully cut along the indicated dotted line. Then pull the carton up and off the unit.



- 3 Remove the styrofoam protecting the front of the oven. Open the oven door and remove any contents from inside.
- 4 Using a portion of the carton or other material to protect the outer casing from damage, stand the oven on its side so the control panel is nearest to the ground.
- 5 The mounting plate is attached to the back of the oven. Remove the two screws holding the plate to the oven. The plate will serve as the rear wall template and provide the support to mount the oven to the wall.
- 6 Once the plate has been removed, set the oven upright. Remove and properly discard the plastic bags and Styrofoam.
- 7 Check to ensure that all adhesive tape has been removed from exhaust adapters, grease filters, and the power supply cord.



### B. FINDING THE WALL STUDS



- 1 Find the studs, using one of the following methods:
  - A. Stud finder—a magnetic device which locates nails.

**OR**

  - B. Use a hammer to tap lightly across the mounting surface to find a solid sound. This will indicate a stud location.
- 2 After locating the stud(s), find the center by probing the wall with a small nail to find the edges of the stud. Then place a mark halfway between the edges. The center of any adjacent studs should be 16" or 24" from this mark.
- 3 Draw a line down the center of the studs.

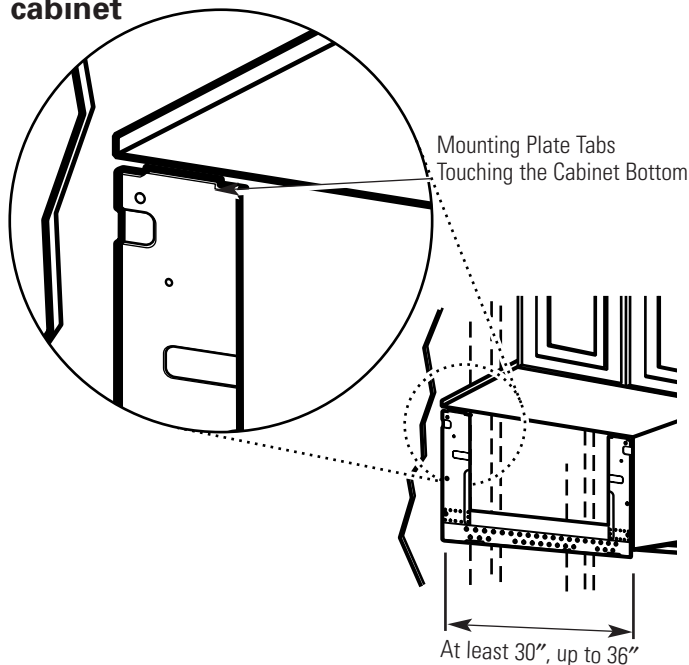
**THE OVEN MUST BE CONNECTED TO AT LEAST ONE WALL STUD.**



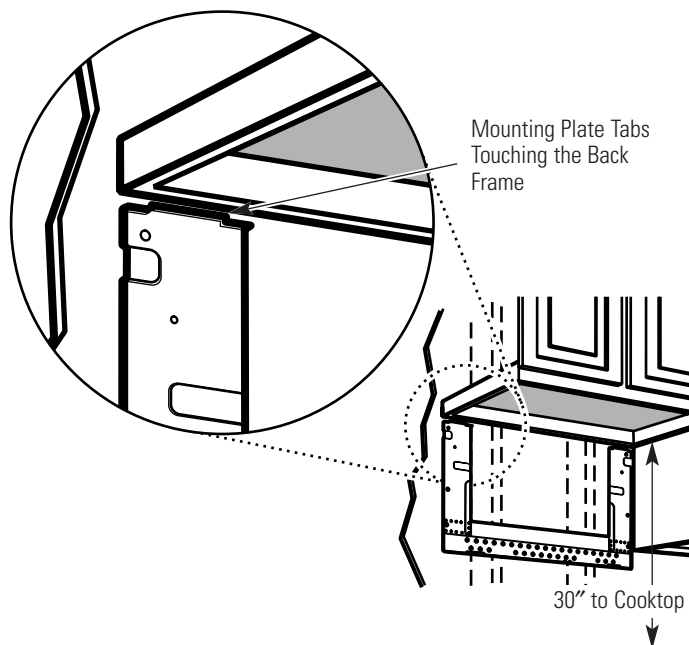
# Installation Instructions

## C. DETERMINING WALL PLATE LOCATION UNDER YOUR CABINET

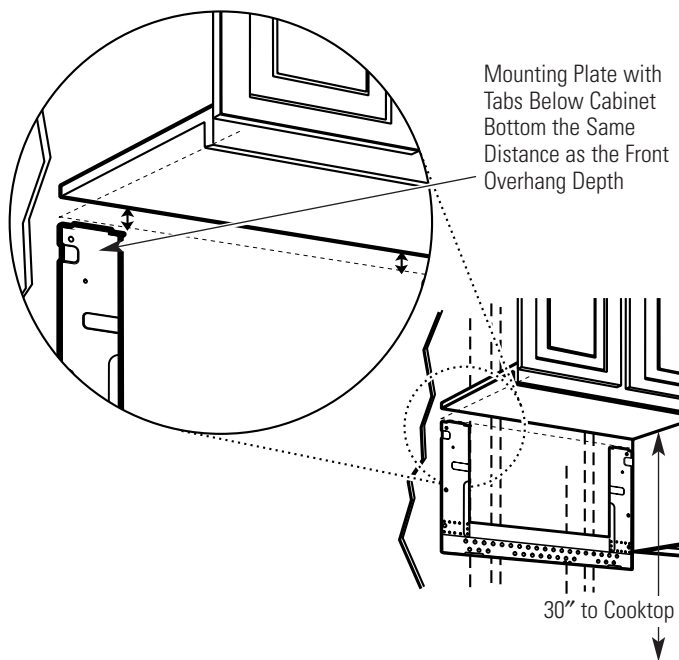
### Plate position – beneath flat bottom cabinet



### Plate position – beneath framed recessed cabinet bottom



### Plate position – beneath recessed bottom cabinet with front overhang



Your cabinets may have decorative trim that interferes with the oven installation. Remove the decorative trim to install the oven properly and to make it level.

#### THE OVEN MUST BE LEVEL.

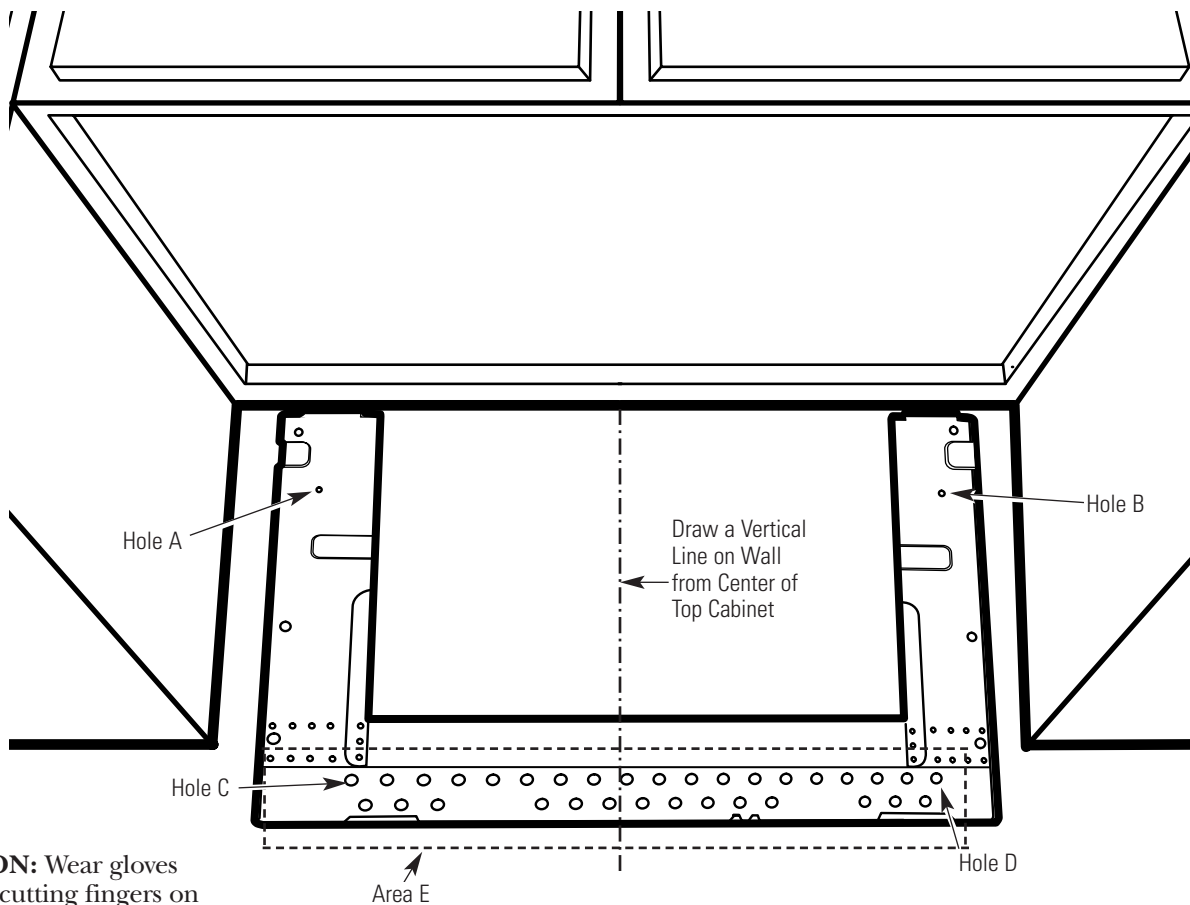
Use a level to make sure the cabinet bottom is level.

If the cabinets have a front overhang only, with no back or side frame, install the mounting plate down the same distance as the front overhang depth. This will keep the oven level.

- 1 Measure the inside depth of the front overhang.
- 2 Draw a horizontal line on the back wall an equal distance below the cabinet bottom as the inside depth of the front overhang.
- 3 For this type of installation with front overhang only, align the mounting tabs with this horizontal line, not touching the cabinet bottom as described in Step D.

# Installation Instructions

## D. ALIGNING THE WALL PLATE



**CAUTION:** Wear gloves to avoid cutting fingers on sharp edges.

- 1 Draw a vertical line on the wall at the center of the 30" wide space.
- 2 Use the mounting plate **as the template** for the rear wall. Place the mounting plate on the wall, making sure that the tabs are **touching the bottom of the cabinet or the level line drawn in Step C for cabinets with front overhang. Line up the notch and center line on the mounting plate to the center line on the wall.**
- 3 While holding the mounting plate with one hand, draw circles on the wall at holes A, B, C and D (see illustration above/actual plate marked with arrows). **Four holes must be used for mounting.**

**NOTE:** Holes C and D are inside area E. If neither C nor D is in a stud, find a stud somewhere in area E and draw a fifth circle to line up with the stud. It is important to use **at least one wood screw mounted firmly in a stud** to support the weight of the oven. **Set the mounting plate aside.**

- 4 Drill holes on the circles. If there is a stud, drill a  $\frac{3}{16}$ " hole for wood screws. For holes that don't line up with a stud, drill a  $\frac{5}{8}$ " hole for toggle bolts.

**NOTE: DO NOT MOUNT THE PLATE AT THIS TIME.**

# Installation Instructions

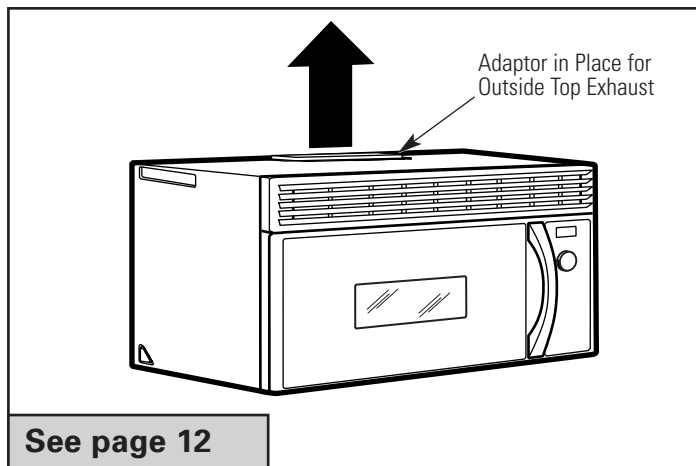
## 2 INSTALLATION TYPES (Choose A, B or C)

This oven is designed for adaptation to the following 3 types of ventilation:

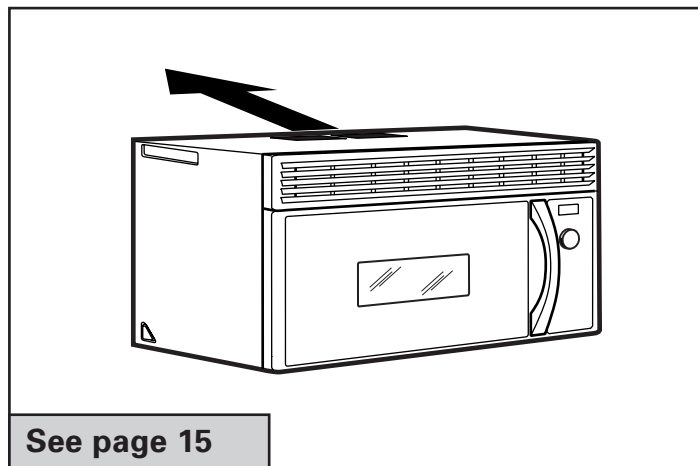
- A. Outside Top Exhaust (Vertical Duct)
- B. Outside Back Exhaust (Horizontal Duct)
- C. Recirculating (Non-Vented Ductless)

**NOTE:** This oven is shipped assembled for Outside Top Exhaust. Select the type of ventilation required for your installation and proceed to that section.

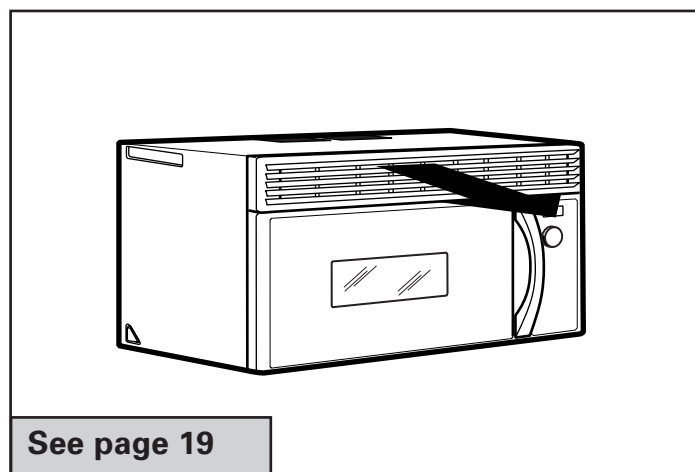
### A OUTSIDE TOP EXHAUST (VERTICAL DUCT)



### B OUTSIDE BACK EXHAUST (HORIZONTAL DUCT)



### C RECIRCULATING (NON-VENTED DUCTLESS)



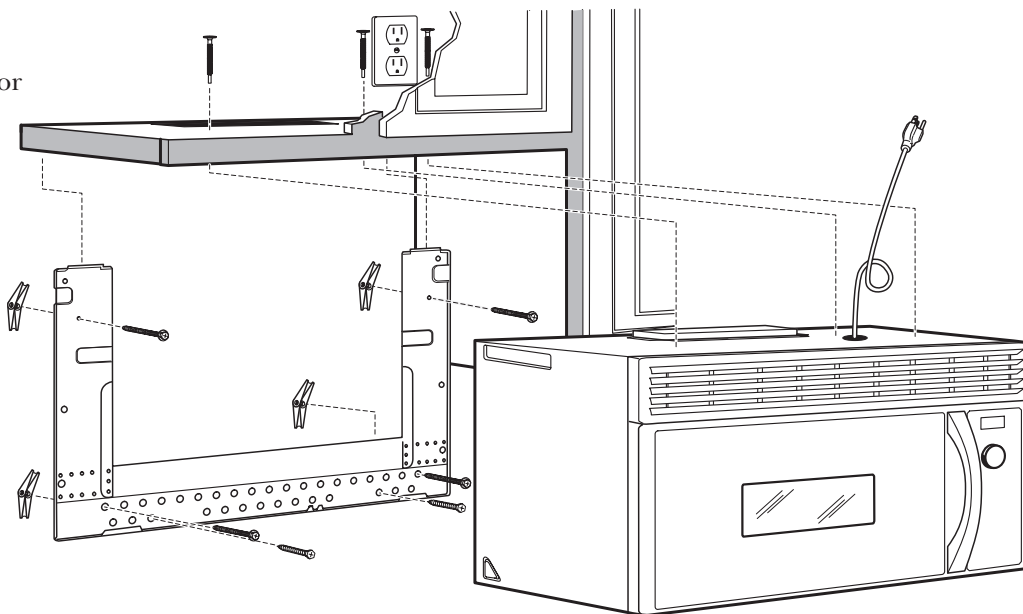
A Charcoal Filter Accessory Kit is required for the non-vented exhaust. (See your Owner's Manual for the kit number.)

# Installation Instructions

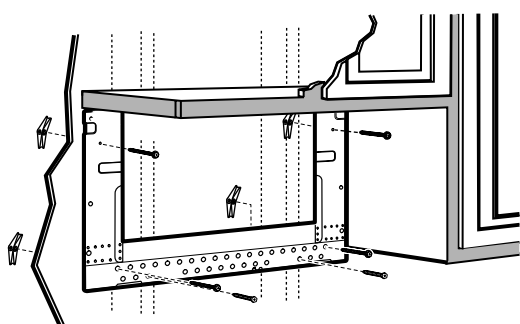
## A OUTSIDE TOP EXHAUST (Vertical Duct)

### INSTALLATION OVERVIEW

- A1. Attach Mounting Plate to Wall
- A2. Prepare Top Cabinet
- A3. Install Adapter
- A4. Mount Oven
- A5. Adjust Exhaust Adaptor
- A6. Connect Ductwork



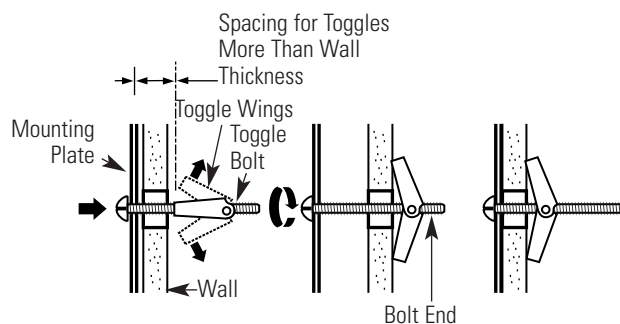
### A1. ATTACH THE MOUNTING PLATE TO THE WALL



Attach the plate to the wall using toggle bolts. At least one wood screw must be used to attach the plate to a wall stud.

- 1 Remove the toggle wings from the bolts.
- 2 Insert the bolts into the mounting plate through the holes designated to go into drywall and reattach the toggle wings to  $\frac{3}{4}$ " onto each bolt.

### To use toggle bolts:



- 3 Place the mounting plate against the wall and insert the toggle wings into the holes in the wall to mount the plate.

**NOTE:** Before tightening toggle bolts and wood screw, make sure the tabs on the mounting plate touch the bottom of the cabinet when pushed flush against the wall and that the plate is properly centered under the cabinet.

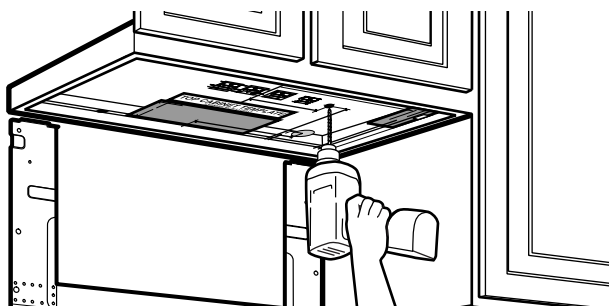
**CAUTION:** Be careful to avoid pinching fingers between the back of the mounting plate and the wall.

- 4 Tighten all bolts. Pull the plate away from the wall to help tighten the bolts.

# Installation Instructions

## A2. USE TOP CABINET TEMPLATE FOR PREPARATION OF TOP CABINET

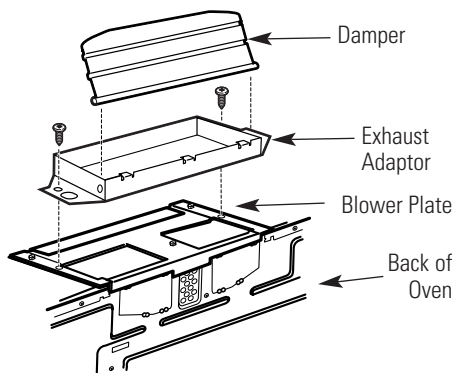
You need to drill holes for the top support screws, a hole large enough for the power cord to fit through, and a cutout large enough for the exhaust adaptor.



- Read the instructions on the TOP CABINET TEMPLATE.
- Tape it underneath the top cabinet.
- Drill the holes, following the instructions on the TOP CABINET TEMPLATE.

**CAUTION:** Wear safety goggles when drilling holes in the cabinet bottom.

## A3. ASSEMBLE AND INSTALL ADAPTOR

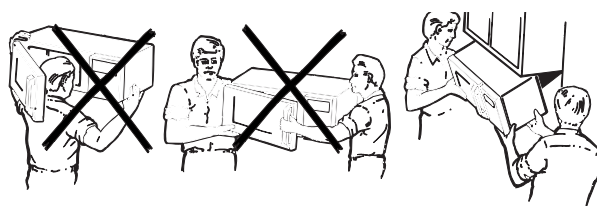


- 1** Place the oven in its upright position, with the top of the unit facing up.
- 2** Insert the tabs on each side of the damper into the holes at the inside rear of the adaptor.
- 3** Attach the exhaust adaptor to the blower plate with the two bronze metal screws provided.

**Make sure that the damper pivots easily before mounting oven.**

You will need to make adjustments to assure proper alignment with your house exhaust duct after the oven is installed.

## A4. MOUNT THE OVEN



FOR EASIER INSTALLATION AND PERSONAL SAFETY, WE RECOMMEND THAT **TWO PEOPLE** INSTALL THIS OVEN.

**IMPORTANT:** Do not grip or use handle during installation.

**NOTE:** If your cabinet is metal, use the nylon grommet around the power cord hole to prevent cutting of the cord.

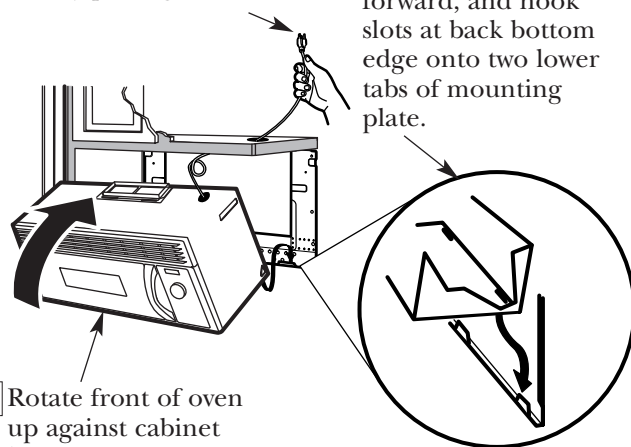
**NOTE:** We recommend using filler blocks if the cabinet front hangs below the cabinet bottom shelf.

**IMPORTANT:** If filler blocks are not used, case damage may occur from over tightening screws.

**NOTE:** When mounting the oven, thread power cord through hole in bottom of top cabinet. Keep it tight throughout Steps 1–3.

Do not pinch cord or lift oven by pulling cord.

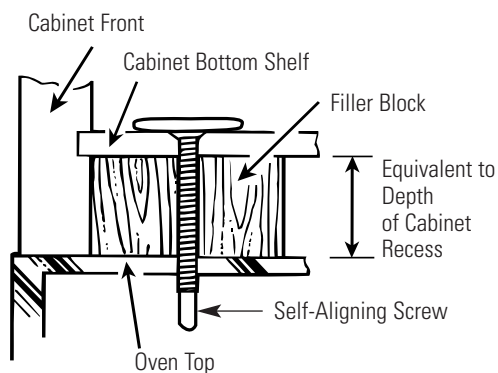
- 1** Lift oven, tilt it forward, and hook slots at back bottom edge onto two lower tabs of mounting plate.



- 2** Rotate front of oven up against cabinet bottom.
- 3** Insert a self-aligning screw through top center cabinet hole. Temporarily secure the oven by turning the screw at least **two full turns** after the threads have engaged. (It will be completely tightened later.) **Be sure to keep power cord tight. Be careful not to pinch the cord, especially when mounting flush to bottom of cabinet.**

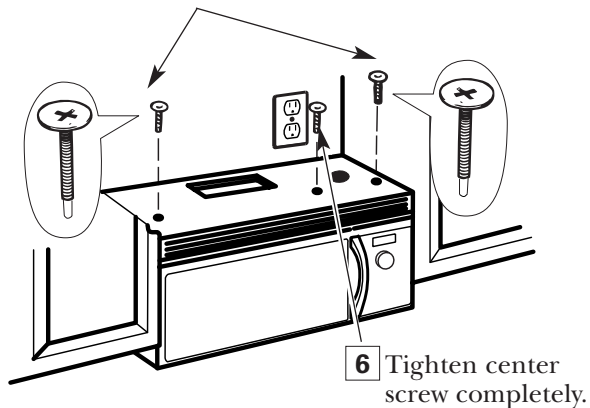
# Installation Instructions

## A4. MOUNT THE OVEN (continued)



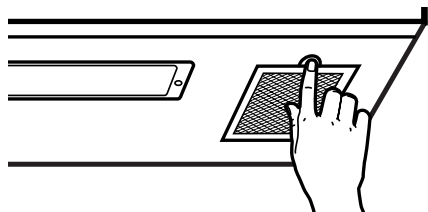
4 Attach the oven to the top cabinet.

5 Insert 2 self-aligning screws ( $\frac{1}{4}$ "-28 x  $3\frac{1}{4}$ ") through outer top cabinet holes. Turn two full turns on each screw.



**NOTE:** Use self-aligning screw,  $\frac{1}{4}$ "-28 x  $2\frac{5}{8}$ ", on JVM1790 and self-aligning screws,  $\frac{1}{4}$ "-28 x  $3\frac{1}{4}$ ", on JVM1490, SCA1000, and SCA1001.

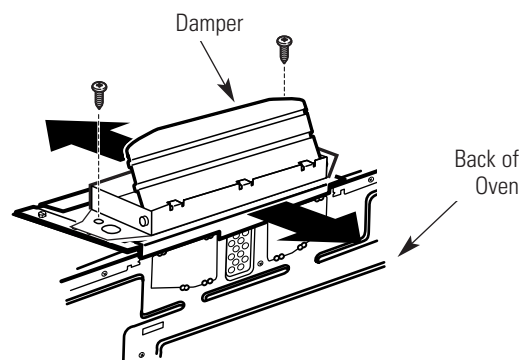
7 Tighten the outer two screws to the top of the oven. (While tightening screws, hold the oven in place against the wall and the top cabinet.)



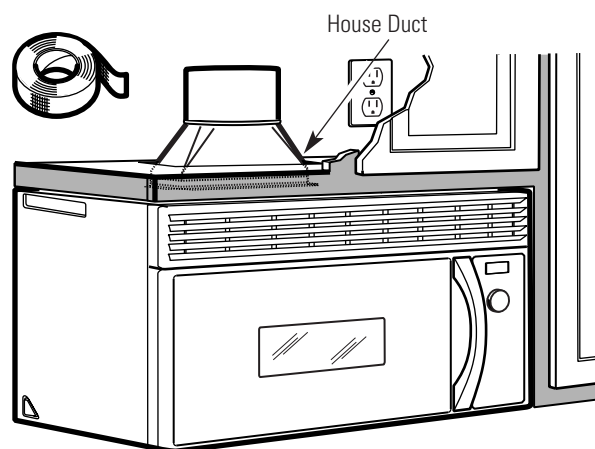
8 Install grease filters. See the Owner's Manual packed with the oven.

## A5. ADJUST THE EXHAUST ADAPTOR

Open the top cabinet and adjust the exhaust adaptor to connect to the house duct.



## A6. CONNECTING DUCTWORK



1 Extend the house duct down to connect to the exhaust adaptor.

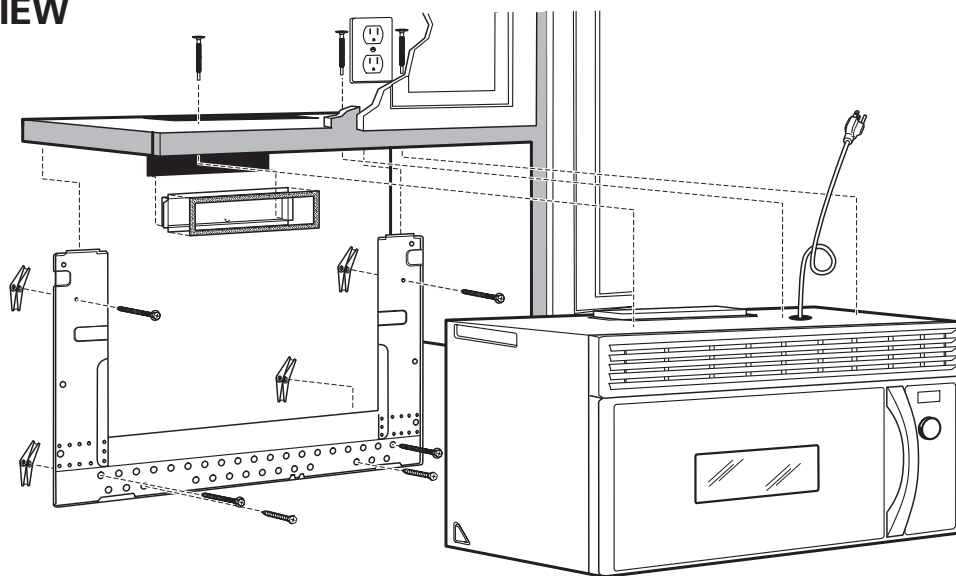
2 Seal exhaust duct joints using duct tape.

# Installation Instructions

## B OUTSIDE BACK EXHAUST (Horizontal Duct)

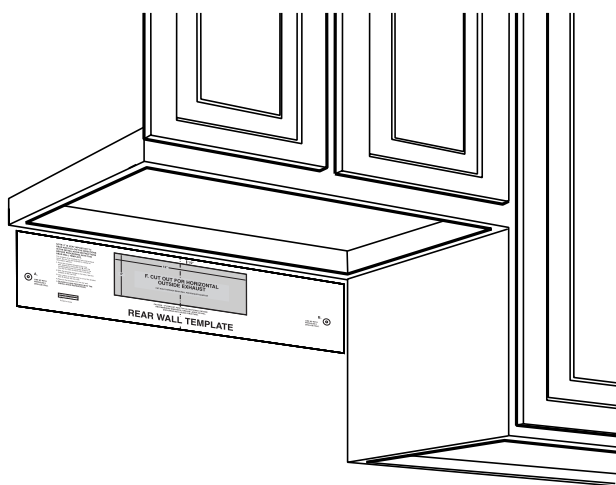
### INSTALLATION OVERVIEW

- B1. Prepare Rear Wall
- B2. Attach Mounting Plate to Wall
- B3. Prepare Top Cabinet
- B4. Adjust Blower
- B5. Mount the Oven



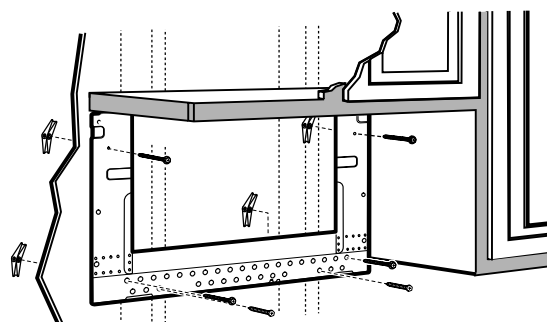
### B1. PREPARING THE REAR WALL FOR OUTSIDE BACK EXHAUST

You need to cut an opening in the rear wall for outside exhaust.



- Read the instructions on the REAR WALL TEMPLATE.
- Tape it to the rear wall, lining up with the holes previously drilled for holes A and B in the wall plate.
- Cut the opening, following the instructions of the REAR WALL TEMPLATE.

### B2. ATTACH THE MOUNTING PLATE TO THE WALL



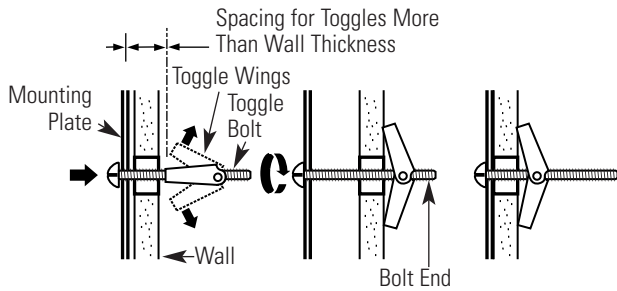
Attach the plate to the wall using toggle bolts. At least one wood screw must be used to attach the plate to a wall stud.

- 1 Remove the toggle wings from the bolts.
- 2 Insert the bolts into the mounting plate through the holes designated to go into drywall and reattach the toggle wings to  $\frac{3}{4}$ " onto each bolt.



# Installation Instructions

## To use toggle bolts:



- Place the mounting plate against the wall and insert the toggle wings into the holes in the wall to mount the plate.

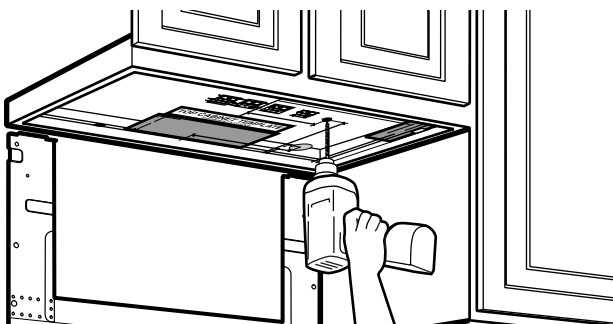
**NOTE:** Before tightening toggle bolts and wood screw, make sure the tabs on the mounting plate touch the bottom of the cabinet when pushed flush against the wall and that the plate is properly centered under the cabinet.

**CAUTION:** Be careful to avoid pinching fingers between the back of the mounting plate and the wall.

- Tighten all bolts. Pull the plate away from the wall to help tighten the bolts.

## B3. USE TOP CABINET TEMPLATE FOR PREPARATION OF TOP CABINET

You need to drill holes for the top support screws and a hole large enough for the power cord to fit through.

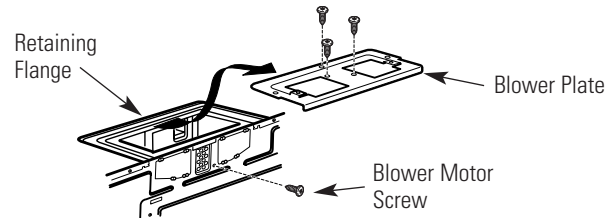


- Read the instructions on the TOP CABINET TEMPLATE.
- Tape it underneath the top cabinet.
- Drill the holes, following the instructions on the TOP CABINET TEMPLATE.

**CAUTION:** Wear safety goggles when drilling holes in the cabinet bottom.

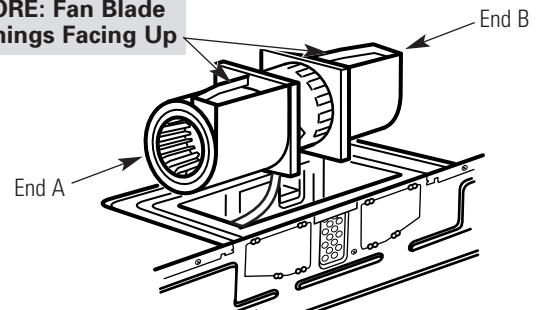
## B4. ADAPTING BLOWER FOR OUTSIDE BACK EXHAUST

- Remove the three screws that hold the blower plate to the oven. Slide blower plate from under its retaining flange. Remove and save the screw that holds blower motor to oven.

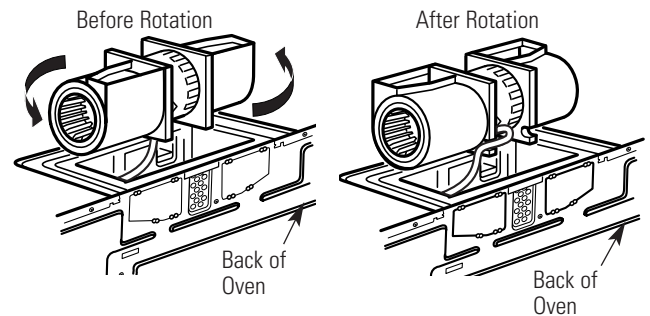


- Carefully pull out the blower unit. The wires will extend far enough to allow you to adjust the blower unit.

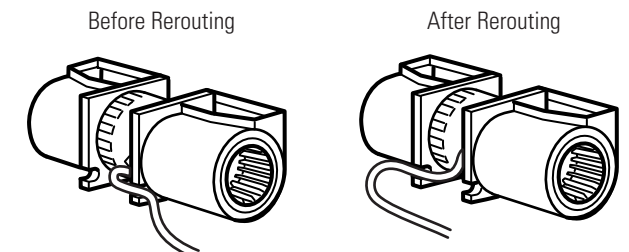
### BEFORE: Fan Blade Openings Facing Up



- Rotate blower unit counterclockwise 180°.



- Gently remove the wires from the grooves. Reroute the wires through grooves on other side of the blower unit.



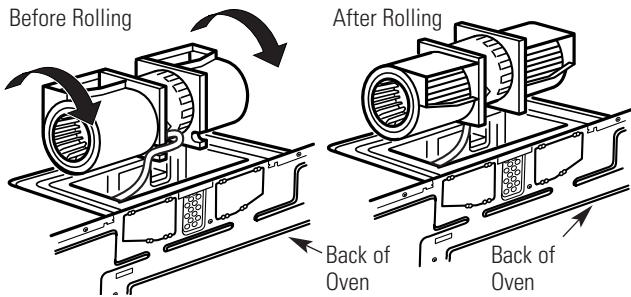
Wires Routed Through Right Side

Wires Routed Through Left Side



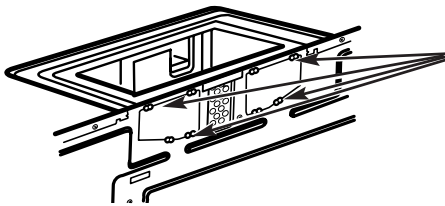
# Installation Instructions

- 5** Roll the blower unit 90° so that fan blade openings are facing out the back of the oven.



- 6** Locate the two “knockout” plates, on the rear oven panel, near the top of the oven.  
Using tin snips, carefully cut the web area from the two holes side-by-side (that secure the knockouts to the oven). Cut all four webs on both rear knockouts; this will allow the ventilation fan airflow to exhaust out the rear of the oven.  
**CAUTION: Be sure to trim the sharp edges from the openings after removing the knockout plates.**

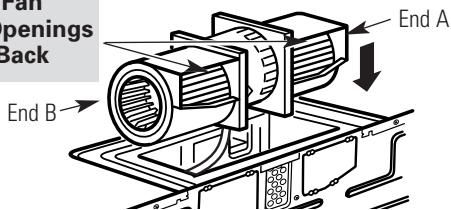
## Oven Rear Panel



Snip all 4 webs on each knockout panel and remove the metal knockouts for rear airflow.

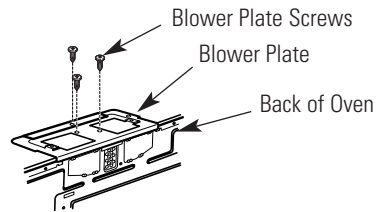
- 7** Place the blower unit back into the opening.

**AFTER: Fan Blade Openings Facing Back**

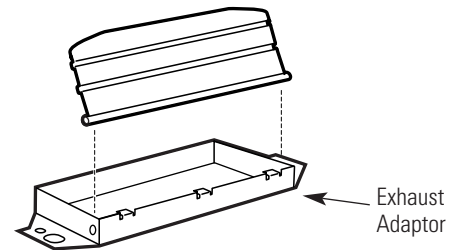


**CAUTION: Do not pull or stretch the blower unit wiring. Make sure the wires are not pinched.**  
**NOTE: The blower unit exhaust openings should match exhaust openings on rear of oven.**

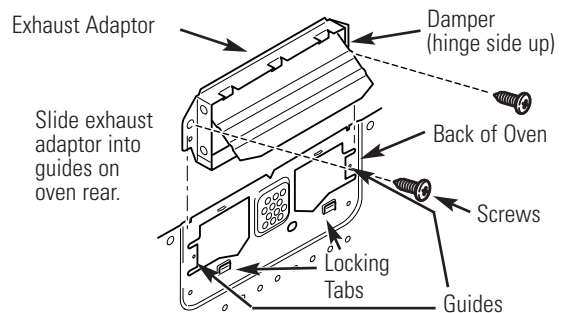
- 8** Replace the blower plate in the same position as before with the screws.



- 9** Insert the tabs on each side of the damper into the holes at the inside rear of the adaptor.



- 10** Attach the exhaust adaptor to the rear of the oven by sliding it into the guides at the top center of the back of the oven.

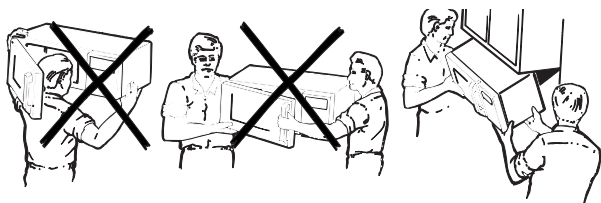


Push in securely until it is in the lower locking tabs. Take care to assure the damper hinge is installed so that it is at the top and that the damper swings freely.

- 11** Secure the exhaust adaptor to the oven with the two bronze metal screws provided.

# Installation Instructions

## B5. MOUNT THE OVEN



FOR EASIER INSTALLATION AND PERSONAL SAFETY, WE RECOMMEND THAT **TWO PEOPLE INSTALL THIS OVEN.**

**IMPORTANT: Do not grip or use handle during installation.**

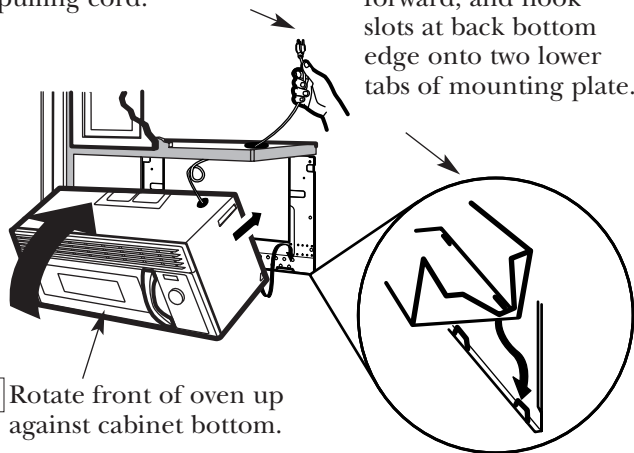
**NOTE:** If your cabinet is metal, use the nylon grommet around the power cord hole to prevent cutting of the cord.

**NOTE:** We recommend using filler blocks if the cabinet front hangs below the cabinet bottom shelf.

**IMPORTANT: If filler blocks are not used, case damage may occur from over tightening screws.**

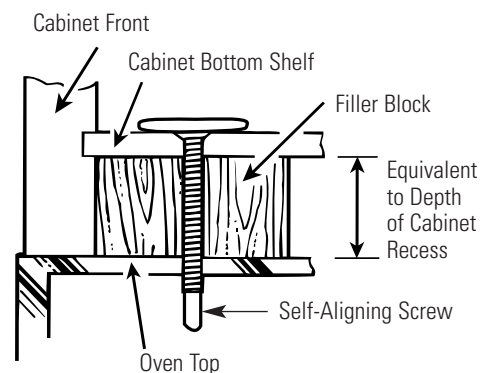
**NOTE:** When mounting the oven, thread power cord through hole in bottom of top cabinet. Keep it tight throughout Steps 1-3. Do not pinch cord or lift oven by pulling cord.

- 1** Lift oven, tilt it forward, and hook slots at back bottom edge onto two lower tabs of mounting plate.



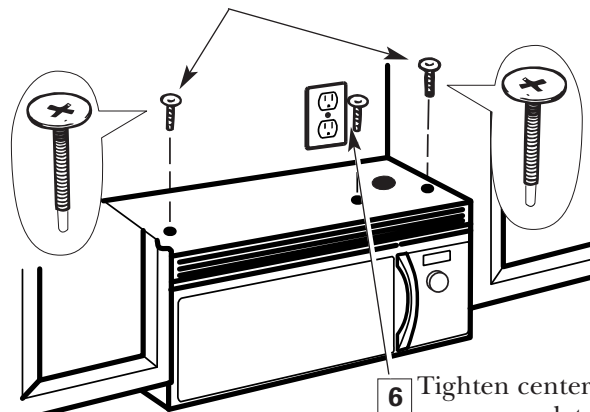
- 2** Rotate front of oven up against cabinet bottom.

- 3** Insert a self-aligning screw through top center cabinet hole. Temporarily secure the oven by turning the screw at least **two full turns** after the threads have engaged. (It will be completely tightened later.) **Be sure to keep power cord tight. Be careful not to pinch the cord, especially when mounting flush to bottom of cabinet.**



- 4** Attach the oven to the top cabinet.

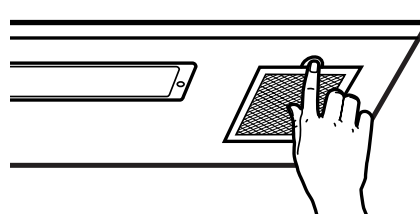
- 5** Insert 2 self-aligning screws ( $\frac{1}{4}$ "-28 x  $3\frac{1}{4}$ ") through outer top cabinet holes. Turn two full turns on each screw.



- 6** Tighten center screw completely.

**NOTE:** Use self-aligning screw,  $\frac{1}{4}$ "-28 x  $2\frac{5}{8}$ ", on JVM1790 and self-aligning screws,  $\frac{1}{4}$ "-28 x  $3\frac{1}{4}$ ", on JVM1490, SCA1000, and SCA1001.

- 7** Tighten the outer two screws to the top of the oven. (While tightening screws, hold the oven in place against the wall and the top cabinet.)



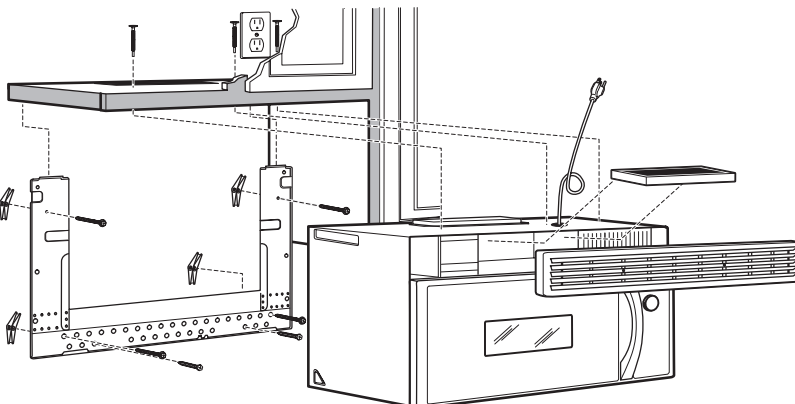
- 8** Install grease filters. See the Owner's Manual packed with the oven.

# Installation Instructions

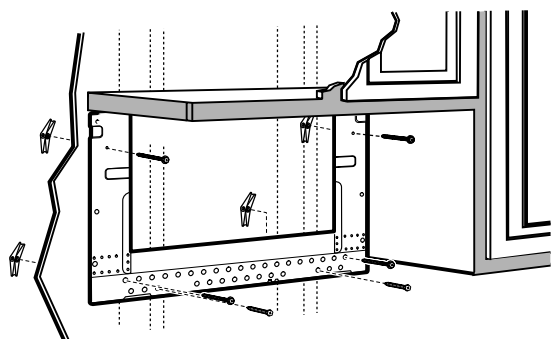
## C RECIRCULATING (Non-Vented Ductless)

### INSTALLATION OVERVIEW

- C1. Attach Mounting Plate to Wall
- C2. Prepare Top Cabinet
- C3. Adjust Blower
- C4. Mount the Oven
- C5. Install Charcoal Filter (not supplied)



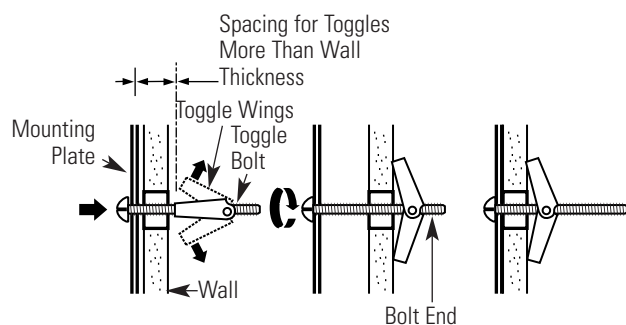
### C1. ATTACH THE MOUNTING PLATE TO THE WALL



Attach the plate to the wall using toggle bolts. At least one wood screw must be used to attach the plate to a wall stud.

- 1 Remove the toggle wings from the bolts.
- 2 Insert the bolts into the mounting plate through the holes designated to go into drywall and reattach the toggle wings to  $\frac{3}{4}$ " onto each bolt.

#### To use toggle bolts:



- 3 Place the mounting plate against the wall and insert the toggle wings into the holes in the wall to mount the plate.

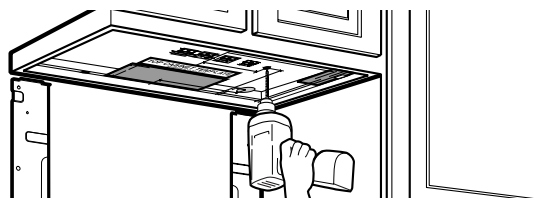
**NOTE:** Before tightening toggle bolts and wood screw, make sure the tabs on the mounting plate touch the bottom of the cabinet when pushed flush against the wall and that the plate is properly centered under the cabinet.

**CAUTION:** Be careful to avoid pinching fingers between the back of the mounting plate and the wall.

- 4 Tighten all bolts. Pull the plate away from the wall to help tighten the bolts.

### C2. USE TOP CABINET TEMPLATE FOR PREPARATION OF TOP CABINET

You need to drill holes for the top support screws and a hole large enough for the power cord to fit through.



- Read the instructions on the TOP CABINET TEMPLATE.
- Tape it underneath the top cabinet.
- Drill the holes, following the instructions on the TOP CABINET TEMPLATE.

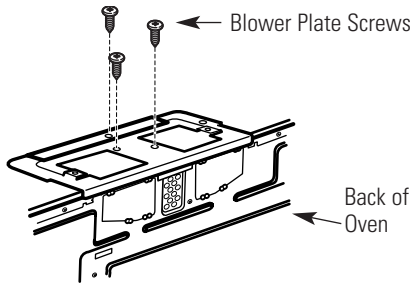
**CAUTION:** Wear safety goggles when drilling holes in the cabinet bottom.

# Installation Instructions

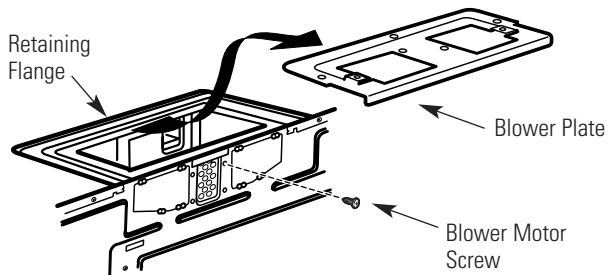
## C3. ADAPTING BLOWER FOR RECIRCULATION

**NOTE:** The exhaust adaptor with damper is not needed for recirculating models. You may want to save them for possible future use.

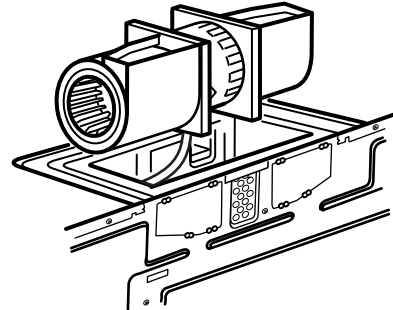
- 1 Remove and save screws that hold blower plate to the oven.



- 2 Slide the blower plate from under its retaining flange and lift it off. Remove and save screw that holds the blower motor to oven.

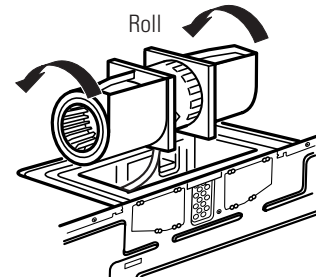
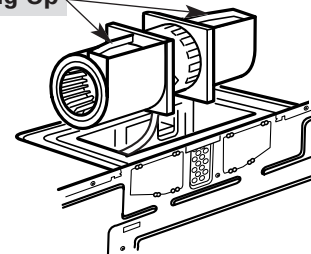


- 3 Carefully pull out the blower unit. The wires will extend far enough to allow you to adjust the blower unit.

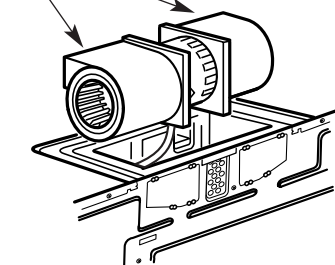


- 4 Roll the blower unit 90° so that fan blade openings are facing toward the front of the oven.

**BEFORE: Fan Blade Openings Facing Up**



**AFTER: Fan Blade Openings Facing Forward**

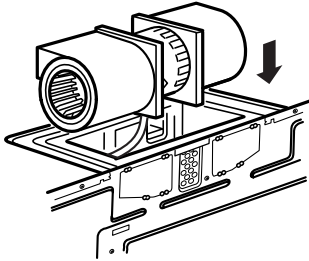


**NOTE:** Make sure wires remain routed in the grooves of the motor frame.

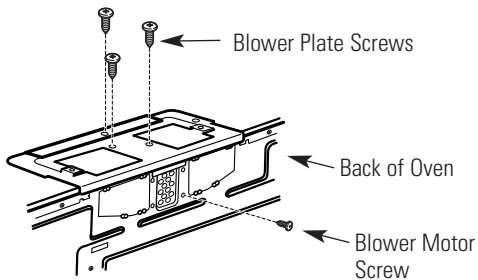
# Installation Instructions

## C3. ADAPTING BLOWER FOR RECIRCULATION (continued)

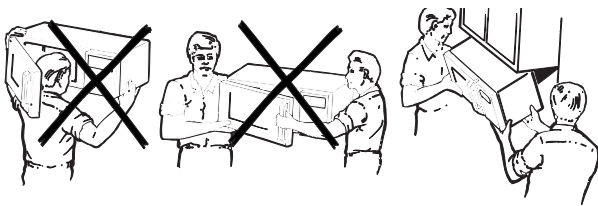
- 5 Place the blower unit back into the opening.  
**CAUTION: Do not pull or stretch the blower unit wiring. Make sure the wires are not pinched.**



- 6 Secure blower unit to oven with the screw removed in Step 2. Insert the screw in **bottom right** screw hole on the back of the oven.  
 7 Replace blower plate with the screws removed in Step 1.



## C4. MOUNT THE OVEN



FOR EASIER INSTALLATION AND PERSONAL SAFETY, WE RECOMMEND THAT **TWO PEOPLE** INSTALL THIS OVEN.

**IMPORTANT: Do not grip or use handle during installation.**

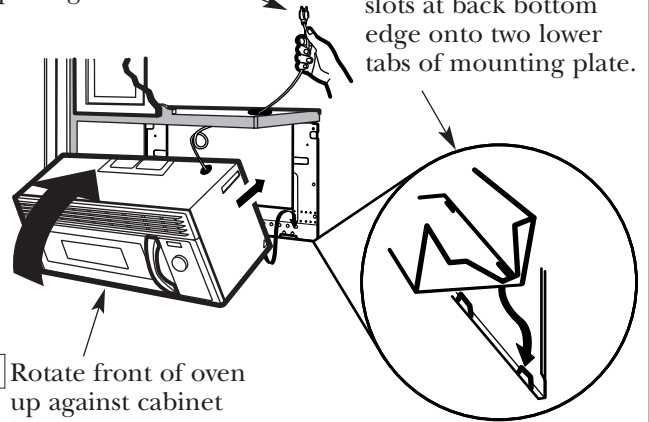
**NOTE:** If your cabinet is metal, use the nylon grommet around the power cord hole to prevent cutting of the cord.

**NOTE:** We recommend using filler blocks if the cabinet front hangs below the cabinet bottom shelf.

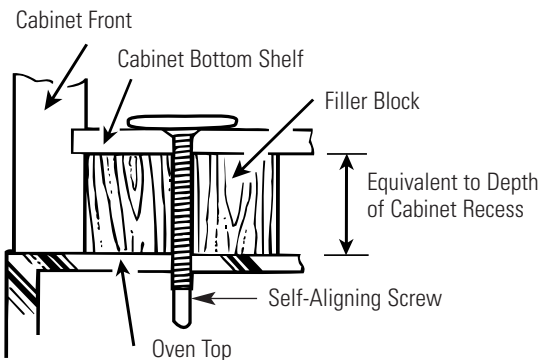
**IMPORTANT: If filler blocks are not used, case damage may occur from over tightening screws.**

**NOTE:** When mounting the oven, thread power cord through hole in bottom of top cabinet. Keep it tight throughout Steps 1–3. Do not pinch cord or lift oven by pulling cord.

- 1 Lift oven, tilt it forward, and hook slots at back bottom edge onto two lower tabs of mounting plate.



- 2 Rotate front of oven up against cabinet bottom.  
 3 Insert a self-aligning screw through top center cabinet hole. Temporarily secure the oven by turning the screw at least **two full turns** after the threads have engaged. (It will be completely tightened later.) **Be sure to keep power cord tight. Be careful not to pinch the cord, especially when mounting flush to bottom of cabinet.**

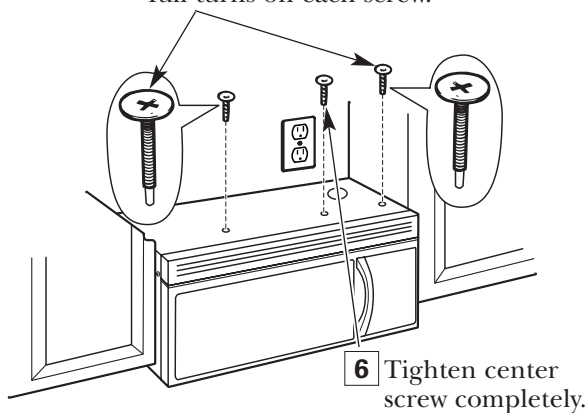


- 4 Attach the oven to the top cabinet.

# Installation Instructions

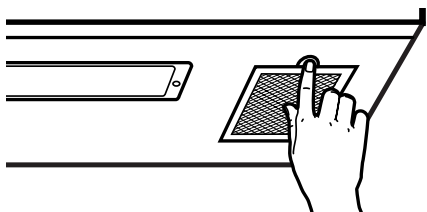
## C5. MOUNT THE OVEN (continued)

- 5 Insert 2 self-aligning screws ( $\frac{1}{4}$ "-28 x  $3\frac{1}{4}$ ") through outer top cabinet holes. Turn two full turns on each screw.



**NOTE:** Use self-aligning screw,  $\frac{1}{4}$ "-28 x  $2\frac{5}{8}$ ", on JVM1790 and self-aligning screws,  $\frac{1}{4}$ "-28 x  $3\frac{1}{4}$ ", on JVM1490, SCA1000, and SCA1001.

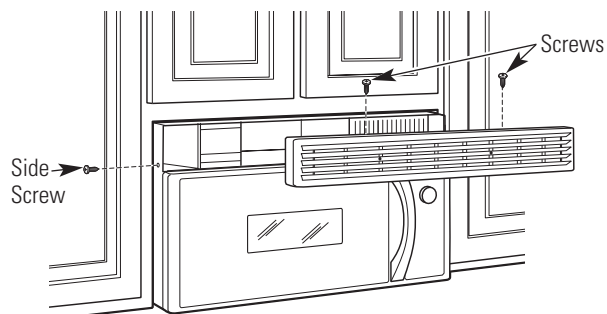
- 7 Tighten the outer two screws to the top of the oven. (While tightening screws, hold the oven in place against the wall and the top cabinet.)



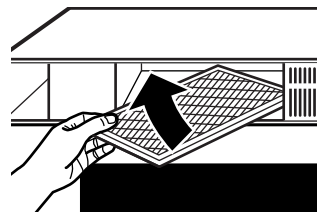
- 8 Install grease filters. See the Owner's Manual packed with the oven.

## C6. INSTALLING THE CHARCOAL FILTER

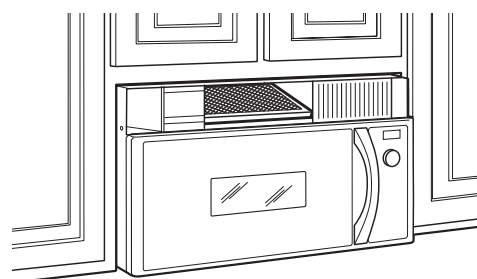
- 1 Remove 2 screws on top of oven, just above the grille panel, using a Phillips screwdriver. Remove one screw on the left side.
- 2 Open the door.
- 3 Remove the grille.



- 4 Insert the filter into the oven as shown, maneuvering it behind the plastic grille until it fits squarely into place. It will rest at an angle behind the plastic grille on two side support tabs and in front of the right rear tab. When properly installed, the wire mesh of the filter should be visible from the front.



- 5 Replace the grille and the 2 top screws.
- 6 Close the door and replace left side screw.



Insert mesh-side down

# Installation Instructions

## BEFORE YOU USE YOUR OVEN

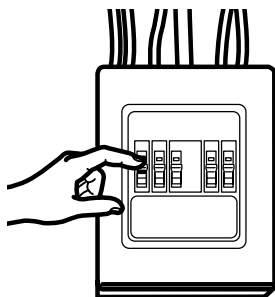
- 1.** Make sure the oven has been installed according to instructions.



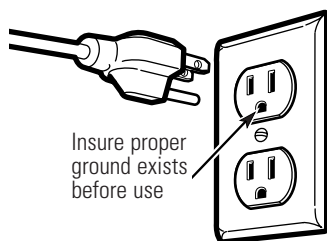
- 2.** Remove all packing material from the oven.

- 3.** Install turntable and wheeled ring in cavity.

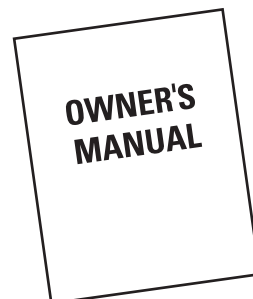
- 4.** Replace house fuse or turn breaker back on.



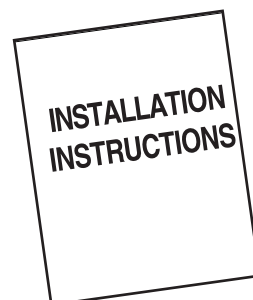
- 5.** Plug power cord into a dedicated 15 to 20 amp electrical outlet.



- 6.** Read the Owner's Manual.



- 7.** KEEP INSTALLATION INSTRUCTIONS FOR THE LOCAL INSPECTOR'S USE.







# Instrucciones de instalación

# Horno para colocar encima de la estufa

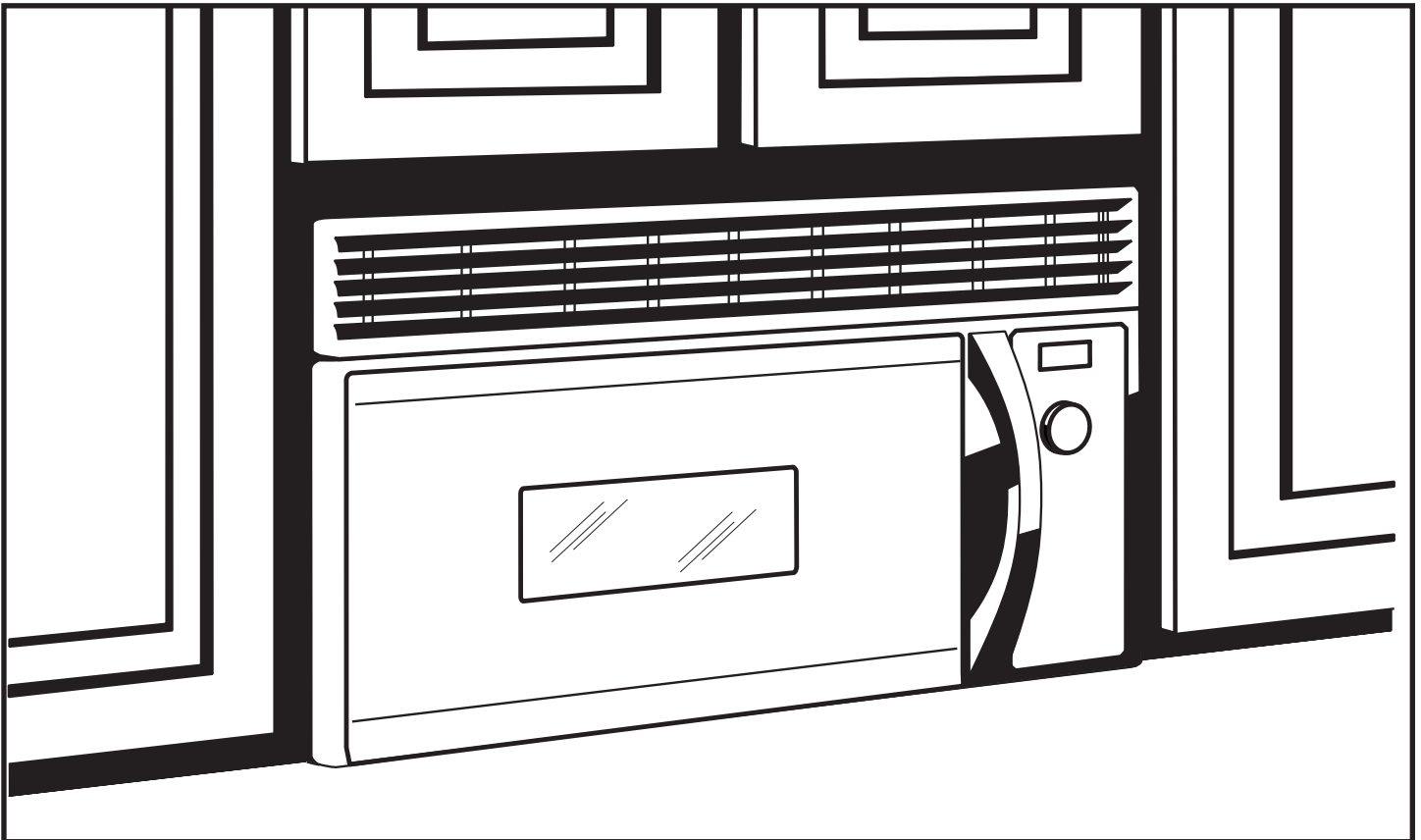
JVM1490, JVM1790, SCA1000 y SCA1001

¿Preguntas? Llame 800-GE-CARES (800-432-2737) o visite nuestra página en la red en: [ge.com](http://ge.com)

## ANTES DE EMPEZAR

Lea estas instrucciones completa y cuidadosamente.

- **IMPORTANTE** – Guarde estas instrucciones para el uso del inspector local.
- **IMPORTANTE** – Cumpla con todos los códigos y ordenanzas gubernamentales.
- **Nota para el instalador** – Asegúrese de dejar estas instrucciones con el consumidor.
- **Nota para el consumidor** – Guarde estas instrucciones para futura referencia.
- **Nivel de destrezas** – La instalación de este aparato requiere de destrezas básicas de mecánica y electricidad.
- La instalación apropiada es responsabilidad del instalador.
- La falla del producto debido a una instalación inapropiada no está cubierta por la garantía.



**LEA CUIDADOSAMENTE.  
GUARDE ESTAS INSTRUCCIONES.**

# Instrucciones de instalación

## CONTENIDO

### Información general

Instrucciones de seguridad importantes .....	27
Requisitos eléctricos .....	27
Campana de escape .....	28, 29
Daños – Envío / Instalación .....	30
Partes incluidas .....	30
Herramientas que necesitará.....	31
Espacio de montaje .....	31

### Guía de instalación paso por paso

Cómo colocar el plato de montaje.....	32–34
Cómo remover el plato de montaje .....	32
Cómo encontrar madera sólida en la pared.....	32
Cómo determinar la localización de las placas de la pared .....	33
Cómo alinear la placa de la pared .....	34
Tipos de instalación.....	35–46

#### **A** Escape superior exterior .....

Cómo adherir la placa de montaje a la pared .....	36
Preparación del gabinete superior .....	37
Cómo inspeccionar si la operación del regulador de tiro es apropiada .....	37
Cómo montar el horno.....	37, 38
Cómo ajustar el adaptador de escape ..	38
Cómo conectar la red de conductos ....	38

#### **B** Escape posterior externo .....

Cómo preparar la pared posterior para el escape posterior exterior .....	39
Cómo adherir el plato de montaje a la pared .....	39, 40
Cómo preparar el gabinete superior....	40
Cómo adaptar el calefactor para el escape exterior posterior .....	40, 41
Cómo montar el horno.....	42

#### **C** Recirculación .....

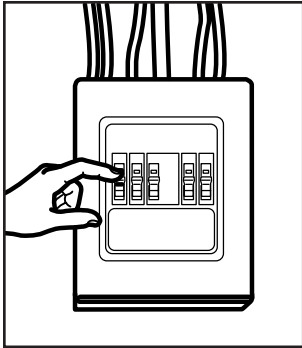
Cómo adherir el plato de montaje a la pared .....	43
Cómo preparar el gabinete superior....	43
Cómo adaptar el calefactor para la recirculación.....	44, 45
Cómo montar el horno .....	45, 46
Cómo instalar el filtro de carbonilla....	46

#### Antes de comenzar a usar su horno .....

# Instrucciones de instalación

## INSTRUCCIONES DE SEGURIDAD IMPORTANTES

Este producto requiere un tomacorriente eléctrico de tres patas conectado a tierra. El instalador debe llevar a cabo una inspección de continuidad a tierra en la caja eléctrica antes de comenzar la instalación para asegurar que la caja tomacorriente está conectada a tierra de manera apropiada. Si no lo está, o si el tomacorriente no cumple con los requisitos eléctricos indicados (bajo la sección REQUISITOS ELÉCTRICOS), se deberá recurrir a un técnico calificado para corregir cualquier deficiencia.



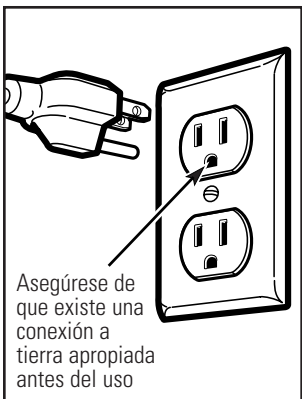
**PRECAUCIÓN:**  
Para seguridad personal, remueva el fusible de la casa o abra el interruptor de circuito antes de comenzar la instalación para evitar descargas eléctricas severas o fatales.

**PRECAUCIÓN:** En pos de la seguridad personal, la superficie de montaje debe ser capaz de soportar la carga del gabinete, además del peso adicional (de 63 a 85 libras) de este producto, más las cargas adicionales del horno de hasta 50 libras o un peso total entre 113 y 135 libras.

**PRECAUCIÓN:** En pos de la seguridad personal, este producto no puede ser instalado en sistemas de gabinetes tales como los llamados “islas” o “penínsulas”. Éste debe ser montado tanto a un gabinete superior como a una pared.

**NOTA:** Para una instalación más fácil y en pos de la seguridad personal, se recomienda que dos personas instalen este producto.

**IMPORTANTE: POR FAVOR, LEA CUIDADOSAMENTE. EN POS DE LA SEGURIDAD PERSONAL, ESTE APARATO DEBE SER CONECTADO A TIERRA APROPIADAMENTE PARA EVITAR DESCARGAS SEVERAS O FATALES.**



Asegúrese de que existe una conexión a tierra apropiada antes del uso

El cable eléctrico de este aparato está equipado con un enchufe de tres patas (con conexión a tierra), lo cual requiere que el mismo encaje con un tomacorriente para tres patas (con conexión a tierra) de pared para minimizar la posibilidad de descargas eléctricas.

Deberá hacer que un técnico calificado inspeccione el tomacorriente de pared y el circuito para asegurarse de que el tomacorriente esté conectado a tierra de manera apropiada.

Donde usted encuentre un tomacorriente estándar de dos patas, es muy importante que haga que el mismo se cambie por uno de tres patas apropiadamente conectado a tierra, instalado por un electricista calificado.

**BAJO NINGUNA CIRCUNSTANCIA NO CORTE, DEFORME, O REMUEVA NINGUNA DE LAS PATAS DEL CABLE ELÉCTRICO. NO LO USE CON UNA EXTENSIÓN ELÉCTRICA.**

## REQUISITOS ELÉCTRICOS

La clasificación del producto es de 120 vatios CA (AC), 60 hertz, 15 amperios, y 1.70 kilovatios. Este producto debe estar conectado a un circuito de suministro del voltaje y frecuencia apropiados. El tamaño del alambre debe conformarse a los requisitos del National Electric Code o al código local en efecto para este índice de kilovatios. El cable eléctrico de alimentación y el interruptor deberán llevarse a un tomacorriente único conectado a tierra de 15 a 20 amperios. La caja del tomacorriente deberá estar localizada en el gabinete encima del horno. La caja del tomacorriente debe ser instalada por un electricista calificado y debe conformarse al National Electrical Code o al código local en efecto.

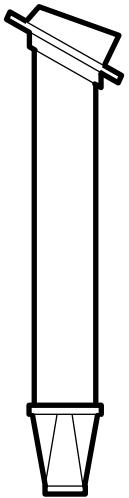
# Instrucciones de instalación

## CAMPANA DE ESCAPE

NOTA: Lea las siguientes dos páginas solamente si planea ventilar el escape hacia el exterior. Si por el contrario planea recircular el aire de vuelta hacia el salón, continúe en la página 30.

### ESCAPE SUPERIOR EXTERNO (EJEMPLO SOLAMENTE)

La siguiente tabla describe un ejemplo de una posible instalación de red de conductos.

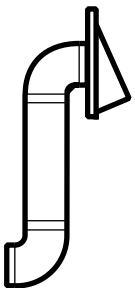


PARTES DEL CONDUCTO		LONGITUD EQUIVALENTE	x	NÚMERO USADO	=	LONGITUD EQUIVALENTE
	Tapa del techo	24 pies	x	(1)	=	24 pies
	Conducto recto de 12 pies (redondo de 6")	12 pies	x	(1)	=	12 pies
	Adaptador de transición de rectángulo a redondo*	5 pies	x	(1)	=	5 pies
La longitud de las partes de los conductos equivalentes está basada en pruebas reales y reflejan los requisitos para lograr una buena ventilación con cualquier campana de escape. <b>Longitud total =</b>						<b>41 pies</b>

\***IMPORTANTE:** Si se usa un adaptador de transición de rectángulo a redondo, las esquinas del fondo del regulador de tiros deberán cortarse para que encajen, usando las tijeras de corte, para permitir el movimiento libre del regulador de tiros.

### ESCAPE POSTERIOR EXTERNO (EJEMPLO SOLAMENTE)

La siguiente tabla describe un ejemplo de una posible instalación de red de conductos.



PARTES DEL CONDUCTO		LONGITUD EQUIVALENTE	x	NÚMERO USADO	=	LONGITUD EQUIVALENTE
	Tapa de pared	40 pies	x	(1)	=	40 pies
	Conducto recto de 3 pies (rectangular de 3¼" x 10")	3 pies	x	(1)	=	3 pies
	Codo de 90°	10 pies	x	(2)	=	20 pies
La longitud de las partes de los conductos equivalentes está basada en pruebas reales y reflejan los requisitos para lograr una buena ventilación con cualquier campana de escape..						

NOTA: Para el escape posterior, se debe tener cuidado al alinear el escape entre los espacios de los postes de viga de la pared, o la pared debería ser preparada en el momento de su construcción dejando suficiente espacio entre los postes de viga de la pared para acomodar el escape.

# Instrucciones de instalación

**NOTA:** Si usted necesita instalar conductos, tenga pendiente que la longitud total del conducto rectangular de 3¼" x 10" o el conducto redondo de 6" de diámetro **no debe sobrepasar 140 pies equivalentes.**

La ventilación externa requiere un CONDUCTO DE CAMPANA DE ESCAPE. Lea lo siguiente cuidadosamente.

**NOTA:** Es importante que la ventilación sea instalada usando la ruta más directa y con la menor cantidad de codos posible. Esto asegura la ventilación del escape y ayuda a prevenir bloqueos. **También, cerciórese de que el regulador de tiro pende libremente y nada bloquea los conductos.**

## Conexiones de escape:

La campana de escape ha sido diseñada para encajar con un conducto rectangular de 3¼" x 10" estándar.





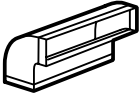
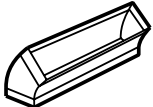
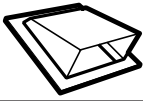

Si un conducto redondo es necesario, se debe usar un adaptador de transición de rectangular a redondo.

**No use un conducto menor de 6" de diámetro.**

## Longitud máxima del conducto:

Para lograr un movimiento satisfactorio del aire, la longitud total del conducto rectangular de 3¼" x 10" o el conducto redondo de 6" de diámetro **no debe sobrepasar 140 pies equivalentes.**

**Los codos, transiciones, paredes y tapas de techo, etc.,** presentan resistencia adicional al flujo de aire y son equivalentes a una sección de conducto recto el cual es más largo que su tamaño físico real. Cuando calcule la longitud total del conducto, agregue las longitudes equivalentes de todas las transiciones y adaptadores, más la longitud de todas las secciones de conducto rectas. La tabla más adelante muestra cómo puede calcular la longitud aproximada de la red de conductos usando pies aproximados de longitudes equivalentes de algunos conductos típicos.

PARTES DE CONDUCTO		LONGITUD EQUIVALENTE	x	NÚMERO USADO	=	LONGITUD EQUIVALENTE
	Adaptador de transición de rectángulo a redondo*	5 pies	x	( )	=	pies
	Tapa de pared	40 pies	x	( )	=	pies
	Codo de 90°	10 pies	x	( )	=	pies
	Codo de 45°	5 pies	x	( )	=	pies
	Codo de 90°	25 pies	x	( )	=	pies
	Codo de 45°	5 pies	x	( )	=	pies
	Tapa de techo	24 pies	x	( )	=	pies
	Conducto recto de 6" redondo o rectangular de 3¼" x 10"	1 pies	x	( )	=	pies
<b>Total red de conductos =</b>						<b>pies</b>



\* **IMPORTANTE:** Si se usa un adaptador de transición de rectángulo a redondo, las esquinas del fondo del regulador de tiros deberán ser cortadas para que encajen, usando las tijeras de corte, para permitir el movimiento libre del regulador de tiros.

La longitud de las partes de conductos equivalentes está basada en pruebas reales y reflejan los requisitos para lograr una buena ventilación con cualquier campana de escape.


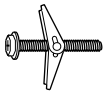



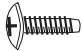

# Instrucciones de instalación

## DAÑOS – ENVÍO / INSTALACIÓN

- Si la unidad se daña durante el envío, devuelva la unidad al almacén donde la adquirió para su reparación o reemplazo.
- Si el cliente daña la unidad, la reparación o el reemplazo es responsabilidad del cliente.
- Si el instalador daña la unidad (si no es el cliente), la reparación o reemplazo se debe hacer por medio de un arreglo entre el cliente y el instalador.

## PARTES INCLUIDAS

### PAQUETE DE ELEMENTOS

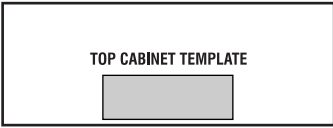
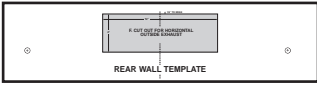

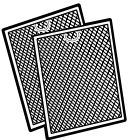
PARTE		CANTIDAD
	Tornillos de madera (1/4" x 2")	2
	Tornillos basculantes (y tuercas de mariposa) (1/4" x 3")	4
	Tornillos de máquina autoalineables (1/4"-28 x 3 1/4")	3 2 (JVM1790 Sólo)
	Tornillos de máquina autoalineables (1/4"-28 x 2 5/8")	1 (JVM1790 Sólo)
	Arandela aislante de nilón (para gabinetes metálicos)	2
	Adaptador del escape	1
	Regulador de tiro	1
	Tornillos para metal (1/8" x 1/2")	1 negro 2 de bronce
	Abrazadera del cable eléctrico (plástica)	1

Usted encontrará los elementos de instalación en un paquete junto con la unidad. Inspeccione para cerciorarse de que tiene todas las partes.

**NOTA:** Se incluyen algunas partes adicionales.

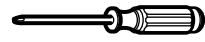
## PARTES INCLUIDAS

### PARTES ADICIONALES

PART		CANTIDAD
	Plantilla para el gabinete superior	1
	Plantilla para la pared posterior	1
	Instrucciones de instalación	1
	Filtros de grasa empacados por separado	2

# Instrucciones de instalación

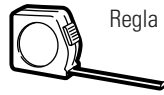
## HERRAMIENTAS QUE NECESITARÁ



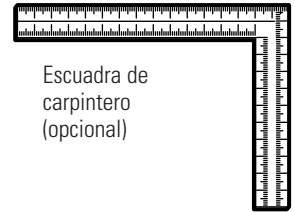
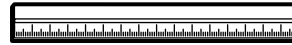
Destornilladores de estrella  
# 1 y # 2



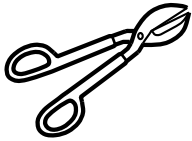
Lápiz



Regla recta y cinta métrica



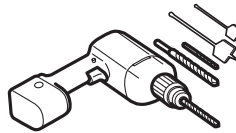
Escuadra de  
carpintero  
(opcional)



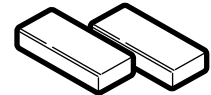
Tijeras para cortar latón  
(para cortar el regulador  
de tiro, si es necesario)



Tijeras (para cortar la  
plantilla, si es necesario)



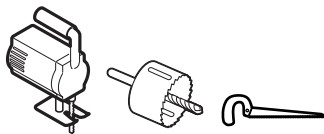
Taladro eléctrico con brocas de  
 $\frac{3}{16}$ ",  $\frac{7}{16}$ ",  $\frac{1}{2}$ " y  $\frac{5}{8}$ "



Bloques de relleno o  
pedazos de madera, si son  
necesarios para rellenar el  
gabinete (usados solamente  
en la instalación de  
gabinets apoyados)



Guantes



Sierra (de sable, agujero, o de  
ojo de cerradura)



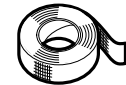
Detector de  
postes de viga o un martillo (opcional)



Gafas de seguridad

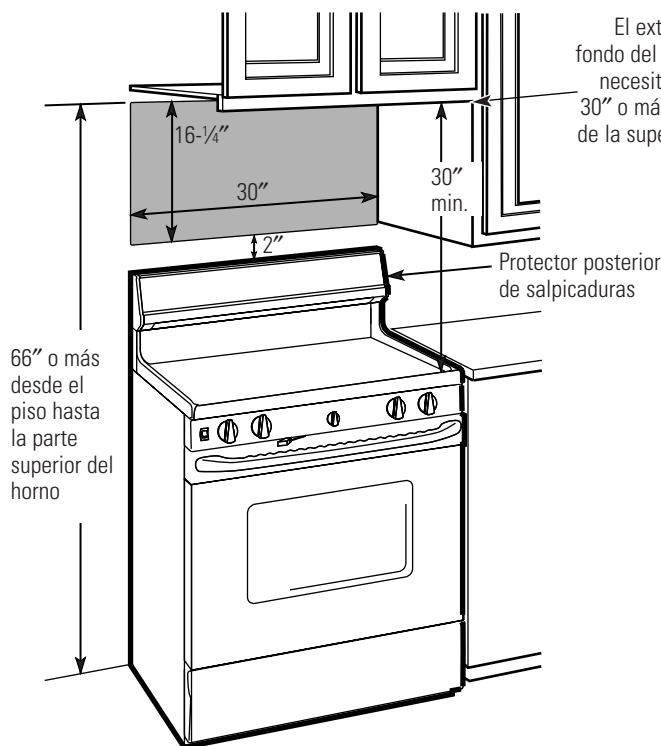


Nivel



Cinta de conductos o  
cinta adhesiva protectora

## ESPACIO DE MONTAJE



### NOTAS:

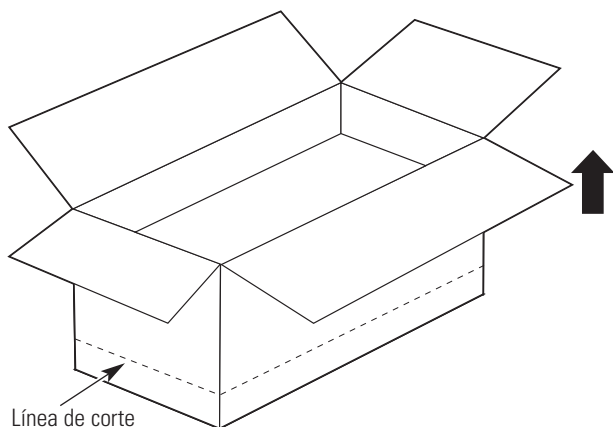
- El espacio entre los gabinetes debe ser de 30" de ancho y debe estar libre de obstrucciones.
- Si el espacio entre los gabinetes es mayor de 30", un "Filler Panel Kit" podría ser necesario para rellenar las brechas entre el horno y los gabinetes. Su Manual del Propietario contiene el número de kit para su modelo.
- Este horno es para ser instalado por encima de estufas hasta 36" de ancho.
- Si usted se dispone a ventilar su horno hacia el exterior, ver la Sección de Campana de Escape para la preparación del conducto de escape.
- Cuando se instale el horno debajo de gabinetes de fondos lisos y planos, tenga cuidado de seguir cuidadosamente las instrucciones en la plantilla del gabinete superior para el espacio de tolerancia del cable eléctrico.
- La profundidad de la abertura no puede ser superior a 13-1/2".



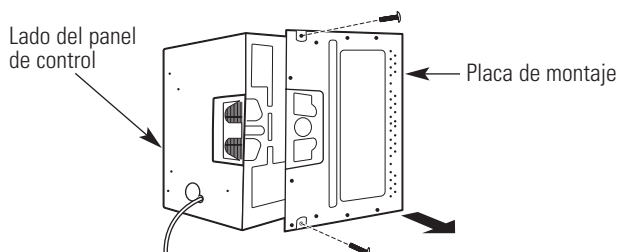
# Instrucciones de instalación

## A. CÓMO QUITAR EL HORNO DE LA CAJA / CÓMO QUITAR LA PLACA DE MONTAJE

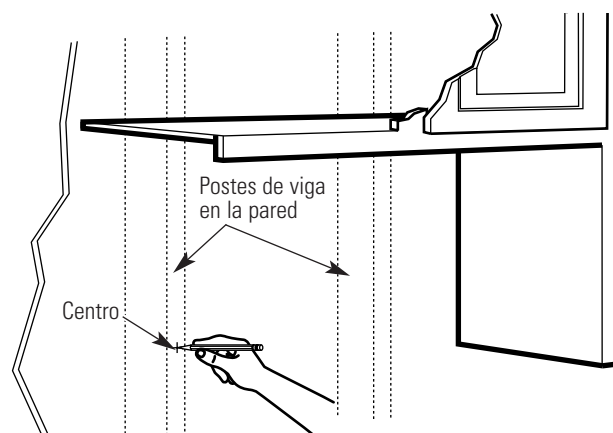
- 1 Abra la parte superior de la caja y quite el paquete de poliestireno que contiene las instrucciones de instalación, filtros, adaptador de salida, regulador de aire y la bolsa de piezas pequeñas.
- 2 Ubique la línea de corte en la parte inferior de la caja y con cuidado corte a lo largo de la línea punteada indicada. Luego tire del cartón hacia arriba y fuera de la unidad.



- 3 Quite el poliestireno que protege el frente del horno. Abra la puerta del horno y saque los contenidos.
- 4 Utilizando una porción del cartón u otro material para proteger la carcasa exterior, pare el horno sobre su lado de modo que el panel de control se encuentre lo más cerca del piso.
- 5 La placa de montaje se encuentra sujeta a la parte trasera del horno. Quite los dos tornillos que sostienen la placa al horno. La placa funcionará como la plantilla de pared trasera y brindará el soporte para montar el horno a la pared.
- 6 Una vez que se ha quitado la placa, coloque el horno en posición vertical. Quite y descarte adecuadamente las bolsas de plástico y poliestireno.
- 7 Asegúrese de quitar toda la cinta adhesiva de los adaptadores de salida, filtros de grasa y el cable de suministro de energía.



## B. CÓMO ENCONTRAR LOS POSTES DE VIGA EN LA PARED



- 1 Encuentre los postes, usando uno de los métodos siguientes:
  - A. Use un detector de postes—un dispositivo magnético que localiza clavos.
  - O
  - B. Use un martillo para golpear ligeramente a través de la superficie de montaje hasta encontrar un sonido sólido. Esto indicará que hay un poste de viga en ese lugar.
- 2 Después de localizar el poste o los postes de viga, encuentre el centro mediante el análisis de la pared usando un clavo pequeño para darse cuenta de dónde están los bordes del poste. Luego coloque una marca en el centro de los bordes. El centro de cualquier poste adyacente deberá ser entre 16" ó 24" desde esta marca.
- 3 Trace una línea hacia abajo indicando el centro del poste.

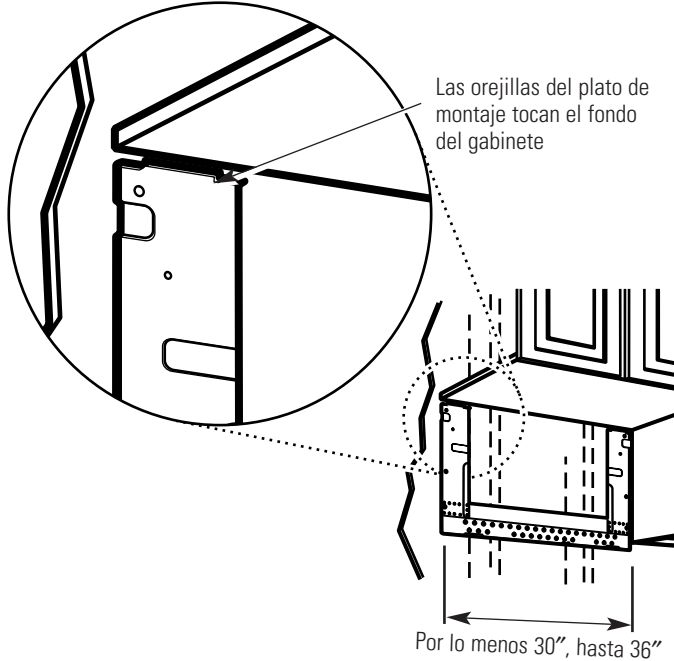
**EL HORNO DEBE CONECTARSE POR LO MENOS A UN POSTE DE LA PARED.**



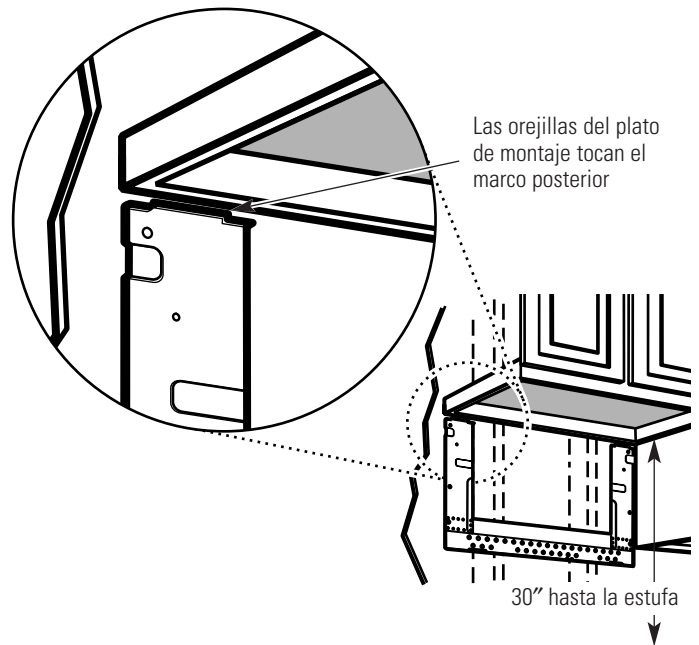
# Instrucciones de instalación

## C. C. CÓMO DETERMINAR LA LOCALIZACIÓN DEL PLATO DE MONTAJE DEBAJO DE SU GABINETE

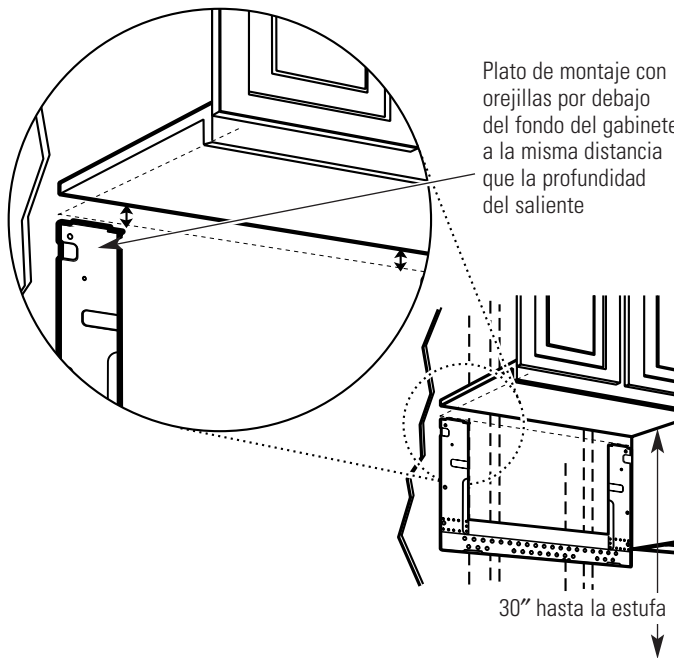
### Posición del plato – debajo de gabinetes de fondo plano



### Posición del plato – debajo de gabinetes de fondo apoyado en un marco



### Posición del plato – debajo de gabinetes de fondo apoyado con frente saliente



Sus gabinetes podrían tener marcos de decoración que interfieran con la instalación del horno. Remueva los marcos decorativos para instalar el horno apropiadamente y para hacer que quede nivelado.

#### **EL HORNO DEBE QUEDAR NIVELADO.**

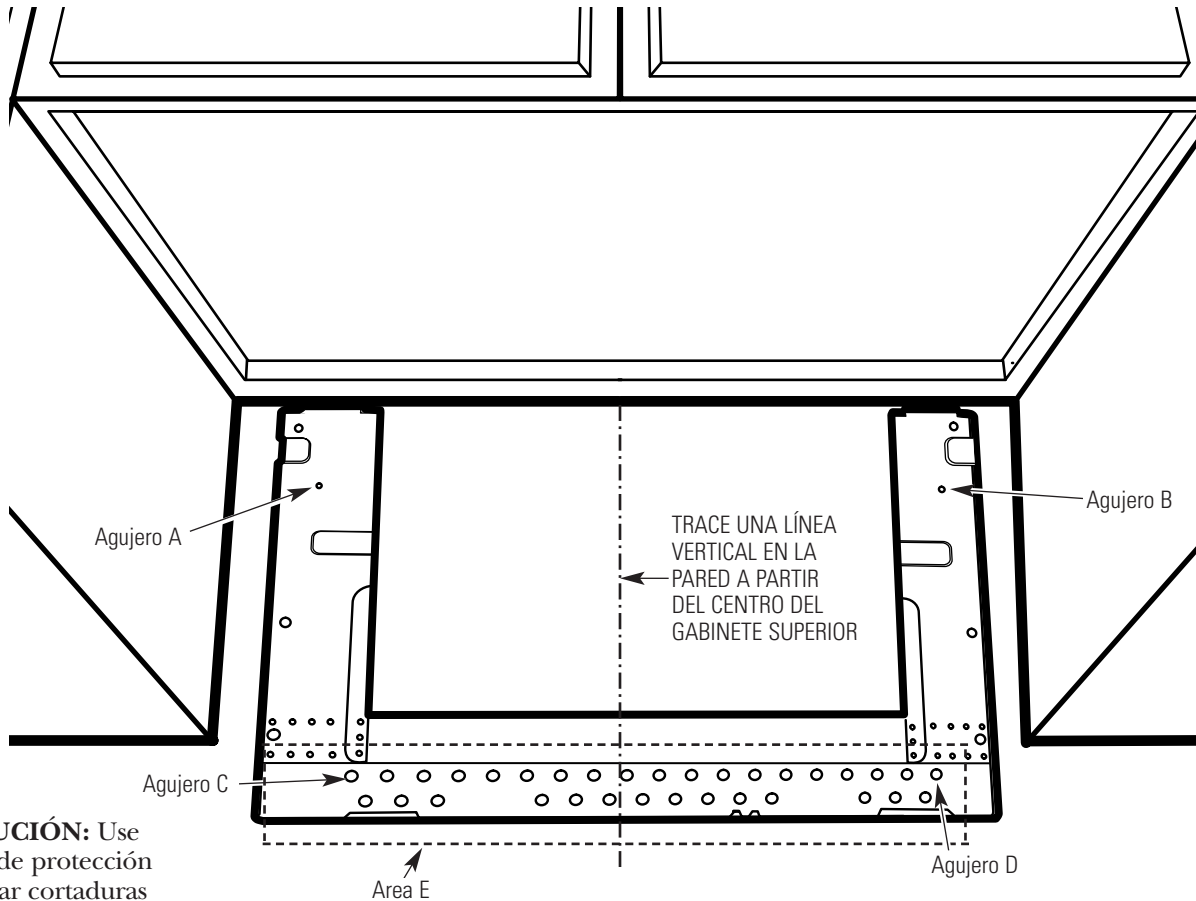
Use un nivel para cerciorarse de que el fondo del gabinete está nivelado.

Si los gabinetes tienen un saliente frontal solamente, sin marco posterior o lateral, instale el plato de montaje a la misma distancia de la profundidad del saliente. Este mantendrá el horno nivelado.

- 1 Mida la profundidad interna del frente del saliente.
- 2 Trace una línea horizontal en la pared posterior a una distancia debajo del fondo del gabinete igual a la profundidad interna del frente saliente.
- 3 Para este tipo de instalación con saliente frontal solamente, alinee las orejillas de montaje con la línea horizontal, sin tocar el fondo del gabinete como se describió en el Paso D.

# Instrucciones de instalación

## D. CÓMO ALINEAR EL PLATO DE MONTAJE SOBRE LA PARED



**PRECAUCIÓN:** Use guantes de protección para evitar cortaduras en sus dedos con los extremos filosos.

- 1 Trace una línea vertical en la pared en el centro del espacio de 30" de ancho.
- 2 Use el plato de montaje **como la plantilla** para la pared posterior. Coloque el plato de montaje en la pared, cerciorándose de que las orejillas se encuentran **tocando el fondo del gabinete o la línea marcada en el Paso C para los gabinetes con salientes frontales. Alinee la muesca y línea del centro en el plato de montaje con la línea de centro en la pared.**
- 3 Mientras sostiene el plato de montaje con una mano, trace círculos en la pared en los agujeros A, B, C y D (ver la ilustración anterior / la placa real está marcada con flechas). **Deben usarse cuatro agujeros para el montaje.**

**NOTA:** Los agujeros C y D van en el interior del área E. Si ni el C ni el D están en un poste de viga, encuentre un poste en algún otro lugar en el área E y marque un quinto círculo para alinearse con el poste. Es importante usar **por lo menos un tornillo de madera montado firmemente en un poste** para apoyar el peso del horno.

**Aparte el plato de montaje.**

- 4 Perfore agujeros en los círculos. Si hay un poste de viga, perfore un agujero de 3/16" para los tornillos de madera. Para los agujeros que no quedaron alineados con el poste de viga, perfore un agujero de 5/8" para los tornillos basculantes.

**NOTA: TODAVÍA NO MONTE EL PLATO.**

# Instrucciones de instalación

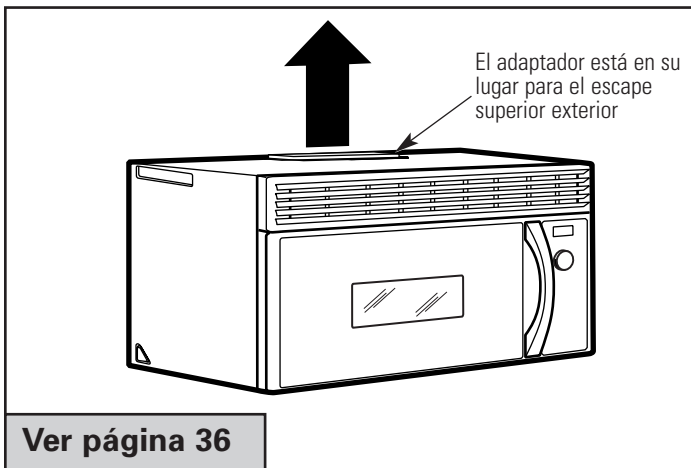
## 2 TIPOS DE INSTALACIÓN (Escoja A, B o C)

Este horno está diseñado para adaptarse a los siguientes tres tipos de ventilación:

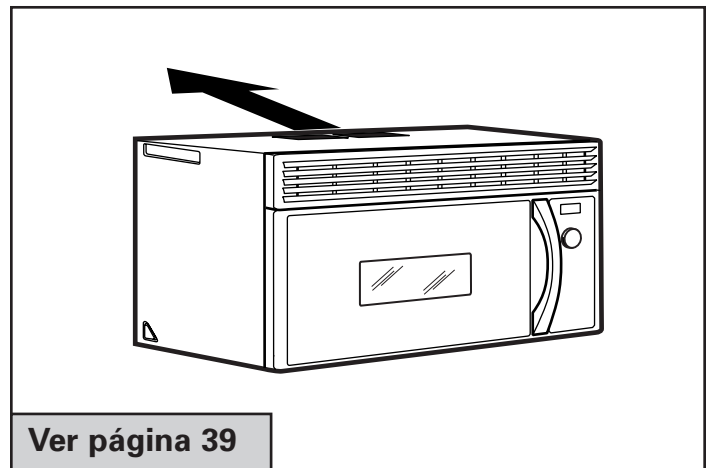
- A. Escape superior exterior (Conducto vertical)
- B. Escape posterior exterior (Conducto horizontal)
- C. Recirculación (Sin conducto de ventilación)

**NOTA:** Este horno es enviado ya ensamblado para un escape superior exterior. Seleccione el tipo de ventilación requerido para su instalación y proceda a tal sección.

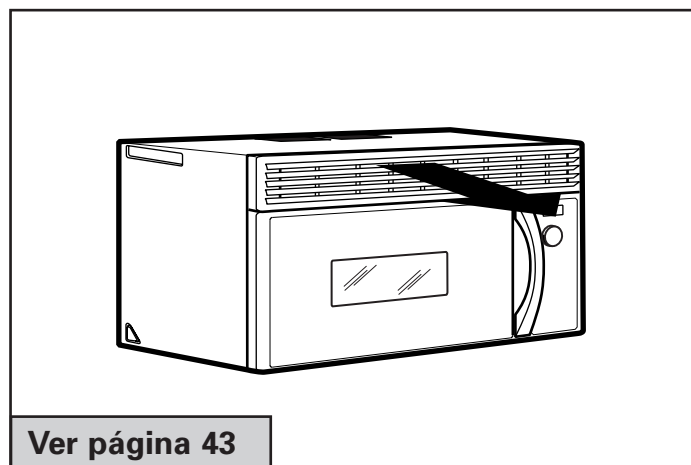
### A ESCAPE SUPERIOR EXTERIOR (CONDUCTO VERTICAL)



### B ESCAPE POSTERIOR EXTERIOR (CONDUCTO HORIZONTAL)



### C C. RECIRCULACIÓN (SIN CONDUCTO DE VENTILACIÓN)



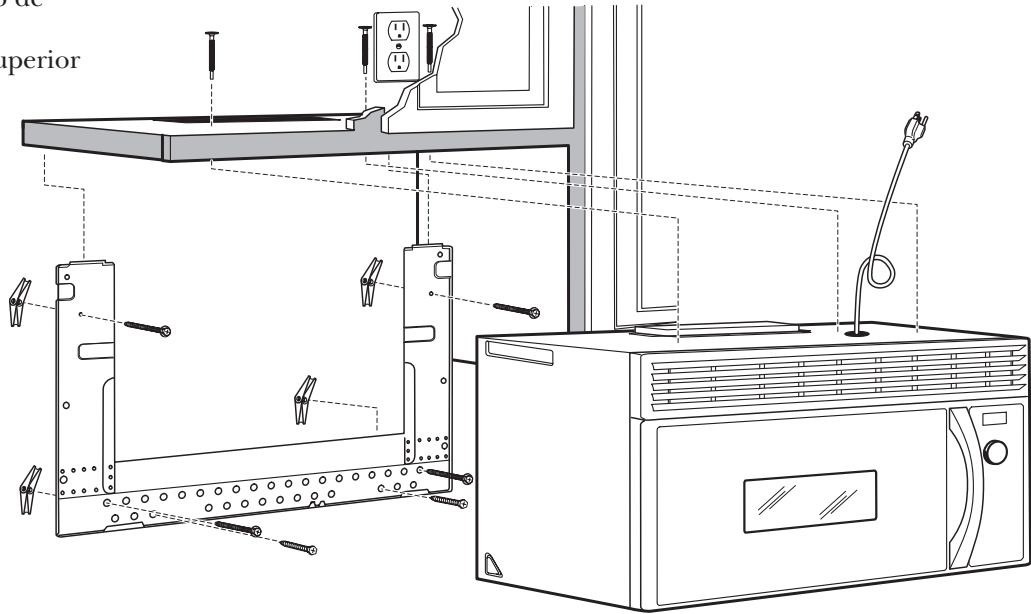
Un Kit de accesorios de filtro de carbonilla es necesario para el sistema sin ventilación. (Consulte su Manual del Propietario para obtener el número del kit.)

# Instrucciones de instalación

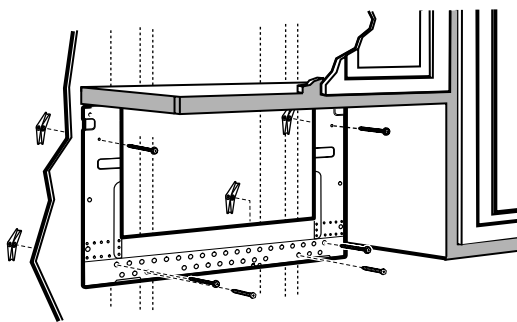
## A ESCAPE SUPERIOR EXTERIOR (Conducto vertical)

### PERSPECTIVA GENERAL DE LA INSTALACIÓN

- A1. Como adherir el plato de montaje a la pared
- A2. Prepare el gabinete superior
- A3. Instale el adaptador
- A4. Monte el horno
- A5. Ajuste el adaptador de escape
- A6. Conecte el conducto



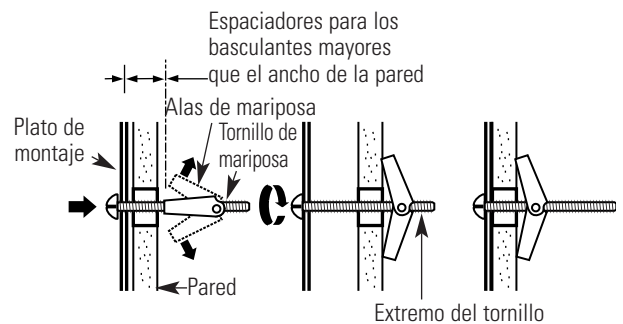
### A1. CÓMO ADHERIR LA PLACA DE MONTAJE A LA PARED



Pegue el plato a la pared usando los tornillos basculantes. Por lo menos un tornillo de madera debe ser usado para pegar el plato al poste de la pared.

- 1 Remueva las mariposas del basculante de los tornillos.
- 2 Inserte los tornillos en el plato de montaje a través de los agujeros diseñados para ser insertados en la pared de mampostería seca y pegue otra vez las mariposas de  $\frac{3}{4}$ " en cada tornillo.

### Para usar los tornillos basculantes:



- 3 Coloque el plato de montaje contra la pared e inserte las alas de mariposa en los agujeros de la pared para montar el plato.

**NOTA:** Antes de apretar los tornillos basculantes y los tornillos de madera, cerciórese de que las orejillas en el plato de montaje toquen el fondo del gabinete cuando son empujadas contra la pared y de que el plato esté centrado apropiadamente debajo del gabinete.

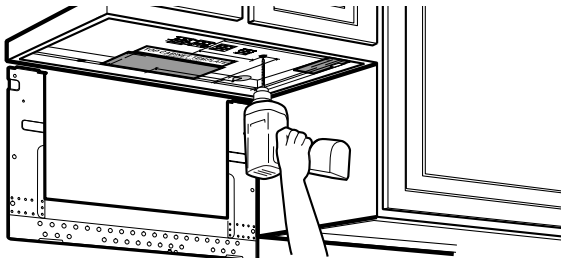
**PRECAUCIÓN:** Tenga cuidado de evitar pellizcar sus dedos entre la parte posterior del plato de montaje y la pared.

- 4 Apriete todos los tornillos. Tire del plato en dirección opuesta a la pared para ayudar a apretar los tornillos.

# Instrucciones de instalación

## A2. USE LA PLANTILLA DEL GABINETE SUPERIOR PARA LA PREPARACIÓN DEL GABINETE

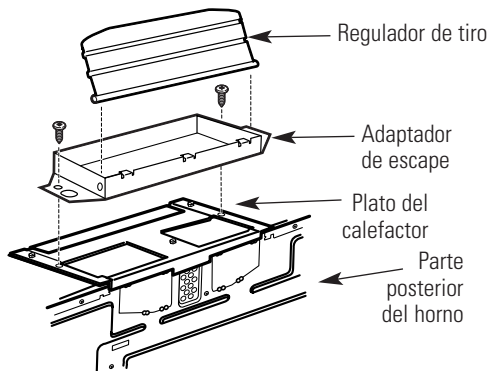
Deberá perforar agujeros para los tornillos de apoyo superiores, un agujero suficientemente grande para que el cable eléctrico quepa, y un recorte lo suficientemente grande como para que el adaptador de escape pueda ser introducido.



- Lea las instrucciones sobre la PLANTILLA DEL GABINETE SUPERIOR.
- Péguelo debajo del gabinete superior.
- Taladre los agujeros, siguiendo las instrucciones en la PLANTILLA DEL GABINETE SUPERIOR.

**PRECAUCIÓN:** Use gafas de seguridad cuando perforo los agujeros en el fondo del gabinete.

## A3. ENSAMBLAJE E INSTALACIÓN DEL ADAPTADOR

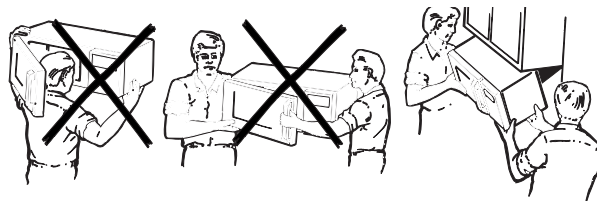


- 1 Coloque el horno en su posición vertical, con la parte superior hacia arriba.
- 2 Inserte las orejillas en cada lado del regulador de tiro en los agujeros en el interior posterior del adaptador.
- 3 Pegue el adaptador de escape al plato calefactor con los dos tornillos de bronce que le proporcionamos.

**Cerciórese de que el regulador de tiro gira fácilmente antes de montar el horno.**

Deberá hacer ajustes para asegurarse de que existe alineación apropiada con el sistema de conductos de su casa después de la instalación del horno.

## A4. CÓMO MONTAR EL HORNO



PARA OBTENER UNA INSTALACIÓN MÁS FÁCIL Y EN POS DE LA SEGURIDAD PERSONAL, SE RECOMIENDA QUE DOS PERSONAS INSTALEN ESTE HORNO.

**IMPORTANTE:** No agarre ni use la manija de la puerta durante la instalación.

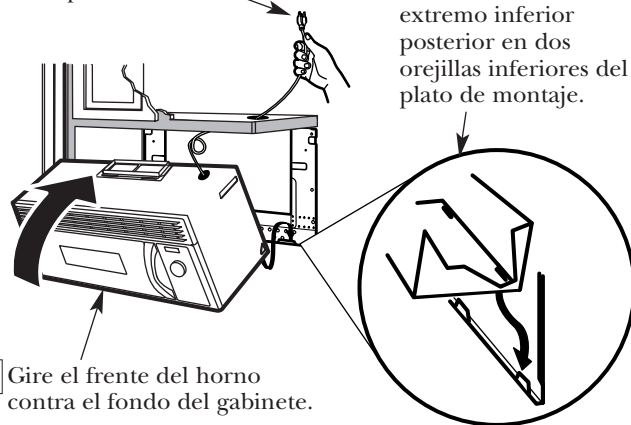
**NOTA:** Si su gabinete es de metal, use la arandela de nilón alrededor del cable eléctrico para evitar que el mismo sea cortado.

**NOTA:** Recomendamos el uso de bloques de relleno si el frente del gabinete cuelga por debajo del estante del fondo del gabinete.

**IMPORTANTE:** Si no se usan bloques de relleno, podrían ocurrir daños por apretar demasiado los tornillos.

**NOTA:** Cuando se encuentre montando el horno, enrosque el cable eléctrico a través del agujero en el fondo del gabinete superior. Manténgalo tenso a través de los Pasos del 1-3. No pellizque el cable ni tire del horno por el cable.

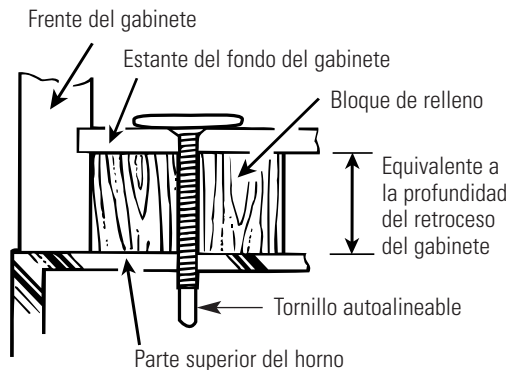
- 1 Levante el horno, inclínelo hacia adelante, y enganche las ranuras en el extremo inferior posterior en dos orejillas inferiores del plato de montaje.



- 2 Gire el frente del horno contra el fondo del gabinete.
- 3 Inserte un tornillo de autoalineación a través del agujero central superior del gabinete. Asegure el horno temporalmente girando el tornillo por lo menos **dos vueltas completas** después de que las roscas hayan agarrado. (Luego quedarán totalmente apretadas). **Cerciórese de mantener el cable eléctrico estirado. Tenga cuidado de no pellizcar el cable, especialmente cuando se monte al nivel del fondo del gabinete.**

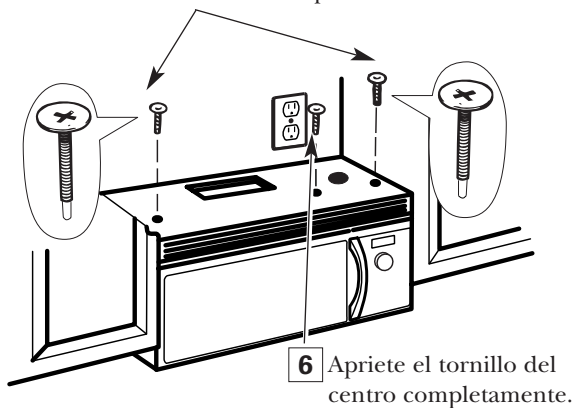
# Instrucciones de instalación

## A4. CÓMO MONTAR EL HORNO (continuación)



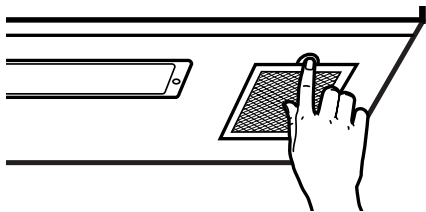
4 Pegue el horno a la parte superior del gabinete.

5 Inserte 2 tornillos ( $\frac{1}{4}$ "-28 x  $3\frac{1}{4}$ " autoalineables a través de los agujeros exteriores superiores del horno. Gire dos vueltas completas en cada tornillo.



**NOTA:** Use Tornillos autoalineables ( $\frac{1}{4}$ "-28 x  $2\frac{3}{8}$ " en JVM1790 y Tornillos autoalineables ( $\frac{1}{4}$ "-28 x  $3\frac{1}{4}$ " en JVM1490, SCA1000, y SCA1001.

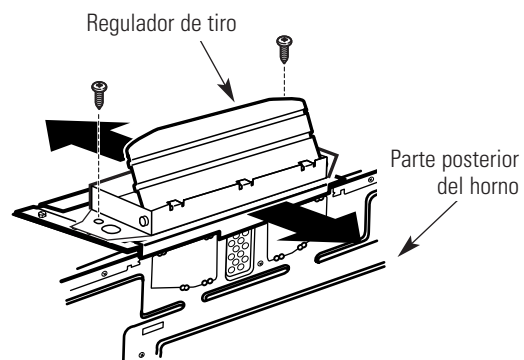
7 Apriete los dos tornillos exteriores hacia la parte de arriba del horno. (Mientras aprieta los tornillos, mantenga el horno en su lugar contra la pared y el gabinete superior.)



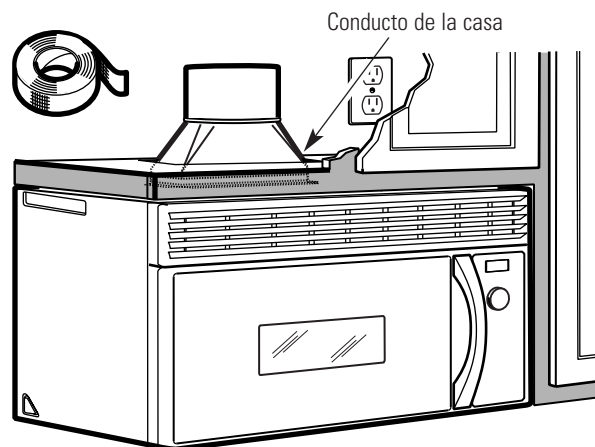
8 Instale los filtros de grasa. Ver el Manual del Propietario que viene con el horno.

## A5. CÓMO AJUSTAR EL ADAPTADOR DE ESCAPE

Abra el gabinete superior y ajuste el adaptador de escape para conectarlo al conducto de la casa.



## A6. CÓMO CONECTAR EL CONDUCTO



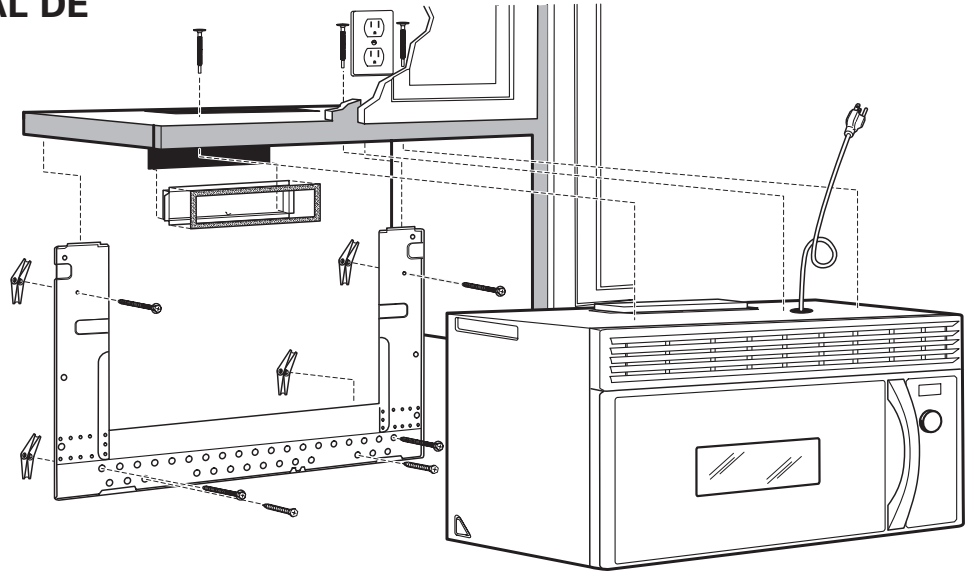
- 1 Extienda el conducto de la casa hacia abajo para conectarlo con el adaptador de escape.
- 2 Selle las juntas del conducto de escape usando cinta adhesiva de conductos.

# Instrucciones de instalación

## B ESCAPE POSTERIOR EXTERNO (Conducto horizontal)

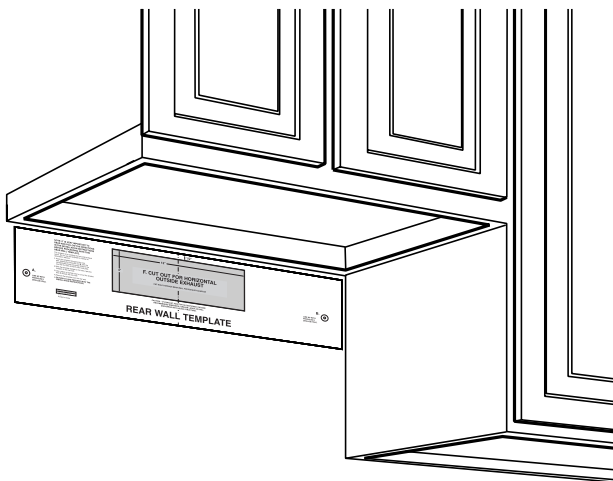
### PERSPECTIVA GENERAL DE LA INSTALACIÓN

- B1. Prepare la pared posterior
- B2. Pegue el plato de montaje a la pared
- B3. Prepare el gabinete superior
- B4. Ajuste el calefactor
- B5. Monte el horno



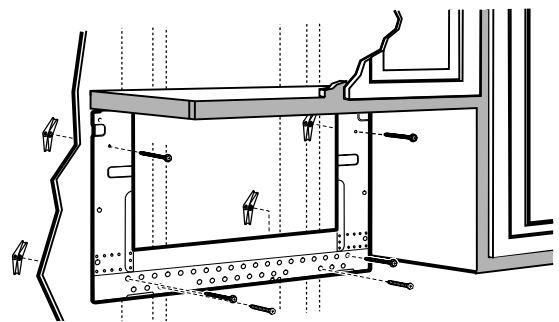
### B1. CÓMO PREPARAR LA PARED POSTERIOR PARA EL ESCAPE POSTERIOR

Necesita cortar una abertura en la pared posterior para el escape exterior.



- Lea las instrucciones en la PLANTILLA PARA LA PARED POSTERIOR.
- Péguela con cinta adhesiva a la pared posterior, alineándola con los agujeros previamente perforados para los agujeros A y B en el plato de la pared.
- Corte la abertura, siguiendo las instrucciones de la PLANTILLA PARA LA PARED POSTERIOR.

### B2. CÓMO ADHERIR EL PLATO DE MONTAJE A LA PARED



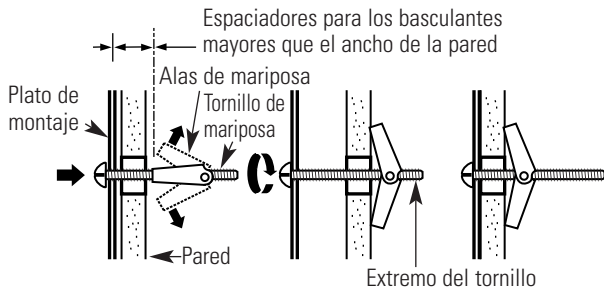
Pegue el plato a la pared usando los tornillos basculantes. Por lo menos un tornillo de madera debe ser usado para pegar el plato al poste de viga de la pared.

- 1 Remueva las mariposas de los tornillos.
- 2 Inserte los tornillos en el plato de montaje a través de los agujeros diseñados para colocarse contra la pared de mampostería seca y pegue otra vez las mariposas de  $\frac{3}{4}$ " a cada tornillo.



# Instrucciones de instalación

## Para usar los tornillos basculantes:



- Coloque el plato de montaje contra la pared e inserte las alas de mariposa en los agujeros de la pared para montar el plato.

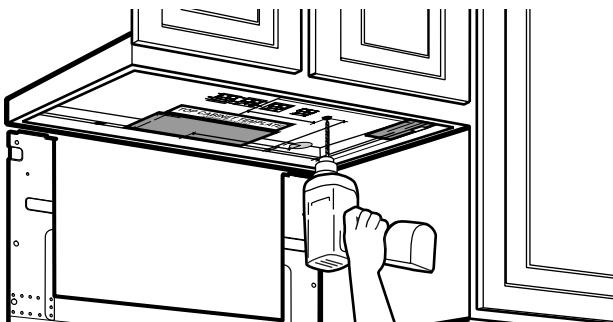
**NOTA:** Antes de apretar los tornillos basculantes y el tornillo de madera, cerciórese de que las orejillas en el plato de montaje toquen el fondo del gabinete cuando se empujen contra la pared y de que el plato esté centrado apropiadamente debajo del gabinete.

**PRECAUCIÓN:** Tenga cuidado de evitar pellizcar sus dedos entre la parte posterior del plato de montaje y la pared.

- Apriete todos los tornillos. Tire del plato en dirección opuesta a la pared para ayudar a apretar los tornillos.

## B3. USE LA PLANTILLA DEL GABINETE SUPERIOR PARA PREPARAR EL GABINETE SUPERIOR

Necesita perforar agujeros para los tornillos de apoyo superiores y un agujero suficientemente grande para que el cable eléctrico quepa.

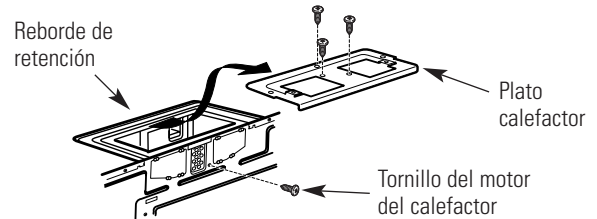


- Lea las instrucciones sobre la PLANTILLA DEL GABINETE SUPERIOR.
- Péguela debajo del gabinete superior.
- Taladre los agujeros, siguiendo las instrucciones en la PLANTILLA DEL GABINETE SUPERIOR.

**PRECAUCIÓN:** Use gafas de seguridad cuando perforo los agujeros en el fondo del gabinete.

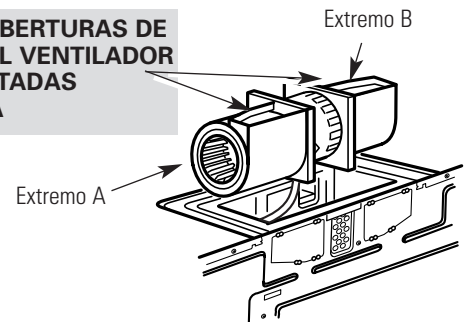
## B4. CÓMO ADAPTAR EL CALEFACTOR PARA EL ESCAPE EXTERIOR

- 1 Remueva y guarde los tornillos que sostienen el plato del calefactor en el horno. Deslice el plato del calefactor de abajo de su reborde de retención. Remueva y guarde los tornillos que sostienen el motor del calefactor en el horno.

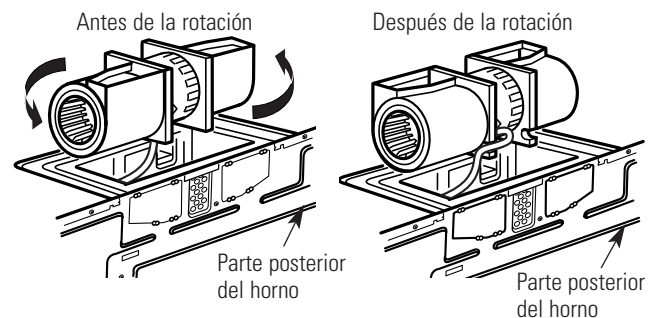


- 2 Cuidadosamente tire del calefactor. Los alambres se extenderán lo suficiente como para permitirle que usted ajuste la unidad del calefactor.

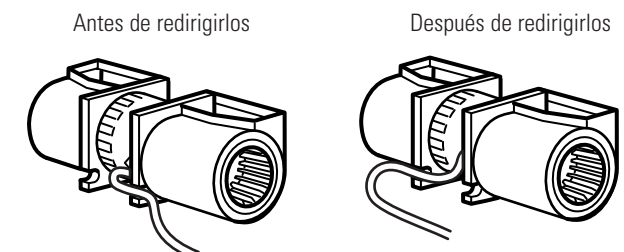
**ANTES: LAS ABERTURAS DE LA PALETA DEL VENTILADOR ESTÁN ORIENTADAS HACIA ARRIBA**



- 3 Rote la unidad 180° en sentido contrario a las agujas del reloj.



- 4 Suavemente remueva los alambres de las ranuras. Redirija los alambres a través de las ranuras en el otro lado de la unidad del calefactor.



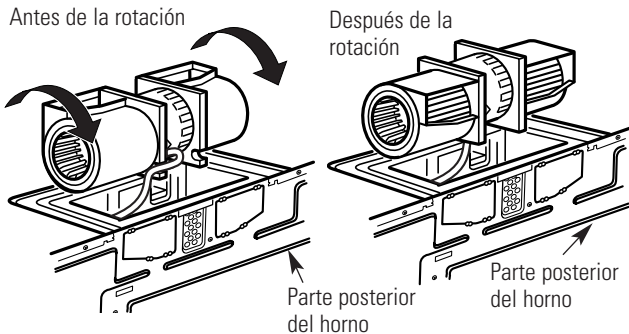
Alambres dirigidos a través del lado derecho

Alambres dirigidos a través del lado izquierdo



# Instrucciones de instalación

- 5** Ruede la unidad del calefactor 90° de forma tal que las aberturas de la paleta del ventilador estén orientadas hacia la parte posterior del horno.

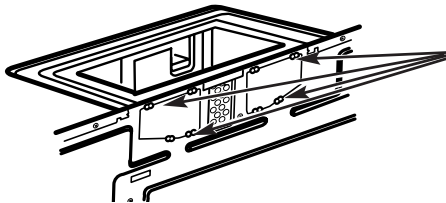


- 6** Localice los dos platos removibles en el panel posterior del horno, cerca de la parte superior del horno.

Usando tijeras, cuidadosamente corte el área de telaraña de los dos agujeros lado a lado (que aseguran los platos removibles al horno). Corte las cuatro telarañas en ambos platos removibles posteriores; esto permitirá que el flujo de aire del ventilador escape hacia la parte posterior del horno.

**PRECAUCIÓN:** Cerciérese de recortar los extremos filosos de las aberturas después de remover los platos.

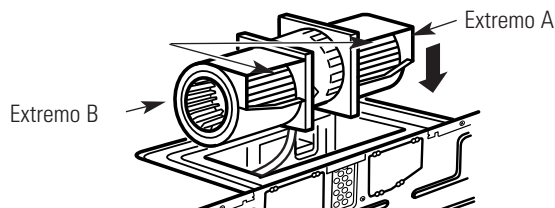
## Parte posterior del horno



Corte con tijeras las cuatro telarañas de cada panel removible y remueva los discos removibles de metal para permitir el flujo de aire posterior.

- 7** Coloque la unidad del calefactor de nuevo en la abertura.

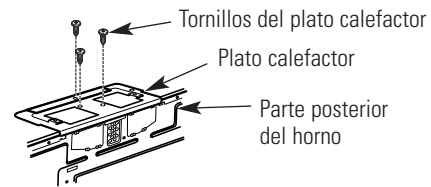
**DESPUES: LAS ABERTURAS DE LA PALETA DEL VENTILADOR ESTÁN ORIENTADAS HACIA ATRÁS**



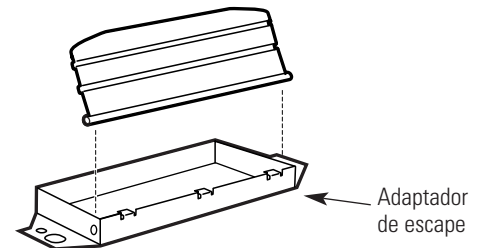
**PRECAUCIÓN:** No tire ni estire los cables del calefactor. Cerciérese de que los alambres no están pellizcados.

**NOTA:** Las aberturas del escape del calefactor deberán encajar con las aberturas del escape en la parte posterior del horno.

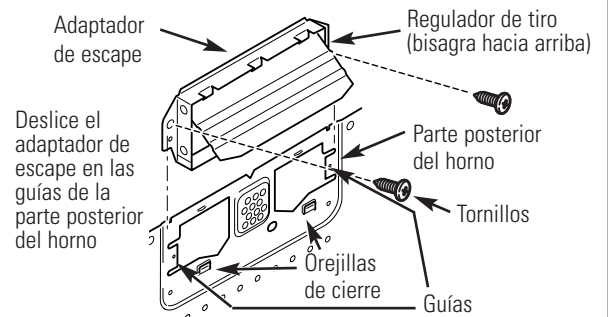
- 8** Coloque el plato calefactor en la misma posición como estaba antes con los tornillos.



- 9** Inserte las orejillas en cada lado del regulador de tiro en los agujeros en el lado interior posterior del adaptador.



- 10** Pegue el adaptador de escape a la parte posterior del horno deslizando en las guías en la parte superior central de la parte posterior del horno.

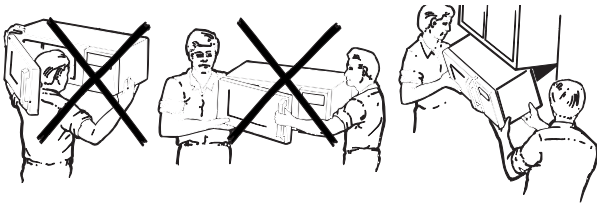


Empuje firmemente hasta que esté en las orejillas de cierre inferiores. Tenga cuidado de asegurarse de que la bisagra del regulador de tiro esté instalada de forma que esté en la parte superior y que el regulador de tiro gire libremente.

- 11** Asegure el adaptador de escape al horno con los dos tornillos metálicos de bronce que proporcionamos.

# Instrucciones de instalación

## B5. MONTAJE DEL HORNO



PARA UNA INSTALACIÓN MÁS FÁCIL Y EN POS DE LA SEGURIDAD PERSONAL, SE RECOMIENDA QUE DOS PERSONAS INSTALEN ESTE HORNO.

**IMPORTANTE:** No agarre ni use la manija de la puerta durante la instalación.

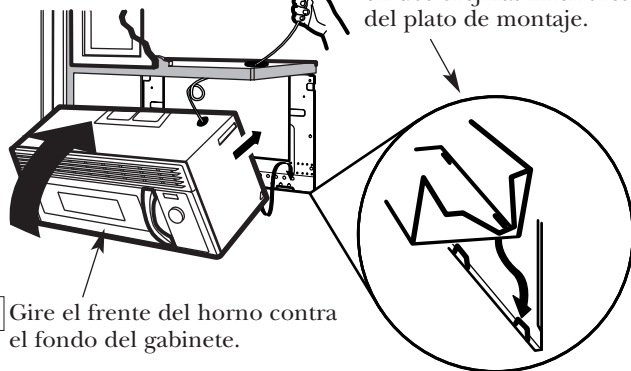
**NOTA:** Si su gabinete es de metal, use la arandela de nilón alrededor del cable eléctrico para evitar que el mismo sea cortado.

**NOTA:** Recomendamos el uso de bloques de relleno si el frente del gabinete cuelga por debajo del estante del fondo del gabinete.

**IMPORTANTE:** Si no se usan bloques de relleno, podrían ocurrir daños por apretar demasiado los tornillos.

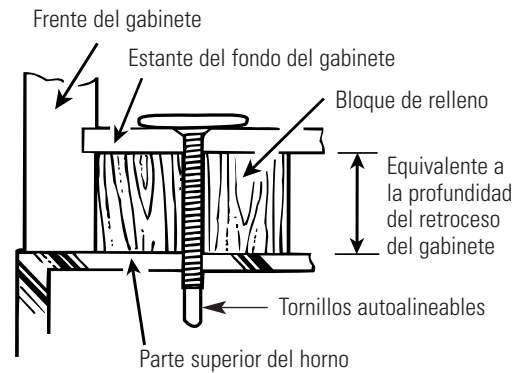
**NOTA:** Cuando se encuentre montando el horno, enrosque el cable eléctrico a través del agujero en el fondo del gabinete superior. Manténgalo tenso a través de los Pasos del 1-3. No pellizque el cable ni tire del horno por el cable.

**1** Levante el horno, inclínelo hacia adelante, y enganche las ranuras en el extremo inferior posterior en dos orejillas inferiores del plato de montaje.



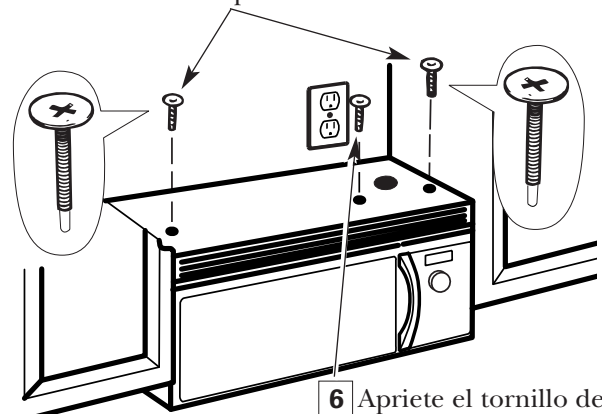
**2** Gire el frente del horno contra el fondo del gabinete.

**3** Inserte un tornillo de autoalineación a través del agujero central superior del gabinete. Asegure el horno temporalmente girando el tornillo por lo menos **dos vueltas completas** después de que las roscas hayan agarrado. (Luego quedarán totalmente apretadas). **Cerchiórese de mantener el cable eléctrico estirado. Tenga cuidado de no pellizcar el cable, especialmente cuando se monte al nivel del fondo del gabinete.**



**4** Pegue el horno a la parte superior del gabinete.

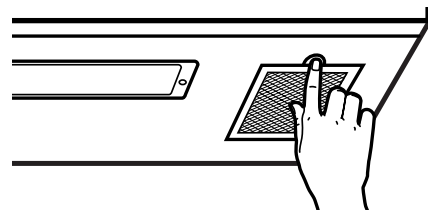
**5** Inserte 2 tornillos ( $\frac{1}{4}$ "-28 x  $\frac{3}{4}$ " ) autoalineables a través de los agujeros exteriores del horno. Gire dos vueltas completas en cada tornillo.



**6** Apriete el tornillo del centro completamente.

**NOTA:** Use Tornillos autoalineables ( $\frac{1}{4}$ "-28 x  $2\frac{5}{8}$ " ) en JVM1790 y Tornillos autoalineables ( $\frac{1}{4}$ "-28 x  $\frac{3}{4}$ " ) en JVM1490, SCA1000, y SCA1001.

**7** Apriete los dos tornillos exteriores hacia la parte de arriba del horno. (Mientras aprieta los tornillos, mantenga el horno en su lugar contra la pared y el gabinete superior.)



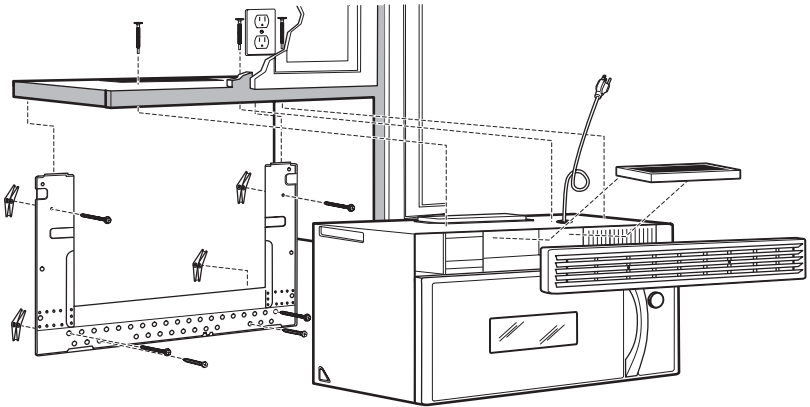
**8** Instale los filtros de grasa. Ver el Manual del Propietario que viene con el horno.

# Instrucciones de instalación

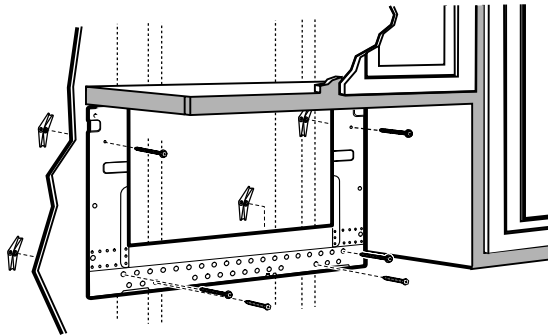
## C RECIRCULACIÓN (Sin conducto de ventilación)

### PERSPECTIVA GENERAL DE LA INSTALACIÓN

- C1. Pegue el plato de montaje a la pared
- C2. Prepare el gabinete superior
- C3. Ajuste el calefactor
- C4. Monte el horno
- C5. Instale el filtro de carbonilla (No suministrado)



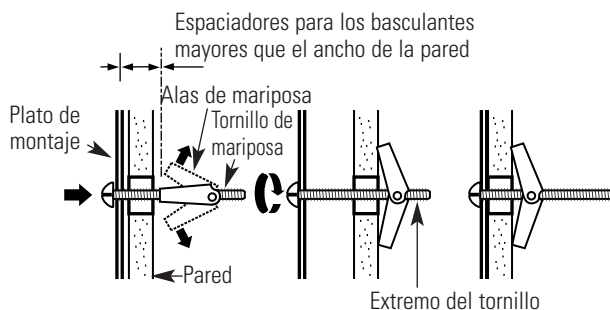
### C1. CÓMO ADHERIR LA PLACA DE MONTAJE A LA PARED



Pegue el plato a la pared usando los tornillos basculantes. Por lo menos un tornillo de madera debe ser usado para pegar el plato al poste de la pared.

- 1 Remueva las mariposas del basculante de los tornillos.
- 2 Inserte los tornillos en el plato de montaje a través de los agujeros diseñados para ser insertados en la pared de mampostería seca y pegue otra vez las mariposas de  $\frac{3}{4}$ " en cada tornillo.

**Para usar los tornillos basculantes:**



- 3 Coloque el plato de montaje contra la pared e inserte las alas de mariposa en los agujeros de la pared para montar el plato.

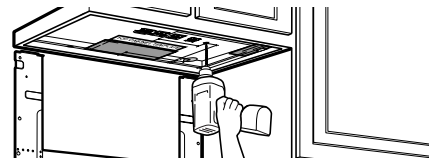
**NOTA:** Antes de apretar los tornillos basculantes y los tornillos de madera, cerciórese de que las orejillas en el plato de montaje toquen el fondo del gabinete cuando son empujadas contra la pared y de que el plato esté centrado apropiadamente debajo del gabinete.

**PRECAUCIÓN:** Tenga cuidado de evitar pellizcar sus dedos entre la parte posterior del plato de montaje y la pared.

- 4 Apriete todos los tornillos. Tire del plato en dirección opuesta a la pared para ayudar a apretar los tornillos.

### C2. USE LA PLANTILLA DE GABINETE SUPERIOR PARA LA PREPARACIÓN DEL GABINETE

Deberá perforar agujeros para los tornillos de apoyo superiores y un agujero suficientemente grande para que el cable eléctrico quepa.



- Lea las instrucciones sobre la PLANTILLA DEL GABINETE SUPERIOR.
- Péguela debajo del gabinete superior.
- Taladre un agujero, siguiendo las instrucciones en la PLANTILLA DEL GABINETE SUPERIOR.

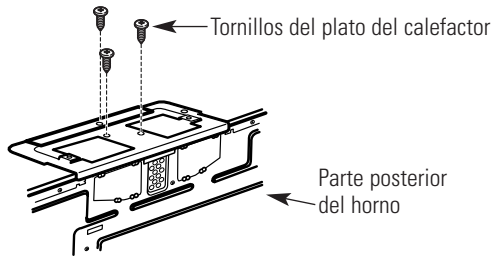
**PRECAUCIÓN:** Use gafas de seguridad cuando perforo los agujeros en el fondo del gabinete.

# Instrucciones de instalación

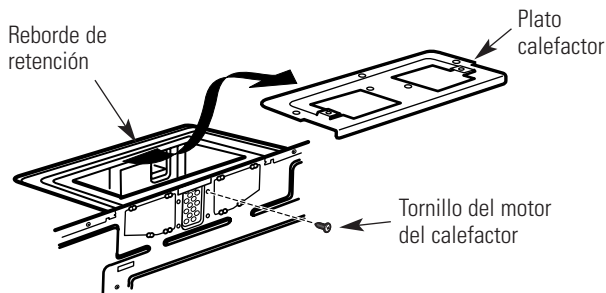
## C3. CÓMO ADAPTAR EL CALEFACTOR PARA LA RECIRCULACIÓN

**NOTA:** El adaptador de escape con calefactor no es necesario para los modelos de recirculación. Quizás desee guardarlos para posibles usos futuros.

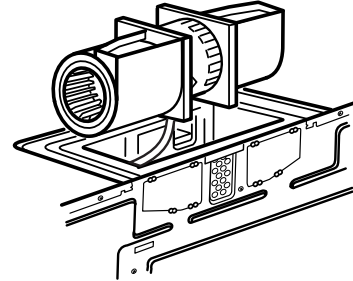
- 1 Remueva y guarde los tornillos que sostienen el plato del calefactor en el horno.



- 2 Deslice el plato calefactor por debajo de su reborde de retención. Remueva y guarde los tornillos que sostienen el motor del calefactor al horno.

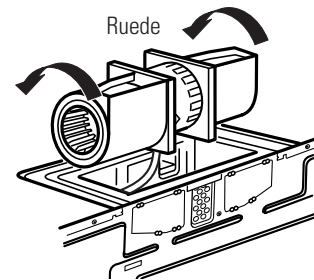
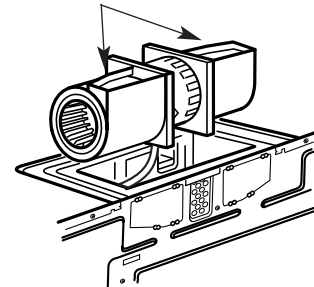


- 3 Cuidadosamente tire del calefactor. Los alambres se extenderán lo suficiente para permitirle que usted ajuste la unidad del calefactor.

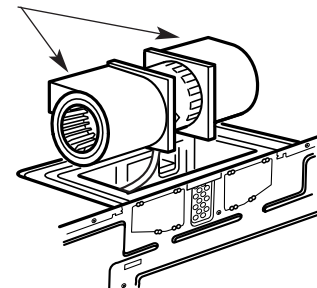


- 4 Ruede la unidad del calefactor 90° de forma tal que las aberturas de la paleta del ventilador estén

**ANTES: LAS ABERTURAS DE LA PALETA DEL VENTILADOR ESTÁN ORIENTADAS HACIA ARRIBA**



**DESPUÉS: LAS ABERTURAS DE LA PALETA DEL VENTILADOR ESTÁN ORIENTADAS HACIA ADELANTE**



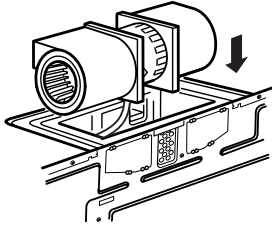
**NOTA:** Cerciórese de que los alambres permanecen encaminados en las ranuras del marco del motor.

# Instrucciones de instalación

## C3. CÓMO ADAPTAR EL CALEFACTOR PARA LA RECIRCULACIÓN (continuación)

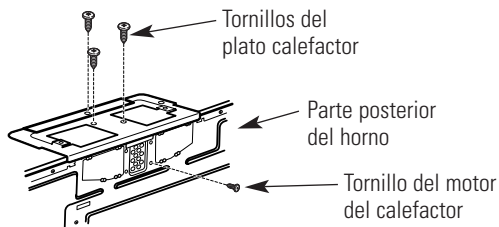
- 5 Coloque la unidad del calefactor de nuevo en la abertura.

**PRECAUCIÓN:** No tire ni estire los cables del calefactor. Cerciñese de que los alambres no están pellizcados.

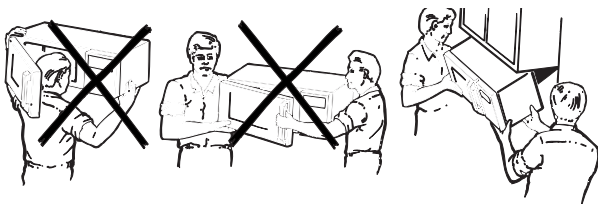


- 6 Asegure la unidad del calefactor en el horno con los tornillos removidos en el Paso 2. Inserte el tornillo en el portador de tornillo inferior derecho en la parte posterior del horno.

- 7 Reemplace el plato calefactor con los tornillos removidos en el Paso 1.



## C4. MONTAJE DEL HORNO



PARA UNA INSTALACIÓN MÁS FÁCIL Y EN POS DE LA SEGURIDAD PERSONAL, SE RECOMIENDA QUE DOS PERSONAS INSTALEN ESTE HORNO.

**IMPORTANTE:** No agarre ni use la manija de la puerta durante la instalación.

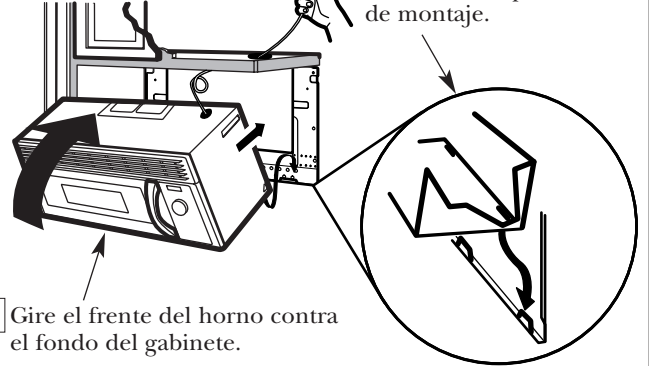
**NOTA:** Si su gabinete es de metal, use la arandela de nilón alrededor del cable eléctrico para evitar que el mismo sea cortado.

**NOTA:** Recomendamos el uso de bloques de relleno si el frente del gabinete cuelga por debajo del estante del fondo del gabinete.

**IMPORTANTE:** Si no se usan bloques de relleno, podrían ocurrir daños por apretar demasiado los tornillos.

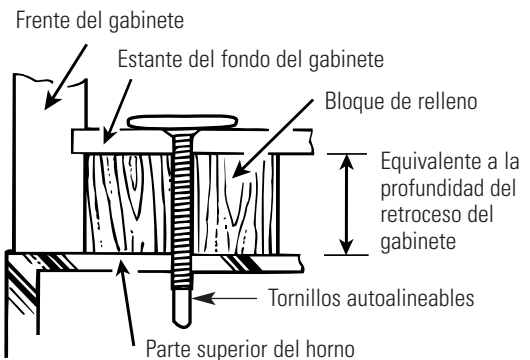
**NOTA:** Cuando se encuentre montando el horno, enrosque el cable eléctrico a través del agujero en el fondo del gabinete superior. Manténgalo tenso a través de los Pasos del 1-3. No pellizque el cable ni tire el horno por el cable.

- 1 Levante el horno, inclínelo hacia adelante, y enganche las ranuras en el extremo inferior posterior en dos orejillas inferiores del plato de montaje.



- 2 Gire el frente del horno contra el fondo del gabinete.

- 3 Inserte un tornillo de autoalineación a través del agujero central superior del gabinete. Asegure el horno temporalmente girando el tornillo por lo menos dos vueltas completas después de que las roscas hayan agarrado. (Luego quedarán totalmente apretadas). **Cerciñese de mantener el cable eléctrico estirado. Tenga cuidado de no pellizcar el cable, especialmente cuando se monte al nivel del fondo del gabinete.**



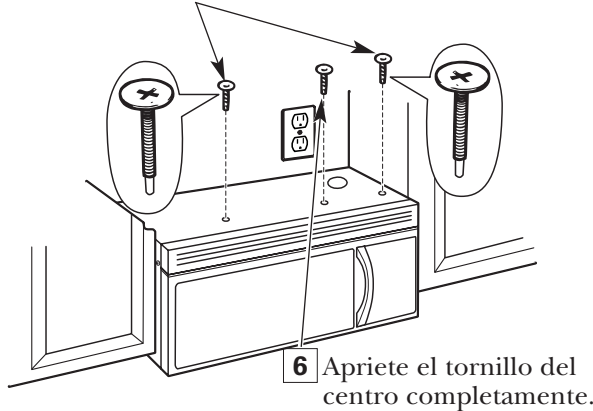
- 4 Pegue el horno a la parte superior del gabinete.



# Instrucciones de instalación

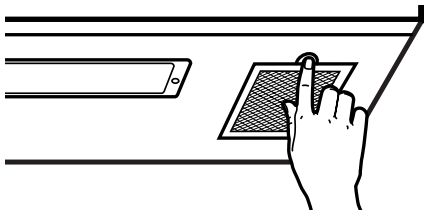
## C5. MONTAJE DEL HORNO (continuación)

- 5 Inserte 2 tornillos ( $\frac{1}{4}$ "-28 x  $\frac{3}{4}$ " autoalineables a través de los agujeros exteriores superiores del gabinete. Gire dos vueltas completas en cada tornillo.



**NOTA:** Use Tornillos autoalineables ( $\frac{1}{4}$ "-28 x  $2\frac{5}{8}$ " en JVM1790 y Tornillos autoalineables ( $\frac{1}{4}$ "-28 x  $\frac{3}{4}$ " en JVM1490, SCA1000, y SCA1001.

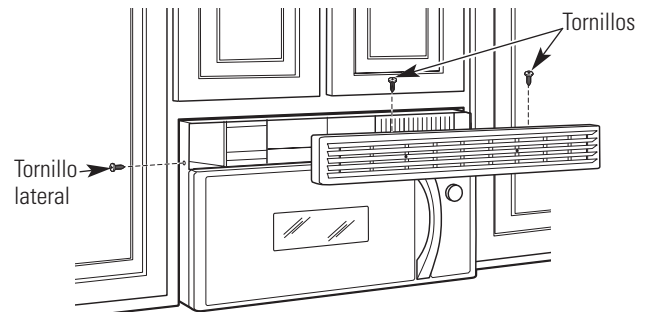
- 7 Apriete los dos tornillos exteriores hacia la parte de arriba del horno. (Mientras aprieta los tornillos, mantenga el horno en su lugar contra la pared y el gabinete superior.)



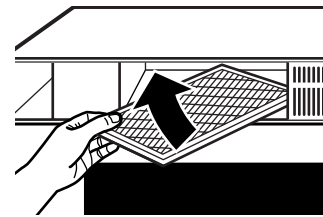
- 8 Instale los filtros de grasa. Ver el Manual del Propietario que viene con el horno.

## C6. CÓMO INSTALAR EL FILTRO DE CARBONILLA

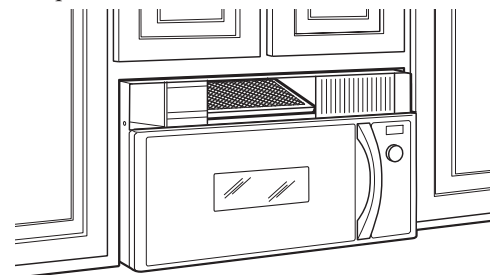
- 1 Remueva los 2 tornillos en la parte superior del horno, justo encima de la rejilla usando un destornillador de estrella. Retire un tornillo en el lado izquierdo.
- 2 Abra la puerta.
- 3 Remueva la rejilla.



- 4 Inserte el filtro en horno como se muestra, maniobrándolo detrás de la rejilla plástica hasta que se ajuste correctamente en su lugar. Descansará en un ángulo detrás de la rejilla plástica en dos lengüetas laterales de soporte y en frente de la lengüeta trasera derecha. Cuando está instalado correctamente, la malla del filtro debería estar visible desde el frente.



- 5 Reemplace la rejilla y los dos tornillos superiores.
- 6 Cierre la puerta y vuelva a colocar el tornillo del lado izquierdo.



Inserte la malla hacia abajo

# Instrucciones de instalación

## ANTES DE COMENZAR A USAR SU HORNO

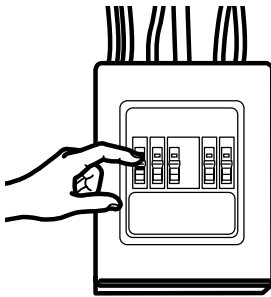
- 1.** Cerciórese de que el horno ha sido instalado de acuerdo con las instrucciones.



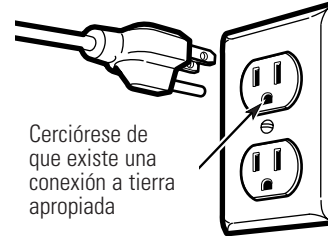
- 2.** Remueva todos los materiales de embalaje del horno.

- 3.** Instale el aro rotatorio y con ruedas en la cavidad.

- 4.** Reemplace el fusible de la casa o encienda de nuevo el interruptor.

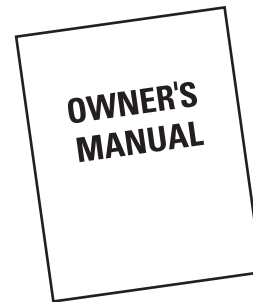


- 5.** Enchufe el cable eléctrico en un tomacorriente exclusivo de 15 a 20 amperios.



Cerciórese de que existe una conexión a tierra apropiada

- 6.** Lea el Manual del Propietario.



- 7.** GUARDE ESTAS INSTRUCCIONES PARA EL USO DEL INSPECTOR LOCAL.

