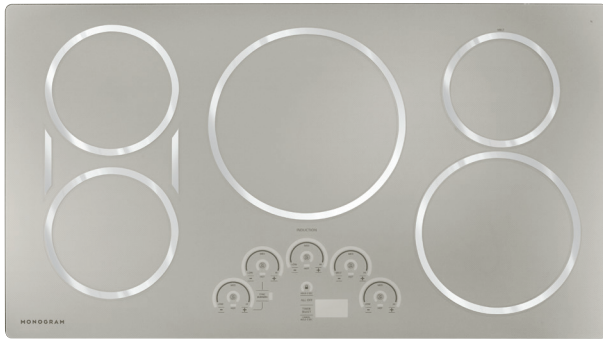


MONOGRAM 36" INDUCTION COOKTOP

ZHU36RSPSS



GOURMET GUIDED COOKING

Elevate your culinary skills. Use the Hestan Cue™ pan included with your new cooktop and this smart cooking system to create an array of chef-inspired recipes—perfectly

FIVE INDUCTION COOKING ELEMENTS

Enjoy a new level of rapid, precise heating with a cool-to-the-touch surface that's easy to clean

GLIDE TOUCH CONTROLS

Easy to use electronic controls allow you to precisely raise or lower heat in an instant with one easy swipe

11" 3700W INDUCTION ELEMENT

Rapidly boil water with our most powerful induction element

SYNCBURNERS

Control two 7" elements simultaneously to evenly heat large cookware or the included griddle

MELT SETTING

Gently melt delicate foods without burning or scorching

CONTROL LOCK CAPABILITY

Protects against unintended activation

CUSTOM SETTINGS

Personalize your cooktop settings to fit your cooking style

PAN PRESENCE & SIZE SENSORS

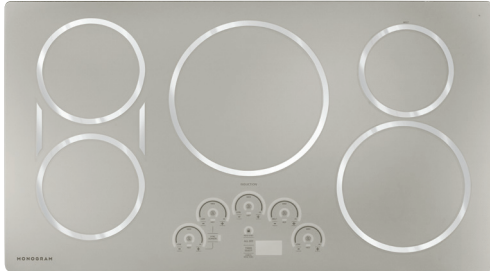
Cook efficiently with elements that heat to the size of your pan and shut off when no pan is present

FLUSH-MOUNT CAPABLE

Optional accessory kit enables the cooktop to be flush inset into the countertop for a sleek, modern look

PRECISION COOKING

Achieve restaurant quality results with an optional probe that wirelessly controls the temperature of your food. Ideal for Sous Vide, Slow Cooking, making candy, etc., or for any other cooking that requires precise control of temperature over time



SPECIFICATIONS

Overall Width	36" (91.4 cm)
Overall Depth	20 3/8" (51.8 cm)
Overall Height	4 5/8" (11.8 cm)
Cut-out Width	33 7/8" (86.0 cm)
Cut-out Depth	19 1/8" (48.6 cm)
Conduit Length	48" (122 cm)
Electrical Rating	11,600W at 240V/60Hz 10,100W at 208V/60Hz
Recommended Circuit Breaker Size	50 Amps
Net Weight	56 lbs. (25.4 kg)
Approx. Shipping Weight	63 lbs. (28.6 kg)

OPTIONAL ACCESSORIES

Precision Cooking Kit	JXPROBE1
Flush-Mount Kit	JXFLUSH1
Griddle	JXGRIDL1

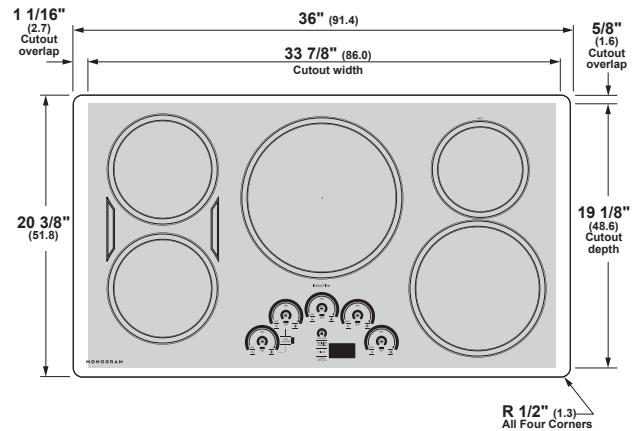
ATTENTION ELECTRICIAN:

This cooktop is provided with a 48" flexible conduit and must be hard wired (direct wired) into an approved junction box and be properly grounded. It is not permitted to use a "plug and receptacle" type installation on this cooktop.

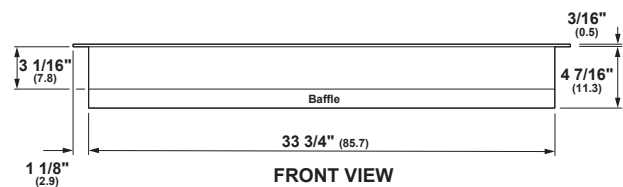
Use a two-wire, three conductor 208/240 VAC, 60 Hertz electrical system. A white (neutral) wire is not needed for this cooktop.

For more details refer to the installation instructions for this product.

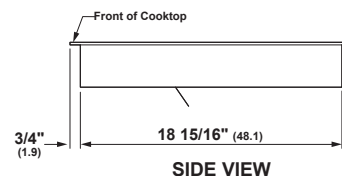
OVERALL DIMENSIONS



TOP VIEW (SHOWING CUTOUT OVERLAP)



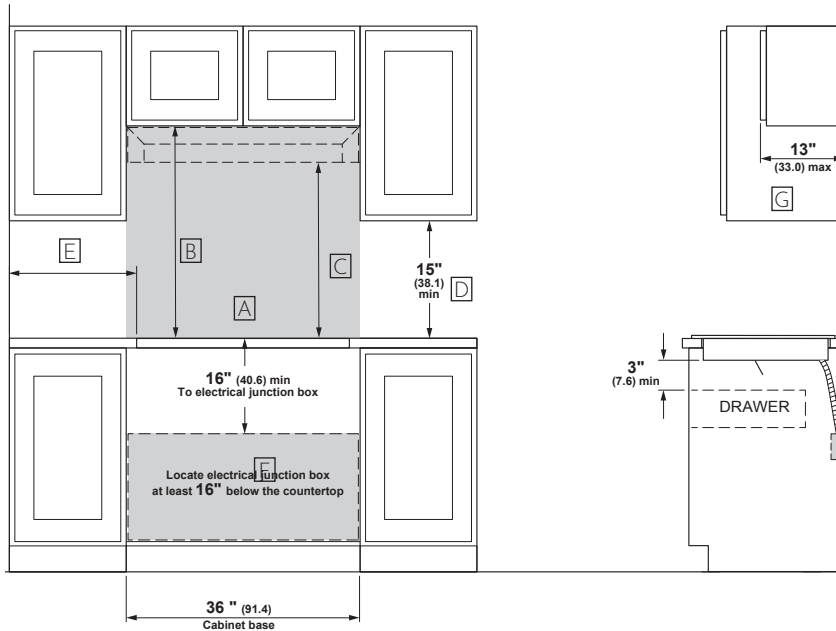
FRONT VIEW



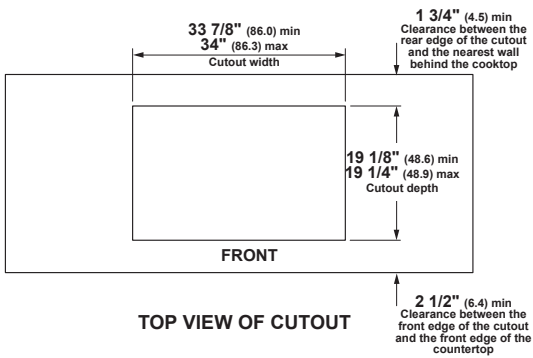
SIDE VIEW

Dimensions in parentheses are in centimeters unless otherwise noted. Actual product dimensions may vary due to manufacturing tolerances.

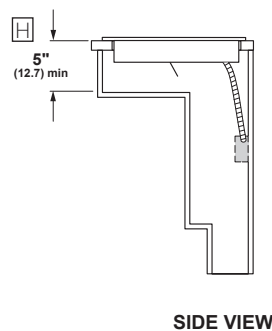
INSTALLATION



COUNTERTOP CUT-OUT DIMENSIONS



ADA INSTALLATION



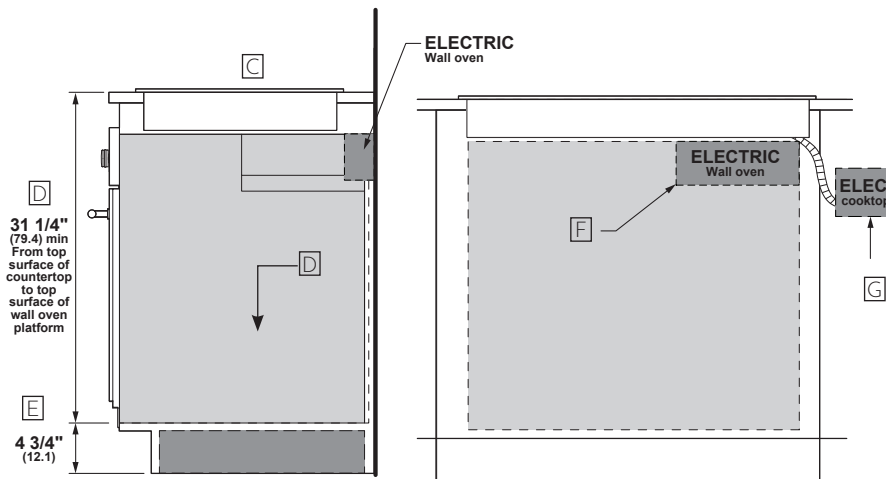
HELPFUL TIPS

- A Wall coverings, countertop and cabinets surrounding cooktop must be able to withstand temperatures of up to 200°F.
- B Minimum 30" clearance from countertop to unprotected overhead surfaces, when no ventilation hood or microwave oven is installed.
- C When using a ventilation hood or microwave oven above the cooktop, see hood or microwave installation instructions for minimum overhead clearance dimensions.
- D Minimum 15" of clearance from countertop to nearest overhead surface on both sides of cooktop. Make sure to include any lighting rail covers in calculation.
- E Minimum 2" distance from edge of cutout to nearest adjacent side wall below upper cabinets.
- F Install an approved junction box where it can be easily reached through the front of the cabinet where the cooktop is located. IMPORTANT: For serviceability, the junction box must be located where it will allow considerable slack in the 48" long conduit.
- G Maximum 13" depth of unprotected overhead surfaces, when no ventilation hood or microwave oven is installed.
- H For Americans with Disabilities Act (ADA) forward approach installation: Minimum 5" clearance between the top of the countertop and the enclosure. The enclosure must be made of at least 1/4" thick wood material, and must have an access panel installed in order to provide access to the junction box and hold-down brackets, and to allow for service of the cooktop.

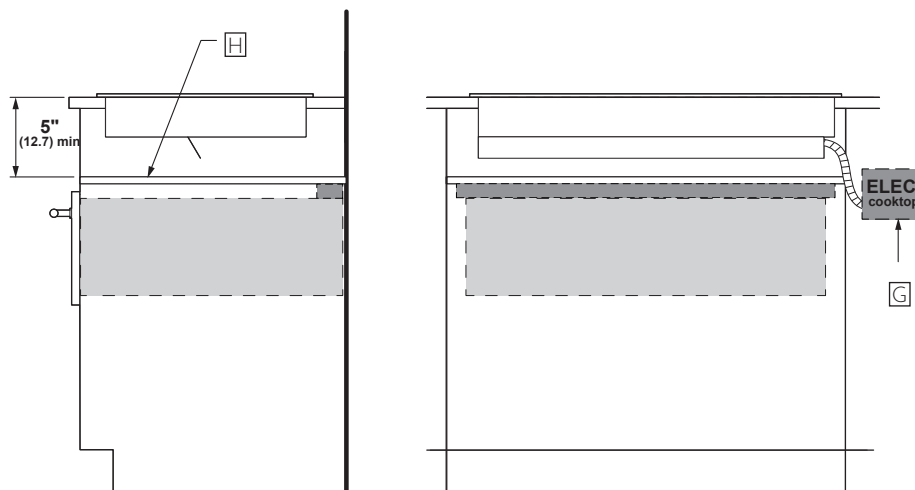
For more details refer to the installation instructions for this product.

Dimensions in parentheses are in centimeters unless otherwise noted.

INSTALLATION ABOVE WALL OVEN A



INSTALLATION ABOVE WARMING DRAWER B



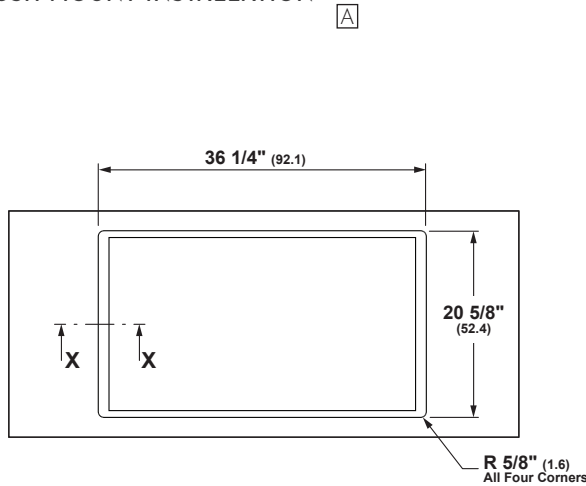
HELPFUL TIPS

- A Note this cooktop is only approved for installation above specific wall ovens as labeled on this unit.
- B Warming drawers are approved for installation below only certain specified cooktop models. See the label attached to the top of the warming drawer or underside of the cooktop for approved combinations.
- C When installing this cooktop above a single wall oven, do not install the baffle.
- D Maintain a minimum distance of 31-1/4" from the top surface of the countertop to the wall oven platform to ensure that the cooktop and wall oven do not interfere with each other (see picture).
- E The cooktop platform must be a minimum height of 4-3/4" from the floor to ensure that the handle does not hit the floor when the door is open.
- F Junction box location for wall oven (may also be located in adjacent cabinet).
- G Electrical connection for cooktop must be located in an accessible adjacent location to the right (may also be located in adjacent cabinet).
- H When installing the cooktop above a warming drawer, a solid barrier must be installed at least 5" from the top of the countertop. Use any solid material such as 1/4" thick plywood. Allow at least a 2" air gap between the front of the barrier and the inside of the cabinet and at least 1/4" air gap between the barrier and the top of the warming drawer.

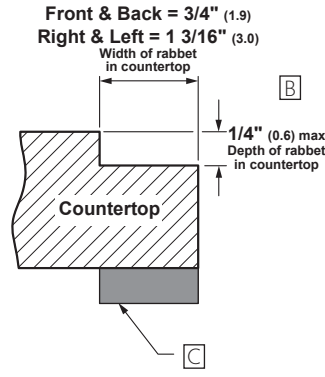
For more details refer to the installation instructions for this product

For more details, refer to the installation instructions for this product on Monogram.com. Dimensions in parentheses are in centimeters unless otherwise noted.

FLUSH MOUNT INSTALLATION



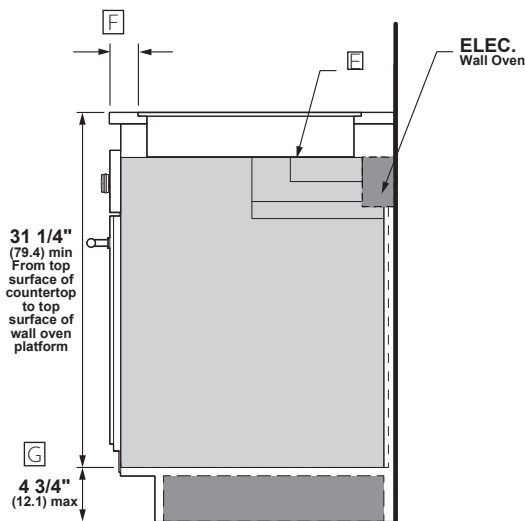
TOP VIEW OF CUTOUT



SECTION X-X

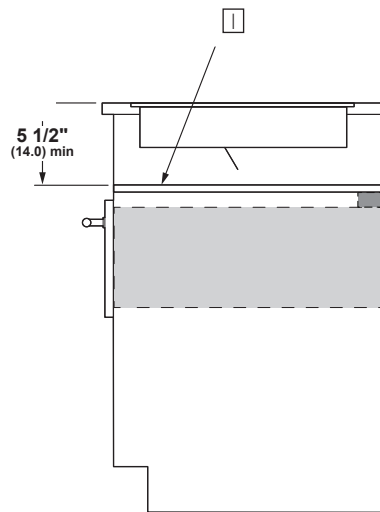
Through countertop showing depth of rabbet for flush-mount

FLUSH-MOUNT INSTALLATION ABOVE WALL OVEN



SIDE VIEW

FLUSH-MOUNT INSTALLATION ABOVE WARMING DRAWER



SIDE VIEW

HELPFUL TIPS

- A** Use optional JXFLUSH1 kit to flush-mount the cooktop into the countertop. Read all installation instructions supplied with cooktop and kit before beginning installation.
- B** To avoid hot cookware from contacting the countertop surface, the cooktop should be installed at least 1/32" higher than the countertop.
- C** Use strips of wood or solid-surface countertop material to reinforce the countertop below the flush-mount rabbet. For an island or peninsular installation secure strips to all four sides, otherwise just secure strips to the front and back under the cutout.
- D** Note this cooktop is only approved for installation above specific wall ovens as labeled on this unit.
- E** When installing this cooktop above a single wall oven, do not install the baffle.
- F** When this cooktop is installed above a flush-mounted wall oven, the clearance from the front edge of the countertop to the front edge of the cooktop cutout is minimum 2-1/2" plus the wall oven cleat setback.
- G** The cooktop platform must be a minimum height of 4-3/4" from the floor to ensure that the handle does not hit the floor when the door is opened.
- H** Warming drawers are approved for installation below only certain specified cooktop models. See the label attached to the top of the warming drawer or underside of the cooktop for approved combinations.
- I** When installing the cooktop above a warming drawer, a solid barrier must be installed at least 5-1/2" from the top of the countertop. Use any solid material such as 1/4" thick plywood. Allow at least 1/4" air gap between the barrier and the top of the warming drawer.

For more details, refer to the installation instructions for this product on Monogram.com. Dimensions in parentheses are in centimeters unless otherwise noted.

For more details refer to the installation instructions for this product