



Profile

Propane Gas RV
RANGE OVEN

SAFETY INFORMATION 3

USING THE RANGE

Cooktop..... 7

Oven..... 8

Oven and Control Knob Lights 9

Oven Racks 9

Aluminum Foil and Oven Liners..... 9

Oven Vents 9

Oven Cooking Guide10

CARE AND CLEANING

Cooktop Surfaces..... 11

Exterior Surfaces12

Interior Surfaces.....12

Oven Light.....14

INSTALLATION INSTRUCTIONS

Before You Begin.....15

Cabinet And Counter Cutout Dimensions ..16

Installation Clearances17

Gas Installation Locations.....18

Oven Installation18

TROUBLESHOOTING TIPS..... 22

LIMITED WARRANTY 23

CONSUMER SUPPORT 24

**OWNER'S MANUAL
AND INSTALLATION
INSTRUCTIONS**

PLD617
PLD621

ENGLISH/FRANÇAIS

Write the model and serial numbers here:

Model # _____

Serial # _____

You can find the rating label underneath the cooktop.

ESPAÑOL

Para consultar una version en español de este manual de instrucciones, visite nuestro sitio de internet GEAppliances.com.

THANK YOU FOR MAKING GE APPLIANCES A PART OF YOUR RV.

Whether you grew up with GE Appliances, or this is your first, we're happy to have you in the family.

We take pride in the craftsmanship, innovation and design that goes into every GE Appliances product, and we think you will too. Among other things, registration of your appliance ensures that we can deliver important product information and warranty details when you need them.

Register your GE appliance now online. Helpful websites and phone numbers are available in the Consumer Support section of this Owner's Manual.



IMPORTANT SAFETY INFORMATION

READ ALL INSTRUCTIONS BEFORE USING THE APPLIANCE

▲ WARNING Read all safety instructions before using the product. Failure to follow these instructions may result in fire, electrical shock, serious injury or death.

▲ WARNING If the information in this manual is not followed exactly, a fire or explosion may result, causing property damage, personal injury or death.

- Do not store or use gasoline or other flammable vapors and liquids in the vicinity of this or any other appliance.
- WHAT TO DO IF YOU SMELL GAS
 - Do not try to light any appliance.
 - Do not touch any electrical switch.
 - Do not use any phone in your recreational vehicle.
 - Clear the recreational vehicle of all occupants.
 - Turn off the gas supply tank valve(s) or main gas supply.
 - Immediately call your gas supplier for instructions.
 - If you cannot reach your gas supplier, call the fire department.
- Have the gas system checked and leakage source corrected by a qualified installer, service agency, manufacturer, dealer or the gas supplier.

READ AND SAVE THESE INSTRUCTIONS

IMPORTANT SAFETY INFORMATION

READ ALL INSTRUCTIONS BEFORE USING THE APPLIANCE

▲WARNING GENERAL SAFETY INSTRUCTIONS

▲WARNING Carbon Monoxide Poisoning. Never use this appliance as a space heater to heat or warm the room. Doing so may result in Carbon Monoxide poisoning or overheating of the oven. A window or air vent should be open slightly while using this appliance. Gas flames consume oxygen which must be replaced to assure proper combustion.

- Use this appliance for its intended purpose as described in this owner's manual.
 - Have your range installed by a qualified installer in accordance with the provided installation instructions.
 - Any adjustment and service should be performed only by a qualified gas range installer or service technician. Do not attempt to repair or replace any part of your range unless it is specifically recommended in this manual.
 - Your range is shipped from the factory set for use with propane gas. It can not be converted to any other gas.
 - Have the installer show you the location of the range gas shut-off valve and how to turn it off if necessary.
 - Be sure all packing materials are removed from the range before operating to prevent ignition of these materials.
 - Avoid scratching or impacting glass doors, cooktops, or control panels. Doing so may lead to glass breakage. Do not cook on a product with broken glass. Shock, fire, or cuts may occur.
 - Do not leave children alone or unattended in an area where an appliance is in use. They should never be allowed to climb, sit or stand on any part of the appliance.
- **▲CAUTION** Do not store items of interest to children in cabinets above an oven - children climbing on the oven to reach items could be seriously injured.
 - Never block the vents (air openings) of the range. They provide the air inlets and outlets that are necessary for the range to operate properly with correct combustion. Air openings are located at the rear of the cooktop, at the top and bottom of the oven door, and at the bottom of the range.
 - Use only dry pot holders—moist or damp pot holders on hot surfaces may result in burns from steam. Do not let pot holders touch surface burners, burner grate, or oven heating element. Do not use a towel or other bulky cloth in place of pot holders.
 - Do not touch the heating elements or the interior surface of the oven. These surfaces may be hot enough to burn even though they are dark in color. During and after use, do not touch, or let clothing or other flammable materials contact any interior area of the oven; allow sufficient time for cooling first. Other surfaces of the appliance may become hot enough to cause burns. Potentially hot surfaces include the burners, grates, oven vent opening, surfaces near the opening, and crevices around the oven door.
 - Do not heat unopened food containers. Pressure could build up and the container could burst, causing an injury.
 - Cook food thoroughly to help protect against foodborne illness. Minimum safe food temperature recommendations can be found at **IsItDoneYet.gov** and **fsis.usda.gov**. Use a food thermometer to take food temperatures and check several locations.
 - Do not allow anyone to climb, stand or hang on the oven door, drawer or cooktop. They could damage the range or tip it over causing severe injury or death.

READ AND SAVE THESE INSTRUCTIONS

IMPORTANT SAFETY INFORMATION

READ ALL INSTRUCTIONS BEFORE USING THE APPLIANCE

▲WARNING KEEP FLAMMABLE MATERIALS AWAY FROM THE RANGE

Failure to do so may result in fire or personal injury.

- Do not store or use flammable materials in an oven or near the cooktop, including paper, plastic, pot holders, linens, wall coverings, curtains, drapes and gasoline or other flammable vapors and liquids.
- Never wear loose-fitting or hanging garments while using the appliance. These garments may ignite if they contact hot surfaces causing severe burns.
- Do not let cooking grease or other flammable materials accumulate in or near the range. Grease in the oven or on the cooktop may ignite.

▲WARNING IN THE EVENT OF A FIRE, TAKE THE FOLLOWING STEPS TO PREVENT INJURY AND FIRE SPREADING

- Do not use water on grease fires. Never pick up a flaming pan. Turn the controls off. Smother a flaming pan on a surface unit by covering the pan completely with a well-fitting lid, cookie sheet or flat tray. Use a multi-purpose dry chemical or foam-type fire extinguisher.
- If there is a fire in the oven during baking, smother the fire by closing the oven door and turning the oven off or by using a multi-purpose dry chemical or foam-type fire extinguisher.

▲WARNING COOKTOP SAFETY INSTRUCTIONS

- Never leave the surface burners unattended. Foods, especially oily foods, may ignite resulting in fire that could spread to surrounding cabinets.
- Never leave oil unattended while frying. If allowed to heat beyond its smoking point, oil may ignite resulting in fire that may spread to surrounding cabinets. Use a deep fat thermometer whenever possible to monitor oil temperature.
- To avoid oil spillover and fire, use the minimum amount of oil when using a shallow pan-frying and avoid cooking frozen foods with excessive amounts of ice.
- Use proper pan size and avoid pans that are unstable or easily tipped. Select cookware that is matched to the size of the burner. Burner flames should be adjusted so that they do not extend beyond the bottom of the pan. Excessive flame may be hazardous.
- Always use the HI position when igniting the top burners and make sure the burners have ignited.
- When using glass/ceramic cookware, make sure it is suitable for cooktop service; others may break because of sudden change in temperature.
- To minimize the possibility of burns, ignition of flammable materials and spillage, the handle of a container should be turned toward the center of the range without extending over nearby burners.
- Do not use a wok. Doing so may trap heat and block air to the burner resulting in a carbon monoxide hazard.
- Do not use aluminum foil to cover the grates or line any part of the cooktop. Doing so may result in carbon monoxide poisoning, overheating of the cooktop surfaces, or a potential fire hazard.

READ AND SAVE THESE INSTRUCTIONS

IMPORTANT SAFETY INFORMATION

READ ALL INSTRUCTIONS BEFORE USING THE APPLIANCE

⚠ WARNING OVEN SAFETY INSTRUCTIONS

⚠ WARNING NEVER cover any slots, holes, or passages in the oven bottom or cover an entire rack with materials such as aluminum foil or oven liners. Doing so blocks air flow through the oven and may cause carbon monoxide poisoning. Never place foil or oven liners on the oven bottom. They can trap heat causing risk of smoke or fire.

- Stand away from the range when opening the oven door. Hot air or steam which escapes can cause burns to hands, face and/or eyes.
- Never place cooking utensils, pizza or baking stones, or any type of foil or liner on any surface other than racks. These items can trap heat or melt, resulting in damage to the product and risk of shock, smoke or fire.
- Place oven racks in desired location while oven is cool. If rack must be moved while oven is hot, be careful to avoid touching hot surfaces.
- Do not leave items such as paper, cooking utensils, or food in the oven when not in use. Items stored in an oven can ignite.
- Do not leave items on the cooktop near the oven vent. Items may overheat resulting in a risk of fire or burns.

⚠ WARNING FIRE OR EXPLOSION HAZARD

If the information in this manual is not followed exactly, a fire or explosion may result causing property damage, personal injury or death.

Installation must be performed by a qualified installer.

Read these instructions completely and carefully.

Installation of this appliance must conform with state and other codes or, in the absence of such codes, with:

In the USA: the Standard for Recreational Vehicles, ANSI/NFPA 1192.

In Canada: CAN/CSA Z-240.4.2-08 Installation Requirements for Propane Appliances and Equipment in Recreational Vehicles.

This range has been design-certified by CSA International according to ANSI Z21.57, latest edition and CAN1-1.16-M79, latest edition.

When installing a gas appliance, the use of old flexible connectors can cause gas leaks and personal injury. Always use a **NEW** flexible connector.

Leak testing of the appliance shall be conducted according to the manufacturer instructions.

If an external electrical source is utilized, the appliance, when installed, must be electrically grounded in accordance with state or, in the absence of such codes, with the National Electrical Code, ANSI/NFPA 70.

Do not install this product with an air curtain hood or other range hood that operates by blowing air down on the cooktop. This airflow may interfere with operation of the gas burners resulting in fire or explosion hazard.

PROPER DISPOSAL OF YOUR APPLIANCE

Dispose of or recycle your appliance in accordance with Federal and Local Regulations. Contact your local authorities for the environmentally safe disposal or recycling of your appliance.

READ AND SAVE THESE INSTRUCTIONS

Cooktop

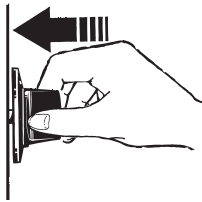
Before lighting, confirm all control knobs are in the OFF position. Make sure the main gas tank valve is open.

- Do not operate the burner for an extended period of time without cookware on the grate. The finish on the grate may discolor or chip without cookware to absorb the heat.
- Cookware should be positioned over the grates and not overhanging the side trim or countertop.
- Be sure the burners and grates are cool before you place your hand, a pot holder or cleaning materials on them.

Lighting the Cooktop

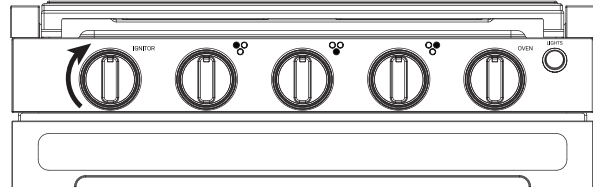
⚠ WARNING Burners should be operated only when covered by cookware. Burner flames not covered by cookware present a risk of fire or clothing ignition. Never let flames extend beyond the sides of the cookware. Failure to comply may result in serious injury.

1. Push and turn the burner control knob counterclockwise to the HI position.



Push the control knob in and turn it to the HI position.

2. Turn the ignition knob clockwise continuously until the burner is lit.



3. Rotate the burner control knob to adjust the flame level.
4. Repeat steps 1-3 to light the other burner(s) as needed.

If a burner does not ignite within 5 seconds, immediately turn the control knob clockwise to the OFF position. Wait at least 5 minutes and repeat the igniting procedure. If ignition still does not occur, use a gas lighter or a match to light the burner. Refer to section "Lighting the Cooktop Manually".

Selecting a Flame Size

Watch the flame, not the knob, as you adjust heat. When rapid heating is desired, the flame size should match the size of the cookware you are using. Flames larger than the bottom of the cookware will not heat faster and may be hazardous.

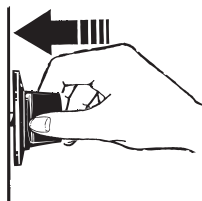


These flames are too large for the pot

Lighting the Cooktop Manually

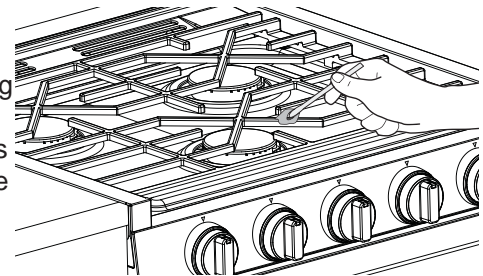
If a cooktop burner fails to ignite, you may light the burner manually by following the steps below:

1. Push and turn the burner control knob counterclockwise to the HI position.



Push the control knob in and turn it to the HI position.

2. Immediately strike and place a burning long wooden match or a gas lighter near the burner to light.



3. Rotate the burner control knob to adjust the flame level.
4. Repeat steps 1-3 to light the other burner(s) as needed.

If the Flame Goes Out

Immediately turn the control knob to OFF position. Wait at least 5 minutes and light the burner again.

Turning Off the Cooktop

To turn the cooktop burners off, rotate the control knobs clockwise to the OFF position. Do not touch or place any objects on the grates until the cooktop has cooled.

Cooktop

Cooktop Burner Usage

Use the front burner for large cookware and faster boiling. The rear burners are intended for general cooking and simmering.

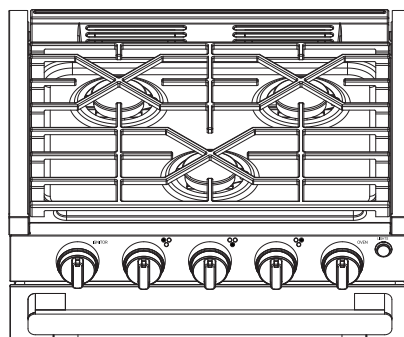
- Do not operate the burner for an extended time without cookware on the grate. The finish on the grate may discolor or chip without cookware to absorb the heat.
- Do not attempt to disassemble any burner while another burner is on. Damage to the product may occur.

- Be sure the burners and grates are cool before you place your hand, a pot holder or cleaning materials on the cooktop.

Size cookware appropriately to the flames. The rear burners are intended for general cooking and simmering. Use the front burner for larger cookware and faster boiling. Cover your cookware with a lid to bring liquids to a boil faster.

Cooktop Grate Orientation

The proper install orientation for the grate is as shown.

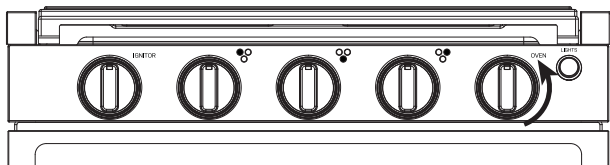


Oven

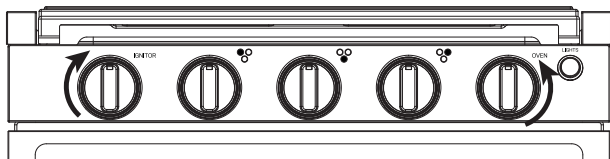
Lighting the Oven

NOTE: Before lighting, make sure the main gas tank valve is opened.

1. Pull the oven handle to open the door.
2. Push and turn the oven control knob counterclockwise to the position.

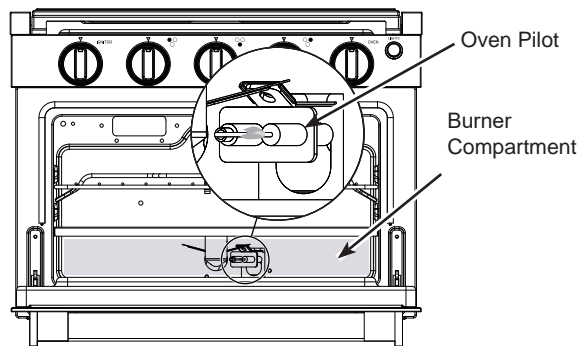


3. Keep the oven control knob pressed and rotate the ignition knob clockwise continuously until the oven pilot is lit. The oven pilot is located at the rear right of the bake burner in the burner compartment.



4. Once the oven pilot is lit, keep the oven control knob pressed for at least 15 seconds until the oven pilot sensor becomes heated.

5. Release oven control knob and visually confirm oven pilot remains lit. If oven pilot goes out, repeat steps 3 and 4.



6. Rotate the oven control knob to the highest oven temperature and visually confirm that the pilot has ignited the bake burner.
7. Rotate the oven control knob to desired temperature. Close oven door

▲ WARNING In the event of an ignition system failure, the oven is inoperable and no attempt should be made to operate it. Do not attempt to light the oven manually.

▲ WARNING Do not store objects in burner compartment.

Oven

If the Flame Goes Out

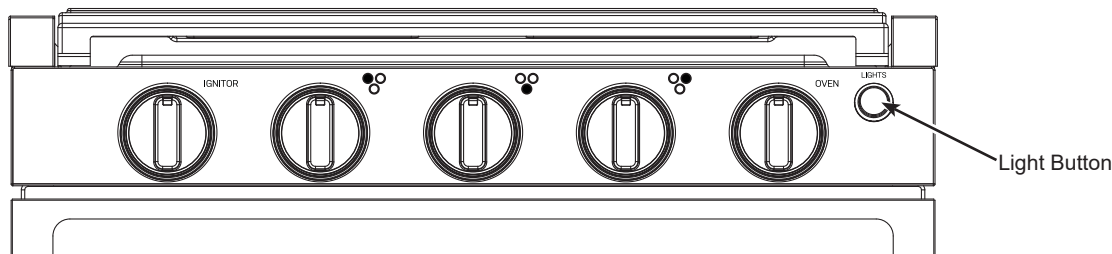
Immediately turn the oven control knob to the **OFF** position. Wait at least 5 minutes before trying to re-light the oven burner.

Turning Off the Oven

To turn off the oven, rotate the oven control knob clockwise to the **OFF** position.

Oven and Control Knob Lights

Press the **Light** button on the control panel to turn on/off the oven and control knob lights. All lights turn on and off together.



Oven Racks

When placing and removing cookware, pull the rack out to the bump (stop position) on the rack support. To remove a rack, raise the rear of the rack above the rack supports, pull the rack towards you until it is free. To replace a rack, place the rear of the rack above the rack support, then push the rack to the rear of the oven until the rack falls into place.

Aluminum Foil and Oven Liners

CAUTION Do not use any type of foil or oven liner to cover any oven surface other than racks. These items can trap heat or melt, resulting in damage to the product and risk of shock, smoke or fire. Damage from improper use of these items is not covered by the product warranty.

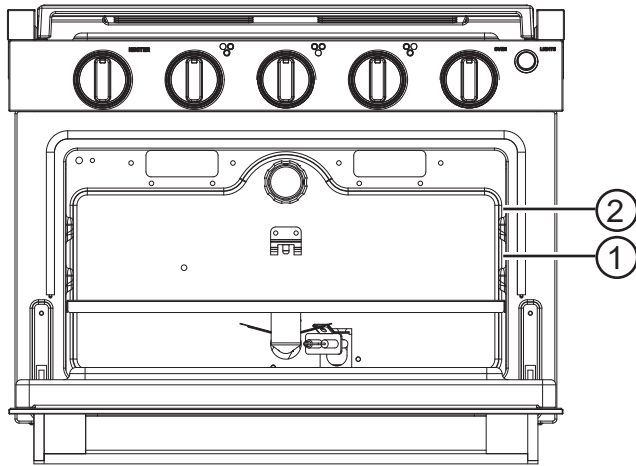
Do not use more foil than necessary and never entirely cover an oven rack with aluminum foil. Keep foil at least 1-1/2" from oven walls to prevent poor heat circulation.

Oven Vents

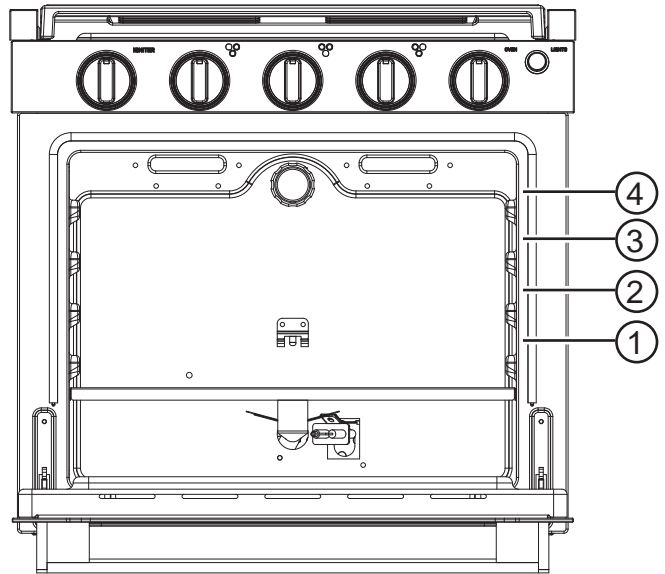
Never block the vents (air openings) of the range. They provide the air for the inlet and outlet that are necessary for the range to keep cool and operate properly with correct combustion. Never cover the opening with aluminum foil or any other material. Vents are located along the rear of the cooktop.

Oven Cooking Guide

Preheat oven for 10-15 minutes before inserting food. Use rack position 2 for standard baking. Adjust position as needed. Limit door openings as much as possible to retain heat in the oven.



PLD617RT



PLD621RT

Oven Cookware

The material, finish, and size of cookware affect baking performance. Dark, coated and dull pans absorb heat more readily than light, shiny pans. Pans that absorb heat more readily can result in a browner, crisper and thicker crust. If using dark and coated cookware check food earlier than the minimum cook time.

Cooktop Surfaces

Be sure all controls are off and all surfaces are cool before cleaning any part of the range.

Porcelain Enamel Cooktop

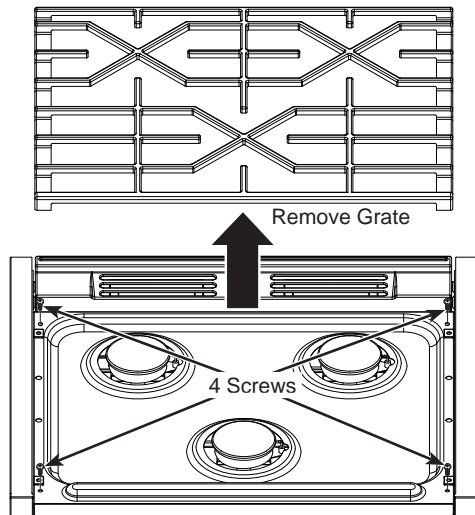
Do not use oven cleaners, abrasive cleansers, strong liquid cleansers, steel wool, plastic scouring pads, or cleaning powders on the cooktop surface. Clean with a mild soap and water or a 50/50 solution of vinegar and water. Rinse with clean water and dry with a soft cloth.

When cleaning surfaces, make sure that they are at room temperature. Spillage of marinades, fruit juices, tomato sauces and basting liquids containing acids may cause discoloration and should be wiped up as soon as hot surfaces cool, then clean and rinse. Use caution to not spill water into cooktop openings.

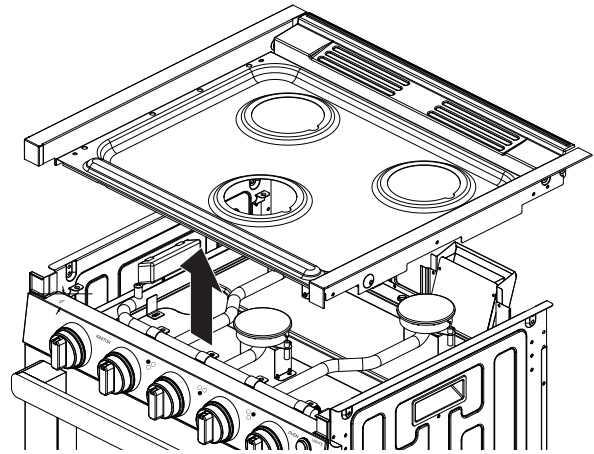
Removing the Cooktop for Cleaning in Case of Spillage

⚠ WARNING Care should be taken to not damage or modify gas tubing and wiring under cooktop. Doing so may result in fire or explosion hazard.

1. Disconnect power at the main fuse or circuit breaker panel before removing cooktop.
2. Lift up and remove grate from cooktop.



3. Remove the 4 screws on the cooktop with a Phillips screwdriver, then lift up on the cooktop to remove.



4. Clean with a mild soap and water solution with a damp cloth. Rinse with clean water and dry with soft cloth.
5. Place the cooktop back into position and attach with the 4 screws using a Phillips screwdriver.

Burner Caps

Wipe burner caps with hot, soapy water and rinse with clean water. You may scour with a plastic scouring pad to remove burned-on food particles.

Burner Heads

Wipe the burner heads routinely, especially after bad spills which could clog the burner openings. Wipe with hot, soapy water. Rinse with clean water. For more stubborn stains, use a brush with plastic bristles.

NOTE: Do not use steel wool or scouring pads to clean the burner parts as these may clog the openings. The ports in the burner heads must be kept clean at all times for an even, unhampered flame. Clogged or dirty burner ports or electrodes will not allow the burner to operate properly.

Burner Grates

Grates should be washed in hot, soapy water and rinsed with clean water. To soften burned-on food, place grates in a solution containing ¼-cup of household ammonia for several hours. Afterward, scrub grates with a plastic scouring pad soaked in hot, soapy water. Rinse well and dry. **DO NOT** use bleach or rust removers on the cooktop or burner grates.

Exterior Surfaces

Be sure all controls are off and all surfaces are cool before cleaning any part of the range.

Control Knobs

The control knobs may be removed for easier cleaning. Make sure the knobs are in the **OFF** positions and pull them straight off the stems for cleaning. The knobs can be washed with soap and water. Make sure the insides of the knobs are dry before replacing. Replace the knobs in the OFF position to ensure proper placement.

Painted Cooktop Trim

Clean cooktop trim with soap and water or a vinegar and water solution. Do not use commercial oven cleaners, cleaning powders, steel wool or harsh abrasives on any painted surface.

Stainless Steel Surfaces

Do not use a steel wool pad; it will scratch the surface. To clean the stainless steel surface, use warm sudsy water or a stainless steel cleaner or polish. Always wipe the surface in the direction of the grain. Follow the cleaner instructions for cleaning the stainless steel surface. Cleaners with oxalic acid such as Bar Keepers Friend Soft Cleanser will remove surface rust, tarnish, and small blemishes. Use only a liquid cleanser free of grit and rub in the direction of the brush lines with a damp, soft sponge.

Interior Surfaces

Oven Interior

Do not use oven cleaners, abrasive cleaners, strong liquid cleansers, steel wool, scouring pads, or cleaning powders on the interior of the oven. Spillage of marinades, fruit juices, tomato sauces and basting liquids containing acids may cause discoloration and should be wiped up immediately. Let hot surfaces cool, then clean and rinse. Clean with a mild soap and water or vinegar and water solution. Rinse with clean water and dry with a soft cloth. When cleaning surfaces, make sure that they are at room temperature. Do not rub or clean the door gasket - it has an extremely low resistance to abrasion. If you notice the gasket becoming worn, frayed or damaged in any way or if it has become displaced on the door, you should have it replaced.

Oven Racks

All racks can be washed with warm, soapy water. Racks may be more difficult to slide over time. Put some vegetable oil on a soft cloth or paper towel and rub onto the left and right edges. **NOTE:** Using other cooking oils will cause a discoloring or a rust like color residue on the racks and cavity sides. To clean this residue, use a soap and water or a vinegar and water solution. Rinse with clean water and dry with a soft cloth.

Interior Surfaces

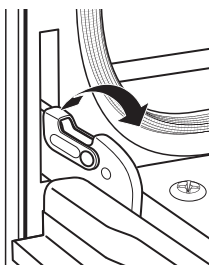
Oven Door

Door Interior and Exterior

Do not allow excess water to run into any of the holes or slots in the door. Wipe dish soap over any baked-on spatters on the glass. Use a single sided safety razor blade to clean it off. Then wipe over the glass with a soapy cloth to remove any residue and dry off.

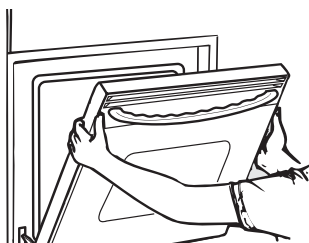
To Remove the Door:

1. Fully open the door.
2. Pull the hinge locks up and away from the range frame to the unlocked position.



Pull hinge locks up to unlock

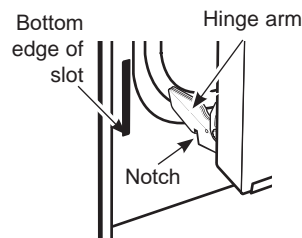
3. Firmly grasp both sides of the door near the top.
4. Close door until the top of the door is approximately 6" from the range frame.
5. Lift door up and away from the range until both hinge arms are clear of the slots in the range frame.



Removal position

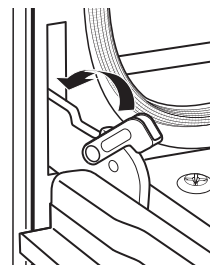
To Replace the Door

1. Firmly grasp both sides of the door near the top.
2. With the door at the same angle as the removal position, rest the notch on the underside of the left hinge arm on the bottom edge of the left hinge slot. The notch in the hinge arm must be fully seated into the bottom of the slot. Repeat for the right side.



Rest notch on bottom edge of hinge slot

3. Fully open the door. If the door will not fully open, the notches in the bottoms of the hinge arms have not seated correctly in the bottom edge of the slot. Lift the door off the range and repeat previous step.
4. Push the hinge locks toward the range cavity and down to the locked position.



Push hinge locks down to lock

5. Close the oven door.

Oven Light

⚠ CAUTION BURN HAZARD: The glass cover and bulb should be removed when cool. Touching hot glass with bare hands or a damp cloth can cause burns.

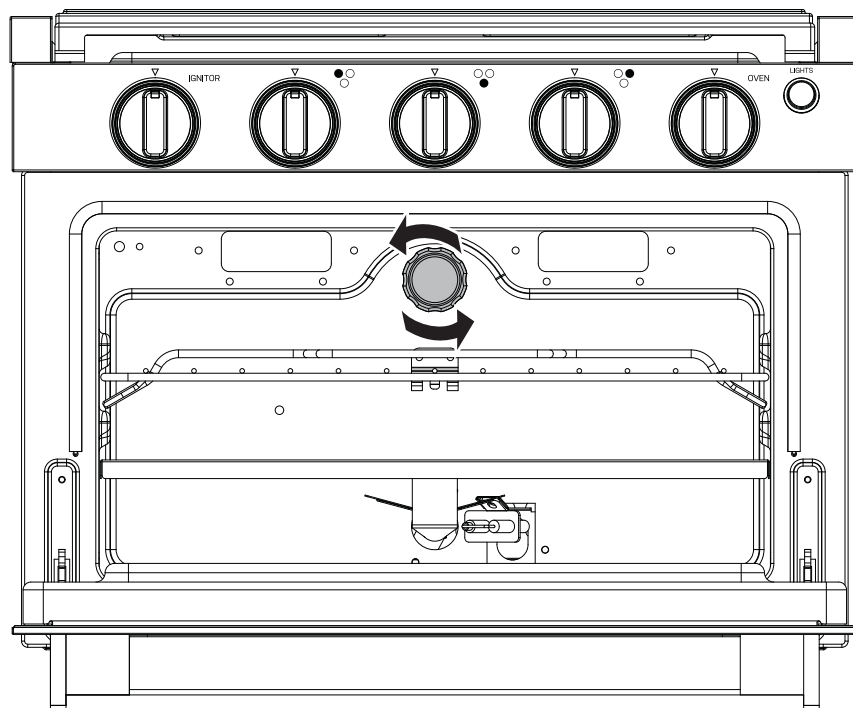
Before replacing the bulb, disconnect electrical power to the oven. Let the bulb cool completely before removing it. For your safety do not touch a hot bulb with a damp cloth. If you do the bulb may break.

1. Disconnect power to oven before changing bulb.
2. Remove the glass cover of the lamp-holder by unscrewing counter-clockwise.

3. Remove the lamp and replace with a lamp resistant to high temperatures (300 C / 572 F) with the following characteristics: - Voltage: 12V - Wattage: 10W - Type: G4 - Lamp Type: Halogen

4. Replace the glass cover by screwing the cover clockwise.

5. Reconnect the power to the oven.



Installation Instructions

Questions? Visit GEAppliances.com. In Canada, visit GEAppliances.ca.

⚠ WARNING Certain Detection Equipment is Required in Recreation Vehicles per NFPA 1192. Required equipment shall be UL approved for use in recreational vehicles. Install and use equipment in accordance with the manufacturer's instructions.

Smoke Alarm - Section 6.3.1 identifies that all recreational vehicles shall be equipped with a smoke alarm.

Carbon Monoxide Alarm - Section 6.3.2 identifies that all recreational vehicles shall be equipped with a Carbon Monoxide alarm.

Propane Detector - Section 6.3.3 identifies that all recreational vehicles with a propane appliance shall be equipped with a propane detector.

BEFORE YOU BEGIN

IMPORTANT — Save these instructions for local inspector's use.

IMPORTANT — Observe all governing codes and ordinances.

IMPORTANT — Remove all packing material and literature from oven before connecting gas and electrical supply to range.

IMPORTANT — To avoid damage to your cabinets, check with your builder or cabinet supplier to make sure that the materials used will not discolor, delaminate or sustain other damage. This oven has been designed in accordance with the requirements of CSA International and complies with the maximum allowable wood cabinet temperatures of 194°F (90°C).

Note to Installer – Be sure to leave these instructions with consumer.

Note to consumer – Keep these instructions for future reference.

Proper installation is the responsibility of the installer.

Product failure due to improper installation is not covered under warranty.

WHAT'S IN THE BOX

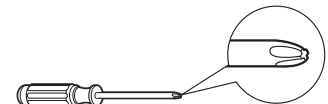
Make sure you have all the following items included in the packaging. If any item is damaged or missing, contact your dealer.

- Range Oven x 1
- Cooktop Grate x 1
- Cooking Rack x 1
- #8-15 x 1" wood screw x 4
- Owner's Manual and Installation Instructions x 1

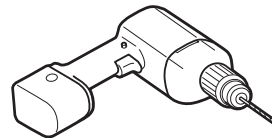
TOOLS YOU WILL NEED



Adjustable wrench (2)



Phillips screwdriver



Electric drill with 1/8" drill bit



Safety glasses



Gloves

MATERIALS YOU WILL NEED

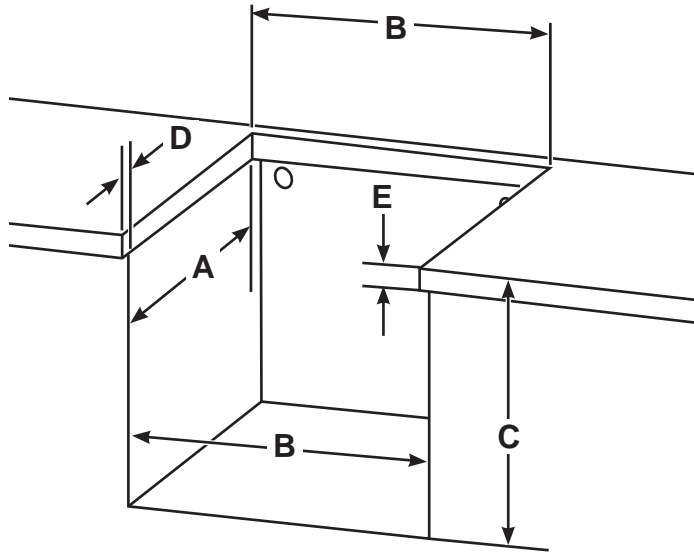
- Pipe joint sealant or UL-approved pipe thread tape with Teflon* that resists action of natural and propane gases
- Liquid leak detector or soapy water.
- Propane supply line with a 3/8" flare female connection

*Teflon: Registered trademark of DuPont

Installation Instructions

CABINET AND COUNTER CUTOUT DIMENSIONS

Ensure cabinets and countertop meet the requirements from the table before installing the range oven.



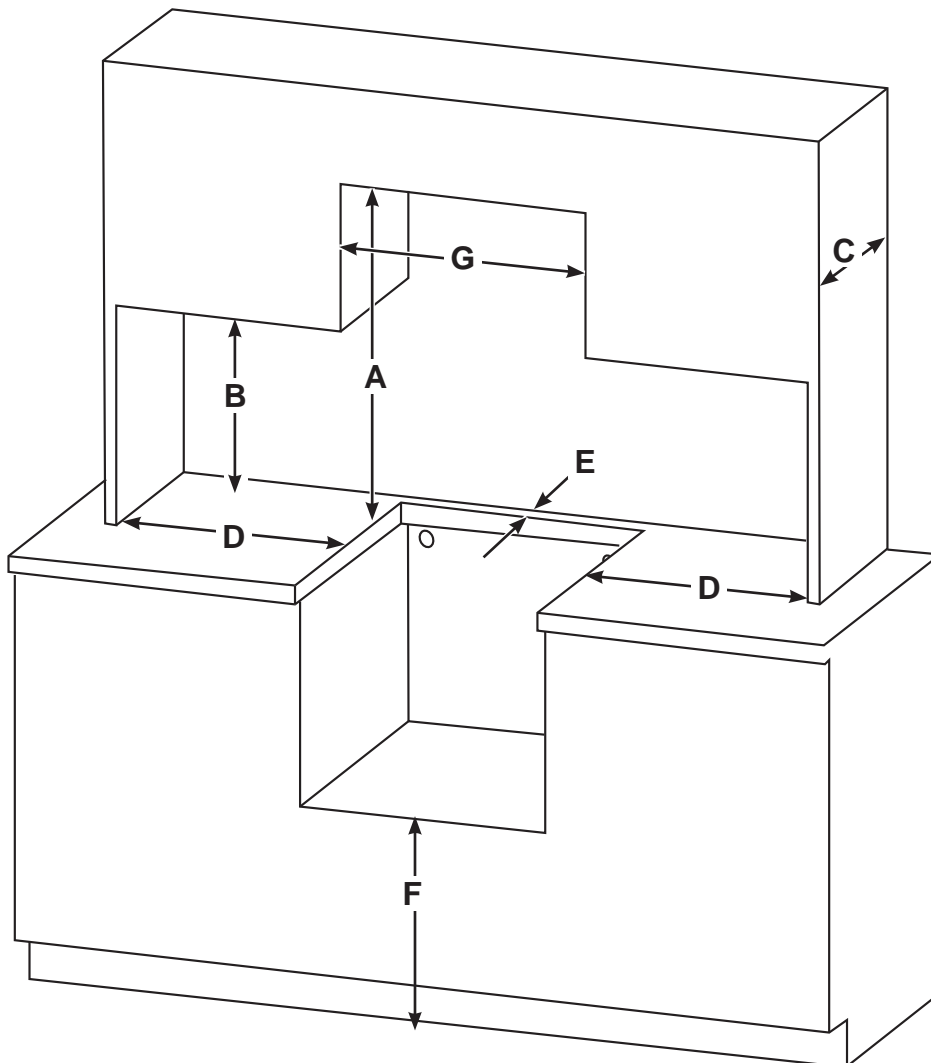
Model	A (depth)	B (width)	C (height)	D (overhang)	E (thickness)
PLD617RT	17.75"	20.25"	16.125" min.	1" max	1.625" max
PLD621RT	17.75"	20.25"	20" min.	1" max	1.625" max

NOTE: The back and sides of the range below the countertop can be flush to the cabinets. Oven to be framed in or guarded to prevent creation of storage space around the recessed portion of the appliance.

Installation Instructions

INSTALLATION CLEARANCES

Ensure cabinets and countertop meet the requirements from the table before installing the range oven.



Models	A	B	C	D	E	F	G
All Models	30" min.	18" min.	13" max	2" min	2" min	4" min.	20.25" min.

A: Allow 30" minimum vertical clearance between the countertop and combustible construction above the appliance. For alternative vertical clearances, refer to NFPA 1192 Table 5.6.6.5 for hood requirements.

B: Allow 18" minimum vertical clearance between the countertop and combustible construction to the left and right sides of the appliance.

C: The maximum allowable depth of overhead cabinets is 13". For overhead cabinet depths exceeding 13", refer to NFPA 1192 Table 5.6.6.5 for hood requirements.

D: Allow a minimum of 2" of horizontal clearance between the appliance cutout and combustible construction extending from the cooking surface to 18" above the cooking surface.

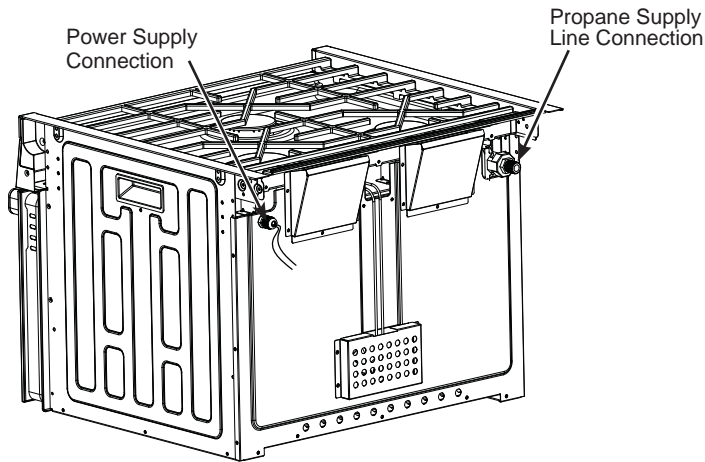
E: Allow a minimum of 2" of clearance between adjacent combustible construction and the back of the appliance cutout.

F: The minimum vertical distance between the floor and bottom of the cabinet cutout is 4".

G: The width of Vertical Clearance A shall not be less than 20.25".

Installation Instructions

GAS AND POWER SUPPLY INSTALLATION LOCATIONS



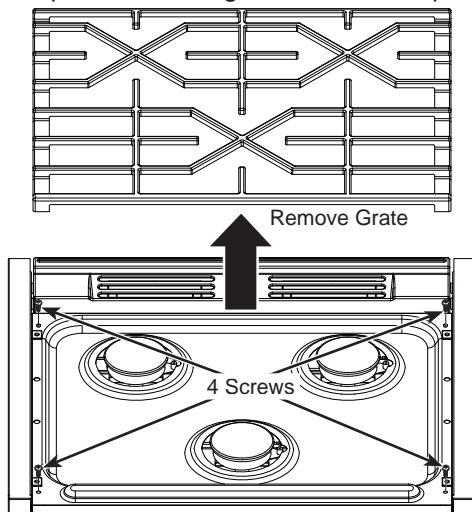
OVEN INSTALLATION

NOTE: Prior to performing installation, wear safety gloves and glasses.

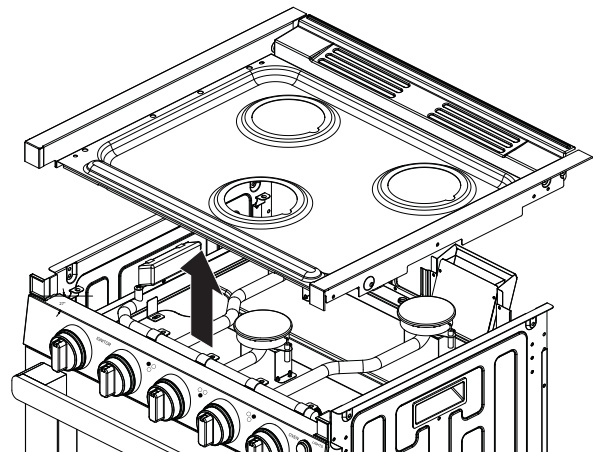
Complete the following steps when the cabinet has been prepared according to the dimensions given and the gas line and electrical connections are in place.

1. OVEN PREPARATION

- Take your range oven out of the carton and place on a flat surface. Remove the packing materials.
- Lift up and remove grate from cooktop.



- Remove the 4 screws on the cooktop with a Phillips screwdriver, then lift up on the cooktop to remove.



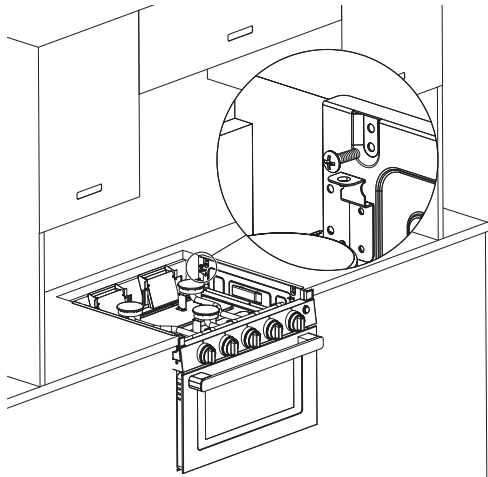
▲ WARNING Care should be taken to not damage or modify gas tubing under cooktop. Doing so may result in fire or explosion hazard.

- Lift the range oven by the side handles and set into the cabinet opening. Slide range oven back until the front cavity flanges contact the cabinet face.

Installation Instructions

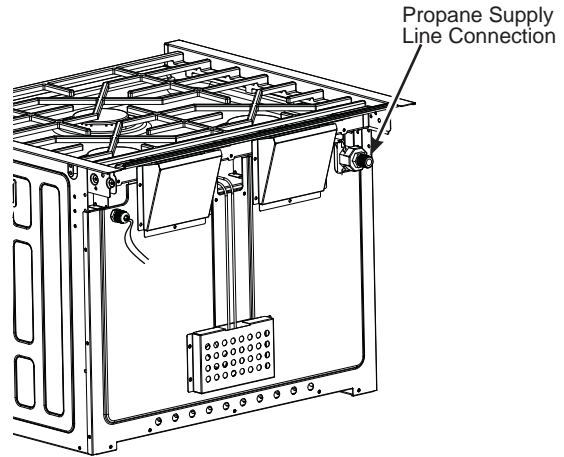
1. OVEN PREPARATION (Cont.)

- Attach the range oven in the cabinet opening by driving four screws into the countertop. Install 2 screws per side using preferred hole options based on countertop construction. If countertop is wooden, start by drilling pilot holes with a 1/8" drill bit. Drive the 4 provided screws into the holes to attach.



2. GAS SUPPLY (Cont.)

Connect a propane supply line with a 3/8" Flare Female connection to the regulator in the upper right rear corner of the cabinet



Tighten the gas line to the regulator using 2 wrenches.

IMPORTANT: Leave adequate space around the gas supply pipe in case of bend or damage during installation. Make sure the gas supply pipe cannot contact any moving parts after installed.

When using pressures greater than 1/2 psi (3.5kPa) to test the gas supply system of the RV, disconnect the range and individual shut-off valve from the gas supply piping. When using pressures of 1/2 psi (3.5kPa) or less to pressure test the gas supply system, simply isolate the range from the gas supply system by closing the individual shut-off valve.

2. GAS SUPPLY

▲ WARNING Fire Hazard: Do not use a flame to check for gas leaks.

▲ WARNING Explosion Hazard: Do not exceed 25 ft-lbs of torque when making gas line connections. Overtightening may crack the pressure regulator resulting in fire or explosion hazard.

▲ WARNING Gas leaks may not be detected by smell alone. Gas suppliers recommend your purchase and install an UL approved gas detector. Install and use in accordance with the manufacturer's instructions.

Gas Pressure Regulator

You must use the propane gas pressure regulator supplied with this range. For proper operations the inlet pressure to the regulator should be as follows:

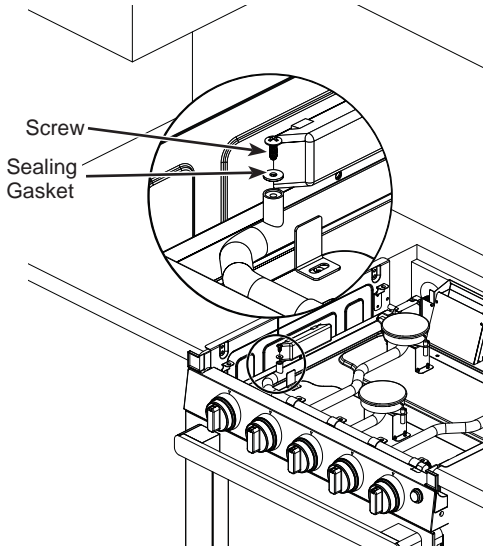
Minimum pressure: 11" of Water Column

Maximum pressure: 13.8" of Water Column

Installation Instructions

3. PRESSURE CHECK

- Ensure propane gas is turned off to the appliance.
- Remove the screw with the sealing gasket from the pressure test port on the range.



- Using the rubber tube from a pressure check measuring device, slide the rubber tube down over the gas pressure test port. The rubber tube should seal around the pressure test port.
- Turn on the propane gas to the appliance.
- The pressure gauge tester should measure between 10" WC to 13.8" WC.
- Turn off the propane gas to the appliance.
- Remove the rubber tube of the pressure check measuring device.
- Replace the screw with the gasket removed in the step above. Before replacing the screw, inspect the rubber gasket seal for any signs of damage.
- Hand tighten the screw ensuring not to damage the seal.

NOTE: Ensure the product is gas leak checked after the pressure check test is completed by also testing the pressure check port screw. If any leaks are detected around the pressure test port screw and sealing gasket, a new one can be purchased. Call GE Appliances at 877.959.8688 for a replacement.

4. LEAK CHECK

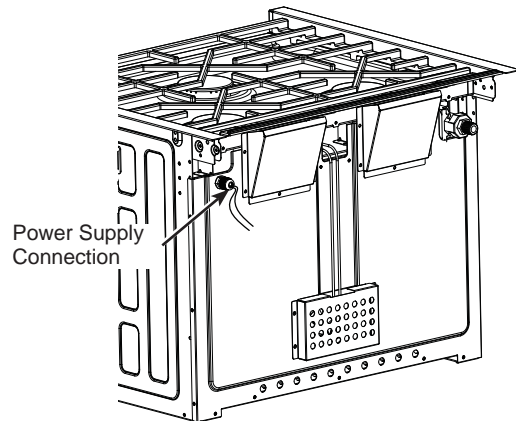
- Make sure all control knobs are in the OFF position.
- Apply a gas leak detection liquid to the connections. Any gas leaks will be indicated by bubbles.
- If a gas leak is detected, tighten the loose joint, or replace the faulty part with a replacement part recommended by a GE Appliances authorized retailer.

5. ELECTRICAL CONNECTION

⚠ CAUTION PRODUCT DAMAGE HAZARD

- Connect to 12V DC service only.
- Connect only to protected circuit fused for not more than 15 Amps.

The power supply wires are located at the top left corner of the rear of the appliance.



Connect a positive 12V power supply wire to the appliance black 12V wire and a negative 12V power supply wire to the appliance white 12V wire. Maximum current draw is less than 1 amp.

NOTE: Ensure to connect the wires with the correct polarity. Black is "+" and White is "-". Ensure electrical connections are properly secured.

Ensure electrical supply lines are disconnected, or power removed at the main fuse or circuit breaker panel, before servicing the appliance.

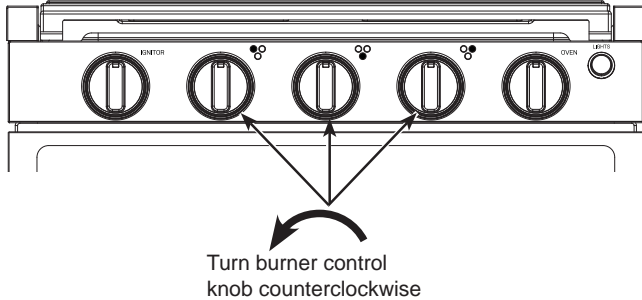
Installation Instructions

6. REPLACE COOKTOP

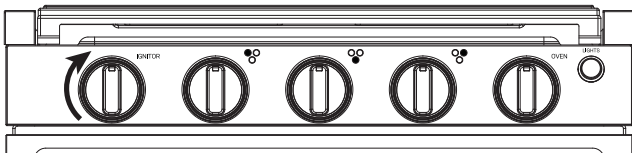
Place the cooktop back into position and attach with the 4 screws, removed in Step 1, using a Phillips screwdriver.

7. TEST COOKTOP BURNERS

- Push and turn the appropriate burner control knob counterclockwise to the HI position.




- Turn the ignition knob clockwise continuously until the burner is lit.

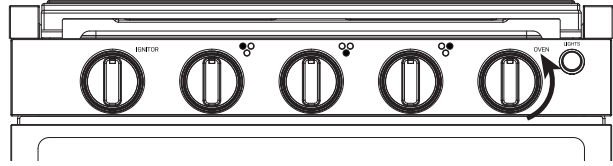


If air is in the supply line, it may take up to a minute for the air to purge and the burner to light.

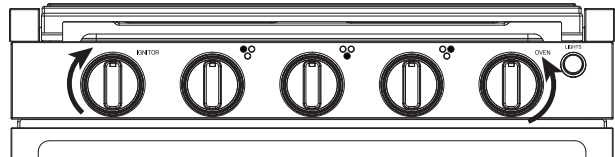
- The flame may burn yellow for a few seconds, then it should turn blue. If the burner continues to burn mostly or completely yellow, see “Troubleshooting” or contact a qualified service technician.
- Rotate the burner control knob to LO. Make sure that the flame completely surrounds the burner. There should be a flame at the burner ports and no air gap between the flame and the burner. If the burner does not meet this criteria, see “Troubleshooting” or contact a qualified service technician.
- Repeat these steps to test each burner.

8. TEST OVEN BURNER

- Pull the oven handle to open the door.
- Push and turn the oven control knob counterclockwise to the  position.



- Keep the oven control knob pressed and rotate the ignition knob clockwise continuously until the oven pilot is lit. The oven pilot is located at the rear right of the bake burner and is visible from the front of the oven. If air is in the supply line, it may take over a minute for the air to purge and the oven pilot to light.



- Once the oven pilot is lit, keep the oven control knob pressed for at least 15 seconds until the oven pilot sensor becomes heated.
- Release oven control knob and visually confirm oven pilot remains lit. If oven pilot goes out, repeat bullets 3 and 4.
- Rotate the oven control knob to each temperature and inspect the burner flame. If the flame is completely or mostly yellow, see “Troubleshooting” or contact a qualified service technician.

9. FLAME QUALITY

The burner flames for the cooktop and bake burners should be blue with yellow tips. Long, bright yellow flames are not normal. Normal flames may show signs of an orange tint when well heated or signs of flickering orange due to particles in the gas or air.



Troubleshooting Tips ... Before you call for service

Problem	Possible Cause/Solution
Surface burners do not light or do not light fully.	Ensure any gas supply valves and propane tank valve are opened.
	Ensure knob is pressed and set to the HI position while the ignition knob is turned.
	Gas pressure is either too low or too high.
	Burner ports or igniter are dirty. Refer to "Burner Heads" in the Care and Cleaning section.
Bake burner does not light.	Ensure gas supply valves and propane tank valve are opened.
	Ensure oven control knob is pressed and set to the (flame) position while the ignition knob is turned. Turn the ignition knob until the pilot is lit. Keep the oven control knob pressed for a least 15 seconds to allow time for the oven pilot to light and for the pilot sensor to become heated. If air is in the gas line, this process may take over a minute.
	Gas pressure is either too low or too high.
Flames are completely or mostly yellow or orange.	Normal flames may show signs of an orange tint when well heated or signs of flickering orange due to dust particles in the gas or air.
	Gas pressure is too low.
	Burner ports are dirty. Refer to "Burner Heads" in the Care and Cleaning section.
Knob backlighting does not turn on when light button is pressed.	Ensure unit is connected to 12VDC. See "Electrical Connection" in the Installation Instructions.
	LED board or switch needs to be replaced. Contact GE Appliances for service.
Oven light does not turn on when light button is pressed.	Ensure unit is connected to 12VDC. Refer to "Electrical Connection" in the Installation Instructions.
	Oven bulb needs to be replaced. Refer to "Oven Light" in the Care and Cleaning section.

Limited Warranty

LIMITED WARRANTY

To schedule service call **866.835.0179**.

Have serial number and model number available when calling for service.

For The Period Of:	GE Appliances Will Replace:
Two Years From the date of the original purchase	Any part of the RV range oven which fails due to a defect in materials or workmanship. During this limited two-year warranty , GE Appliances will also cover all labor and related service to replace the defective part.

What GE Appliances Will Not Cover:

- Improper installation, delivery or maintenance. If you have an installation problem, contact your dealer or installer. You are responsible for providing adequate electrical connecting facilities.
- Failure of the product resulting from modifications to the product or due to unreasonable use including failure to provide reasonable and necessary maintenance.
- Labor necessary to move the unit to a location where it is accessible for service by an individual technician.
- Replacement of RV fuses or resetting of circuit breakers.
- Damage to the product caused by improper power supply voltage, accident, fire, floods or acts of God.
- Damage caused after delivery.
- In-person product education.

EXCLUSION OF IMPLIED WARRANTIES—Your sole and exclusive remedy is product repair as provided in this Limited Warranty. Any implied warranties, including the implied warranties of merchantability or fitness for a particular purpose, are limited to two years or the shortest period allowed by law.

This limited warranty is extended to the original purchaser and any succeeding owner for personal recreational vehicle or similar use within the USA and Canada. If the product is located in an area where service by an authorized RV servicer is not available, you may be required to bring the product to an authorized GEA service location for service.

Some states do not allow the exclusion or limitation of incidental or consequential damages. This limited warranty gives you specific legal rights, and you may also have other rights which vary from state to state. To know what your legal rights are, consult your local or state consumer affairs office or your state's Attorney General.

Warrantor: GE Appliances, a Haier company
Louisville, KY 40225

Staple your receipt here. Proof of the original purchase date is needed to obtain service under the warranty.

Consumer Support

GE Appliances Website

Have a question or need assistance with your appliance? Try the GE Appliances Website 24 hours a day, any day of the year! You can also shop for more great GE Appliances products and take advantage of all our on-line support services designed for your convenience. In the US: **GEAppliances.com** In Canada: **GEAppliances.ca**

Register Your Appliance

Register your new appliance on-line at your convenience! Timely product registration will allow for enhanced communication and prompt service under the terms of your warranty, should the need arise. You may also mail in the pre-printed registration card included in the packing material.

In the US: **GEAppliances.com/register**

In Canada: **geappliances.ca/after-sales-support**

Schedule Service

Expert GE Appliances repair service is only one step away from your door. Get on-line and schedule your service at your convenience any day of the year. In the US: **GEAppliances.com/service** or call 800.432.2737 during normal business hours.

In Canada: **geappliances.ca/after-sales-support** or call 800.561.3344

Parts and Accessories

Individuals qualified to service their own appliances can have parts or accessories sent directly to their homes (VISA, MasterCard and Discover cards are accepted). Order on-line today 24 hours every day.

In the US: **GEApplianceparts.com** or by phone at 877.959.8688 during normal business hours.

Instructions contained in this manual cover procedures to be performed by any user. Other servicing generally should be referred to qualified service personnel. Caution must be exercised, since improper servicing may cause unsafe operation.

Customers in Canada should consult the yellow pages for the nearest authorized GE Appliances service parts distributor, visit our website at **geappliances.ca/parts-filters-accessories** or call 800.661.1616.

Contact Us

If you are not satisfied with the service you receive from GE Appliances, contact us on our Website with all the details including your phone number, or write to:

In the US: General Manager, Customer Relations | GE Appliances, Appliance Park | Louisville, KY 40225

GEAppliances.com/contact

In Canada: Director, Consumer Relations, MC Commercial Inc. | Suite 310, 1 Factory Lane | Moncton, N.B. E1C 9M3

GEAppliances.ca/contact-us

CUISINIÈRE

au gaz propane pour véhicules récréatifs (VR)

CONSIGNES DE SÉCURITÉ	3
UTILISATION DE LA CUISINIÈRE	
Table de cuisson.....	7
Four	8
Éclairage du four et des boutons de commande	9
Grilles du four	9
Papier d'aluminium et doublures de four...	9
Événements du four	9
Guide de cuisson au four	10
ENTRETIEN ET NETTOYAGE	
Surfaces de la table de cuisson.....	11
Surfaces extérieures	12
Surfaces intérieures	12
Éclairage du four	14
INSTRUCTIONS D'INSTALLATION	
Avant de commencer	15
Dimensions des découpes d'armoire et de comptoir	16
Dégagements pour l'installation	17
Emplacements des connexions de gaz et d'alimentation électrique.....	18
Installation de la cuisinière avec four.....	18
CONSEILS DE DÉPANNAGE	22
GARANTIE LIMITÉE	23
SOUTIEN	
AU CONSOMMATEUR	24

GUIDE D'UTILISATION ET INSTRUCTIONS D'INSTALLATION

PLD617
PLD621

FRANÇAIS

Inscrivez les numéros de modèle et
de série ici :

No de modèle _____

No de série _____

Vous trouverez l'étiquette
signalétique sous la table de
cuisson.

NOUS VOUS REMERCIONS D'INTÉGRER GE APPLIANCES À VOTRE VÉHICULE RÉCRÉATIF.

Que vous ayez grandi avec des électroménagers GE Appliances ou qu'il s'agisse de votre première acquisition, nous sommes heureux de vous accueillir dans notre famille.

Nous sommes fiers du savoir-faire, de l'innovation et du design qui constituent chaque électroménager GE, et nous pensons que vous le serez aussi. Nous vous rappelons que l'enregistrement de votre électroménager vous assure de recevoir des renseignements importants sur le produit et la garantie lorsque vous en avez besoin.

Enregistrez votre électroménager GE en ligne dès maintenant. Des sites Web et des numéros de téléphone utiles figurent dans la section Soutien au consommateur de ce manuel d'utilisation.



CONSIGNES DE SÉCURITÉ IMPORTANTES

LISEZ TOUTES LES INSTRUCTIONS AVANT D'UTILISER L'APPAREIL

⚠ AVERTISSEMENT Veuillez lire toutes les consignes de sécurité avant d'utiliser le produit. L'omission d'observer ces consignes peut poser un risque d'incendie, de choc électrique, des blessures graves ou mortelles.

⚠ AVERTISSEMENT L'omission d'observer intégralement les informations de ce manuel peut poser un risque d'incendie ou d'explosion pouvant causer des dommages à la propriété et des blessures graves ou mortelles.

- Abstenez-vous d'entreposer et d'utiliser de l'essence ou d'autres vapeurs ou liquides inflammables à proximité de cet électroménager ou de tout autre appareil.
- **QUE FAIRE SI VOUS SENTEZ UNE ODEUR DE GAZ**
 - N'allumez aucun appareil.
 - Ne touchez à aucun interrupteur électrique.
 - N'utilisez aucun téléphone dans votre véhicule récréatif.
 - Faites sortir tous les occupants du véhicule récréatif.
 - Fermez le ou les robinets des réservoirs de gaz ou celui de l'alimentation en gaz principale.
 - Appelez immédiatement votre fournisseur de gaz pour des directives.
 - Si vous ne pouvez pas joindre le fournisseur de gaz, appelez le service des incendies.
- Faites vérifier le système de gaz et réparer la source de la fuite par un personnel compétent en la matière : technicien, fournisseur de services, fabricant, concessionnaire ou fournisseur de gaz.

LISEZ ET CONSERVEZ CES INSTRUCTIONS

CONSIGNES DE SÉCURITÉ IMPORTANTES

LISEZ TOUTES LES INSTRUCTIONS AVANT D'UTILISER L'APPAREIL

▲ AVERTISSEMENT CONSIGNES DE SÉCURITÉ GÉNÉRALES

▲ AVERTISSEMENT **Empoisonnement au dioxyde de carbone:** N'utilisez JAMAIS cet électroménager comme appareil de chauffage pour réchauffer la pièce. Autrement cela pourrait occasionner un risque d'empoisonnement au monoxyde de carbone et de surchauffe du four. Une fenêtre ou une grille d'aération doit être légèrement ouverte pendant l'utilisation de cet appareil ménager. Les flammes de gaz consomment l'oxygène qui doit être remplacée pour assurer une combustion adéquate.

- Utilisez cet électroménager aux fins auxquelles il est fait mention dans ce manuel d'utilisation.
 - Faites installer votre cuisinière par un installateur qualifié en conformité avec les instructions d'installation fournies.
 - Tout réglage, entretien ou toute réparation doivent être effectués seulement par un installateur ou un technicien qualifiés en matière de cuisinière au gaz.
 - Ne tentez pas de réparer ou de remplacer une pièce de la cuisinière sauf si cela est spécifiquement recommandé dans ce manuel.
 - Votre cuisinière est configurée pour le gaz propane lorsqu'elle quitte l'usine. Elle ne peut pas être convertie pour un autre type de gaz.
 - Demandez à l'installateur de vous montrer l'emplacement du robinet d'arrêt du gaz de la cuisinière et comment le fermer en cas de besoin.
 - Assurez-vous que tout le matériel d'emballage est retiré de la cuisinière avant l'utilisation afin de prévenir l'inflammation de ce matériel.
 - Évitez de rayer ou de heurter les portes de verre, les tables de cuisson ou les panneaux de commande. Autrement cela pourrait mener au bris du verre. Ne cuisez pas d'aliments sur un produit qui présente du verre brisé. Un choc électrique, un incendie ou des coupures pourraient survenir.
 - Ne laissez pas d'enfants seuls ou sans surveillance dans la zone où l'électroménager est en cours d'utilisation. On ne devrait jamais leur permettre de grimper, s'asseoir ou se tenir sur quelque partie de l'électroménager que ce soit.
- **▲ ATTENTION** Ne rangez pas des articles qui attirent les enfants dans des armoires au-dessus d'une cuisinière, un enfant qui grimpe sur la cuisinière pour atteindre un article peut se blesser gravement.
 - N'obstruez jamais les événements (orifices d'air) de la cuisinière. Ils procurent les entrées et les sorties d'air qui sont nécessaires au bon fonctionnement du four grâce à une combustion adéquate. Les orifices d'air sont situés à l'arrière de la table de cuisson, dans le haut et le bas de la porte du four, et dans le bas de la cuisinière.
 - Utilisez uniquement des mitaines de four sèches, le contact de mitaines humides ou mouillées sur des surfaces très chaudes peut causer des brûlures par la vapeur. Ne laissez pas les mitaines toucher les brûleurs, la grille des brûleurs ou l'élément chauffant du four. N'utilisez pas une serviette ou un autre linge volumineux à la place de mitaines de four.
 - Ne touchez pas aux éléments chauffants ou à la surface intérieure du four. Ces surfaces peuvent s'avérer suffisamment chaudes pour brûler même si elles sont d'une couleur foncée. Pendant et après l'utilisation, ne touchez pas à l'intérieur du four et ne laissez pas des vêtements ou d'autres matières inflammables entrer en contact avec celui-ci; laissez d'abord le four se refroidir suffisamment. D'autres surfaces de l'électroménager peuvent devenir suffisamment chaudes pour causer des brûlures. Parmi les surfaces pouvant devenir très chaudes, mentionnons les brûleurs, la grille des brûleurs, les événements du four, les surfaces près des ouvertures et les interstices autour de la porte du four.
 - Ne chauffez pas des contenants d'aliments non ouverts. La pression accumulée peut faire éclater le contenant et causer des blessures.
 - Cuisez les aliments à fond pour vous prémunir contre les maladies d'origine alimentaire. On peut trouver des recommandations de températures minimales sécuritaires pour la cuisson des aliments sur les sites IsItDoneYet.gov et fsis.usda.gov. Utilisez un thermomètre pour aliments et vérifiez à plusieurs endroits.
 - Ne laissez personne grimper, se tenir ou s'agripper sur la porte du four, le tiroir ou la table de cuisson. La personne pourrait endommager la cuisinière, ou la faire basculer et s'infliger des blessures.

LISEZ ET CONSERVEZ CES INSTRUCTIONS

CONSIGNES DE SÉCURITÉ IMPORTANTES

LISEZ TOUTES LES INSTRUCTIONS AVANT D'UTILISER L'APPAREIL

▲ AVERTISSEMENT

GARDEZ LES MATIÈRES INFLAMMABLES À DISTANCE DE LA CUISINIÈRE

L'omission de prendre cette précaution peut causer un incendie ou une blessure corporelle.

- Abstenez-vous de ranger ou d'utiliser des matières inflammables dans un four ou près de la table de cuisson, y compris le papier, le plastique, les mitaines de four, le linge de maison, les revêtements muraux, les rideaux, les draperies, l'essence ou d'autres vapeurs ou liquides inflammables.
- Ne portez jamais de vêtements amples ou pendants lorsque vous utilisez l'électroménager. Ces vêtements peuvent prendre feu au contact de surfaces chaudes et causer des brûlures graves.
- Ne laissez pas la graisse de cuisson ou d'autres matières inflammables s'accumuler dans ou à proximité de la cuisinière. La graisse dans le four ou sur la table de cuisson peut prendre feu.

▲ AVERTISSEMENT

DANS L'ÉVENTUALITÉ D'UN INCENDIE, PRENEZ LES MESURES SUIVANTES AFIN DE PRÉVENIR LES BLESSURES ET LA PROPAGATION DU FEU

- Ne versez pas d'eau sur un feu de graisse. Ne prenez jamais une casserole en flammes. Éteignez les commandes (Off). Éteignez une casserole en flammes sur un brûleur de surface en la recouvrant complètement avec un couvercle bien ajusté, une tôle à biscuits ou un plateau plat. Utilisez un extincteur à poudre sèche ou à mousse polyvalent.
- Si un feu se déclare dans le four pendant la cuisson, étouffez-le en fermant la porte du four et en éteignant le four (OFF), ou en utilisant un extincteur à poudre sèche ou à mousse.

▲ AVERTISSEMENT

CONSIGNES DE SÉCURITÉ RELATIVES À LA TABLE DE CUISSON

- Ne laissez jamais les brûleurs de surface sans surveillance. Les aliments, en particulier s'ils sont huileux, peuvent s'enflammer et propager le feu dans les armoires environnantes.
- Ne laissez jamais l'huile sans surveillance lors d'une friture. De l'huile chauffée au-delà du point de fumée peut s'enflammer et propager le feu dans les armoires environnantes. Dans la mesure du possible, utilisez un thermomètre à graisse long pour mesurer la température de l'huile.
- Afin d'éviter les débordements d'huile qui prennent feu, utilisez une quantité minimale d'huile si la casserole est peu profonde et évitez de cuire des aliments congelés qui contiennent une quantité de glace excessive.
- Utilisez une casserole de taille appropriée et évitez les casseroles instables ou qui basculent facilement. Choisissez des récipients qui correspondent à la taille du brûleur. Les flammes du brûleur doivent être réglées de façon qu'elles ne s'étendent pas au-delà du fond de la casserole. Des flammes excessives peuvent constituer un danger.
- Utilisez toujours la position HI (haut) lorsque vous allumez les brûleurs du dessus et assurez-vous qu'ils se sont vraiment allumés.
- Si vous utilisez une batterie de cuisine en verre ou céramique, assurez-vous qu'elle convient à un usage sur table de cuisson; certaines peuvent casser à cause d'un changement de température soudain.
- Pour réduire la probabilité de brûlures, de débordements et d'embrasement de matières inflammables, la poignée du récipient doit être tournée vers le centre de la cuisinière sans la placer au-dessus des brûleurs environnants.
- N'utilisez pas un wok. Autrement cela pourrait emprisonner la chaleur et bloquer l'air au brûleur d'où un risque d'empoisonnement au monoxyde de carbone.
- N'utilisez pas de papier aluminium pour recouvrir la grille des brûleurs ou doubler une partie quelconque de la table de cuisson. Autrement cela pourrait occasionner un empoisonnement au monoxyde de carbone, une surchauffe des surfaces de la table de cuisson ou un risque d'incendie.

LISEZ ET CONSERVEZ CES INSTRUCTIONS

CONSIGNES DE SÉCURITÉ IMPORTANTES

LISEZ TOUTES LES INSTRUCTIONS AVANT D'UTILISER L'APPAREIL

▲ AVERTISSEMENT CONSIGNES DE SÉCURITÉ RELATIVES AU FOUR

▲ AVERTISSEMENT Ne recouvrez **JAMAIS** une fente, des trous ou des voies dans le bas du four, ou une grille entière avec un matériel tel que du papier d'aluminium ou des doublures de four. Autrement cela empêchera l'air de circuler à travers le four et posera un risque d'empoisonnement au monoxyde de carbone. Ne placez jamais du papier d'aluminium ou des doublures de four dans le fond du four. Cela peut emprisonner la chaleur et poser un risque d'enfumage ou d'incendie

- Tenez-vous à l'écart de la cuisinière lorsque vous ouvrez la porte du four. La vapeur ou l'air chauds qui s'échappent peuvent brûler les mains, la figure et/ou les yeux.
- Ne placez jamais des ustensiles de cuisson, des pierres à pizza ou de cuisson, ni tout type de papier ou de doublure sur une surface autre que les grilles. Ces articles peuvent emprisonner la chaleur ou fondre, endommageant le produit et causant un risque de décharge électrique, d'enfumage ou d'incendie.
- Le four doit être refroidi avant de placer les grilles du four aux emplacements désirés. Si une grille doit être déplacée alors que le four est chaud, veillez à ne pas toucher les surfaces chaudes.
- Ne laissez des articles tels que du papier, des ustensiles de cuisson ou des aliments dans le four lorsqu'il n'est pas utilisé. Les articles rangés dans le four peuvent s'enflammer.
- Ne laissez pas d'articles sur la table de cuisson près d'un évier de four. Ces articles peuvent surchauffer d'où un risque d'incendie ou de brûlures.

▲ AVERTISSEMENT RISQUE D'INCENDIE OU D'EXPLOSION

L'omission d'observer intégralement les informations de ce manuel peut poser un risque d'incendie ou d'explosion pouvant causer des dommages à la propriété et des blessures graves ou mortelles.

Toute réparation doit être effectuée par un installateur qualifié.

Veuillez lire ces instructions attentivement et en totalité.

L'installation de cet électroménager doit satisfaire les codes nationaux et locaux ou, en l'absence de tels codes :

Aux États-Unis : La norme ANSI/NFPA 1192 relative aux véhicules récréatifs.

Au Canada : La norme CAN/CSA Z-240.4.2-08, Exigences relatives à l'installation des appareils et de l'appareillage au propane dans les véhicules de camping.

La conception de cette cuisinière a été certifiée par CSA International conformément à la norme ANSI Z21.57, dernière édition, et CAN1-1.16-M79, dernière édition.

Lors de l'installation d'un électroménager au gaz, l'utilisation de vieux raccords flexibles peut causer des fuites de gaz et des blessures corporelles. Utilisez toujours un raccord flexible NEUF.

Les tests d'étanchéité de l'électroménager doivent être exécutés selon les instructions du fabricant.

Si une source électrique extérieure est utilisée, l'électroménager, une fois installé, doit être mis à la terre conformément aux codes provinciaux et locaux ou, en l'absence de tels codes, au Code national de l'électricité.

N'installez pas ce produit avec une hotte à rideau d'air ou une autre hotte qui fonctionne en soufflant de l'air sur la table de cuisson. Cette projection d'air peut gêner le fonctionnement des brûleurs au gaz et poser un risque d'incendie ou d'explosion.

MISE AU REBUT ADÉQUATE DE VOTRE ÉLECTROMÉNAGER

Recyclez ou mettez votre électroménager au rebut conformément aux réglementations fédérales et locales. Communiquez avec les autorités locales compétentes pour la mise au rebut écologique de votre électroménager.

LISEZ ET CONSERVEZ CES INSTRUCTIONS

Table de cuisson

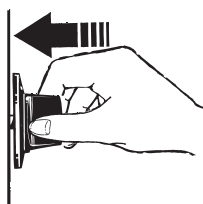
Avant l'allumage, vérifiez que tous les boutons de commande sont dans la position d'arrêt (OFF). Assurez-vous que le robinet de gaz principal est ouvert.

- Ne faites pas fonctionner le brûleur durant une longue période sans récipient de cuisson sur la grille du brûleur. Le fini de la grille peut se décolorer ou s'écailler sans récipient pour absorber la chaleur.
- Le récipient de cuisson doit être placé au-dessus des grilles des brûleurs et ne pas dépasser la garniture latérale ou le dessus du comptoir.
- Assurez-vous que les brûleurs et les grilles sont refroidis avant d'y placer votre main, une mitaine de four ou des agents nettoyants.

Allumage de la table de cuisson

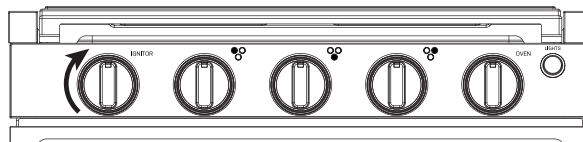
AVERTISSEMENT Il faut utiliser les brûleurs uniquement lorsqu'ils sont recouverts d'un récipient de cuisson. Les flammes de brûleur non recouvertes par un récipient de cuisson présentent un risque d'incendie ou d'inflammation de vêtement. Ne laissez jamais les flammes dépasser des côtés du récipient. L'omission d'observer cette directive peut occasionner des blessures graves.

1. Poussez et tournez le bouton de commande du brûleur dans le sens contraire des aiguilles jusqu'à la position **HI** (haut).



Poussez le bouton de commande et tournez-le jusqu'à la position **HI**.

2. Tournez continuellement le bouton d'allumage dans le sens des aiguilles jusqu'à ce que le brûleur soit allumé.



3. Tournez le bouton de commande du brûleur pour régler le niveau de la flamme.
4. Répéter les étapes 1 à 3 pour allumer d'autres brûleurs si nécessaire.

Si un brûleur ne s'allume pas en moins de 5 secondes, tournez immédiatement le bouton de commande dans le sens des aiguilles jusqu'à la position **OFF**. Attendez au moins 5 minutes et répétez la procédure d'allumage. Si l'allumage échoue encore, utilisez un briquet à gaz ou une allumette pour allumer le brûleur. Reportez-vous à la section « Allumage manuel de la table de cuisson ».

Sélection de la taille de flamme

Regardez la flamme, et non le bouton, lorsque vous réglez la chaleur. Si vous désirez un chauffage rapide, la taille de la flamme doit correspondre à la taille du récipient de cuisson que vous utilisez. Des flammes plus grandes que le bas du récipient ne chaufferont pas plus rapidement et elles peuvent s'avérer dangereuses.

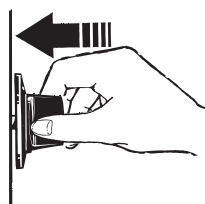


These flames are too large for the pot

Ces flammes sont trop grandes pour le récipient

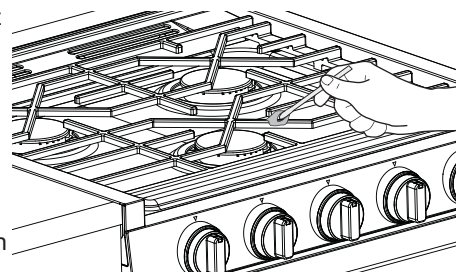
Si un brûleur de la table de cuisson n'arrive pas à s'allumer, vous pouvez l'allumer manuellement en suivant les étapes ci-dessous :

1. Poussez et tournez le bouton de commande du brûleur dans le sens contraire des aiguilles jusqu'à la position **HI** (haut).



Poussez le bouton de commande et tournez-le à la position **HI**.

2. Allumez et placez immédiatement une longue allumette en bois ou un briquet à gaz près du brûleur pour l'allumer.



3. Tournez le bouton de commande du brûleur pour régler le niveau de la flamme.
4. Répéter les étapes 1 à 3 pour allumer d'autres brûleurs si nécessaire.

Si la flamme s'éteint

Tournez immédiatement le bouton de commande jusqu'à la position d'arrêt (OFF). Attendez au moins 5 minutes et allumez le brûleur de nouveau.

Extinction de la table de cuisson

Pour éteindre les brûleurs de la table de cuisson, tournez les boutons de commande dans le sens des aiguilles jusqu'à la position **OFF**. Abstenez-vous de toucher ou placer tout objet sur les grilles des brûleurs avant que la table de cuisson ne se soit refroidie.

Table de cuisson

Usage des brûleurs de la table de cuisson

Utilisez le brûleur de devant pour les grands récipients et une ébullition plus rapide. Les brûleurs arrière sont prévus pour la cuisson générale et le mijotage.

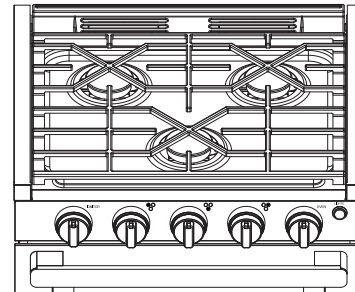
- Ne faites pas fonctionner le brûleur durant une longue période sans récipient de cuisson sur la grille du brûleur. Le fini de la grille peut se décolorer ou s'écailler sans récipient pour absorber la chaleur.
- Ne tentez pas de démonter un brûleur pendant qu'un autre brûleur est allumé. Vous risquez d'endommager le produit.

- Assurez-vous que les brûleurs et les grilles sont refroidis avant de placer votre main, une mitaine de four ou des agents nettoyants sur la table de cuisson.

Utilisez des ustensiles de cuisson adaptés aux flammes. Les brûleurs arrière sont conçus pour la cuisson et le mijotage générale. Utilisez le brûleur avant pour les grands ustensiles et pour bouillir rapidement. Couvrez vos ustensiles avec leur couvercle pour accélérer l'ébullition des liquides.

Orientation des grilles des brûleurs


L'orientation appropriée des grilles des brûleurs est illustrée ci-contre.

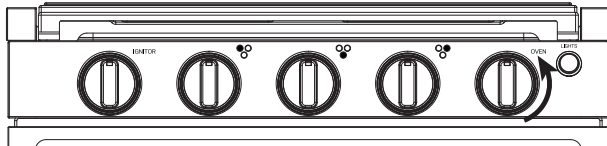


Four

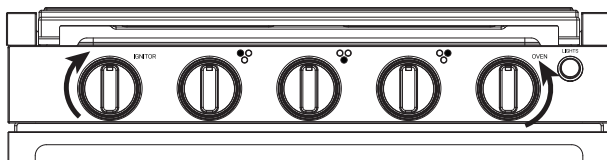
Allumage du four

REMARQUE : Avant l'allumage, assurez-vous que le robinet de gaz principal est ouvert.

1. Tirez la poignée du four pour ouvrir la porte.
2. Poussez et tournez le bouton de commande du four dans le sens contraire des aiguilles jusqu'à la position .

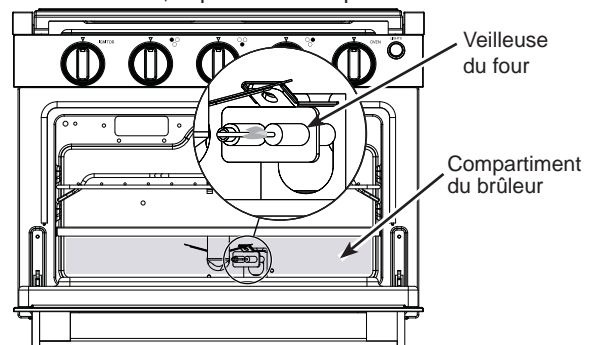


3. Maintenez la pression sur le bouton de commande du four et tournez continuellement le bouton d'allumage dans le sens des aiguilles jusqu'à ce que la veilleuse du four soit allumée. La veilleuse du four est située à l'arrière droite du brûleur de cuisson dans le compartiment du brûleur.



4. Une fois la veilleuse allumée, maintenez la pression sur le bouton de commande du four durant au moins 15 secondes jusqu'à ce que le capteur de la veilleuse soit réchauffé.

5. Relâchez le bouton de commande du four et confirmez visuellement que la veilleuse reste allumée. Si la veilleuse du four s'éteint, répétez les étapes 3 et 4.



6. Tournez le bouton de commande du four à la température la plus élevée et confirmez visuellement que la veilleuse a allumé le brûleur de cuisson.
7. Tournez le bouton de commande du four à la température désirée. Fermez la porte du four.

⚠ AVERTISSEMENT Dans l'éventualité d'une défaillance du système d'allumage, il devient impossible de faire fonctionner le four et il ne faut pas tenter de le faire. N'allumez pas le pilote du four manuellement.

⚠ AVERTISSEMENT Ne rangez pas d'objets dans le compartiment du brûleur.

Four

Si la flamme s'éteint

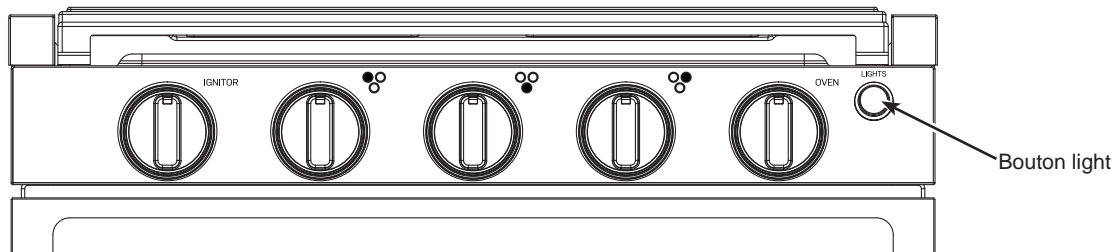
Tournez immédiatement le bouton de commande du four jusqu'à la position **OFF**. Attendez au moins 5 minutes avant de tenter de rallumer le brûleur du four.

Extinction du four

Pour éteindre le four, tournez son bouton de commande dans le sens des aiguilles jusqu'à la position **OFF**.

Éclairage du four et des boutons de commande

Pressez le bouton Light (éclairage) sur le panneau de commande pour activer ou désactiver l'éclairage du four et des boutons de commande. Toutes les lumières s'allument et s'éteignent ensemble.



Grilles du four

Lorsque vous placez ou retirez des récipients de cuisson, tirez la grille vers vous jusqu'à la bosse (position d'arrêt) sur le support de grille. Pour retirer une grille, soulevez l'arrière de la grille au-dessus des supports de grille, tirez la grille vers vous jusqu'à la libérer. Pour réinstaller une grille, placez l'arrière de la grille sur le support de grille puis poussez-la vers l'arrière du four jusqu'à ce qu'elle s'insère en place.

Papier d'aluminium et doublures de four

ATTENTION Abstenez-vous d'utiliser tout type de papier d'aluminium ou de doublure pour recouvrir une surface quelconque du four, à l'exception des grilles. Ces articles peuvent emprisonner la chaleur ou fondre, endommageant le produit et causant un risque de décharge électrique, d'enfumage ou d'incendie. Les dommages résultant de l'usage inapproprié de ces articles ne sont pas couverts par la garantie du produit.

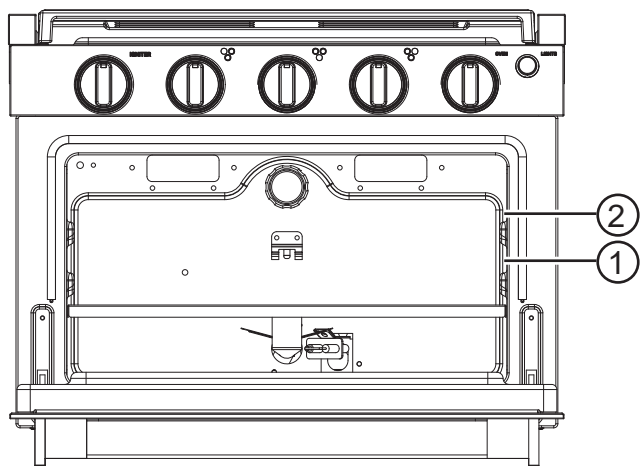
N'utilisez pas plus de papier d'aluminium que nécessaire et ne recouvrez jamais la totalité d'une grille avec le papier. Laissez une distance d'au moins 1½ po (3,8 cm) entre le papier et les parois du four pour permettre une bonne distribution de chaleur.

Événements du four

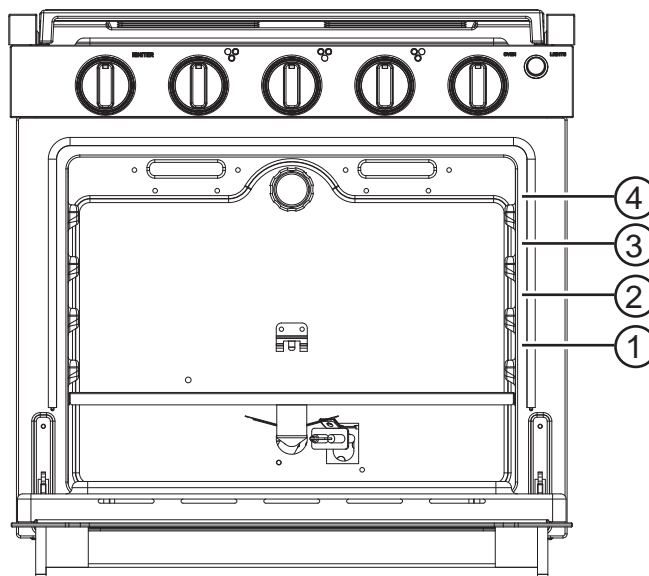
N'obstruez jamais les événements (orifices d'air) de la cuisinière. Ils procurent l'entrée et la sortie d'air nécessaires pour refroidir la cuisinière et procurer la combustion nécessaire au bon fonctionnement. Ne recouvrez jamais ces orifices avec du papier d'aluminium ou tout autre matériel. Les événements sont situés le long de l'arrière de la table de cuisson.

Guide de cuisson au four

Préchauffez le four durant 10 à 15 minutes avant d'insérer les aliments. Utilisez la position de grille 2 pour la cuisson standard. Ajustez la position au besoin. Évitez l'ouverture fréquente de la porte afin de conserver la chaleur à l'intérieur du four.



PLD617RT



PLD621RT

Ustensiles de cuisson pour le four

Le matériau, le fini et la dimension des ustensiles de cuisson ont une incidence sur les performances de cuisson. Les plaques foncées, les enduits et mates absorbent la chaleur plus rapidement que les plaques pâles ou luisantes. Les plaques absorbant la chaleur plus rapidement peuvent produire une croûte plus foncée, plus croustillante et plus épaisse. Si vous utilisez des ustensiles de cuisson avec un revêtement, assurez-vous de vérifier la cuisson avant la fin de la durée minimum de cuisson.

Surfaces de la table de cuisson

Assurez-vous que toutes les commandes sont fermées (OFF) et que toutes les surfaces sont refroidies avant de nettoyer une partie quelconque de la cuisinière.

Table de cuisson en émail vitrifié

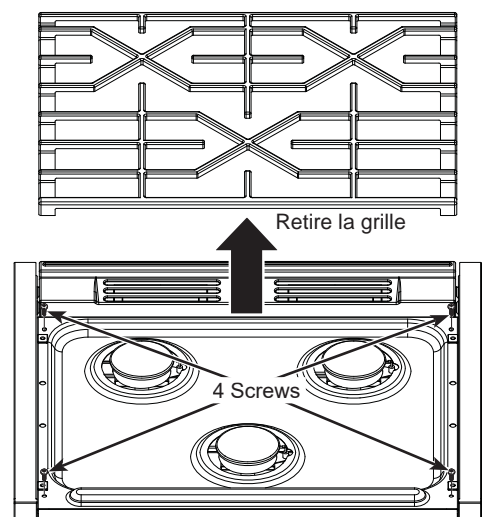
N'utilisez pas des nettoyeurs pour le four, des nettoyeurs abrasifs, des nettoyeurs liquides corrosifs, de la laine d'acier, des tampons à récurer en plastique ou des poudres de nettoyage sur la surface de la table de cuisson. Nettoyez à l'aide d'une solution savonneuse douce ou d'une solution 50/50 d'eau et de vinaigre. Rincez à l'eau claire et séchez avec un linge doux.

Assurez-vous que les surfaces sont à température ambiante lorsque vous les nettoyez. Les renversements de marinades, de jus de fruits, de sauce tomate et de liquides d'arrosage contenant des acides peuvent causer de la décoloration et doivent être essuyés dès que les surfaces chaudes se refroidissent, puis nettoyez et rincez. Veillez à ne pas renverser d'eau dans les ouvertures de la table de cuisson.

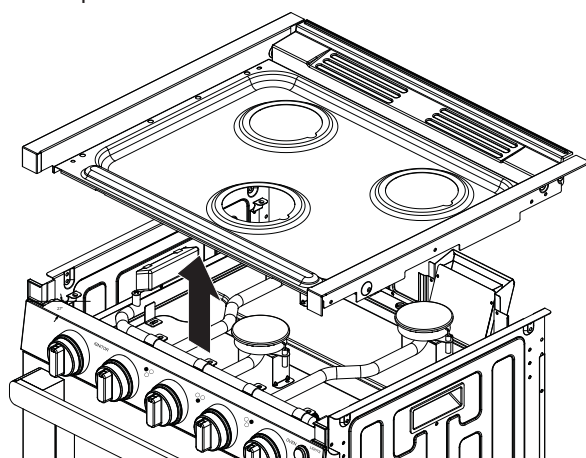
Retrait de la table de cuisson en cas de renversement

⚠ AVERTISSEMENT Prenez soin de ne pas endommager ou modifier la tuyauterie de gaz et le câblage électrique sous la table de cuisson. Autrement cela pourrait entraîner un risque d'incendie ou d'explosion.

1. Débranchez l'alimentation depuis le fusible ou le disjoncteur principal du panneau électrique avant de retirer la surface de cuisson.
2. Soulevez et retirez la grille des brûleurs de la table de cuisson.



3. Retirez les 4 vis sur la table de cuisson à l'aide d'un tournevis à pointe cruciforme, puis soulevez la table de cuisson pour la retirer.



4. Nettoyez avec un linge imbibé d'une solution d'eau savonneuse douce. Rincez à l'eau claire et séchez avec linge doux.
5. Remplacez la table de cuisson dans sa position initiale et réinstallez les 4 vis avec le même tournevis.

Chapeaux des brûleurs

Essuyez les chapeaux de brûleur avec une solution d'eau savonneuse chaude et rincez à l'eau claire. Vous pouvez récurer les particules alimentaires cuites avec un tampon en plastique.

Têtes des brûleurs

Essuyez les têtes de brûleur régulièrement, en particulier lors de débordements salissants qui pourraient obstruer les orifices. Essuyez avec un linge imbibé d'eau savonneuse chaude. Rincez à l'eau claire. Pour les taches récalcitrantes, utilisez une brosse à poils en plastique.

REMARQUE : N'utilisez pas de laine d'acier ou des tampons à récurer pour nettoyer les parties de brûleur car ils peuvent obstruer les orifices. Les orifices dans les têtes de brûleur doivent être propres en tout temps afin d'obtenir une flamme uniforme et sans obstructions. Des orifices ou des électrodes de brûleur obstrués ou sales empêchent le brûleur de fonctionner correctement.

Grille des brûleurs

La grille des brûleurs doit être lavée avec de l'eau savonneuse chaude et rincée à l'eau claire. Pour amollir les résidus alimentaires cuits, placez la grille, durant plusieurs heures, dans une solution qui contient 1/4 de tasse d'ammoniac. Frottez ensuite la grille avec un tampon à récurer en plastique trempé dans l'eau savonneuse chaude. Rincez à fond et séchez. N'utilisez PAS de javellisant ou d'antirouille sur la table de cuisson ou la grille des brûleurs.

Surfaces extérieures

Assurez-vous que toutes les commandes sont fermées (OFF) et que toutes les surfaces sont refroidies avant de nettoyer une partie quelconque de la cuisinière.

Boutons de commande

Les boutons de commande sont amovibles pour faciliter le nettoyage. Assurez-vous que les boutons sont dans la position d'arrêt (OFF) et tirez-les de leur arbre en ligne droite pour les nettoyer. Vous pouvez laver les boutons avec du savon et de l'eau. Assurez-vous de bien sécher l'intérieur des boutons avant de les replacer. Remplacez les boutons dans la position OFF pour assurer leur bonne orientation.

Garniture peinte de la table de cuisson

Nettoyez cette garniture avec de l'eau savonneuse ou une solution d'eau et de vinaigre. N'utilisez pas des nettoyeurs pour four du commerce, des nettoyeurs en poudre, de la laine d'acier ou des abrasifs durs sur une surface peinte.

Surfaces intérieures

Intérieur du four

N'utilisez pas des nettoyeurs pour le four, des nettoyeurs abrasifs, des nettoyeurs liquides corrosifs, de la laine d'acier, des tampons à récurer ou des poudres de nettoyage sur l'intérieur du four. Les renversements de marinades, de jus de fruits, de sauce tomate et de liquides d'arrosage contenant des acides peuvent causer de la décoloration et doivent être essuyés immédiatement. Laissez refroidir les surfaces chaudes, puis nettoyez et rincez. Nettoyez avec du savon doux et de l'eau, ou une solution d'eau et de vinaigre. Rincez à l'eau claire et séchez avec un linge doux. Assurez-vous que les surfaces sont à température ambiante lorsque vous les nettoyez. Ne frottez pas et ne nettoyez pas le joint d'étanchéité de la porte car il offre une très faible résistance à l'abrasion. Vous devez remplacer le joint d'étanchéité si vous observez qu'il est usé, effiloché ou autrement endommagé.

Surfaces en acier inoxydable

N'utilisez pas de tampon à récurer en acier car ils rayeront la surface. Pour nettoyer la surface en acier inoxydable, utilisez une eau tiède savonneuse ou un nettoyeur ou poli pour acier inoxydable. Frottez toujours la surface dans la direction du grain. Suivez les instructions du fabricant du nettoyeur pour acier inoxydable. Les nettoyeurs qui contiennent de l'acide oxalique tels que Bar Keepers Friend Soft Cleanser vont éliminer la rouille, le ternissement et les petites taches. Utilisez uniquement un nettoyeur liquide exempt d'abrasif et frottez dans la direction des lignes de brosse à l'aide d'une éponge douce et humide.

Grilles du four

Toutes les grilles doivent être lavées avec de l'eau savonneuse modérément chaude. Les grilles peuvent s'avérer difficiles à glisser avec le temps. Enduisez un linge doux ou une serviette en papier d'un peu d'huile végétale et frottez les bords latéraux. REMARQUE : D'autres types d'huiles de cuisson peuvent causer de la décoloration ou des résidus de couleur rouille sur les grilles et les parois de la cavité. Nettoyez ces résidus avec de l'eau savonneuse ou une solution d'eau et de vinaigre. Rincez à l'eau claire et séchez avec un linge doux.

Surfaces intérieures

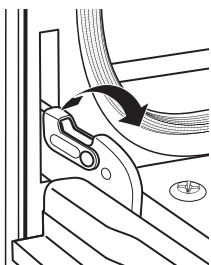
Porte du four

Porte intérieure et extérieure

Ne laissez pas l'eau excédentaire pénétrer dans les trous ou les fentes de la porte. Avec du savon à vaisselle, essuyez toute éclaboussure sur le verre. Utilisez une lame à rasoir sécuritaire à un seul côté coupant pour les éliminer. Essayez ensuite le verre à l'aide d'un linge savonneux pour retirer tout résidu puis séchez bien.

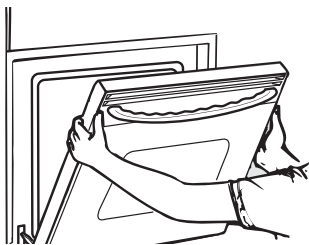
Pour retirer la porte :

1. Ouvrez la porte complètement.
2. Tirez les verrous des charnières vers le haut et à l'écart du châssis de la cuisinière, à la position de déverrouillage.



Pousser les verrous de charnière vers le haut pour déverrouiller

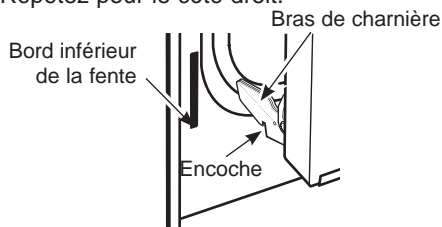
3. Agrippez fermement les deux côtés de la porte près du haut.
4. Fermez la porte jusqu'à ce que son dessus se trouve à environ 6 po (15 cm) du cadre de la cuisinière.
5. Soulevez la porte vers le haut et à l'écart de la cuisinière jusqu'à ce que les deux bras des charnières sortent des fentes du cadre



Position de retrait

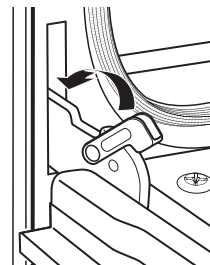
Pour replacer la porte :

1. Agrippez fermement les deux côtés de la porte près du haut.
2. Avec la porte dans le même angle que la position de retrait, placez l'encoche du dessous du bras de charnière gauche sur le bord inférieur de la fente de la charnière gauche. L'encoche doit être complètement insérée dans le bas de la fente. Répétez pour le côté droit.



L'encoche doit reposer sur le bord inférieur de la fente de charnière

3. Ouvrez la porte complètement. Si la porte ne s'ouvre pas complètement, c'est que les encoches dans le bas des bras de charnière ne reposent pas correctement sur le bord inférieur de la fente. Soulevez la porte pour la retirer de la cuisinière et répétez l'étape précédente.
4. Poussez les verrous de charnière vers la cavité du four et vers le bas jusqu'à la position de verrouillage.



Pousser les verrous de charnière vers le bas pour verrouiller

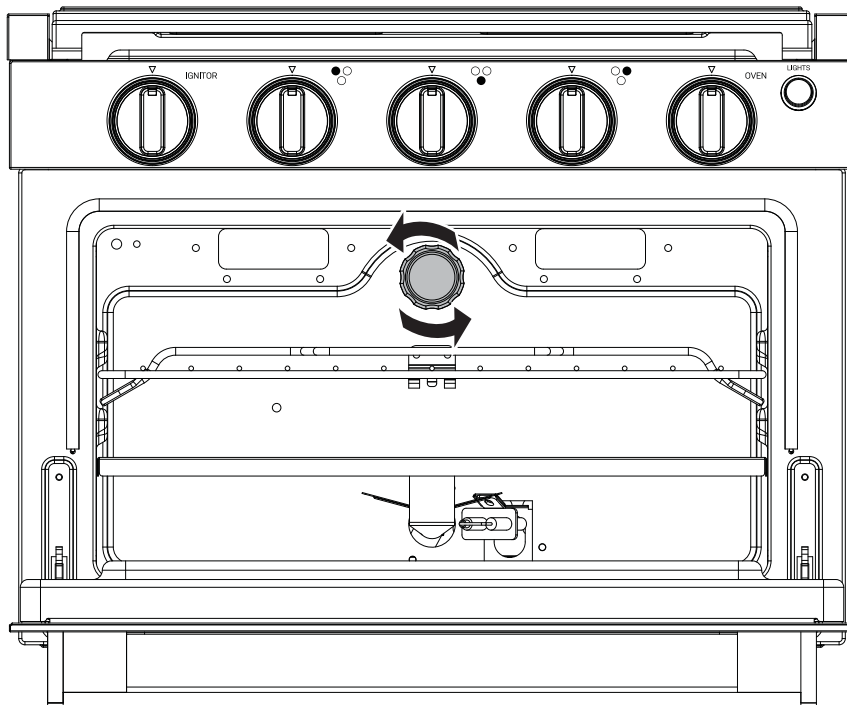
5. Fermez la porte du four.

Éclairage du four

⚠ ATTENTION **RISQUE DE BRÛLURE** : Attendez que le couvercle de verre et l'ampoule soient refroidis avant de les retirer. Toucher du verre chaud avec les mains nues ou un linge humide peut causer des brûlures.

Avant de replacer l'ampoule, coupez l'alimentation électrique du four. Laissez l'ampoule refroidir complètement avant de la retirer. Pour votre sécurité, ne touchez pas à une ampoule chaude avec un linge humide. L'ampoule pourrait éclater.

1. Débranchez l'alimentation électrique du four avant de changer l'ampoule.
2. Retirez le couvercle en verre du support d'ampoule en le dévissant dans le sens contraire des aiguilles.
3. Retirez l'ampoule et remplacez-la par une neuve qui résiste aux hautes températures (300 °C / 572 °F) et présente les caractéristiques suivantes : - Tension : 12 V - Puissance : 60 W - Culot : G4 - Type d'éclairage : Halogène
4. Remplacez le couvercle en verre en le vissant dans le sens des aiguilles.
5. Rétablissez l'alimentation électrique du four.



Instructions d'installation

Des questions? Visitez GEAppliances.com. Au Canada, visitez ElectromenagersGE.ca.

⚠ AVERTISSEMENT

Certains appareils de détection sont requis dans les véhicules récréatifs, selon la norme 1192 de la NFPA. L'équipement requis doit être approuvé pour l'usage intérieur des véhicules récréatifs par la UL. Installez et utilisez un tel équipement conformément aux instructions du fabricant.

Détecteur de fumée – Le chapitre 6.3.1 indique que tous les véhicules récréatifs doivent être équipés d'un détecteur de fumée.

Détecteur de fumée – Le chapitre 6.3.1 indique que tous les véhicules récréatifs doivent être équipés d'un détecteur de fumée.

Détecteur de gaz propane - Le chapitre 6.3.3 indique que tous les véhicules récréatifs doivent être équipés d'un détecteur de gaz propane.

AVANT DE COMMENCER

IMPORTANT — Conservez ces instructions à l'usage de l'inspecteur local.

IMPORTANT — Observez tous les codes et règlements en vigueur.

IMPORTANT — Retirez tout le matériel d'emballage et la documentation du four avant de raccorder les alimentations en électricité et en gaz sur la cuisinière.

IMPORTANT — Assurez-vous, auprès de votre entrepreneur ou votre fournisseur d'armoires, que les matériaux utilisés n'endommageront pas vos armoires par décoloration, délaminage ou autrement. La conception de ce four a été réalisée conformément aux exigences des organismes de certification CSA International relatives à une température maximale admissible de 194 °F (90 °C) pour les armoires en bois.

Note à l'installateur – Assurez-vous de laisser ces instructions au consommateur.

Note au consommateur - Conservez ces instructions pour référence ultérieure.

L'exactitude de l'installation est la responsabilité de l'installateur.

La garantie ne couvre pas les défauts du produit causés par une installation incorrecte.

QU'Y A-T-IL DANS LA BOÎTE?

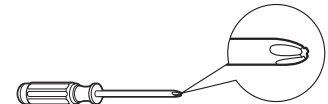
Assurez-vous d'avoir tous les articles suivants dans l'emballage. Si un article est endommagé ou manquant, contactez votre concessionnaire.

- Four de cuisinière x 1
- Grille de table de cuisson (grille des brûleurs) x 1
- Grille de cuisson (grille de four) x 1
- Vis à bois no 8-15 x 1 po x 4
- Manuel de l'utilisateur et instructions d'installation x 1

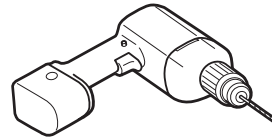
OUTILS DONT VOUS AUREZ BESOIN



Clé réglable (2)



Tournevis à pointe cruciforme



Perceuse électrique avec foret 1/8 po



Lunettes de protection



Gants

MATÉRIEL DONT VOUS AUREZ BESOIN

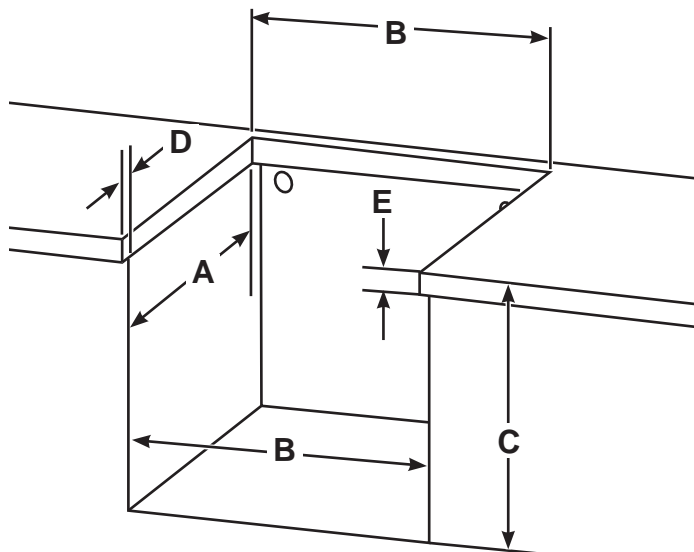
- Scellant à joints pour tuyaux, ou ruban à joints pour tuyaux approuvé UL avec Teflon* qui résiste à l'action des gaz naturel et propane
- Détecteur de fuite liquide ou eau savonneuse
- Tuyau d'alimentation en propane avec raccord évasé femelle 3/8 po

*Teflon : Marque déposée de DuPont

Instructions d'installation

DIMENSIONS DES DÉCOUPES D'ARMOIRE ET DE COMPTOIR

Assurez-vous que l'armoire et le comptoir satisfont les exigences du tableau avant d'installer le four de cuisinière.



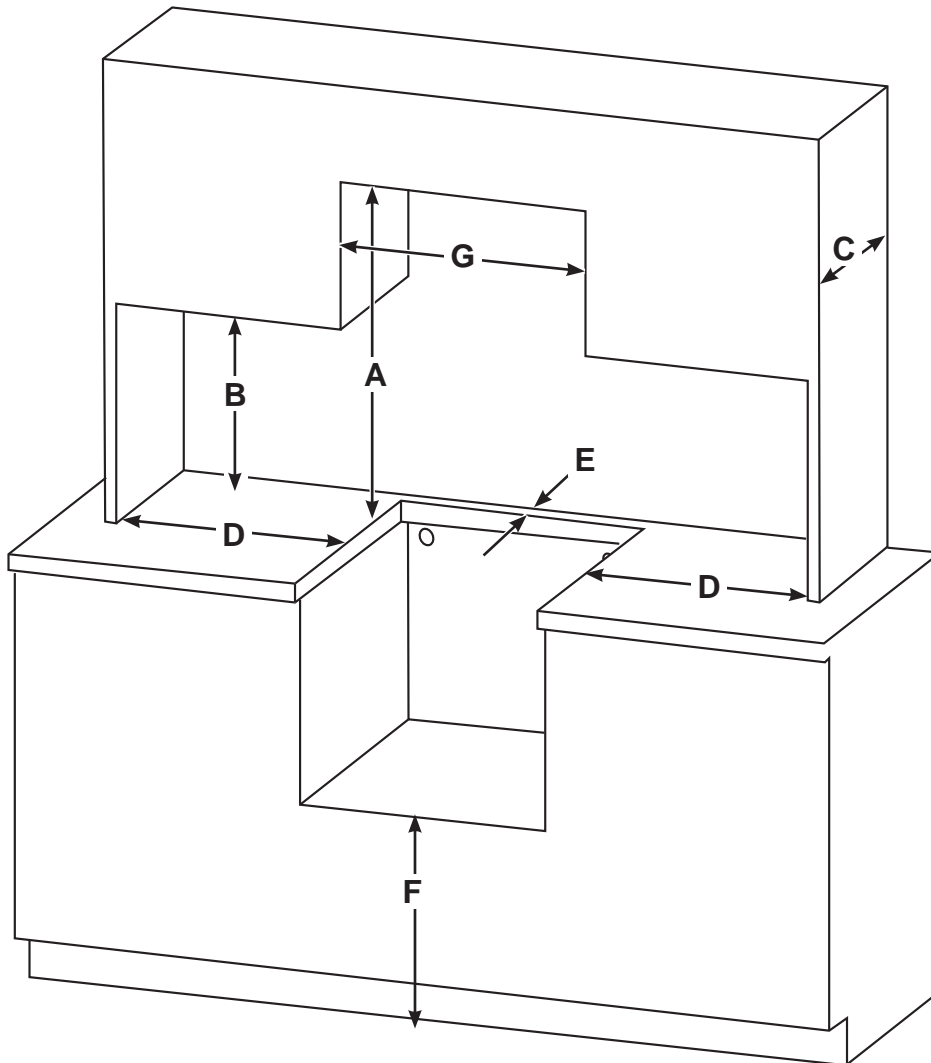
Modèle	A (prof.)	B (Larg.)	C (Haut.)	D (surplomb)	E (épais.)
PLD617RT	17,75 po	20,25 po	16,125 po min.	1 po max	1,625 po max
PLD621RT	17,75 po	20,25 po	20 po min.	1 po max	1,625 po max

REMARQUE : L'arrière et les côtés de la cuisinière sous le dessus du comptoir peuvent être à égalité avec les armoires. Le four doit être encadré ou sous cache afin de prévenir la création d'espace de rangement autour de la partie en retrait de l'appareil.

Instructions d'installation

DÉGAGEMENTS POUR L'INSTALLATION

Assurez-vous que l'armoire et le comptoir satisfont les exigences du tableau avant d'installer le four de cuisinière.



Modèles	A	B	C	D	E	F	G
Tous les modèles	30 po min.	18 po min.	13 po max	2 po min	2 po min	4 po min.	20,25 po min.

A : Laissez un dégagement vertical minimum de 30 po entre le dessus de comptoir et la construction au-dessus de l'appareil ménager. Pour d'autres espaces verticaux alternatifs, consultez la norme 1192 de la NFPA, le tableau 5.6.6.5 pour connaître les exigences de la hotte.

B : Laissez un dégagement vertical minimum de 18 po entre le dessus de comptoir et la construction combustible à la gauche et la droite de l'appareil.

C : La profondeur admissible maximale des armoires du dessus est de 13 po. Si la profondeur de l'armoire supérieure est de plus de 33 cm (13 po), consultez la norme 1192 de la NFPA, le tableau 5.6.6.5 pour connaître les exigences de la hotte.

D : Laissez un dégagement horizontal minimum de 2 po entre la découpe de l'appareil et la construction combustible qui s'étend de la surface de cuisson jusqu'à 18 po au-dessus.

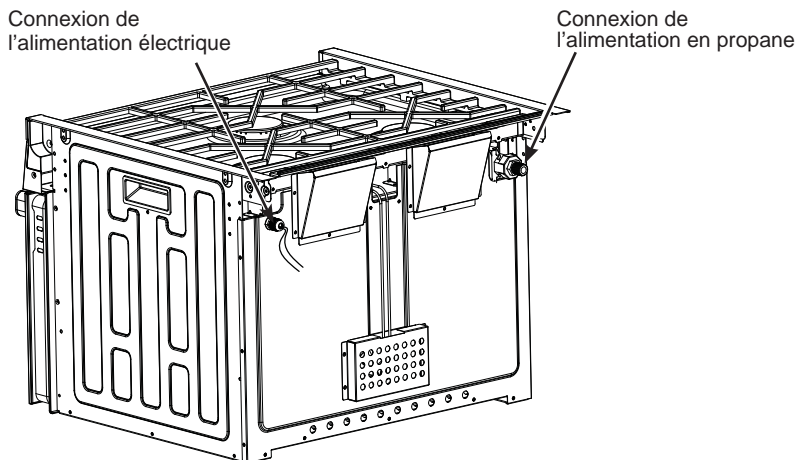
E : Laissez un dégagement minimal de 2 po entre la construction combustible adjacente et l'arrière de la découpe de l'appareil.

F : La distance verticale minimum entre le plancher et le bas de la découpe d'armoire est de 4 po.

G : La largeur du dégagement vertical A ne doit pas être inférieure à 20,25 po.

Instructions d'installation

EMPLACEMENTS DES CONNEXIONS DE GAZ ET D'ALIMENTATION ÉLECTRIQUE



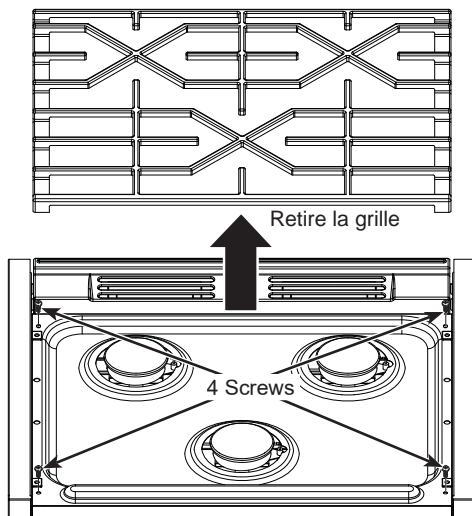
INSTALLATION DE LA CUISINIÈRE AVEC FOUR

REMARQUE : Avant de commencer l'installation, portez des gants et des lunettes de protection.

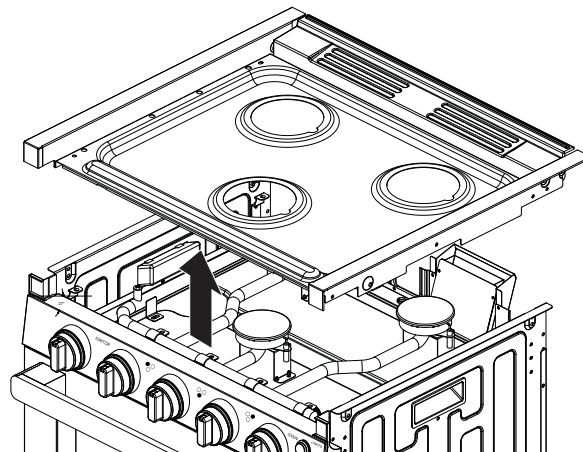
Avant de réaliser les étapes suivantes, l'enceinte doit être découpée aux dimensions prescrites et les alimentations électrique et en gaz doivent être en place.

1. PRÉPARATION DU FOUR

- Sortez le four de cuisinière de la boîte et placez-le sur une surface plate. Retirez le matériel d'emballage.
- Soulever la grille des brûleurs pour la retirer de la table de cuisson.



- Retirez le 4 vis de la table de cuisson à l'aide d'un tournevis à pointe cruciforme, puis soulevez la table pour la retirer. e.

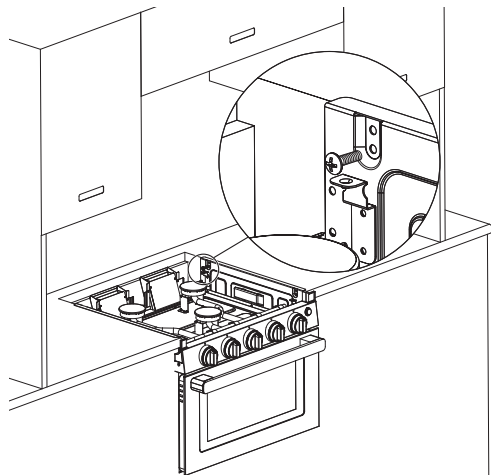


⚠ AVERTISSEMENT Prenez soin de ne pas endommager ni modifier la tuyauterie de gaz sous la table de cuisson. Autrement cela pourrait entraîner un risque d'incendie ou d'explosion.

- Soulevez la cuisinière par les poignées latérales et placez-la dans l'ouverture de l'enceinte. Glissez la cuisinière vers le fond jusqu'à ce que les rebords frontaux de sa cavité touchent la face des armoires.

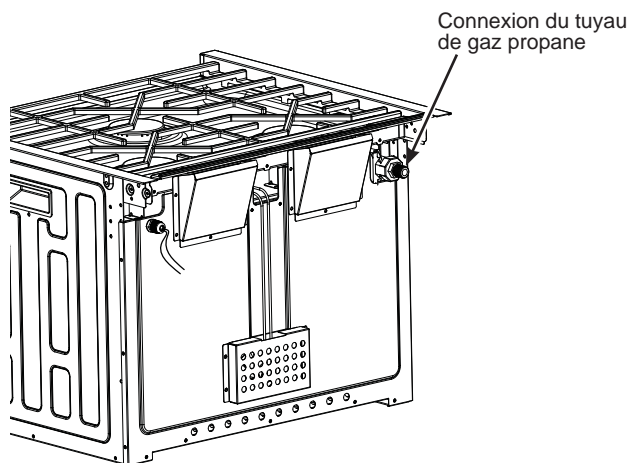
1. PRÉPARATION DU FOUR (suite)

- Fixez la cuisinière dans l'enceinte en installant quatre vis dans le comptoir. Installez 2 vis par côté en utilisant les positions de trous préférées en fonction de la construction du comptoir. Si le comptoir est composé de bois, percez des trous de guidage avec un foret 1/8 po. Installez les 4 vis fournies dans les trous pour fixer l'appareil.



2. ALIMENTATION EN GAZ (suite)

Utilisez un raccord conique femelle de 3/8 po pour connecter le tuyau de gaz propane sur le régulateur dans le coin arrière supérieur droit de l'appareil.



Serrez le tuyau de gaz sur le régulateur à l'aide de 2 clés.

IMPORTANT : Laissez suffisamment d'espace autour du tuyau de gaz en cas de courbement ou de dommages pendant l'installation. Assurez-vous que le tuyau de gaz ne peut pas toucher aux pièces mobiles après l'installation.

Lorsque vous utilisez une pression supérieure à 0,5 psi (3,5 kPa) pour tester le système d'alimentation en gaz du VR, déconnectez la cuisinière et le robinet d'arrêt individuel du tuyau de gaz. Lorsque vous utilisez une pression de 0,5 psi (3,5 kPa) ou inférieure pour tester le système d'alimentation en gaz du VR, isolez simplement la cuisinière du système d'alimentation en gaz en fermant le robinet d'arrêt individuel.

2. ALIMENTATION EN GAZ

⚠ AVERTISSEMENT Risque d'incendie : N'utilisez pas une flamme pour vérifier l'absence de fuites.

⚠ AVERTISSEMENT Risque d'explosion : Le couple de serrage ne doit pas excéder 25 pi-lb lors de la connexion du tuyau de gaz. Un serrage excessif peut fissurer le régulateur de pression et poser un risque d'incendie ou d'explosion.

⚠ AVERTISSEMENT Les fuites de gaz ne se détectent pas seulement à l'odeur. Les fournisseurs de gaz recommandent l'achat et l'installation d'un détecteur de gaz approuvé par l'UL. Installez et utilisez-le conformément aux instructions du fabricant.

Régulateur de pression de gaz

Vous devez utiliser le régulateur de pression de gaz propane fourni avec cette cuisinière. Pour un bon fonctionnement, la pression d'entrée au régulateur doit se mesurer comme suit :

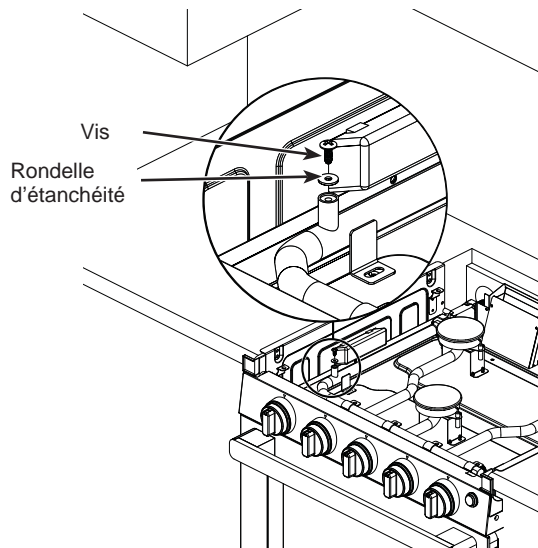
Pression minimale : 11 po de colonne d'eau

Pression maximale : 13,8 po de colonne d'eau

Instructions d'installation

3. VÉRIFICATION DE LA PRESSION

- Assurez-vous que le gaz propane à la cuisinière est bien fermé.
- Retirez la vis et la rondelle d'étanchéité de l'orifice de test de pression de la cuisinière.



- Glissez le tube en caoutchouc du manomètre de pression du gaz vers le bas sur l'orifice de test de pression. Le tube en caoutchouc doit être bien étanche autour de l'orifice de test.
- Ouvrez l'alimentation en gaz propane de la cuisinière.
- Le manomètre de pression du gaz doit mesurer entre 10 po C.E. et 13,8 po C.E.
- Fermez l'alimentation en gaz propane de la cuisinière.
- Retirez le tube en caoutchouc du manomètre de pression du gaz.
- Remplacez la rondelle d'étanchéité et la vis retirées plus tôt. Avant de replacer la vis, vérifiez que la rondelle d'étanchéité ne comporte aucun signe de détérioration.
- Vissez la vis à la main en prenant soin de ne pas endommager la rondelle d'étanchéité.

REMARQUE : Après le test de pression, assurez-vous de l'absence de fuites autour de la vis et de la rondelle d'étanchéité de l'orifice de test. Si une fuite est détectée autour de la vis et de la rondelle, vous devez les remplacer. Appelez GE Appliances au 877.959.8688 pour vous procurer ces pièces de rechange.

4. VÉRIFICATION DES FUITES

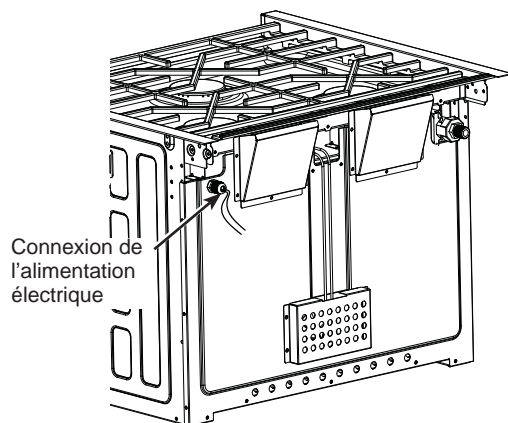
- Assurez-vous que tous les boutons de commande sont dans la position d'arrêt (OFF).
- Appliquez du liquide de détection des fuites de gaz sur les raccords. Toute fuite sera révélée par la présence de bulles.
- Si une fuite de gaz est détectée, serrez le joint lâche ou remplacez la pièce défectueuse par une pièce de rechange recommandée par un revendeur GE Appliances autorisé.

5. RACCORDEMENT ÉLECTRIQUE

⚠ ATTENTION RISQUE DE DOMMAGE AU PRODUIT

- Connectez-vous à une tension 12 VCC seulement.
- Connectez-vous seulement à un circuit dont la protection par fusible ne dépasse pas 15 ampères.

Le câblage électrique est situé dans le coin supérieur gauche de la face arrière de la cuisinière.



Connectez un fil d'alimentation électrique 12 V positif à un fil 12 V noir de la cuisinière, et un fil d'alimentation électrique 12 V négatif à un fil 12 V blanc de la cuisinière. L'appel de courant maximal est moins de 1 ampère.

REMARQUE : Assurez-vous de connecter des fils de bonne polarité. Noir est « + » et blanc est « - ». Assurez-vous que les connexions électriques sont correctement fixées.

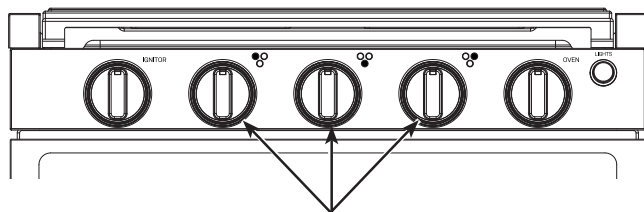
Assurez-vous que les cordons d'alimentation électrique sont débranchés ou que l'alimentation électrique est coupée depuis le fusible ou le disjoncteur principal de la boîte électrique avant de procéder à la réparation de l'appareil ménager.

6. REPLACER LA TABLE DE CUISSON

Remettez la table de cuisson dans sa position initiale et utilisez un tournevis à pointe cruciforme pour la fixer avec les 4 vis retirées à l'étape 1.

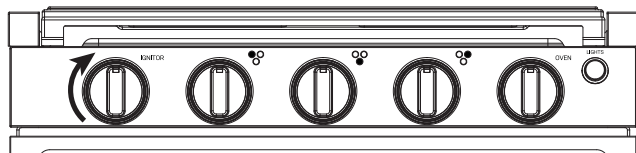
7. TESTEZ LES BRÛLEURS DE LA TABLE DE CUISSON

- Poussez et tournez le bouton de commande du brûleur approprié dans le sens contraire des aiguilles jusqu'à la position HI (haut).



Tourner le bouton de commande du brûleur dans le sens contraire des aiguilles


- Tournez continuellement le bouton d'allumage dans le sens des aiguilles jusqu'à ce que le brûleur soit allumé.

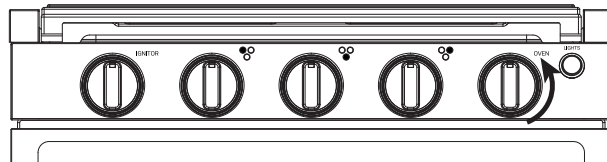


En cas de présence d'air dans le tuyau de gaz, il peut s'écouler jusqu'à une minute pour la purger et allumer le brûleur.

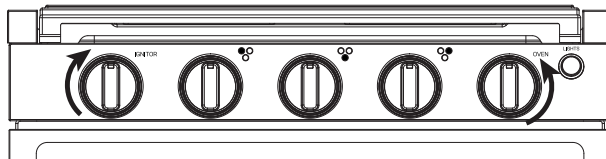
- La flamme peut apparaître jaune durant quelques secondes, puis elle devrait devenir bleue. Si le brûleur continue de générer une flamme principalement ou complètement jaune, voyez la section « Dépannage » ou contactez un technicien en réparation qualifié.
- Tournez le bouton de commande du brûleur jusqu'à LO (bas). Assurez-vous que la flamme entoure complètement le brûleur. Il doit y avoir une flamme aux orifices du brûleur et aucun espace d'air entre la flamme et le brûleur. Si le brûleur ne correspond pas à ce critère, voyez la section « Dépannage » ou contactez un technicien en réparation qualifié.
- Répétez ces étapes pour tester chaque brûleur.

8. TESTER LE BRÛLEUR DU FOUR

- Tirez la poignée du four pour ouvrir la porte.
- Poussez et tournez le bouton de commande du four dans le sens contraire des aiguilles jusqu'à la position .



- Maintenez une pression sur le bouton de commande du four et tournez le bouton d'allumage continuellement dans le sens des aiguilles jusqu'à ce que la veilleuse du four soit allumée. La veilleuse du four est située à l'arrière droite du brûleur de cuisson et elle est visible depuis le devant du four. En cas de présence d'air dans le tuyau de gaz, il peut s'écouler jusqu'à une minute pour la purger et allumer la veilleuse.



- Une fois la veilleuse allumée, maintenez une pression sur le bouton de commande du four durant au moins 15 secondes jusqu'à ce que le capteur de la veilleuse du four se réchauffe.
- Relâchez le bouton de commande du four et confirmez visuellement que la veilleuse reste allumée. Si la veilleuse du four s'éteint, répétez la 3e et 4e étape ci-dessus.
- Tournez le bouton de commande du four jusqu'à chaque température et inspectez la flamme du brûleur. Si la flamme est principalement ou complètement jaune, voyez la section « Dépannage » ou contactez un technicien en réparation qualifié.

9. QUALITÉ DE LA FLAMME

Les flammes des brûleurs de la table de cuisson et du four doivent être bleues avec des pointes jaunes. Des flammes vives et longues ne sont pas normales. Des flammes normales peuvent présenter des signes d'une teinte orange lorsqu'elles sont bien chauffées ou des signes d'un vacillement orange en raison de particules dans le gaz ou l'air.



Conseils de dépannage...Avant d'appeler un réparateur

Problème	Cause probable/Solution
Allumage absent ou incomplet des brûleurs de surface.	Assurez-vous que les robinets de gaz sont ouverts, y compris celui du réservoir de propane.
	Assurez-vous de presser le bouton de commande et de le tourner à la position HI tout en tournant le bouton d'allumage.
	La pression de gaz est soit trop basse, soit trop élevée.
	Les orifices du brûleur ou de la veilleuse sont trop encrassés. Voyez la rubrique « Têtes des brûleurs » dans la section Entretien et nettoyage.
Le brûleur du four ne s'allume pas.	Assurez-vous que les robinets de gaz sont ouverts, y compris celui du réservoir de propane.
	Assurez-vous de presser le bouton de commande et de le tourner à la bonne position (flammes) tout en tournant le bouton d'allumage. Tournez le bouton d'allumage jusqu'à ce que la veilleuse soit allumée. Maintenez la pression du bouton de commande du fourdurant au moins 15 secondes pour permettre à la veilleuse du four de s'allumer et au capteur de flammes de se réchauffer. Si le tuyau de gaz contient de l'air, le processus peut prendre plus d'une minute.
	La pression de gaz est soit trop basse, soit trop élevée.
Les flammes sont totalement ou principalement jaunes ou orange.	Des flammes normales peuvent présenter des signes d'une teinte orange lorsqu'elles sont bien chauffées ou des signes d'un vacillement orange en raison de particules de poussière dans le gaz ou l'air.
	La pression de gaz est trop basse.
	Les orifices du brûleur sont encrassés. Voyez la rubrique "Têtes des brûleurs" dans la section Entretien et nettoyage.
Je presse le bouton d'éclairage mais les boutons de commande ne s'illuminent pas.	Assurez-vous que la cuisinière est connectée à une alimentation électrique 12 VCC. Voyez la section « Raccordement électrique » dans les instructions d'installation.
	Le panneau d'éclairage DEL ou l'interrupteur doit être remplacé. Contactez GE Appliances pour une réparation.
Je presse le bouton d'éclairage mais l'éclairage du four ne fonctionne pas.	Assurez-vous que la cuisinière est connectée à une alimentation électrique 12 VCC. Voyez la section « Raccordement électrique » dans les instructions d'installation.
	Il faut remplacer l'ampoule du four. Voyez la rubrique « Éclairage du four » dans la section Entretien et nettoyage.

Garantie limitée

Pour programmer une visite de service, composez le 866.835.0179.

Ayez les numéros de série et de modèle à portée de la main au moment d'effectuer l'appel de service.

Durant la période de :	GE Appliances remplacera :
Deux ans À partir de la date d'achat initial	Toute pièce de la cuisinière pour VR qui s'avère défectueuse en raison d'un vice de fabrication ou de main-d'œuvre. Pendant cette garantie limitée de deux (2) ans , GE Appliances couvrira aussi tous les frais de main-d'œuvre et de service connexe encourus pour remplacer la pièce défectueuse.

Ce que GE Appliances ne garantit pas :

- Une installation, une livraison ou un entretien inadéquats. Si vous rencontrez un problème d'installation, contactez le revendeur ou l'installateur. Vous avez la responsabilité de fournir une installation adéquate pour le raccordement électrique.
- Une défectuosité du produit résultant d'une modification du produit ou d'une utilisation déraisonnable y compris de l'omission d'effectuer un entretien raisonnable et nécessaire.
- La main-d'œuvre nécessaire pour transporter l'appareil à un emplacement où il pourra être accessible aux fins de réparation ou d'entretien par un technicien.
- Le remplacement des fusibles du VR ou le réarmement des disjoncteurs.
- Tout dommage occasionné par une tension d'alimentation électrique inappropriée, un accident, un incendie, une inondation ou d'autres catastrophes naturelles.
- Les dommages survenus après la livraison.
- Formation en personne sur les produits.

EXCLUSION DES GARANTIES IMPLICITES — Votre seul et unique recours consiste dans la réparation du produit tel que stipulé dans la présente Garantie limitée. Toute garantie implicite, y compris les garanties implicites relatives à la qualité marchande ou à l'adéquation à un usage particulier, se limitera à une période de deux ans ou à la période la plus courte prescrite par la loi.

Cette garantie limitée est accordée au premier acheteur et à tout propriétaire successif d'un véhicule récréatif personnel ou d'un usage similaire aux États-Unis et au Canada. Si le produit est situé dans une région où un réparateur de VR autorisé n'est pas disponible, nous pourrions vous demander d'expédier le produit à un centre de service GE Appliances autorisé pour les réparations.

Certains États ou provinces ne permettent pas l'exclusion ou la restriction des dommages accessoires ou indirects. Certains droits particuliers vous sont dévolus en vertu de la présente garantie et peuvent s'accompagner d'autres droits qui varient selon votre lieu de résidence. Pour connaître la nature exacte de vos droits, consultez l'organisme de protection du consommateur de votre région, ou encore le bureau du procureur général de l'État.

Garant : GE Appliances, a Haier company
Louisville, KY 40225

GARANTIE LIMITÉE

Brochez votre reçu ici. Pour obtenir le service sous garantie, vous devez fournir la preuve de la date d'achat initial.

Soutien au consommateur

Site Web de GE Appliances

Vous avez une question ou vous avez besoin d'assistance concernant votre électroménager? Visitez le site Web de GE Appliances 24 heures par jour, tous les jours de l'année! Vous pouvez aussi y trouver d'autres formidables produits GE Appliances et tirer avantage de tous nos services d'assistance en ligne.

Aux États-Unis : GEAppliances.com Au Canada : ElectromenagersGE.ca

Enregistrez votre électroménager

Enregistrez votre nouvel électroménager en ligne au moment qui vous convient le mieux! L'enregistrement de votre produit dans les plus brefs délais permet une meilleure communication et un service rapide en vertu de votre garantie, le cas échéant. Vous pouvez également envoyer par courrier la carte d'enregistrement pré-imprimée qui se trouve dans l'emballage de votre appareil.

Aux États-Unis : GEAppliances.com/register

Au Canada : electromenagersge.ca/soutien-apres-vente

Programmez une visite de service

Un service de réparation expert GE Appliances se trouve à quelques pas de chez vous. Rendez-vous sur notre site et programmez, à votre convenance, une visite de service à n'importe quel jour de l'année.

Aux États-Unis : GEAppliances.com/service ou composez le 800.432.2737 pendant les heures normales de bureau.

Au Canada : electromenagersge.ca/soutien-apres-vente ou composez le 800.561.3344

Pièces et accessoires

Les personnes ayant les compétences requises pour réparer elles-mêmes leurs appareils peuvent recevoir directement à la maison des pièces ou accessoires (les cartes VISA, MasterCard et Discover sont acceptées). Commandez en ligne 24 heures par jour en tout temps. Aux États-Unis : GEApplianceparts.com ou par téléphone au 877.959.8688 durant les heures normales de bureau.

Les instructions contenues dans le présent manuel comportent des procédures que tout utilisateur peut effectuer. Les autres types de réparation ou d'entretien doivent généralement être confiés à un technicien qualifié. Usez de prudence : une réparation ou un entretien mal réalisés peuvent rendre l'utilisation de l'appareil dangereuse.

Les consommateurs du Canada doivent consulter les pages jaunes pour connaître le distributeur de pièces de rechange GE Appliances autorisé le plus près; ils peuvent aussi se procurer les pièces sur electromenagersge.ca/pièces-filtres-et-accessoires ou en composant le 800.661.1616.

Communiquez avec nous

Si vous n'êtes pas satisfait du service reçu de GE Appliances, contactez-nous via notre site Web avec tous les détails, y compris votre numéro de téléphone, ou encore écrivez à :

Aux États-Unis : General Manager, Customer Relations | GE Appliances, Appliance Park | Louisville, KY 40225
GEAppliances.com/contact

Au Canada : Directeur, Relations avec le consommateur, MC Commercial Inc. | Suite 310, 1 Factory Lane | Moncton, N.B. E1C 9M3

Electromenagersge.ca/contactez-nous



ESTUFA PARA VEHÍCULO RECREATIVO a Gas Propano

INFORMACIÓN DE SEGURIDAD . 3

USO DE LA ESTUFA

Placa de Cocción	7
Horno	8
Luces del Horno y de la Perilla de Control .	9
Parrillas del Horno	9
Papel de Aluminio y Revestimientos para Horno.	9
Ventilaciones del Horno	9
Guía de Cocción en Horno	10

CUIDADO Y LIMPIEZA

Superficies de la Placa de Cocción	11
Superficies Exteriores	12
Superficies Interiores.	12
Luz del Horno	14

INSTRUCCIONES DE INSTALACIÓN

Antes de Comenzar	15
Dimensiones de Espacios Libres del Gabinete y la Encimera	16
Espacios Libres de la Instalación.	17
Ubicaciones de la Instalación de Gas	18
Instalación del Horno.	18

CONSEJOS PARA SOLUCIONAR PROBLEMAS 22

GARANTÍA LIMITADA 23

SOPORTE AL CONSUMIDOR 24

**MANUAL
DEL PROPIETARIO E
INSTRUCCIONES DE
INSTALACIÓN**

PLD617
PLD621

ESPAÑOL

Escriba los números de modelo y de serie aquí:

Nº de Modelo _____

Nº de Serie _____

Usted podrá encontrar la etiqueta de especificaciones técnicas debajo de la placa de cocción.

GRACIAS POR HACER A GE APPLIANCES PARTE DE SU VEHÍCULO RECREATIVO

Ya sea que haya crecido con GE Appliances, o que ésta sea su primera vez, estamos felices de tenerlo en la familia.

Sentimos orgullo por la creación, innovación y diseño de cada producto de GE Appliances, y creemos que usted también. Entre otras cosas, el registro de su electrodoméstico nos asegura que podamos entregarle información importante del producto y detalles de la garantía cuando los necesite.

Registre su electrodoméstico GE Appliances a través de Internet ahora. Sitios Web útiles y números telefónicos están disponibles en la sección de Soporte al Consumidor de este Manual del Propietario.



INFORMACIÓN IMPORTANTE DE SEGURIDAD

LEA TODAS LAS INSTRUCCIONES ANTES DE USAR ESTE ELECTRODOMÉSTICO

▲ADVERTENCIA Lea todas las instrucciones antes de usar el producto. Si no se siguen estas instrucciones se podrán producir incendios, descargas eléctricas, lesiones graves o la muerte.

▲ADVERTENCIA Si la información de este manual no se sigue exactamente, se podrá producir un incendio o explosión, ocasionando daños sobre la propiedad, lesiones o la muerte.

- No guarde ni use gasolina u otros vapores inflamables y líquidos cerca de éste o de otros electrodomésticos.
- **QUÉ DEBE HACER SI HUELE GAS**
 - No intente encender ningún electrodoméstico.
 - No toque ningún interruptor eléctrico.
 - No use ningún teléfono en su vehículo recreativo.
 - Haga salir a todos los ocupantes del vehículo recreativo.
 - Cierre la válvula(s) del tanque de suministro de gas o el suministro principal de gas.
 - De forma inmediata, llame a su proveedor de gas para solicitar instrucciones.
 - Si no se puede comunicar con su proveedor de gas, llame al departamento de bomberos.
- Solicite que un instalador calificado, agencia de servicios, fabricante o comerciante o al proveedor de gas que controlen su sistema de gas y que se corrija la fuente de la pérdida.

LEA Y GUARDE ESTAS INSTRUCCIONES

INFORMACIÓN IMPORTANTE DE SEGURIDAD

LEA TODAS LAS INSTRUCCIONES ANTES DE USAR ESTE ELECTRODOMÉSTICO

▲ ADVERTENCIA INSTRUCCIONES GENERALES DE SEGURIDAD

▲ ADVERTENCIA **Envenenamiento con Monóxido de Carbono: NUNCA use este electrodoméstico para calefaccionar el ambiente. Como consecuencia de esto, se podrá producir envenenamiento con monóxido de carbono y el sobrecalentamiento del horno. Deberá haber una ventana o ventilación de aire abiertas levemente al usar este electrodoméstico. Las llamas de gas consumen oxígeno, el cual debe ser reemplazado para asegurar una combustión adecuada.**

- Use este electrodoméstico sólo para su propósito original, como se describe en el manual del propietario.
 - Solicite que un instalador calificado instale su estufa de acuerdo con las instrucciones de instalación provistas.
 - Cualquier ajuste y trabajo del servicio técnico deberá ser realizado únicamente por un instalador de estufas a gas calificado o por un técnico del servicio. No intente reparar o reemplazar ninguna parte de la estufa, a menos que esto se recomiende específicamente en este manual.
 - Su estufa es enviada de fábrica en la configuración para uso con gas propano. No se podrá convertir a ningún otro tipo de gas.
 - Solicite que el instalador le muestre la ubicación de la válvula de cierre de gas de la estufa y cómo apagarla en caso de ser necesario.
 - Asegúrese de que todos los materiales de embalaje sean retirados de la estufa antes de su uso, a fin de evitar que estos materiales se incendien.
 - Evite rayones o impactos sobre las puertas de vidrio, placas de cocción o paneles de control. Hacer esto podrá producir la rotura de vidrios. No cocine sobre un producto con un vidrio roto. Se podrán producir descargas, incendios o cortes.
 - No deje a los niños solos o fuera de su radio de atención en el área donde el electrodoméstico se encuentre en uso. Nunca se les deberá permitir trepar, sentarse o pararse sobre ninguna parte del electrodoméstico.
- **▲ PRECAUCIÓN** No coloque artículos de interés para los niños sobre los gabinetes que están sobre un horno – si los niños se trepan sobre el horno para llegar a estos artículos podrían sufrir lesiones graves.
 - Nunca bloquee las ventilaciones (aberturas de aire) de la estufa. Las mismas brindan las entradas y salidas de aire que son necesarias para que la estufa funcione de forma correcta con la combustión adecuada. Las aberturas de aire se encuentran ubicadas en la parte trasera de la estufa, en la parte superior e inferior de la puerta del horno, y en la parte inferior de la estufa.
 - Use sólo mangos de ollas secos – los mangos de ollas húmedos sobre superficies calientes podrán producir quemaduras debido al vapor. No permita que los mangos de ollas tengan contacto con los quemadores de la superficie, las parrillas de los quemadores, o el elemento de calefacción del horno. No use una toalla u otra tela voluminosa para reemplazar el mango de las cacerolas.
 - No toque el elemento para calentar ni la superficie interior del horno. Es posible que estas superficies estén demasiado calientes como para quemar, aunque su color sea oscuro. Durante y después del uso, no toque ni permita que telas u otros materiales inflamables toquen cualquier área interior del horno; espere a que haya pasado un tiempo suficiente hasta que se enfríen. Otras superficies del electrodoméstico se podrán calentar lo suficiente como para ocasionar lesiones. Las superficies potencialmente calientes incluyen quemadores, parrillas, la abertura de la ventilación del horno, superficies cercanas a la abertura y aberturas alrededor de la puerta del horno.
 - No caliente envases de comida que no hayan sido abiertos. Se podría acumular presión y el envase podría explotar, ocasionando una lesión.
 - Cocine la comida completamente para evitar que se produzcan enfermedades a partir de la comida. Podrá encontrar recomendaciones sobre temperatura mínima segura de la comida en IsItDoneYet.gov y en fsis.usda.gov. Use un termómetro de comida para calcular su temperatura y realizar controles en diferentes áreas.
 - No permita que nadie se trepe, pare o cuelgue de la puerta del horno, del cajón o la placa de cocción. Se podrá dañar la estufa o provocar su caída, ocasionando lesiones graves o la muerte.

LEA Y GUARDE ESTAS INSTRUCCIONES

INFORMACIÓN IMPORTANTE DE SEGURIDAD

LEA TODAS LAS INSTRUCCIONES ANTES DE USAR ESTE ELECTRODOMÉSTICO

▲ADVERTENCIA KMANTENGA CUALQUIER MATERIAL INFLAMABLE ALEJADO DE LA ESTUFA Si esto no se cumple, se podrán sufrir lesiones personales graves o incendios.

- No guarde ni use materiales inflamables en un horno o cerca de la placa de cocción, incluyendo papel, plástico, mangos de ollas, trapos, cobertores de pared, cortinas, paños y gasolina u otros vapores y líquidos inflamables.
- Nunca use prendas holgadas o que cuelguen mientras usa el electrodoméstico. Estas prendas se podrán incendiar si entran en contacto con superficies calientes, ocasionando quemaduras graves.
- No permita que la grasa de la cocción u otros materiales inflamables se acumulen en o cerca de la estufa. La grasa del horno o sobre la estufa se podrá incendiar.

▲ADVERTENCIA EN CASO DE INCENDIO, SIGA LOS SIGUIENTES PASOS PARA EVITAR LESIONES Y LA PROPAGACIÓN DEL FUEGO

- No use agua sobre el fuego de la grasa. Nunca tome una olla que se esté incendiando. Apague los controles. Extinga la olla que se esté incendiando sobre un quemador de la superficie, cubriendo la olla completamente con su tapa correspondiente, una charola metálica de galletas o una charola plana. Use un químico seco multiuso o un extintor de chorro de espuma.
- Si hay un incendio en el horno durante el horneado, ahogue el fuego cerrando la puerta del horno y apagando el mismo o usando un químico seco multipropósito o un extintor de incendio con espuma.

▲ADVERTENCIA INSTRUCCIONES DE SEGURIDAD DE LA ESTUFA

- Nunca deje desatendidos los quemadores de la superficie. Las comidas (especialmente las comidas con aceite) se pueden incendiar, lo cual puede ocasionar un incendio que se propague a los gabinetes próximos.
- Nunca pierda de vista el aceite cuando esté friendo. Si se calienta más allá de su punto de cocción, el aceite se puede incendiar y provocar un incendio que se puede propagar a los gabinetes próximos. Use un termómetro para grasas profundas siempre que sea posible, a fin de monitorear la temperatura del aceite.
- A fin de evitar derrames e incendios, use una cantidad mínima de aceite cuando esté friendo en una olla que no sea profunda y evite cocinar comidas congeladas con cantidades excesivas de hielo.
- Use el tamaño de olla adecuado para evitar que sean inestables o que sufran caídas fácilmente. Seleccione utensilios que coincidan con el tamaño del quemador. Las llamas del quemador se deberán ajustar de modo que no se extiendan más allá de la parte inferior de la olla. Una cantidad excesiva de llama puede representar un riesgo.
- Siempre use la posición HI (Alto) al encender los quemadores superiores y asegúrese de que estos se hayan encendido.
- Al usar utensilios de vidrio/ cerámica, asegúrese de que sean adecuados para el servicio de de la placa de cocción; otros se podrán romper debido a un cambio repentino de temperatura.
- A fin de minimizar posibles quemaduras, incendio de materiales inflamables y derrames, la manija de un envase deberá ser inclinada hacia el centro de la estufa sin que se extienda sobre los quemadores cercanos.
- No use un wok. Hacer esto podrá atrapar calor y bloquear el aire hacia el quemador, produciendo el riesgo de emisión de monóxido de carbono.
- No use papel de aluminio para cubrir las parrillas o el revestimiento de cualquier parte de la superficie de cocción. Hacer esto podrá producir envenenamiento con monóxido de carbono, sobrecalentamiento de la superficie de cocción, o un posible riesgo de incendio.

LEA Y GUARDE ESTAS INSTRUCCIONES

INFORMACIÓN IMPORTANTE DE SEGURIDAD

LEA TODAS LAS INSTRUCCIONES ANTES DE USAR ESTE ELECTRODOMÉSTICO

⚠️ ADVERTENCIA INSTRUCCIONES DE SEGURIDAD DEL HORNO

⚠️ ADVERTENCIA NUNCA cubra ranuras, agujeros o conductos en el fondo del horno ni cubra toda una parrilla con materiales tales como papel de aluminio o revestimientos para horno. Hacer esto bloqueará la circulación de aire a través del horno y podrá ocasionar envenenamiento con monóxido de carbono. Nunca coloque papel de aluminio o revestimientos para horno sobre el fondo del horno. Estos podrá atrapar el calor, ocasionando riesgos de humo o incendio.

- Manténgase alejado de la estufa al abrir la puerta del horno. El aire caliente o el vapor que sale podrá causar quemaduras en las manos, rostro y/u ojos.
- Nunca coloque utensilios de cocción, piedras para pizzas u horneados, o cualquier tipo de papel de aluminio o revestimiento sobre cualquier superficie que no sean parrillas. Estos ítems podrán atrapar el calor o derretirse, ocasionando daños sobre el producto y el riesgo de descarga, humo o incendio.
- Coloque las parrillas del horno en la ubicación deseada mientras éste se encuentra frío. Si es necesario retirar la parrilla mientras el horno se encuentra caliente, evite tocar las superficies calientes.
- No deje productos tales como papel, utensilios de cocina ni comida en el horno cuando no estén en uso. Los artículos guardados en el horno se podrán incendiar.
- No deje artículos sobre la superficie de cocción central de la ventilación del horno. Los ítems se podrán sobrecalentar, y existe el riesgo de incendio o quemaduras.

⚠️ ADVERTENCIA RIESGO DE INCENDIO O EXPLOSIÓN

Si la información de este manual no se sigue exactamente, se podrá producir un incendio o explosión, ocasionando daños sobre la propiedad, lesiones o la muerte.

La instalación deberá ser realizada por un instalador calificado.

Lea estas instrucciones en su totalidad y atentamente.

La instalación de este electrodoméstico deberá cumplir con los códigos estatales y con otros códigos o, en ausencia de estos, con: En EE.UU.: el Estándar para Vehículos Recreativos, ANSI/NFPA 1192.

En Canadá: CAN/CSA Z-240.4.2-08 Requisitos de Instalación para Electrodomésticos y Equipamiento de Vehículos Recreativos que Usan Propano.

Esta estufa fue diseñada-certificada por CSA International en cumplimiento con ANSI Z21.57, edición más reciente y CAN1-1.16-M79, edición más reciente.

Al instalar un electrodoméstico a gas, el uso de conectores flexibles viejos podrá ocasionar pérdidas de gas y lesiones personales. Siempre use un conector flexible NUEVO.

La prueba de goteras del electrodoméstico se deberá realizar de acuerdo con las instrucciones del fabricante.

Si se utiliza una fuente eléctrica externa, el electrodoméstico, al ser instalado, deberá contar con una conexión eléctrica a tierra en cumplimiento con el estado o, en ausencia de dichos códigos, con el Código Nacional de Electricidad (National Electrical Code), ANSI/ NFPA 70.

No instale este producto con una campana con cortina de aire u otra campana de estufa que funcione con circulación de aire hacia la placa de cocción. Esta circulación de aire podrá interferir con el funcionamiento de los quemadores a gas, produciendo riesgos de incendio o explosión.

FORMA ADECUADA DE DESCARTAR SU ELECTRODOMÉSTICO

Descarte o recicle su electrodoméstico de acuerdo con las Regulaciones Federales y Locales. Comuníquese con las autoridades locales para descartar o reciclar su electrodoméstico de forma ambientalmente segura.

LEA Y GUARDE ESTAS INSTRUCCIONES

Placa de Cocción

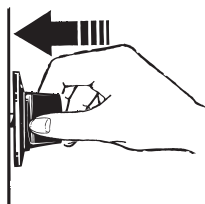
Antes del encendido, confirme que todas las perillas de control estén en la posición OFF (Apagado). Asegúrese de que la válvula principal del tanque de gas esté abierta.

- No utilice el quemador durante un período de tiempo prolongado sin un utensilio de cocina sobre la parrilla. El acabado de la parrilla se podrá resquebrajar si no hay un utensilio de cocina que absorba el calor.
- El utensilio se deberá posicionar sobre las parrillas sin sobresalir del borde lateral o de la encimera.
- Asegúrese de que los quemadores y las parrillas estén fríos antes de colocar la mano, un mango de olla o materiales de limpieza sobre estos.

Encendido de la Placa de Cocción

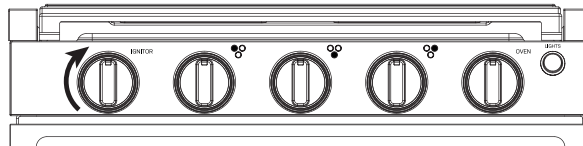
⚠ ADVERTENCIA Los quemadores sólo se deberán usar cuando estén cubiertos por los utensilios. Las llamas de los quemadores que no estén cubiertas por utensilios presentan riesgos de incendio o de encendido de telas. Nunca permita que las llamas se extiendan más allá de los costados del utensilio. Si esto no se cumple, se podrán producir lesiones graves.

1. Presione y gire la perilla de control del quemador en sentido antihorario hasta la posición Hi (Alto).



Presione la perilla de control y gire la misma hasta la posición HI (Alto).

2. Gire la perilla de encendido en sentido horario de forma continua hasta que el quemador se encienda.



3. Gire la perilla de control del quemador para ajustar el nivel de la llama.
4. Repita los pasos 1 a 3 para encender el otro quemador(es), según sea necesario.

Si un quemador no se enciende dentro de los 5 segundos, de forma inmediata gire la perilla de control en sentido horario hasta la posición OFF (Apagado). Espere por lo menos 5 minutos y repita el procedimiento de encendido. Si aún no se logra el encendido, use un encendedor a gas o un cerillo para encender el quemador. Consulte la sección de "Encendido Manual de la Placa de Cocción".

Selección del Tamaño de la Llama

Observe la llama, no la perilla, a medida que ajusta el nivel de calor. Cuando se desee calentar de forma rápida, el tamaño de la llama deberá ser equivalente al utensilio de cocina que esté usando. Las llamas más grandes que la parte inferior del utensilio no calentarán con mayor rapidez y podrán ser peligrosas.

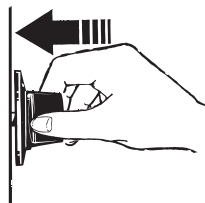


Estas llamas son demasiado grandes para la olla.

Encendido Manual de la Placa de Cocción

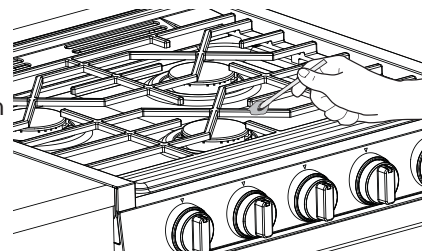
Si no se logra encender un quemador de la placa de cocción, usted podrá encender el quemador de forma manual siguiendo los pasos que figuran a continuación:

1. Presione y gire la perilla de control del quemador en sentido antihorario hasta la posición Hi (Alto).



Presione la perilla de control y gire la misma hasta la posición HI (Alto).

2. De forma inmediata, raspe y coloque un cerillo de madera largo encendido o un encendedor a gas cerca del quemador para realizar el encendido.



3. Gire la perilla de control del quemador para ajustar el nivel de la llama.
4. Repita los pasos 1 a 3 para encender el otro quemador(es), según sea necesario.

Si la Llama se Apaga

De forma inmediata, gire la perilla de control hasta la posición OFF (Apagado). Espere por lo menos 5 minutos y vuelva a encender el quemador.

Apagado de la Placa de Cocción

Para apagar los quemadores de la placa de cocción, gire las perillas de control en sentido horario hasta la posición OFF (Apagado). No toque ni coloque objetos sobre las parrillas hasta que la placa de cocción se encuentre fría.

Placa de Cocción

Uso de los Quemadores de la Estufa

Use el quemador frontal para utensilios de cocina grandes y para un hervor más rápido. Los quemadores traseros fueron diseñados para realizar la cocción general y hervores a fuego lento.

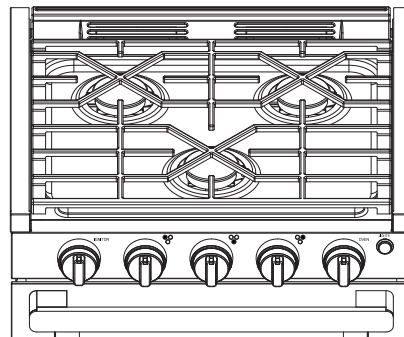
- No utilice el quemador durante un período de tiempo prolongado sin un utensilio de estufa sobre la parrilla. El acabado de la parrilla podrá perder color o resquebrajarse si no se cuenta con un utensilio de estufa que absorba el calor.
- No intente desensamblar un quemador mientras otro quemador está encendido. Se podrán producir daños sobre el producto.

- Asegúrese de que los quemadores y las parrillas estén fríos antes de colocar la mano, un mango de olla o materiales de limpieza sobre la superficie de cocción.

Adapte el tamaño del utensilio de forma proporcional a las llamas. Los quemadores traseros fueron diseñados para realizar la cocción general y hervores a fuego lento. Use el quemador frontal para utensilios de cocina grandes y para un hervor más rápido. Cubra su utensilio con una tapa para que los líquidos hiervan de forma más rápida.

Orientación de las Parrillas de la Placa de Cocción


La orientación adecuada de la instalación de la parrilla es como se muestra.

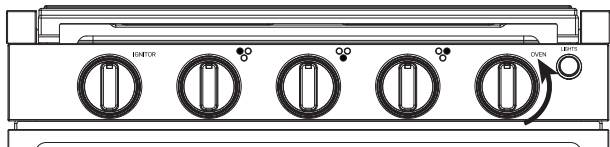


Horno

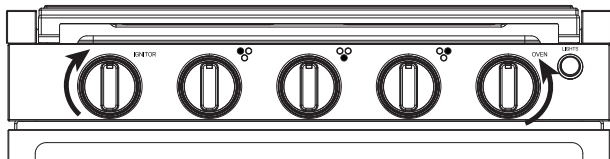
Encendido del Horno

NOTA: Antes de realizar el encendido, asegúrese de que la válvula principal del tanque de gas esté abierta.

1. Presione hacia usted la manija del horno para abrir la puerta.
2. Presione y gire la perilla de control del horno en sentido antihorario hasta la posición .

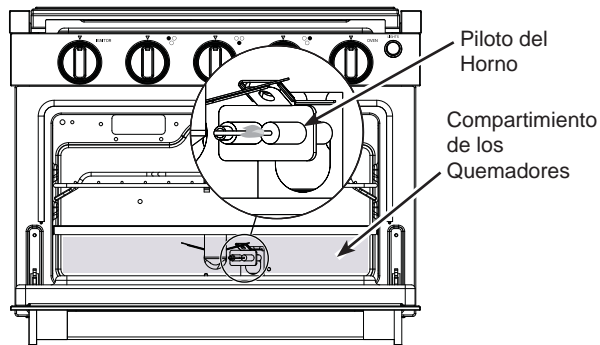


3. Mantenga la perilla de control del horno presionada y gire la perilla de encendido en sentido horario de forma continua hasta que el piloto del horno se encienda. El piloto del horno se encuentra ubicado en la parte trasera derecha del quemador para hornear, en el compartimiento de los quemadores.



4. Una vez encendido el piloto del horno, mantenga la perilla de control del horno presionada durante por lo menos 15 segundos hasta que el sensor del piloto del horno esté caliente.

5. Libere la perilla de control del horno y visualmente confirme que el piloto del horno se mantiene encendido. Si el piloto del horno se apaga, repita los pasos 3 y 4.



6. Gire la perilla de control del horno hasta la temperatura más alta del horno y de forma visual confirme que el piloto encendió el quemador para hornear.
7. Gire la perilla de control del horno hasta la temperatura deseada. Cierre la puerta del horno.

⚠ ADVERTENCIA En caso de falla en el sistema de encendido, el horno quedará inoperable y no se deberá intentar operar el mismo. No intente encender el horno de forma manual.

⚠ ADVERTENCIA No guarde objetos en el compartimiento de los quemadores.

Horno

Si la Llama se Apaga

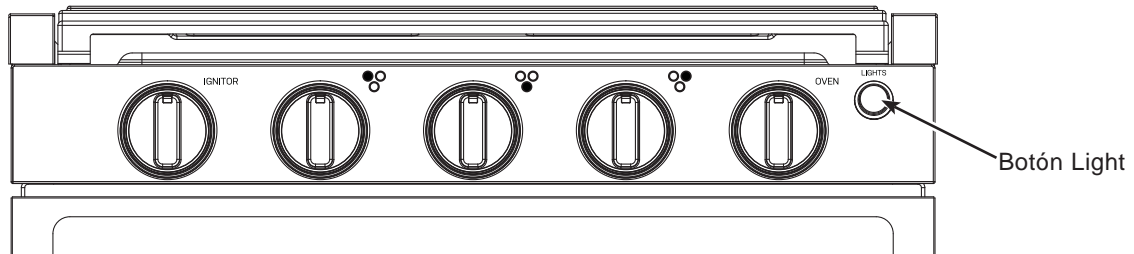
De forma inmediata, gire la perilla de control del horno hasta la posición **OFF** (Apagado). Espere por lo menos 5 minutos antes de intentar volver a encender el quemador del horno.

Apagado del Horno

Para apagar el horno, gire la perilla de control del horno en sentido horario hasta la posición **OFF** (Apagado).

Luces del Horno y de la Perilla de Control

Presione el botón Light (Luz) sobre el panel de control para encender/ apagar las luces del horno y de la perilla de control. Todas las luces se encienden y apagan juntas.



Parrillas del Horno

Al colocar y retirar utensilios de cocina, empuje el estante hacia afuera del tope (posición de detención) sobre el soporte de la parrilla. Para retirar una parrilla, levante la parte trasera de ésta sobre los soportes de parrilla, y empuje la misma hacia usted hasta que se libere. Para volver a colocar una parrilla, coloque su parte trasera sobre el soporte de parrilla, y presione la parrilla hasta la parte trasera del horno hasta que calce en su posición.

Papel de Aluminio y Revestimientos para Horno

⚠PRECAUCIÓN No use ningún tipo de papel de aluminio ni revestimiento de horno para cubrir cualquier superficie que no sean las parrillas. Estos ítems podrán atrapar el calor o derretirse, ocasionando daños sobre el producto y el riesgo de descarga, humo o incendio. Los daños por uso inadecuado de estos ítems no están cubiertos por la garantía del producto.

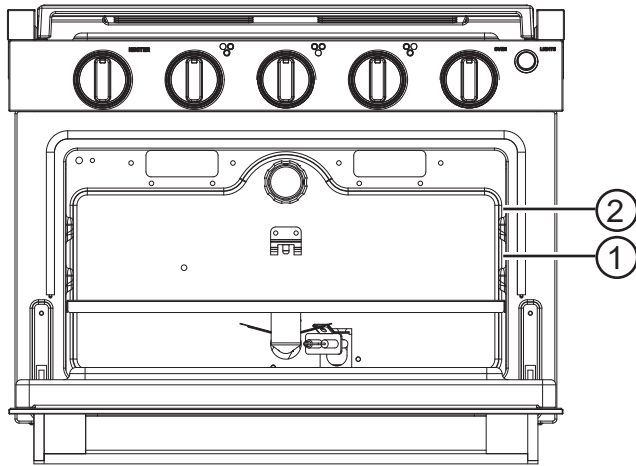
No use más aluminio que el necesario y nunca cubra totalmente el estante de un horno con papel de aluminio. Mantenga el aluminio a por lo menos 1 ½" de las paredes del horno, para evitar una circulación deficiente del calor.

Ventilaciones del Horno

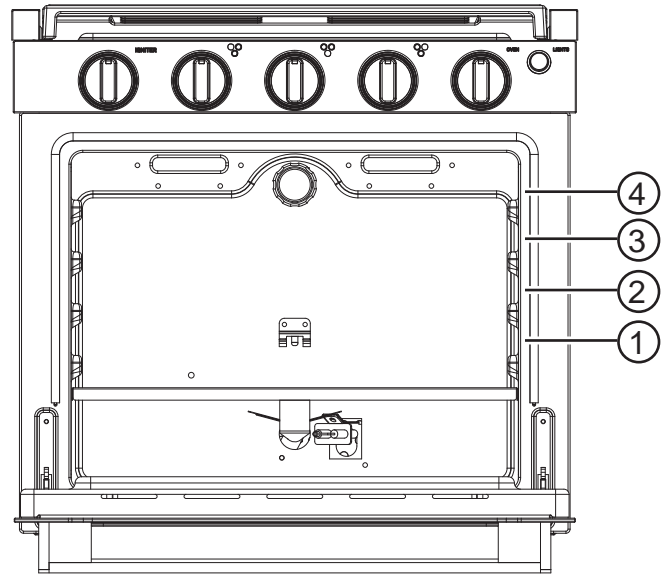
Nunca bloquee las ventilaciones (aberturas de aire) de la estufa. Éstas brindan las entradas y salidas de aire que son necesarias para que la estufa se mantenga fresca y funcione de forma correcta con la combustión adecuada. Nunca cubra la abertura con papel de aluminio o cualquier otro material. Las ventilaciones se encuentran ubicadas a lo largo de la parte trasera de la placa de cocción.

Guía de Cocción en Horno

Precaliente el horno entre 10 y 15 minutos antes de insertar la comida. Use la posición del estante 2 para un horneado estándar. Ajuste la posición según sea necesario. Limite las aperturas de puerta tanto como sea posible para retener el calor dentro del horno.



PLD617RT



PLD621RT

Utensilio del Horno

El material, el acabado y el tamaño de los utensilios afectan el horneado. Las charolas oscuras, revestidas y opacas absorben el calor más rápidamente que las charolas claras y brillantes. Al usar charolas que absorben el calor más rápidamente, las comidas podrán resultar más doradas, crocantes y con una capa más gruesa. Si utiliza utensilios oscuros y revestidos, controle la comida antes del tiempo mínimo de cocción.

Superficies de la Placa de Cocción

Asegúrese de que todos los controles estén apagados y que todas las superficies se enfríen antes de limpiar cualquier parte de la estufa.

Placa de Cocción de Porcelana Esmaltada

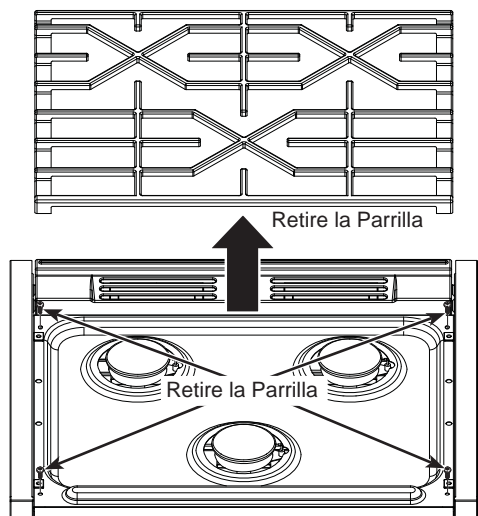
No use limpiadores de horno, limpiadores abrasivos, limpiadores líquidos fuertes, estropajos de acero, almohadillas para fregar de plástico, ni polvos limpiadores sobre la placa de cocción. Limpie con un jabón suave y agua o con una solución que sea mitad de vinagre y mitad de agua. Enjuague con agua limpia y seque con una tela seca.

Al limpiar las superficies, asegúrese de que se encuentren a temperatura ambiente. El derrame de adobo, jugos de fruta, salsas de tomate y líquidos para humedecer que contengan ácidos podrán ocasionar descoloración y se deberán quitar en cuanto las superficies calientes se enfríen, y luego se deberán lavar y enjuagar. Tenga cuidado de no derramar agua en las aberturas de la placa de cocción.

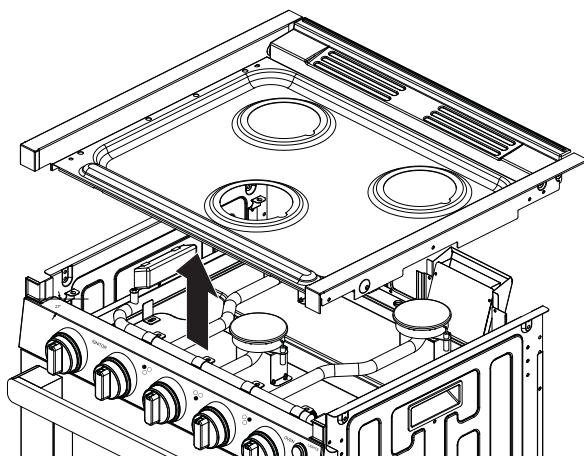
Retiro de la Placa de Cocción para su Limpieza en Caso de Derrame

⚠ ADVERTENCIA Se deberá tener cuidado de no dañar ni modificar la tubería de gas y el cableado que se encuentra debajo de la placa de cocción. Hacer esto podrá ocasionar un incendio o riesgos de explosión.

1. Desconecte la corriente desde el fusible principal o del panel del disyuntor antes de retirar la superficie de cocción.
2. Levante y retire la parrilla de la placa de cocción.



3. Retire los 4 tornillos sobre la superficie de cocción con un destornillador Phillips, y luego levante la placa de cocción para su retiro.



4. Realice la limpieza con un jabón suave, una solución a base de agua y una tela húmeda. Enjuague con agua limpia y seque con una tela seca.
5. Vuelva a colocar la placa de cocción en su posición y adhiera la misma con los 4 tornillos, usando un destornillador Phillips.

Tapas de los Quemadores

Lave las tapas de los quemadores con agua caliente y jabón, y enjuague con agua limpia. Puede fregar con una base de fregado plástica para eliminar partículas de comida quemadas.

Cabezas de los Quemadores

Limpie las cabezas de los quemadores de forma rutinaria, especialmente luego de derrames importantes, que podrían bloquear las aberturas de los quemadores. Limpie con agua caliente y jabón. Enjuague con agua limpia. Para eliminar las manchas más rebeldes, use un cepillo con cerda plástica.

NOTA: No use estropajos de acero ni bases para fregar para limpiar las partes del quemador, ya que podrán bloquear sus partes. Las hendiduras de las cabezas de los quemadores se deberán mantener limpias en todo momento para obtener una llama pareja y sin obstrucción. Los puertos o electrodos atascados o sucios de un quemador no permitirán que éste funcione de forma correcta.

Parrillas de los Quemadores

Las parrillas se deberán lavar con agua caliente y jabón y deberán ser enjuagadas con agua limpia. Para ablandar la comida quemada, coloque las parrillas en una solución que contenga ¼ de taza de amoníaco hogareño durante varias horas. Luego, fregue las parrillas con un estropajo de plástico con agua caliente y jabón. Enjuague a fondo y seque. NO use blanqueador ni removedores de óxido sobre la placa de cocción o las parrillas de los quemadores.

Superficies Exteriores

Asegúrese de que todos los controles estén apagados y que todas las superficies se enfríen antes de limpiar cualquier parte de la estufa.

Perillas de Control

Las perillas de control se pueden retirar para facilitar la limpieza. Asegúrese de que las perillas estén en las posiciones OFF (Apagado) y empuje las mismas desde los vástagos de forma recta para su limpieza. Las perillas se podrán lavar con agua y jabón. Asegúrese que los interiores de las perillas estén secos antes de volver a colocarlas. Vuelva a colocar las perillas en la posición OFF (Apagado) para asegurar una ubicación adecuada.

Borde Pintado de la Placa de Cocción

Limpie la misma con agua y jabón o con una solución de vinagre y agua. No use limpiadores comerciales para horno, polvos de limpieza, estropajos de acero o abrasivos duros sobre cualquier superficie pintada.

Superficies Interiores

Interior del Horno

No use limpiadores de horno, limpiadores abrasivos, limpiadores líquidos fuertes, estropajos de acero, almohadillas para fregar, ni polvos limpiadores en el interior del horno. El derrame de adobo, jugos de fruta, salsas de tomate y líquidos para humedecer que contengan ácidos podrán ocasionar descoloración y se deberán limpiar de inmediato. Espere a que las superficies calientes se enfríen, y luego limpie y enjuague. Limpie con agua y jabón o una solución de vinagre y agua. Enjuague con agua limpia y seque con una tela seca. Al limpiar las superficies, asegúrese de que se encuentren a temperatura ambiente. No frote ni limpie la junta de la puerta; ésta posee una resistencia extremadamente baja a la abrasión. Si observa que la junta comienza a gastarse, se deshilacha o daña de cualquier forma y si quedó fuera de la puerta, deberá reemplazar la misma.

Superficies de Acero Inoxidable

No use una viruta de acero; ésta dañará la superficie. Para limpiar la superficie de acero inoxidable, use agua tibia con jabón o un limpiador o pulidor para acero inoxidable. Siempre limpie la superficie en la dirección del veteado. Siga las instrucciones del limpiador para limpiar la superficie de acero inoxidable. Los limpiadores con ácido oxálico tales como Bar Keepers Friend Soft Cleanser eliminarán el óxido, deslustres y pequeñas manchas de la superficie. Use sólo un limpiador líquido libre de material abrasivo y frote en la dirección de las líneas del cepillo con una esponja suave y húmeda.

Parrillas del Horno

Los estantes planos se podrán lavar con agua caliente y jabón. Es posible que sea más difícil deslizar las parrillas con el paso del tiempo. Coloque aceite vegetal en una tela húmeda o en una toalla de papel y frote las mismas sobre los extremos izquierdo y derecho. NOTA: El uso de otros aceites de cocina ocasionará descoloración o un residuo de color similar al óxido sobre las parrillas y los laterales de las cavidades. Para limpiar este residuo, use agua y jabón o una solución de vinagre y agua. Enjuague con agua limpia y seque con una tela seca.

Superficies Interiores

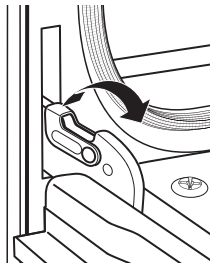
Puerta del Horno

Interior y Exterior de la Puerta

No permita que el excedente de agua entre a ningún agujero o ranuras de la puerta. Aplique detergente para lavar platos sobre cualquier salpicadura que haya en el vidrio debido al horneado. Use el filo de una navaja del lado seguro para retirarlo. Luego limpie el vidrio con una tela con jabón para eliminar cualquier residuo y seque.

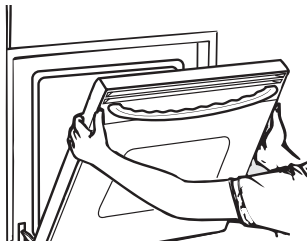
Para Retirar la Puerta:

1. Abra la puerta totalmente.
2. Empuje los bloqueos de la bisagra hacia arriba y afuera de la estructura de la estufa, hasta la posición de desbloqueo.



Empuje los bloqueos de bisagra hacia arriba para desbloquear.

3. De manera firme, tome ambos lados de la puerta cerca de la parte superior.
4. Cierre la puerta hasta que la parte superior de la misma quede a aproximadamente a 6" de la estructura de la estufa.
5. Levante la puerta hacia arriba y afuera de la estufa, hasta que ambos brazos de las bisagras estén fuera de las

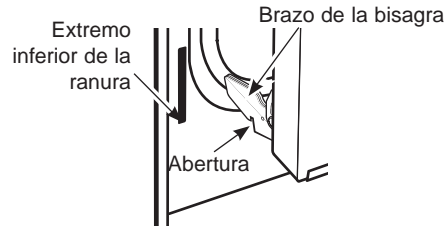


Posición de retiro

ranuras de la estructura de la estufa.

Para Volver a Colocar la Puerta

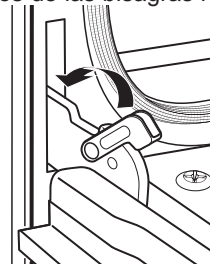
1. De manera firme, tome ambos lados de la puerta cerca de la parte superior.
2. Con la puerta en el mismo ángulo que en la posición de retiro, coloque la abertura sobre el lado inferior del brazo de la bisagra izquierda en el extremo inferior de la ranura de la bisagra izquierda. La abertura en el brazo de la bisagra deberá estar totalmente apoyada en la parte inferior de la



Apoye la abertura en el extremo inferior de la ranura de la bisagra

ranura. Repita este procedimiento del lado derecho.

3. Abra la puerta totalmente. Si la puerta no se abre completamente, entonces las aberturas en las partes inferiores de los brazos de las bisagras no se apoyaron de forma correcta sobre el extremo inferior de la ranura. Retire la puerta de la estufa y repita el paso anterior.
4. Empuje los bloqueos de las bisagras hacia la cavidad de la



Empuje los bloqueos de la bisagra hacia abajo para bloquear.

estufa y hacia abajo hasta la posición de bloqueo.

5. Cierre la puerta del horno.

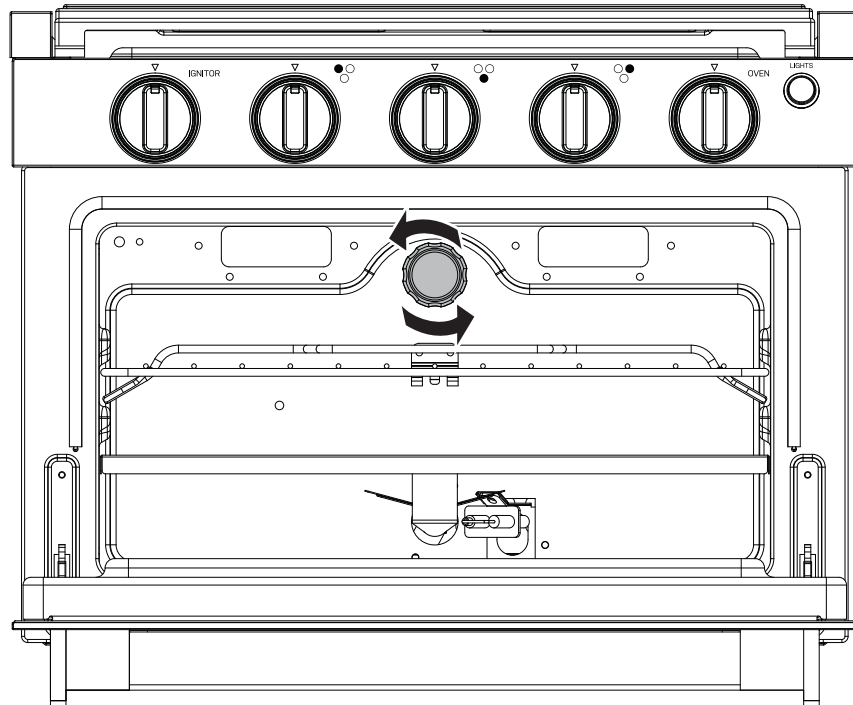
Luz del Horno

⚠ PRECAUCIÓN **RIESGO DE INCENDIO:** La tapa de vidrio y el bombillo se deberán retirar cuando estén fríos. Tocar el vidrio caliente sin protección en las manos o con un trapo húmedo podrá ocasionar quemaduras.

Antes de reemplazar el bombillo, desconecte la corriente eléctrica del horno. Espere hasta que el bombillo se enfríe completamente antes de retirar el mismo. Para su seguridad, no toque un bombillo caliente con una tela húmeda. Si lo hace, éste se podrá romper.

1. Desconecte la corriente del horno antes de cambiar el bombillo.
2. Retire la tapa de vidrio del porta bombillos, desenroscando en sentido antihorario.

3. Retire el bombillo y reemplace el mismo por uno resistente a altas temperaturas (300°C/ 572°F) con las siguientes características: - Voltaje: 12V - Watts: 10W - Tipo: G4 – Tipo de Bombillo: Halógeno
4. Reemplace la tapa de vidrio desenroscando la misma en sentido horario.
5. Vuelva a conectar el horno a la corriente.



Instrucciones de Instalación

¿Preguntas? Visite GEAppliances.com. En Canadá, visite GEAppliances.ca.

⚠ ADVERTENCIA Se Requieren Ciertos Equipos de Detección en Vehículos Recreativos de acuerdo con NFPA 1192. El equipamiento requerido deberá estar aprobado por UL para su uso en vehículos recreativos. Instale y use el equipo de acuerdo con las instrucciones del fabricante.

Alarma de Humo – En la sección 6.3.1 se indica que todos los vehículos recreativos deberán estar equipados con una alarma de humo.

Alarma de Humo – En la sección 6.3.1 se indica que todos los vehículos recreativos deberán estar equipados con una alarma de humo.

Detector de Propano – En la sección 6.3.3 se indica que todos los vehículos recreativos con un electrodoméstico a gas propano deberán estar equipado con un detector de propano.

ANTES DE COMENZAR

IMPORTANTE — Guarde estas instrucciones para uso del inspector local.

IMPORTANTE — Cumpla con todos los códigos y ordenanzas gubernamentales.

IMPORTANTE — Retire todo el material de embalaje y el material escrito del horno antes de conectar el gas y el suministro de corriente a la estufa.

IMPORTANTE — A fin de evitar daños en los gabinetes, controle con su constructor o proveedor de gabinetes que los materiales usados no se descolorarán, deslaminarán ni sufrirán otro daño. Este horno fue diseñado de acuerdo con los requisitos de CSA International y cumple con las temperaturas máximas permitidas para gabinetes de madera de 194°F (90°C).

Nota para el Instalador – Asegúrese de entregar estas instrucciones al consumidor.

Nota para el consumidor – Conserve estas instrucciones para referencia futura.

La correcta instalación del producto es responsabilidad del instalador.

Si se producen fallas en el producto debido a una instalación inadecuada, la garantía no cubrirá las mismas.

QUÉ HAY EN LA CAJA

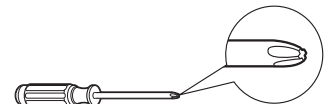
Asegúrese de que los siguientes ítems estén todos incluidos con el embalaje. Si un ítem se encuentra dañado o no esté presente, comuníquese con su vendedor minorista.

- Estufa x 1
- Parrilla de Placa de Cocción x 1
- Parrilla de Cocción x 1
- Tornillo de madera nº 8-15 x 1" x 4
- Manual del Propietario e Instrucciones de Instalación x 1

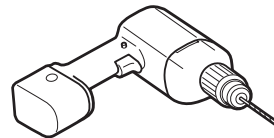
HERRAMIENTAS NECESARIAS



Llave ajustable (2)



Destornillador Phillips



Taladro eléctrico con broca de 1/8"



Gafas de seguridad



Guantes

MATERIALES NECESARIOS

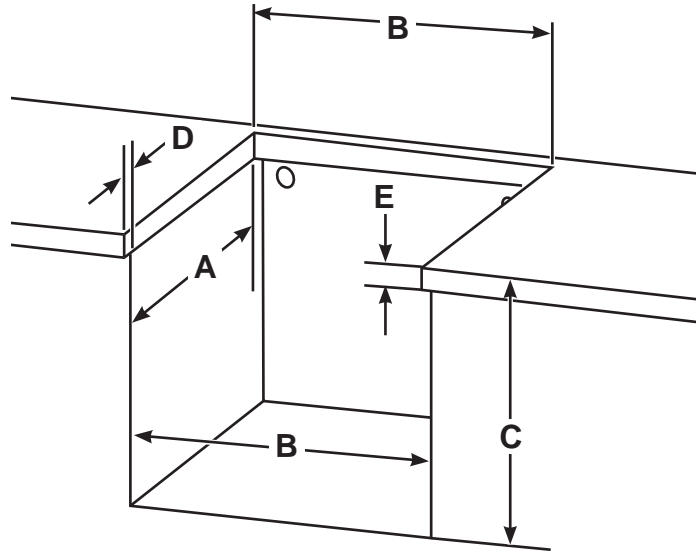
- Sellador para junta de tubería o cinta para tubería roscada aprobada por UL con Teflón*, resistente a la acción del gas natural o LP.
- Detector de pérdidas de líquido o agua con jabón.
- Tubería de suministro de propano con conexión hembra abocardada de 3/8".

*Teflón: Marca registrada por DuPont

Instrucciones de Instalación

DIMENSIONES DE LOS ESPACIOS LIBRES DE LOS GABINETES Y LA ENCIMERA

Asegúrese de que los gabinetes y la encimera cumplan con los requisitos de la mesa, antes de realizar la instalación de la estufa.



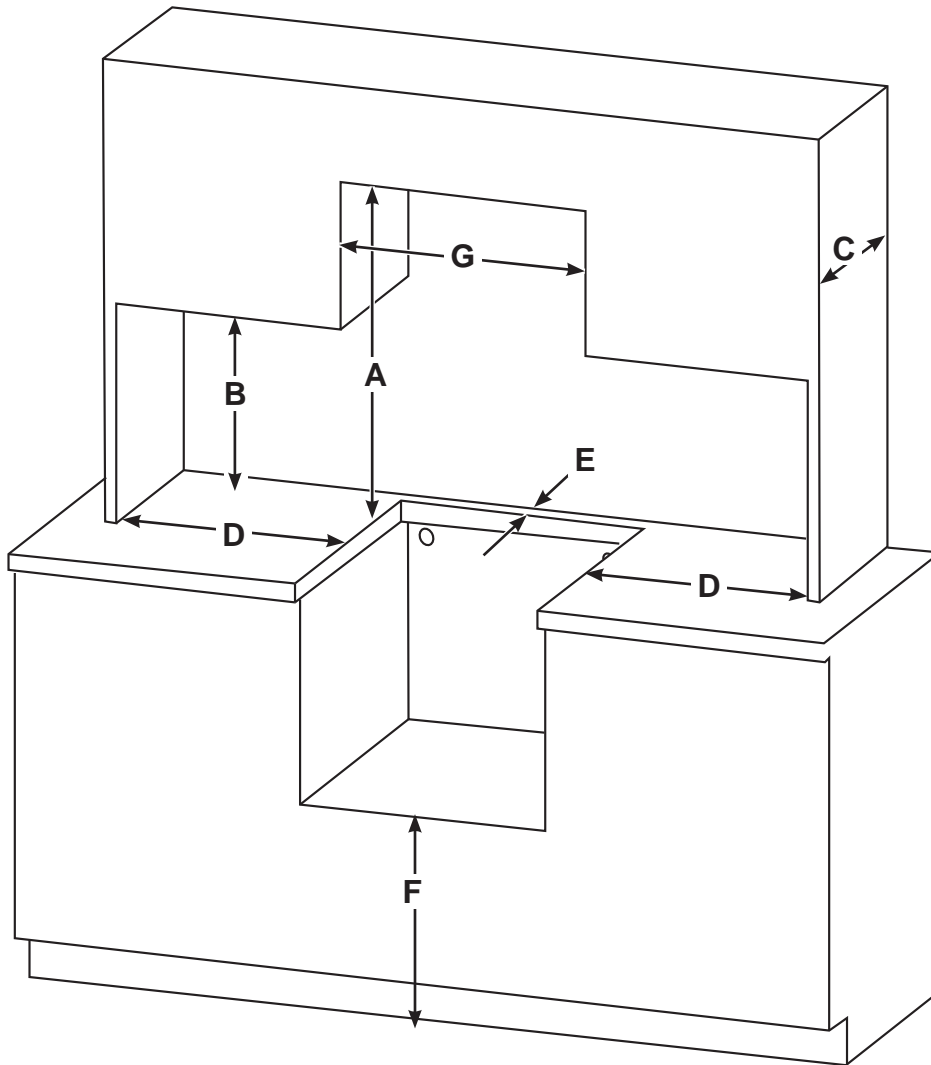
Modelo	A (profundidad)	B (ancho)	C (alto)	D (volado)	E (grosor)
PLD617RT	17.75"	20.25"	Mín. de 16.125"	Máx. de 1"	Máx. de 1.625"
PLD621RT	17.75"	20.25"	Mín. de 20"	Máx. de 1"	Máx. de 1.625"

NOTA: Las partes trasera y los laterales de la estufa debajo de la encimera podrán estar nivelados con los gabinetes. El horno se deberá enmarcar o proteger a fin de evitar la creación de un espacio de almacenamiento alrededor de la parte empotrada del electrodoméstico.

Instrucciones de Instalación

ESPACIOS LIBRES DE LA INSTALACIÓN

Asegúrese de que los gabinetes y la encimera cumplan con los requisitos de la mesa, antes de realizar la instalación de la estufa.



Modelos	A	B	C	D	E	F	G
Todos los Modelos	Mín. de 30"	Mín. de 18"	Máx. de 13"	Mín. de 2"	Mín. de 2"	Mín. de 4"	Mín. de 20.25"

A: Deje un espacio libre vertical de un mínimo de 30" entre la encimera y la construcción inflamable sobre el electrodoméstico. Para contar con espacios verticales alternativos libres, consulte la Tabla 5.6.6.5 de NFPA 1192 para requisitos sobre campanas.

B: Deje un espacio libre vertical de un mínimo de 18" entre la encimera y la construcción inflamable sobre los laterales izquierdo y derecho del electrodoméstico.

C: La profundidad máxima permitida para los gabinetes superiores es de 13". Cuando se trate de profundidades de gabinete sobre la altura de la cabeza que superen 13", consulte la Tabla 5.6.6.5 de NFPA 1192 para requisitos sobre campanas.

D: Deje un espacio libre horizontal mínimo de 2" entre el espacio libre del electrodoméstico y la construcción inflamable que se extiende desde la superficie de cocción hasta 18" por encima de la superficie de cocción.

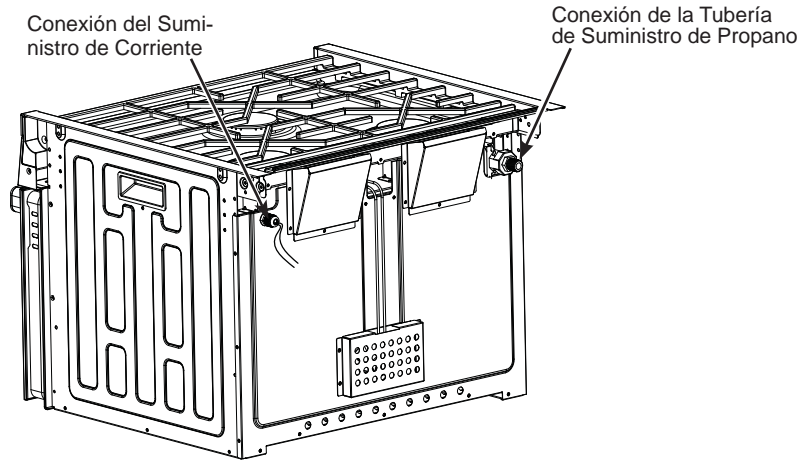
E: Deje un espacio libre de un mínimo de 2" entre la construcción inflamable adyacente y la parte trasera del espacio libre del electrodoméstico.

F: La distancia vertical mínima entre el piso y la parte trasera del espacio libre del gabinete es de 4".

G: El ancho del Espacio Vertical A no deberá ser inferior a 20.25".

Instrucciones de Instalación

UBICACIONES PARA LA INSTALACIÓN DE LOS SUMINISTROS DE GAS Y CORRIENTE



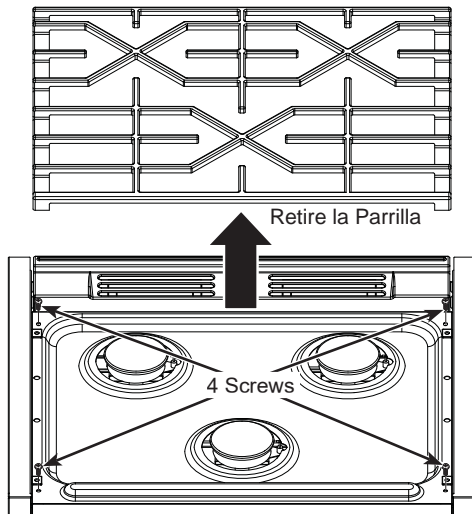
INSTALACIÓN DEL HORNO

NOTA: Antes de realizar la instalación, use guantes y gafas de seguridad.

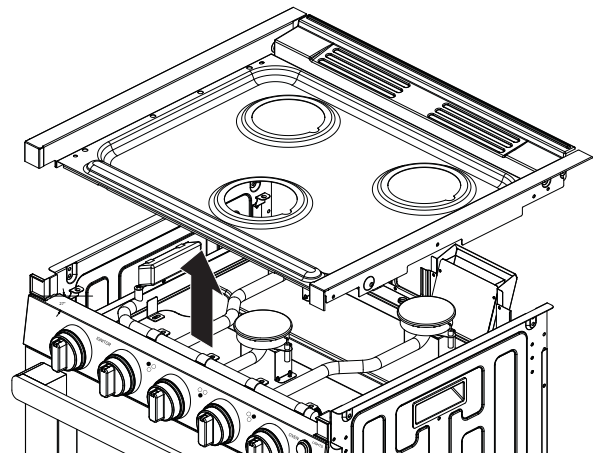
Complete los siguientes pasos cuando el gabinete se encuentre preparado de acuerdo con las dimensiones dadas, y cuando la tubería de gas y las conexiones eléctricas se encuentren preparadas.

1. PREPARACIÓN DEL HORNO

- Retire la estufa de la caja de cartón y coloque la misma sobre una superficie plana. Retire los materiales del embalaje.
- Levante y retire la parrilla de la placa de cocción.



- Retire los 4 tornillos sobre la superficie de cocción con un destornillador Phillips, y luego levante la placa de cocción para su retiro.



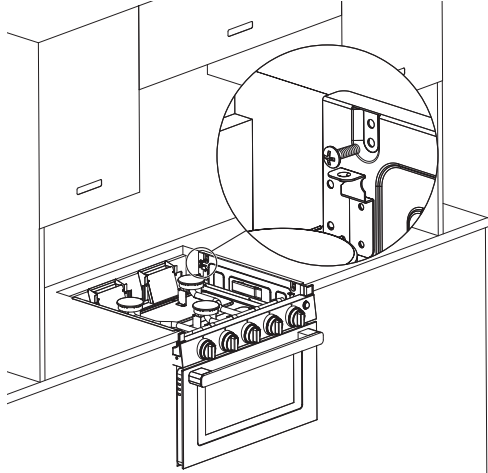
⚠ADVERTENCIA Se deberá tener cuidado de no dañar ni modificar la tubería de gas que se encuentra debajo de la placa de cocción. Hacer esto podrá ocasionar un incendio o riesgos de explosión.

- Levante la estufa tomando las manijas laterales y coloque el mismo en la abertura del gabinete. Vuelva a deslizar la estufa hasta que las pestañas de la cavidad frontal tengan contacto con la cara del gabinete.

Instrucciones de Instalación

1. PREPARACIÓN DEL HORNO (cont.)

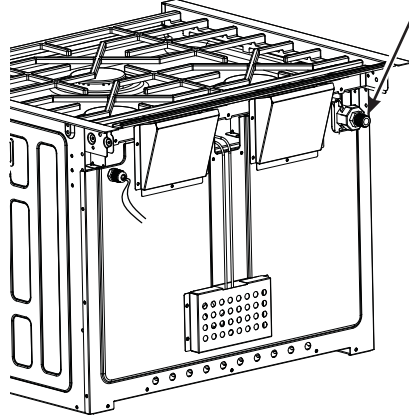
- Adhiera la estufa a la abertura del gabinete, colocando cuatro tornillos en la encimera. Instale 2 tornillos por lado usando las opciones de agujeros preferidas en base a la construcción de la encimera. Si la encimera es de madera, comience perforando cuatro agujeros piloto con una broca de 1/8". Coloque los 4 tornillos provistos en los agujeros para su adhesión.



2. SUMINISTRO DE GAS (cont.)

Conecte una tubería de suministro de propano con una conexión hembra abocardada de 3/8" al regulador en la esquina superior trasera derecha del gabinete.

Conexión de la Tubería de Suministro de Propano



Ajuste la tubería de gas al regulador usando 2 llaves.

IMPORTANTE: Deje un espacio adecuado alrededor de la tubería de suministro de gas en caso de torcedura o daños durante la instalación. Asegúrese de que la tubería de suministro de gas no pueda tener contacto con ninguna pieza móvil luego de la instalación.

Al usar presiones superiores a 1/2 psig para controlar el sistema de suministro de gas del vehículo recreativo, desconecte la estufa y la válvula de cierre individual de la tubería de suministro de gas. Al usar las presiones de prueba de 1/2 psig (3.5kPa) o menos para controlar el sistema de suministro de gas, simplemente aisle la estufa del sistema de suministro de gas cerrando la válvula de cierre individual.

2. SUMINISTRO DE GAS

⚠ ADVERTENCIA Riesgo de Incendio: No use una llama para controlar las pérdidas de gas.

⚠ ADVERTENCIA Riesgo de Explosión: No supere una torsión máxima de 25 pies-libras al realizar conexiones de tuberías de gas. Cualquier ajuste en exceso podrá romper el regulador de presión, resultando en riesgo de incendio o explosión.

⚠ ADVERTENCIA Es posible que las pérdidas de gas no se puedan detectar sólo a través del olfato. Los proveedores de gas recomiendan la adquisición e instalación de un detector de gas aprobado por UL. Instale y use el equipo de acuerdo con las instrucciones del fabricante.

Regulador de Presión de Gas

Se deberá usar el regulador de presión de gas propano suministrado con esta estufa. Para un funcionamiento adecuado, la presión de entrada al regulador deberá ser la siguiente:

Presión mínima: 11" de Columna de Agua

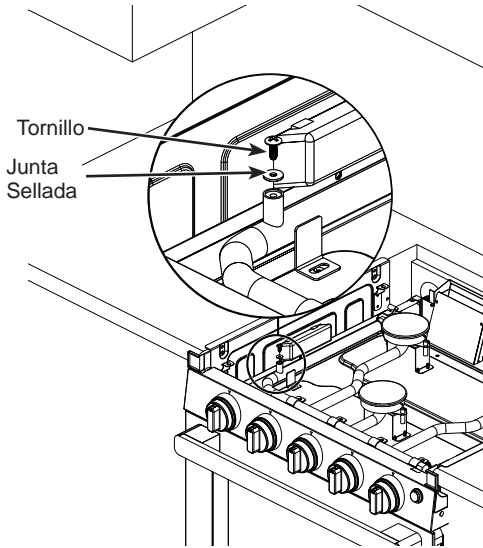
Maximum pressure: 13.8" of Water Column

Presión máxima: 13.8" de Columna de Agua

Instrucciones de Instalación

3. CONTROL DE PRESIÓN

- Asegúrese de que el gas propano sea cerrado para el electrodoméstico.
- Retire el tornillo con la junta sellada desde el puerto de prueba de presión de la estufa.



- Utilizando la tubería de goma desde un dispositivo de medición de control de presión, deslice la tubería de goma por el puerto de prueba de presión de gas. La tubería de goma se deberá sellar alrededor del puerto de prueba de presión.
- Abra la entrada de gas propano al electrodoméstico
- El medidor de calibre de presión deberá medir entre 10" de columna de agua y 13.8" de columna de agua.
- Cierre la entrada de gas propano al electrodoméstico.
- Retire la tubería de goma del dispositivo de medición de control de presión.
- Vuelva a colocar el tornillo con la junta retirada en el paso anterior. Antes de volver a colocar el tornillo, inspeccione que el sellado de la junta de goma no posea signos de daños.
- Ajuste de forma manual el tornillo, asegurándose de que no se dañe el sellado.

NOTA: Asegúrese de que se haya controlado que el producto no posee pérdidas de gas, una vez completada la prueba de control de presión controlando también el tornillo del puerto de control de presión. Si se detectan pérdidas alrededor del tornillo del puerto de prueba de presión y de la junta sellada, se podrá adquirir uno nuevo. Llame a GE Appliances al 877.959.8688 para solicitar un reemplazo.

4. CONTROL DE PÉRDIDAS

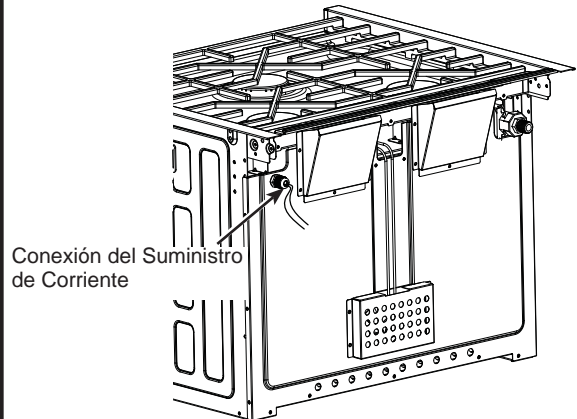
- Asegúrese de que todas las perillas de control se encuentren en la posición OFF (Cerrada).
- Aplique un líquido de detección de gas sobre las conexiones. Cualquier pérdida de gas será indicada a través de las burbujas.
- Si se detecta una pérdida de gas, ajuste la junta floja o reemplace la pieza defectuosa con una pieza de reemplazo recomendada por un vendedor minorista autorizado de GE Appliances.

5. CONEXIÓN ELÉCTRICA

⚠ PRECAUCIÓN RIESGO DE DAÑOS SOBRE EL PRODUCTO

- Conectar a dispositivos de 12V DC únicamente.
- Conectar sólo un circuito protegido con fusible de no más de 15 Amperios.

Los cables de suministro de corriente se encuentran ubicados en la esquina superior izquierda de la parte trasera del electrodoméstico.



Conecte un cable de suministro de corriente de 12V positivo al cable negro de 12V del electrodoméstico, y un cable de suministro de corriente de 12V negativo al cable blanco de 12V del electrodoméstico. El consumo máximo de corriente es inferior a 1 Amper.

NOTA: Asegúrese de conectar los cables con la polaridad correcta. El Negro es "+" y el Blanco es "-". Asegúrese de que las conexiones eléctricas se encuentren correctamente aseguradas.

Asegúrese de que las tuberías de suministro de gas se encuentren desconectadas, o de haber cortado la conexión desde el panel del fusible o disyuntor, antes de realizar el servicio técnico del electrodoméstico.

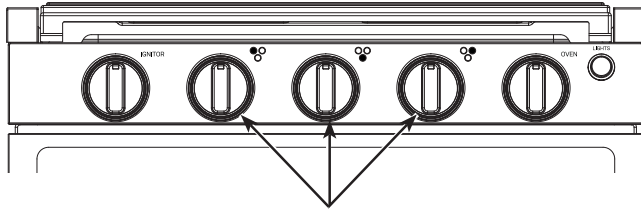
Instrucciones de Instalación

6. VUELVA A COLOCAR LA PLACA DE COCCIÓN

Vuelva a colocar la placa de cocción en su posición y adhiera la misma con los 4 tornillos, retirados en el Paso 1, usando un destornillador Phillips.

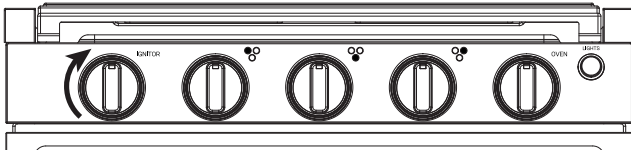
7. PRUEBE LOS QUEMADORES DE LA ESTUFA

- Presione y gire la perilla de control del quemador correspondiente en sentido antihorario hasta la posición Hi (Alto).



Gire la perilla de control del quemador en sentido antihorario.

- Gire la perilla de encendido en sentido horario de forma continua hasta que el quemador se encienda.

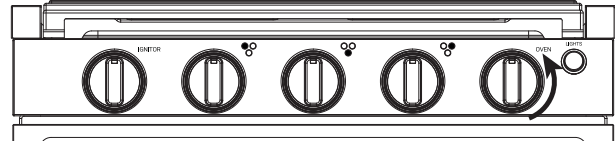


De haber aire en la tubería de suministro, podrá tomar hasta un minuto que el aire sea purgado y que el quemador se encienda.

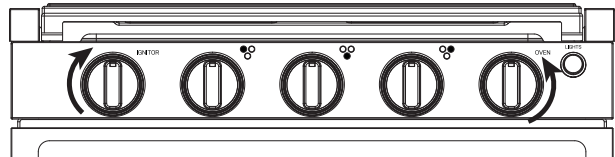
- Es posible que la llama sea amarilla durante unos pocos segundos, pero luego deberá ser azul. Si se observa una llama en su mayoría o completamente amarilla en el quemador, consulte la sección de "Solución de Problemas" o comuníquese con un técnico calificado del servicio.
- Gire la perilla de control del quemador hasta LO (Bajo). Asegúrese de que la llama rodee completamente el quemador. Deberá haber una llama en los puertos del quemador y no haber brecha de aire entre la llama y el quemador. Si el quemador no reúne estos criterios, consulte la sección de "Solución de Problemas" o comuníquese con un técnico calificado del servicio.
- Repita estos pasos para controlar cada quemador.

8. CONTROLE EL QUEMADOR DEL HORNO

- Presione la manija del horno para abrir la puerta.
- Presione y gire la perilla de control del horno en sentido antihorario hasta la posición



- Mantenga la perilla de control del horno presionada y gire la perilla de encendido en sentido horario de forma continua hasta que el piloto del horno se encienda. El piloto del horno se encuentra ubicado en la parte trasera derecha del quemador para hornear, y es visible desde el frente del horno. De haber aire en la tubería de suministro, podrá tomar hasta un minuto que el aire sea purgado y que el quemador se encienda.



- Una vez encendido el piloto del horno, mantenga la perilla de control del horno presionada durante por lo menos 15 segundos hasta que el sensor del piloto del horno esté caliente.
- Libere la perilla de control del horno y visualmente confirme que el piloto del horno se mantiene encendido. Si el piloto del horno se apaga, repita las viñetas 3 y 4.
- Gire la perilla de control del horno hasta cada temperatura e inspeccione la llama del quemador. Si se observa una llama en su mayoría o completamente amarilla, consulte la sección de "Solución de Problemas" o comuníquese con un técnico calificado del servicio.

9. CALIDAD DE LA LLAMA

Las llamas del quemador de la placa de cocción y los quemadores del horno deberán ser azules con puntas amarillas. Las llamas largas de color amarillo brillante no son normales. Las llamas normales podrán mostrar signos de un tinte anaranjado cuando estén bien quemadas, o signos de color anaranjado parpadeante debido a las partículas en el gas o en el aire.



Consejos para Solucionar Problemas... Antes de solicitar el servicio técnico

Problema	Causa Posible/ Solución
Los quemadores de la superficie no se encienden o no se encienden totalmente.	Asegúrese de que las válvulas de suministro de gas y la válvula del tanque de propano estén abiertas.
	Asegúrese de que la perilla sea presionada y ajustada hasta la posición HI (Alto), mientras se gira la perilla de encendido.
	La presión del gas es demasiado baja o demasiado alta.
	Los puertos del quemador o el arrancador están sucios. Consulte sobre las "Cabezas de los Quemadores" en la sección de Cuidado y Limpieza.
El quemador para hornear no se enciende	Asegúrese de que las válvulas de suministro de gas y la válvula del tanque de propano estén abiertas.
	Asegúrese de que la perilla de control sea presionada y ajustada hasta la posición (de la llama), mientras se gira la perilla de encendido. Gire la perilla de encendido hasta que el piloto quede encendido. Mantenga presionada la perilla de control del horno durante por lo menos 15 segundos, a fin de darle tiempo al piloto del horno para que se encienda y para que el sensor del piloto se caliente. De haber aire en la tubería de gas, este proceso podrá tomar hasta un minuto.
	La presión del gas es demasiado baja o demasiado alta.
Las llamas son completamente o en su mayoría amarillas o anaranjadas.	Las llamas normales podrán mostrar signos de un tinte anaranjado cuando estén bien quemadas, o signos de color anaranjado parpadeante debido a las partículas en el gas o en el aire.
	La presión del gas es demasiado baja.
	Los puertos del quemador están sucios. Consulte sobre las "Cabezas de los Quemadores" en la sección de cuidado y limpieza.
La luz de fondo de la perilla no se enciende cuando se presiona el botón de la luz.	Asegúrese de que la unidad se encuentre conectada a 12VDC. Consulte sobre la "Conexión Eléctrica" en las Instrucciones de Instalación.
	Es necesario reemplazar el tablero LED o el interruptor. Comuníquese con GE Appliances para solicitar el servicio técnico.
La luz del horno no se enciende cuando se presiona el botón de la luz.	Asegúrese de que la unidad se encuentre conectada a 12VDC. Consulte sobre la "Conexión Eléctrica" en las Instrucciones de Instalación.
	Es necesario reemplazar el bombillo. Consulte sobre la "Luz del Horno" en la sección de Cuidado y Limpieza.

Garantía Limitada

Para programar el servicio técnico, llame al **866.835.0179**.

Cuando llame para solicitar el servicio, tenga los números de serie y modelo disponibles.

Por el Período de:	GE Appliances Reemplazará:
Dos Años Desde la fecha de la compra original	Cualquier parte de la estufa del vehículo recreativo que falle debido a un defecto en los materiales o la fabricación. Durante esta garantía limitada de dos años, GE Appliances también cubrirá todo el trabajo y el servicio relacionado con el reemplazo de la parte que presente defectos.

Qué No Cubrirá GE Appliances:

- **Instalación, entrega o mantenimiento inadecuados. Si tiene un problema con la instalación, comuníquese con su vendedor o instalador. Usted es responsable de brindar instalaciones de conexiones eléctricas adecuadas.**
- **Falla del producto como resultado de modificaciones sobre el mismo o debido a un uso irrazonable, incluyendo la falta de mantenimiento razonable o necesario.**
- **El trabajo necesario para trasladar la unidad a una ubicación donde esté accesible para que un técnico pueda brindarle el servicio.**
- **Reemplazo de fusibles de la vehículo recreativo o reinicio de disyuntores.**
- **Daños ocasionados sobre el producto por nivel de voltaje inadecuado en el suministro de corriente, accidente, incendio, inundaciones o catástrofes naturales.**
- **Daño causado después de la entrega.**
- **Educación sobre el producto de forma personalizada.**

EXCLUSIÓN DE GARANTÍAS IMPLÍCITAS — Su única y exclusiva alternativa es la reparación del producto, como se indica en esta Garantía Limitada. Las garantías implícitas, incluyendo garantías implícitas de comerciabilidad o conveniencia sobre un propósito particular, se limitan a dos años o al período más corto permitido por la ley.

Esta garantía limitada se extiende al comprador original y a cualquier dueño posterior de productos para vehículos recreativos personales o uso similar dentro de EE.UU. y Canadá. Si el producto se encuentra ubicado en un área donde el servicio de un técnico autorizado para vehículos recreativos no está disponible, se le podrá solicitar que traiga el producto a una ubicación del Servicio Autorizado de GE Appliances para acceder al servicio técnico.

Algunos estados no permiten la exclusión o limitación de daños fortuitos o consecuentes. Esta garantía limitada le da derechos legales específicos y es posible que tenga otros derechos legales que varían entre un estado y otro. Para conocer cuáles son sus derechos legales, consulte a la oficina de asuntos del consumidor local o estatal o al Fiscal de su estado.

**Garante: GE Appliances, a Haier company
Louisville, KY 40225**

Abroche su recibo aquí. Para acceder al servicio técnico de acuerdo con la garantía deberá contar con la prueba de la fecha original de compra.

Soporte al Cliente

Sitio Web de Electrodomésticos de GE Appliances

¿Desea realizar una consulta o necesita ayuda con su electrodoméstico? ¡Intente a través del Sitio Web de Electrodomésticos de GE Appliances las 24 horas del día, cualquier día del año! También puede comprar más productos grandiosos de GE Appliances y sacar ventaja de todos nuestros servicios de apoyo a través de Internet, diseñados para su conveniencia. En EE.UU.: **GEAppliances.com**. En Canadá: **GEAppliances.ca**

Registre su Electrodoméstico

¡Registre su electrodoméstico nuevo a través de Internet, de acuerdo a su conveniencia! Un registro puntual de su producto permitirá una mejor comunicación y un servicio más puntual de acuerdo con los términos de su garantía, en caso de surgir la necesidad. También puede enviar una carta en la tarjeta de inscripción impresa previamente que se incluye con el material embalado.

En EE.UU.: **GEAppliances.com/register**

En Canadá: **geappliances.ca/after-sales-support**

Servicio Programado

El servicio de reparación de expertos de GE Appliances está a sólo un paso de su puerta. Conéctese a través de Internet y programe el servicio a su conveniencia cualquier día del año. En EE.UU.: **GEAppliances.com/service** o llame al 800.432.2737 durante el horario de atención comercial.

En Canadá: **geappliances.ca/after-sales-support** o llame al 800.561.3344.

Piezas y Accesorios

Aquellos individuos calificados para realizar el servicio técnico de sus propios electrodomésticos podrán solicitar el envío de piezas o accesorios directamente a sus hogares (se aceptan las tarjetas VISA, MasterCard y Discover). Ordene a través de Internet las 24 horas del día. En EE.UU.: **GEAppliancesparts.com** o telefónicamente al 877.959.8688 durante el horario de atención comercial.

Las instrucciones que figuran en este manual cubren los procedimientos que serán realizados por cualquier usuario. Otros servicios técnicos generalmente deberán ser derivados a personal calificado del servicio técnico. Se deberá tener cuidado, ya que una reparación indebida podrá hacer que el funcionamiento no sea seguro.

Los clientes de Canadá deberán buscar en las páginas amarillas al distribuidor de piezas del servicio técnico de GE Appliances más cercano; visite nuestro sitio web en **geappliances.ca/parts-filters-accessories** o comuníquese al 800.661.1616.

Contáctenos

Si no se encuentra satisfecho con el servicio que recibió de GE Appliances, comuníquese con nosotros a través de nuestro sitio Web con todos los detalles, incluyendo su número telefónico, o escriba a:

En EE.UU.: General Manager, Customer Relations | GE Appliances, Appliance Park | Louisville, KY 40225

GEAppliances.com/contact

En Canadá: Director, Consumer Relations, MC Commercial Inc. | Suite 310, 1 Factory Lane | Moncton, N.B. E1C 9M3

GEAppliances.ca/contact-us