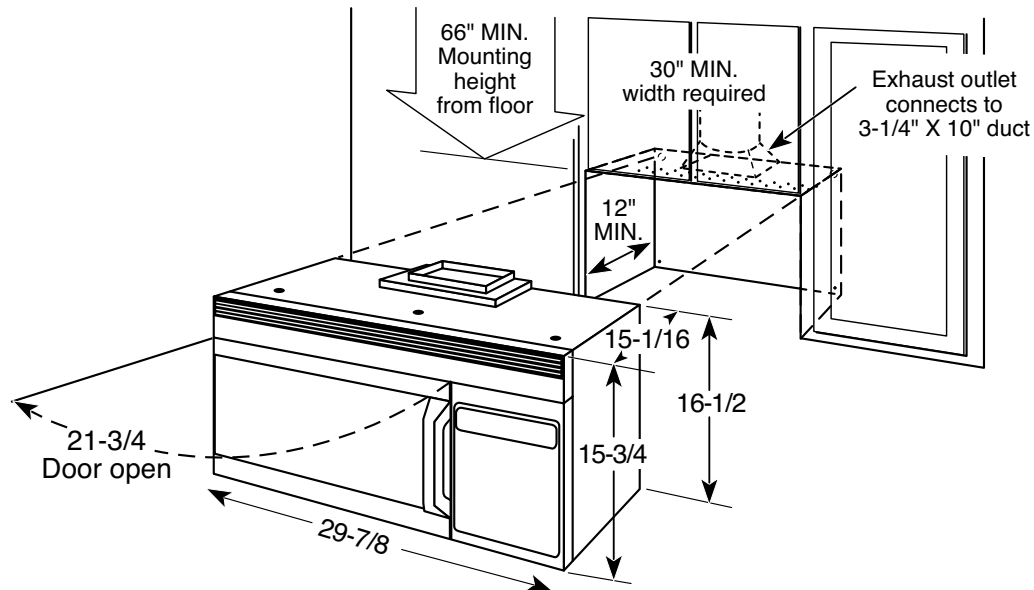


HOTPOINT®

RVM1535MMSA – Hotpoint® 1.5 Cu. Ft. Over-the-Range Microwave Oven

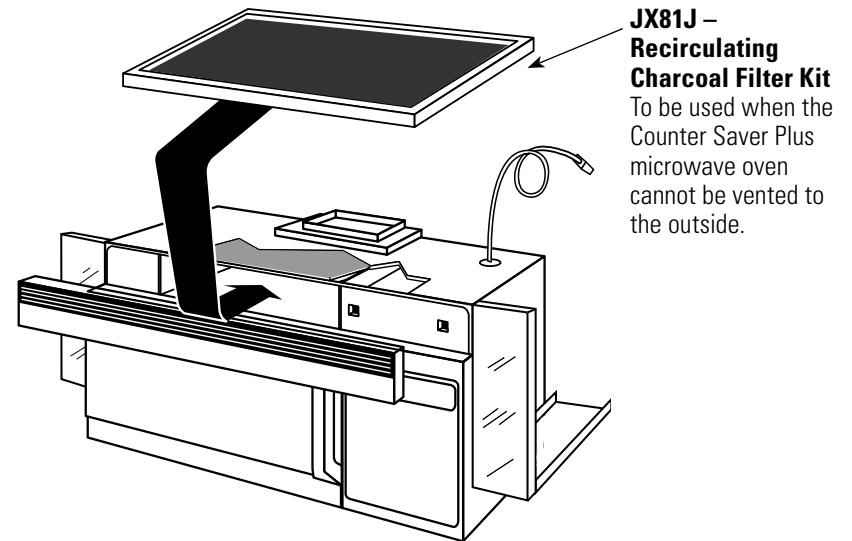
Dimensions (in inches)



Important Information: When installing the microwave oven over a range, allow minimum of 2" from bottom of Counter Saver Plus microwave oven to top of range backguard to allow for removal of light covers.

Installation Information: This information is not intended to be used for installing unit described. Before installing, consult installation instructions packed with product/kit for current dimensional data.

Optional Accessories (Available at additional cost)



Ventilation Options: The microwave oven is designed for adaptation for the following three types of ventilation:

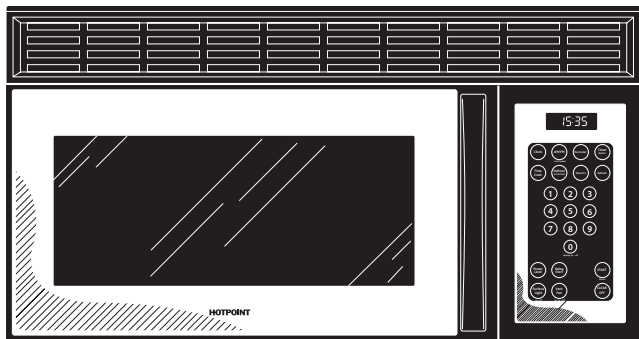
Outside Exhaust (Vertical – Delivered from factory in vertical position)

Outside Exhaust (Horizontal)

Recirculating (Non-vented ductless)

HOTPOINT®

RVM1535MMSA – Hotpoint® 1.5 Cu. Ft. Over-the-Range Microwave Oven



Features and Benefits

- 1.5 cu. ft. Oven Cavity – 950 Watts (IEC-705 test procedure)
- Turntable – Continually rotates food to ensure even cooking
- Convenience Cooking Controls – Allows cooking and reheating at the touch of a button
- Auto and Time Defrost – Automatically defrosts for a specified amount of time
- Time Cook I & II – Allows you to set two time-controlled cooking functions within one program
- Express Cook Pads – A shortcut to set cook times from 1 to 6 minutes
- Two-Speed, 200-CFM Venting System – Quickly removes smoke and steam from the cooktop
- Model RVM1535MMSA – Silver Metallic