

HOTPOINT®

2003 Microwave Ovens



For now. For the long run.

Counter Saver Plus™ Microwave Ovens

Microwave convenience with no loss of usable countertop space

Installs in the same space as a range hood. Counter Saver Plus microwave ovens are equipped with a built-in venting system, an enhanced high-capacity 300-CFM exhaust fan plus Full-View cooktop lighting which illuminates the entire cooking surface. The addition of a Counter Saver Plus microwave oven over your range creates a complete cooking center!



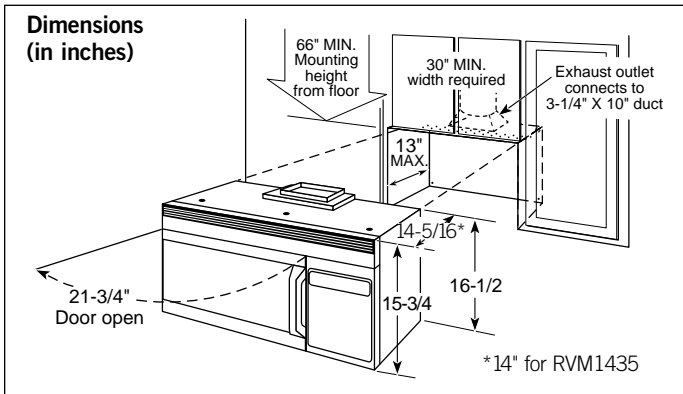
RVM1625BD
● Black on black

RVM1625WD
● White on white (on cover)



RVM1435WD
● White on white

RVM1435BD
● Black on black (not shown)



Important: When installing the Counter Saver Plus microwave oven over a range, allow minimum of 2" from bottom of Counter Saver Plus microwave oven to top of range backguard to allow for removal of light covers.

Optional accessories (Available at additional cost)

	Filler Panel Kit	JX81A-Recirculating Charcoal Filter Kit
RVM1625WD	JX48WH	To be used when the Counter Saver Plus™ microwave oven cannot be vented to the outside.
RVM1625BD	JX48BL	
RVM1435WD	JX40WH/JX46WH	
RVM1435BD	JX41/JX46BL	

When replacing a 36" range hood, this kit fills in the additional width to provide a custom, built-in appearance. For installation between cabinets only; not for end-of-cabinet installation. Each kit contains two, 3"-wide filler panels.

Ventilation options

The Counter Saver Plus™ microwave oven is designed for adaptation to the following three types of ventilation:

- Outside Exhaust** (Vertical)
- Outside Exhaust** (Horizontal)
- Recirculating** (Non-vented ductless—see Filter Kit Drawing)

Note: Before installing, consult installation instructions for current dimensional data on these three types of ventilation.

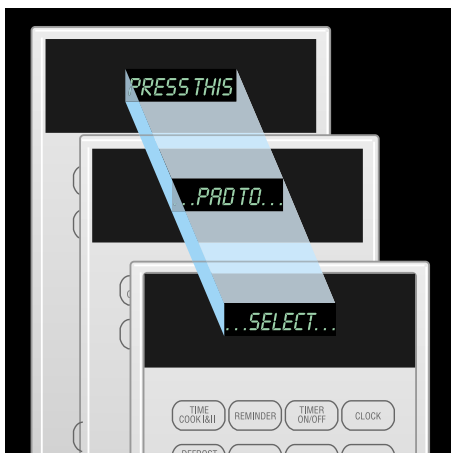
Counter Saver Plus™ Microwave Ovens

The great design of the Counter Saver Plus™ microwave includes both cooktop lighting and powerful venting. Enjoy the convenience of microwave cooking with eye-level controls. Installs directly above your range or cooktop replacing the need for a range hood. Available in Black on black or White on white styling.



1.6 cu. ft. cavity

The largest Hotpoint over-the-range microwave oven ever. It accommodates large casserole dishes for your cooking convenience.



Interactive Display System

Easy-to-read horizontal scrolling display is designed to make cooking easier, and give you the flexibility of programming several functions at once.



Turntable

The turntable rotates the dish constantly for even and thorough cooking.

1000 watts

Powerful 1000 watts† of microwave output for fast cooking and reheating.

Auto/Time Defrost

Permits defrosting a variety of foods in minutes instead of hours. Automatically sets defrosting time and power level. Enter food weight and the oven does the rest.

Time Cook I & II

Allows you to set two time controlled cooking functions within one program.

Express Cook pads

A shortcut to set cook times from 1 to 6 minutes. Automatically cooks at full power with the touch of one pad.

10 power levels

A choice of 10 power levels for maximum cooking flexibility, from warming and reheating, to the full speed of microwave cooking at high power.

Reheat

Offers the flexibility of automatically reheating a variety of popular foods from a cup of coffee to a plate of leftovers.

Popcorn

Designed for today's popular pre-packaged popcorn. Now for use with three sizes, 3.5, 3.0 and 1.75 oz., maximizes popping without scorching.

Instant On controls

Easy, one-step features. Simply press the desired function and the oven automatically begins to cook. No need to press START.

Full-View cooktop lighting

Provides better distribution of light over the entire cooking surface.

	RVM1625WD RVM1625BD	RVM1435WD RVM1435BD
Features		
Oven cavity (cu. ft.)	1.6	1.4
Watts (IEC-705 Test Procedure)	1000	950
Door color	White Black	White Black
Case color	White Black	White Black
Power levels	10	10
Electronic touch controls	●	●
Interactive display system	●	●
Electronic scrolling digital display	●	●
Clock and AM/PM Pad	●	●
Variable scroll speed	●	●
Concurrent programming	●	●
Display On/Off	●	●
Turntable	●	●
Time Cook	I & II	I & II
Auto/Time Defrost	●	●
Popcorn pad	●	●
Reheat pad	●	●
Express cook pads (1-6 minutes)	●	●
Instant On controls	●	●
Cooking complete reminder	●	●
Delay Start/Reminder	●/●	●/—
Timer On/Off	●	●
Child lock out	●	●
Full-View cooktop lighting	●	●
High-capacity exhaust fan	300-CFM	300-CFM
Easy mount installation	●	●
2450 Frequency (MHz)	●	●
Electrical input@120V	Watts 1480	1480
	Amps 15	15
Warranty*	1-Yr. In-Home	1-Yr. In-Home
Limited four-year magnetron warranty* (5 years total)	●	●
Dimensions	Cavity 20-1/4 x 9-9/32 x 14-13/32	19-5/16 x 9-5/16 x 13-3/16
WxHxD (in inches)	Exterior 29-7/8 x 16-15/32 x 15-1/16	29-7/8 x 15-7/8 x 14-5/16
Approx. shipping weight (lbs.)	67	73

*Full One-Year Warranty

In-home parts and labor included. Plus additional four-year limited warranty on magnetron tube (parts only). See written warranty for details.



Listed by Underwriters Laboratories

†IEC-705 Test Procedure

Not all features available on all models.

Consumer Services

Hotpoint® microwave ovens combine the convenience of one-touch cooking with spacesaving design.



Popcorn

Designed for today's popular prepackaged popcorn, this setting maximizes popping without scorching. Now for use with three sizes: 3.5 oz., 3.0 oz. and 1.75 oz.



300-CFM venting system

Powerful 300-CFM venting system quickly removes smoke and steam from your cooktop.



Auto/Time Defrost

Time and power levels are preset according to food type and weight allowing faster defrosting.

Not all features available on all models.

Visit us at hotpoint.com



We're surfer-friendly!

Completely comprehensive, this site provides you with virtually everything you need to know about Hotpoint® appliances, parts, accessories and service. And, it's also surfer-friendly, so your searches won't be endless—they'll be effortless!

Hotpoint has a policy of continuous improvement on its products and reserves the right to change materials and specifications without notice.



The GE Answer Center® Information Service 800.626.2000. (GEAppliances.com)

Questions? Call any time.

Before or after you buy any GE or Hotpoint appliance, ask us about the features, product comparisons, pricing and where to find it. Call us any time. We never close.

Industry-leading support—

GE Genuine Parts 800.626.2002.

Enhance, upgrade or fix it. Check out our accessories!

Accessories can make great GE or Hotpoint products even better. Replacement parts for GE, Hotpoint and most other brands, too. Fast delivery, convenient, direct.

GE Appliance Service 800.432.2737 (800.GE.CARES)

Same day or next day service.

If you ever need product service, we'll come where and when you want—at your convenience. We're the largest manufacturer-owned service organization in the appliance industry. Same or next day service in most cases.

HOTPOINT®

Appliance Park, Louisville, Kentucky 40225