

GTWN5650F

GE® 3.8 DOE cu. ft. capacity washer with stainless steel basket

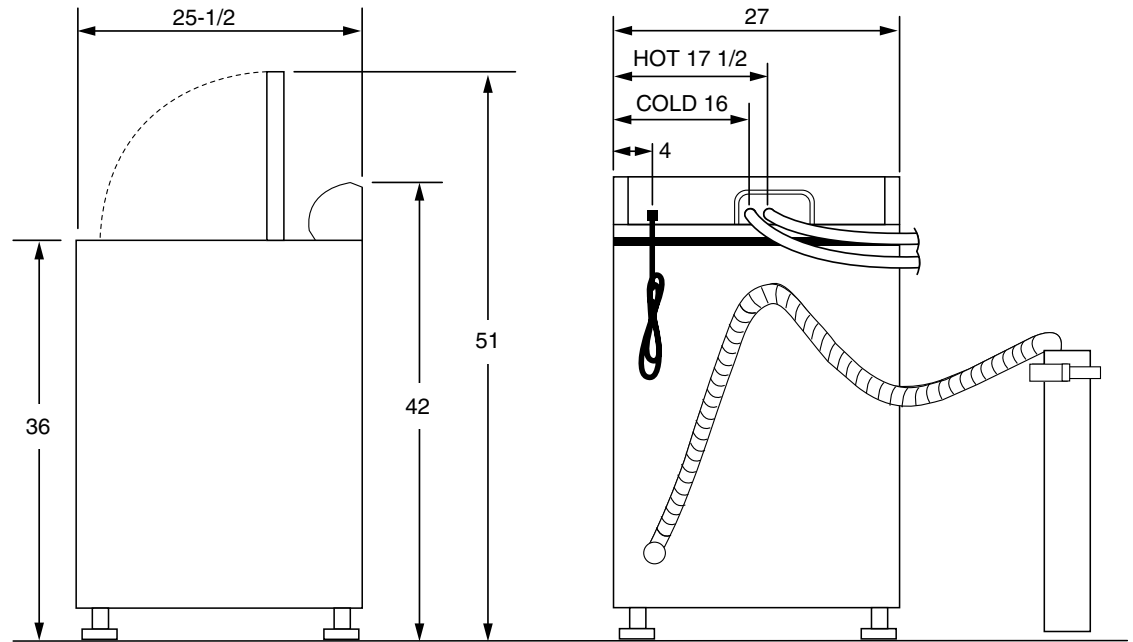
Dimensions and Installation Information (in inches)

Circuit Requirements: An individual, properly-grounded branch circuit, with a three-prong grounding-type receptacle, protected by a 15 or 20 amp circuit breaker or a time-delay fuse, is required.

Electrical Rating: 120V, 60Hz, 10A

Note: Washer wall outlet must be located within 36" of service code entry. Wall outlet must not be located behind dryer.

Installation Information: Before installing, consult installation instructions packed with product for current dimensional data.



Side View

Rear View

For answers to your Monogram® Cafe™ Series, Profile™ Series or GE® appliance questions, visit our website at geappliances.com or call GE Answer Center® service, 800.626.2000.

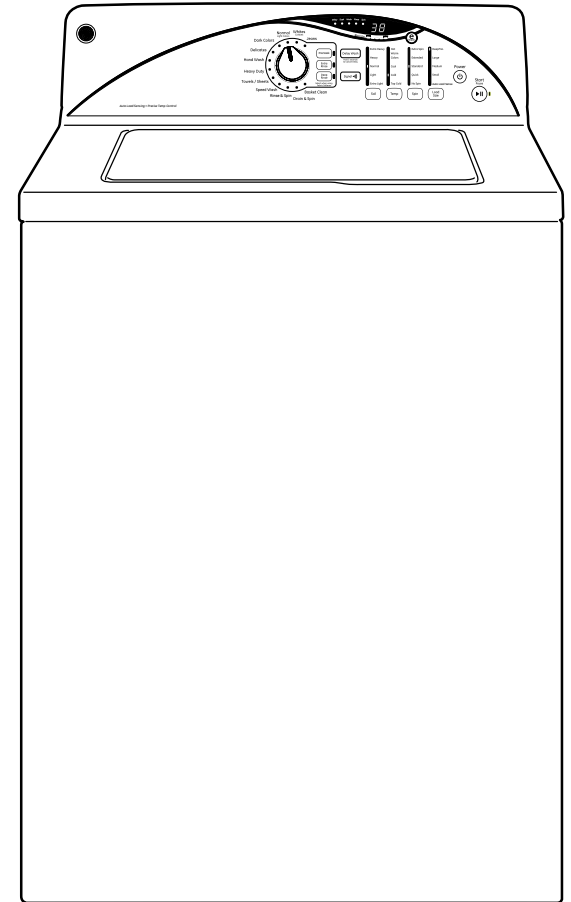


GTWN5650F

GE® 3.8 DOE cu. ft. capacity washer with stainless steel basket

Features and Benefits

- Optional deep rinse - When selected, optional deep rinse cycle ensure clothes are rinsed of soap residue and fabric softener
- Quiet agitator wash system - Get great cleaning results with the agitator system that uses variable-speed technology to tailor the wash action to specific clothing types
- LED electronic controls with cycle countdown display - Show exactly how much time is left for each cycle
- eWash Cold Wash Technology - Energy-saving option uses a cold water wash on select cycles without sacrificing performance
- eMonitor - Get the energy-saving insight you need to reduce your utility bills with an electronic readout that show the efficiency level of each load
- 20 Wash Cycles - Handle various fabrics and soils
- Model GTWN5650FWS – White with silver backslash



Modified Energy Factor (iMEF)*	1.5
Water Factor (iWF)*	5.5

*Certified by 10CFR-430 appendix J1



GE APPLIANCES