

# UVW93642P

## 36" Smart Designer Wall Mount Hood

### DIMENSIONS AND INSTALLATION INFORMATION (IN INCHES)

#### INSTALLATION INFORMATION:

Before installing, consult Use & Care/installation instructions packed with product for current dimensional data.

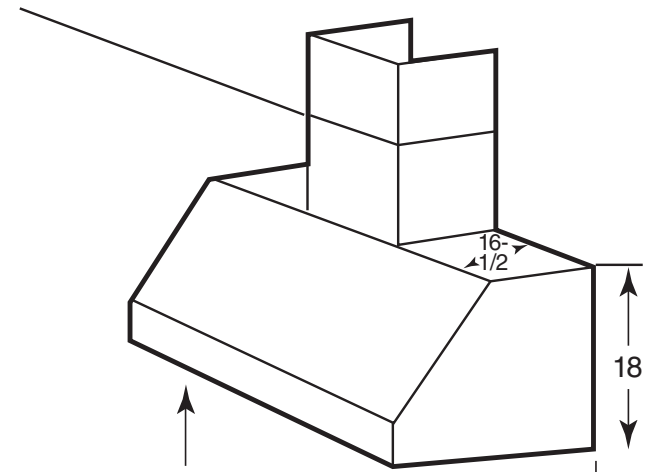
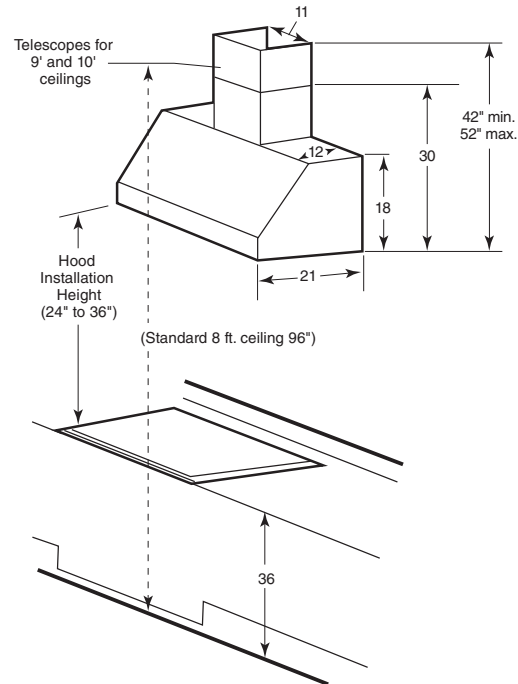
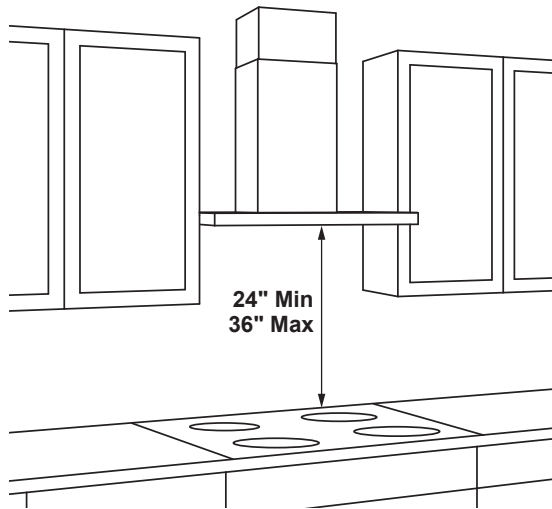
#### OPTIONAL ACCESSORIES

CX8DC9SPSS – 8 (ft.) High Ceiling Duct Cover Kit

CX10DC9SPSS – 10 (ft.) High Ceiling Duct Cover Kit

CX12DC9SPSS – 12 (ft.) High Ceiling Duct Cover Kit

AMP RATING	
120V	TBD



For answers to your Monogram, GE Cafe™, GE Profile™ or GE Appliances product questions, visit our website at [geappliances.com](http://geappliances.com) or call GE Answer Center® Service, 800.626.2000.



Specification Revised 7/21

# UVW93642P

## *36" Smart Designer Wall Mount Hood*

### **FEATURES AND BENEFITS**

590 CFM Range Hood – Get powerful ventilation that removes smoke, grease, odors and moisture from the air.

QuietBoost™ – This high performance exhaust technology keeps the canopy hood quiet as soon as you turn it on.

LED Hood Light – Get a bright view of your cooktop as you prepare your favorite meals with LED lighting in this range hood.

4-Speed Fan – Have strong ventilation at four fan speeds that you can adjust to match your cooking techniques.

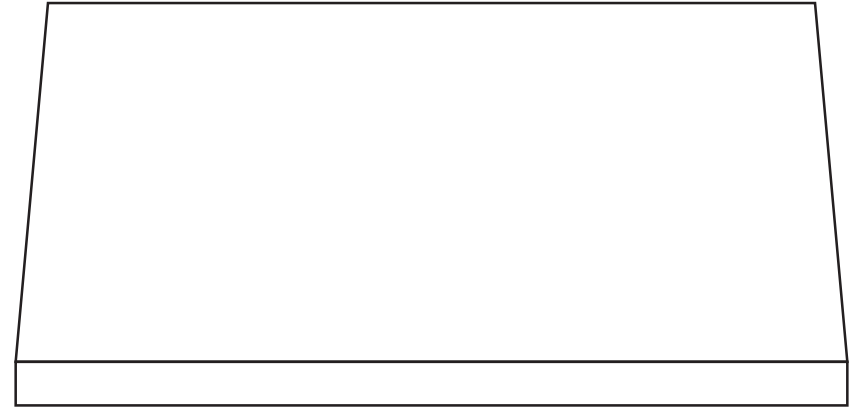
Built-In WiFi – This smart range hood lets you adjust vent speed and turn on lights using your phone, for the ultimate in kitchen convenience.

Removable Filter – This removable range hood filter is easy to take out and wash, so grease and odors are always removed from the kitchen air.

Baffle Filters – The baffle filters in this range hood trap more grease and require less frequent cleaning than standard filters.

No Duct Cover – Without a duct cover you create the look of a floating hood and allow for multiple installation options.

Model UVW93642PSS – Stainless steel



*For answers to your Monogram, GE Café™ Series, GE Profile™ Series or GE Appliances product questions, visit our website at [geappliances.com](http://geappliances.com) or call GE Answer Center® Service, 800.626.2000.*