

Installation Instructions

If you have questions, call 800.626.2000 or visit our website at: www.monogram.com

Side by Side Refrigerators

Design Guide
With Installation Instructions



Monogram.[®]

Safety Information

BEFORE YOU BEGIN

Read these instructions completely and carefully.

- **IMPORTANT** – Save these instructions for local inspector’s use. Observe all governing codes and ordinances.
- **Note to Installer** – Be sure to leave these instructions with the Consumer.
- **Note to Consumer** – Keep these instructions with your Owner’s Manual for future reference.

WARNING:

This appliance must be properly grounded. See “Grounding the Refrigerator,” page 10.

AVERTISSEMENT

Cet appareil doit être correctement mis à la terre. Consulter « Mise à la terre du réfrigérateur », page 10.

If you received a damaged refrigerator, you should immediately contact your dealer or builder.

CAUTION:

Due to the weight and size of this refrigerator, and to reduce the risk of personal injury or damage to the product – **THREE PEOPLE ARE REQUIRED FOR PROPER INSTALLATION OF A 36" WIDE UNIT. FOUR PEOPLE ARE REQUIRED FOR INSTALLATION OF A 42" OR 48" WIDE MODEL.**

PRUDENCE

À cause du poids et de la taille de ce réfrigérateur et pour réduire le risque de blessure et de dommages, **IL FAUT TROIS PERSONNES POUR INSTALLER CORRECTEMENT D’UN APPAREIL DE 91 cm (36 po) DE LARGE. IL FAUT QUATRE PERSONNES POUR L’INSTALLATION D’UN MODÈLE DE 107 OU 122 cm (42 OU 48 po) DE LARGE.**

Skill Level – Installation of this refrigerator requires basic mechanical, carpentry and plumbing skills. Proper installation is the responsibility of the installer. Product failure due to improper installation is not covered under the GE Appliance Warranty. See the Owner’s Manual for warranty information.

WARNING:

- These refrigerators are top-heavy and must be secured to prevent the possibility of tipping forward. Anti-Tip protection is required. See page 12 for details.
- Use this appliance only for its intended purpose.
- Immediately repair or replace electric service cords that become frayed or damaged.
- Unplug the refrigerator before cleaning or making repairs.
- Repairs should be made by a qualified service technician.

AVERTISSEMENT

- Ces réfrigérateurs sont lourds en haut et il faut les arrimer pour éviter leur basculement. Il faut avoir un système de protection contre le renversement. Voir les détails page 12.
- Il ne faut utiliser cet appareil que pour l’utilisation appropriée.
- Réparer ou remplacer immédiatement tout cordon électrique effiloché ou endommagé.
- Il faut débrancher le réfrigérateur avant le nettoyage ou toute intervention.
- Les réparations doivent être faites par un technicien qualifié.

For Monogram local service in your area, call 1.800.444.1845.

For Monogram service in Canada, call 1.888.880.3030

For Monogram Parts and Accessories, call 1.800.626.2002.

www.monogram.com

CONTENTS

Planning Guide

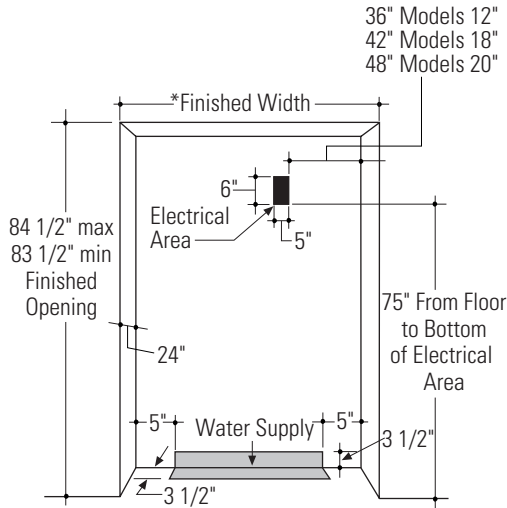
The Installation Space	3
Dimensions and Clearances	3
130° Door Swing	4
90° Door Swing	5
Customization Basics	6
1/4" Framed Panel Dimensions	7
3/4" Overlay Panel Dimensions	8
Raised Overlay Panel Design	9
Side Panels.....	10

Installation Instructions

Tools, Hardware, Materials	10	Step 8, Adjust Door Swing	14
Grounding the Refrigerator	10	Step 9, Install Grille Panel	14
Step 1, Remove Packaging	11	Step 10, Install Framed Panels	15
Step 2, Install Water Line	11	Step 10A, Install Overlay Panels	16–17
Step 2A, RO Water Line	12	Step 11, Install Dispenser Trim	18
Step 3, Install Side Panels	12	Step 12, Connect Water Supply	18
Step 4, Install Anti-Tip Brackets	12	Step 13, Connect Power	19
Step 5, Level Refrigerator	13	Step 14, Start Icemaker	19
Step 6, Alternate Anti-Tip Procedure	13	Step 15, Install Toekick	19
Step 7, Secure Refrigerator to Cabinetry ..	14		

Design Guide

THE INSTALLATION SPACE



*The finished cutout width must be:

- 35-1/2" for 36" models
- 41-1/2" for 42" models
- 47-1/2" for 48" models

Water And Electrical Locations

The opening must be prepared with the electrical and water supply located as shown.

The cutout depth must be 24"

The refrigerator will project forward, slightly beyond adjacent cabinetry, depending on your installation.

Cutout depth beneath a soffit:

When installed beneath a soffit, the soffit cannot exceed the 24" installation depth shown. The top case trim overlaps the bottom of the soffit.

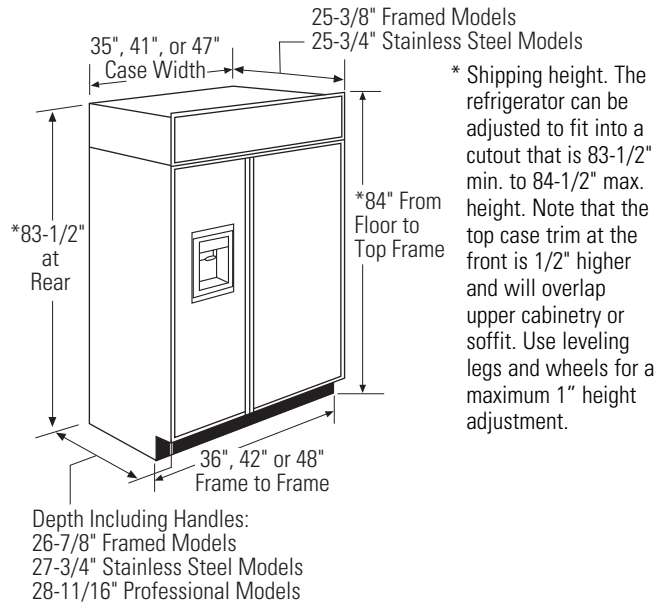
Additional Specifications

- A 115 volt 60Hz., 15 or 20 amp power supply is required. An individual properly grounded branch circuit or circuit breaker is recommended. Install a properly grounded 3-prong electrical receptacle recessed into the back wall. Electrical must be located on rear wall as shown.

NOTE: GFI (ground fault interrupter) is not recommended.

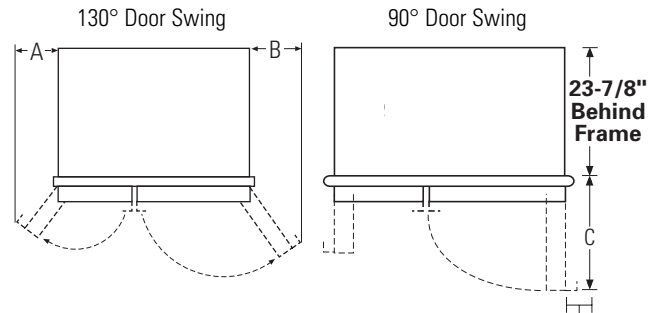
- Water line can enter the opening through the floor or back wall. The water line should be 1/4" O.D. copper tubing or GE SmartConnect™ kit between the cold water line and water connection location, long enough to extend to the front of the refrigerator. Installation of an easily accessible shut off valve in the water line is required.

DIMENSIONS AND CLEARANCES



Product Clearances

These refrigerators are equipped with a 2 position door stop. The factory set 130° door swing can be adjusted to 90° if clearance to adjacent cabinets or walls is restricted.



Models	A	B	C
36"	13"	15"	20-5/8"
42"	13"	19"	26-5/8"
48"	15"	20"	28-5/8"

*Min. Distance to Wall

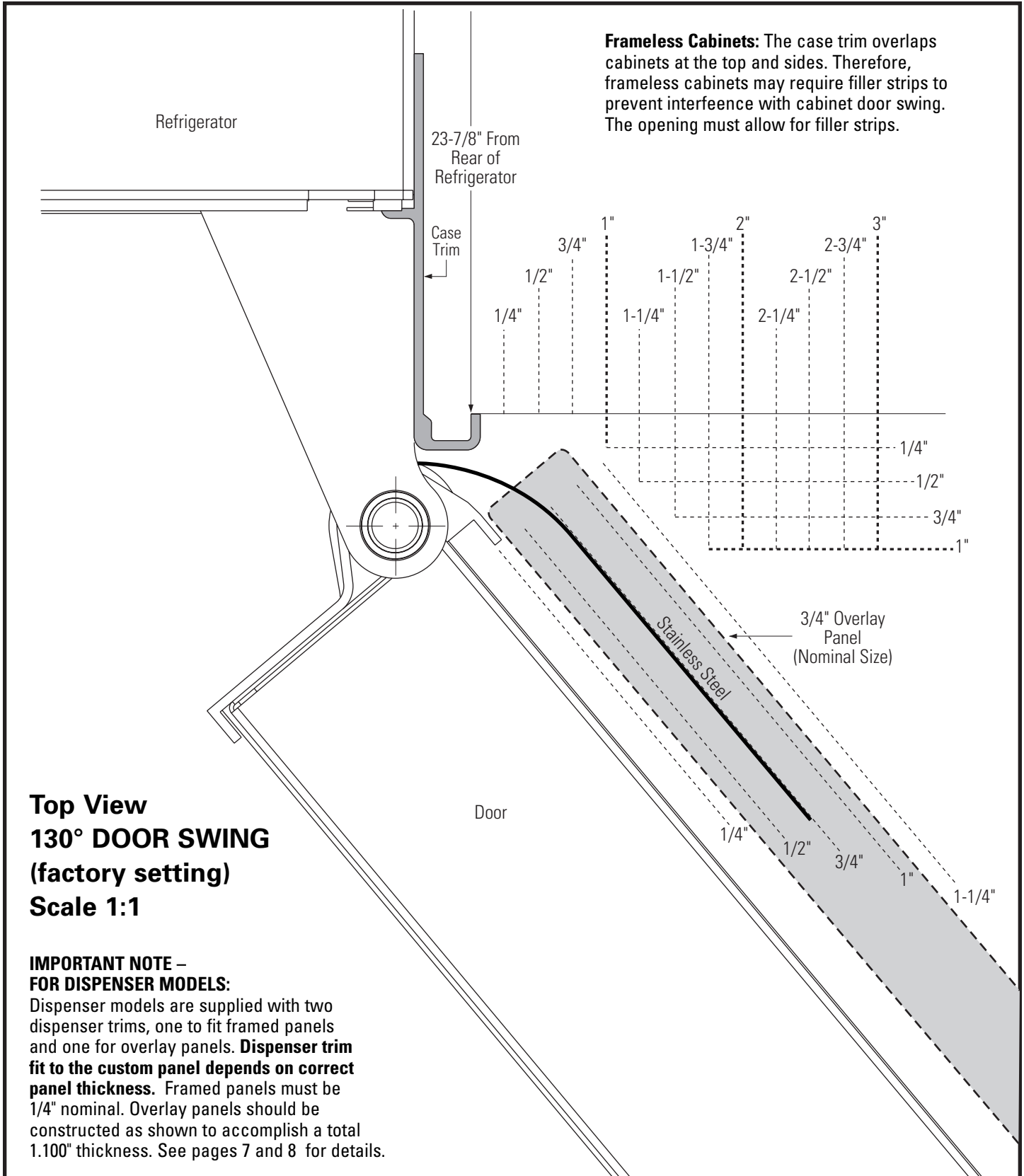
*4" Stainless and Trimmed Models.
5" Pro Series

Allow minimum clearances for freezer door (Dimension A) and fresh food door (Dimension B) for a full 130° door swing and to allow for pan removal.

For a 90° door swing, allow 4" min. clearance to a wall, for framed and stainless steel models. Allow 5" min. clearance for professional series models. If the 90° door stop position is used, pan access is maintained, but pan removal is restricted.

See illustrations pages 4 and 5 to determine door swing interaction with adjacent cabinets or countertops.

Design Guide

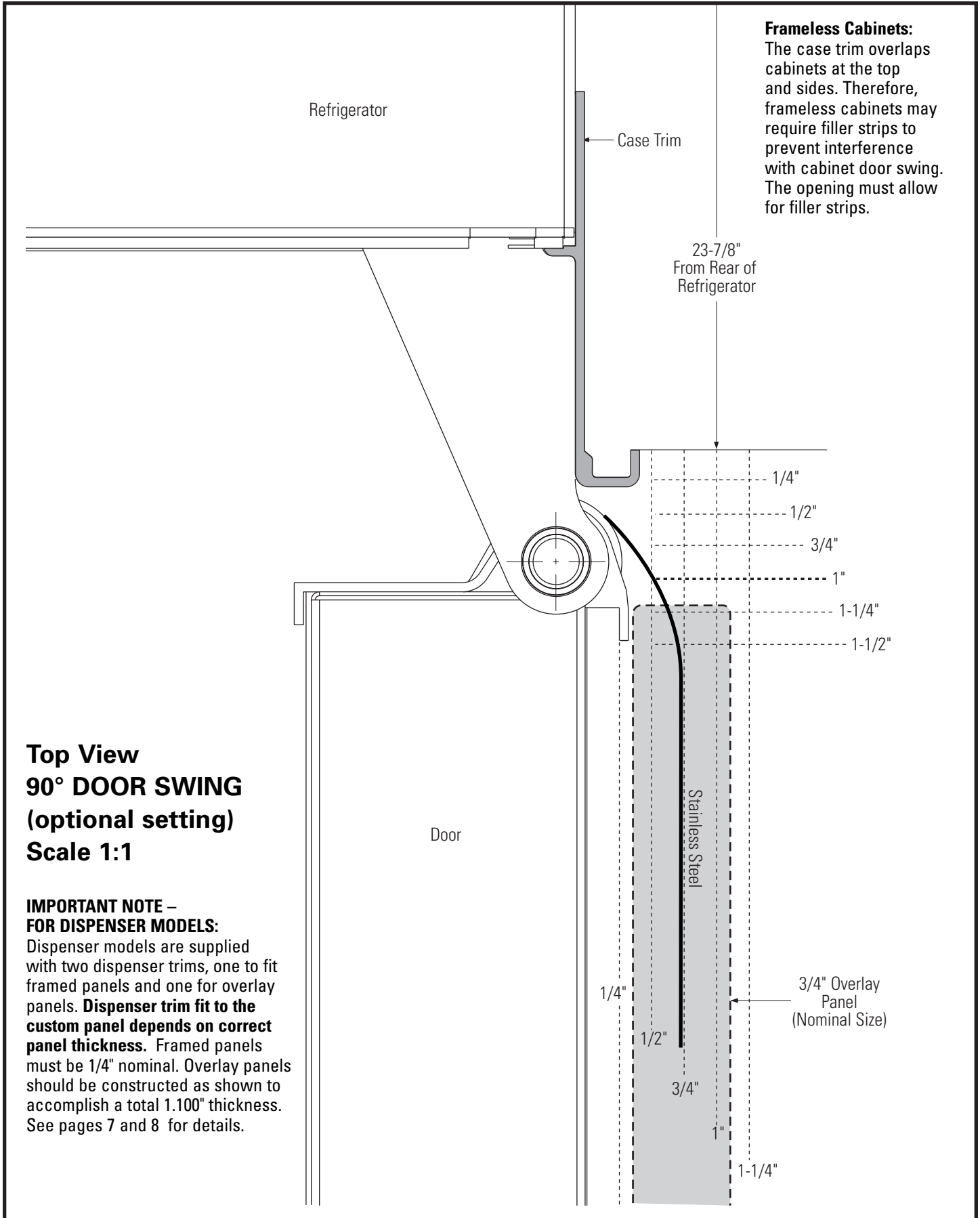


Top View
130° DOOR SWING
(factory setting)
Scale 1:1

**IMPORTANT NOTE –
 FOR DISPENSER MODELS:**

Dispenser models are supplied with two dispenser trims, one to fit framed panels and one for overlay panels. **Dispenser trim fit to the custom panel depends on correct panel thickness.** Framed panels must be 1/4" nominal. Overlay panels should be constructed as shown to accomplish a total 1.100" thickness. See pages 7 and 8 for details.

Design Guide



Frameless Cabinets:
 The case trim overlaps cabinets at the top and sides. Therefore, frameless cabinets may require filler strips to prevent interference with cabinet door swing. The opening must allow for filler strips.

Top View
90° DOOR SWING
(optional setting)
Scale 1:1

IMPORTANT NOTE – FOR DISPENSER MODELS:
 Dispenser models are supplied with two dispenser trims, one to fit framed panels and one for overlay panels. **Dispenser trim fit to the custom panel depends on correct panel thickness.** Framed panels must be 1/4" nominal. Overlay panels should be constructed as shown to accomplish a total 1.100" thickness. See pages 7 and 8 for details.

Design Guide

CUSTOMIZATION BASICS:

Framed Or Overlay Panels, Custom Handles and Accessory Kits

Professional Style Stainless Steel Refrigerators

Stainless steel wrapped refrigerators have beveled edges and professional style handles. These models are shipped ready for installation.

Stainless Steel Wrapped Refrigerators

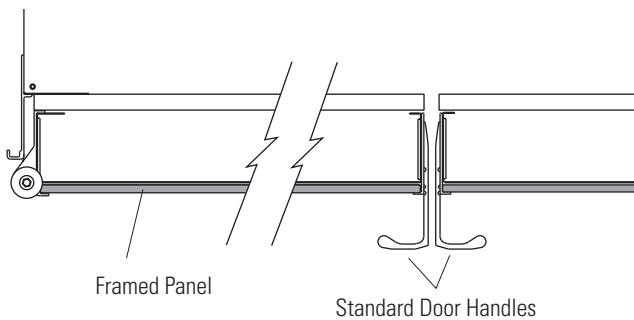
Stainless Steel wrapped refrigerators have wrapped doors and grille panel, beveled edges, and tubular stainless steel handles that coordinate with other Monogram appliances. These models are shipped ready for installation.

Trimmed Refrigerators

Trimmed refrigerators are designed to be customized with decorative panels. Field installed custom door and grille panels are required.

Framed panels

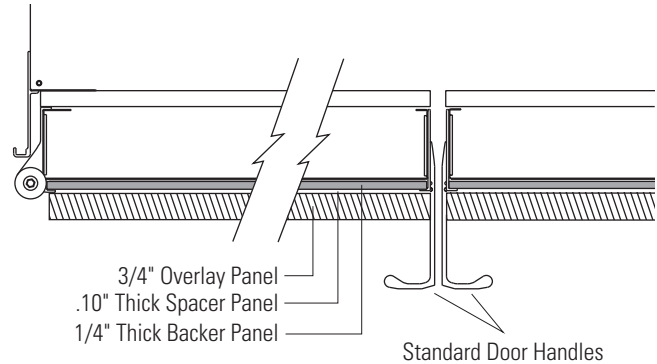
You may install 1/4" thick custom panels from your cabinet manufacturer. The decorative panel slides into the factory installed trim. Or, order black, white and stainless steel accessory panels from your Monogram dealer.



Standard supplied handles shown in 1/4" panel position.

Overlay panels

You may also choose to install custom overlay panels from your cabinet manufacturer. This design provides a seamless appearance which integrates smoothly with surrounding cabinetry.



Standard supplied handles shown in 3/4" overlay panel position.

Door Handles

The standard supplied handles can be adjusted to accommodate both framed or overlay panels. Custom handles of your choice, supplied by your cabinet maker can also be installed on 3/4" overlay panels. If desired, you may order ZKHSS2 Monogram stainless steel tubular handle kit for 3/4" overlay panels.

Side Panels

Side panels must be used whenever the sides of the refrigerator will be exposed.

Optional Accessory Kits

ZKHSS2: Monogram Tubular Stainless Steel handles designed to fit 3/4" overlay panels.

Accessory Panels

Black and stainless steel accessory panels are available from your Monogram dealer. Panels are cut to size and ready to install.

Models	Black Acrylic	Stainless Steel
ZISW480D		ZPS480D
ZISB480D	ZPB480D	ZPS480D
ZIS480N	ZPB480N	ZPS480N
ZISW420D		ZPS420D
ZISB420D	ZPB420D	ZPS420D
ZIS420N	ZPB420N	ZPS420N
ZISW360D		ZPS360D
ZISB360D	ZPB360D	ZPS360D
ZIS360N	ZPB360N	ZPS360N

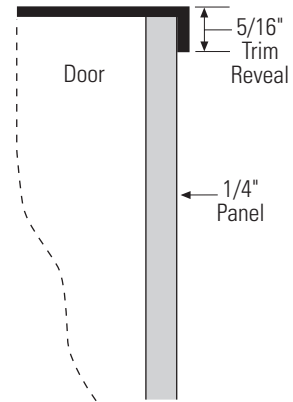
Design Guide

1/4" FRAMED PANEL DIMENSIONS

If you choose to install framed panels, they must be cut to the dimensions shown. The panels will slide into the frame on the door and grille.

Non-Dispenser Models

If the custom panel is less than 1/4" thick and it fits loosely in the door frame it can be backed up with a piece of filler material or foam tape to improve the fit.



IMPORTANT NOTE: Maximum total panel weight:

- Fresh food door panel – 75 lbs.
- Freezer door panel – 53 lbs.
- Grille Panel – 18 lbs.

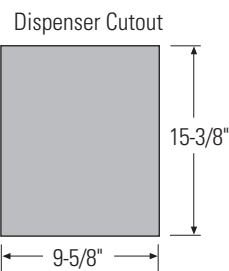
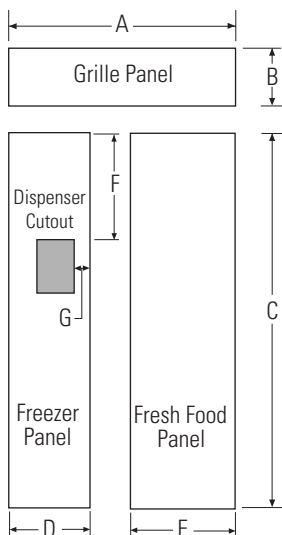
IMPORTANT NOTE – DISPENSER MODELS

The refrigerator is supplied with two dispenser trims, one for framed panels and one for overlay panels.

- If the panel is less than 0.250" thick a noticeable gap may be created around the dispenser trim. Foam tape may be applied on the door to improve the fit.

- If the panel is more than 0.250" thick, the dispenser trim cannot be secured to the door.

See **Dispenser Trim Fit Example**, page 9.



The framed panel must be 1/4" nominal thickness to fit the dispenser trim.

Side-by-Side (in inches)

	Dispenser Cutout Position						
	A	B	C	D	E	F	G
36" Models	33-7/8	9	68-3/8	14-9/16	18-9/16	17-13/16	3-1/8
42" Models	39-7/8	9-1/2	68-3/8	14-9/16	24-9/16	17-13/16	3-1/8
48" Models	45-7/8	9-1/2	68-3/8	18-9/16	26-9/16	17-13/16	5-1/8

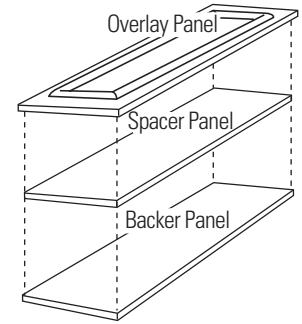
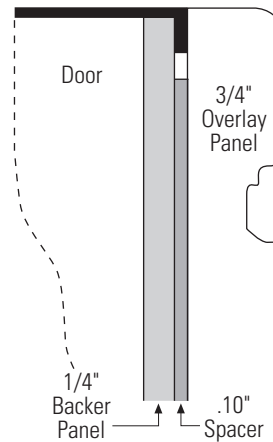
Design Guide

3/4" OVERLAY PANEL DIMENSIONS

For a more custom appearance, overlay panels may be installed on trimmed models. The overlay panel must be secured to a 1/4" thick backer panel which slides into the trim. A spacer panel 0.10" thick must be placed between the overlay and backer panel.

Assemble the panels with glue and screws.

- Center the spacer panel on the backer panel, left to right and top to bottom. Secure the panels with glue.
- Center the spacer and backer panel on the overlay panel and secure with glue and screws. Screws must be countersunk into the backer panel.



NOTE: Left-to-right offset is not always equal to top-to-bottom offset.

$$.250" + .10" + .750" = 1.100" \text{ Total Panel Thickness}$$

IMPORTANT NOTE – DISPENSER MODELS

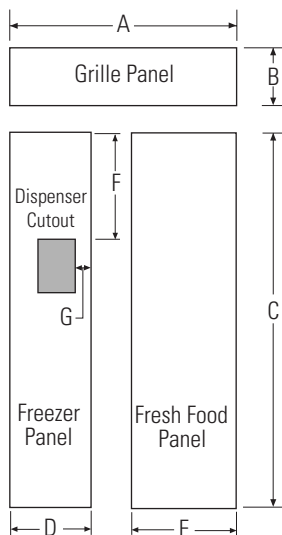
The refrigerator is supplied with two dispenser trims, one for framed panels and one for overlay panels. The overlay dispenser trim is designed to fit a total panel thickness of 1.100".

- If the panel is less than 1.100" a noticeable gap may be created around the dispenser trim.
- If the panel is more than 1.100" the dispenser trim cannot be secured to the door.

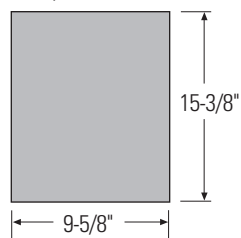
See **Dispenser Trim Fit Example**, page 9.

- The overlay panel must be constructed according to the specifications shown to achieve the correct total thickness.
- Alternative panel construction methods such as securing a 3/4" panel to a 1/4" backer panel cannot be used. Another method, routing a 3/4" thick panel on all sides cannot be used. These methods will not result in the required 1.100" panel thickness.

When a raised panel design is to be used, a custom middle rail is required. See page 9 for details.



Dispenser Cutout



*Cut the dispenser opening after the backer, spacer and overlay panels have been assembled.

IMPORTANT NOTE: Maximum total weight for the assembled panels:

- Fresh food door panel – 75 lbs.
- Freezer door panel – 53 lbs.
- Grille Panel – 18 lbs.

36" Side-by-Side (in inches)

	A	B	C	D	E	*Dispenser Cutout Position	
	A	B	C	D	E	F	G
1/4" Backer Panel	33-7/8	9	68-3/8	14-9/16	18-9/16		
.10" Spacer Panel	33	8-3/8	67	13-1/4	17-1/4		
3/4" Overlay Panel	34-1/8	9-1/4	68-5/8	14-13/16	18-13/16	17-15/16	3-1/4

42" Side-by-Side (in inches)

	A	B	C	D	E	*Dispenser Cutout Position	
	A	B	C	D	E	F	G
1/4" Backer Panel	39-7/8	9-1/2	68-3/8	14-9/16	24-9/16		
.10" Spacer Panel	39	8-5/8	67	13-1/4	23-1/4		
3/4" Overlay Panel	40-1/8	9-3/4	68-5/8	14-13/16	24-13/16	17-15/16	3-1/4

48" Side-by-Side (in inches)

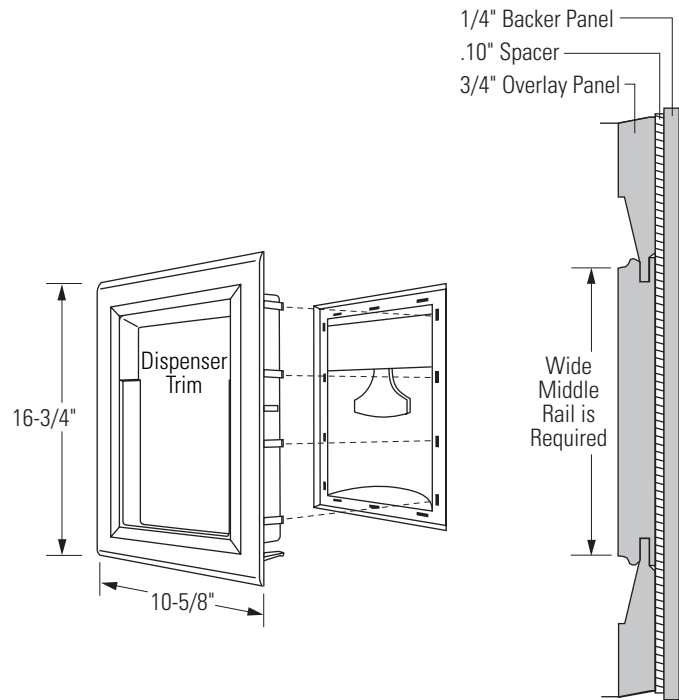
	A	B	C	D	E	*Dispenser Cutout Position	
	A	B	C	D	E	F	G
1/4" Backer Panel	45-7/8	9-1/2	68-3/8	18-9/16	26-9/16		
.10" Spacer Panel	45	8-5/8	67	17-1/4	25-1/4		
3/4" Overlay Panel	46-1/8	9-3/4	68-5/8	18-13/16	26-13/16	17-15/16	5-1/4

Design Guide

DISPENSER MODELS: RAISED OVERLAY PANEL DESIGN

When a raised panel design is to be used, a custom wide middle rail is required to accept the dispenser trim.

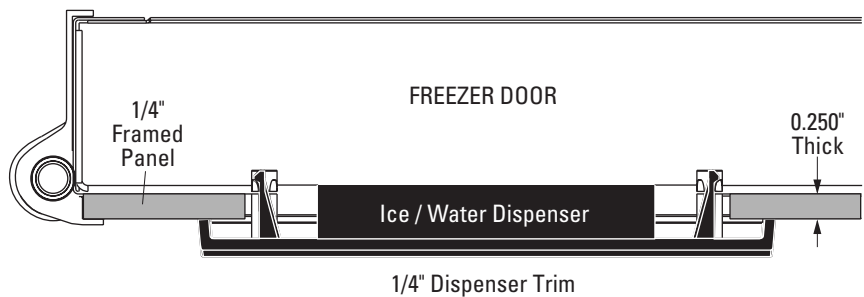
- The middle rail must be wide enough to allow for the dispenser trim to overlap the opening.
- The middle rail must be 1.100" total thickness to accept the dispenser trim.



DISPENSER TRIM FIT EXAMPLES: (NOT TO SCALE)

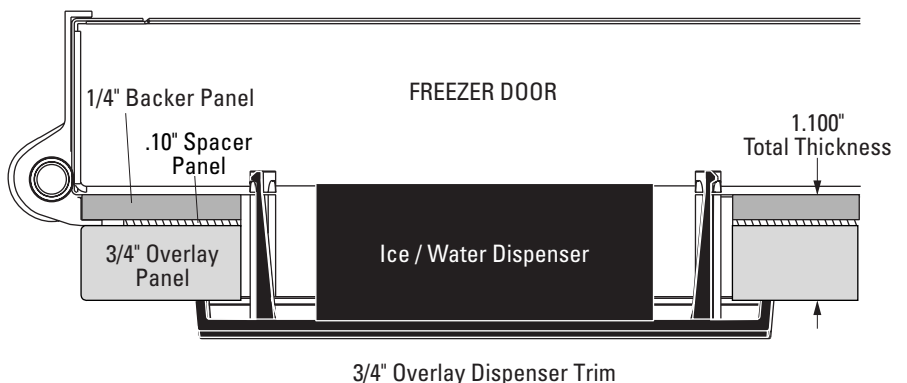
1/4" FRAMED PANEL

- The dispenser trim fits over the custom panel and snaps into the freezer door.
- The clips will not engage the door if the panel is more than 0.250" thick.
- If the panel is less than 0.250" thick, a noticeable gap may be created around the dispenser trim.



3/4" OVERLAY PANEL

- The dispenser trim fits over the custom panel and snaps into the freezer door.
- The clips will not engage the door if the panel is more than 1.100" thick.
- If the panel is less than 1.100" thick, a noticeable gap may be created around the dispenser trim.

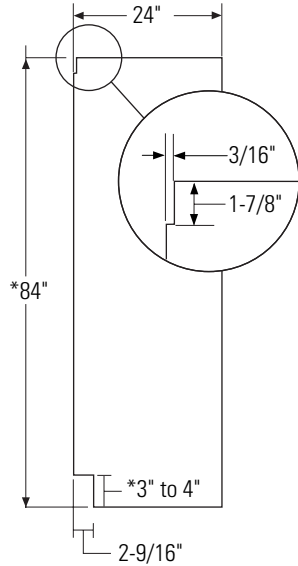


Design Guide

SIDE PANELS

Side panels must be used whenever the sides of the refrigerator will be exposed. The 1/4" side panels will slip into the side case trim. Secure the panels to the refrigerator with stick-on hook and loop fastener strips. Order the side panels from the cabinet manufacturer.

- Cut a notch in the top front corner as shown to allow clearance for corner keys in the front side trim.



TOOLS REQUIRED

- Tinsnips to cut banding
- Stepladder
- Bucket
- Level
- Appliance Hand Truck
- Tubing cutter
- 7/16" open-end wrench
- #2 Phillips screwdriver
- Drill and appropriate bits
- 5/16", 7/16" socket
- Safety glasses
- 1-1/4" open end wrench
- Pliers
- 1/4" ratchet wrench
- #2 Stubby Phillips screwdriver

HARDWARE SUPPLIED

- Water filter bypass plug
- Anti-Tip brackets
- 1/4" nut and ferrule
- Dispenser trims for 1/4" and 3/4" overlay panels
- Aluminum cover trim for 3/4" overlay panels with custom handles. Includes 22 flat head screws and 4 endcaps.

MATERIALS REQUIRED

- 35" long 2x4 for Anti-Tip support
- 1/4" copper water line tubing or GE SmartConnect™ Refrigerator Tubing kits
- Water shut-off valve (optional but recommended)
- Custom panels for doors and grille panel
- Screws to secure refrigerator to cabinetry
- Stick-on hook and loop fastener strips for 1/4" side panels

FLOORING

For proper installation, this refrigerator must be placed on a level surface of hard material that is at the same height as the rest of the flooring. This surface should be strong enough to support a fully loaded refrigerator, or approximately 1,500 lbs.

NOTE: Protect the finish of the flooring. Cut a large section of the cardboard carton and place under the refrigerator where you are working.

GROUNDING THE REFRIGERATOR

IMPORTANT – (Please read carefully)

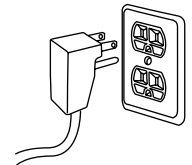
FOR PERSONAL SAFETY, THIS APPLIANCE MUST BE PROPERLY GROUNDED.

The power cord of this appliance is equipped with a 3-prong (grounding) plug which mates with a standard 3-prong (grounding) wall receptacle to minimize the possibility of electric shock hazard from this appliance.

Have the wall outlet and circuit checked by a qualified electrician to make sure the outlet is properly grounded.

Where a standard 2-prong wall outlet is encountered, it is your personal responsibility and obligation to have it replaced with a properly grounded 3-prong wall outlet.

DO NOT, UNDER ANY CIRCUMSTANCES, CUT OR REMOVE THE THIRD (GROUND) PRONG FROM THE POWER CORD.



DO NOT USE AN ADAPTER PLUG TO CONNECT THE REFRIGERATOR TO A 2-PRONG OUTLET.

DO NOT USE AN EXTENSION CORD WITH THIS APPLIANCE.

Installation Instructions

STEP 1 REMOVE PACKAGING

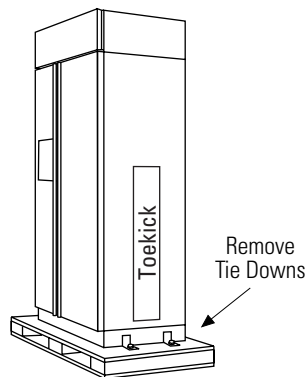
CAUTION: Refrigerator is much heavier at the top than at the bottom – be careful when moving. When using a hand truck, handle from side only.

PRUDENCE: Le réfrigérateur est beaucoup plus lourd en haut qu'en bas. Il faut être prudent lors des déplacements. Si un diable est utilisé, il faut soulever le réfrigérateur sur le côté seulement.

- Carefully cut banding at the top and bottom, remove outer carton.
- Slide out back corner posts (2).
- Slide carton off top of cabinet.

NOTE: IT IS NOT NECESSARY TO LAY CABINET DOWN IN ORDER TO REMOVE SKID!

- The unit is secured to the skid with 4 slotted tie-down straps. Remove the four 5/16" bolts from the base channels in the tie-downs.



- Remove the four 7/16" bolts securing the straps to the skid.

CAUTION: DO NOT ATTEMPT TO ROLL UNIT OFF SKID.

PRUDENCE: IL NE FAUT PAS ESSAYER DE FAIRE ROULER LE RÉFRIGÉRATEUR POUR L'ENLEVER DE LA PALETTE.

- Support blocks on the bottom of the refrigeration case must be removed before the refrigerator is taken off the skid or damage will occur. Carefully, tilt refrigerator and slide blocks out from beneath.
- Remove toekick, set aside for final installation.
- Lift the refrigerator off the skid with an appliance dolly. Handle from the sides.

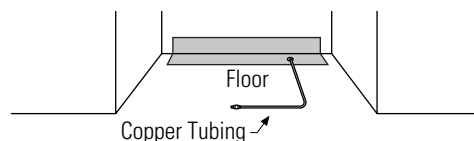
STEP 2 INSTALL WATER LINE

- A cold water supply is required for automatic icemaker operation. The water pressure must be between 40 and 120 p.s.i.
- Route 1/4" OD copper or GE SmartConnect™ plastic tubing between house cold water line and the water connection location.
- Tubing should be long enough to extend to the front of the refrigerator. Allow enough tubing to accommodate bend leading into the water line connection.

NOTE: The only GE approved plastic tubing is supplied in the GE SmartConnect™ Refrigerator Tubing kits. Do not use any other plastic water supply line because the line is under pressure at all times. Other types of plastic may crack or rupture with age and cause water damage to your home.

GE SmartConnect™ Refrigerator Tubing Kits are available in the following lengths:

- 2' (.6 m) WX08X10002
- 6' (1.8 m) WX08X10006
- 15' (4.6 m) WX08X10015
- 25' (7.6 m) WX08X10025



Shut off the main water supply.

Turn on the nearest faucet long enough to clear the line of water.

- Install a shut-off valve between the icemaker water valve and cold water pipe in a basement or cabinet. The shut-off valve should be located where it will be easily accessible.
- Turn on the main water supply and flush debris. Run about a quart of water through the tubing into a bucket. Shut off water supply at the shut-off valve.

NOTE: Saddle type shut-off valves are included in many water supply kits. Before purchasing, make sure a saddle type valve complies with your local plumbing codes.

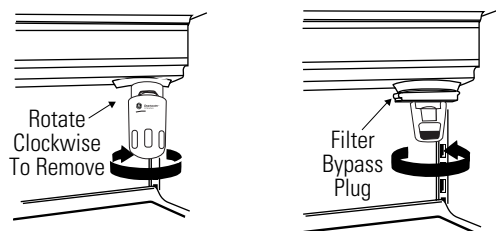
NOTE: Commonwealth of Massachusetts Plumbing Codes 248CMR shall be adhered to. Saddle valves are illegal and use is not permitted in Massachusetts. Consult with your licensed plumber.

Installation Instructions

STEP 2A INSTALLATION WITH HOUSEHOLD WATER FILTRATION SYSTEM

Skip this step if you do not have a household water filtration system

If the water supply to the refrigerator is from any household water filtration system, the filter cartridge should be removed. For better ice and water performance, remove the filter and install the filter bypass plug.



STEP 3 INSTALL SIDE PANELS

Skip this step when not using side panels.

If you are using 1/4" side panels, they should be inserted into the case trim. Fasten the panels to the refrigerator with stick-on hook and loop fastener strips before setting refrigerator in place.

STEP 4 INSTALL ANTI-TIP BRACKETS

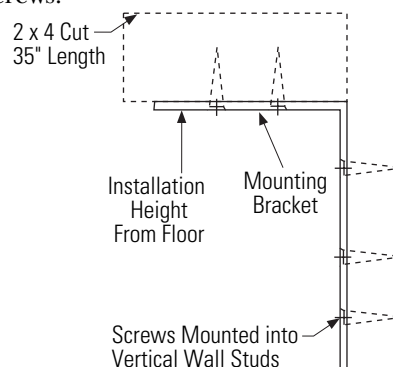
WARNING: ANTI-TIP PRECAUTIONS

The refrigerator is top-heavy and must be secured to prevent the possibility of tipping forward.

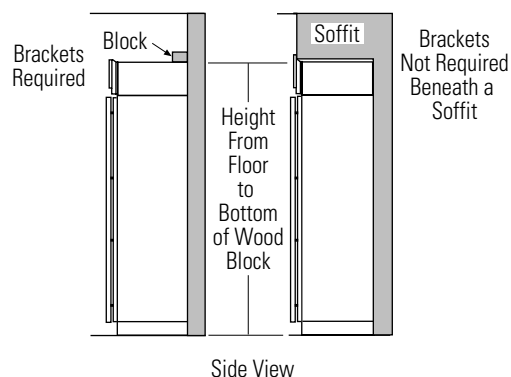
ATTENTION: PRECAUTIONS CONTRE LES BASCULEMENTS

Le réfrigérateur est beaucoup plus lourd en haut et il faut le maintenir en place pour éviter la possibilité de son basculement vers l'avant.

- Cut a 2" x 4" block, 35" long and secure the block to the mounting brackets provided using #12 or #14 wood screws.



- Secure the bracket with wood block to the back wall so that it is 84" (or your installation height) from the finished floor. Use #12 or #14 wood screws. See illustration.



- Screws must penetrate at least one inch into vertical wall studs.
- Before pushing the refrigerator into the opening, plug the power cord into the receptacle. Open the grille panel and reach into the opening at the back to grasp the power cord. Pull the power cord into the opening as you push the refrigerator back.
- Gently push refrigerator into the opening with hands against front corners.

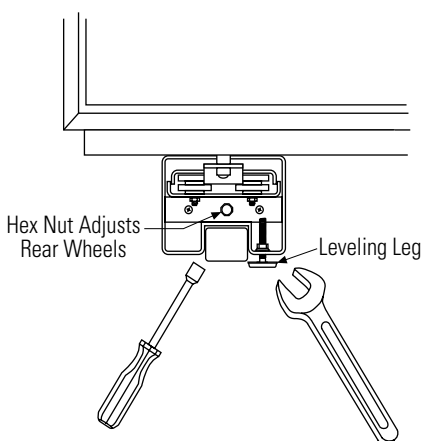
IMPORTANT NOTE: When the refrigerator is installed under a soffit or if there is not enough height for this method of security, brackets cannot be used. Proceed to step 5 to level the refrigerator and then to step 7 to secure refrigerator to cabinets. See step 6 if you have metal wall studs. The refrigerator must be secured to prevent tipping.

Installation Instructions

STEP 5 LEVEL REFRIGERATOR

All models have 4-point leveling. The front is supported by leveling legs, the rear is supported by adjustable wheels. Both are accessible from the front of the refrigerator.

- To level the back of the refrigerator, turn the 7/16" hex nut located above the front wheels. Turn clockwise to raise or counterclockwise to lower the refrigerator.
- For front leveling, use a 1-1/4" open-end wrench.
- Adjust height of refrigerator to match installation cutout opening 83-1/2" to 84-1/2". The refrigerator should be level and plumb with cabinetry.



CAUTION:

The rear leveling wheels and front leveling legs are limited to a maximum height adjustment of 1". If the installation requires more than 84-1/2" height, the installer should elevate the refrigerator on a sheet of plywood or runners. Cabinetry trim could also be added across the top of the opening to shorten the opening. **If you attempt to raise the refrigerator more than 1", you will damage the front leveling legs and the rear leveling wheels.**

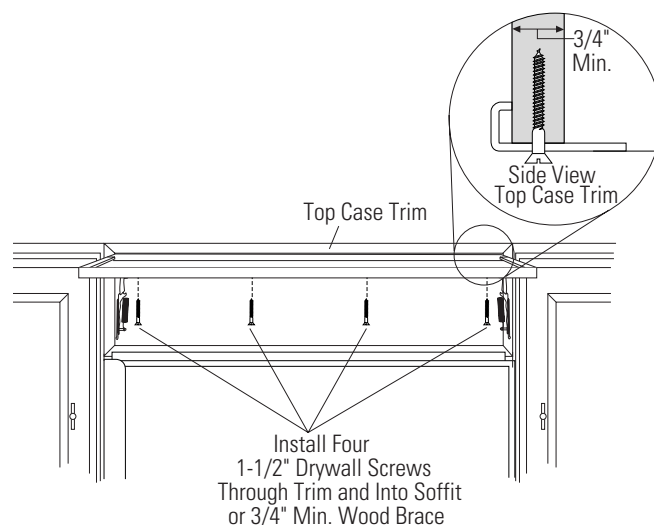
PRUDENCE

Les roues de nivellement arrière et les pattes de nivellement avant permettent un réglage maximal de 25 mm (1 po). Si l'ouverture pour le réfrigérateur a une hauteur supérieure à 2,15 m (84-1/2 po), l'installateur doit élever le réfrigérateur sur une feuille de contre-plaqué ou des glissières. Il est également possible d'ajouter des baguettes de finition des placards sur le haut de l'ouverture afin de la réduire. **Lever le réfrigérateur de plus de 25 mm (1 po) endommage les pattes de nivellement avant et les roues de nivellement arrière.**

STEP 6 ALTERNATE ANTI-TIP PROCEDURE

The refrigerator must be secured to prevent tipping.

The anti-tip brackets cannot be used on metal wall studs. Use this Alternate Procedure to secure the refrigerator against tip-over whenever metal wall studs are encountered and there is no soffit.



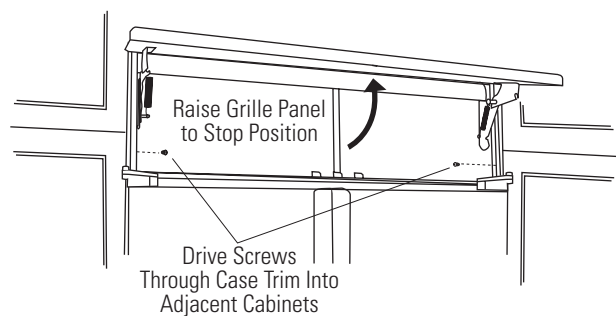
- Raise the grille panel to access case trim.
- Use a 3/16" bit to drill four evenly spaced clearance holes through the metal top case trim.
- Use a 1/16" bit to drill to pilot holes through the metal clearance holes and into the wood soffit. The holes should be centered in the soffit or a 3/4" min. wood brace. The brace spanning the enclosure must be securely fastened to cabinets on both sides.
- Install four, 1-1/2" drywall screws into the pilot holes.

Installation Instructions

STEP 7 SECURE REFRIGERATOR TO CABINERY

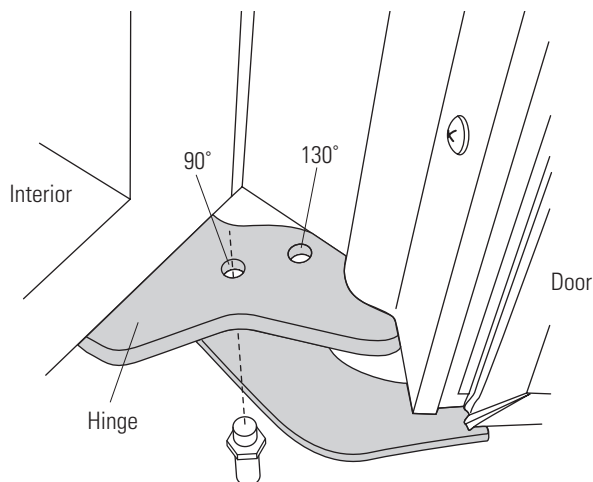
Whenever possible, perform this step for anti-tip security, or when anti-tip brackets cannot be used. **The refrigerator must be secured to prevent tipping.**

- Raise the grille panel to access case trim.
- Drill hole in trim and drive screw through the trim into adjacent cabinet.
- Follow the same procedure on the opposite side.



STEP 8 ADJUST DOOR SWING

NOTE: This refrigerator has a 2-position door stop. When space does not allow the door to swing open fully to 130°, you may change the door swing to a 90° opening. **Skip this step if door opening is satisfactory for your installation situation.**

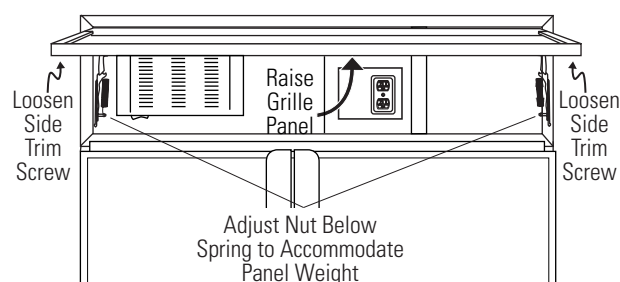
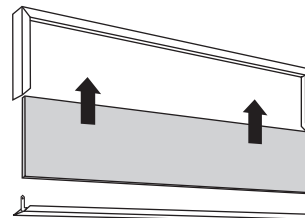


- Open the door to view the bottom hinge. Note the door stop pin locations. The pin is factory installed in the 130° position.
- Close the door. From below, use pliers to unscrew the door stop and reinstall into the 90° position.

STEP 9 INSTALL GRILLE PANEL

To insert framed or overlay panel into the grille:

- Raise the grille panel to stop position.



- Loosen screws on side trim behind frame. Remove bottom trim.

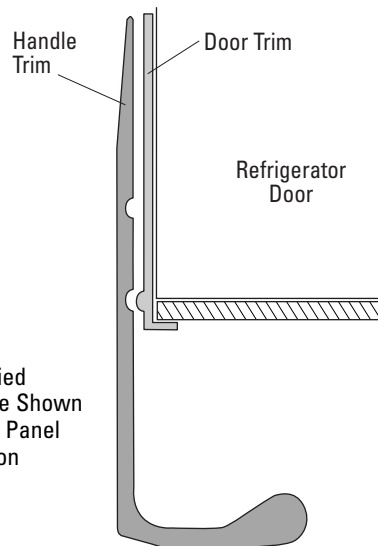
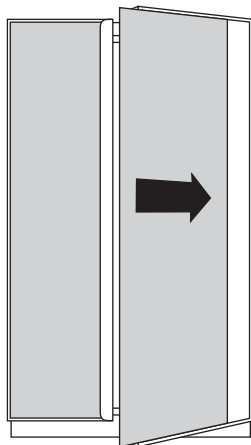
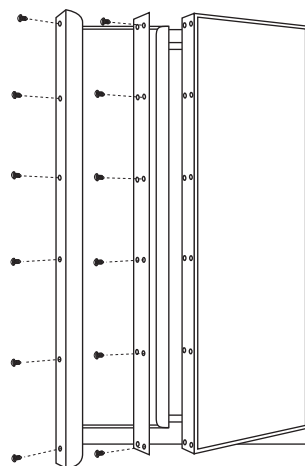
CAUTION: Metal panel may be slippery. Grip metal panel firmly, so the panel does not slip out of the frame and cause personal injury or damage to the frame.

PRUDENCE : Le panneau en métal peut être glissant. Tenir fermement le panneau en métal, de manière à ce que le panneau ne glisse pas en dehors du cadre en provoquant des blessures corporelles ou des dommages au cadre.

- Slide panel over the metal backer panel and into the trim.
- If necessary, tap with a wood block until panel slips under the top trim piece.
- Reassemble bottom trim. Tighten screws.
- Adjust the hinge spring to accommodate the panel weight, if necessary.

Installation Instructions

STEP 10 INSTALL 1/4" FRAMED PANELS Go to Step 9A for Overlay Panels

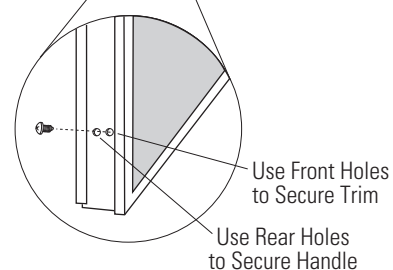
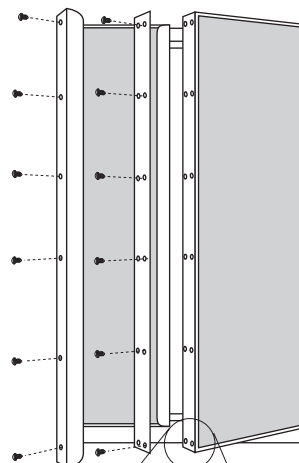
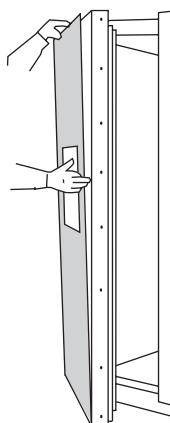


Install door panels:

- Open door to 90°. Remove the 6 Phillips head screws from the door handle.
- Remove handle. Retain all screws.
- Remove 6 screws holding trim, lift off trim. Retain screws.
- Slide framed panel into the door trim.

Dispenser Models Only:

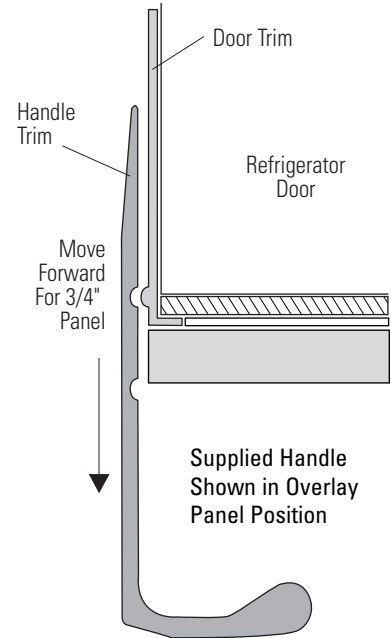
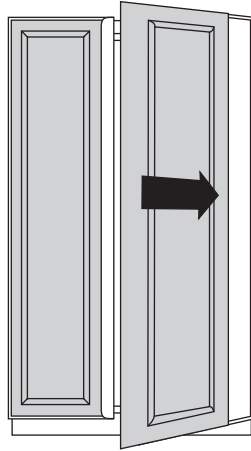
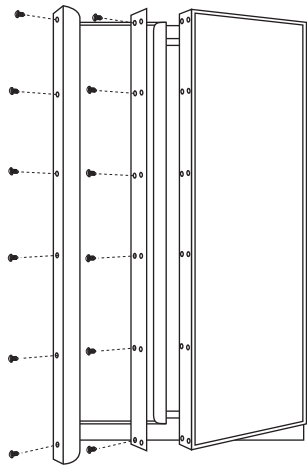
- The dispenser controls protrude beyond the face of the freezer door. To avoid damage to the dispenser, the trim at the top of the door should be removed.
- Remove the screws holding the top trim in place.
- Place the freezer panel into the bottom channel and slide into the hinge side trim.
- Reinstall the top trim piece with screws.
- There are two sets of holes in the handle side trim. Replace handle side trim by installing the original screws in the FRONT screw holes.
- Secure the handle to the door using the REAR screw holes.
- Follow the same procedures to install the opposite panel.
- Check to be sure handles are evenly aligned with each other at the top. To adjust, loosen handle screws and slide up or down. Tighten screws.



NOTE: Aluminum cover trim is supplied for use with custom handles on overlay panels. It is not intended for use with 1/4" panels. Discard the cover trim when using 1/4" framed panels.

Installation Instructions

STEP 10A INSTALL OVERLAY PANELS

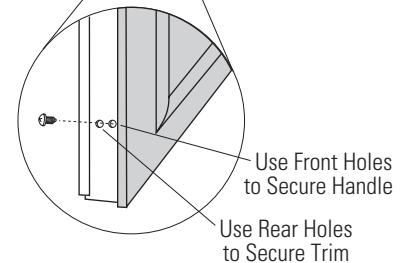
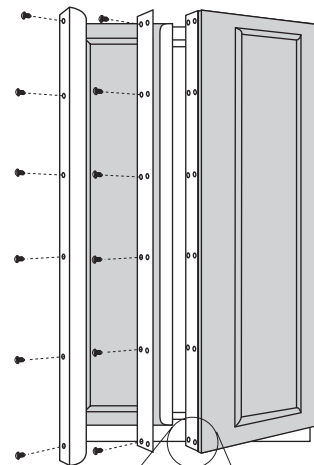
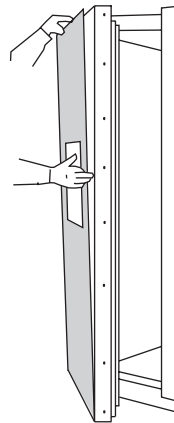


Install door panels:

- Open door to 90°. Remove the 6 Phillips head screws from the door handle.
- Remove handle. Retain all screws.
- Remove 6 screws holding trim, lift off trim. Retain screws.
- Slide overlay panel into the door trim.

Dispenser Models Only:

- The dispenser controls protrude beyond the face of the freezer door. To avoid damage to the dispenser, the trim at the top of the door should be removed.
 - Remove the screws holding the top trim in place.
 - Place the assembled freezer panel into the bottom channel and slide into the hinge side trim.
 - Reinstall the top trim piece with screws.
-
- There are two sets of holes in the handle side trim. Replace handle side trim by installing the original screws in the REAR screw holes.
 - Secure the handle to the door using the FRONT screw holes.
 - Follow the same procedures to install the opposite panel.
 - Check to be sure handles are evenly aligned with each other at the top. To adjust, loosen handle screws and slide up or down. Tighten screws.

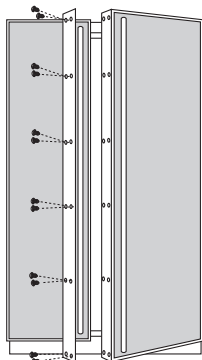


Installation Instructions

STEP 10A (continued)

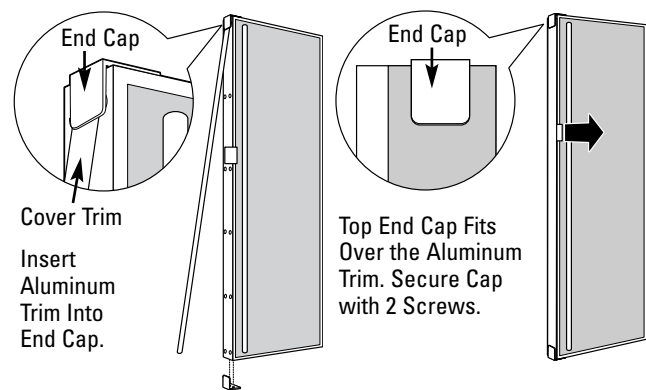
Custom Handles

- If you are using custom handles, the handle must be properly secured to the overlay panel before sliding the panel into the trim.
- The cabinet manufacturer will supply the custom handle and hardware.
- Discard the supplied handle.



Reinstall all original screws.

- Reinstall the handle side trim using all 12 supplied flat-head screws, plus the 12 flat-head screws originally installed in the handle trim.
- Install a supplied end cap onto the top of the door using a Phillips head screwdriver and 2 screws provided. **Hand-tighten screws into end caps. Do not overtighten; damage will occur.**
- Clean the aluminum trim with rubbing alcohol – do not use alcohols with oil or lanolin that will prevent adhesion of double-sided tape.
- Slip aluminum cover trim behind the top end cap to check fit. The aluminum cover trim has a recess on each end which fits the end cap.



- Remove the trim. Peel away a few inches of the adhesive backing. **IMPORTANT:** Tape is very sticky and strong. Once it adheres to a surface, it cannot be removed without damaging both surfaces. **Do not install the trim before the final wood panels are in place.** Be sure to align the trim carefully before removing the paper backing.

STEP 10A (continued)

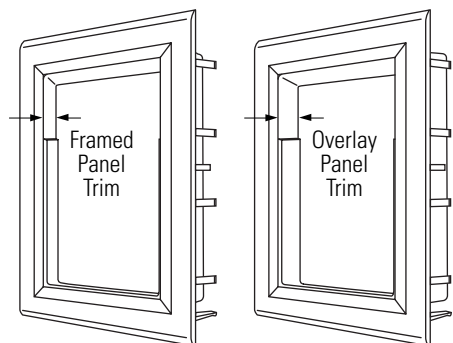
- Carefully place the aluminum cover trim into top end cap so that the recess is aligned with the cap. Use the top to bottom grooves along the handle side to align the cover trim accurately. Pull tape a few inches at a time while pressing the trim against the door. Press and hold approximately 10 seconds before continuing along the length of the door.
- Install another end cap at the bottom of the door to secure the cover trim. Use a stubby Phillips head screwdriver and 2 screws provided. **NOTE:** Make sure there are no gaps in the installation.
- Follow the same procedure on the opposite door.

Installation Instructions

STEP 11 INSTALL DISPENSER TRIM

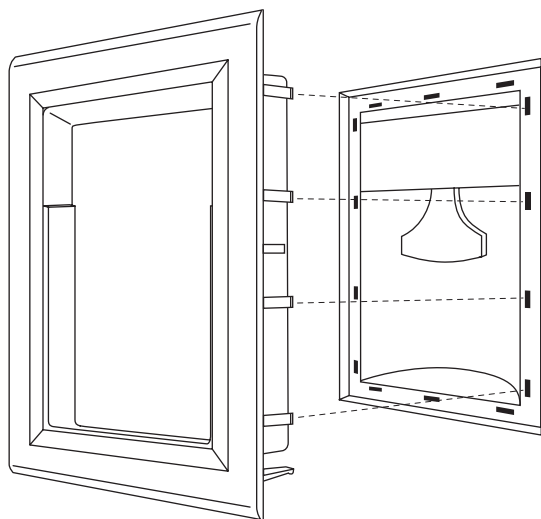
Skip this step if you are installing a stainless steel wrapped or a non-dispenser refrigerator.

There are two dispenser trims shipped with your refrigerator. Select the appropriate trim for your application.



Compare the dispenser trims. Note that the inside depth of the frames are different. Choose the trim with less depth for framed panels, choose the deeper one for overlay panels.

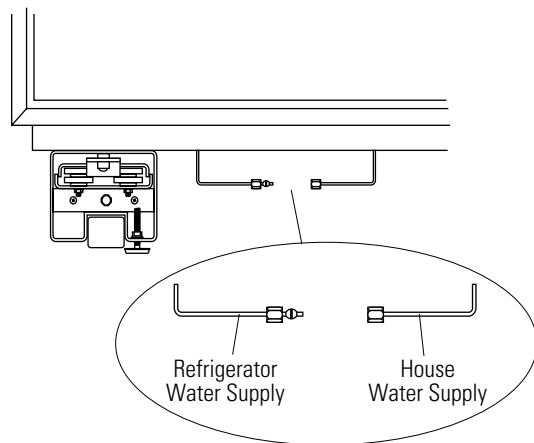
Dispenser trim fit over the custom panel depends on correct panel thickness. See pages 7 and 8 for panel construction information.



- Press and snap the dispenser trim into the dispenser recess on the refrigerator door.

If an excessive gap exists around the dispenser trim or if the panel fits loosely in the door frame, foam tape may be applied to help improve the fit. Remove the trim and panel and apply foam tape to the door around the dispenser and in the corners.

STEP 12 CONNECT WATER SUPPLY



- Locate and bring tubing to the front of the cabinet.
- Turn the water on to flush debris from line. Run about a quart of water through tubing into a bucket, then shut-off water.

Copper Tubing:

- Slip a 1/4" nut and ferrule (provided) over both ends of the copper tubing. Insert tube into the union fitting on the unit and tighten nut to union.
- Turn on the water to check for leaks.

GE SmartConnect™ Tubing:

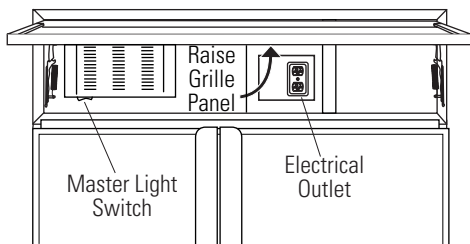
- Insert the molded end of the tubing into the refrigerator connection. Tighten the compression nut until it is just hand tight.
- Tighten one additional turn with a wrench. Overtightening can cause leaks!
- Turn on the water to check for leaks.

NOTE: Make sure excess tubing length does not interfere with toekick installation.

Installation Instructions

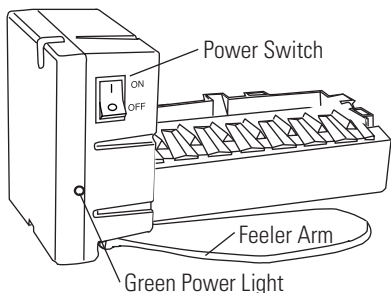
STEP 13 CHECK POWER, CLOSE GRILLE PANEL

- Check to be sure the power cord is plugged into the receptacle.



- Check to make sure power to refrigerator is on by opening refrigerator door to see if interior lights are on.
- The temperature controls are preset at 37°F for the fresh food section and 0°F for the freezer.
- Allow 24 hours to stabilize before making adjustments.

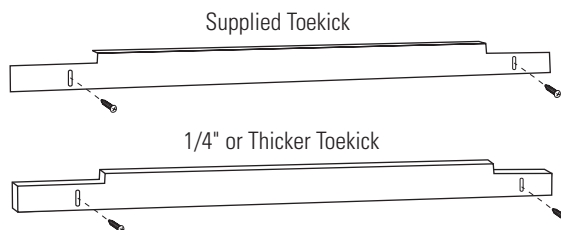
STEP 14 START ICEMAKER



- Flip the switch to I (ON). The icemaker will begin operation automatically.
- Be sure nothing interferes with the sweep of the feeler arm.
- Discard the first full bucket of ice cubes.
- To turn the icemaker off, set the switch to O (OFF).

STEP 15 INSTALL TOEKICK

- Locate the supplied toekick (shipped taped to the side of the refrigerator). Install with 2 screws provided, adjust to desired height and tighten screws.
- A custom toekick can be installed to match or complement the surrounding cabinetry. Use the supplied toekick as a template to cut the shape.

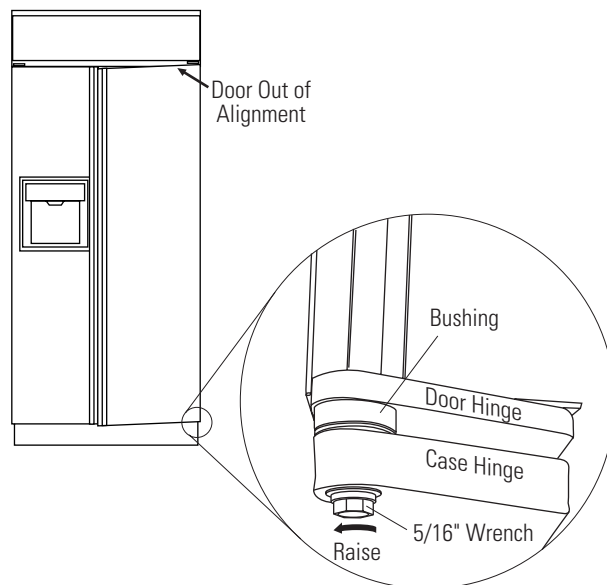


INSPECT FINAL INSTALLATION

Check door alignment

Stand back away from the refrigerator to inspect the final installation.

- Check to be sure handles are evenly aligned with each other at the top. To adjust, loosen handle screws and slide up or down. Tighten screws.
- During shipping or the addition of heavy door panels may have caused the doors to move slightly out of alignment.



- If necessary, the fresh food door may be adjusted up or down to align with the freezer door.
- Use a 5/16" wrench to adjust the hinge pin as shown.

NOTE: While performing installations described in this book, safety glasses or goggles should be worn.

For Monogram® local service in your area, call 1.800.444.1845.

NOTE: Product improvement is a continuing endeavor at General Electric. Therefore, materials, appearance and specifications are subject to change without notice.

Pub. No. 31-46195
Dwg. No. 224D1559P002

11-06 JR



Monogram.®

GE Consumer & Industrial
GE Appliances
General Electric Company
Louisville, KY 40225
ge.com
©2006 GE Company