

HOTPOINT®

2002 Gas Ranges



For now. For the long run.

Gas Ranges

Hotpoint Capacity Plus™ gas ranges feature more usable oven capacity than any other leading manufacturers' brand. Available with self-clean or standard-clean ovens. Select models feature sealed burners that provide both simmer capability and maximum output, an extra-large broiler pan and grid, six embossed rack positions and porcelain-enameled upswept cooktop.



Sealed gas burners

Special burner design helps contain spills and boiling-over liquids from dripping beneath cooktop for easy clean-up.



Simmer 600 burner

Offers true simmer capability with a low (600 BTU) setting. Provides low, even heat distribution for delicate foods and sauces.



Performance Plus burner

Provides maximum output (12,000 BTU) for faster boiling and to heat foods quickly.



EasySet clock and oven timer

Easy-to-use electronic touch pad controls and delayed baking function make cooking simple.



Capacity Plus™ gas ranges

Extra-large oven has more usable capacity than any other leading manufacturers' brand. Sixth embossed rack position increases cooking flexibility.



One-piece upswept cooktop

No cracks or crevices to trap dirt. The porcelain enamel-on-steel surface wipes clean easily.



Extra-large broiler pan/grid

Porcelain-enameled broiler pan and grid are extra large. Allows for extra broiling space.



Lift-up cooktop with easy-clean subtop

Standard burner models have a cooktop that lifts up for easy access to porcelain-enameled subtop. Twin rod supports allow cooktop to lift and lock into place. No pipes or wires to interfere with clean-up.

All features may not be available on all models.

CAPACITY PLUS™ 30" Free-Standing Gas Ranges

These models feature more usable oven capacity than any other leading manufacturers' brand; a sixth embossed rack position; extra-large broiler pan; porcelain-enameled upswept cooktop; interior oven light and electronic pilotless ignition.

RGB845WEC

- White on white model
- Extra-large, self-clean oven
- Sealed cooktop burners
- Simmer 600 burner
- Performance Plus burner
- Medium-cast steel grates
- In-oven broiling
- Frameless white glass oven door with Big View window
- EasySet III clock and oven timer
- Removable grey porcelain-enameled drip pans
- Storage drawer



RGB845WEC
CAPACITY PLUS™

RGB845BEC

- White model
- Same features as RGB845WEC, except has black control panel and black glass oven door.



RGB845BEC
CAPACITY PLUS™

RGB745WEA

- White on white model
- Extra-large, self-clean oven
- Sealed cooktop burners
- Simmer 600 burner
- Performance Plus burner
- Heavy-steel grates
- In-oven broiling
- Frameless white glass oven door with window
- EasySet III clock and oven timer
- Removable grey porcelain-enameled drip pans
- Storage drawer



RGB745BEA
CAPACITY PLUS™

RGB745BEA

- White or Bisque model
- Same features as RGB745WEA, except has black control panel and black glass oven door.



RGB745WEA
CAPACITY PLUS™

30" Gas Ranges

CAPACITY PLUS™ 30" Free-Standing Gas Ranges



These models feature more usable oven capacity than any other leading manufacturers' brand; a sixth embossed rack position; extra-large broiler pan; porcelain-enameled, upswept cooktop; interior oven light; slide-out broiler drawer and electronic pilotless ignition.

RGB535BEA

- White or Bisque model
- Extra-large standard-clean oven
- Sealed cooktop burners
- Simmer 600 burner
- Performance Plus burner
- Heavy-steel grates
- Frameless black glass oven door with window
- Electronic clock/timer
- Removable black porcelain-enameled drip pans

RGB533WEA

- White on white model
- Extra-large standard-clean oven
- Sealed cooktop burners
- Simmer 600 burner
- Performance Plus burner
- Frameless white glass oven door with window
- Electronic clock/timer

RGB532BEA

- White or Bisque model
- Extra-large standard-clean oven
- Sealed cooktop burners
- Simmer 600 burner
- Performance Plus burner
- Frameless black glass oven door with window
- Electronic clock/timer

RGB528BEA

- White or Bisque model
- Extra-large standard-clean oven
- Frameless black glass oven door with window
- Electronic clock/timer
- Twin cooktop burners
- Lift-up cooktop

RGB528PEA

- White on white model
- Extra-large standard-clean oven
- White porcelain-enameled oven door with window
- Electronic clock/timer
- Twin cooktop burners
- Lift-up cooktop



RGB535BEA
CAPACITY PLUS™

RGB533WEA
CAPACITY PLUS™



RGB532BEA
CAPACITY PLUS™



RGB528BEA
CAPACITY PLUS™



RGB528PEA
CAPACITY PLUS™

30" Gas Ranges

CAPACITY PLUS™ 30" Free-Standing Gas Ranges

These models feature an extra-large standard oven; six embossed rack positions; twin cooktop burners and lift-up cooktop.

RGB526PEA

- White or Bisque model
- Extra-large standard-clean oven
- Color-matched porcelain-enameled oven door with window
- Electronic oven controls
- Slide-out broiler drawer
- Electronic pilotless ignition

RGB524PEA

- White or Bisque model
- Extra-large standard-clean oven
- Solid color-matched porcelain-enameled oven door
- Slide-out broiler drawer
- Electronic pilotless ignition

RGB524PPA

- White or Bisque model
- Same features as RGB524PEA, except with standing pilot ignition system.

RGB508PEA

- White or Bisque model
- Extra-large standard-clean oven
- Solid color-matched porcelain-enameled oven door
- Drop-down broiler door
- Electronic pilotless ignition

RGB508PPA

- White or Almond model
- Same features as RGB508PEA, except with standing pilot ignition system.



RGB526PEA
CAPACITY PLUS™



RGB524PEA/PPA
CAPACITY PLUS™



RGB508PEA/PPA
CAPACITY PLUS™

24" Compact Gas Ranges



RGA524EW/PW

RGA524EW

- White model
- Standard-clean oven
- Electronic pilotless ignition
- Porcelain-enameled oven door
- Recessed, lift-up cooktop
- Round burner grates
- Push-to-turn controls

RGA524PW

- White model
- Same features as RGA524EW, except with standing-pilot ignition system.

20" Compact Gas Ranges



RGA520EW/PW

RGA520EW

- White model
- Standard-clean oven
- Electronic pilotless ignition
- Porcelain-enameled oven door
- Recessed, lift-up cooktop
- Round burner grates
- Push-to-turn controls

RGA520PW

- White model
- Same features as RGA520EW, except with standing-pilot ignition system.

GE® Hoods

GE Profile™—High-Performance Hoods



JV666C

- 36" width
- Stainless steel
- Three-speed fan control plus boost
- Two halogen cooktop lights (50 watts each)
- Nightlight setting
- Vertical or rear exhaust (350/400-CFM)
- 3-1/4" x 10" rectangular duct (convertible to 7" round duct)

JV665C (not shown)

- Same features and appearance as JV666C except available in White on white or Black on black.

JV635C

- 30" width
- White on white (shown), or Black on black
- Three-speed fan control plus boost
- Two halogen cooktop lights (50 watts each)
- Nightlight setting
- Vertical or rear exhaust (350/400-CFM)
- 3-1/4" x 10" rectangular duct (convertible to 7" round duct)

JV636C (not shown)

- Same features and appearance as JV635C except Stainless steel.

GE Profile—Performance Hoods



JV565C

- 36" width
- White on white (shown), Bisque on bisque or Black on black
- Two-speed fan control
- 200-CFM (max.)
- Two halogen cooktop lights (50 watts each)
- Convertible exhaust options (7" round, rectangular or nonvented)
- Rectangular damper and 7" round adapter included

JV566C (not shown)

- Same features and appearance as JV565C except Stainless Steel.

JV535C (not shown)

- Same features and appearance as JV565C except in 30" width.

JV536C (not shown)

- Same features and appearance as JV566C except in 30" width.

JXDA23 Round damper accessory available at additional cost. (Models JV666/665/636/635/566/565/536/535)

Optional charcoal filter accessory available

GE® Deluxe Hoods



JV347X

- 30" width
- White on white, Bisque on bisque, Almond on almond or Black on black
- Rotary control
- Three-speed fan
- Cooktop light with Nightlight setting
- Light cover
- Convertible exhaust (Shipped in nonvented configuration, convertible to 7" round or rectangular exhaust.)
- Rectangular damper included

GE Standard Hoods



JV327X

- 30" width
- White, Bisque or Almond
- 7" round duct
- Easy-to-use rocker switches
- Two-speed fan
- Cooktop light

JV337X (not shown)

- White, Bisque or Almond
- 3-1/4" x 10" rectangular duct
- Rectangular damper included

JN327X (not shown)

- White, Bisque or Almond
- Nonvented

JXDA22 round damper accessory, available at additional cost. (Models JV347/337/327)

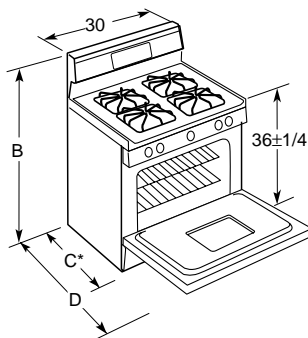
Light bulbs not included

Gas Range Specifications

30" CAPACITY PLUS™ Gas Ranges

	RGB845WEC RGB845BEC	RGB745WEA RGB745BEA	RGB535BEA	RGB533WEA	RGB532BEA	RGB528BEA RGB528PEA	RGB526PEA	RGB524PEA RGB524PPA	RGB508PEA RGB508PPA
Features									
Extra-large oven	Self-clean	Self-clean	Standard-Clean	Standard-Clean	Standard-Clean	Standard-Clean	Standard-Clean	Standard-Clean	Standard-Clean
Cooktop burners	Sealed	Sealed	Sealed	Sealed	Sealed	Twin	Twin	Twin	Twin
Performance Plus burner (Nat.)	(1) 12,000/1,000 BTU	(1) 12,000/1,000 BTU	(1) 12,000/1,000 BTU	(1) 12,000/1,000 BTU	(1) 12,000/1,000 BTU				
Simmer 600 burner (Nat.)	(1) 5,000/600 BTU	(1) 5,000/600 BTU	(1) 5,000/600 BTU	(1) 5,000/600 BTU	(1) 5,000/600 BTU				
All purpose sealed burners (Nat.)	(2) 9,500/850 BTU	(2) 9,500/850 BTU	(2) 9,500/850 BTU	(2) 9,500/850 BTU	(2) 9,500/850 BTU				
Oven controls	EasySet III	EasySet III	Electronic Clock/Timer	Electronic Clock/Timer	Electronic Clock/Timer	Electronic Clock/Timer	Electronic Clock/Timer	Knob	Knob
Automatic oven timer	Electronic	Electronic							
Porcelain-enameled cooktop	Upswept	Upswept	Upswept	Upswept	Upswept	Upswept	Upswept	●	●
Lift-up cooktop						●	●	●	●
Easy-clean subtop						●	●	●	●
Valves (degree of turn)	270°	270°	270°	270°	270°	140°	140°	140°	140°
Removable drip pans	Grey Porc.-Enam. Black Porc.-Enam.	Grey Porc.-Enam. Black Porc.-Enam.	Black Porc.-Enam.	Opt. Access.	Black Porc.-Enam.	Opt. Access.	Opt. Access.	Opt. Access.	Opt. Access.
Removable square grates	Grey Medium-cast Black Medium-cast	Grey Heavy-steel Black Heavy-steel	Black Heavy-steel	Grey	Black	Black Grey	Black	Black	Black
Ignition system	Electronic	Electronic	Electronic	Electronic	Electronic	Electronic	Electronic	Electronic Pilot	Electronic Pilot
Oven shelves	2	2	2	2	2	2	2	2	2
Six embossed rack positions	●	●	●	●	●	●	●	●	●
Interior oven light	●	●	●	●	●	●	●	●	●
In-oven broiling	●	●	●	●	●	●	●	●	●
Slide-out broiler drawer			●	●	●	●	●	●	Drop down door
Removable storage drawer	●	●							
Appearance									
Color appearance*	WW WH	WW WH/CT	WH/CT	WW	WH/CT	WH/CT WW	WH/CT	WH/CT WH/CT	WH/CT WH/AD
Frameless oven door	Big View	White Glass Black Glass	Black Glass	White Glass	Black Glass	Black Glass White Porc.-Enam.	CM Porc.-Enam.	Solid CM Porc.-Enam.	Solid CM Porc.-Enam.
Oven door with window	●	●	●	●	●	●	●	●	●
Handle style	Designer-style	Designer-style	Designer-style	Designer-style	Designer-style	Designer-style Visor	Visor	Visor	Visor
Removable oven door	●	●	●	●	●	●	●	●	●
Weights and Dimensions									
Overall oven interior dimensions (WxHxD in inches)	← 24x17x19 →								
Approx. shipping weight (lbs.)	185	185	185	185	185	165	165	147	166
Power/Ratings									
Gas range electrical rating**	← 120V, 60 Hz, 5A →								
Top burners† (000's BTU's)	(1)-12.0/9.5		(1)-5.0/3.5		(2)-9.5/7.0		9.0/8.0		
Oven/broiler burners† (000's BTU's)	16.0/16.0 - Oven		13.5/12.0 - Broil		18.0/16.5				
Accessories									
LP conversion kit	●	●	●	●	●	●	●	●	●

*WW=White on white, WH = White, CT = Bisque, AD = Almond, CM=Indicates color of oven door matches range cooktop (either White, Almond or Bisque)
 **Electrical rating not applicable to standing pilot models RGB524PPA/RGB508PPA
 †Factory set for natural gas.



30" gas range dimensions (in inches)

Models	B Height	C* Depth	D Depth with door open
RGB845WEC	46-1/2	26-1/4	46-3/8
RGB845BEC	46-1/2	26-1/4	46-3/8
RGB745WEA	46-1/2	26-1/4	46-3/8
RGB745BEA	46-1/2	26-1/4	46-3/8
RGB535BEA	46-1/2	26-1/4	46-3/8
RGB533WEA	46-1/2	26-1/4	46-3/8
RGB532BEA	46-1/2	26-1/4	46-3/8
RGB528BEA	46-1/2	26-1/4	46-3/8
RGB528PEA	46-1/2	26-1/2	46-3/8
RGB526PEA	46-1/2	26-1/2	46-3/8
RGB524PEA/PPA	44	26-1/2	46-3/8
RGB508PEA/PPA	39-7/8	26-1/2	46-3/8

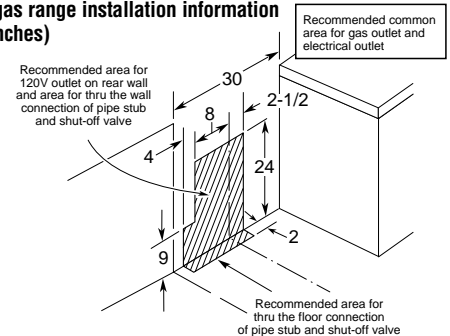
*Depth from wall to front of closed oven door.

Optional gas range accessory drip pans (Available at additional cost)

To order these accessory drip pans, call toll-free 800-626-2002.

Installation information: Before installing, consult installation instructions packed with product for current dimensional data.

30" gas range installation information (in inches)



All Hotpoint ranges are equipped with an Anti-Tip device. The installation of this device is an important, required step in the installation of the range.



Gas Range Specifications

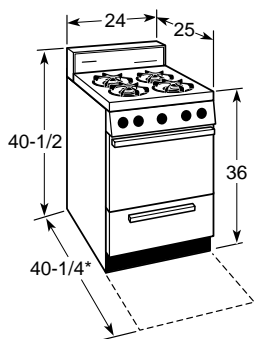
Hotpoint 24" and 20" Gas Ranges	24" range RGA524EW/PW	20" range RGA520EW/PW
Features		
Oven cleaning	Standard	Standard
Oven shelves	2	2
Recessed lift-up cooktop	●	●
Porcelain-enameled subtop	●	●
Round grates	●	●
Ignition system	Electronic/Pilot	Electronic/Pilot
Push-to-turn controls	●	●
Broiler pan with grid	●	●
Separate broiler drawer (with tip down door)	●	●
Appearance		
Color appearance*	WH	WH
Porcelain-enameled oven door	Solid color-matched	Solid color-matched
Removable oven door	●	
Four leveling legs	●	●
Weights and Dimensions		
Overall oven interior dimensions (WxHxD in inches)	19 x 14 x 19	14-7/8 x 16 x 19-1/2
Burner BTU's:		
Top (Nat/LP)	9,000/8,000	9,000/8,000
Oven (Nat/LP)	18,000/18,000	18,000/18,000
Gas range electrical rating**	120V, 60 Hz, 5A	120V, 60 Hz, 5A
Approx. ship. wt. (lbs.)	140	124

*WH=White

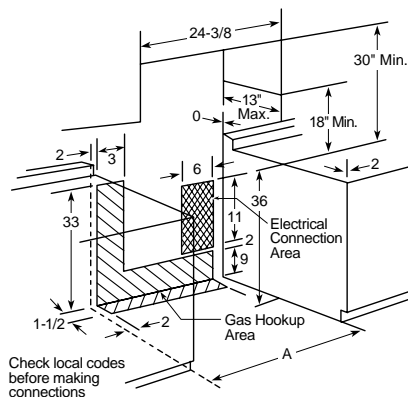
Factory set for natural gas. Can be converted to LP by a qualified technician.

**Electrical rating not applicable to standing pilot model RGA524PW and RGA520PW.

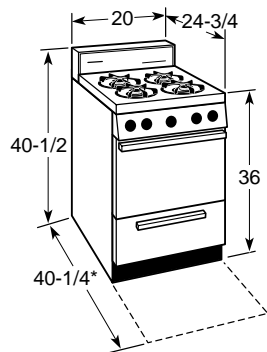
24" gas range dimensions and installation information (in inches)



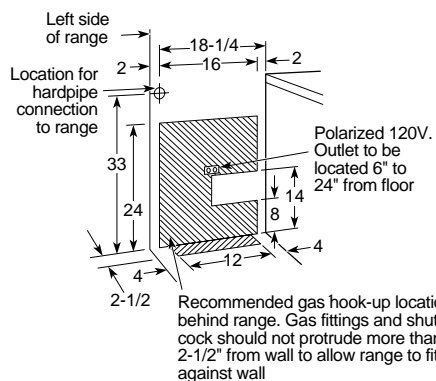
*Depth including up-front angled control panel



20" gas range dimensions and installation information (in inches)



*Depth including up-front angled control panel



All Hotpoint ranges are equipped with an Anti-Tip device. The installation of this device is an important, required step in the installation of the range.



Installation information: Before installing, consult installation instructions packed with product for current dimensional data.

Hoods	GE Profile						GE				
	Width	High-Performance				Performance		Deluxe	Standard		
		30"		JV636C	JV635C	JV536C	JV535C	JV347X	JV327X	JV337X	JN327X
	36"	JV666C	JV665C			JV566C	JV565C				
Features											
Two-speed fan control					●	●		●	●	●	●
Three-speed fan control		plus boost	plus boost	plus boost	plus boost			●			
Vertical exhaust (CFM)		350	350	350	350	190	190	180	160	160	
Rear exhaust (CFM)		400	400	400	400	200	200	160		150	
Damper included (rectangular)		●	●	●	●	●	●	●		●	
Optional damper accessory (round)		JXDA23	JXDA23	JXDA23	JXDA23	JXDA23	JXDA23	JXDA22	JXDA22	JXDA22	
Sones rating:											
Top exhaust		4.0/7.0*	4.0/7.0*	4.0/7.0*	4.0/7.0*	4.0	4.0	8.0	8.0	8.0	
Rear exhaust		4.0/7.0*	4.0/7.0*	4.0/7.7*	4.0/7.7*	4.0	4.0	8.0		8.0	
Removable grease filters		2 ¹	2 ¹	2 ¹	2 ¹	2 ¹	2 ¹	Disposable 1-Pc. Filter ^{†††}	1 ^{†††}	1 ^{†††}	Disposable 1-Pc. Filter ^{†††}
Filter size (sq. in.)		207	207	171	171	171/207	171/207	90	90	90	90
Cooktop light(s)**		2 Halogen (50 watts)	2 Halogen (50 watts)	2 Halogen (50 watts)	2 Halogen (50 watts)	2 Halogen (50 watts)	2 Halogen (50 watts)	1	1	1	1
Nightlight position on light switch		●	●	●	●	●	●	●			
3-1/4" x 10" rectangular duct		●	●	●	●	●	●	Option		●	
7" round duct		●	●	●	●	●	●	Option	●		
Non-vented						●	●	Option			●
Silverstone underside coating		●	●	●	●						
Appearance											
Color appearance***		SS	WW/BB	SS	WW/BB	SS	WW/CC/BB	WW/CC/AA/BB	W/C/A	W/C/A	W/C/A
Weights & Dimensions											
Approx. shipping weight (lbs.)		35	35	30	30	30	30	20	14	17	19
Power/Ratings											
Current rating amps @ 120V		2.5	2.5	2.5	2.5	1.4	1.4	2.5	2.5	2.5	2.5

*Top exhaust soles rating when in boost mode at 1" W. C. backpressure.

**Light bulbs not furnished.

***SS = Stainless steel, WW = White on white, CC = Bisque on bisque, AA = Almond on almond, BB = Black on black, W = White, C = Bisque, A = Almond.

†WB02X10713 (30") or WB02X10710 (36") removable grease filter is available for additional cost. Call toll-free 800.626.2002. (Models JV666/665 and JV636/635)

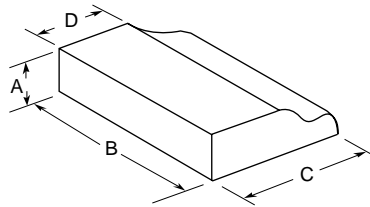
††WB02X10709 (30") or WB02X10706 (36") removable grease filter and WB02X10707 (30") or WB02X10708 (36") removable charcoal filter are available for additional cost.

Call toll-free 800.626.2002. (Models JV566/565 and JV536/535)

†††WB02X9381 replacement grease filter and WB02X10700 replacement charcoal filter are available for additional cost. Call toll-free 800.626.2002. (Models JV347/327/337 and JN327)

Dimensions (in inches)

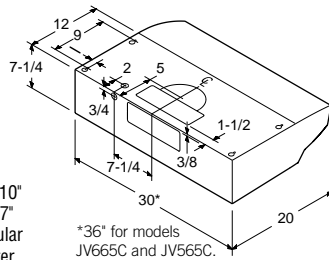
Model	A	B	C	D
JV666/JV665	7-1/4	35-7/8	20	12
JV636/JV635	7-1/4	29-7/8	20	12
JV536/JV535	7-1/4	29-7/8	20	12
JV566/JV565	7-1/4	35-7/8	20	12
JV347	5-1/2	29-7/8	17-1/2	12
JV337	5-1/2	29-7/8	17-1/2	12
JV327	5-1/2	29-7/8	17-1/2	12
JN327	5-1/2	29-7/8	17-1/2	12



JXHC1 cord kit allows a receptacle in the cabinet over the range to accommodate either an over-the-range microwave oven or a standard hood.

Hood dimensions (in inches)

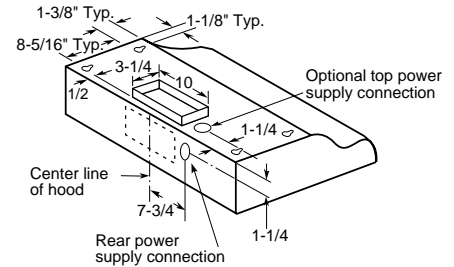
1 Models: JV666C, JV665C, JV636C, JV635C, JV536C, JV535C, JV566C, and JV565C



Exhaust outlet connects to 3-1/4" x 10" duct (vertically or horizontally) and 7" round (vertically). Includes rectangular damper and 7" round damper adapter. Round damper accessory, JXDA23, available at additional cost.

*36" for models JV665C and JV565C.

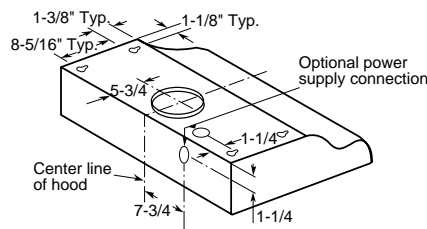
2 Models: JV347X* and JV337X



*JV347X—Refer to this drawing for rectangular exhaust option. Refer to drawing 3 for round exhaust option.

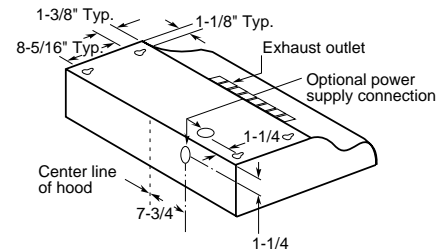
Exhaust outlet connects to 3-1/4" x 10" rectangular duct. Vent top or rear. Includes rectangular damper.

3 Models: JV347X* and JV327X



*JV347X—Refer to this drawing for round exhaust option. Refer to drawing 2 for rectangular exhaust option. Exhaust outlet connects to 7" diameter duct. Vent top only. Round damper accessory, JXDA22, available at additional cost.

4 Model: JN327X



Note: Before installing, consult installation instructions packed with product for current dimensional data.

Consumer Services

Hotpoint offers performance, versatility and cleanability features to meet your every need.



Performance Plus burner

Provides maximum output (12,000 BTU) for faster boiling and to heat foods quickly.



Capacity Plus™ gas ranges

Features more usable oven capacity than any other leading manufacturer. Sixth embossed rack position increases cooking flexibility.



Sealed gas burners

Special burner design helps contain spills and boiling-over liquids from dripping beneath cooktop. Makes clean-up easy!

Not all features available on all models
*See warranty for details.

Visit us at hotpoint.com



We're surfer-friendly!

Completely comprehensive, this site provides you with virtually everything you need to know about Hotpoint® appliances, parts, accessories and service. And, it's also surfer-friendly, so your searches won't be endless—they'll be effortless!



The GE Answer Center® Information Service 800.626.2000 (GEAppliances.com)

Questions? Call any time.

Before or after you buy any GE or Hotpoint product, ask us about the features, product comparisons, pricing and where to find it. Call us any time. We never close.

Industry-leading support—

GE Genuine Parts 800.626.2002

Enhance, upgrade or fix it. Check out our accessories!

Accessories can make great GE or Hotpoint products even better. Replacement parts for GE, Hotpoint and most other brands, too. Fast delivery, convenient, direct.

GE Appliance Service 800.432.2737 (800.GE.CARES)

Same day or next day service.

If you ever need product service, we'll come where and when you want—at your convenience. We're the largest manufacturer-owned service organization in the appliance industry. Same or next day service in most cases.

HOTPOINT®