

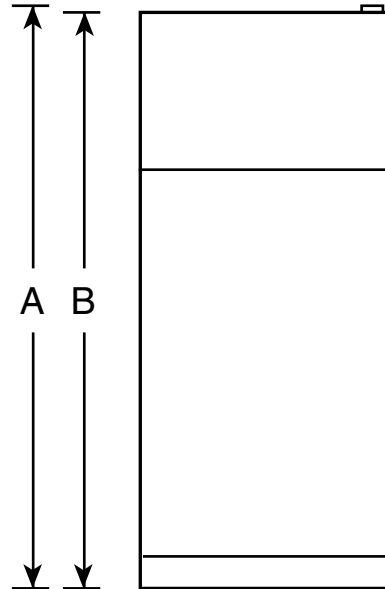
HTS18GBB

Hotpoint ENERGY STAR® 18.2 Cu. Ft. Top-Freezer Refrigerator

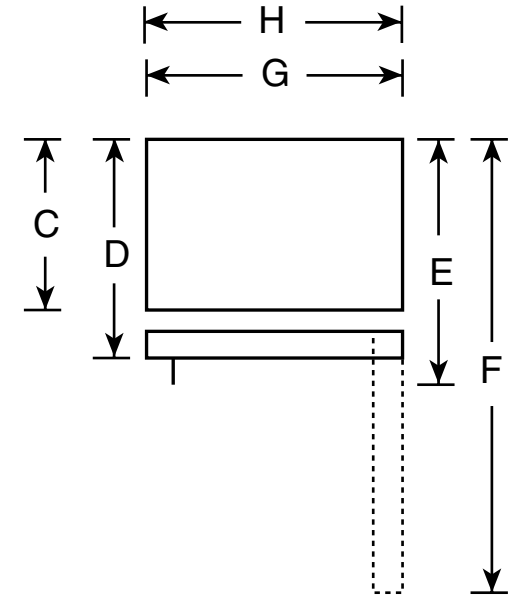
Dimensions and Installation Information (in inches)

Overall Dimensions	Height to top of hinge (in.) A	67-3/8
	Height to top of case (in.) B	66-7/8
	Case depth without door (in.) C	26-3/4
	Case depth less door handle (in.) D	30-1/2
	Case depth with door handle (in.) E	32-3/8
	Depth with fresh food door open 90° (in.) F	56-3/8
	Width (in.) G	28
	Width with door open 90° with door handle (in.) H	30-3/4
Air Clearances	Each side (in.)	3/4
	Top (in.)	1
	Back (in.)	1

Front View



Top View



For answers to your Monogram®, GE Profile™ or GE® appliance questions, visit our website at geappliances.com or call GE Answer Center® service, 800.626.2000.



Total volume and shelf area are calculated by the Association of Home Appliance Manufacturers' standards.



Listed by Underwriters Laboratories



As an ENERGY STAR® partner, GE has determined that this product meets the ENERGY STAR guidelines for energy efficiency.



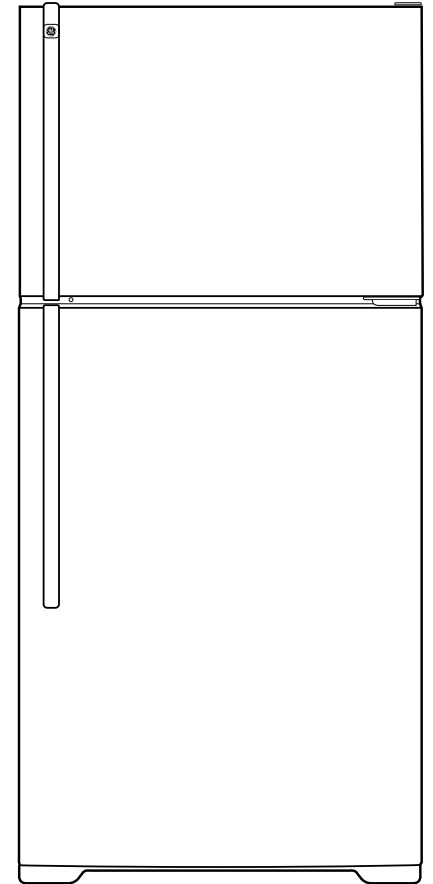
imagination at work

HTS18GBB

Hotpoint ENERGY STAR® 18.2 Cu. Ft. Top-Freezer Refrigerator

Features and Benefits

- Upfront temperature controls - A simple knob turn regulates interior temperatures with ease
- Adjustable glass shelves - Shelves adjust to handle tall items and create additional space
- Fixed gallon door shelves - Provides the ideal space for storing gallon containers in the door
- Can storage door shelf - Holds soft drink cans in the door for easy selection and quick access
- Clear crispener drawers - Transparent drawers make finding your favorite snacks quick and easy
- Snack drawer - Conveniently stores favorite foods and allows for quick, easy access
- Deluxe quiet design - Significantly reduces unnecessary operating noise in the kitchen
- NeverClean™ condenser - Sealed compartment keeps coils clean and simplifies maintenance
- Model HTS18GBBWW - White
- Model HTS18GBBCC - Bisque



imagination at work



As an ENERGY STAR® partner, GE has determined that this product meets the ENERGY STAR guidelines for energy efficiency.