

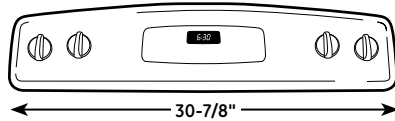
JGBP88SEM

GE® 30" Free-Standing Self-Clean Gas Range

Dimensions and Installation Information (in inches)

Electrical Rating: 120V, 60Hz, 9A

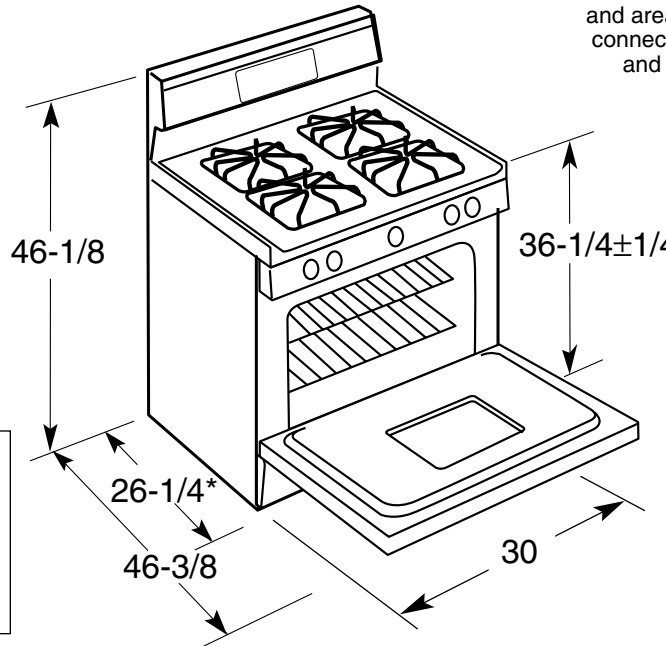
Installation Information: Before installing, consult installation instructions packed with product for current dimensional data.



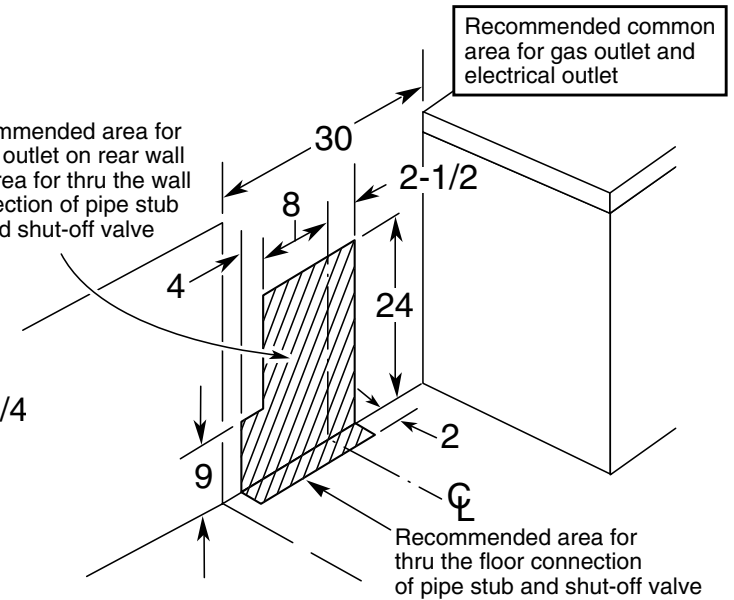
All 30" GE gas and electric range backguards are 30-7/8" wide.*

Note: 30" ranges conform to U.L. requirements for 0" spacing from adjacent walls below countertops. To reduce possible scorching of walls, engineering recommends a minimum of 1-1/2" spacing to allow for possible extended, high heat, no-load heating element operation.

*Except these models: JGBS07, JGBS04, JGBP90, all GE Profile free-standing electric and gas ranges
Fits most countertop backsplash applications. Consult Use & Care Manual for detailed installation instructions.



Recommended area for 120V outlet on rear wall and area for thru the wall connection of pipe stub and shut-off valve



Recommended area for thru the floor connection of pipe stub and shut-off valve

* Dimension from the wall to the front of the closed door handle is 29". Depth to front edge of cooktop 25-1/4".

For answers to your Monogram,® GE Profile™ or GE® appliance questions, visit our website at ge.com or call GE Answer Center® service, 800.626.2000.



All GE ranges are equipped with an Anti-Tip device. The installation of this device is an important, required step in the installation of the range.

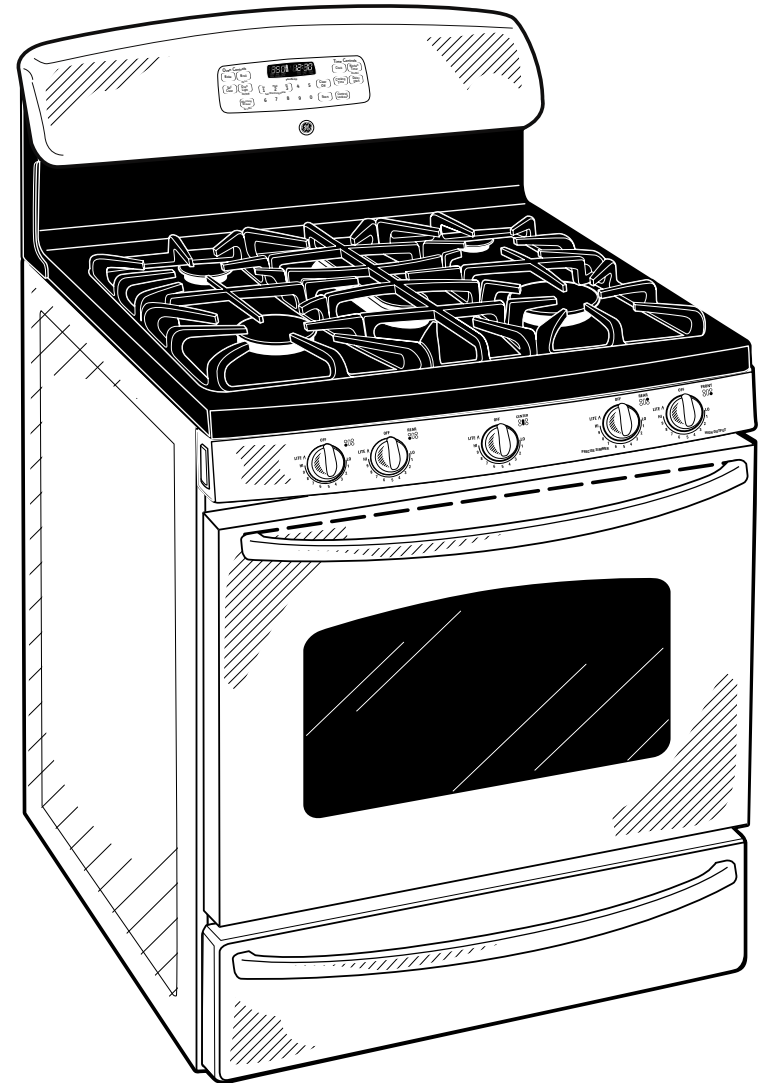


JGBP88SEM

GE® 30" Free-Standing Self-Clean Gas Range

Features and Benefits

- Self-Clean Oven - Conveniently cleans the oven cavity without need of scrubbing
- Extra-Large Oven Capacity - Provides a large oven interior ideal for cooking more items at once
- Deep Recessed Cooktop - Designed with a recessed surface to help contain spills and make cleaning easy
- Center Oval Burner - Adds a fifth element to the center of the cooktop, ideal for griddle or odd-size cookware
- Non-Stick Griddle - Offers a flat cooking surface, placed over the center oval burner, for cooking multiple foods at once
- PowerBoil™ 17,000 BTU Burner - Delivers 17,000 BTUs of forceful heat for rapid boiling
- Warming Drawer - Convenient drawer keeps breads, desserts or just-cooked foods warm and ready-to-serve
- QuickSet V Oven Controls - Feature an easy to use design that allows you to set precise cooking temperatures
- Precise Simmer Burner - Delivers a low setting of 140 degrees, ideal for delicate foods and sauces
- Continuous Grates - Provide a flat, sturdy surface allowing easy movement of pans between burners
- Dishwasher-Safe Grates - Feature durable construction for worry-free and effortless cleaning and maintenance
- Sealed Cooktop Burners - Eliminate the space between the burners and the cooktop to help contain spills and boil over liquids, ensuring easy cleanup
- Model JGBP88SEMSS - Stainless steel



imagination at work