

# RB526DH

## Hotpoint® 30" Free-Standing Electric Range

### DIMENSIONS AND INSTALLATION INFORMATION (IN INCHES)

#### RECEPTACLE LOCATIONS

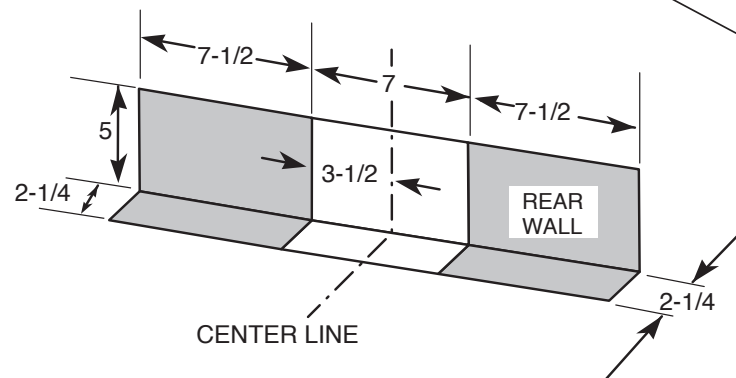
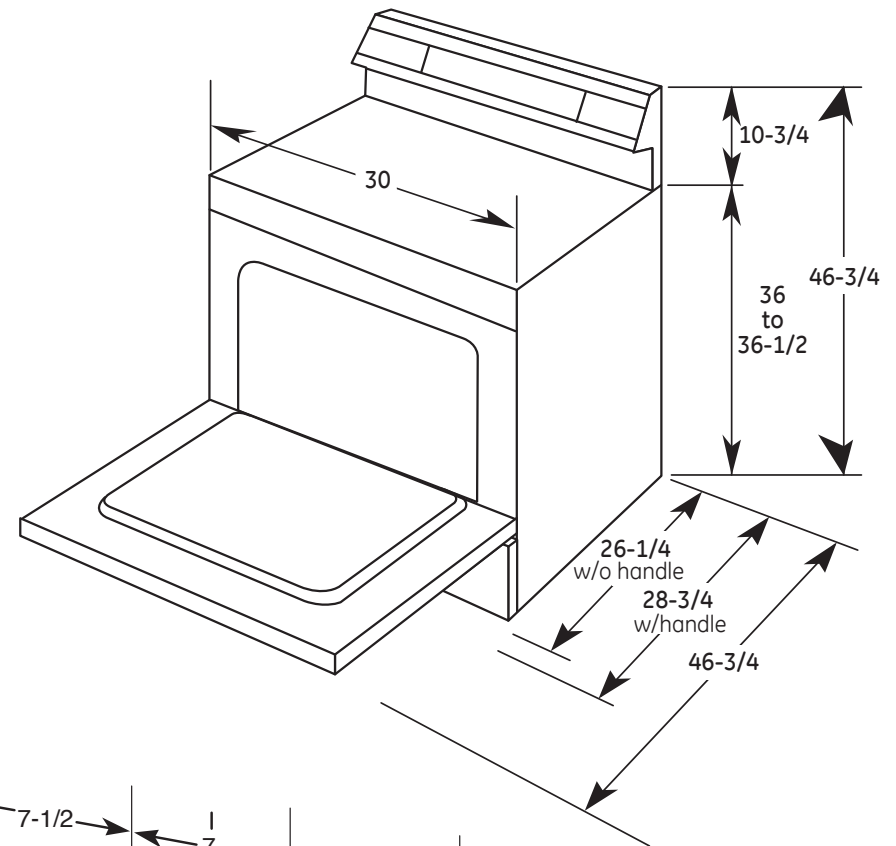
Locally approved flexible service cord or conduit must be used because terminals are not accessible after range installation. See shaded area in drawing for location of electrical outlet box. Recommended outlet locations allow range to be installed directly against wall.

**NOTE:** This appliance has been approved for 0" spacing to adjacent surfaces above the cooktop. However, a 6" minimum spacing to surfaces less than 15" above the cooktop and adjacent cabinet is recommended to reduce exposure to steam, grease splatter and heat.

**INSTALLATION INFORMATION:** Before installing, consult installation instructions for current dimensional data and additional requirements.

KW RATING	
240V	10.1
208V	8.7
BREAKER SIZE	
240V	40 Amps†
208V	40 Amps†

†NOTE: Check local codes for required breaker size.



For answers to your Monogram, GE Profile™ Series or GE® Series appliance questions, visit our website at [geappliances.com](http://geappliances.com) or call GE Answer Center® service, 800.626.2000.



All GE ranges are equipped with an Anti-Tip device. The installation of this device is an important, required step in the installation of the range.

# RB526DH

## Hotpoint® 30" Free-Standing Electric Range

### FEATURES AND BENEFITS

Standard clean oven – Smooth surface and rounded corners make clean-up quick and easy

Coil heating elements – Provide even heat and easy cleanup

Electronic clock and timer – Help cooks coordinate meal preparation and cooking

Standard window – Provides a convenient viewing area to check the progress of food

Porcelain upswept cooktop – Raised edges contain spills, while the surface is easy to wipe clean

Two oven racks – Durable to securely hold any cookware

5.0 cu. ft. oven capacity – Cook more dishes at once

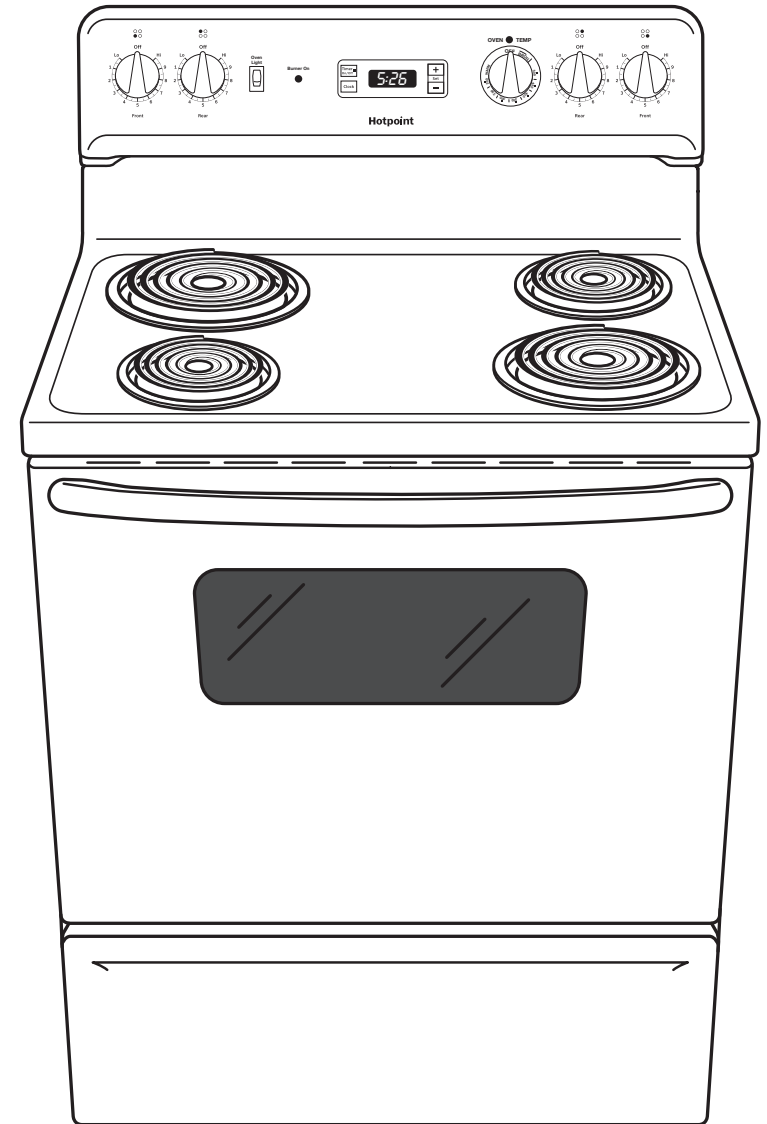
Removable full-width storage drawer – Store cookware or kitchen accessories

Element “On” indicator light – Know when an element is on

Model RB526DHBB – Black on black

Model RB526DHWW – White on white

Model RB526DHCC – Bisque on bisque



GE APPLIANCES