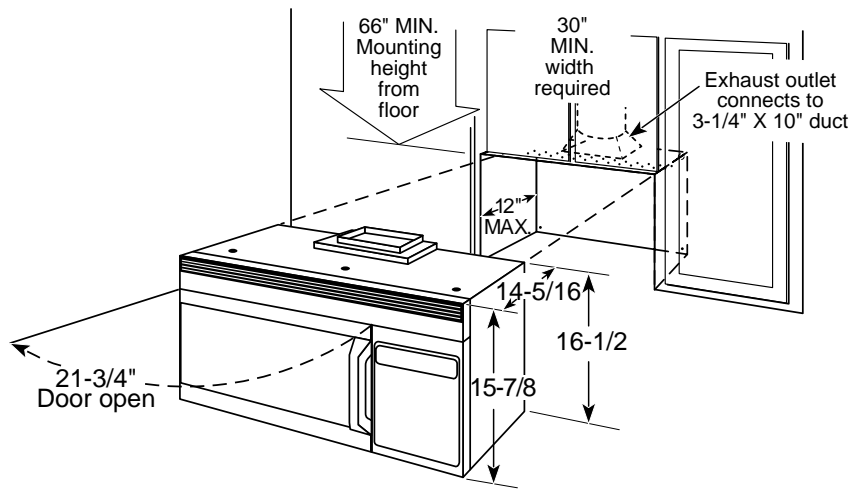


HOTPOINT

RVM1425BA—Counter Saver Plus™ Over-The-Range Microwave Oven

Dimensions (in inches)



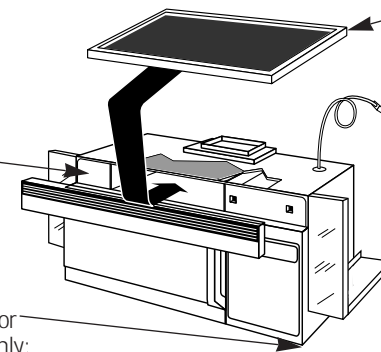
Important Information: When installing the Counter Saver Plus™ microwave oven over a range, allow minimum of 2" from bottom of Counter Saver Plus™ microwave oven to top of range backguard to allow for removal of light covers.

Installation Information: This information is not intended to be used for installing unit described. Before installing, consult installation instructions packed with product/kit for current dimensional data.

Optional Accessories (Available at additional cost)

- 12" Filler Panel Kits
 JX41—Black Filler Panel Kit
 JX40WH— White Filler Panel Kit
- 15" Filler Panel Kit
 JX46BL—Black Filler Panel Kit
 JX46WH—White Filler Panel Kit

When replacing a 36" or 42" range hood, this kit fills in the additional width to provide a custom, built-in appearance. For installation between cabinets only; not for end-of-cabinet installation. Each kit contains two, 3"-wide filler panels. Two kits are needed for a 42" opening.



JX81A—Recirculating Charcoal Filter Kit
 To be used when the Counter Saver Plus™ microwave oven cannot be vented to the outside.

Ventilation Options: The Counter Saver Plus™ microwave oven is designed for adaptation for the following three types of ventilation:

Outside Exhaust (Vertical—as shown above)

Outside Exhaust (Horizontal)

Recirculating Exhaust (Non-vented ductless—see Filter Kit Drawing)

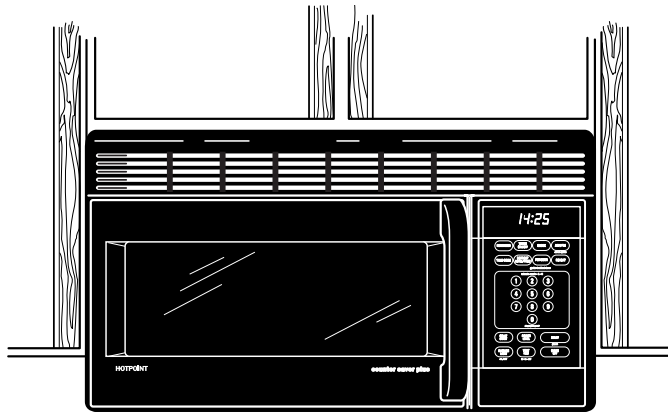
Note: Before installing, consult installation instructions for current dimensional data on these three types of ventilation

For answers to your Monogram®, GE Profile Performance Series™, GE Profile™, and GE appliance questions, call GE Answer Center® service, 800.626.2000.



HOTPOINT

RVM1425BA—Counter Saver Plus™ Over-The-Range Microwave Oven



Features and Benefits

- 1.4 cu. ft. Oven Cavity
- Powerful 900 Watts[®]
- Interactive Display System
- Electronic Scrolling Digital Display with Clock and AM/PM Pad
- Variable Scroll Speed
- Popcorn and Reheat Pads
- Time Cook I & II
- Auto Defrost / Time Defrost
- Express Cook with Instant On Controls
- Cooking Complete Reminder
- Delay Start / Reminder
- Concurrent Programming
- Display On/Off
- Timer On/Off
- Child Lock-Out
- 10 Power Levels
- Turntable
- Full-View Cooktop Lighting
- Two-Speed, High-Capacity Exhaust Fan
- Model RVM1425WA—White
- Model RVM1425BA—Black

© IEC-705 Test Procedure