

# PLU621RTSS

## GE Profile™ 21" RV Rangetop

### DIMENSIONS AND INSTALLATION INFORMATION (IN INCHES)

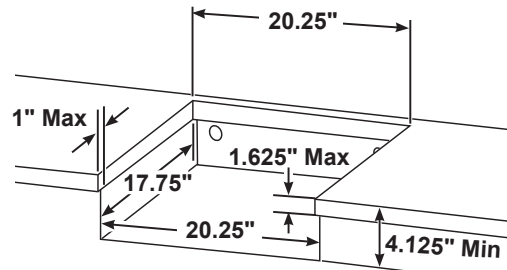
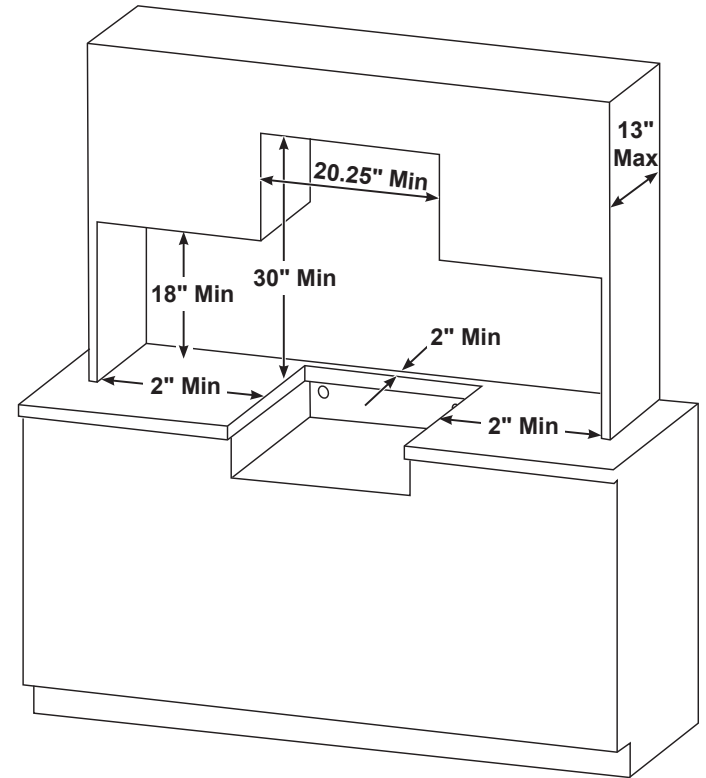
**NOTE:** This appliances has been approved for 2" spacing to the rear of the cooktop. However, a 2" minimum spacing to each side is required for surfaces less than 18" above the cooktop.

\*For overhead cabinets depths exceeding 13", refer to NFPA 1192 Table 5.6.6.5 for hood requirements.

<b>NOMINAL VOLTAGE</b>
12 VDC
<b>OPERATING RANGE</b>
10.5 VDC - 15.5 VDC
<b>FUSE (MAX)</b>
15 AMP

POSITION	BURNER RATING BTU/HR>)
Rear Left	6,500
Rear Right	6,500
Center	8,000

Dimension and installation information are shown in inches.



ANSI Z21.57-2010 Recreational Vehicle Cooking Gas Appliances

ANSI Z21.57a-2012 Addenda to recreational Vehicle Cooking Gas Appliances

CAN1-1.16-M79 (reaffirmed 2016) Propane Fired Cooking Appliance For Recreational Vehicles



For answers to your Monogram, GE Café™, GE Profile™ or GE Appliances product questions, visit our website at [geappliances.com](http://geappliances.com) or call GE Answer Center® Service, 800.626.2000.



Specification Revised 10/22

# PLU621RTSS

## GE Profile™ 21" RV Rangetop

### FEATURES AND BENEFITS

21" Rangetop - Discover how this 21" RV rangetop fits perfectly into your camper for easy on-the-go cooking

12V DC Voltage Rating - Conveniently use your 12V DC rangetop with your RV's 12 volt system for power thanks to this hardwired rangetop

Spark Ignition System - Easily light the burners with push-to-turn knobs that start the flow of propane and create the spark, just like the knobs on a household gas range

White Backlit Range Knobs - White backlit rangetop knobs can conveniently be turned on and off for easy visibility any time of day

RV Rangetop with Cast Metal Knobs - The heavy cast metal knobs offer ultimate durability with high end fit, feel and finish of stainless steel

Edge-to-Edge Grates - Easily move cookware on this seamless surface cooktop with continuous black matte grates

Three RV Burners - The three-burner RV rangetop has an 8,000-BTU burner in the front and two 6,500-BTU burners in the back, offering plenty of heating power and space to cook multiple dishes at once

Liquid Propane Fuel - Fully contain liquid propane in your RV for easy mobile cooking on your propane gas rangetop

Sealed Cooktop Burners - Sealed cooktop burners contain cooking spills so cleanup is quick and easy

Secure, Removable RV Rangetop Grates - Rubber feet keep the RV rangetop grates fixed in place and eliminate noise, but each grate is easily removable for quick cleaning

RV Cooktop Cover (Sold Separately) - The glass rangetop cover has rubber feet on the bottom to fit perfectly and silently on the grates. Use it as a cutting board or for extra countertop space while cooking

Model PLU621RTSS - Stainless Steel

