



# Water Softening system

**Safety Instructions**  
Proper installation . . . . .3

**Installation Instructions**  
Drain connections . . . . .7, 8  
Important recommendations . .4  
Installation instructions . . . .4-6  
Planning and location . . . . .5  
Programming the control . . . . .9  
Sanitizing . . . . .10  
Specifications and dimensions . . . . .10  
Step-by-step instructions . . .7-10  
Tools and materials required . .5  
Unpacking and inspection . . . .4

**Operating Instructions, Tips**  
Breaking a salt bridge . . . . .12  
Cleaning the nozzle and venturi assembly . . . . .12  
Control displays . . . . .13  
Electronic diagnostics . . . . .15  
Features . . . . .13, 14  
Regenerating the system . . . .16  
Service . . . . .11  
Water softener system . . . .11-16

**Care and Cleaning**  
Cleaning out iron . . . . .16  
Salt storage level and refilling . . . . .16

**Troubleshooting Tips** . . .17-19

**Consumer Services**  
Important phone numbers . . . . .Back Cover  
Parts list/catalog . . . . .20-23  
Warranty (U.S.) . . . . .24  
Warranty (Canada) . . . . .25

**Owner's Manual & Installation Instructions**  
Models GXSF27B GNSF35Z GXSF39B

Système  
**Adoucisseur d'Eau**

**Manuel du Propriétaire et Directives D'Installation**  
Modèles GXSF27B GNSF35Z GXSF39B  
*La section française commence à la page 27*

Sistema de  
**Descalcificación de Agua**

**Manual del Propietario y Instrucciones de Instalación**  
Modelos GXSF27B GNSF35Z GXSF39B  
*La sección en español empieza en la página 53*



# GE & You, A Service Partnership.

---



## IMPORTANT!

Fill out the Consumer Product Registration Card.

**Two easy ways to register your appliance!**

- Through the internet at [www.geappliances.com](http://www.geappliances.com)
- Complete and mail the enclosed Product Registration Card



## FOR YOUR RECORDS

**Write the model and serial numbers here:**

# \_\_\_\_\_

# \_\_\_\_\_

You can find them on the back of the control head.

**Staple sales slip or cancelled check here.**

Proof of the original purchase date is needed to obtain service under the warranty.



## READ THIS MANUAL

Inside you will find many helpful hints on how to use and maintain your water system properly. Just a little preventive care on your part can save you a great deal of time and money over the life of your system.



## IF YOU NEED SERVICE

You'll find many answers to common problems in the *Before You Call For Service* section. If you review our chart of *Troubleshooting Tips* first, you may not need to call for service at all.

If you do need service, you can relax knowing help is only a phone call away. A list of toll-free customer service numbers is included in the back section of this manual.

**OR**

Visit our Website at: [www.geappliances.com](http://www.geappliances.com)

# IMPORTANT SAFETY INFORMATION. READ ALL INSTRUCTIONS BEFORE USING.

---

## **⚠ WARNING!**

*For your safety, the information in this manual must be followed to minimize the risk of electric shock, property damage or personal injury.*



## SAFETY PRECAUTIONS

---

- Check and comply with your state and local codes. You must follow these guidelines.
  - Use care when handling the water softening system. Do not turn upside down, drop, drag, or set on sharp protrusions.
  - Water softening systems using sodium chloride (salt) for regeneration add sodium to the water. *Persons on sodium restricted diets should consider the added sodium as part of their overall intake. Potassium chloride can be used as an alternative to sodium chloride in your softener.*
  - The water softening system works on 24 volt-60 Hz electrical power only. *Be sure to use only the included transformer.*
  - Transformer must be plugged into an indoor 120 volt, grounded outlet only.
  - Use clean water softening salts only, at least 99.5% pure. NUGGET, PELLET or coarse SOLAR salts are recommended. Do not use rock, block, granulated or ice cream making salts. They contain dirt and sediments, or mush and cake, and will create maintenance problems.
  - Keep the salt hole cover in place on the softener unless servicing the unit or refilling with salt.
- ⚠ WARNING: Do not** use with water that is microbiologically unsafe or of unknown quality without adequate disinfection before or after the system.



## PROPER INSTALLATION

---

*This water softening system must be properly installed and located in accordance with the Installation Instructions before it is used.*

- Install or store where it will not be exposed to temperatures below freezing or exposed to any type of weather. Water freezing in the system will break it. Do not attempt to treat water over 100°F.
  - **Do not** install in direct sunlight. Excessive sun heat may cause distortion or other damage to non-metallic parts.
  - Properly ground to conform with all governing codes and ordinances.
  - Use only *lead-free solder and flux* for all sweat-solder connections, as required by state and federal codes.
  - The water softening system requires a minimum water flow of three gallons per minute at the inlet. Maximum allowable inlet water pressure is 125 psi. If daytime pressure is over 80 psi, nighttime pressure may exceed the maximum. Use a pressure reducing valve to reduce the flow if necessary.
  - Softener resins may degrade in the presence of chlorine above 1 ppm. If you have chlorine in excess of this amount, you may experience less life of the resin. In these conditions, you may wish to consider purchasing a GE point-of-entry household filtration system with a chlorine reducing filter.
- ⚠ WARNING:** Discard all unused parts and packaging material after installation. Small parts remaining after the installation could be a choke hazard.



*READ AND FOLLOW THIS SAFETY INFORMATION CAREFULLY.*

---

**SAVE THESE INSTRUCTIONS**

# Installation instructions.

---



**CAUTION:** Certain plumbing skills are needed for installation. If you are unsure about any part of the installation of this product, consult a professional plumber.

## **Unpacking and Inspection**

Be sure to check the entire softener for any shipping damage or parts loss. Also note damage to the shipping cartons. Contact the transportation company for all damage and loss claims. The manufacturer is not responsible for damages in transit.

Small parts, needed to install the softener, are on a skin-packed cardboard piece. To avoid loss of the small parts, keep them on the skin-pack until you are ready to use them.

---

## **Important Installation Recommendations**

Read entire manual. Failure to follow all guidelines and rules could cause personal injury or property damage.

- Before you begin installation, read these Installation Instructions completely. Then, obtain all the materials and tools you will need to make the installation. Failure to properly install the softener voids the warranty.
- Check local codes. The installation must conform to them.
- **In the Commonwealth of Massachusetts, Plumbing Code 248 CMR shall be adhered to. Consult with your licensed plumber.**
- Use only lead-free solder and flux for all sweat-solder connections, as required by state and federal codes.
- Connect the softener to the main water supply pipe **before** or **ahead of the** water heater. **DO NOT RUN HOT WATER THROUGH THE SOFTENER.** Temperature of water passing through the softener must be less than 120°F.
- Use care when handling the softener. Do not turn upside down, drop, drag, or set on sharp protrusions.
- Maximum allowable inlet water pressure is 125 psi. If daytime pressure is over 80 psi, nighttime pressure may exceed the maximum. Use a pressure reducing valve if necessary. (Adding a pressure reducing valve may reduce the flow.)
- The softener works on 24 volt-60 Hz electrical power only. Be sure to use the included transformer. Be sure the electric outlet and transformer are in an inside location to protect from wet weather.
- See *Where to Install the Softener* section for more details.



**WARNING:** Do not use with water that is microbiologically unsafe or of unknown quality without adequate disinfection before or after the system. The water should be tested periodically to verify that the system is performing satisfactorily.

Small parts remaining after the installation could be a choke hazard. Discard safely.

---

## ***Plan How You Will Install the Softener***

You must first decide how to run in and out pipes to the softener. Look at the house main water pipe at the point where you will connect the softener. Is the pipe soldered copper, glued plastic, or threaded galvanized? What is the pipe size?



**WARNING:** Use only lead-free solder and flux to prevent lead poisoning.

See *Typical Installation Illustration*, Fig. 1. Use this as a guide when planning your particular installation. **Be sure to direct the incoming hard water supply to the softener valve inlet fitting.** The valve is marked **IN** and **OUT**. See illustration on page 6 to help you prepare.

---

## ***Where to Install the Softener***

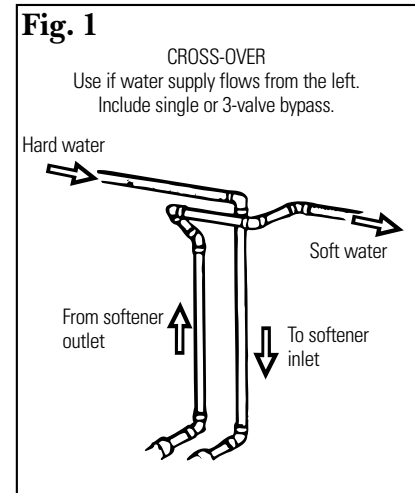
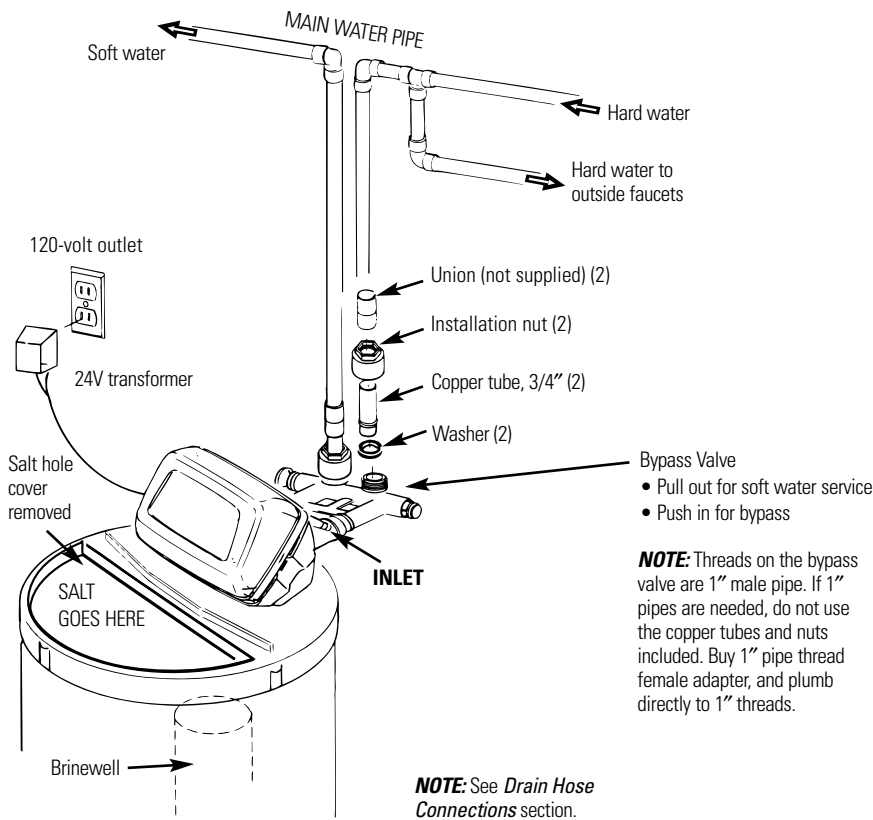
- Place the softener as close as possible to a sewer drain, or other acceptable drain point or standpipe.
  - It is recommended to keep outside faucets on hard water to save soft water and salt.
  - Do not install the softener in a place where it could freeze. **Freeze damage is not covered by the warranty.**
  - Do not install the softener where it would block access to the water heater or access to the main water shutoff.
  - Put the softener in a place where water damage is least likely to occur if a leak develops. The manufacturer will not repair or pay for water damage.
  - A 120 volt electric outlet is needed to plug in the included transformer. The softener has a 10 foot power cable. If the outlet is remote (up to 100 feet), use 18 gauge wire to connect. **Be sure the electric outlet and transformer are in an inside location, to protect from wet weather.** Be sure the outlet is unswitched to prevent accidental shutoff.
  - If installing in an outside location, you must take the steps necessary to assure the softener, installation plumbing, wiring, etc., are as well protected from the elements (sunlight, rain, wind, heat, cold), contamination, vandalism, etc., as when installed indoors.
  - **Keep the softener out of direct sunlight.** The sun's heat may distort non-metallic parts and may damage the electronics.
- 

## ***Tools and Materials Required for Installation***

- In and out fittings included with the softener are 3/4" (nominal) copper sweat tubes. To maintain full valve flow, 1" pipes to and from the softener fittings are recommended. You should maintain the same, or larger, pipe size as the water supply pipe, up to the softener inlet and outlet.
- Use the included bypass valve to install the softener. The bypass valve allows you to turn off water to the softener for servicing, but still have water in the house pipes. The in and out fittings referred to above connect to the bypass valve with the included nuts and washers.
- Use copper, brass or galvanized pipe and fittings. Some codes may also allow CPVC plastic pipes.
- If additional drain hose is needed for valve and salt tank drains, it can be ordered from GE Parts at 800.626.2002.
- If a rigid valve drain is needed to comply with plumbing codes, you can buy the parts needed to connect a 1/2" copper tubing or plastic pipe drain.
- Clean nugget or pellet water softener salt is needed to fill the brine tank, see *Step 8* in the *Step-by-Step Installation Instructions*.

# Installation instructions.

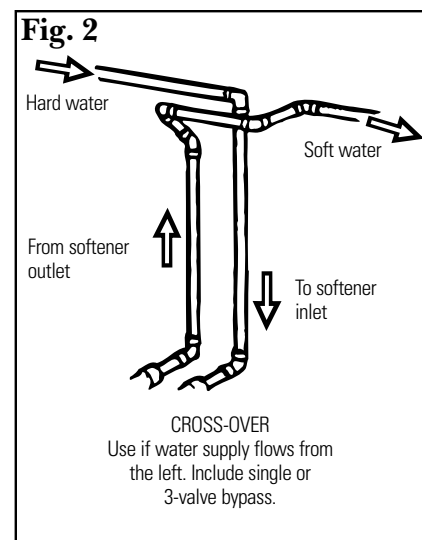
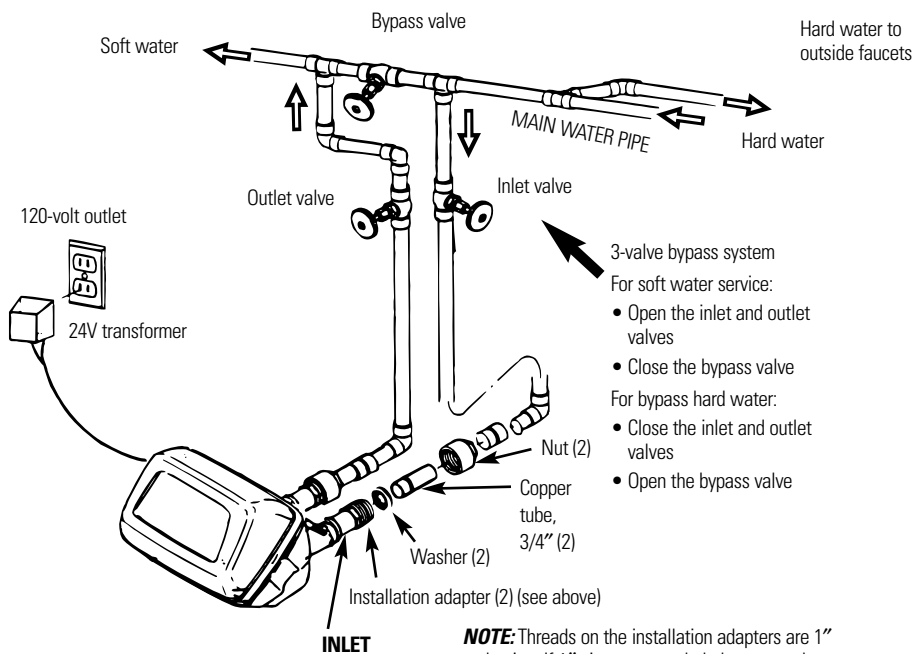
## Typical Installation Illustration



## Optional 3-Valve Bypass Installation Illustration

Adapters for this installation are not supplied with the softener.

To order these adapters, call GE Parts 800-626-2000. (Ask for Part # WS60X10006.)



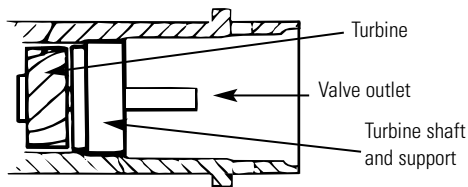
# Step-by-step installation instructions.

- Turn off the gas or electric supply to the water heater, in the possibility that the water heater may be drained while draining pipes.
- Turn off the water supply to pipes to be cut and drain the house water pipes.
- Open both hot and cold faucets.

## 1. INSTALL BYPASS VALVE

- Remove plastic shipping plug and wire from valve outlet.

**NOTE:** Be sure the turbine and support are firmly in place in the valve outlet. Blow into the valve port and observe the turbine for free rotation.



- Push the bypass valve (lubricate o-ring seals with silicone grease) into both ports of the valve as shown in Fig. 3A.
- Snap the 2 large plastic clips in place, from the top, down as shown in Figures 3A and 3B. **Be sure they snap into place. Pull on the bypass valve to make sure it is held securely in place.**

## 2. MOVE THE SOFTENER ASSEMBLY INTO INSTALLATION POSITION:

- Be sure the installation surface is level and smooth. Sharp objects under the tank may puncture it. If needed, place the tank on a section of 3/4" thick (minimum) plywood. Then, place shims under the plywood as needed to level the softener.

## 3. PLUMB IN AND OUT PIPES TO AND FROM SOFTENER:

**⚠ CAUTION:** Observe all of the following cautions as you connect inlet and outlet plumbing. See Fig. 1 or 2.

- **BE SURE INCOMING HARD WATER SUPPLY IS DIRECTED TO THE SOFTENER VALVE INLET PORT.** If house water flow is from the left, use a plumbing **cross-over** as shown in Fig. 1.
- If making a soldered copper installation, **do all sweat soldering before connecting pipes to the bypass valve.** Torch heat will damage plastic parts.
- When turning threaded pipe fittings onto plastic fittings, **use care not to cross-thread.**
- Use pipe joint compound on all external pipe threads.
- Support inlet and outlet plumbing in some manner (use pipe hangers) **to keep the weight off of the valve fittings.**

## 4. CONNECT AND RUN THE VALVE DRAIN HOSE:

- Use the provided drain hose (20' length included) to attach to the valve drain fitting. To keep water pressure from blowing the hose off, use a hose clamp to secure in place.
- Locate the other end of the hose at a suitable drain point (floor drain, sump, laundry tub, etc.) that terminates at the sewer. **Check and comply with local codes.**

**IMPORTANT:** If more drain hose is needed, it should be ordered from GE Parts at 800.626.2002. **The water softener will not work if water cannot exit this hose during regenerations.**

- Tie or wire the hose in place at the drain point. High water pressure will cause it to whip during the back-wash and fast rinse cycles of regeneration. **Also provide an air gap of at least 1-1/2" between the end of the hose and the drain point.** An air gap prevents possible siphoning of sewer water into the softener, if the sewer should "back-up."
- If raising the drain hose overhead is required to get to the drain point, **do not raise higher than 8' above the floor.** Elevating the hose may cause a back-pressure that could reduce brine draw during regenerations.

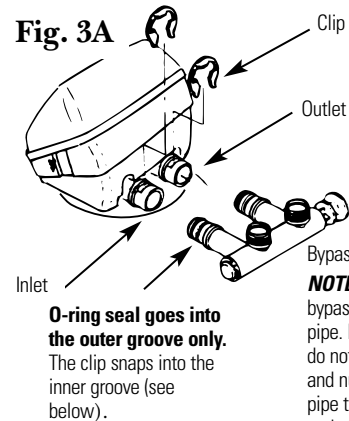


Fig. 3B

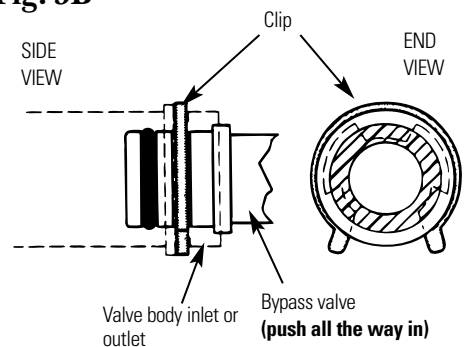


Fig. 3C

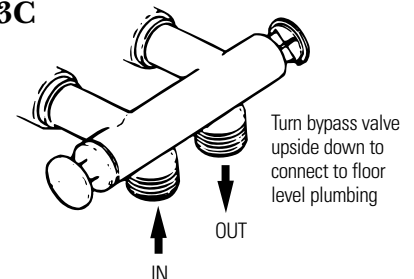
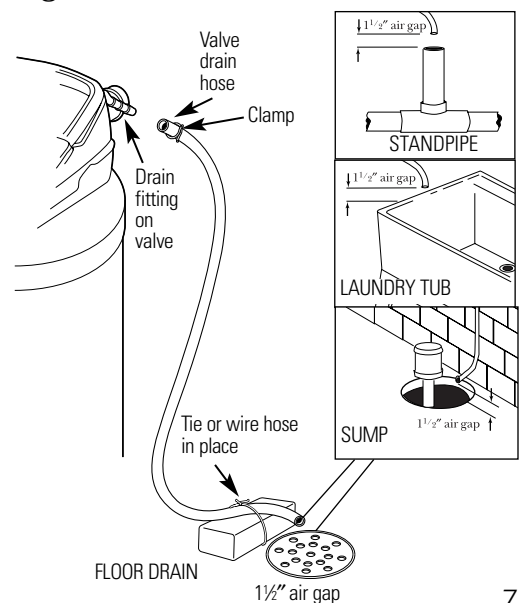


Fig. 4



# Step-by-step installation instructions.

## 4A. CONNECTING A RIGID VALVE DRAIN TUBE

- To adapt a copper drain tube to the softener, use a hacksaw to cut the barbed end from the drain fitting as shown in Fig. 4A. Rotate the drain fitting so the cutting blade clears the valve housing to prevent damage to valve. Buy a compression fitting (1/4" female pipe thread x 1/2" O.D. tube) and needed tubing from your local hardware store.

## 5. INSTALL THE BRINE TANK OVERFLOW FITTINGS AND HOSE

- Insert the rubber grommet into the 3/4" diameter hole in the brine tank sidewall as shown in Fig. 5.
- Push the end of the hose adapter elbow into the grommet as shown in Fig. 5.
- Attach a length of hose (use remaining hose from Step 4) to the hose adapter elbow. Use a hose clamp to hold it in place.
- Locate the other end of the hose at the drain point. **DO NOT ELEVATE** this hose higher than the elbow on the brine tank.

### IMPORTANT: DO NOT TEE OVERFLOW HOSE TO VALVE DRAIN HOSE.

**NOTE:** This drain is for safety only. If the cabinet (brine tank) should over-fill with water, the excess is carried to the drain.

## 6. INSTALL GROUNDING CLAMPS AND WIRE

- ⚠ **DANGER:** Failure to properly attach ground wire could result in electrical shock.

- If plumbing is metal, to **maintain electrical ground continuity** in the house cold water piping, install the included ground clamps as shown in Fig. 6. Be sure the pipes are clean under the clamps to assure good contact.

## 7. FLUSH PIPES, EXPEL AIR FROM SOFTENER, AND TEST YOUR INSTALLATION FOR WATER LEAKS:

- ⚠ **CAUTION:** To avoid water or air pressure damage to softener inner parts, be sure to do the following steps in exact order.

- Fully open 2 cold soft water faucets nearby the softener.**
- Place bypass valve in "bypass" position by pushing the stem inward.**
- Fully open the house main water pipe shutoff valve. Observe a steady flow from both faucets opened in step A, above.**
- Place bypass valve in the "service" position EXACTLY as follows. KEEP SOFT WATER FAUCETS OPEN.**  
SLOWLY pull or slide the valve stem (out) toward the service position, pausing several times to allow the softener to pressurize slowly.
- After about 3 minutes, open a HOT water faucet for 1 minute, or until all air is expelled, then close. NOTE:** If water appears cloudy or has salty taste, allow to run for several more minutes, or until clear.
- Close all water faucets.**
- Check your plumbing work for leaks and fix right away if any are found.**  
Be sure to observe previous caution notes.
- Turn on the gas or electric supply to the water heater. Light the pilot, if applicable.**

## 8. ADD WATER AND SALT TO THE BRINE TANK:

- Lift the cabinet (brine tank) cover. Add about 3 gallons of water into the tank. Do not add into the brinewell.
- Fill tank with NUGGET, PELLET or coarse SOLAR water softener salt with a purity of 99.5% or higher. **Do not use** rock, block, granulated, and ice cream-making salts, or **salt with iron-removing additives** (except for Diamond Crystal® Red-Out® brand salt). Salt storage capacity is approximately 200 lbs. Keep the salt hole cover in place on the softener unless servicing the unit or refilling with salt.

**NOTE:** If the softener is installed in a humid basement or other damp area, it is better to **fill the tank with less salt, more frequently.** Eighty to 100 lbs. of salt will last for several months, depending on water hardness, family size and water softening system model.

## 9. CONNECT TO ELECTRICAL POWER:

- If transformer wiring is not visible at the back of the control head, remove control cover. **DO NOT PULL ON OR DISCONNECT WIRING.** Locate the long wire with "U" shaped connectors on one end. Route this wire through the rear of the control housing. Replace the control cover.
- Fasten the 2 power cable lugs ("U" shaped connectors) to the 2 screws on the transformer, and tighten the screws. Then, plug the transformer into the electrical outlet.
- The softener works on 24 volt-60Hz electric power. The included transformer changes standard 120 volt AC house power to 24 volts. **Plug the transformer into a 120 volt outlet only.** Be sure the outlet is always live so it can not be switched off by mistake.

## 10. PROGRAM THE CONTROL:

- ⌘ • See Programming the Control section.

Fig. 4A

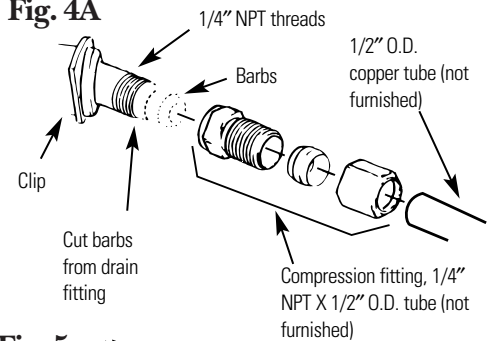


Fig. 5

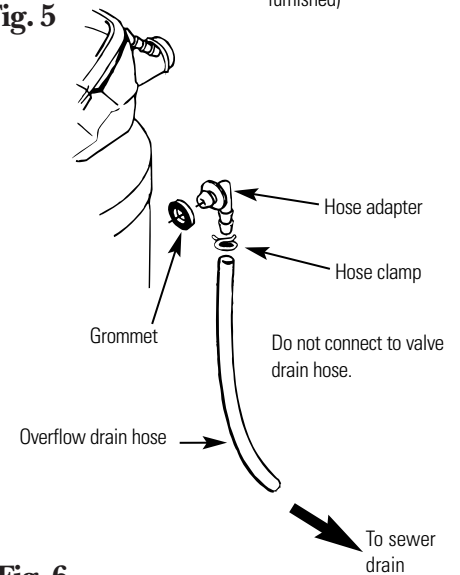
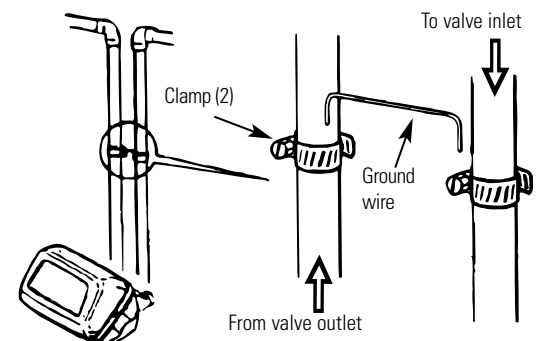


Fig. 6







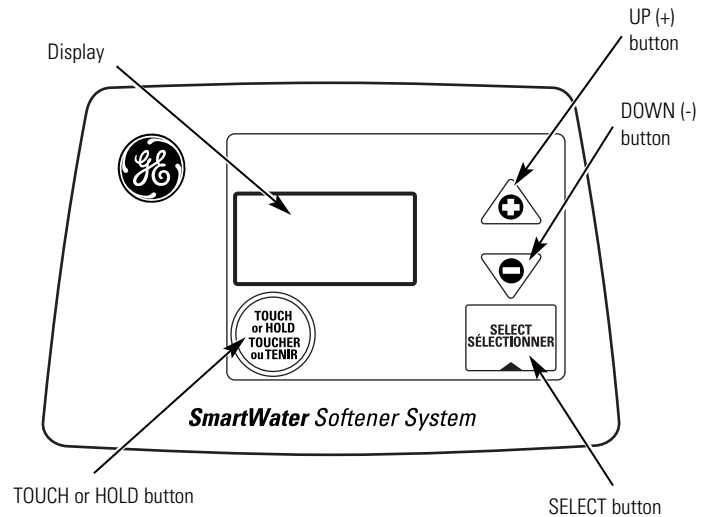


## Programming the Control

**CONTROL SETTINGS REQUIRED** upon installation and after an extended power outage.

### NOTES:

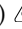
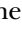
- WHEN THE TRANSFORMER IS PLUGGED INTO THE ELECTRICAL OUTLET (see step 9), 12:00 AM (flashing), and PRESENT TIME show in the display area. Program the control as instructed below. **If SR -- is flashing**, use the UP (+)  button to set the correct SR code as follows: **SR35** for GNSF35, **SR31** for GXSF39, or **SR22** for GXSF27. If you pass by the correct code number, use the DOWN (-)  button. Then press the SELECT button and program the control.
- A “beep” sounds while pressing buttons for control programming. One beep signals a change in the control display. Repeated beeps mean the control will not accept a change from the button you have pressed, and you should use another button.
- To program the control, you will use the UP (+) , DOWN (-)  and SELECT buttons.



### SET PRESENT TIME OF DAY


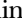


**NOTE:** If the words PRESENT TIME do not show in the display, press the SELECT button until they do.

1. Press the UP (+)  or DOWN (-)  button to set. The UP button moves the display ahead; the DOWN button moves the time backward.

If the present time is between noon and midnight, be sure PM shows



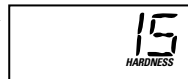
**NOTE:** Each press of an UP (+)  or DOWN (-)  button changes the time by one minute. Holding the button in changes the time 32 minutes each second




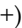


2. When the present time shows, press SELECT to set. If the present time is between midnight and noon, be sure AM shows.

### SET WATER HARDNESS NUMBER

**NOTE:** If 15 (factory default) and HARDNESS do not show in the display, press SELECT until they do.



1. Press the UP (+)  or DOWN (-)  button to set your water hardness number in the display. DOWN (-)  moves the display down to 1. UP (+)  moves the maximum setting.

**NOTE:** Each press of a button changes the display by 1 between 1 and 25. Above 25, the display changes 5 at a time (25, 30, 35, etc.). Holding a button in changes the numbers twice each second.

2. When your water hardness number shows, press SELECT to set.

**NOTE:** If there is clear water iron in your water supply, you will need to increase the hardness setting by 5 for each 1 ppm of clear water iron in your water supply.

You can get the grains per gallon (gpg) hardness of your water supply from a water analysis laboratory, or call and ask your local water department, if you are on a municipal supply, or call GE Answer Center® to request a water hardness test kit. If your report shows hardness in parts per million (ppm) simply divide by 17.1 to get the equivalent number of grains per gallon.

### SET REGENERATION (STARTING) TIME

**NOTE:** RECHARGE TIME and a flashing 2:00 AM (factory default) should show in the display. This is a good time for regeneration to start (over in about 2 hours) in most households because water is not in use. HARD WATER is bypassed to house faucets during regeneration.

**If no change is needed, go to step 2.** To change the regeneration starting time, follow step 1.

1. Press the UP (+)  or DOWN (-)  button to set the desired regeneration start time.

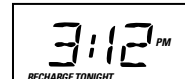
**NOTE:** Each press of the buttons changes the time by 1 hour. Holding the buttons in changes the time twice each second.

2. Press the SELECT button once more.

Be sure to observe the AM or PM, as you did when setting the time of day.



The display shows the present time of day and RECHARGE TONIGHT.



# Step-by-step installation instructions.

## Sanitizing Procedures

To complete the installation, do the following sanitizing procedures.

Care is taken at the factory to keep your water softener clean and sanitary. Materials used to make the softener will not infect or contaminate your water supply and will not cause bacteria to form or grow. However, during shipping, storage, installing and operating, bacteria could get into the softener. For this reason, sanitizing as follows is suggested when installing.

**NOTE: Sanitizing is recommended by the Water Quality Association for disinfecting.**

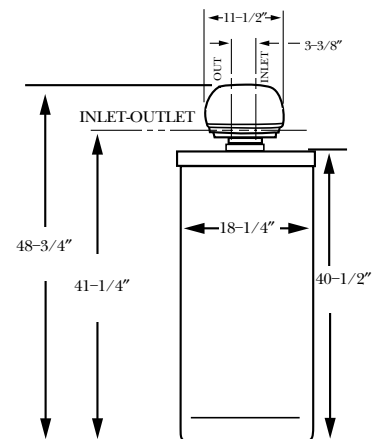
- 1 Be sure to complete all installation steps, including programming the control.
- 2 Pour about 3/4 oz. (1½ tablespoons) of common 5.25% household bleach (Clorox, Linco, Bo Peep, White Sail, Eagle, etc.) into the **brinewell**. Refer to illustration on page 6.
- 3 **IMPORTANT:** Press and hold for 3 seconds the faceplate **TOUCH/HOLD** button to start an immediate regeneration. **Recharge Now** begins to flash in the display. The bleach is drawn into and through the water softener.
- 4 If after sanitization water from house faucet tastes salty or has a slight color, this is a preservative from the resin tank. Turn on the cold soft water faucets and drain for a few minutes or until clear.

**NOTE:** When the above sanitizing regeneration is over, your house **COLD** water supply is fully soft immediately. However, your water heater is filled with hard water and as hot water is used, it will refill with soft water. When all the hard water is replaced in the water heater, hot only and mixed hot and cold water will be fully soft. If you want totally soft water immediately, after the above regeneration, drain the water heater until the water runs cold.

**⚠ WARNING:** If you do drain the water heater, use extreme care as the hot water could cause burns. Turn the water heater off prior to draining.

## SPECIFICATIONS/DIMENSIONS

	GXSF27	GNSF35	GXSF39
Rated capacity*	(see rating label on water softener)		
Amount of high capacity resin (lbs/cu. ft)	36.4/.7	48.4/.93	52.5/1
Resin tank nominal size (in., dia. x height)	8 x 40	9 x 40	9 x 40
Service flow rate (gpm)	(see rating label on water softener)		
Water supply maximum hardness (gpg)	100	100	100
Water supply maximum clear water iron (ppm)**	5	6	8
Water pressure limits (min.-max. psi)	20-125	20-125	20-125
Pressure drop at rated service flow (psig)	15	15	15
Water temperature maximum (°F)	120	120	120
Water supply minimum flow rate (gpm)	3	3	3
Regeneration cycle flow rates (gpm)			
Fill (flow to brine tank)	.3	.3	.3
Brining	.19	.20	.20
Brine Rinse	.12	.16	.16
Backwash	1.8	2.0	2.0
Fast Rinse	1.8	2.0	2.0



These systems conform to WQA S-100 for the specific capacity claims as verified and substantiated by test data.

\* Testing was performed using pellet grade sodium chloride as the regenerant salt.

\*\* Extent of iron removal may vary with conditions. Use of Diamond Crystal® Red-Out® or Super Iron Out® will improve iron removal. Refer to *Cleaning Iron Out of the Water Softening System* section.

# About the water softener system.

---

## **Service**

When the water softening system is providing soft water, it is called “Service.” During service, hard water flows from the house main water pipe into the water softening system. Inside the water softening system resin tank is a bed made up of thousands of tiny, plastic resin beads. As hard water passes through the bed, each bead attracts and holds the hard minerals. This is called ion-exchanging. It is much like a magnet attracting and holding metals. Water without hard minerals (soft water) flows from the water softening system and to the house pipes.

After a period of time, the resin beads become coated with hard minerals and they have to be cleaned. This cleaning is called regeneration, or recharge. Regeneration is started at 2:00 AM (factory setting) by the water softening system control, and consists of five stages or cycles. These are **FILL, BRINING, BRINE RINSE, BACKWASH** and **FAST RINSE**.

---

## **Automatic Hard Water Bypass During Regeneration**

For emergency needs, hard water is available to the home during the regeneration cycles.

**However, you should avoid using HOT water because the water heater will fill with the hard water.**

---

## **Fill**

Salt dissolved in water is called brine. Brine is needed to clean the hard minerals from resin beads. To make the brine, water flows into the salt storage area during the fill stage.

## **Brining**

During brining, brine travels from the salt storage area into the resin tank. Brine is the cleaning agent needed to remove hard minerals from the resin beads. The hard minerals and brine are discharged to the drain.

The nozzle and venturi create a suction to move the brine, maintaining a very slow rate to get the best resin cleaning with the least salt.

## **Brine Rinse**

After a pre-measured amount of brine is used, the brine valve closes. Water continues to flow in the same path as during brining, except for the discontinued brine flow. Hard minerals and brine flush from the resin tank to the drain.

## **Backwash**

During backwash, water travels **up** through the resin tank at a fast flow rate, flushing accumulated iron, dirt, and sediments from the resin bed and to drain.

## **Fast Rinse**

Backwash is followed by a fast flow of water **down** through the resin tank. The fast flow flushes brine from the bottom of tank, and packs the resin bed.

After fast rinse, the water softening system returns to soft water service.

# About the water softener system.

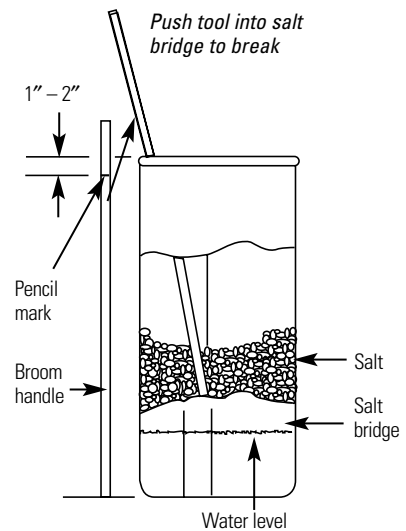
## Breaking a Salt Bridge

Sometimes, a hard crust or salt bridge forms in the salt storage area. It is usually caused by high humidity or the wrong kind of salt. When the salt bridges, an empty space forms between the water and salt. Then salt will not dissolve in the water to make brine.

If the brine tank is full of salt, it is hard to tell if you have a salt bridge. Salt is loose on top, but the bridge is under it. The following is the best way to check for a salt bridge.

Salt should be loose all the way to the bottom of the tank. Take a broom handle or like tool, and carefully push it down into the salt, working it up and down. If the tool strikes a hard object (be sure it's not the bottom or sides of the tank), it's most likely a salt bridge. Carefully break the bridge with the tool. **Do not** pound on the walls of the tank.

If the wrong kind of salt made the bridge, take it out. Then fill the tank with nugget or pellet salt only. In humid areas, it is best to fill with less salt, more often.



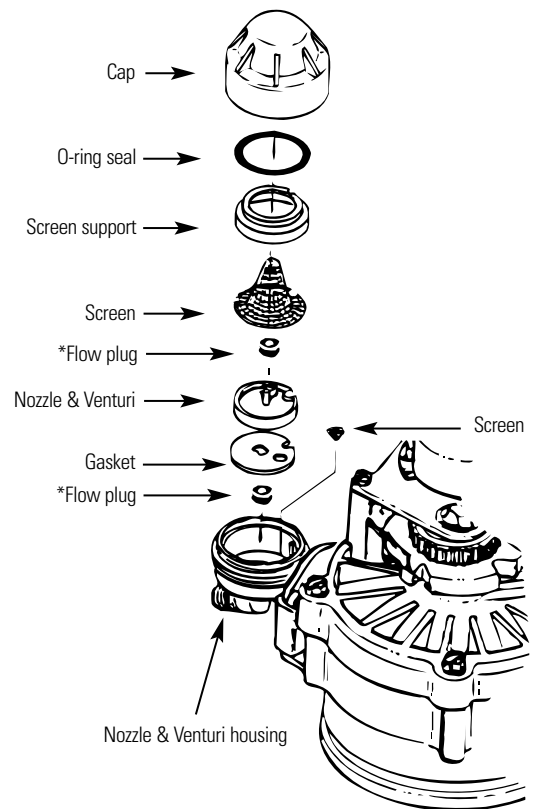
## Cleaning the Nozzle and Venturi Assembly

**A clean nozzle and venturi is needed for the water softening system to work properly.** This small unit makes the suction to move brine from the salt storage area to the resin tank during regeneration. If it becomes plugged with sand, dirt, etc., the water softening system will not work and you will get hard water.

To get to the nozzle and venturi, remove the water softening system top cover. Be sure the water softening system is in service cycle (no water pressure at nozzle and venturi). Then, while holding the nozzle and venturi housing with one hand, remove the cap. Lift out the screen support and screen, then the nozzle and venturi. Wash and rinse the parts in warm water until clean. If needed, use a small brush to remove iron or dirt. Also check and clean the gasket.

**NOTE:** Some models have a small flow plug located in the nozzle and venturi, and/or a small cone shaped screen in the housing. Be sure to check and clean these parts, if your model is so equipped.


Carefully replace all parts in the correct order. Lightly lubricate the o-ring seal with clean silicone grease or petroleum jelly and place in position. **Install and tighten the cap, by hand only. Do not over-tighten the cap.**



**IMPORTANT:** Be sure small holes in the gasket are centered directly over the small holes in the nozzle and venturi housing.  
\*Install with numbered side up, concave side down.

---

## Normal Operation, Control Displays

During normal operation, the present time of day and AM or PM show in the control display area. When the demand computer determines a regeneration is needed, **RECHARGE TONIGHT** begins to flash in the display along with the present time. **RECHARGE TONIGHT**  flashes until the next regeneration start time, then changes to **RECHARGE NOW**, which flashes until the regeneration is over.

---

### Feature: Optional Recharge Controls

Sometimes, a manually started regeneration (recharge) may be desired or needed. *Two examples:*

- You have used more water than usual (house guests, extra washing, etc.) and you may run out of soft water before the next regeneration.
- You did not refill the storage tank with salt.

Use one of the following features to start a regeneration immediately, or at the next preset regeneration start time.

**RECHARGE TONIGHT** 

Touch (do not hold) the **TOUCH or HOLD** button. **RECHARGE TONIGHT** flashes in the control display area. A regeneration will occur at the next preset regeneration start time. If you decide to cancel this regeneration, touch the same button once more.

**RECHARGE NOW** 

Press and *hold* the **TOUCH or HOLD** button until **RECHARGE NOW** starts to flash in the control display area. The water softening system begins an immediate regeneration and, when over in about two hours, you will have a new supply of soft water. Once started, you cannot cancel this regeneration.

---

### Feature: Program Memory

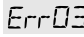
If electrical power to the water softening system is interrupted, the control display is blank, but the control keeps correct time for about six hours. When power is restored, you have to reset the present time only if the display is flashing. All other settings are maintained and never require resetting unless a change is desired.

If the time is flashing after a long power outage, the water softening system continues to work as it should to provide you with soft water. However, regenerations may occur at the wrong time of day until you reset the control to the correct time of day.

---

### Feature/Service: Automatic Electronic Diagnostics

The control computer has a self-diagnostic function for the electrical system (except input power and water meter). The computer monitors the electronic components and circuits for correct operation. If a malfunction occurs, an error code appears in the control display.

The chart on *Error Codes*  shows the error codes that could appear and possible reasons for each code. While an error code is displayed, all control buttons are inoperable except for the **SELECT** button. **SELECT** remains operational so the service person can make the *Manually Initiated Electronic Diagnostics* to further isolate the defect and check the water meter.

# About the water softener system.

## Service: Electronic Demand Time Features and Service

ERROR CODE DISPLAYED	ERR 01	ERR 02	ERR 03	ERR 04	ERR 05
POSSIBLE DEFECT	<ul style="list-style-type: none"> <li>• motor inoperative</li> <li>• wiring harness or connection to switch</li> <li>• position switch</li> <li>• control (PWA)</li> </ul>	<ul style="list-style-type: none"> <li>• position switch</li> <li>• control (PWA)</li> </ul>	<ul style="list-style-type: none"> <li>• motor inoperative or wiring harness</li> <li>• control (PWA)</li> </ul>	<ul style="list-style-type: none"> <li>• position switch or wiring harness</li> <li>• control (PWA)</li> </ul>	<ul style="list-style-type: none"> <li>• control (PWA)</li> </ul>

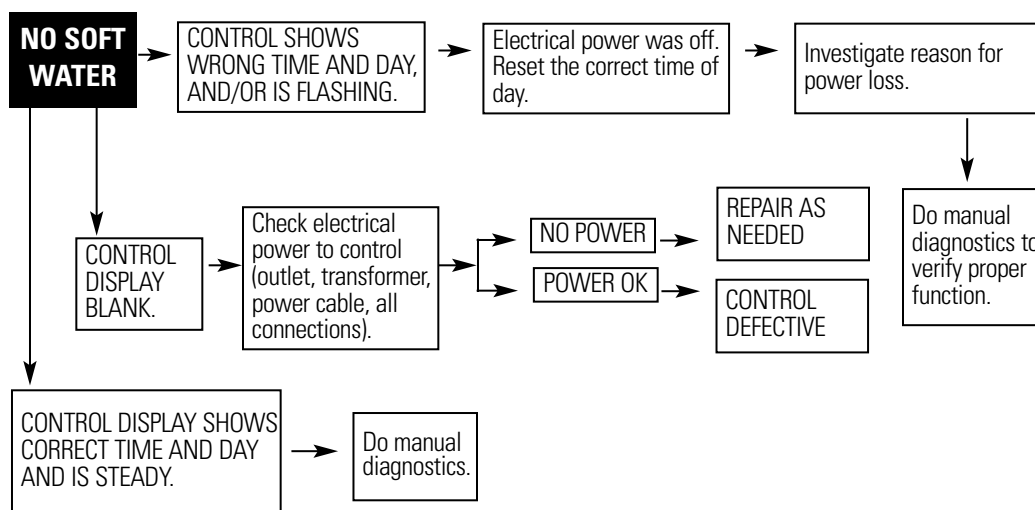
**To remove an error code:** (1) Unplug transformer.  
 (2) Correct defect.  
 (3) Plug transformer in.  
 (4) Wait for at least 6 minutes. The error code will return if the reason for the error code was not corrected.

## Service: Timer/Softener, Service Checkout Procedure

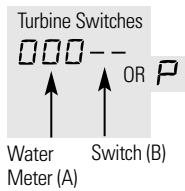
If you are not getting soft water, and an error code is not displayed, use the procedures below to find the problem. First make the following visual checks.

- VISUAL CHECKS:**
- 1 Is there electrical power to the outlet the water softening system transformer is plugged into?
  - 2 Is there sufficient salt in the storage tank? The tank should be at least 1/3 to 1/2 full of salt.
  - 3 Is the softener bypass valve directing water for soft water service?
  - 4 Is the valve drain hose open to the drain, not more than 8' above the softener, and unobstructed?

If you do not find a problem with the visual checks, continue below.



## Service: Manually Initiated Electronic Diagnostics



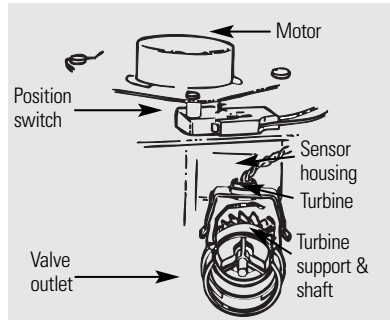
**1** To enter diagnostics, press and hold the **SELECT** button until (000 --) shows in the display.

**A** The first 3 digits indicate water meter operation as follows:

- 000 (steady) = soft water not in use...no flow through the meter.

—**OPEN A NEARBY SOFT WATER FAUCET**—

- 000 to 199 (continual) = repeats display for each gallon of water passing through the meter.



If you don't get a reading in the display, with faucet open, pull the sensor from the valve outlet port. Pass a small magnet back and forth in front of the sensor. You should get a reading in the display. If you get a reading, shut off water supply, unhook the in and out plumbing and check the turbine for binding.

**B** The letter (P) and dash(es) indicate POSITION switch operation. The letter appearing means the switch is closed; the dash means the switch is open. Use the **TOUCH or HOLD (RECHARGE TONIGHT-RECHARGE NOW)** button to manually advance the valve into each cycle and check correct switch operation.

<b>CORRECT SWITCH DISPLAYS</b>	<b>VALVE CYCLE STATUS</b>
— —	Valve in service, fill, brining, backwash or fast rinse position.
— P	Valve rotating from one position to another

**C** While in this diagnostic screen, the following information is available and may be beneficial for various reasons. This information is retained by the computer from the first time electrical power is applied to the control.

- Press and hold the UP button to display the number of days this control has had electrical power applied.
- Press and hold the DOWN button to display the number of regenerations initiated by this control since the SR code number was entered.

SR17

**2** Press the **SELECT** button and hold in three seconds until a Service Rating code appears in the display. Repeat this step if the **SR** code is not displayed.

**For correct water softening system operation, the SR number must be as follows:**

<b>GXSF27</b>	<b>SR22</b>
<b>GXSF39</b>	<b>SR31</b>
<b>GNSF35</b>	<b>SR35</b>

**To reset the code,** press the UP or DOWN button until the correct number shows.

**3** Press **SELECT** to return to the present time display. **If the code was changed, make ALL the timer settings.**

**NOTE:** If the control is left in a diagnostic display or a flashing display when setting times or hardness, present time automatically returns if a button is not pressed within four minutes.

## About the water softener system.

---

### Service: Manually Advance Regeneration Check

This check verifies proper operation of the valve motor, brine tank fill, brine draw, regeneration flow rates and other controller functions. First, make the initial checks and the *Manually Initiated Electronic Diagnostics*.

**NOTE:** The control display must show a steady time (not flashing).

**1** Press the **TOUCH or HOLD** button and hold in for three seconds. **RECHARGE NOW** begins to flash as the water softening system enters the fill cycle of regeneration. Remove the brinewell cover and, using a flashlight, observe fill water entering the brine tank. If water does not enter the tank, look for an obstructed nozzle, venturi, fill flow plug or brine tubing. See *Care and cleaning of the water softener system* section.

**2** After observing fill, press the **TOUCH or HOLD** button to move the water softening system into brining. A slow flow of water to the drain will begin. Verify brine draw from the brine tank by shining a flashlight into the brinewell and observing a noticeable drop in the liquid level over an extended period of time.

**NOTE:** Be sure a salt bridge is not preventing water from contacting salt. See *Care and cleaning of the water softening system* section.

If the water softening system does not draw brine, check:

- nozzle and/or venturi dirty or defective.
- defective nozzle and venturi seal.
- nozzle and venturi not seated properly on gasket.
- other inner valve defect (rotor seal, rotor & disc, wave washer, etc.).
- restricted drain (check drain fitting and hose).

**NOTE:** If water system pressure is low, an elevated drain hose may cause back pressure, stopping brine draw.

**3** Again, press the **TOUCH or HOLD** button to move the water softening system into backwash. Look for a fast flow of water from the drain hose. A slow flow indicates a plugged top distributor, backwash flow plug, or drain hose.

**4** Press the **TOUCH or HOLD** button to move the water softening system into fast rinse. Again look for a fast drain flow. Allow the water softening system to rinse for a few minutes to flush out any brine that may remain in the resin tank from the brining cycle test.

**5** To return the water softening system to service, press the **TOUCH or HOLD** button.

## Care and cleaning of the water softening system.

---

### Checking the Salt Storage Level and Refilling

Brine (salt dissolved in water) is needed for each and every regeneration. The water for making brine is metered into the salt storage area by the water softening system valve and control. **However, you must keep the tank supplied with salt.**

**When to refill with salt:** Check the salt level a few weeks after you install the water softening system and every week after that. Refill when the brine tank is from 1/3 to 1/2 full. In humid areas it is best to fill with less salt more often. Never allow the water softening system to use all the salt before you refill it. Without salt, you will soon have hard water.

Use clean water softening salts only, at least 99.5% pure. NUGGET, PELLETT or coarse SOLAR salts are recommended. **Do not use rock, block, granulated or ice cream making salts.** They contain dirt and sediments, or mush and cake, and will create maintenance problems.

**▲ CAUTION: Water softening salt with iron removing additives:** Some salts may have an additive to help the water softening system handle iron in the water supply. Although this additive may help to keep the water softening system resin clean, it may also release corrosive fumes that weaken and shorten the life of some water softening system parts. GE recommends using only Diamond Crystal® Red·Out® brand salt.

### Cleaning Iron Out of the Water Softening System

Your water softening system takes hardness minerals (calcium and magnesium) out of the water. Also, it can control some (see *Specification Guidelines* section) “clear water” iron. With clear water iron, water from a faucet is clear when first put into a glass. After 15 to 30 minutes, the water begins to cloud or turn rust colored. A water softening system **will not** remove any iron that makes the water cloudy or rusty as it comes from the faucet (called red water iron). To take red water iron out of water, or over the maximum of clear water iron, an iron filter or other equipment is needed.

GE recommends using only Diamond Crystal® Red·Out® brand salts with Iron Fighter® additive to help keep the resin bed clean of clear iron. If your water supply has clear water iron, periodic resin bed cleaning is needed. GE recommends using Super Iron Out® brand resin bed cleaner to thoroughly clean your resin bed if your iron content is high. Clean the bed at least every six months, or more often if iron appears in the soft water between cleanings.

**IMPORTANT:** It is important to mix the resin bed cleaner with water (following the manufacturer’s instructions), pour it into the **brinewell tube** (see page 6) and regenerate the softener immediately. Do not pour the resin bed cleaner in with the salt, as it will not be as effective in cleaning the resin, and can cause damage to the softener if it is left in the brine tank for an extended period due to the corrosive gases that are formed.



## Before you call for service...



*Troubleshooting Tips  
Save time and money! Review the chart on this page first and you may not need to call for service.*

### **NO SOFT WATER – Most Common Problems:**

*Check the following before calling for service*

- Not enough salt in softener—should be at least 1/3 full.
- Bypass valve in “Bypass” position—should be in “Service” position. Knob should be in the OUT position.
- Hardness setting too low—Check hardness setting in control. Verify hardness of supply water. Water hardness can vary throughout the year. See Programming the Control section.
- Salt Bridge; water not in contact with salt—see Breaking a Salt Bridge section.

<b>Problem</b>	<b>Possible Causes</b>	<b>What To Do</b>
<b>No soft water</b>	Faucet or fixture where sample was taken not plumbed to soft water. <i>NOTE: Be sure sample is from a faucet that does not mix soft and hard water. For example, a single lever kitchen faucet, if the cold side is plumbed to hard water</i>	• To conserve salt, the installer may have isolated some fixtures (outside faucets, toilets, etc.) from soft water. From the outlet of the water softening system, trace the water flow path, in house plumbing. If soft water is not directed to a faucet or fixture where wanted, consult a plumber.
	No salt in the brine tank or salt bridged	• Check for a salt bridge or, if the tank is empty, refill with recommended salt. Press (for 3 seconds) the <b>TOUCH or HOLD</b> button to start an immediate regeneration and restore soft water supply.
	Transformer unplugged at wall outlet or power cable to softener not connected. Fuse blown or circuit breaker popped on circuit to electrical outlet. Electrical outlet on a circuit that can be switched off	• Check for a loss of electrical power to the water softening system, due to any of these conditions and correct as needed. With the power supply restored, observe the faceplate time display and read <i>Program Memory</i> section. <i>NOTE: The electrical outlet for the softener should be continuously live so it cannot be accidentally switched off.</i>
	Manual bypass valve in bypass position	• Be sure the bypass valve stem is positioned properly, with the knob in the OUT position. Observe instructions on the decal at the end of the stem.
	Valve drain hose pinched, plugged, elevated too high or otherwise restricted	• Any restriction in this drain hose may prevent proper operation of the nozzle and venturi and reduce or prevent brine draw during regenerations.
	Nozzle and venturi dirty, incorrectly assembled or damaged	• Refer to <i>Cleaning the Nozzle and Venturi Assembly</i> instructions. With water pressure to the water softening system off, take the nozzle assembly apart. Inspect, clean and replace as needed. Any foreign particle(s), scratches, nicks, etc., in the passages can prevent operation. Be sure holes in the gasket are centered over holes in the housing.

# Before you call for service...



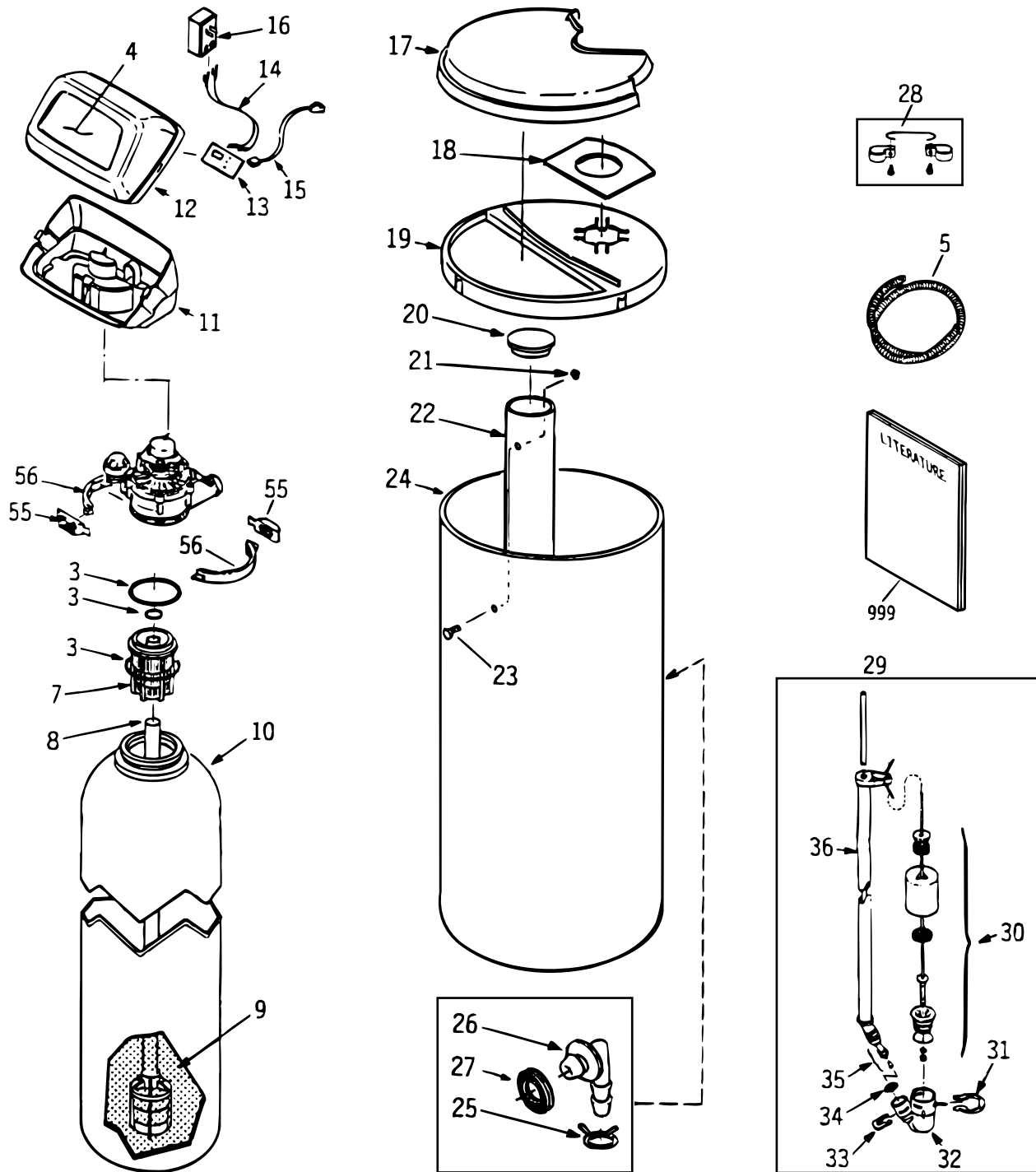
## Troubleshooting Tips

Problem	Possible Causes	What To Do
<b>Water hard sometimes</b>	Using hot water while the water softening system is regenerating	<ul style="list-style-type: none"> <li>• Avoid using hot water during water softening system regenerations because the water heater will refill with hard water. See <i>Automatic Hard Water Bypass During Regeneration</i> section.</li> </ul>
	Control hardness number setting too low	<ul style="list-style-type: none"> <li>• Press and release the <b>SELECT</b> button until <b>HARDNESS</b> shows in the display. Be sure the number shown is the same as the actual grains per gallon hardness of your water supply. See the <i>Control</i> section if a change in the setting is needed.</li> </ul>
	Grains of hardness in your water supply have increased	<ul style="list-style-type: none"> <li>• Water hardness can change over time, especially in well water. To check, have the water tested by a water analysis laboratory or call your local water department. Adjust the hardness number setting as needed.</li> </ul>
<b>Water feels slippery after installation of water softening system</b>	Absence of hardness minerals	<ul style="list-style-type: none"> <li>• This is normal.</li> </ul>
<b>Water softening system not using any salt</b>	Water softening system is a “demand” unit	<ul style="list-style-type: none"> <li>• Does not use much salt to regenerate—very efficient.</li> </ul>
	Possible salt bridge	<ul style="list-style-type: none"> <li>• See the <i>Operating Instructions, Tips</i> section.</li> </ul>
	Possible plugged nozzle and venturi	<ul style="list-style-type: none"> <li>• See the <i>Operating Instructions, Tips</i> section.</li> </ul>
<b>Water is blue color after water softening system was installed</b>	Acidic water in copper plumbing	<ul style="list-style-type: none"> <li>• Have the water tested at once.</li> </ul> <p><b>▲ WARNING: Do not drink the water until problem has been corrected.</b></p>
<b>Water softening system not regenerating</b>	Meter turbine stuck	<ul style="list-style-type: none"> <li>• Call for service.</li> </ul>
	Sensor wire corroded	<ul style="list-style-type: none"> <li>• Call for service.</li> </ul>
	No power to unit	<ul style="list-style-type: none"> <li>• Check the circuit breaker or fuses.</li> </ul>
	Mechanical defect	<ul style="list-style-type: none"> <li>• Call for service.</li> </ul>
<b>Cloudiness on glassware (automatic dishwashers)</b>	Combination of soft water and too much detergent	<ul style="list-style-type: none"> <li>• This is called <i>etching</i> and is permanent. To prevent this from happening, use less detergent if you have soft water. Wash glassware in the shortest cycle that will get them clean.</li> </ul>
<b>Salty tasting water after installation</b>	Insufficient backwash and rinse time	<ul style="list-style-type: none"> <li>• Press and hold <b>TOUCH or HOLD</b> button until <b>RECHARGE</b> starts to flash.</li> <li>• At completion of regeneration cycle (approx. 2 hrs), run water from faucets to purge the salty water.</li> </ul>
	Low water pressure	<ul style="list-style-type: none"> <li>• Check pressure; should be minimum 20 psi.</li> </ul>
	Restricted drain hose	<ul style="list-style-type: none"> <li>• Clean and reconnect hose.</li> </ul>

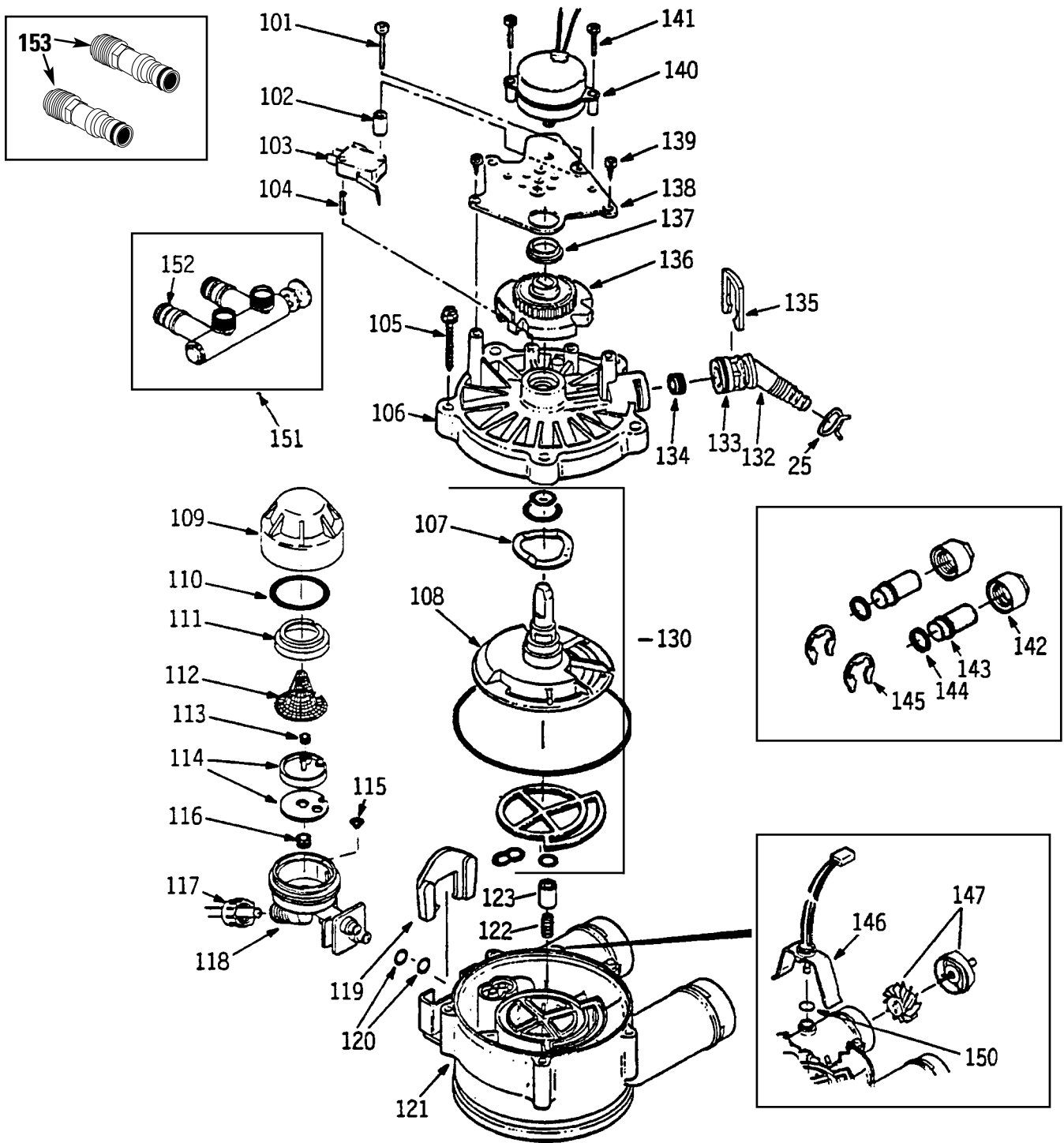
---

<b><i>Problem</i></b>	<b><i>Possible Causes</i></b>	<b><i>What To Do</i></b>
<b><i>Resin beads showing up in drinking water and sink</i></b>	<b>Cracked distributor</b>	<ul style="list-style-type: none"> <li>• Call for service.</li> </ul>
<b><i>Sounds you might hear</i></b>	<b>Running water from the unit into a drain</b>	<ul style="list-style-type: none"> <li>• This is normal.</li> </ul>
<b><i>Water has air bubbles and is cloudy</i></b>	<b>Air in system after installation</b>	<ul style="list-style-type: none"> <li>• Will go away after it runs for a while.</li> </ul>
<b><i>Error Code on control</i></b>	<b>Wiring may have worked loose in control</b>	<ul style="list-style-type: none"> <li>• Unplug transformer.</li> <li>• Remove control cover, release clips on side.</li> <li>• Check for loose/incorrect wiring connections to electronic board or switch. Reconnect as required.</li> <li>• Reassemble control cover.</li> <li>• Plug in Transformer.</li> <li>• Wait six minutes for Error Code to reappear.</li> <li>• If Error Code reappears, call for service.</li> </ul>

# Parts list.



# Parts list.



## GENERAL ELECTRIC PARTS CATALOG

GXSF39  
GNSF35  
GXSF27

REF. NO.	PART NO.	PART DESCRIPTION			
0003	WS35X10001	O-RING SEAL KIT	1	1	1
0004	WS34X10013	DECAL	-	-	1
	WS34X10011	DECAL	-	1	-
	WS34X10012	DECAL	1	-	-
0005	WS07X10004	HOSE DRAIN, 20 FT.	1	1	1
0007	WS14X10002	DISTRIBUTOR TOP	1	1	1
0008	WS14X10001	DISTRIBUTOR BOTTOM	1	1	1
0009	WS01X10002	RESIN - 1 CU. FT.	1	1	1
0010	WS32X10001	TANK RESIN	1	-	-
	WS32X10011	TANK RESIN	-	1	1
0011	WS31X10001	COVER BOTTOM	1	1	1
0012	WS31X10002	COVER CONTROL	1	1	1
0013	WS21X10006	CONTROL	-	1	-
	WS21X10011	CONTROL	1	-	1
0014	WS19X10003	HARNESS WIRE	1	1	1
0015	WS06X10003	POWER CORD	1	1	1
0016	WS26X10001	TRANSFORMER	1	1	1
0017	WS31X10010	COVER SALT HOLE	1	1	1
0018	WS33X10001	SEAL VAPOR BARRIER	1	1	1
0019	WS33X10002	RIM	1	1	1
0020	WS31X10003	COVER BRINEWELL	1	1	1
0021	WS02X10009	WING NUT, 1/4" - 20	1	1	1
0022	WS32X10002	TANK BRINEWELL, ROUND	1	1	1
0023	WS02X10011	SCREW, 1/4" - 20 NYLON	1	1	1
0024	WS32X10003	TANK BRINE, ROUND	1	1	1
0025	WS18X10003	CLAMP HOSE	1	1	1
0026	WS22X10016	ADAPTER HOSE	1	1	1
0027	WS22X10017	GROMMET	1	1	1
0028	WS35X10002	GROUND CLAMP KIT	1	1	1
0029	WS15X10005	BRINE VALVE ASM.	1	1	1
0030	WS35X10003	FLOAT, STEM & GUIDE ASM.	1	1	1
0031	WS03X10006	CLIP	1	1	1
0032	WS15X10006	VALVE BODY, BRINE	1	1	1
0033	WS03X10007	CLIP	1	1	1
0034	WS03X10008	SCREEN	1	1	1
0035	WS07X10002	TUBING ASM.	1	1	1
0036	WS07X10003	TUBE BRINE	1	1	1
0055	WS28X10003	RETAINER CLAMP	2	2	2
0056	WS28X10004	CLAMP	2	2	2
0999	49-50061	PM MANUAL USE & CARE/ INSTALLATION	1	1	1

## GENERAL ELECTRIC PARTS CATALOG

REF. NO.	PART NO.	PART DESCRIPTION	GXSJ27	GNSF35	GXSJ39
0025	WS18X10003	CLAMP HOSE	1	1	1
0101	WS02X10012	SCREW, #4 - 24 X 1-1/8"	1	1	1
0102	WS02X10013	SPACER	1	1	1
0103	WS21X10003	SWITCH	1	1	1
0104	WS03X10009	PIN EXPANSION	1	1	1
0105	WS02X10014	SCREW, #10 - 14 X 2"	5	5	5
0106	WS31X10006	COVER VALVE	1	1	1
0107	WS03X10010	WASHER WAVE	1	1	1
0108	WS26X10002	ROTOR & DISC	1	1	1
0109	WS19X10004	CAP	1	1	1
0110	WS03X10011	SEAL O-RING 1.1" X 1.4"	1	1	1
0111	WS19X10005	SUPPORT SCREEN	1	1	1
0112	WS03X10013	SCREEN	1	1	1
0113	WS22X10020	FLOW PLUG, .1 GPM	1	1	1
0114	WS08X10005	GASKET, NOZZLE/VENT	1	1	1
0115	WS03X10015	CONE SCREEN	1	1	1
0116	WS22X10021	PLUG, FILL FLOW, .3 GPM	1	1	1
0117	WS03X10017	NUT FERRULE	1	1	1
0118	WS15X10009	NOZZLE/VENTURI ASM.	1	1	1
0119	WS03X10018	RETAINER	1	1	1
0120	WS03X10019	SEAL O-RING 1/4" X 3/8"	2	2	2
0121	WS15X10010	BODY VALVE	1	1	1
0122	WS03X10020	SPRING	1	1	1
0123	WS22X10022	PLUG, DRAIN SALT	1	1	1
0130	WS35X10005	SEAL KIT	1	1	1
0132	WS22X10023	ADAPTER DRAIN HOSE	1	1	1
0133	WS03X10021	O-RING 5/8" X 13/16"	1	1	1
0134	WS03X10022	PLUG FLOW, RINSE CONTROL	1	1	1
0135	WS03X10023	CLIP	1	1	1
0136	WS26X10003	CAM & GEAR	1	1	1
0137	WS26X10004	BEARING	1	1	1
0138	WS26X10005	PLATE MOTOR	1	1	1
0139	WS02X10015	SCREW, #6 - 20 X 3/8"	2	2	2
0140	WS26X10006	MOTOR ASM.	1	1	1
0141	WS02X10016	SCREW, #6 - 20 X 7/8"	2	2	2
0142	WS60X10001	NUT INSTALLATION	2	2	2
0143	WS60X10002	TUBE INSTALLATION	2	2	2
0144	WS60X10003	WASHER	2	2	2
0145	WS60X10004	CLIP	2	2	2
0146	WS28X10005	HOUSING SENSOR	1	1	1
0147	WS19X10006	TURBINE & SUPPORT ASM.	1	1	1
0150	WS03X10024	SEAL, O-RING	1	1	1
0151	WS15X10012	VALVE BYPASS ASM.	1	1	1
0152	WS03X10025	SEAL, O-RING	2	2	2
0153	WS60X10006	ADAPTER	2	2	2

**\*NOTE:** Codes in the State of Massachusetts require installation by a licensed plumber and do not permit the use of the saddle valve. For installation, use plumbing code 248-CMR of the Commonwealth of Massachusetts.

# GE Water Softening System Warranty (For Customers in the United States)

---



All warranty service provided by our Factory Service Centers, or an authorized Customer Care<sup>®</sup> technician.  
For service, call 800-GE-CARES.

---

## For The Period Of: We Will Replace:

### One Year

From the date of the original purchase

**Any part** of the Water Softening System which fails due to a defect in materials or workmanship.

During this **full one-year warranty**, GE will also provide, **free of charge**, all labor and in-home service to replace the defective part.

### Three Years

From the date of the original purchase

**The electronic monitor**, if it fails due to a defect in materials or workmanship. During this **three-year limited warranty**, you will be responsible for any labor or in-home service costs.

### Ten Years

From the date of the original purchase

**A replacement brine tank or cabinet**, if either fails due to a defect in materials or workmanship.

During this **ten-year limited warranty**, you will be responsible for any labor or in-home service costs.

---

## What Is Not Covered:

- Service trips to your home to teach you how to use the product.
- Improper installation.
- Failure of the product if it is abused, misused, or used for other than the intended purpose or used commercially.
- Filters, membranes or batteries.
- Replacement of house fuses or resetting of circuit breakers.
- Damage to the product caused by accident, fire, floods or acts of God.
- Incidental or consequential damage caused by possible defects with this appliance.

*This warranty is extended to the original purchaser and any succeeding owner for products purchased for home use within the USA. In Alaska, the warranty excludes the cost of shipping or service calls to your home.*

*Some states do not allow the exclusion or limitation of incidental or consequential damages. This warranty gives you specific legal rights, and you may also have other rights which vary from state to state. To know what your legal rights are, consult your local or state consumer affairs office or your state's Attorney General.*

**Warrantor: General Electric Company. Louisville, KY 40225**



# GE Water Softening System Warranty (For Customers in Canada)

---



All warranty service provided by our Factory Service Centers or an authorized technician.  
For service, call toll free 1-866-777-7627.

---

## For The Period Of: We Will Replace:

### One Year

From the date of the original purchase

**Any part** of the Water Softening System which fails due to a defect in materials or workmanship. During this **full one-year warranty**, GE will also provide, **free of charge**, all labor and in-home service to replace the defective part.

### Three Years

From the date of the original purchase

**The electronic monitor**, if it fails due to a defect in materials or workmanship. During this **three-year limited warranty**, you will be responsible for any labor or in-home service costs.

### Ten Years

From the date of the original purchase

**A replacement brine tank or cabinet**, if either fails due to a defect in materials or workmanship. During this **ten-year limited warranty**, you will be responsible for any labor or in-home service costs.

---

## What Is Not Covered:

- Service trips to your home to teach you how to use the product.
- Improper installation.  
If you have an installation problem, contact your dealer or installer. You are responsible for providing adequate electrical, exhausting and other connecting facilities.
- Replacement of house fuses or resetting of circuit breakers.
- Failure of the product if it is misused, or used for other than the intended purpose or used commercially.
- Damage to product caused by accident, fire, floods or acts of God.

WARRANTOR IS NOT RESPONSIBLE FOR CONSEQUENTIAL DAMAGES.

Warrantor: CAMCO INC.

***Notes.***

---

## ***La section Française.***

---

### ***Sécurité***

Installation adéquate .....29

### ***Directives d'installation***

Branchement de la conduite  
de vidange .....33, 34  
Déballage et inspection .....30  
Directives d'installation ....30-32  
Directives d'installation  
étape par étape .....33-36  
Outillage et matériel requis  
pour l'installation .....31  
Planification et localisation ....31  
Programmation du panneau  
de commande .....35  
Recommandations importantes  
pour l'installation .....30  
Sanitization .....36  
Spécifications et dimensions ...36

### ***Instructions d'utilisation, conseils***

Affichages du panneau de  
commande .....39  
Diagnostics électroniques .....41  
Élimination d'un pont de sel ...38  
Nettoyage de l'ensemble  
gicleur et venturi .....38  
Particularités .....39, 40  
Service .....37  
Système adoucisseur d'eau .37-42  
Système de régénération .....42

### ***Entretien et nettoyage***

Élimination du fer .....42  
Niveau de l'entreposage  
du sel et remplissage .....42

***Conseils de dépannage*** ..43-45

### ***Service aux consommateurs***

Garantie .....51  
Liste des pièces/catalogue ..46-49  
Numéros de téléphone  
importants .....52

## ***Vous et GE, un partenariat de service.***

---



### ***IMPORTANT!***

Remplissez la carte d'enregistrement du produit.

***Il y a deux manières faciles d'enregistrer votre appareil!***

- Par l'Internet en saisissant l'adresse [www.geappliances.com](http://www.geappliances.com)
- En remplissant et en expédiant la carte d'enregistrement du produit ci-incluse



### ***À CONSERVER SOIGNEUSEMENT***

***Transcrivez les numéros de modèle et de série ici.***

# \_\_\_\_\_

# \_\_\_\_\_

Vous les trouverez sur l'attache du réservoir.

***Agrafez le reçu de vente ou le chèque annulé ici.***

Pour obtenir le service sous garantie, il est nécessaire de disposer de la preuve de la date d'achat.



### ***LISEZ VOTRE MANUEL***

Vous y trouverez de nombreux conseils pour l'utilisation et l'entretien de votre adoucisseur d'eau. Ces quelques mesures préventives vous permettront d'économiser du temps et de l'argent pour la durée de vie de l'appareil.



### ***SI VOUS AVEZ BESOIN DE SERVICE***

Vous trouverez des solutions aux problèmes courants que vous pourriez rencontrer dans la section ***Avant d'appeler un réparateur.*** Et, en consultant d'abord nos ***Conseils de dépannage,*** vous pourriez peut-être éviter de faire appel à un réparateur.

Si vous avez besoin de service, vous savez que vous n'avez qu'à nous téléphoner. Vous trouverez à la fin de ce présent manuel les numéros sans frais du service à la clientèle.

***OU***

Visitez notre site Web au ***[www.geappliances.com](http://www.geappliances.com)***

# MESURES DE SÉCURITÉ IMPORTANTES. LISEZ D'ABORD TOUTES LES DIRECTIVES AVERTISSEMENT!

**▲ AVERTISSEMENT!** Pour votre sécurité, suivez les directives fournies dans le présent manuel afin de minimiser les risques de chocs électriques, des dégâts matériels et de blessures graves.



## SÉCURITÉ

- Vérifiez et respectez les codes de sécurité locaux et ceux de l'état où vous résidez. Vous devez suivre les lignes de conduite suivantes.
  - Faites attention lors de l'utilisation de l'appareil adoucisseur d'eau. Ne le placez pas la tête en bas, ne le laissez pas tomber, ne le tirez pas ou ne le faites pas passer sur des aspérités pointues.
  - Pour les adoucisseurs utilisant le chlorure de sodium (sel) pour la régénération, ajoutez du sodium à l'eau. *Les personnes soumises à des restrictions concernant les diètes à base de sodium doivent considérer le sodium complémentaire comme faisant partie de la dose quotidienne qu'elles prennent. Il est possible de remplacer le chlorure de sodium par du chlorure de potassium dans votre l'adoucisseur.*
  - L'adoucisseur d'eau fonctionne avec une alimentation électrique de 24 volts sous 60 Hz seulement. *Assurez-vous d'utiliser uniquement le transformateur ci-inclus.*
  - Le transformateur doit être branché dans une prise murale ordinaire de 120V (3 alvéoles, mise à la terre).
  - N'utilisez que du sel adoucisseur d'eau propre avec une pureté minimale de 99,5%. Nous recommandons le sel NUGGET, PELLET ou du sel brut SOLAR. **N'utilisez pas du sel à l'état solide, en blocs, granulé ou le sel servant à la fabrication de crème glacée.** Ce type de sel contient des saletés, des sédiments, du charbon et du cake qui engendreront des problèmes d'entretien.
  - Gardez le couvercle de l'orifice du sel en place sur l'adoucisseur excepté pour l'entretien de l'appareil ou si ce dernier est en cours de remplissage avec du sel.
- ▲ AVERTISSEMENT :** N'utilisez pas l'appareil si l'eau n'est pas pure sur le plan microbiologique ou si sa qualité n'est pas éprouvée sans qu'elle n'ait été désinfectée avant ou après avoir été traitée par l'appareil.



## UNE INSTALLATION ADÉQUATE

Avant d'utiliser votre adoucisseur, assurez-vous qu'il a été correctement installé, conformément aux Directives d'installation.

- Installez ou entreposez l'appareil à l'abri de températures inférieures au point de congélation, des intempéries au autres types de temps. Le gel de l'eau entraînera le bris de l'appareil. Ne pas tenter de traiter de l'eau dont la température est supérieure à 100 degrés F.
  - **N'installez pas** l'appareil dans une zone soumise directement à la lumière du soleil. Une chaleur excessive engendrée par le soleil peut entraîner des déformations ou d'autres dommages aux composants non-métalliques.
  - Effectuez les mises à la masse conformément aux codes et règlements en cours.
  - N'utilisez que de la *soudure et du flux* décapant sans plomb pour toutes les soudures faites sous la base de soudure tendre, telles que requises par les codes fédéraux et ceux de l'état intéressé.
  - L'adoucisseur exige un débit minimum de trois gallons/minute à l'orifice d'entrée. La pression maximale autorisée est de 125psi. Si au cours de la journée, la pression est supérieure à 80 psi, la pression au cours de la nuit peut être supérieure à la valeur maximale. Si nécessaire, utilisez une valve réductrice de pression pour réduire le débit.
  - En présence de chlore dépassant la proportion de 1 ppm, il est possible que les résines de l'adoucisseur se dégradent. Si le chlore dépasse cette valeur, il est possible que vous constatiez une durée de vie réduite des résines. Dans un tel cas, vous pourriez envisager de faire l'achat d'un système de filtrage de GE.
- ▲ AVERTISSEMENT :** Débarrassez-vous de tout composant inutilisé et du matériel d'emballage après l'installation. Les petits composants restant après l'installation peuvent constituer un danger d'étouffement après ingestion.



VEUILLEZ LIRE ET SUIVRE ATTENTIVEMENT CES MESURES DE SÉCURITÉ.  
**CONSERVEZ CES DIRECTIVES**



**ATTENTION** : Il est nécessaire de posséder une certaine expérience en plomberie pour effectuer l'installation. Si vous n'êtes pas certain en ce qui concerne une ou plusieurs étapes d'installation de l'appareil, veuillez consulter un plombier professionnel.

### **Déballage et inspection**

Assurez-vous de vérifier si l'appareil n'a pas été endommagé au cours de l'expédition et si tous les composants sont présents. Veuillez également noter si la boîte ayant servi pour l'expédition n'a pas été endommagée. Contactez la Compagnie ayant effectué le transport en cas de dommage ou de perte. Le fabricant n'est pas responsable en cas de dommages au cours du transport.

Les petites pièces requises pour l'installation de l'adoucisseur sont emballées sur un carton sous Cellophane. Pour éviter leur perte, gardez-les dans leur emballage jusqu'au moment où elles seront requises.

---

### **Recommandations importantes pour l'installation**

Veuillez prendre connaissance du manuel au complet. Négliger de suivre toutes les consignes et règles peut entraîner des blessures personnelles ou des dommages.

- Avant le début de l'installation, prenez connaissance de toutes les instructions correspondantes. Ensuite, réunissez tout le nécessaire et l'outillage requis pour cette opération. Une installation incorrecte annule la garantie.
- Prenez connaissance des codes locaux. L'installation doit être conforme à ces codes.
- **Dans l'état du Massachusetts, il y a lieu de respecter le code de plomberie 248 CMR. Veuillez consulter votre plombier qualifié.**
- Utilisez seulement la soudure et le flux décapant sans plomb pour tous les branchements effectués à l'aide de soudures tendres comme prescrit par les codes fédéraux et ceux de l'état considéré.
- Branchez l'adoucisseur à la conduite d'alimentation d'eau **avant** et en **amont** du chauffe-eau. **NE FAITES PAS PASSER DE L'EAU BOUILLANTE DANS L'ADOUCCISEUR.** La température de l'eau qui traverse l'appareil doit être inférieure à 120 degrés F.
- Manipulez l'adoucisseur avec précaution. N'inversez pas l'appareil, ne le laissez pas tomber, le tirez pas ou ne l'installez pas sur des surfaces comportant des aspérités acérées.
- La pression maximale d'arrivée d'eau est de 125 psi. Si au cours de la journée la pression s'établit à 80 psi, elle peut dépasser le maximum toléré au cours de la nuit. Si nécessaire, utilisez une soupape de réduction de pression (L'ajout d'un tel dispositif peut réduire le débit d'eau).
- L'adoucisseur ne fonctionne que sous une tension de 24 volts, 60Hz. Assurez-vous de bien utiliser le transformateur inclus. Assurez-vous que le transformateur et la prise de courant soient à l'abri de l'humidité.
- Référez-vous à la section *Où installer l'adoucisseur* pour de plus amples détails.



**AVERTISSEMENT** : N'utilisez pas cet appareil avec de l'eau qui n'est pas microbiologiquement sécuritaire ou de qualité inconnue sans que l'eau n'a pas été désinfectée avant ou après avoir pénétré dans l'adoucisseur. Testez l'eau périodiquement pour vous assurer que l'appareil fonctionne de manière satisfaisante.

Les petits composants accompagnant l'appareil qui n'ont pas été utilisés au montage peuvent présenter des dangers d'étouffement. Débarrassez-vous en.

---

## Planifiez comment vous allez installer l'adoucisseur

Initialement, vous devez décider comment vous allez brancher les tuyaux d'entrée et de sortie d'eau à l'adoucisseur. Examinez la conduite principale d'arrivée d'eau dans l'habitation là où vous allez brancher l'appareil. Cette conduite est-elle en cuivre, en plastique ou en métal galvanisé avec filetage? Quelle est la dimension de la conduite?



**AVERTISSEMENT** : N'utilisez que de la soudure et du flux décapant sans plomb pour éviter tout empoisonnement.

Référez-vous à la fig. 1, *Illustration d'une installation type* utilisé comme guide lors de votre installation particulière. **Assurez-vous de diriger l'eau d'arrivée dure (non traitée) dans le raccord de la soupape contrôlant l'admission d'eau à l'adoucisseur.** La soupape porte les indications **IN (entrée)** et **OUT (sortie)**. Voyez l'illustration en page 32.

---

## Où installer l'adoucisseur

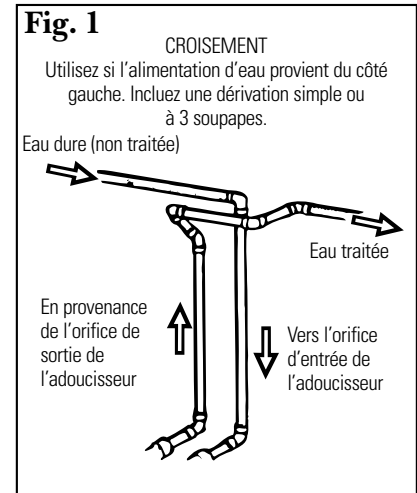
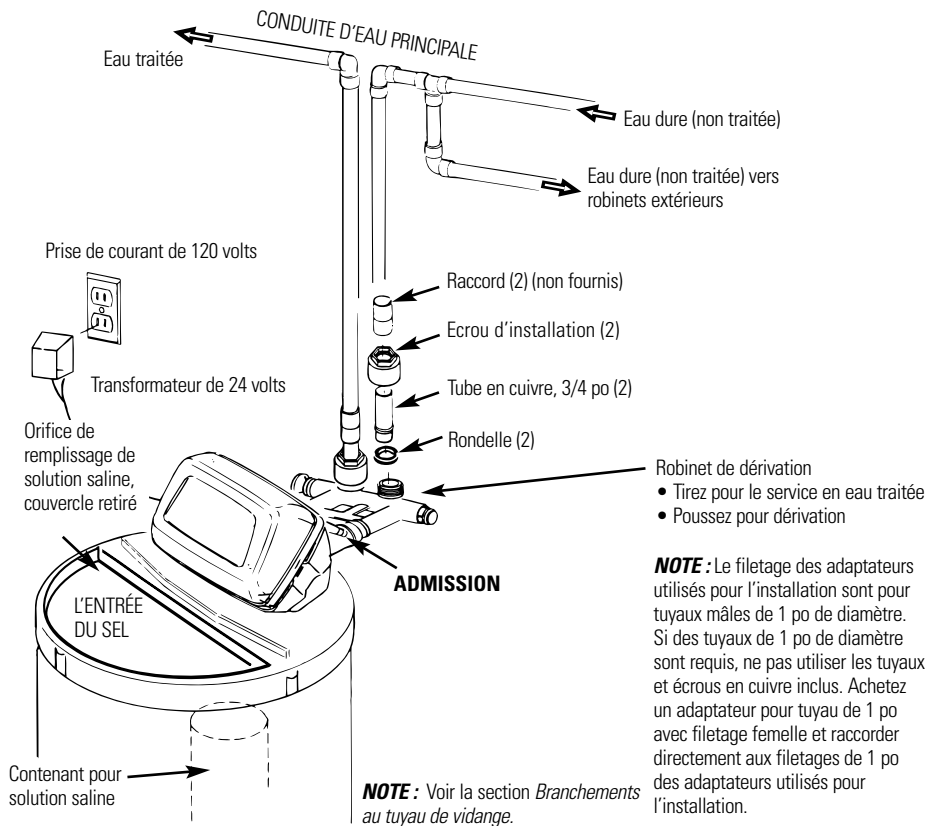
- Positionnez l'adoucisseur le plus près possible d'un égout d'évacuation ou de tout autre point d'évacuation ou tuyau de refoulement acceptable.
  - Il est recommandé de laisser les robinets extérieurs débiter l'eau dure (non traitée) afin de ménager l'eau traitée et le sel.
  - N'installez pas l'adoucisseur à un endroit où il pourrait geler. **Tout dommage causé par le gel n'est pas couvert par la garantie.**
  - N'installez pas l'adoucisseur à un endroit où il interdirait l'accès au chauffe-eau ou au robinet de fermeture de l'arrivée d'eau.
  - Positionnez l'adoucisseur de telle façon à ce que les dommages causés par une fuite éventuelle d'eau soient minimisés. Le fabricant n'effectuera pas les réparations et ne dédommagera pas le propriétaire en cas de dommages causés par l'eau.
  - Il est nécessaire de disposer d'une prise de 120 volts pour y brancher le transformateur inclus. La longueur du fil d'alimentation de l'appareil est de 10 pi. Si la prise de courant est éloignée (100 pi ou moins), utilisez un fil de calibre 18 pour le branchement. **Assurez-vous que la prise de courant et le transformateur sont à l'intérieur du bâtiment afin de les protéger contre l'humidité.** Assurez-vous que la prise est hors-tension afin de prévenir tout arrêt accidentel.
  - Si l'appareil est installé à l'extérieur, prenez toutes les dispositions nécessaires pour vous assurer que l'adoucisseur, les conduites servant à l'installation, le câblage, etc. sont protégés contre les éléments (soleil, pluie, vent, chaleur, froid), contamination, vandalisme, etc. comme si l'appareil avait été installé à l'intérieur.
  - **Assurez-vous que l'adoucisseur ne soit pas exposé directement aux rayons du soleil.** La chaleur du soleil peut déformer les parties non-métalliques et endommager les composants électroniques.
- 

## Outillage et matériel requis pour l'installation

- Les raccords pour l'entrée et la sortie de l'eau, lesquels sont inclus avec l'adoucisseur sont des raccords de cuivre brasable de 3/4 po. Afin de maintenir un débit intégral au robinet, il est recommandé d'utiliser des tuyaux de 1 po. de diamètre pour les raccords d'entrée et de sortie. Gardez les mêmes dimensions ou des dimensions supérieures pour les tuyaux d'alimentation d'eau à l'entrée et à la sortie d'eau de l'adoucisseur.
- Pour installer l'adoucisseur, utilisez le robinet de dérivation inclus. Le robinet de dérivation permet d'arrêter l'eau arrivant à l'adoucisseur aux fins d'entretien tout en maintenant celle-ci dans les tuyaux de la résidence. Les raccords d'entrée et de sortie mentionnés ci-dessus permet le branchement au robinet de dérivation au moyen des écrous et rondelles qui sont inclus.
- Utilisez les tuyaux et raccords en cuivre, laiton ou métal galvanisé. Certains codes permettent l'utilisation des tuyaux en plastique PVC.
- S'il est nécessaire de disposer d'un tuyau d'évacuation complémentaire pour le robinet de vidange des réservoirs de sel, vous pouvez le commander au service des pièces de GE en téléphonant au numéro 800.626.2002.
- S'il est nécessaire de disposer d'un tuyau d'évacuation rigide pour rester conforme aux codes régissant le plombage, vous pouvez acheter les pièces requises pour brancher le tuyau de cuivre de 1/2 po. de diamètre ou un tuyau d'évacuation en plastique.
- Il est nécessaire d'avoir du sel d'adoucissement d'eau sous forme de pastilles ou de pépites pour remplir le réservoir de solution saline. Voir l'étape 8 dans les *Directives d'installation Étape par Étape*.

# Directives d'installation.

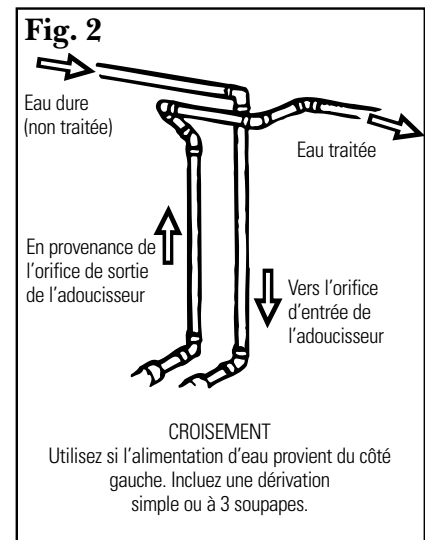
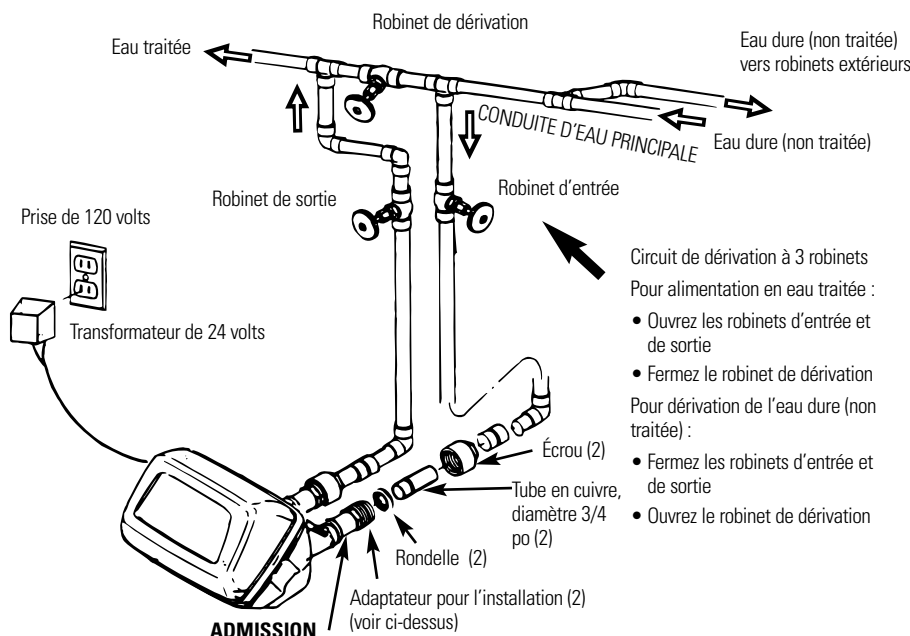
## Illustration d'une installation type



## Illustration de l'installation optionnelle des robinets de dérivation à 3 voies

Les adaptateurs pour cette installation ne sont pas fournis avec l'adoucisseur.

Pour commander ces adaptateurs, appelez le service des pièces de GE au numéro 800-626-2000 et demandez la pièce portant le no WS60X10006.



**NOTE :** Le filetage des adaptateurs utilisés pour l'installation sont pour tuyaux mâles de 1 po de diamètre. Si des tuyaux de 1 po de diamètre sont requis, ne pas utiliser les tuyaux et écrous en cuivre inclus. Achetez un adaptateur pour tuyau de 1 po avec filetage femelle et raccorder directement aux filetages de 1 po des adaptateurs utilisés pour l'installation.



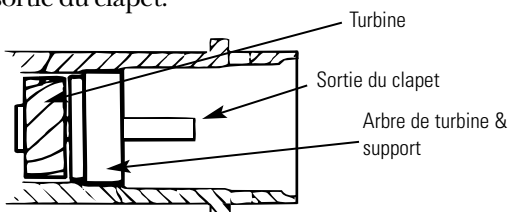
# Directives d'installation étape par étape.

- Arrêtez l'alimentation en gaz ou en électrique du chauffe-eau dans le cas où ce dernier soit vidé lorsque les conduites sont asséchées.
- Arrêtez l'alimentation en eau aux conduites devant être coupées et videz les conduites d'eau de la résidence.
- Ouvrez les robinets d'eau chaude et froide.

## 1. INSTALLEZ LE CLAPET DE DÉRIVATION

- Enlever le bouchon en plastique ayant servi pour l'expédition de l'appareil ainsi que le fil de la logement de sortie du clapet.

**NOTE :** Assurez-vous que la turbine et son support sont fermement montés dans le logement de sortie du clapet. Soufflez dans l'orifice du clapet et notez si la turbine tourne librement.



- Poussez sur le robinet de dérivation (lubrifiez les joints toriques avec la graisse à base de silicone) dans les deux orifices du clapet tel qu'indiqué à la figure 3A.
- Mettez en position les deux grandes attaches en plastique de haut en bas, tel qu'indiqué à la figure 3A et 3B. Assurez-vous qu'ils soient bien en place. **Tirez sur le clapet de dérivation pour vous assurer qu'il est fermement maintenu en place.**

## 2. PLACER L'ENSEMBLE DE L'ADOUCCISSEUR EN POSITION D'INSTALLATION :

- Assurez-vous que la surface sur laquelle l'appareil sera installé est bien horizontale et sans aspérités. Des objets pointus situés sous le réservoir peuvent percer celui-ci. Si nécessaire, placer le réservoir sur une planche de contre-plaqué dont l'épaisseur minimale est de 3/4 po. Puis placez des cales sous la planche, le cas échéant, pour que l'adoucisseur soit en position horizontale.

## 3. FAIRE LE RACCORDEMENT DES TUYAUX D'ARRIVÉE ET DE SORTIE D'EAU DE L'ADOUCCISSEUR :

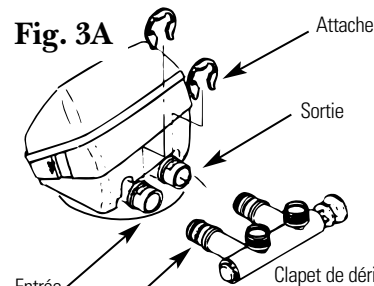
- ⚠ **ATTENTION :** Respectez toutes les consignes de mise en garde suivantes lors du branchement des conduites aux orifices d'entrée et de sortie. Voir les figures 1 et 2.
- **ASSUREZ-VOUS QUE L'EAU DURE (NON TRAITÉE) ARRIVANT EST DIRIGÉE SUR L'ORIFICE D'ENTRÉE DU CLAPET DE L'ADOUCCISSEUR.** Si le débit d'eau provient du côté gauche, utilisez un croisement illustré à la figure 1.
- Si l'installation est faite par soudage de composants en cuivre, **faire le soudage tendre avant de raccorder les tuyaux au clapet de dérivation.** La chaleur du chalumeau endommagerait les composants en plastique.
- Lors de la rotation des raccords de tuyaux dans les raccords en plastique, **faites attention de ne pas foirer le filetage.**
- Utilisez un composé sur tous les filetages externes des tuyaux.
- Faire un support pour la tuyauterie d'arrivée et de sortie d'eau (supports à tuyaux) **afin d'alléger le poids imposé aux raccords de robinets.**

## 4. RACCORDEZ ET FAITES FONCTIONNER LE TUYAU DE VIDANGE :

- Utilisez le tuyau de vidange fourni (inclus et dont la longueur est de 20 pi.) et le brancher au raccord du robinet de vidange. Afin d'empêcher la pression de l'eau de débrancher le tuyau, utilisez une attache pour le maintenir en place.
- Localisez l'autre extrémité du tuyau et placez-le à un orifice de vidange approprié (orifice de vidange du plancher, réservoir, bac utilisé pour la vidange de l'eau de laveuse, etc.) qui aboutit à l'égout. **Vérifiez quels sont les codes locaux et respectez-les.**

**IMPORTANT :** Si une longueur supplémentaire de tuyau de vidange est nécessaire, vous pouvez commander le tuyau au service des pièces GE au no 800-626-2002. **L'adoucisseur ne peut fonctionner si l'eau ne peut être évacuée du tuyau au cours des régénérations.**

- Attachez ou fixez le tuyau en place à l'aide d'un fil au point de vidange. La haute pression de l'eau entraînera le retrait et des cycles de rinçage rapides au cours des régénérations. **De plus, ménagez un espace minimum de 1-1/2 po. entre l'extrémité du tuyau et du point de vidange.** Un tel espace empêche l'eau d'égout d'être siphonnée à l'intérieur de l'adoucisseur en cas de refoulement de l'égout.
- S'il est nécessaire de soulever le tuyau de vidange pour atteindre le point de vidange, **ne le soulevez pas à une hauteur supérieure à 8 pi. par rapport au plancher.** Le fait de le faire peut causer une contre-pression risquant de réduire l'aspiration de la solution saline au cours des régénérations.



**Le joint torique n'est placé que dans la rainure extérieure.** L'attache se place dans la rainure intérieure (voir ci-dessous).

**NOTE :** Le filetage des adaptateurs utilisés pour le clapet de dérivation sont pour tuyaux mâles de 1 po de diamètre. Si des tuyaux de 1 po de diamètre sont requis, ne pas utiliser des tuyaux et écrous en cuivre inclus. Achetez un adaptateur pour tuyau de 1 po avec filetage femelle et raccorder directement aux filetages de 1 po.

Fig. 3B

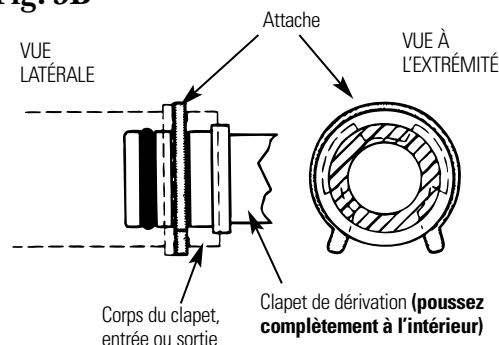


Fig. 3C

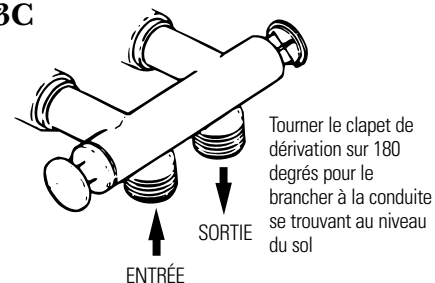
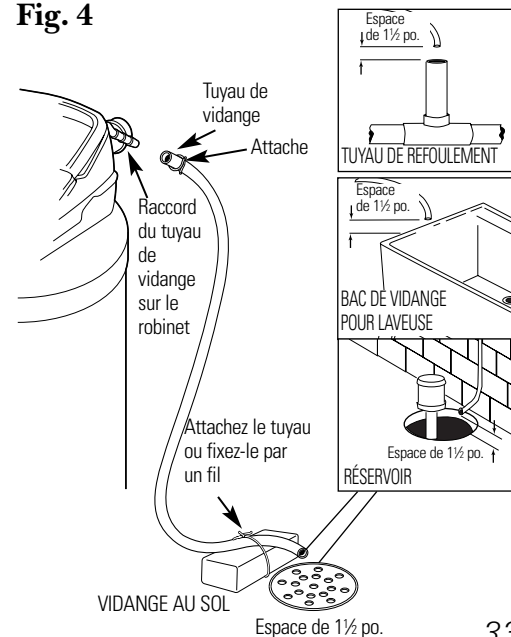


Fig. 4



# Directives d'installation étape par étape.

## 4A. BRANCHEMENT D'UN TUYAU DE VIDANGE RIGIDE

- Pour adapter un tuyau de vidange en cuivre à l'adoucisseur, utilisez une scie à métaux pour couper l'extrémité barbelée du raccord de vidange comme illustré à la figure 4A. Faire tourner le raccord de vidange de telle manière que la lame de la scie soit éloignée du logement du clapet pour prévenir tout dommage à celui-ci. Achetez un raccord à compression (filetage femelle de 1/4 po. x 1/2 po. pour le tube O.D.) et la tuyauterie requise de votre quincaillier.

## 5. INSTALLATION DES RACCORDS DE DÉBORDEMENT DU RÉSERVOIR DE SOLUTION SALINE ET LA TUYAUTERIE

- Insérez l'oeillet en caoutchouc dans l'orifice de 3/4 po. de diamètre sur la paroi latérale du réservoir comme indiqué à la figure 5.
- Poussez l'extrémité du coude de l'adaptateur du tuyau dans l'oeillet comme indiqué à la figure 5.
- Fixez une longueur de tuyau (utilisez le reste de tuyau de l'étape 4) au coude de l'adaptateur du tuyau. Utilisez une attache de tuyau pour maintenir ce dernier en place.
- Placer l'autre extrémité du tuyau au point de vidange. **N'ÉLEVEZ PAS** ce tuyau à une hauteur supérieure au coude sur le réservoir de solution saline.

### IMPORTANT : NE FIXEZ PAS LE TUYAU DE DÉBORDEMENT AU TUYAU DE VIDANGE.

**NOTE :** Le tube de vidange ne sert que pour des besoins de sécurité. Si le réservoir de solution saline se remplit excessivement d'eau, l'excédent sera dirigé sur l'orifice de vidange.

## 6. INSTALLATION D'ATTACHES DE MISE À LA MASSE ET CÂBLAGE

- ⚠ **DANGER :** Le fait de ne pas mettre à la masse le fil servant à cet effet peut causer des chocs électriques.
- Si la tuyauterie est en métal, et afin de **maintenir une continuité de mise à la masse électrique** pour la tuyauterie d'eau froide, montez les attaches de mise à la masse incluses à l'appareil comme indiqué à la figure 6. Assurez-vous que les tuyaux se trouvant sous les attaches sont propres afin d'assurer un bon contact électrique.

## 7. RINCAGE DES TUYAUX, ÉLIMINATION DE L'AIR DE L'ADOUCCISEUR ET ESSAI DE L'INSTALLATION POUR DÉTECTER LES FUITES D'EAU :

- ⚠ **ATTENTION :** Pour éviter tout dommage causé par l'eau ou la pression de l'air pouvant affecter les composants internes de l'adoucisseur, assurez-vous de suivre les étapes suivantes dans l'ordre exact.

- A. Ouvrez complètement 2 robinets d'eau traitée froide à proximité de l'adoucisseur.
- B. Placez le robinet de dérivation sur la position « bypass » (dérivation) en poussant l'axe vers l'intérieur.
- C. Ouvrez complètement le robinet principal d'alimentation en eau de la résidence. Notez s'il existe un débit continu des deux robinets qui ont été ouverts à l'étape A ci-dessus.
- D. Placez le robinet de dérivation sur la position « service » (service) **EXACTEMENT** comme suit. **GARDEZ LES ROBINETS D'ALIMENTATION EN EAU TRAITÉE SUR LA POSITION OUVERTE.**  
Tirez **LENTEMENT** ou faites glisser la tige du robinet (out) (vers l'extérieur) vers la position « service » (service) en faisant plusieurs pauses afin de permettre à l'adoucisseur d'être lentement mis sous pression.
- E. Après environ 3 minutes, ouvrez un robinet d'eau **HOT** (bouillante) pendant 1 minute ou jusqu'à ce que l'air ait été évacué puis le fermer. **NOTE :** Si l'eau paraît trouble ou si le goût est salé, continuez pendant plusieurs minutes ou jusqu'à ce que l'eau devienne claire.
- F. Fermez tous les robinets.
- G. Vérifiez les travaux de plomberie que vous avez effectués pour détecter toute fuite. Réparez celles-ci immédiatement le cas échéant et assurez-vous de respecter les notes de mise en garde précédentes.
- H. Mettez en marche l'alimentation en gaz ou en électricité pour le chauffe-eau. Allumez la flamme veilleuse le cas échéant.

## 8. AJOUT DE L'EAU ET DU SEL AU RÉSERVOIR DE SOLUTION SALINE :

- Levez le couvercle du réservoir solution saline. Ajoutez environ 3 gallons d'eau dans le réservoir. N'en ajoutez pas dans le contenant pour solution saline.
- Remplissez le réservoir avec le produit NUGGET (pépites), PELLET (pastilles) ou avec le sel brut pour adoucisseur SOLAR dont la pureté doit être égale ou supérieure à 99,5%. **N'utilisez pas** du sel en roches, en blocs, granulé ou le sel servant à la confection de crème glacée ou **encore du sel contenant des additifs servant à éliminer le fer**, (à l'exception du sel de marque Diamond Crystal® Red-Out®). La capacité d'entreposage du sel est d'environ 200 lbs. Gardez le couvercle de l'orifice du sel en place sur l'adoucisseur sauf au cours de l'entretien de l'appareil ou lorsque le remplissage du sel a lieu.

**NOTE :** Si l'adoucisseur est installé dans un sous-sol humide ou tout autre endroit également humide, il est préférable de **remplir le réservoir avec moins de sel et plus fréquemment**. Une quantité de 80 à 100 lbs de sel durera plusieurs mois en fonction de la dureté de l'eau, du nombre de personnes dans la famille et du modèle d'adoucisseur d'eau.

## 9. BRANCHEMENT À LA SOURCE D'ALIMENTATION ÉLECTRIQUE :

- Si le câble du transformateur n'est pas visible à l'arrière de l'appareil, retirer le couvercle. **NE TIREZ PAS SUR LE CÂBLE OU NE LE DÉBRANCHEZ PAS.** Localisez le long fil comportant des connecteurs en U à l'une des extrémités. Faites passer le fil au travers du logement du panneau de commande. Remettez le couvercle en place.
- Fixez les connecteurs en U aux 2 vis du transformateur et serrez celles-ci. Ensuite, branchez le transformateur dans la prise de courant.
- L'adoucisseur fonctionne sous une tension de 24 volts 60 Hz. Le transformateur inclus à l'appareil réduit le courant de 120 volts CA standard à 24 volts. **Ne branchez le transformateur que dans une prise de 120 volts.** Assurez-vous que la prise est en permanence sous tension de façon à ce que l'alimentation électrique ne soit pas coupée par erreur.

## 10. PROGRAMMATION DU PANNEAU DE COMMANDE :

- Référez-vous à la section Programmation du panneau de commande.

Fig. 4A

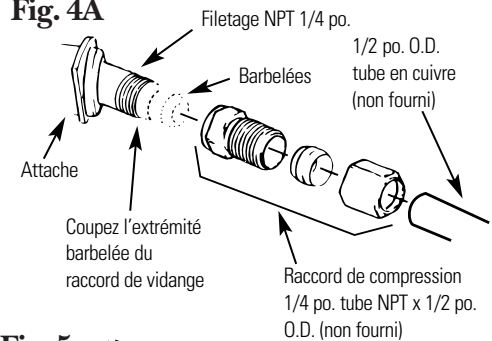


Fig. 5

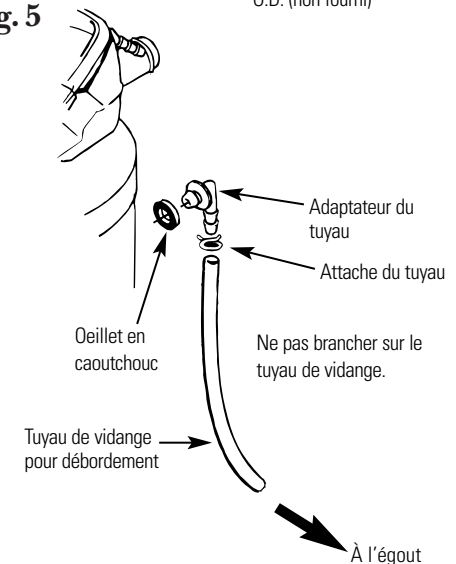
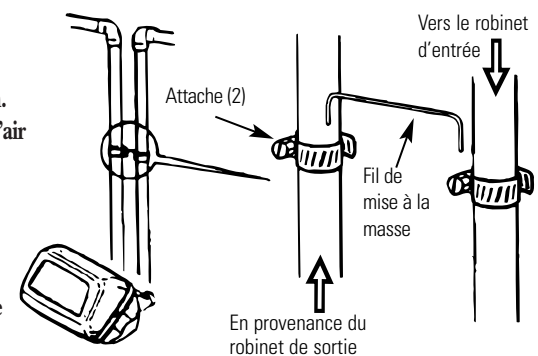


Fig. 6

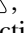
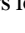
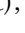
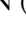


## Programmation du panneau de commande

### PROGRAMMATION DU PANNEAU DE COMMANDE

**REQUIS** à l'installation et après une longue panne de courant.



#### NOTES :

- **LORSQUE LE TRANSFORMATEUR EST BRANCHÉ DANS UNE PRISE DE COURANT** (voyez l'étape 9), l'affichage 12 :00 AM (clignotent) et PRESENT TIME (Temps actuel) apparaît dans la fenêtre. Programmez panneau de commande comme indiqué ci-dessous. **Si la légende SR-- clignote**, utilisez le bouton UP (+)  (Vers le haut) pour programmer le code SR comme suit : **SR35** pour GNSF35, **SR31** pour GXSF39, ou **SR22** pour GXSF27. Si vous avez dépassé le bon code, utilisez le bouton DOWN (-) . Ensuite, appuyez sur le bouton SELECT (Sélection) et programmez le panneau de commande.
- Un « bip » se fait entendre lorsque vous appuyez sur des boutons pour la programmation du panneau de commande. Un bip indique un changement dans l'affichage du panneau de commande. Des bips répétés signifient que le panneau de commande n'accepte pas un changement provenant du bouton sur lequel vous venez d'appuyer et dans ce cas, vous devez utiliser un autre bouton.
- Pour programmer le panneau de commande, vous devez utiliser les boutons UP (+) , (Vers le haut), DOWN (-)  (Vers le bas) et SELECT (Sélection).

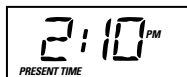
#### AFFICHAGE DE L'HEURE ACTUELLE





**NOTE :** Si l'affichage PRESENT TIME (Heure Actuelle) n'apparaît pas dans la fenêtre, appuyez sur le bouton SELECT (Sélectionnez) jusqu'à ce que cet affichage se fasse.

1. Appuyez sur le bouton UP (+)  (Haut) ou DOWN (-)  (Bas) pour l'affichage. Le bouton UP (Haut) fait avancer l'affichage, le bouton DOWN (Bas) fait reculer l'affichage.

Si l'heure actuelle se trouve entre midi et minuit, assurez-vous que PM figure dans l'affichage



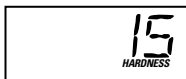
**NOTE :** Chaque enfoncement des boutons UP (+)  (Haut) ou DOWN (-)  (Bas) modifie l'heure d'une minute. Le maintien du bouton enfoncé modifie l'heure à raison de 32 minutes chaque seconde


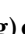




2. Lorsque l'heure actuelle s'affiche, appuyez sur SET (Sélectionnez) pour la figer. Si l'heure actuelle se trouve entre minuit et midi, assurez-vous que AM figure dans l'affichage.

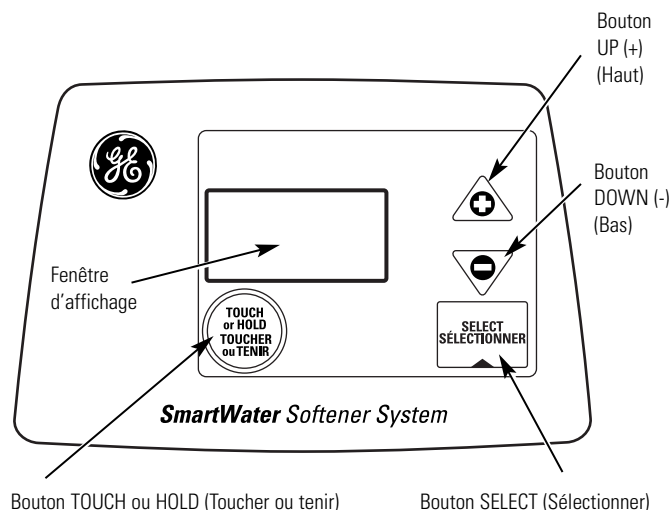
#### AFFICHAGE DE LA DURETÉ DE L'EAU

**NOTE :** Si le chiffre 15 (réglage standard fait en usine) et le terme HARDNESS (Dureté) n'apparaissent pas dans l'affichage, appuyez sur SELECT (Sélectionnez) jusqu'à ce que cet affichage se fasse.



1. Appuyez sur le bouton UP (+)  (Haut) ou DOWN (-)  (Bas) pour régler la dureté de l'eau dans la fenêtre d'affichage. Le bouton DOWN (-)  (Bas) fait descendre l'affichage sur 1. Le bouton UP (+)  (Haut) passe l'affichage sur la valeur maximale.

**NOTE :** Chaque enfoncement du bouton modifie l'affichage de 1 unité entre 1 et 25. Au dessus de 25, l'affichage est modifié de 5 unités à la fois (25, 30, 35, etc.). Le maintien d'un bouton enfoncé modifie les chiffres deux fois par seconde.



2. Lorsque la valeur de la dureté de l'eau apparaît, appuyez sur SELECT pour la figer.



**NOTE :** S'il y a présence de fer dans l'eau traitée, vous devez accroître le réglage de dureté de 5 unités pour chaque 1 ppm de fer dans cette eau.



**Vous pouvez obtenir le nombre de grains par gallon (gpg) d'eau d'un laboratoire effectuant des analyses d'eau ou encore, appelez et demandez à votre service local des eaux si vous recevez votre eau des autorités municipales ou appelez le GE Answer Center® et demandez leur une trousse de vérification de la dureté de l'eau. Si le résultat indique que la dureté est évaluée en parties par million (ppm), divisez simplement la valeur par 17,1 pour obtenir l'équivalent en nombre de grains par gallon.**

#### PROGRAMMATION DE L'HEURE DE RÉGÉNÉRATION (DÉBUT)

**NOTE :** Le message RECHARGE TIME (Heure de recharge) et l'affichage 2 :00 AM (2 heures du matin) (Réglage standard fait en usine) doivent apparaître dans la fenêtre. L'heure est appropriée pour commencer la régénération (qui se termine après environ 2 heures) pour la plupart des résidences étant donné que l'eau n'est pas utilisée dans cette période. L'EAU DURE (non traitée) est dérivée vers les robinets de la résidence au cours de la régénération.

**Si aucune modification n'est nécessaire, passez à l'étape 2.** Pour modifier l'heure du début de la régénération, suivez les indications de l'étape 1.

1. Appuyez sur le bouton UP (+)  (Haut) ou DOWN (-)  (Bas) pour programmer l'heure de début de la régénération désirée.

**NOTE :** Chaque enfoncement du bouton UP (+)  (Haut) ou DOWN (-)  (Bas) modifie l'heure de une heure. Le maintien des boutons enfoncés modifie l'heure deux fois chaque seconde.

2. Appuyez sur le bouton SELECT une fois de plus.



Assurez-vous d'observer l'affichage AM ou PM comme vous l'avez fait lors de la programmation de l'heure du jour.

La fenêtre affiche l'heure actuelle et le message RECHARGE TONIGHT (Rechargez cette nuit).



# Directives d'installation étape par étape.

## Méthode de sanitization

Pour terminer l'installation, suivez la méthode suivante :

Toutes les précautions ont été prises en usine pour s'assurer que l'adoucisseur est propre et conforme aux conditions d'hygiène. Les matériaux utilisés pour la fabrication de l'appareil n'infecteront ni ne contamineront votre eau et ne causeront pas de formation de bactéries ou leur développement. Cependant, il est possible que des bactéries pénètrent dans l'adoucisseur au cours de l'expédition, l'entreposage, l'installation et l'utilisation. C'est pour cette raison que nous suggérons de procéder à une sanitization lors de l'installation.

**NOTE : La sanitization est recommandée par la Water Quality Association (association chargée de faire respecter la qualité de l'eau) pour assurer la désinfection.**

- 1 Assurez-vous d'accomplir toutes les étapes de l'installation, la programmation du panneau de commande incluse.
- 2 Versez environ 3/4 onces d'Eau de Javel domestique concentrée à 5,25% (Clorox, Linco, BoPeep, White Sail, Eagle, etc.) dans le **contenant de solution saline**. Voir le schéma à la page 32.
- 3 **IMPORTANT :** Appuyez sur le bouton **TOUCH/HOLD** (Appuyez/Maintenez) et maintenez-le enfoncé pendant 3 secondes pour déclencher une régénération immédiate. Le message **Recharge Now** (Rechargez maintenant) commence à clignoter. L'Eau de Javel est aspirée dans l'adoucisseur d'eau.
- 4 Si après avoir suivi cette procédure, l'eau provenant des robinets de l'habitation a un goût salé ou est légèrement colorée, ceci est causé par la matière préservative provenant du réservoir de résine. Ouvrez les robinets d'eau froide et laissez couler l'eau pendant quelques minutes ou jusqu'à ce que l'eau soit claire.

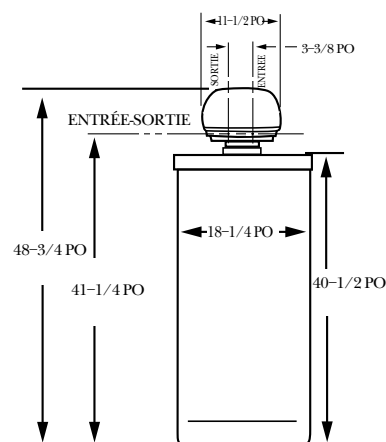
**NOTE :** Une fois le processus de régénération pour sanitization terminé, votre eau **FROIDE** a été complètement traitée. Cependant, votre chauffe-eau est rempli d'eau dure (non traitée) et au fur et à mesure que l'eau est consommée, celle-ci est remplacée par de l'eau traitée et l'eau bouillante ainsi que le mélange eau bouillante/eau froide sera composé complètement d'eau traitée. Si vous souhaitez immédiatement avoir de l'eau traitée, videz le chauffe-eau jusqu'à ce que l'eau soit froide après le processus de régénération.

**AVERTISSEMENT :** Si vous videz le chauffe-eau, faites très attention car l'eau bouillante peut causer des brûlures. Éteignez le chauffe-eau avant de le vider.

## SPECIFICATIONS/DIMENSIONS

	GXSF27	GNSF35	GXSF39
Capacité nominale*	(Voyez l'étiquette des capacités située sur l'adoucisseur)		
Quantité de résine de haute capacité (lbs/pi.cu)	36,4/7	48,4/93	52,5/1
Dimension nominale du réservoir de résine (diamètre en pouces x pi.cube)	8 x 40	9 x 40	9 x 40
Débit de service (gpm)	(Voyez l'étiquette des capacités située sur l'adoucisseur)		
Dureté maximale de l'eau d'alimentation (gpg)	100	100	100
Fer maximal contenu dans l'eau traitée (ppm)**	5	6	8
Limites de pression d'eau (min.max.psi)	20-125	20-125	20-125
Chute de pression à la valeur nominale du débit de service (psig)	15	15	15
Température maximale de l'eau (degrés F.)	120	120	120
Débit minimal de l'eau d'alimentation (gpm)	3	3	3
Débit du cycle de régénération (gpm)			
Remplissage (débit au réservoir de solution saline)	,3	,3	,3
Lavage avec solution saline	,19	,20	,20
Rinçage de la solution saline	,12	,16	,16
Refoulement	1,8	2,0	2,0
Rinçage rapide	1,8	2,0	2,0

(Débit vers l'orifice de vidange)



Le système est conforme aux normes 10 WQA S-100 pour les capacités spécifiques tels que vérifiées et confirmées par les données faisant suite aux essais.

\* Les essais ont été faits en utilisant le chlorure de sodium pour pastilles comme agent de régénération.

\*\* La quantité de fer éliminé peut varier avec les conditions existantes. Cette élimination est améliorée en utilisant les produits Diamond Crystal®, Red-Out® ou Super Iron Out®. Voir la section *Élimination du fer contenu dans l'eau*.

## **Au sujet du système adoucisseur d'eau.**

---

### **Service**

Lorsque le système adoucisseur d'eau fournit de l'eau traitée, il est appelé « Service ». Dans cette fonction, l'eau dure (non traitée) en provenance de la conduite principale de la résidence s'écoule dans le système adoucisseur d'eau. À l'intérieur du réservoir de résine se trouve un « lit » constitué par des milliers de grains de résine-plastique de petites dimensions. Lorsque l'eau dure (non traitée) passe au travers du « lit », chaque grain attire et garde les minéraux solides. Cette opération est appelée un échange d'ions, comparable à un aimant qui attirerait et garderait des particules métalliques. L'eau qui ne contient pas de minéraux durs (eau traitée) s'écoule du système adoucisseur d'eau vers les conduites de la résidence.

Après un certain temps, les grains de résine sont recouverts de minéraux durs. Ils doivent donc être nettoyés. Ce nettoyage est appelé régénération ou recharge. Cette régénération débute à 2 heures du matin (réglage fait en usine) par le système de contrôle de l'adoucisseur et se fait en cinq étapes ou cycles. Ces cycles sont **REMPLISSAGE, TRAITEMENT EN SOLUTION SALINE, RINÇAGE DE LA SOLUTION SALINE, REFOULEMENT et RINÇAGE RAPIDE.**

---

### **Dérivation automatique de l'eau dure (non traitée) au cours de la régénération**

Pour les besoins urgents, l'eau dure (non traitée) est disponible dans la résidence pendant les cycles de régénération.

**Cependant, vous devriez éviter d'utiliser de l'eau BOUILLANTE étant donné que le chauffe-eau se remplira avec de l'eau dure (non traitée).**

---

### **Remplissage**

Le sel dissout dans l'eau est appelé solution saline. Cette solution est requise pour enlever les minéraux durs des grains de résine. Pour fabriquer la solution saline, l'eau s'écoule dans la zone d'entreposage du sel au cours du remplissage tel qu'indiqué.

### **Lavage avec solution saline**

Au cours de ce lavage, la solution se déplace du contenant d'entreposage du sel et se rend dans le réservoir de résine. La solution saline et l'agent de nettoyage requis pour enlever les minéraux durs des grains de résine. Ces minéraux et la solution sont évacués dans l'orifice de vidange.

Le gicleur et le venturi créent une succion déplaçant la solution saline en maintenant un débit très lent afin d'assurer le meilleur nettoyage avec le minimum de sel.

### **Rinçage de la solution saline**

Après qu'une quantité pré-mesurée de solution saline est utilisée, le clapet se ferme. L'eau continue à couler dans le même sens excepté que le débit de solution saline ne se produit plus. Les minéraux durs et la solution saline sont évacués du réservoir de résine vers l'orifice de vidange.

### **Refoulement**

Au cours du refoulement, l'eau se déplace **à travers** du réservoir de résine avec un débit rapide et rince le fer qui s'est accumulé, les saletés et les sédiments du « lit » de résine et se dirige ensuite vers l'orifice de vidange.

### **Rinçage rapide**

Le refoulement est suivi d'un débit rapide de l'eau **au travers** d'un réservoir de résine. Ce rinçage rapide rince la solution saline du fond du réservoir et reconditionne le « lit » de résine.

Après le cycle de rinçage rapide, le système adoucisseur d'eau repasse dans la fonction service de l'eau traitée.

## Au sujet du système adoucisseur d'eau.

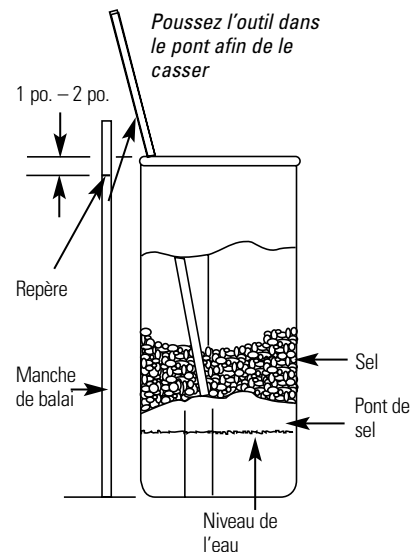
### Élimination d'un pont de sel

Parfois, une croûte solide ou pont de sel se forme dans la zone d'entreposage du sel. Habituellement, cette croûte est causée par une humidité élevée ou l'utilisation d'un type de sel inapproprié. Si un tel pont se forme, un espace vide est créé entre l'eau et le sel. En conséquence, le sel ne se dissout pas dans l'eau pour faire une solution saline.

Si la solution saline contient beaucoup de sel, il est difficile de déterminer si un pont de sel s'est créé. Au sommet, le sel est friable mais le pont se trouve en dessous. La méthode suivante est la meilleure pour savoir si cela est le cas.

Le sel devrait être friable jusqu'au fond du réservoir. À l'aide d'un manche de balai ou d'un outil similaire, le pousser en prenant toutes précautions dans le sel en lui imprimant un mouvement du haut jusqu'en bas. Si l'outil rencontre un objet dur (assurez-vous qu'il ne s'agit pas du fond ou des parois latérales du réservoir), il est probable qu'il s'agit d'un pont de sel. À l'aide de cet outil, cassez le pont. **Ne** pilonnez **pas** les parois du réservoir.

Si le pont a été formé à la suite de l'utilisation d'un mauvais type de sel, retirez-le puis remplissez le réservoir avec du sel en pastilles ou en pépites exclusivement. Dans des zones humides, il est préférable de faire le plein avec moins de sel mais plus fréquemment.



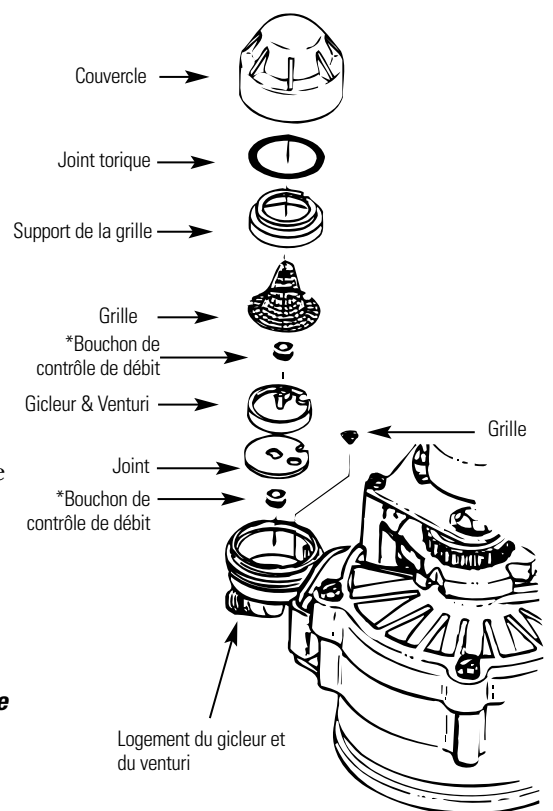
### Nettoyage de l'ensemble gicleur et venturi

**Pour fonctionner correctement, le système adoucisseur d'eau requiert un gicleur et un venturi propres.** Au cours de la régénération, ce petit ensemble assure la succion pour transporter la solution saline de la zone d'entreposage du sel au réservoir de résine. En cas de bouchage par du sable ou des saletés, etc., le système adoucisseur d'eau ne fonctionnera pas et vous n'aurez que de l'eau dure (non traitée).

Pour accéder au gicleur et au venturi, retirez le couvercle du système adoucisseur d'eau. Assurez-vous que le système est en mode Service (le gicleur et le venturi ne sont pas soumis à la pression de l'eau). En tenant le logement du gicleur et du venturi avec une main, retirez le couvercle. Soulevez le support de la grille et la grille elle-même et ensuite le gicleur et le venturi. Nettoyez ces pièces avec de l'eau chaude. Si nécessaire utilisez une petite brosse pour enlever les dépôts de fer ou les saletés. Vérifiez et nettoyez également le joint.

**NOTE :** Certains modèles sont équipés d'un petit bouchon de contrôle de débit situé dans l'ensemble gicleur/venturi et/ou d'une petite grille en forme de cône dans le logement. Assurez-vous de les vérifier et de les nettoyer si votre modèle en est doté.

Remplacez soigneusement tous ces composants dans le bon ordre. Lubrifiez légèrement les joints toriques avec de la graisse au silicone ou de la vaseline et remettez-les en place. **Installez et serrez le couvercle à la main seulement. Ne serrez pas excessivement le couvercle ou le logement.**




**IMPORTANT :** Assurez-vous que les petits trous du joint correspondent à ceux du logement du gicleur et du venturi.

\* Montez avec le côté numéroté en haut, le côté concave en bas.

---

## Affichages en utilisation normale

Lors de l'utilisation normale, l'heure actuelle ainsi que les termes AM ou PM sont affichés dans la fenêtre. Lorsque l'ordinateur détermine qu'une régénération est requise, le message **RECHARGE TONIGHT** (Rechargez cette nuit) commence à clignoter dans la fenêtre avec l'heure actuelle. **RECHARGE TONIGHT** (Rechargez cette nuit)  clignote jusqu'à l'heure où la prochaine régénération doit avoir lieu. L'affichage change pour devenir **RECHARGE NOW** (Rechargez maintenant) qui clignote jusqu'à ce que la régénération prend fin.

---

## Particularités : Commandes pour recharge optionnelle

Parfois, il peut être souhaitable ou vous pouvez procéder à une régénération (recharge). Voici deux exemples :

■ Vous avez utilisé plus d'eau que de coutume (invités, lavage supplémentaire, etc.) et vous êtes à court d'eau traitée avant la prochaine régénération.

■ Vous n'avez pas rempli le réservoir avec du sel.

Utilisez l'une des particularités suivantes pour déclencher une régénération immédiatement ou à l'heure de début pré-programmée de la prochaine régénération.

**RECHARGE TONIGHT (RECHARGE CETTE NUIT)** 

Appuyez mais ne maintenez pas enfoncé sur le bouton **TOUCH or HOLD** (Appuyez ou maintenez). Le message **RECHARGE TONIGHT** (Rechargez cette nuit)

clignote dans la fenêtre d'affichage. Une régénération se produira à la prochaine heure de régénération pré-programmée. Si vous décidez d'annuler cette régénération, appuyez une fois de plus sur le même bouton.

**RECHARGE NOW (RECHARGE MAINTENANT)** 

Appuyez et maintenez enfoncé le bouton **TOUCH or HOLD** (Appuyez ou Maintenez) jusqu'à ce que le message **RECHARGE NOW** (Rechargez maintenant) commence à clignoter dans la fenêtre d'affichage. Le système adoucisseur d'eau commence immédiatement un processus de régénération et une fois l'opération terminée au bout deux heures environ, vous disposerez de suffisamment d'eau traitée. Une fois que la régénération a commencé, vous ne pouvez pas arrêter le processus.

---

## Particularité : Mémoire du programme

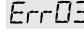
En cas d'interruption de l'alimentation électrique, la fenêtre d'affichage devient vierge mais la mémoire conserve la bonne heure pendant approximativement six heures. Lorsque le courant est rétabli, vous devez programmer l'heure actuelle seulement si les données affichées clignotent. Les autres données ne sont pas affectées et ne requièrent pas de reprogrammation sauf si vous désirez effectuer une modification.

Si l'heure clignote après une longue interruption de courant, le système adoucisseur d'eau continue de fonctionner comme prévu afin de fournir de l'eau traitée. Cependant, les régénérations peuvent se produire au mauvais moment jusqu'à ce que vous reprogrammez l'appareil avec l'heure exacte du jour.

---

## Particularité/Service : Diagnostics électroniques automatiques

L'ordinateur est doté d'un système d'auto-diagnostics pour les composants électriques (excepté l'alimentation électrique et le compteur d'eau). Il surveille les composants électroniques et les circuits pour assurer un bon fonctionnement de l'appareil. En cas d'anomalie de fonctionnement, un code d'erreur apparaît dans la fenêtre d'affichage.

Sur le tableau des *Codes d'Erreur*, l'affichage  indique le code d'erreur qui pourrait éventuellement apparaître et les raisons possibles pour chaque code. Lorsqu'un code d'erreur est affiché, tous les boutons du panneau de commande sont inopérants à l'exception du bouton **SELECT**. Ce bouton reste opérationnel de façon à ce que le technicien puisse utiliser la fonction *Manually Initiated Electronic Diagnostics* (Mise en circuit manuel des diagnostics électroniques) pour pouvoir isoler l'anomalie et vérifier le compteur d'eau.

# Au sujet du système adoucisseur d'eau.

## Service : Particularités du tableau de codes d'erreurs et service

CODE D'ERREUR AFFICHÉ	ERR 01	ERR 02	ERR 03	ERR 04	ERR 05
<b>ANOMALIE POSSIBLE</b>	<ul style="list-style-type: none"> <li>• moteur inopérant</li> <li>• faisceau de câblage ou branchement à l'interrupteur</li> <li>• interrupteur de position</li> <li>• tableau de commande (PWA)</li> </ul>	<ul style="list-style-type: none"> <li>• interrupteur de position</li> <li>• tableau de commande (PWA)</li> </ul>	<ul style="list-style-type: none"> <li>• moteur inopérant ou faisceau de câblage</li> <li>• tableau de commande (PWA)</li> </ul>	<ul style="list-style-type: none"> <li>• interrupteur de position ou faisceau de câblage</li> <li>• tableau de commande (PWA)</li> </ul>	<ul style="list-style-type: none"> <li>• tableau de commande (PWA)</li> </ul>

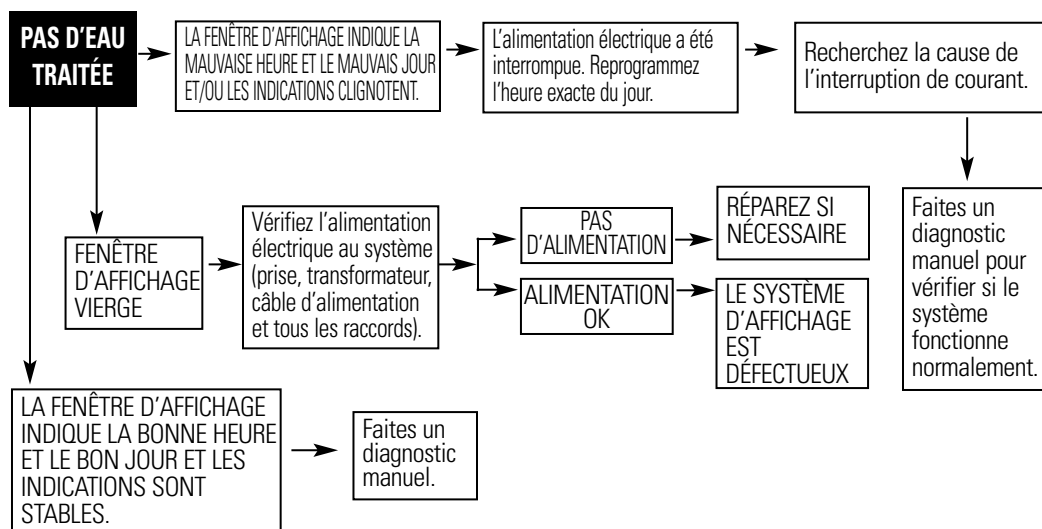
**Pour éliminer un code d'erreur :** (1) Débranchez le transformateur.  
 (2) Rectifiez l'anomalie.  
 (3) Branchez le transformateur  
 (4) Attendez un minimum de 6 minutes. Le code d'erreur s'affichera à nouveau si la cause de l'anomalie n'a pas été rectifiée.

## Service : Minuterie/Adoucisseur, méthode de vérification de service

Si vous n'obtenez pas d'eau traitée et qu'un code d'erreur n'est pas affiché, utilisez les méthodes décrites ci-dessous pour cerner le problème. Faites initialement les vérifications visuelles suivantes.

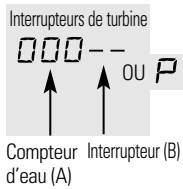
- VÉRIFICATIONS VISUELLES :**
- 1 La prise de courant dans laquelle l'adoucisseur est branché fonctionne-t-elle?
  - 2 Y a-t-il suffisamment de sel dans le réservoir? Le réservoir doit être au moins de 1/3 à 1/2 plein.
  - 3 Le clapet de dérivation de l'adoucisseur dirige-t-il l'eau pour le service d'eau traitée?
  - 4 Le clapet contrôlant la conduite de vidange est-il ouvert, se trouve-t-il à une distance non supérieure à 8 pi par rapport à l'adoucisseur et est-il libre de toute obstruction?

Si aucun problème n'est détecté lors de la vérifications visuelle, continuez la procédure comme indiqué ci-dessous.





## Service : Diagnostics manuels initiés manuellement



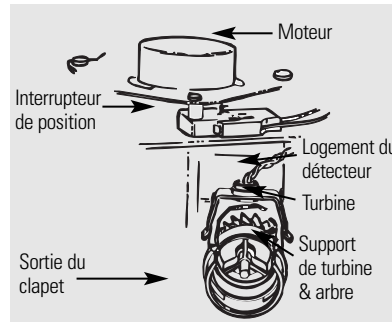
**1** Pour entrer dans la fonction diagnostics, appuyez et maintenez enfoncé le bouton **SELECT** (Sélection) jusqu'à ce que (000--) apparaisse dans la fenêtre d'affichage.

**A** Les 3 premiers chiffres indiquent que le compteur d'eau fonctionne comme suit :

■ 000 (stable) = eau traitée non en utilisation...pas de débit dans le compteur.

— **OUVREZ UN ROBINET PROCHE D'EAU TRAITÉE** —

■ 000 à 199 (continu) = répétition de l'affichage pour chaque gallon d'eau passant dans le compteur.



Si vous n'avez aucune indication dans la fenêtre d'affichage lorsque le robinet est ouvert, retirez le détecteur de l'orifice de sortie du clapet. Faites un mouvement alternatif arrière et avant avec un petit aimant que vous passez devant le détecteur. Vous devriez avoir un affichage dans la fenêtre. Dans l'affirmative, arrêtez l'arrivée d'eau, débranchez les conduites d'entrée et de sortie d'eau et vérifiez la turbine pour détecter tout blocage.

**B** La lettre (P) et le(s) tiret(s) indique(nt) que l'interrupteur fonctionne sur POSITION. La lettre qui apparaît signifie que l'interrupteur est fermé; le tiret signifie qu'il est ouvert. Utilisez le bouton **TOUCH or HOLD** (Appuyez ou maintenez) (**RECHARGE TONIGHT-RECHARGE NOW**) (Rechargez cette nuit-Rechargez maintenant) pour faire manuellement avancer le clapet dans chaque cycle et pour vérifier le fonctionnement de l'interrupteur.

AFFICHAGES CORRECTS DE L'INTERRUPTEUR	STATUT DU CYCLE DU CLAPET
— —	Clapet en service, remplissage, lavage avec la solution saline, position de refoulement ou de rinçage rapide
— P	Le clapet tourne d'une position à une autre position

**C** Lorsque l'écran est dans la fonction diagnostic, les informations suivantes sont disponibles et peuvent être bénéfiques pour diverses raisons. L'information est conservée par l'ordinateur à partir de la première mise sous tension du système.

■ Appuyez et maintenez enfoncé le bouton UP (Haut) pour afficher le nombre de jours pendant lesquels l'alimentation électrique a été appliquée au système.

■ Appuyez et maintenez enfoncé le bouton DOWN (Bas) pour afficher le nombre de régénérations qui ont été initiées par le système depuis que le numéro de code SR a été entré.

**2** Appuyez sur le bouton **SELECT** et maintenez-le enfoncé pendant trois secondes jusqu'à ce qu'un code de rendement de Service apparaisse dans la fenêtre d'affichage. Répétez cette étape si le code **SR** n'est pas affiché.

**Pour assurer le bon fonctionnement du système adoucisseur d'eau, le numéro SR doit être comme suit :**

<b>GXSf27</b>	<b>SR22</b>
<b>GXSf39</b>	<b>SR31</b>
<b>GNSf35</b>	<b>SR35</b>

**Pour afficher le code**, appuyez sur le bouton UP ou DOWN (Haut ou Bas) jusqu'à ce que les données correctes apparaissent.

**3** Appuyez sur le bouton **SELECT** pour revenir sur l'affichage du temps actuel. **Si le code a été changé, faites TOUS les réglages de codes.**

**NOTE :** Si le système est laissé dans le mode d'affichage des diagnostics ou dans le mode d'affichage clignotant lorsque l'heure ou la dureté de l'eau est programmée, l'heure actuelle revient automatiquement si un bouton n'est pas enfoncé dans les quatre minutes.

# Au sujet du système adoucisseur d'eau.

## Service : Vérification de l'avance manuelle de régénération

Cette vérification permet de s'assurer du fonctionnement correct du moteur du clapet, du remplissage du réservoir de solution saline, de l'aspiration de la solution saline, des débits de régénération et autres fonctions du système. D'abord, faites les vérifications initiales et les *Diagnostics Manuels Initiés Manuellement*.

**NOTE :** L'affichage dans la fenêtre doit indiquer une heure stable (non clignotante).

**1** Appuyez sur le bouton **TOUCH or HOLD** (Appuyez ou Maintenez) et maintenez-le enfoncé pendant trois secondes. Le message **RECHARGE NOW** commence à clignoter lorsque le système adoucisseur d'eau entre dans le cycle de remplissage de la régénération. Retirez le couvercle du contenant de solution saline et en vous éclairant à l'aide d'une torche électrique, observez l'eau pénétrer dans le réservoir de solution saline. Si l'eau ne pénètre pas dans le réservoir, vérifiez qu'il n'y a pas d'obstruction du gicleur, du venturi, du bouchon de contrôle de remplissage ou du tuyau de la solution saline. Voyez la section *Entretien et nettoyage du système adoucisseur d'eau*.

**2** Après avoir observé le remplissage, appuyez sur le bouton **TOUCH or HOLD** (Appuyez ou Maintenez) pour placer le système adoucisseur dans le mode solution saline. Ceci entraîne un débit lent d'eau vers l'orifice de vidange. Vérifiez la succion de la solution saline en provenance du réservoir en éclairant le contenant de solution saline avec une torche électrique et en observant une réduction substantielle du niveau du liquide au cours d'une période de temps allongée.

**NOTE :** Assurez-vous qu'un pont de sel n'empêche pas l'eau de se mettre au contact du sel. Voyez la section *Entretien et nettoyage du système adoucisseur d'eau*.

Si l'adoucisseur n'aspire pas la solution saline, vérifiez :

- Que le gicleur et/ou le venturi ne sont pas sales ou défectueux.
- Que le gicleur et le venturi ne reposent pas correctement sur le joint.
- Que la conduite de vidange n'est pas obstruée (vérifiez le raccord et le tuyau).
- Que le joint du gicleur et du venturi n'est pas défectueux.
- Qu'il n'y a pas d'autres anomalies internes du clapet (joint de rotor, rotor & disque, rondelle, etc.).

**NOTE :** Si la pression de l'eau est basse, une surélévation du tuyau de vidange peut créer une contre-pression et arrêter l'aspiration de la solution saline.

**3** Appuyez à nouveau sur le bouton **TOUCH or HOLD** (Appuyez ou Maintenez) pour passer l'adoucisseur dans le mode de refoulement. Notez que le débit d'eau provenant du tuyau de vidange est rapide. Un débit lent indique qu'il y a un bouchage du couvercle du distributeur, du bouchon de contrôle de débit de refoulement ou du tuyau de vidange.

**4** Appuyez sur le bouton **TOUCH or HOLD** (Appuyez ou Maintenez) pour passer l'adoucisseur sur le mode de rinçage rapide. Une fois encore, notez que le débit d'eau vers l'orifice de vidange est rapide. Laissez l'adoucisseur d'eau faire un rinçage pendant quelques minutes pour éliminer toute trace de solution saline qui aurait pu rester après l'essai du cycle relatif à l'élaboration de la solution saline.

**5** Pour remettre l'adoucisseur en service, appuyez sur le bouton **TOUCH or HOLD** (Appuyez ou Maintenez).

## Entretien et nettoyage du système adoucisseur d'eau.

### Vérification du niveau de l'entreposage du sel et remplissage

La solution saline (sel dissout dans l'eau) est requise pour chaque et toutes les régénérations. L'eau servant à fabriquer la solution saline est dosée dans le réservoir du grâce au robinet et aux commandes du système adoucisseur d'eau. **Cependant, vous devez veiller à ce que le sel remplisse le réservoir.**

**Quand faut-il remplir le réservoir avec le sel :** Vérifiez le niveau du sel quelques semaines après avoir installé le système adoucisseur d'eau et ensuite, chaque semaine. Refaites le plein lorsque le réservoir de solution saline est rempli du tiers à la moitié de sa capacité. Dans les endroits humides, il est préférable de remplir le réservoir avec moins de sel mais plus fréquemment. Ne jamais laisser le système adoucisseur d'eau utiliser tout le sel sans que vous ne le remplissiez. Sans sel, votre eau deviendra rapidement dure (non traitée).

N'utilisez que du sel adoucisseur d'eau propre avec une pureté minimale de 99,5%. Nous recommandons le sel NUGGET, PELLET ou du sel brut SOLAR. **N'utilisez pas du sel à l'état solide, en blocs, granulé ou le sel servant à la fabrication de crème glacée.** Ce type de sel contient des saletés, des sédiments, du charbon et du cake qui engendreront des problèmes d'entretien.

**▲ ATTENTION : Sel pour adoucisseur d'eau contenant des additifs pour l'élimination du fer :** Certains types de sel peuvent contenir un additif facilitant le travail du système adoucisseur d'eau dans le traitement du fer présent dans l'eau. Bien que cet additif aide à garder la résine du système adoucisseur d'eau propre, il peut aussi dégager des fumées corrosives qui affaibliront et réduiront la durée de vie de certains composants de l'adoucisseur. GE recommande l'utilisation exclusive des marques de sel Diamond Crystal® et Red-Out®.

### Élimination du fer dans le système adoucisseur d'eau

Votre système adoucisseur d'eau élimine les minéraux durs (calcium et magnésium) de l'eau. De plus, il peut traiter un certain nombre de métaux ferreux présents dans « l'eau claire » (Voyez la section *Guide des spécifications*). Lorsqu'elle contient du fer, l'eau claire en provenance du robinet est claire seulement lorsqu'elle est versée dans un verre. Après un temps variant de 15 à 30 minutes, l'eau devient trouble ou passe à la couleur de la rouille. Un système adoucisseur d'eau **n'éliminera pas** le fer qui rend l'eau trouble ou lui donne une couleur de rouille lorsqu'elle coule du robinet (cette eau est appelée eau rougie par le fer). Pour éliminer le fer de cette eau par laquelle elle est rougie ou si la concentration maximale de fer dans l'eau claire a été atteinte, il est nécessaire de disposer d'un filtre à fer ou d'autre type d'accessoires.

GE recommande l'utilisation de sel Diamond Crystal® Red-Out® avec un additif Iron Fighter® afin d'aider à garder propre le « lit » de résine. Si votre eau est de l'eau rougie par le fer, il est nécessaire de procéder périodiquement au nettoyage du « lit » de résine. GE recommande l'utilisation du produit Super Iron Out® pour le nettoyage du « lit » de résine afin de nettoyer complètement le dit lit si le contenu en fer est élevé. Nettoyez le « lit » tous les six mois ou plus souvent si le fer se manifeste dans l'eau traitée entre les nettoyages.

**IMPORTANT :** Il est important de mélanger l'agent de nettoyage du « lit » de résine avec de l'eau (suivez les instructions du fabricant). Verser le produit dans le **tuyau de contenant de solution saline** (voyez la page 32) et régénérez l'adoucisseur immédiatement. Ne versez pas le nettoyant du « lit » de résine avec le sel car ceci diminuerait son efficacité et peut causer des dommages à l'adoucisseur si le nettoyant est laissé dans le réservoir de solution saline pendant une période substantielle à la suite de la production de gaz corrosifs.

## Avant d'appeler un réparateur...



Conseils de dépannage

Économisez de l'argent! Consultez d'abord les tableaux qui suivent et vous pourrez peut-être éviter de faire appel à un réparateur.

### PAS D'EAU TRAITÉE – PROBLÈMES LES PLUS COMMUNS

Vérifiez les points suivants avant d'appeler un réparateur

- Pas assez sel dans l'adoucisseur....au minimum, l'appareil doit être au 1/3 plein.
- Robinet de dérivation dans la position « Dérivation »–doit être dans la position « Service ». Le bouton doit être sur la position OUT (Sortie).
- Réglage de dureté trop bas–Vérifiez le réglage de dureté sur le panneau de commande. Vérifiez la dureté de l'eau. Cette dureté peut varier au cours de l'année (voyez la section Programmation du panneau de commande).
- Il y a un pont de sel. L'eau ne touche pas le sel (voyez la section Élimination d'un pont de sel).

Problème	Causes possibles	Correctifs
<b>Pas d'eau traitée</b>	<p>Le robinet ou autre dispositif d'alimentation ayant permis la prise d'un spécimen non connecté à la source d'eau traitée</p> <p><b>NOTE :</b> Assurez-vous que le spécimen provient d'un robinet qui ne mélange pas l'eau traitée à celle qui ne l'est pas, par exemple, un robinet de cuisine équipé d'un levier de commande simple si le côté eau froide est raccordé à la source d'eau dure (non traitée).</p>	<ul style="list-style-type: none"><li>• Pour conserver le sel, il est possible que l'installateur ait isolé certains composants (robinets extérieurs, toilettes, etc.) de la source d'eau traitée. À partir du point de sortie du système adoucisseur, déterminez quel est l'acheminement de l'eau dans les conduites de la résidence. Si l'eau traitée n'est pas acheminée vers un robinet ou vers un autre accessoire qui devrait recevoir cette eau, consultez un plombier.</li></ul>
	<p><b>Pas de sel dans le réservoir de solution saline ou le sel fait un pont</b></p>	<ul style="list-style-type: none"><li>• Vérifiez s'il existe un pont de sel ou si le réservoir est vide, remplissez-le avec le sel recommandé. Appuyez (pendant 3 secondes) sur le bouton <b>TOUCH or HOLD</b> (Appuyez ou Maintenez) pour déclencher une régénération immédiate et pour rétablir l'alimentation d'eau traitée.</li></ul>
	<p><b>Le transformateur est débranché de la prise ou le câble d'alimentation n'est pas branché à l'adoucisseur.</b></p> <p><b>Le fusible est brûlé ou le disjoncteur a sauté sur le panneau des disjoncteurs.</b></p> <p><b>La prise électrique est connectée à un circuit qui ne peut être mis hors-tension.</b></p>	<ul style="list-style-type: none"><li>• Vérifiez s'il y a perte d'alimentation électrique du système adoucisseur qui aurait pu se produire pour l'une quelconque des raisons suivantes et rectifiez. Une fois l'alimentation électrique rétablie, notez l'affichage de l'heure sur le panneau de commande et lisez la section <i>Programmation de la mémoire</i>. <b>NOTE :</b> La prise de courant de l'adoucisseur doit être en permanence sous tension pour éviter que l'appareil soit accidentellement éteint.</li></ul>
	<p><b>Robinet manuel de dérivation sur la position bypass (dérivation)</b></p>	<ul style="list-style-type: none"><li>• Assurez-vous que l'axe du robinet de dérivation est correctement positionné, le bouton étant sur la position OUT (Sortie). Noter les directives sur le décalcomanie à l'extrémité de l'axe.</li></ul>
	<p><b>Tuyau de vidange pincé, bouché, placé trop haut ou faisant l'objet de restriction de fonctionnement.</b></p>	<ul style="list-style-type: none"><li>• Toute restriction du tuyau de vidange peut empêcher le fonctionnement correct du gicleur et du venturi, réduisant ainsi ou s'opposant à l'aspiration de la solution saline pendant les régénérations.</li></ul>
	<p><b>Gicleur et venturi sales, non montés correctement ou endommagés.</b></p>	<ul style="list-style-type: none"><li>• Référez-vous aux directives <i>Nettoyage de l'ensemble gicleur et venturi</i>. Une fois la pression de l'eau au système adoucisseur d'eau arrêtée, démontez l'ensemble du gicleur, vérifiez et nettoyez-le puis remontez-le. Toute(s) particule(s) étrangère(s), rayures, entailles, etc., dans les passages peut (peuvent) empêcher le fonctionnement. Assurez-vous que les trous dans le joint sont alignés avec ceux du logement.</li></ul>

# Avant d'appeler un réparateur...

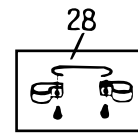
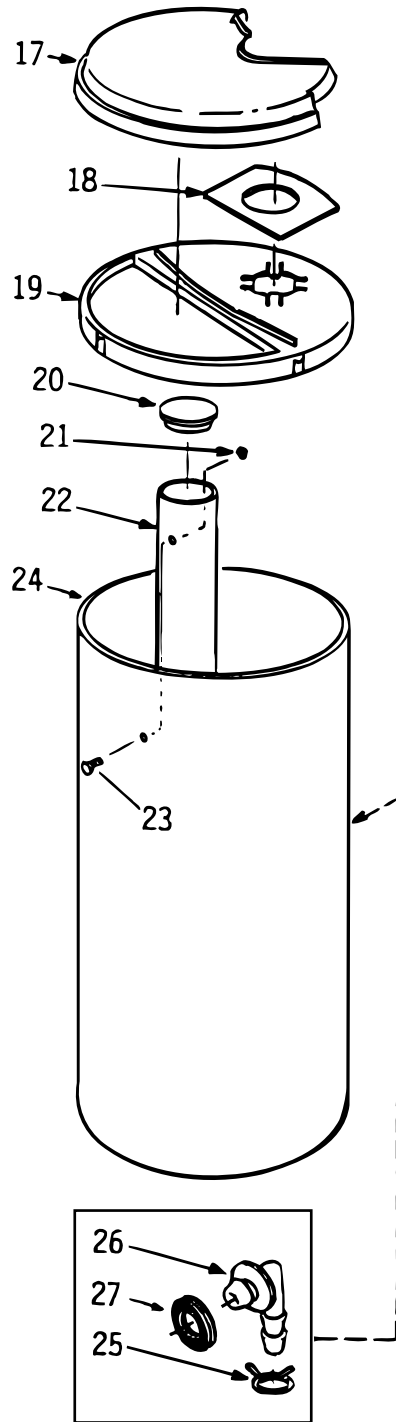
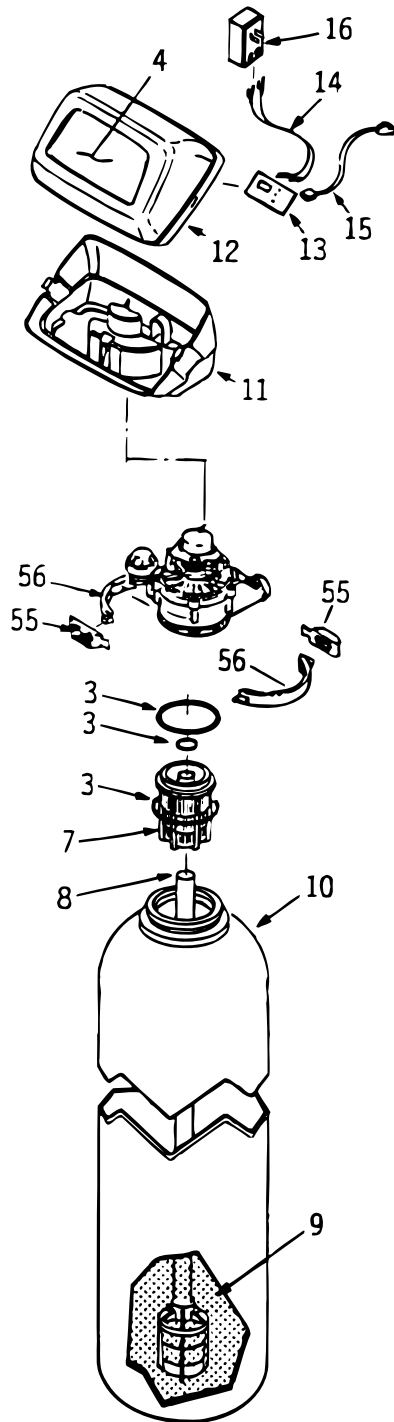


## Conseils de dépannage

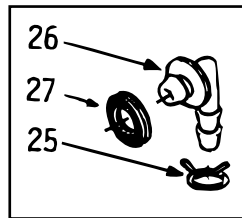
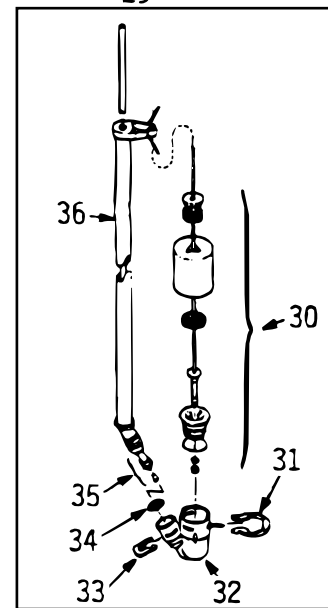
Problème	Causes possibles	Correctifs
<b>Parfois, l'eau est dure</b>	Utilisation de l'eau chaude alors que le système adoucisseur d'eau est en train de régénérer	<ul style="list-style-type: none"> <li>Évitez d'utiliser l'eau chaude au cours des régénérations du système adoucisseur d'eau parce que le chauffe-eau se remplira d'eau dure. Voyez la section <i>Dérivation automatique de l'eau dure (non traitée) au cours de la régénération</i>.</li> </ul>
	Le nombre affiché correspondant à la dureté de l'eau est trop bas	<ul style="list-style-type: none"> <li>Appuyez sur le bouton <b>SELECTIONNER</b> (Affichez) et le relâcher jusqu'à ce que <b>HARDNESS</b> (Dureté) apparaisse dans la fenêtre. Assurez-vous que le nombre affiché est le même qui correspond à la dureté en grains par gallon de votre eau. Voyez la section <i>Panneau de commande</i> si un changement de valeur est nécessaire.</li> </ul>
	Le nombre de grains définissant la dureté de votre eau a augmenté	<ul style="list-style-type: none"> <li>La dureté de l'eau peut varier dans le temps, particulièrement l'eau provenant de puits. Aux fins de vérification, faites tester l'eau par un laboratoire d'analyses ou appelez votre service local de fourniture d'eau. Réglez la dureté de l'eau le cas échéant.</li> </ul>
<b>Après l'installation du système adoucisseur d'eau, l'eau paraît être « glissante »</b>	Absence de minéraux déterminant la dureté de l'eau	<ul style="list-style-type: none"> <li>Ceci est normal.</li> </ul>
<b>Le système adoucisseur d'eau ne consomme aucun sel</b>	Le système adoucisseur d'eau est un système fonctionnant « à la demande »	<ul style="list-style-type: none"> <li>Il ne faut pas beaucoup de sel pour régénérer. Le système est très efficace.</li> </ul>
	Il est possible qu'un pont de sel soit présent	<ul style="list-style-type: none"> <li>Voyez la section <i>Instructions d'utilisation, conseils</i>.</li> </ul>
	Il est possible que le gicleur et le venturi soient bouchés	<ul style="list-style-type: none"> <li>Voyez la section <i>Instructions d'utilisation, conseils</i>.</li> </ul>
<b>Après l'installation du système adoucisseur d'eau, l'eau est de couleur bleue</b>	Présence d'eau acide dans la conduite	<ul style="list-style-type: none"> <li>Faites immédiatement tester l'eau.</li> </ul> <p style="text-align: center;"><b>⚠ AVERTISSEMENT : Ne pas boire cette eau tant que le problème n'a pas été rectifié.</b></p>
<b>Le système adoucisseur d'eau ne régénère pas</b>	Turbine du compteur bloquée	<ul style="list-style-type: none"> <li>Appelez le réparateur.</li> </ul>
	Corrosion du fil du détecteur	<ul style="list-style-type: none"> <li>Appelez le réparateur.</li> </ul>
	Aucune alimentation électrique de l'appareil	<ul style="list-style-type: none"> <li>Vérifiez le disjoncteur ou les fusibles.</li> </ul>
	Défaut mécanique	<ul style="list-style-type: none"> <li>Appelez le réparateur.</li> </ul>
<b>Les verres (dans une machine à laver la vaisselle automatique) ne sont pas transparents</b>	Combinaison d'eau traitée et d'un excès de détergent	<ul style="list-style-type: none"> <li>Cette particularité est appelée <i>opacité</i> et elle est permanente. Pour empêcher ce phénomène de se produire, réduire la quantité de détergent si votre eau est traitée. Lavez les verres sur le cycle le plus court assurant leur propreté.</li> </ul>

<b>Problème</b>	<b>Causes possibles</b>	<b>Correctifs</b>
<b>Après l'installation, l'eau a un goût salé</b>	Refoulement et temps de rinçage insuffisants	<ul style="list-style-type: none"> <li>• Appuyez sur le bouton <b>TOUCH or HOLD</b> (Appuyez ou Maintenez) et le maintenir enfoncé jusqu'à ce que <b>RECHARGE</b> (Recharge) commence à clignoter pour amorcer une régénération.</li> <li>• Une fois le cycle de régénération terminé (environ 2 heures), faites couler l'eau des robinets afin de purger l'eau salée.</li> </ul>
	Pression de l'eau basse	<ul style="list-style-type: none"> <li>• Vérifiez la pression qui devrait au minimum être de 20 psi.</li> </ul>
	Restriction dans le tuyau de vidange	<ul style="list-style-type: none"> <li>• Nettoyez et rebranchez le tuyau.</li> </ul>
<b>Les grains de résine sont présents dans l'eau de table et dans l'évier</b>	Distributeur fêlé	<ul style="list-style-type: none"> <li>• Appelez le réparateur.</li> </ul>
<b>Bruits de l'appareil</b>	L'eau coulant de l'appareil vers l'orifice de vidange	<ul style="list-style-type: none"> <li>• Ceci est normal.</li> </ul>
<b>Il y a des bulles dans l'eau qui est trouble</b>	Il y a de l'air dans le système après l'installation	<ul style="list-style-type: none"> <li>• Les bulles disparaîtront après que l'adoucisseur a fonctionné pendant un certain temps.</li> </ul>
<b>Erreur de code sur le panneau de commande</b>	Possibilité de câbles mal branchés dans le panneau de commande	<ul style="list-style-type: none"> <li>• Débranchez le transformateur.</li> <li>• Retirez le couvercle du panneau de commande, libérez les attaches latérales.</li> <li>• Vérifiez s'il y a des fils mal branchés au panneau électronique ou à l'interrupteur. Rebranchez si nécessaire.</li> <li>• Remettez le couvercle du panneau de commande en place.</li> <li>• Branchez le transformateur.</li> <li>• Attendez six minutes pour savoir si le code d'erreur réapparaît.</li> <li>• Dans l'affirmative, appelez le réparateur.</li> </ul>

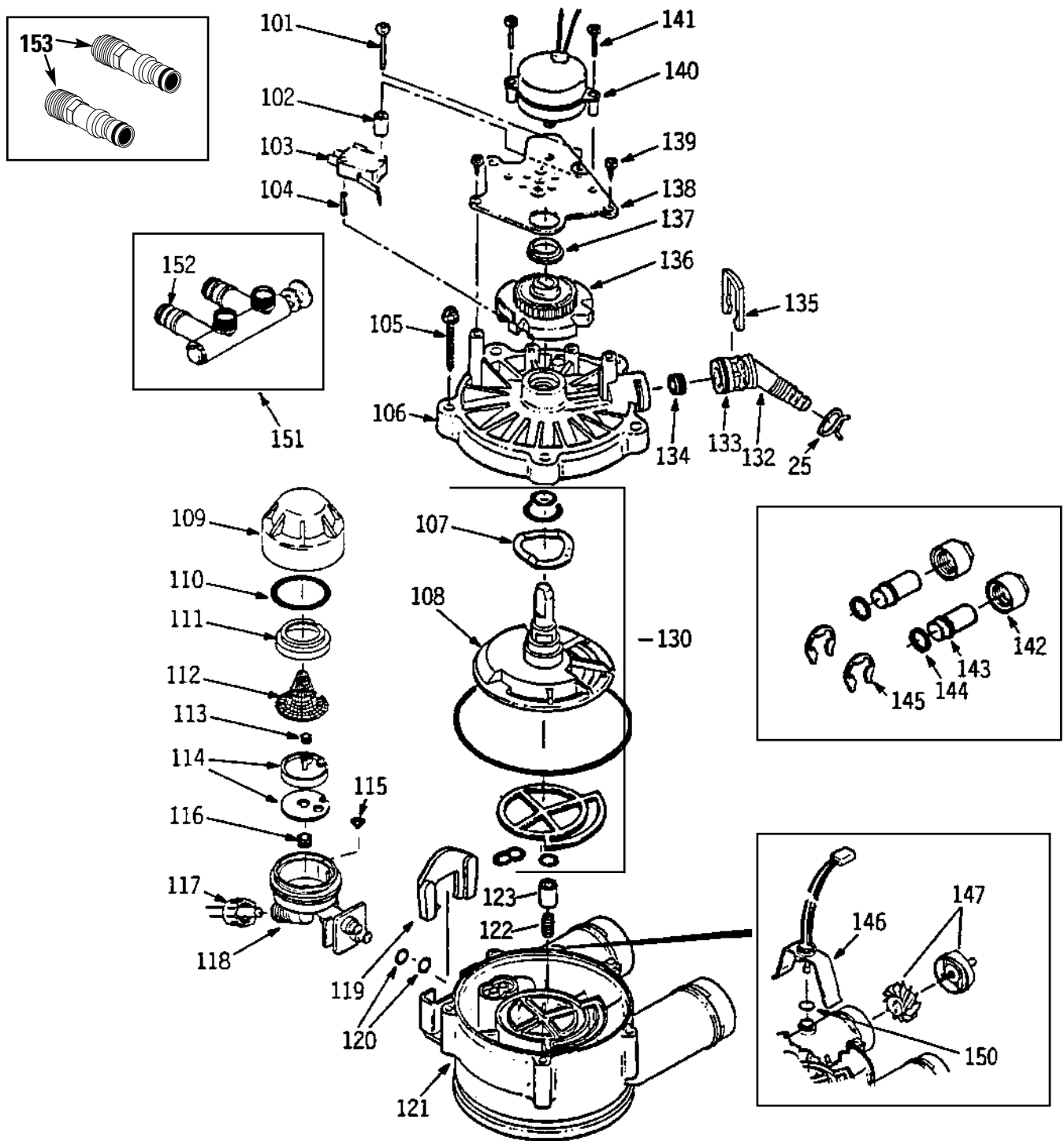
# Liste des pièces.



29



# Liste des pièces.



# Catalogue des pièces.

## GENERAL ELECTRIC CATALOGUE DES PIÈCES

NO DE RÉFÉRENCE	NO DE PIÈCE	DESCRIPTION DES PIÈCES	GXSFP27	GNSF35	GXSFP39
0003	WS35X10001	TROUSSE DE JOINTS TORIQUES	1	1	1
0004	WS34X10013	DÉCALCOMANIE	-	-	1
	WS34X10011	DÉCALCOMANIE	-	1	-
	WS34X10012	DÉCALCOMANIE	1	-	-
0005	WS07X10004	TUYAU DE VIDANGE, 20 PI	1	1	1
0007	WS14X10002	COUVERCLE DU DISTRIBUTEUR	1	1	1
0008	WS14X10001	FOND DU DISTRIBUTEUR	1	1	1
0009	WS01X10002	RÉSINE - 1 PL.CUBE	1	1	1
0010	WS32X10001	RÉSERVOIR DE RÉSINE	1	-	-
	WS32X10011	RÉSERVOIR DE RÉSINE	-	1	1
0011	WS31X10001	COUVERCLE DU FOND	1	1	1
0012	WS31X10002	COUVERCLE DU PANNEAU DE COMMANDE	1	1	1
0013	WS21X10006	PANNEAU DE COMMANDE	-	1	-
	WS21X10011	PANNEAU DE COMMANDE	1	-	1
0014	WS19X10003	FAISCEAU DE FILS	1	1	1
0015	WS06X10003	FIL D'ALIMENTATION	1	1	1
0016	WS26X10001	TRANSFORMATEUR	1	1	1
0017	WS31X10010	COUVERCLE D'ORIFICE DE REMPLISSAGE DU SEL	1	1	1
0018	WS33X10001	ÉCRAN D'ÉTANCHÉITÉ À LA VAPEUR	1	1	1
0019	WS33X10002	BORD	1	1	1
0020	WS31X10003	COUVERCLE DU CONTENANT DE SOLUTION SALINE	1	1	1
0021	WS02X10009	ÉCROU PAPILLON, 1/4 PO. - 20	1	1	1
0022	WS32X10002	CAVITÉ DU RÉSERVOIR DE SOLUTION SALINE, ARRONDI	1	1	1
0023	WS02X10011	VIS, 1/4 PO. - 20 NYLON	1	1	1
0024	WS32X10003	RÉSERVOIR DE SOLUTION SALINE, ARRONDI	1	1	1
0025	WS18X10003	ATTACHE DE TUYAU	1	1	1
0026	WS22X10016	ADAPTEUR POUR TUYAU	1	1	1
0027	WS22X10017	RONDELLE	1	1	1
0028	WS35X10002	TROUSSE DE FIXATION AU SOL	1	1	1
0029	WS15X10005	ENSEMBLE DU ROBINET DE SOLUTION SALINE	1	1	1
0030	WS35X10003	ENSEMBLE DU FLOTTEUR, TIGE ET GUIDE	1	1	1
0031	WS03X10006	ATTACHE	1	1	1
0032	WS15X10006	CORPS DU ROBINET DE SOLUTION SALINE	1	1	1
0033	WS03X10007	ATTACHE	1	1	1
0034	WS03X10008	GRILLE	1	1	1
0035	WS07X10002	ENSEMBLE DES CONDUITES	1	1	1
0036	WS07X10003	CONDUITE DE SOLUTION SALINE	1	1	1
0055	WS28X10003	ATTACHE DE FIXATION	2	2	2
0056	WS28X10004	COLLIER DE SERRAGE	2	2	2
0999	49-50061	MANUEL DU PROPRIÉTAIRE ET DIRECTIVES D'INSTALLATION	1	1	1



# Catalogue des pièces.

## GENERAL ELECTRIC CATALOGUE DES PIÈCES

NO DE RÉFÉRENCE	NO DE PIÈCE	DESCRIPTION DES PIÈCES	GXS F27	GNS F35	GXS F39
0025	WS18X10003	ATTACHE DE TUYAU	1	1	1
0101	WS02X10012	VIS NO 4 - 24 X 1 - 1/8 PO	1	1	1
0102	WS02X10013	ENTRETOISE	1	1	1
0103	WS21X10003	INTERRUPTEUR	1	1	1
0104	WS03X10009	BROCHE D'EXPANSION	1	1	1
0105	WS02X10014	VIS NO 10 - 14 X 2 PO	5	5	5
0106	WS31X10006	COUVERCLE DE ROBINET	1	1	1
0107	WS03X10010	RONDELLE	1	1	1
0108	WS26X10002	ROTOR & DISQUE	1	1	1
0109	WS19X10004	COUVERCLE	1	1	1
0110	WS03X10011	JOINT TORIQUE 1.1 PO X 1.4 PO	1	1	1
0111	WS19X10005	SUPPORT DE GRILLE	1	1	1
0112	WS03X10013	GRILLE	1	1	1
0113	WS22X10020	BOUCHON RÉGULATEUR DE DÉBIT, .1GPM	1	1	1
0114	WS08X10005	JOINT, GICLEUR/VENTURI	1	1	1
0115	WS03X10015	GRILLE CONIQUE	1	1	1
0116	WS22X10021	BOUCHON DE CONTROLE DE REMPLISSAGE, .3GPM	1	1	1
0117	WS03X10017	EMBOUT D'ÉCROU	1	1	1
0118	WS15X10009	ENSEMBLE DE GICLEUR/VENTURI	1	1	1
0119	WS03X10018	BOULON DE RETENUE	1	1	1
0120	WS03X10019	JOINT TORIQUE 1/4 PO X 3/8 PO	2	2	2
0121	WS15X10010	CORPS DE ROBINET	1	1	1
0122	WS03X10020	RESSORT	1	1	1
0123	WS22X10022	BOUCHON, VIDANGE DU SEL	1	1	1
0130	WS35X10005	TROUSSE DE JOINTS	1	1	1
0132	WS22X10023	ADAPTEUR POUR TUYAU DE VIDANGE	1	1	1
0133	WS03X10021	JOINT TORIQUE 5/8 PO X 13/16 PO	1	1	1
0134	WS03X10022	BOUCHON RÉGULATEUR DE DÉBIT, COMMANDE DE RINÇAGE	1	1	1
0135	WS03X10023	ATTACHE	1	1	1
0136	WS26X10003	CAME & ENGRENAGE	1	1	1
0137	WS26X10004	PALIER	1	1	1
0138	WS26X10005	PLAQUE DU MOTEUR	1	1	1
0139	WS02X10015	VIS NO 6 - 20 X 3/8 PO	2	2	2
0140	WS26X10006	ENSEMBLE DU MOTEUR	1	1	1
0141	WS02X10016	VIS NO 6 - 20 X 7/8 PO	2	2	2
0142	WS60X10001	ÉCROU D'INSTALLATION	2	2	2
0143	WS60X10002	TUBE D'INSTALLATION	2	2	2
0144	WS60X10003	RONDELLE	2	2	2
0145	WS60X10004	ATTACHE	2	2	2
0146	WS28X10005	LOGEMENT DU DÉTECTEUR	1	1	1
0147	WS19X10006	ENSEMBLE DE LA TURBINE & SUPPORT	1	1	1
0150	WS03X10024	JOINT TORIQUE	1	1	1
0151	WS15X10012	ENSEMBLE DU ROBINET DE DÉRIVATION	1	1	1
0152	WS03X10025	JOINT TORIQUE	2	2	2
0153	WS60X10006	ADAPTEUR	2	2	2

**\*NOTE :** Les codes de l'état du Massachusetts exigent que l'installation soit effectuée par un plombier qualifié et n'autorisent pas l'utilisation de robinet à bride. Pour l'installation, utilisez le code de plombage 248-CMR du Commonwealth du Massachusetts.



# Garantie du système adoucisseur d'eau de GE (pour consommateurs au Canada)



Tous les services couverts par la garantie sont fournis par les Centres de Service de l'usine ou par un technicien. Pour le service, appelez sans frais 1-866-777-7627.

## Pour la période de : Nous remplacerons :

<b>Un an</b> À partir de la date d'achat original	<b>Tout composant</b> du système adoucisseur d'eau qui cessera de fonctionner à la suite d'un défaut matériel ou de fabrication. Au cours de cette <b>garantie complète de une année</b> , GE assurera <b>sans frais</b> les travaux et service à domicile pour le remplacement des pièces défectueuses.
<b>Trois ans</b> À partir de la date d'achat original	<b>L'écran électronique</b> s'il tombe en panne à la suite d'un défaut matériel ou de fabrication. Au cours de cette <b>garantie limitée de trois ans</b> , vous serez responsable de tous frais de main-d'oeuvre ou de service à domicile.
<b>Dix ans</b> À partir de la date d'achat original	<b>Pour le remplacement du réservoir de solution saline ou du réservoir de résine</b> si l'un ou l'autre présente un défaut matériel ou de fabrication. Au cours de cette <b>garantie limitée de dix années</b> , vous serez responsable de tous frais de main-d'oeuvre ou de service à domicile.

## Ce qui n'est pas couvert :

- Les déplacements de service à domicile pour vous enseigner comment utiliser le produit.
- Installation incorrecte.  
Si vous avez un problème d'installation, contactez votre vendeur ou votre installateur. Vous êtes responsable pour fournir une installation électrique adéquate, l'échappement et d'autres possibilités de branchement.
- Le remplacement des fusibles de la résidence ou le réenclenchement des disjoncteurs.
- Le non-fonctionnement du produit si celui-ci n'a pas été correctement utilisé ou s'il a été utilisé dans un but autre que celui pour lequel il a été conçu, ou encore s'il a été utilisé commercialement.
- Les dommages causés par accident au produit, les incendies, inondations ou actes de Dieu.

L'ORGANISME GARANT N'EST PAS RESPONSABLE DES DOMMAGES INDIRECTS.

Organisme garant : CAMCO INC.

## Numéros de téléphone pour le service.

---



### GE Answer Center® Aux États-Unis : 800-626-2000

---

Le GE Answer Center® est ouvert 24 heures sur 24 tous les jours de la semaine.

**Au Canada**, contactez le Directeur des Relations avec le Consommateur, 1 Factory Lane, Suite 310, Moncton, N.B. E1C 9M3

**OU**

Visitez notre site Web à [www.geappliances.com](http://www.geappliances.com)



### Service de réparations à domicile Aux États-Unis : 800-432-2737

---

L'expert du service de réparation de GE peut être rejoint par un simple appel téléphonique.

**Au Canada**, appelez sans frais 1-866-777-7627.



### Service des besoins spéciaux Aux États-Unis : 800-626-2000

---

GE offre sans frais un dépliant pour faciliter la disposition d'une cuisine sans barrière pour personnes à mobilité réduite. **Aux États-Unis, appelez le 800-TDD-GEAC (800-833-4322).**

**Au Canada**, contactez le Directeur des Relations avec le Consommateur, 1 Factory Lane, Suite 310, Moncton, N.B. E1C 9M3.

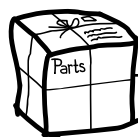


### Contrats de service Aux États-Unis : 800-626-2224

---

Faites l'achat d'un contrat de service GE alors que votre garantie est toujours en vigueur et vous bénéficierez d'une réduction substantielle. Le service aux consommateurs de GE sera toujours présent lorsque votre garantie sera expirée.

**Au Canada**, appelez le 1-800-461-3636.



### Pièces et accessoires Aux États-Unis : 800-626-2002

---

Les personnes qualifiées pour assurer l'entretien de leurs appareils ménagers peuvent obtenir des pièces ou accessoires qui seront expédiés directement à leur domicile (les cartes VISA, Master Card et Discover sont acceptées).

**Les instructions contenues dans ce manuel couvrent les procédures à effectuer par tout usager. Les autres types de service doivent en général être référés à du personnel de service qualifié. Prendre toutes précautions car une intervention de service incorrecte peut rendre l'utilisation hasardeuse.**

**Au Canada, consultez les pages jaunes pour obtenir le no local de Camco.**



### Satisfaction du service

---

Si vous êtes insatisfait du service reçu de GE :

**Initialement**, contactez les personnes qui ont assuré le service de votre appareil.

**Ensuite, aux États-Unis**, si vous êtes toujours insatisfait, envoyez tous les détails incluant votre no de téléphone à : Manager, Customer Relations, GE Appliances, Appliance Park, Louisville, KY 40225. Ou, **au Canada** : Directeur, Relations avec le Consommateur, Camco Inc., 1 Factory Lane, Suite 310, Moncton, N.B., E1C 9M3.

## ***La sección Español.***

---

### ***Instrucciones de Seguridad***

Instalación apropiada .....55

### ***Instrucciones de instalación***

Conexiones de desagüe .....59, 60

Desempaquetado e inspección ...56

Desinfección .....62

Especificaciones y dimensiones ...62

Herramientas y materiales

requeridos .....57

Instrucciones de instalación ...56-58

Instrucciones paso por paso ...59-62

Planificación y localización .....57

Programación del control .....61

Recomendaciones importantes ...56

### ***Consejos sobre las instrucciones de operación***

Características .....65, 66

Cómo limpiar la ensambladura de la boquilla y el Venturi .....64

Cómo regenerar el sistema .....68

Diagnósticos electrónicos .....67

Rotura de un puente de sal .....64

Servicio .....63

Sistema de descalcificación

de agua .....63-68

Visualizaciones de los controles ...65

### ***Cuidado y limpieza***

Limpieza del hierro del agua ....68

Nivel de almacenamiento y

rellenado de sal .....68

### ***Consejos para la identificación y solución de averías*** .....69-71

### ***Servicios al consumidor***

Garantía .....76

Lista de partes/catálogo .....72-75

Números telefónicos

importantes .....79



### *¡IMPORTANTE!*

Llene la Tarjeta de Registro del Producto del Consumidor.

**¡Dos formas fáciles de registrar su electrodoméstico!**

- A través de la Internet en [www.geappliances.com](http://www.geappliances.com)
- Complete y envíe por correo la Tarjeta de Registro del Producto



### *PARA SUS RÉCORDS*

**Escriba los números de modelo y serie aquí:**

# \_\_\_\_\_

# \_\_\_\_\_

Puede encontrarlos en el soporte del sumidero.

**Guarde los recibos de venta o los cheques cancelados aquí.**

La prueba de la fecha de compra original es necesaria para obtener servicio bajo la garantía.



### *LEA ESTE MANUAL*

En el interior encontrará muchas ideas útiles de cómo usar y mantener su sistema de agua apropiadamente. Un poco de cuidado preventivo de su parte le puede ahorrar mucho tiempo y dinero durante la vida de su sistema.



### *SI NECESITA SERVICIO*

Usted encontrará muchas respuestas a problemas comunes en la sección *Antes de Llamar para Solicitar Servicio*. Si inspecciona primero nuestra tabla de *Consejos para la Identificación y Solución de Averías*, quizás no tenga que llamar para solicitar servicio.

Si en efecto usted necesita servicio, relájese y tenga la seguridad de que la ayuda necesaria la encontrará con solo llamarnos por teléfono.

Hemos incluido una lista de números de servicio gratuitos para el cliente en la cubierta posterior.

**0**

Visite nuestra página en la Internet: [www.geappliances.com](http://www.geappliances.com)

# INFORMACIÓN IMPORTANTE SOBRE SEGURIDAD. LEA TODAS LAS INSTRUCCIONES ANTES DE USAR.

**⚠ ¡ADVERTENCIA!** Por su seguridad, la información en este manual debe ser obedecida para minimizar el riesgo de descargas eléctricas, daños a la propiedad, o lesiones personales.



## PRECAUCIONES DE SEGURIDAD

- Inspeccione y cumpla con los códigos locales y estatales. Usted debe cumplir con estas directrices.
  - Sea cuidadoso cuando se encuentre trabajando con el sistema de descalcificación de agua. No lo coloque boca arriba, ni lo deje caer, ni lo arrastre, ni lo apoye en protuberancias.
  - Los sistemas de descalcificación de agua que usen cloruro de sodio (sal) para la regeneración le agregan sodio al agua. *Las personas que se encuentren en dietas donde se les restringe el sodio deberían considerar esta cantidad de sodio en su consumo general. En este caso se puede usar cloruro de potasio como alternativa al cloruro de sodio en su descalcificador.*
  - El sistema de descalcificación de agua funciona solamente con suministro energético de 24 voltios-60 Hz. *Cerciórese de usar exclusivamente el transformador incluido.*
  - El transformador debe ser conectado solamente en un tomacorriente interior de 120 voltios.
  - Use sales descalcificadoras de agua limpia solamente que sean por lo menos 99,5% puras. Se recomienda el uso de sales de PEPITAS, BOLITAS o SAL GRUESA SOLAR. **No use sales para hacer helado, granuladas, en bloques, o en rocas.** Ellas contienen suciedades y sedimentos o masa y pasta, y crearán problemas de mantenimiento.
  - Mantenga la tapa del agujero de la sal en el descalcificador a no ser que se le esté dando servicios de mantenimiento o que usted se encuentre rellenando el sistema con sal.
- ⚠ ADVERTENCIA:** use con agua que sea microbiológicamente insegura o de calidad desconocida sin llevar a cabo la desinfección adecuada antes o después del sistema.



## INSTALACIÓN APROPIADA

*Este sistema de descalcificación de agua debe ser instalado correctamente y localizado de acuerdo a las instrucciones de instalación antes de ser usado.*

- Instale o almacene donde no quedará expuesto a temperaturas por debajo del punto de congelación ni estará expuesto a ningún tipo de inclemencias atmosféricas. Si agua llega a congelarse en el sistema, éste podría romperse. No intente dar tratamiento al agua si se encuentra por encima de 38 °C (100 °F).
  - **No instale** expuesto a los rayos directos del sol. Calor solar excesivo podría causar distorsión u otros daños a las partes no-metálicas.
  - Conecte a tierra de manera apropiada según los códigos y ordenanzas aplicables.
  - Use solamente *fundente y soldadura sin plomo* para todas las conexiones soldadas, según los códigos estatales y federales aplicables.
  - El sistema de descalcificación de agua requiere un flujo de agua mínimo de tres galones por minuto en la entrada. La presión de entrada máxima permitida es de 125 psi. Si la presión durante el día es por encima de 80 psi, la presión nocturna podría exceder el máximo. Use una válvula reductora de presión para reducir el flujo si es necesario.
  - Las resinas de descalcificación podrían degradarse ante la presencia de cloro por encima de 1 ppm. Si usted tiene una cantidad de cloro mayor a esta, quizás experimente una vida menor de la resina. En estas condiciones, es posible que quiera considerar la compra de un sistema de filtración del punto de admisión para casas GE con un filtro reductor de cloro.
- ⚠ ADVERTENCIA:** Descarte todas las partes y los materiales de embalaje que no fueron usados después de la instalación. Partes pequeñas restantes después de la instalación podrían representar un peligro de asfixia.



LEA Y SIGA ESTAS INFORMACIONES DE SEGURIDAD CUIDADOSAMENTE.

**GUARDE ESTAS INSTRUCCIONES**

# Instrucciones de instalación.

---



**PRECAUCIÓN:** Se necesita cierta habilidad de plomería para la instalación. Si usted no está seguro acerca de la instalación de alguna de las partes de este producto, consulte a un plomero profesional.

## **Desempacado e inspección**

Cerciórese de inspeccionar completamente el descalcificador en busca de daños durante el envío o partes que puedan haberse perdido. También note daños al cartón de envío. Póngase en contacto con la compañía de transporte para cualquier reclamo por daño o pérdida. El fabricante no es responsable por daños sufridos durante el tránsito.

Las partes pequeñas necesarias para instalar el descalcificador se encuentran en una pieza de cartón termoconformada. Para evitar la pérdida de las partes pequeñas, manténgalas en el paquete termoconformado hasta que usted esté listo para usarlas.

---

## **Recomendaciones importantes para la instalación**

Lea el manual completo. No guiarse por las directrices y reglas podría causar lesiones personales o daños a la propiedad.

- Antes de comenzar la instalación, lea estas Instrucciones de instalación completamente. Luego, obtenga todos los materiales y herramientas que necesitará para llevar a cabo la instalación. No instalar correctamente el descalcificador invalida la garantía.
- Revise los códigos locales. La instalación debe cumplir tales requisitos.
- **En el estado de Massachusetts, la instalación debe ajustarse al Código de Plomería 248 CMR. Consulte a su plomero certificado.**
- Use solamente fundente y soldadura sin plomo para todas las conexiones dulces soldadas, según los códigos estatales y federales aplicables.
- Conecte el descalcificador en la tubería de suministro principal **antes** del calentador de agua. **NO HAGA PASAR AGUA CALIENTE A TRAVÉS DEL DESCALCIFICADOR.** La temperatura del agua que pase a través del descalcificador debe ser menor de 49 °C (120 °F).
- Tenga cuidado cuando maneje el descalcificador. No lo coloque boca arriba, ni lo deje caer, ni lo arrastre, ni lo apoye en protuberancias.
- La presión de entrada máxima permitida es de 125 psi. Si la presión durante el día es por encima de 80 psi, la presión nocturna podría exceder el máximo. Use una válvula reductora de presión para reducir el flujo si es necesario. (Agregar una válvula reductora de presión podría reducir el flujo.)
- El sistema de descalcificación funciona solamente con 24 voltios-60 Hz. Cerchiórese de usar exclusivamente el transformador incluido. Cerchiórese de que el tomacorriente eléctrico y el transformador están en el interior de un recinto para protegerlos de la humedad.
- Consulte la sección *Dónde instalar el descalcificador* para más detalles.



**ADVERTENCIA:** No use con agua que sea microbiológicamente insegura o de calidad desconocida sin llevar a cabo la desinfección adecuada antes o después del sistema. El agua debe ser probada periódicamente para verificar que el sistema se encuentra funcionando satisfactoriamente.

Partes pequeñas restantes después de la instalación podrían representar un peligro de asfixia.



---

## Planifique cómo instalará el descalcificador

Lo primero que debe decidir es cómo instalar las tuberías entrando y saliendo del descalcificador. Fíjese en la tubería de agua en el punto donde usted conectará el descalcificador. ¿Está la tubería soldada con cobre, pegada con plástico, o roscada galvanizada? ¿Cuál es el tamaño de la tubería?



**ADVERTENCIA:** Use solamente fundente y soldadura sin plomo para todas las conexiones soldadas, prevenir envenenamiento de plomo.

Consulte la *Ilustración de instalación típica*, Fig. 1. Úsela como una guía para planificar su instalación particular. **Cerciérese de dirigir el suministro de agua dura entrante al acoplamiento de admisión de la válvula del descalcificador.** La válvula está marcada **IN (ENTRADA)** y **OUT (SALIDA)**. Vea la ilustración en la página 58 para ayudarle a prepararse:

---

## Dónde instalar el descalcificador

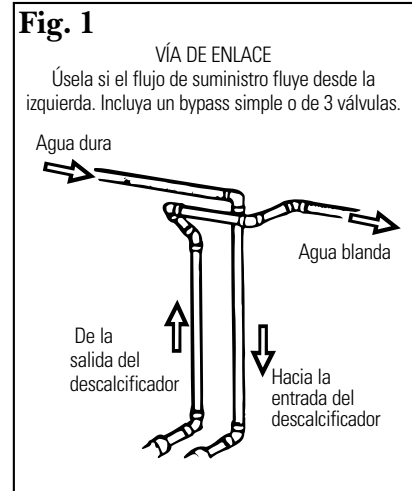
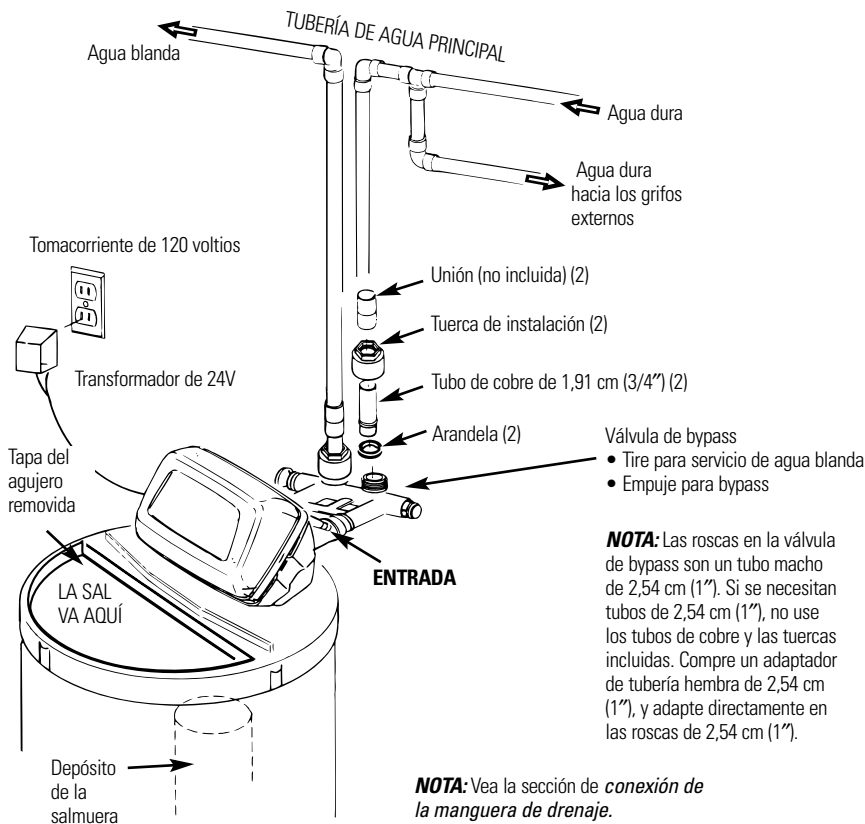
- Coloque el descalcificador lo más cercano posible a un sumidero, o a otro punto de drenaje o columna de suministro.
  - Se recomienda que los grifos externos se dejen con agua dura para así ahorrar agua descalcificada y sal.
  - No instale el descalcificador en un lugar donde se pueda congelar. **Los daños debido al congelamiento no están cubiertos por la garantía.**
  - No instale el descalcificador donde pueda bloquear el acceso al calentador de agua o el acceso a la válvula de cierre principal del agua.
  - Coloque el descalcificador en un lugar donde sea menos probable que ocurra daño causado por el agua si es que eventualmente ocurriese alguna fuga. El fabricante no reparará ni pagará por daños ocasionados por agua.
  - Un tomacorriente de 120 voltios es necesario para conectar el transformador que viene incluido. El descalcificador tiene un cable eléctrico de 10 pies. Si el tomacorriente está colocado demasiado lejos (hasta 100 pies), use un cable calibre 18 para conectarlo. **Cerciérese de que el tomacorriente eléctrico y el transformador están en el interior de un recinto para protegerlos de la humedad.** Cerciérese de que el tomacorriente esté desconectado para prevenir un corte eléctrico accidental.
  - Si se dispone a llevar a cabo la instalación en el exterior, usted debe dar los pasos necesarios para asegurarse de que el descalcificador, la instalación de plomería, el cableado, etc. están también protegidos de los elementos (rayos del sol, lluvia, viento, calor, frío), de la contaminación, vandalismo, etc. tal y como lo estarían si fueran instalados internamente.
  - **Mantenga el descalcificador alejado de los rayos directos del sol.** El calor del sol podría causar distorsión u otros daños a las partes no-metálicas y podría hacer daño a las partes electrónicas.
- 

## Herramientas y materiales necesarios para la instalación

- Los ajustes de entrada y salida incluidos con el descalcificador son tubos de cobre de 1,91 cm (3/4")-nominal. Para mantener llena la válvula de flujo, se recomienda el uso de tubos de 2,54 cm (1") a partir de los ajustes del descalcificador. Como tubo alimentador de agua, usted debe mantener el un tamaño igual o mayor, hacia la entrada y salida del descalcificador.
- Use la válvula de bypass incluida para instalar el descalcificador. La válvula de bypass le permite desconectar el suministro de agua hacia el descalcificador para proporcionarle servicio, pero aún mantiene el agua llegando a las tuberías de la casa. Los ajustes de entrada y salida a que nos referimos anteriormente se conectan a la válvula de bypass con las tuercas y arandelas incluidas.
- Use ajustes y tuberías de cobre, latón o galvanizados. Algunos códigos podrían permitir el uso de tuberías plásticas CPVC.
- Si una manguera adicional es necesaria para el drenaje de la válvula y el tanque de sal, usted la puede solicitar llamándonos al Centro de Respuestas de GE (GE Answer Center®) al 800-626-2000.
- Si necesita una válvula rígida de drenaje para cumplir con los códigos de plomería, podría comprar las partes necesarias para conectar un drenaje de tubería de cobre o plástico de 1,27 cm (1/2").
- Sal del descalcificador en una pepita limpia o bolita de agua es necesaria para llenar el tanque de agua salmuera, consulte las *Instrucciones de Instalación Paso por Paso* en el *Paso 8*.

# Instrucciones de instalación.

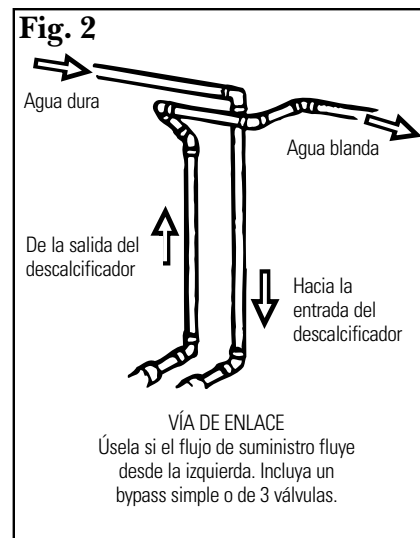
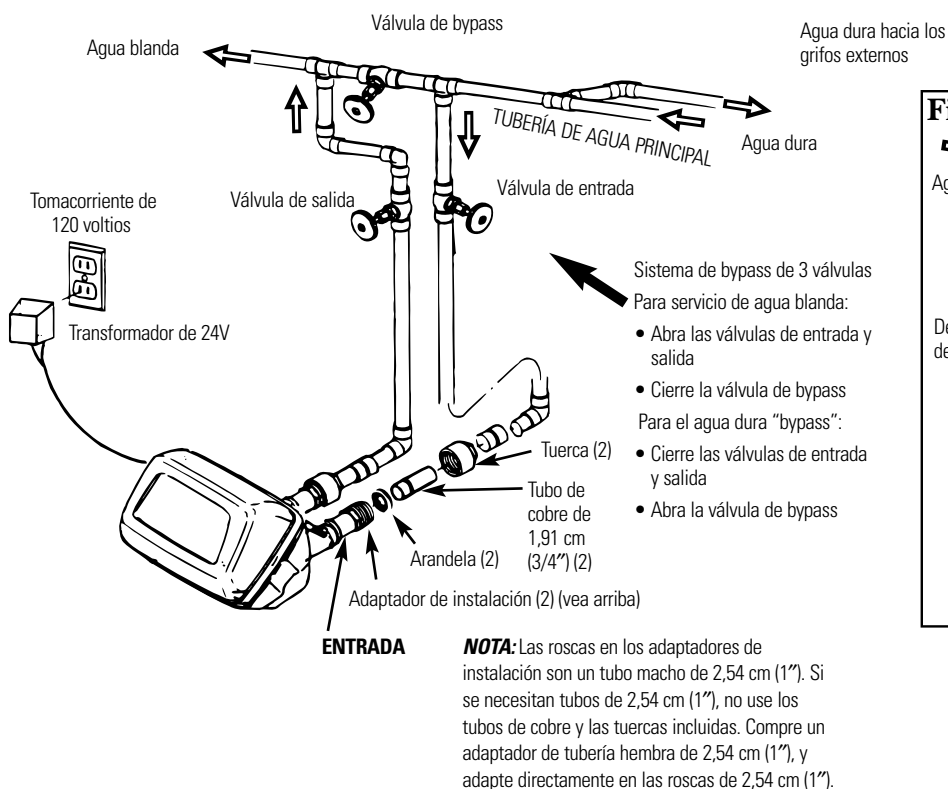
## Ilustración de instalación típica



## Ilustración de la instalación de un bypass de 3 válvulas

Los adaptadores para esta instalación no vienen incluidos con el descalcificador.

Para ordenar estos adaptadores, llame a GE al 800-626-2000. (Solicite la parte # WS60X10006.)



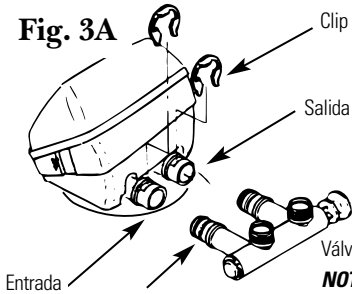
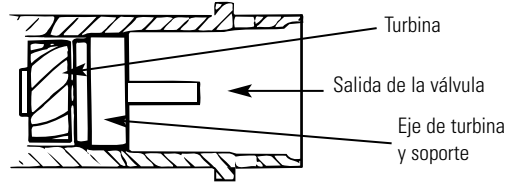
# Instrucciones de instalación paso por paso.

- Suspenda el suministro de gas o de energía eléctrica que alimenta el calentador de agua, en la posibilidad de que el calentador pueda drenarse mientras usted drena las tuberías.
- Desconecte el suministro de agua hacia los tubos que han de ser cortados y drene las tuberías de agua de la casa.
- Abra los grifos de agua caliente y los de agua fría.

## 1. INSTALE LA VÁLVULA DE BYPASS

- Remueva el tapón plástico de embalaje y el alambre de la salida de la válvula.

**NOTA:** Cerciórese de que la turbina y el soporte se encuentren firmes en sus posiciones en la salida de la válvula. Sople hacia la boquilla de la válvula y observe que la turbina se encuentra rotando libremente.



**El sello del aro tórico va en la muesca externa solamente.** El clip engrapa en la muesca interna (vea más adelante).

**NOTA:** Las roscas en la válvula de bypass son un tubo macho de 2,54 cm (1"). Si se necesitan tubos de 2,54 cm (1"), no use los tubos de cobre y las tuercas incluidas. Compre un adaptador de tubería hembra de 2,54 cm (1"), y adapte directamente en las roscas de 2,54 cm (1").

- Empuje la válvula de bypass (lubrique los aros tóricos con grasa de silicona) hacia ambas boquillas de la válvula como se muestra en la Fig. 3A.
- Enganche los dos clips plásticos en sus posiciones, a partir del la parte superior y hacia abajo, como se muestra en las Figs. 3A y 3B. **Cerciórese de engancharlos en sus lugares apropiados. Tire de la válvula de bypass para cerciorarse de que se encuentra sostenida con seguridad en su lugar.**

## 2. MUEVA LA ENSAMBLADURA DEL DESCALCIFICADOR HACIA SU POSICIÓN DE INSTALACIÓN:

- Cerciórese de que la superficie de instalación se encuentra nivelada y lisa. Cualquier objeto cortante debajo del tanque podría causar una hendidura en el mismo. Si es necesario, coloque el tanque sobre una sección de plywood de un grueso máximo de 1,91 cm (3/4"). Luego, coloque cuñas debajo del plywood según sea necesario para nivelar el descalcificador.

## 3. APLOME HACIA DENTRO Y HACIA AFUERA LAS TUBERÍAS HACIA Y DESDE EL DESCALCIFICADOR:

**PRECAUCIÓN:** Siga todas las precauciones siguientes mientras conecta la plomería de entrada y salida. Vea las Figs. 1 y 2.

- **CERCÍERESE DE QUE EL SUMINISTRO DE AGUA DURA DE ENTRADA ESTÁ DIRECTAMENTE CONECTADO A LA BOQUILLA DE ENTRADA DEL DESCALCIFICADOR.** Si el flujo del agua de la casa viene desde la izquierda, use una vía de **enlace de plomería** como se muestra en la Fig. 1.
- Si se dispone a llevar a cabo una instalación con soldadura de cobre, **haga todas las soldaduras antes de conectar los tubos a la válvula de bypass.** El calor de antorcha dañará las partes plásticas.
- Cuando se encuentre girando ajustes de tubería roscados hacia ajustes plásticos, **cerciórese de no cruzar las roscas.**
- Use un compuesto de junta de tuberías en todas las roscas externas.
- Apoye la tubería de entrada y de salida de alguna manera (use colgadores de tubería) **para evitar que el peso sea depositado sobre los ajustes de las válvulas.**

## 4. CONECTE Y HAGA FUNCIONAR LA VÁLVULA DE LA MANGUERA DE DRENAJE:

- Use la válvula de la manguera de drenaje (se ha incluido una de 20 pies) para adherirla al ajuste de la válvula de drenaje del ajuste. Para evitar que la presión del agua expulse la manguera, use una abrazadera de mangueras para asegurarla en su lugar.
- Localice el otro extremo de la manguera en un punto apropiado para drenar (drenaje de piso, sumidero, tina de lavandería, etc.) que termine en el sistema de alcantarillado. **Cerciórese de cumplir con los códigos locales.**

**IMPORTANTE:** Si necesita más manguera de drenaje, ordénela llamando al Departamento de Partes de GE al 800-626-2002. **El descalcificador de agua no funciona si esta agua no escapa por esta manguera durante las regeneraciones.**

- Ate o amarre la manguera en un lugar cercano al punto de drenaje. Una alta presión de agua podría causar que el extremo de la manguera se mueva erráticamente durante los ciclos de lavado regresivo y enjuague rápido de la generación. **También deje una tolerancia de aire de al menos 3,80 cm (1-1/2") entre el extremo de la manguera y el punto de drenaje.** Este espacio previene que ocurra un efecto sifón del agua de alcantarillado hacia el descalcificador, si ocurriese un ciclo de lavado regresivo.
- Si fuera necesario levantar la manguera hasta un nivel superior al descalcificador para llegar hasta el punto de drenaje, **no la eleve por encima de 8 pies del piso.** Elevar la manguera demasiado podría causar una presión negativa que podría reducir la toma del contenido de sal durante las regeneraciones.

Fig. 3B

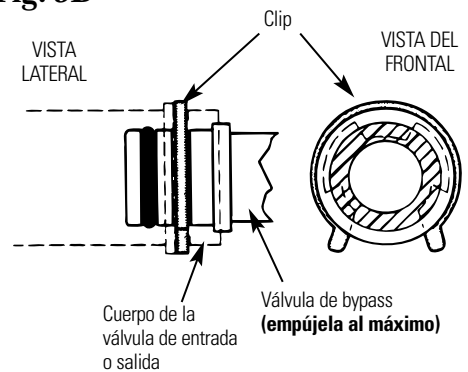


Fig. 3C

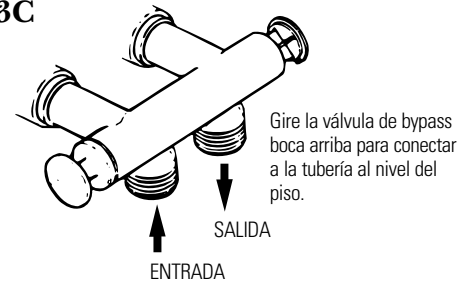
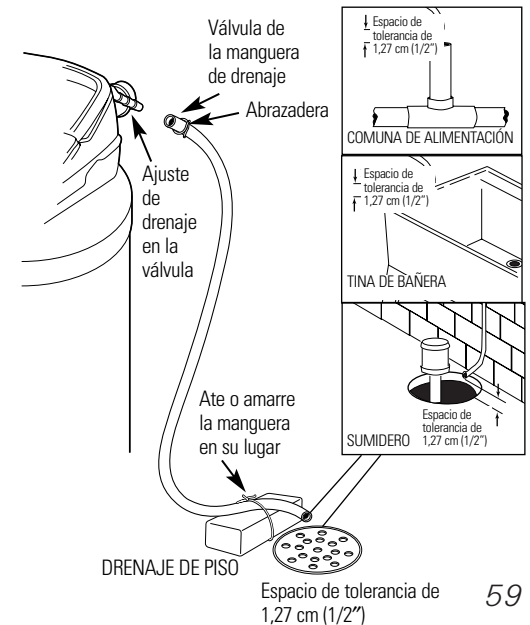


Fig. 4



# Instrucciones de instalación paso por paso.

## 4A. CONECTANDO UN TUBO DE DRENAJE DE VÁLVULA RÍGIDA

• Para adaptar un tubo de drenaje de cobre al descalcificador, use una sierra de arco para cortar el extremo de púa del ajuste de drenaje, tal y como se muestra en la Fig. 4A. Rote el ajuste de drenaje de forma tal que la hoja de corte evite el alojamiento de la válvula para prevenir daños a la válvula. Compre un ajuste de compresión (tubo hembra de rosca de 1/4" x 1/2" de diámetro externo) y los tubos necesarios en una ferretería local.

## 5. INSTALE LOS ACCESORIOS DE SOBREFLUJO DEL TANQUE DE LA SAL Y LA MANGUERA

- Inserte una arandela de goma en el agujero de 3/4" de diámetro en el lado del tanque de la sal como se muestra en la Fig. 5.
- Empuje el extremo del codo adaptador de la manguera hacia la arandela como se muestra en la Fig. 5.
- Adhiera la manguera (use la manguera que sobre del Paso 4) al codo adaptador de la manguera. Use una abrazadera de mangueras para mantenerla firmemente en su lugar.
- Localice el otro extremo de la manguera en el punto de drenaje. **NO ELEVE** esta manguera más allá del codo en el tanque de la sal.

**IMPORTANTE: NO SOBREFLUYA EN T LA MANGUERA HACIA LA VÁLVULA DESDE LA MANGUERA DE DRENAJE.**

**NOTA:** Este drenaje es para seguridad solamente. Si el gabinete (el tanque de la sal) se llena demasiado de agua, el agua excesiva será llevada al drenaje.

## 6. INSTALE LAS ABRAZADERAS DE TIERRA Y LOS CABLES

**⚠ PELIGRO:** No adherir apropiadamente el alambre de tierra podría resultar en una descarga eléctrica.

• Si las tuberías son de metal, **para mantener continuidad de tierra eléctrica en la tubería de agua fría**, instale las abrazaderas de tierra incluidas como se muestra en la Fig. 6. Cerciérese de que los tubos estén limpios bajo el área donde instalará las abrazaderas para garantizar un buen contacto.

## 7. PURGUE LAS TUBERÍAS, SAQUE EL AIRE DEL DESCALCIFICADOR, Y PRUEBE SU INSTALACIÓN EN BÚSQUEDA DE FUGAS DE AGUA.

**⚠ PRECAUCIÓN:** Para evitar daños por la presión de agua o de aire en las partes internas del descalcificador, cerciérese de dar los pasos siguientes en el mismo orden en que se presentan:

- Abra completamente 2 grifos de agua descalcificada fría en grifos cercanos al descalcificador.
- Abra la válvula de bypass en la posición "bypass" empujando el vástago hacia adentro.
- Abra completamente la válvula de cierre de la tubería del agua principal de la casa. Observe un flujo fijo de ambos grifos abiertos en el paso A, más arriba.
- Coloque la válvula de bypass en la posición de "servicio", en la forma EXACTA como le especificamos a continuación. **MANTENGA EL GRIFO DE AGUA DESCALCIFICADA ABIERTO.**  
LENTAMENTE tire o deslice el vástago de la válvula (hacia afuera) hacia la posición "servicio", pausando varias veces para permitir que la presurización del descalcificador comience lentamente.
- Después de unos 3 minutos, abra un grifo de agua CALIENTE por 1 minuto, o hasta que todo el aire haya sido extraído, entonces ciérrelo. **NOTA:** Si parece que el agua está turbia o tiene un sabor salado, permita que el sistema funcione por unos minutos más, o hasta que se aclare el sistema.
- Cierre todos los grifos de agua.
- Inspeccione en búsqueda de fugas en la tubería que se acaba de llevar a cabo y repare inmediatamente si encuentra alguna.  
Cerciérese de observar las notas de precaución anteriores.
- Conecte el suministro de gas o eléctrico hacia el calentador de agua. Encienda el piloto si es aplicable.

## 8. AGREGUE AGUA Y SAL AL TANQUE DE LA SAL:

- Levante la tapa del gabinete o tanque de la sal. Agregue aproximadamente 3 galones de agua al tanque. No lo agregue a la salmuera.
- Llene el tanque con sal de PEPITAS, BOLITAS o SAL GRUESA SOLAR con una pureza de 99,5 % o mayor. **No use** sal en roca, en bloques, granulada, ni de helado (para descongelar hielo), **ni sal con aditivos que remueven el hierro** (excepto la marca Diamond Crystal® Red-Out®). La capacidad de almacenamiento de sal es de aproximadamente 200 libras. Mantenga la tapa del agujero de la sal en su lugar sobre el descalcificador, a no ser que se encuentre proporcionándole servicios de mantenimiento o llenándolo con sal.

**NOTA:** Si el descalcificador es instalado en un sótano húmedo o en un área demasiado húmeda, es mejor **llenar el tanque con menos sal, y hacerlo más frecuentemente**. De 80 a 100 libras de sal durarán varios meses, dependiendo de la dureza del agua, el tamaño de la familia, y el modelo del sistema de descalcificación.

## 9. CONECTE EL SUMINISTRO ELÉCTRICO

- Si el cableado del transformador no está visible en la parte posterior de la cabeza de control, remueva la cubierta de control. **NO TIRE NI DESCONECTE NINGÚN CABLE.** Localice el alambre largo con conectores en forma de "U" en un extremo. Pase este alambre a través de la parte posterior del alojamiento de control. Reemplace la cubierta de control.
- Apriete las 2 agarraderas del cable (los conectores en forma de "U") a los 2 tornillos en el transformador, y apriételes. Luego, conecte el transformador a un tomacorriente.
- El descalcificador funciona con suministro energético de 24 voltios-60 Hz. El transformador incluido cambia de 120 voltios AC, normal en las residencias, a 24 voltios. **Conecte el transformador en un tomacorriente de 120 voltios solamente.** Cerciérese de que el tomacorriente siempre tenga suministro energético, y que no vaya a ser desconectado accidentalmente.

## 10. programe el control: • Consulte la Sección de Programación del Control.

Fig. 4A

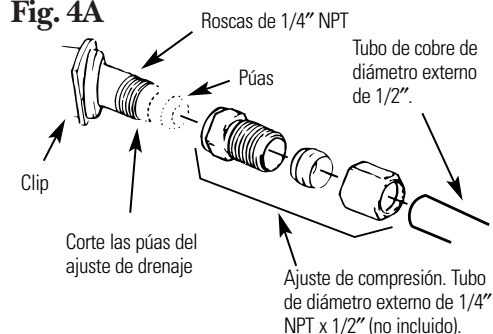


Fig. 5

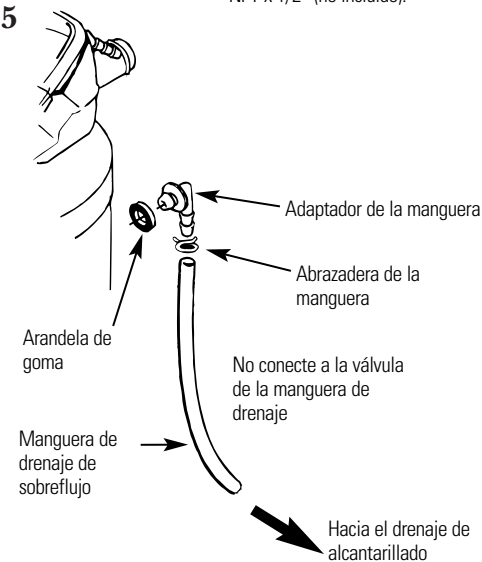
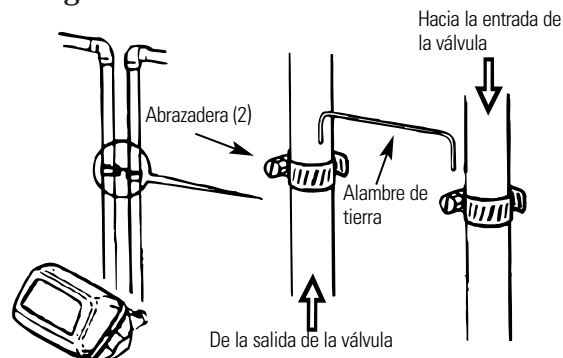






Fig. 6



## Programación del Control

**AJUSTES DE CONTROL SON NECESARIOS** después de la instalación y después de una suspensión prolongada en el suministro eléctrico.

### NOTAS:

- CUANDO EL TRANSFORMADOR ES CONECTADO EN EL TOMACORRIENTE (vea el Paso 9), 12:00 aparecerá parpadeando y PRESENT TIME (Tiempo Presente) se mostrará en el área de visualización. Programe el control según las instrucciones a continuación. Si SR está parpadeando, use el botón UP (+)  para ajustar el código SR apropiado de la siguiente forma siguiente: **SR35** para GNSF35, **SR31** para GXSF39, o **SR22** para GXSF27. Si usted pasa por el código correcto, use el botón DOWN (-) . Luego oprima el botón SELECT (seleccionar) y programe el control.
- Un “bip” sonará mientras usted oprime los botones para la programación del control. Un bip significa un cambio en la pantalla de control. Bips repetidos significan que el control no acepta un cambio del botón que usted ha oprimido, y que usted debe oprimir otro botón.
- Para programar el control, usted usará los botones UP (+) , DOWN (-)  y SELECT.

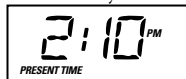
### AJUSTE LA HORA DEL DÍA





**NOTA:** Si las palabras PRESENT TIME (Tiempo presente) no se muestran en la pantalla, oprima el botón SELECT hasta que aparezca.

1. Oprima el botón UP (+)  o DOWN (-)  para ajustar. El botón UP mueve la visualización hacia adelante; el botón DOWN la mueve hacia atrás.

Si la hora actual es entre el medio día y la media noche, cerciórese de que PM está siendo visualizado



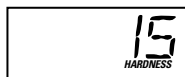
**NOTA:** Cada vez que usted oprime los botones UP (+)  o DOWN (-) , el tiempo cambiará en un minuto. Sosteniendo uno de los botones oprimido hará que la hora cambie 32 minutos cada segundo.

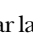

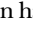
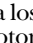


2. Cuando se muestra la hora actual, oprima SELECT para ajustar. Si la hora actual está entre la media noche y el medio día, cerciórese de que AM está siendo visualizado.

### AJUSTE EL NÚMERO DE DUREZA DEL AGUA

**NOTA:** Si el número 15 y HARDNESS (Dureza), (por defecto de factoría) no se muestran en la pantalla, oprima SELECT hasta que aparezcan.



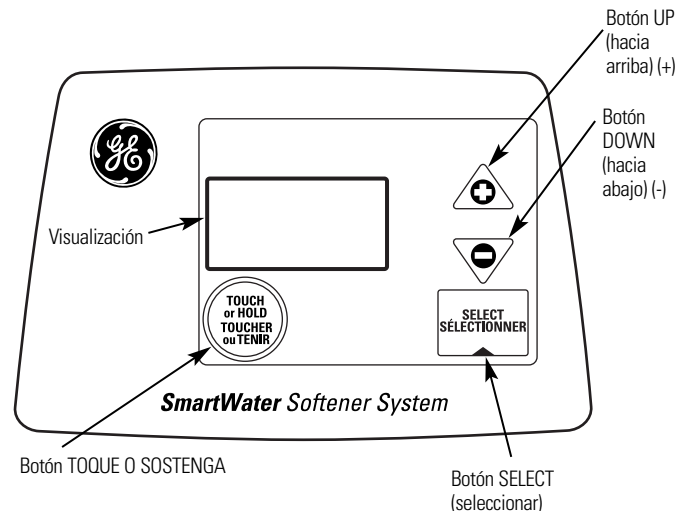
1. Oprima los botones UP (+)  o DOWN (-)  para ajustar la dureza del agua en la pantalla. DOWN (-)  mueve la visualización hacia 1. UP (+)  la mueve hacia el ajuste máximo.

**NOTA:** Cada vez que usted oprime un botón, la visualización cambia un número entre 1 y 25. Por encima de 25, la visualización cambia los números de 5 en 5 (25, 30, 35, etc.). Sosteniendo uno de los botones oprimido hará que la hora cambie dos veces cada segundo.

2. Cuando el número de la dureza del agua sea mostrado, oprima SELECT para ajustarlo.

**NOTA:** Si hay hierro de agua clara en su suministro de agua, usted necesitará aumentar el ajuste de la dureza en 5 por cada 1 ppm de hierro de agua clara en su suministro de agua.


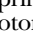
Usted puede obtener la dureza de granos por galón (gpg) de su suministro de agua de un laboratorio de análisis de agua, o llamando su departamento de agua local. Si usted se encuentra en un suministro municipal, llámenos al Centro de Respuestas de GE (GE Answer Center®) para solicitar un kit de prueba de agua. Si su informe muestra dureza en partes por millones (ppm), simplemente divida por 17.1 para obtener el número equivalente de granos por galón.



### AJUSTE DEL TIEMPO (DE INICIO) DE REGENERACIÓN

**NOTA:** TIEMPO DE RECARGO y 2:00 AM intermitentes (por defecto de factoría) deberán aparecer en la pantalla. Esta es una buena oportunidad para que la regeneración comience (termina como en 2 horas) en la mayoría de las casas, porque el agua no está en uso. EL AGUA DURA es circundada hacia los grifos durante la regeneración.

**Si no es necesario ningún cambio, siga al paso 2.** Para cambiar el tiempo de inicio de la regeneración, siga el paso 1.

1. Oprima los botones UP (+)  o DOWN (-)  para ajustar la hora de inicio de la regeneración deseada.

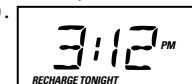
**NOTA:** Cada vez que usted oprima los botones el tiempo cambia por 1 hora. Sosteniendo los botones oprimidos cambiará el tiempo dos veces cada segundo.

2. Oprima el botón SELECT una vez más.

Cerciórese de observar AM o PM, como lo hizo cuando ajustó la hora del día.



La pantalla muestra la hora actual del día y RECHARGE TONIGHT (Recargar esta noche).



# Instrucciones de instalación paso por paso.

## Procedimientos de desinfección

Para completar la instalación, siga los procedimientos de desinfección siguientes.

En la fábrica se es cuidadoso para mantener el descalcificador de agua limpio y desinfectado. Los materiales usados para construir el descalcificador no contaminarán ni infectarán su suministro de agua ni causarán que se forme o crezca bacteria. Sin embargo, durante el envío, el almacenamiento, la instalación y la operación, algún tipo de bacteria podría penetrar el descalcificador. Por esta razón, el siguiente proceso de desinfección se sugiere después de la instalación.

**NOTA:** La desinfección es recomendada por la Asociación de Calidad del Agua.

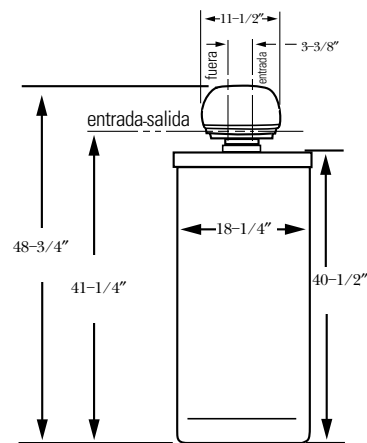
- 1 Cerciórese de completar todos los pasos de instalación, incluyendo la programación de sincronización.
- 2 Vacíe 3/4 de onza aproximadamente de cloro casero 5,25 % (Clorox, Linco, Bo Peep, White Sail, Eagle, etc.) en la **salmuera**. Consulte la ilustración en la página 58.
- 3 **IMPORTANTE:** Oprima y sostenga oprimido por 3 segundos el botón **TOUCH/HOLD (toque/sostenga)** para comenzar una regeneración inmediata. **Recharge Now** (recargue ahora) aparecerá intermitente en la pantalla. El cloro es llevado hacia y a través del descalcificador de agua.
- 4 Si después de la desinfección, el agua de alguno de los grifos de la casa tiene un sabor salado o tiene un color ligero, esto es un preservativo del tanque de resina. Abra los grifos de agua fría descalcificada por unos minutos hasta que el agua se aclare.

**NOTA:** Cuando la regeneración anterior termina, el suministro de agua **FRIA** de su casa está completamente descalcificada inmediatamente. Sin embargo, su calentador de agua está lleno de agua dura y a medida que el agua caliente vaya siendo usada, el calentador se llenará con agua descalcificada. Cuando toda el agua dura sea reemplazada en el calentador de agua, el agua caliente y el agua mezclada caliente y fría, estarán completamente descalcificadas. Si usted desea agua descalcificada inmediatamente, después de la regeneración anterior, drene agua del calentador hasta que el agua salga fría.

**⚠ ADVERTENCIA:** Si usted drene el calentador de agua, tenga cuidado extremo, ya que el agua caliente lo podría quemar. Apague el calentador de agua antes de proceder con el drenaje.

## ESPECIFICACIONES/DIMENSIONES

	GXSF27	GNSF35	GXSF39
Capacidad considerada*	(vea etiqueta de consideración de la scc para descalcificadores de agua)		
Cantidad de capacidad de resina alta (lbs/cu. pies)	36,4/,7	48,4/,93	52,5/1
Tamaño nominal del tanque de resina (pulg. diam x altura)	8 x 40	9 x 40	9 x 40
Ritmo de flujo de servicio (gpm)	(ver etiqueta de consideración para descalcificadores de agua)		
Dureza máxima del suministro de agua (gpg)	100	100	100
Dureza máxima de suministro de agua (ppm)**	5	6	8
Límites de presión de agua (mín - máx. psi)	20-125	20-125	20-125
Caída de presión al ritmo de flujo de servicio (psig)	15	15	15
Temperatura máxima del agua (°F)	120	120	120
Ritmo de flujo máximo del suministro de agua (pgm)	3	3	3
Ritmos de flujo del ciclo de regeneración (gpm)			
Llenar (flujo al tanque de la sal)	,3	,3	,3
Salando	,19	,20	,20
Enjuagado lavado	,12	,16	,16
Lavado regresivo	1,8	2,0	2,0
Enjuagado rápido	1,8	2,0	2,0



Estos sistemas se conforman a WQA S-100 para los reclamos de capacidad específica verificados y substanciados por menos datos.

\* La prueba fue llevada a cabo usando bolitas grado cloro de sodio como sal regeneradora.

\*\* La cantidad de hierro removido puede variar según las condiciones. Use Diamond Crystal® Red-Out® o Super Iron Out®, lo que mejorará la removida del hierro. Consulte la sección *Limpieza del Hierro del Agua*.

# Acerca del sistema de descalcificación de agua.

---

## **Servicio**

Cuando el sistema descalcificador de agua está proporcionando agua descalcificada, a esto se le llama “Servicio”. Durante el servicio, el agua dura fluye desde la tubería de agua principal de la casa hacia el sistema de Descalcificación de agua. En el interior del tanque del sistema de Descalcificación de agua hay una película o capa compuesta de miles de resinas plásticas diminutas. Cuando el agua dura pasa a través de la capa, cada diminuta resina atrapa los minerales duros. A esto se le llama intercambio de iones. Es como un imán atrayendo y atrapando metales. Entonces, el agua sin minerales duros (agua descalcificada o agua blanda) fluye hacia la casa desde el sistema de descalcificación.

Después de un período de tiempo, la capa de resina se obstruye o se satura con los minerales duros y debe ser limpiada. Esta limpieza es llamada regeneración, o recargado. La regeneración comienza a las 2:00 AM (ajuste por defecto) por el control del sistema de descalcificación de agua, y consiste en cinco etapas o ciclos. Ellas son **FILL (llenado)**, **BRINING (proceso de salado)**, **BRINE RINSE (enjuague de agua salada)**, **BACKWASH (lavado regresivo)** y **FAST RINSE (lavado rápido)**.

---

## **Circunvalación automática del agua dura durante la regeneración**

En casos de emergencia, el agua dura está disponible hacia la casa durante los ciclos de regeneración.

**Sin embargo, usted debe evitar usar agua CALIENTE porque el calentador de agua se llenará con agua dura.**

---

## **Llenado**

El agua disuelta en agua es llamada salmuera. La salmuera es necesaria para limpiar los minerales duros de las diminutas partículas de resina. Para formar la salmuera, el agua fluye hacia el interior del tanque de sal durante el período de llenado.

## **Proceso de salado**

Durante el proceso de salado, la salmuera se desplaza del área del tanque de almacenamiento de la sal hacia el tanque de la resina. La salmuera es el agente de limpieza necesario para remover los minerales duros de la capa de resina. Los minerales duros y la salmuera son descargados hacia el alcantarillado.

La boquilla y el Venturi crean una succión para mover la salmuera, manteniendo un ritmo muy bajo para obtener la resina de limpieza con la menor cantidad de sal.

## **Enjuague de agua salada**

Después de que una cantidad de salmuera premedida es usada, la válvula de salmuera se cierra. El agua continúa fluyendo en la misma trayectoria que durante el proceso de salado, excepto por el flujo de salmuera discontinuado. Los minerales duros y la salmuera fluyen del tanque de resina hacia el alcantarillado.

## **Lavado regresivo**

Durante el lavado regresivo, el agua viaja **Hacia Arriba** a través del tanque de resina a un flujo de ritmo rápido, purgando el hierro acumulado, el sucio, y los sedimentos desde la capa de resina hacia el alcantarillado.

## **Enjuague rápido**

El lavado regresivo es seguido por un flujo de agua rápido **Hacia Abajo** durante el tanque de resina. El flujo rápido purga la salmuera del fondo del tanque, y rellena el tanque de resina.

A continuación del enjuague rápido, el sistema de descalcificación de agua regresa al servicio de agua descalcificada.

## Acerca del sistema de descalcificación de agua.

### Rotura de un puente de sal

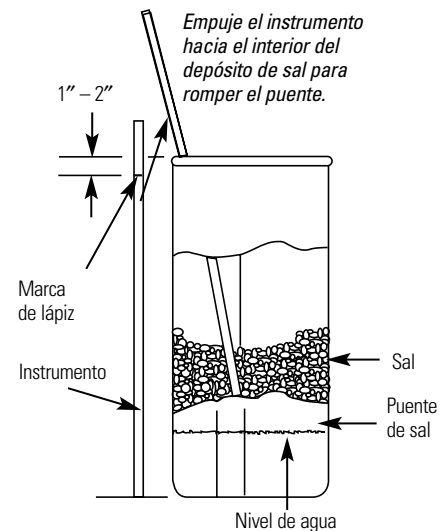
A veces, una capa dura de sal o puente de sal se forma en el área de almacenamiento de la sal. Esto generalmente se debe a la humedad alta o al uso de algún tipo de sal equivocada. Cuando la sal forma un puente, un espacio vacío se forma entre el agua y la sal. Entonces la sal no se disuelve en el agua para hacer la salmuera.

Si el tanque de la sal está lleno de sal, es difícil saber si existe o no un puente de sal. La sal está floja en la parte superior, pero el puente está por debajo. A continuación, la forma más efectiva de inspeccionar si existe la formación de un puente de sal.

La sal debe estar floja desde arriba hasta el fondo del tanque. Tome un palo de escoba o algo parecido, y con cuidado, empujelo hacia el interior del depósito de sal, introduciéndolo y sacándolo. Si el instrumento golpea un objeto duro (cerciórese de que lo que golpea no es el fondo o las paredes laterales del tanque), es posible que exista un puente de sal. Con cuidado rompa el puente con el instrumento.

**No golpee** las paredes del tanque.

Si el tipo de sal equivocada es usado para hacer la salmuera, sáquela. Entonces llene el tanque con la sal apropiada. En áreas húmedas, es mejor llenar el depósito con menos sal, y hacerlo más a menudo.



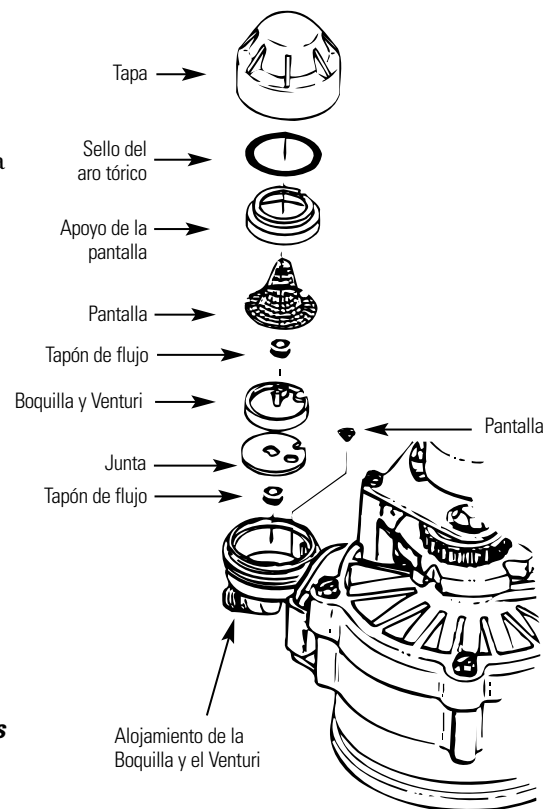
### Limpiando la ensambladura de la boquilla y el Venturi

**Es necesario que la boquilla y el Venturi estén limpios para que el sistema de descalcificación de agua funcione apropiadamente.** Esta pequeña unidad ejecuta la succión para mover la salmuera del área de almacenamiento de sal hacia el tanque de resina durante la regeneración. Si está atascada con sal, sucia, etc., el sistema de descalcificación de agua no funcionará y usted solamente tendrá agua dura.

Para lograr acceso a la boquilla y al Venturi, remueva la tapa superior del sistema de descalcificación de agua. Cerciórese de que el sistema de descalcificación de agua está en ciclo de servicio (que no haya presión de agua en la boquilla y el Venturi). Luego, mientras sostiene el alojamiento de la boquilla y el Venturi, remueva la tapa. Levante el apoyo de la pantalla, luego la boquilla y el Venturi. Lave y enjuague las partes en agua cálida hasta que estén limpias. Si es necesario, use un cepillo pequeño para remover el hierro o el sucio. También inspeccione y limpie la junta.

**NOTA:** Algunos modelos tienen un pequeño tapón de flujo localizado en la boquilla y el Venturi, y/o una pequeña pantalla en forma de cono en el alojamiento. Cerciórese de inspeccionar y limpiar estas partes, si su modelo está equipado con ellos.

Con cuidado reemplace todas las partes en el orden correcto. Lubrique ligeramente el sello del aro tórico con una grasa de silicona o con vaselina y coloque en su posición. **Instale y apriete la tapa con sus manos solamente. No apriete la tapa demasiado.**




**IMPORTANTE:** Cerciórese de que los agujeros pequeños en la junta estén centrados directamente sobre los pequeños agujeros en el alojamiento de la boquilla y el Venturi.

\*Instale con el lado que contiene números hacia arriba y el lado cóncavo hacia abajo.



---

## Operación normal, pantalla de control

Durante la operación normal, la hora actual del día y AM o PM se muestra en el área de la pantalla de control. Cuando la computadora de demanda determina que una regeneración es necesaria, el mensaje **RECHARGE TONIGHT (recargue esta noche)** comienza a parpadear en la pantalla con la hora actual. **RECHARGE TONIGHT (recargue esta noche)**  parpadea hasta el momento de inicio de la próxima regeneración, cuando cambiará a **RECHARGE NOW (recargue ahora)**, lo cual parpadeará hasta que la regeneración termine.

---

## Característica: Controles opcionales de recargado

A veces, es posible que usted desee o necesita una generación iniciada manualmente (recarga). *Dos ejemplos:*

- Usted ha usado más agua que de costumbre (huéspedes en la casa, lavado adicional, etc.) y usted quizás se quede sin agua descalcificada antes de la próxima generación.
- Usted no rellenó el tanque de almacenamiento con sal.

Use una de las características siguientes para comenzar una regeneración inmediatamente, o en el próximo inicio de regeneración preajustada.

**RECHARGE TONIGHT (recargue esta noche)** 

Oprima (no sostenga oprimido) el botón de **TOUCH/HOLD (toque/sostenga)**. **RECHARGE TONIGHT (recargue esta noche)** comienza a parpadear en el área de la pantalla de control. Una regeneración ocurrirá en el próximo inicio de regeneración preajustada. Si usted decide cancelar esta regeneración, toque el mismo botón una vez más.

**RECHARGE NOW (recargue ahora)** 

Oprima y sostenga oprimido el botón de **TOUCH (toque) o HOLD (sostenga)** hasta que **RECHARGE NOW (recargue ahora)** comience a parpadear en la pantalla de control. El sistema de descalcificación de agua comienza una regeneración inmediata y, cuando termine en unas dos horas, usted tendrá un nuevo suministro de agua descalcificada. Una vez haya iniciado, usted no puede cancelar la regeneración.

---

## Característica: Memoria del programa

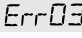
Si el suministro eléctrico del sistema de descalcificación de agua es interrumpido, la pantalla de control estará en blanco, pero el control mantiene la hora correcta por seis horas aproximadamente. Cuando el suministro es restaurado, usted tendrá que reajustar el tiempo presente solamente si la visualización está parpadeando. Todos los otros ajustes se mantienen y nunca requieren ser ajustados a no ser que usted desee hacer algún cambio.

Si la hora está intermitente después de una interrupción prolongada en el suministro eléctrico, el sistema de descalcificación de agua continúa trabajando como debería para proporcionarle agua descalcificada. Sin embargo, las regeneraciones podrían ocurrir en el momento del día equivocado hasta que usted reajuste el control a la hora correcta del día.

---

## Característica/Servicio: Diagnósticos electrónicos automáticos

La computadora de control tiene una función de diagnóstico automático del sistema eléctrico (excepto para la energía de entrada y el medidor de agua). La computadora monitorea que los componentes electrónicos y circuitos funcionen correctamente. Si ocurre un mal funcionamiento, el código de error aparece en la pantalla de control.

La tabla en *Códigos de Error*  muestra los códigos de errores que podrían aparecer y las razones posibles para cada código. Mientras un código de error es mostrado, todos los botones de control dejan de operar, excepto el botón de **SELECT (Seleccione)**. **SELECT (Seleccione)** permanece en operación para que el técnico pueda hacer los *Diagnósticos electrónicos iniciados manualmente* y aislar más el defecto e inspeccionar el medidor de agua.

# Acerca del sistema de descalcificación de agua.

## Servicio: Características y servicio del tiempo de demanda electrónico

CÓDIGO DE ERROR VISUALIZADO	ERR 01	ERR 02	ERR 03	ERR 04	ERR 05
<b>POSIBLE DEFECTO</b>	<ul style="list-style-type: none"> <li>• el motor no funciona</li> <li>• problemas en el cableado o en la conexión hacia el interruptor</li> <li>• interruptor de posición</li> <li>• control (PWA)</li> </ul>	<ul style="list-style-type: none"> <li>• interruptor de posición</li> <li>• control (PWA)</li> </ul>	<ul style="list-style-type: none"> <li>• motor no funciona o problemas en el cableado</li> <li>• control (PWA)</li> </ul>	<ul style="list-style-type: none"> <li>• interruptor de posición o problemas en el cableado</li> <li>• control (PWA)</li> </ul>	<ul style="list-style-type: none"> <li>• control (PWA)</li> </ul>

**Para remover un código de error:** (1) Desconecte el transformador.  
 (2) Corrija el problema.  
 (3) Conecte otra vez el transformador.  
 (4) Espere por lo menos 6 minutos. El código de error regresará si la razón del código de error no ha sido corregida.

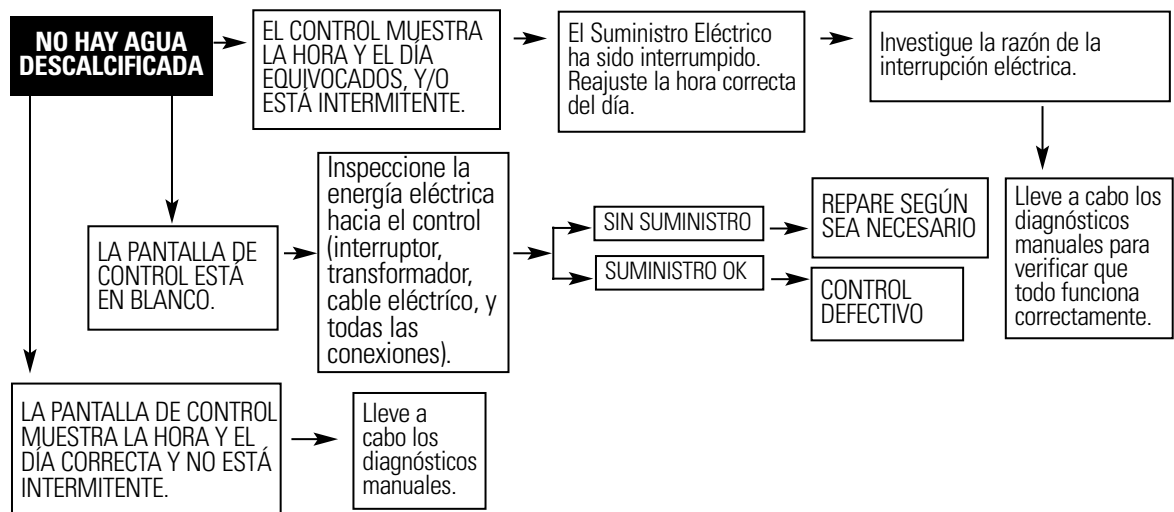
## Servicio: Sincronizador/Descalcificador, procedimiento de inspección de servicio

Si usted no está recibiendo agua descalcificada, y un código de error no es presentado, use el siguiente procedimiento para encontrar la fuente del problema. Primero realice las siguientes inspecciones visuales.

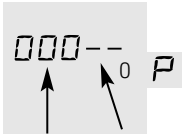
### INSPECCIONES VISUALES:

- 1 ¿Hay energía eléctrica entrando hacia el tomacorriente en el cual el transformador del sistema de descalcificación de agua está conectado?
- 2 ¿Hay suficiente sal en el tanque de almacenamiento? El tanque debe estar lleno de 1/3 a 1/2 de sal.
- 3 ¿Está la válvula de bypass de descalcificación dirigiendo el agua para el servicio de descalcificación?
- 4 ¿Está la válvula de la manguera de drenaje abierta hacia el drenaje, a no más de 8 pies del descalcificador, y no tiene ninguna obstrucción?

Si usted no encuentra el problema con la inspección visual, continúe más adelante.



Interruptores de turbinas



Medidor de agua (A) Interruptor (B)

## Servicio: Diagnóstico electrónico iniciado manualmente

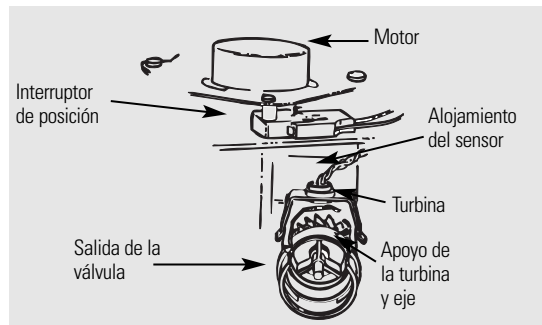
**1** Para entrar diagnósticos, oprima y sostenga oprimido el botón **SELECT (seleccionar)** hasta que se muestre (000--) en la pantalla.

**A** Los primeros tres dígitos indican la operación del medidor de agua de la forma siguiente:

■ 000 (no intermitente) = agua descalcificada no en uso...no hay flujo a través del medidor.

— **ABRA UN GRIFO DE AGUA DESCALCIFICADA QUE ESTÉ CERCA** —

■ 000 hasta 199 (continuo) = repite la visualización para cada galón de agua que pase a través del medidor.



Si usted no recibe una lectura en la pantalla, con el grifo abierto, tire del sensor desde el puerto de salida de la válvula. Pase un pequeño imán hacia atrás y hacia adelante enfrente del sensor. Usted debe recibir una lectura en la pantalla. Si recibe una lectura, desconecte el suministro de agua, desconecte la tubería de entrada y salida e inspeccione la turbina en búsqueda de agarrotamiento.

**B** La letra P y los guiones indican la POSICIÓN del interruptor de operación. Si la letra aparece significa que el interruptor está cerrado; si los guiones aparecen, significa que el interruptor está abierto. Use el botón de **TOUCH/HOLD (toque/sostenga) (RECHARGE TONIGHT – RECHARGE NOW) (Recargue esta noche – Recargue ahora)** para avanzar manualmente la válvula hacia cada ciclo e inspeccione la correcta operación de cada interruptor.

EL INTERRUPTOR CORRECTO MUESTRA	ESTADO DEL CICLO DE LA VÁLVULA
— —	Posición de válvula en servicio, llenado, proceso de salado, lavado regresivo o enjuague rápido.
— P	La válvula está rotando de una posición a la otra.

**C** Mientras esté en la pantalla de diagnóstico, la siguiente información está disponible y podría ser beneficiosa por varias razones. Esta información es retenida por la computadora la primera vez que la energía eléctrica es proporcionada al control.

- Oprima y sostenga oprimido el botón UP (hacia arriba) para visualizar el número de días que el control ha tenido la energía eléctrica aplicada.
- Oprima y sostenga oprimido el botón DOWN (hacia abajo) para visualizar el número de regeneraciones iniciadas por este control desde que el número de código SR fue entrado.

SR17

**2** Oprima el botón **SELECT (seleccionar)** y sosténgalo oprimido por tres segundos hasta que el código de ritmo de Servicio aparezca en la pantalla. Repita este paso si el código de **SR** no es visualizado.

**Para que el sistema de descalcificación de agua opere correctamente, el número SR debe ser siguiente:**

GXS27	SR22
GXS39	SR31
GNSF35	SR35

**Para reajustar el código**, presione el botón de UP (hacia arriba) o DOWN (hacia abajo) hasta que los números correctos sean mostrados.

**3** Presione **SELECT (Seleccionar)** para regresar a la pantalla de tiempo presente. **Si el código fue cambiado, haga TODOS los ajustes del sincronizador.**

**NOTA:** Si el control es dejado en una visualización de diagnóstico o en una pantalla intermitente cuando los ajustes de tiempo o la dureza, el tiempo presente regresa automáticamente si un botón no es oprimido dentro de cuatro minutos.

# Acerca del sistema de descalcificación de agua.

## Servicio: Inspección manual del avance de la regeneración

Esta inspección verifica la operación apropiada del motor de la válvula, del llenado del tanque de la salmuera, extracción de la salmuera, ritmos de flujo de regeneración y otras funciones del controlador. Primero, lleve a cabo las inspecciones iniciales y el *Diagnostico electrónico iniciado manualmente*.

**NOTA:** La pantalla de control debe mostrar el tiempo de manera estable (no intermitente).

**1** Presione el botón **TOUCH (toque) o HOLD (sostenga)** por tres segundos. **RECHARGE NOW (recargue ahora)** comienza a parpadear mientras el sistema de descalcificación de agua entra el ciclo de llenado de regeneración. Remueva la cubierta del depósito de la salmuera y, usando una linterna, observe el agua de llenado entrando hacia el tanque de la salmuera. Si no hay agua entrando al tanque, busque una boquilla obstruida, el Venturi, el tapón de flujo de llenado, o la tubería de la salmuera. Consulte la sección para el *Cuidado y Limpieza del Sistema de Descalcificación de Agua*.

**2** Después de observar el llenado, presione el botón **TOUCH (toque) o HOLD (sostenga)** para mover el Sistema de descalcificación de agua hacia el proceso de salado. Un flujo lento de agua hacia el drenaje debe comenzar. Verifique que la extracción de la salmuera del tanque de la salmuera alumbrando con una linterna hacia el depósito de la salmuera y observando un goteo evidente en el nivel de líquido durante un período de tiempo extenso.

**NOTA:** Cerciórese de que no es un puente de sal el que está evitando el contacto con la sal. Consulte la sección de *Cuidado y Limpieza del Sistema de Descalcificación de Agua*.

Si el sistema de descalcificación de agua no extrae salmuera, inspeccione:

- Que la boquilla y/o el Venturi no estén sucios o defectuosos.
- Que no exista un sello de la boquilla y/o el Venturi dañado.
- Que la boquilla y/o el Venturi no estén bien asentados en la junta.
- Otro defecto de la válvula interna (sello del rotor, rotor y disco, arandela de onda, etc).
- Que no exista un drenaje restringido (inspeccione los ajustes del drenaje y la manguera).

**NOTA:** Si la presión del sistema de agua es baja, una manguera elevada podría causar presión regresiva, evitando la extracción de la salmuera.

**3** De nuevo, el botón **TOUCH (toque) o HOLD (sostenga)** para mover el sistema de descalcificación de agua hacia el lavado regresivo. Busque un flujo rápido de agua de la manguera de drenaje. Un flujo lento indica que hay un distribuidor superior obstruido, un tapón de flujo de lavado regresivo, o la manguera de drenaje.

**4** Presione el botón **TOUCH (toque) o HOLD (sostenga)** para mover el sistema de descalcificación de agua hacia enjuague rápido. De nuevo, busque un flujo rápido. Permita que el sistema de descalcificación de agua enjuague por unos minutos para purgar cualquier salmuera que haya quedado en el tanque de resina durante la prueba del ciclo del proceso de salado.

**5** Para regresar el sistema de descalcificación de agua a servicio, presione el botón **TOUCH (toque) o HOLD (sostenga)**.

## Cuidado y limpieza del sistema de descalcificación de agua.

### Inspeccione el nivel de almacenamiento de la sal y el relleno

Se necesita salmuera (sal disuelta en agua) para cada regeneración. El agua para hacer la salmuera es medida cuando entra al área de almacenamiento de la sal a través de la válvula del sistema de descalcificación de agua y el control. **Sin embargo, usted debe mantener el suministro del tanque con sal.**

**Cuándo rellenar con sal:** Inspeccione el nivel de la sal unas semanas después de hacer la instalación del sistema de descalcificación de agua y cada semana después. Rellene cuando el tanque de la salmuera está de 1/3 a 1/2 lleno. En áreas húmedas es mejor llenar con menos sal y hacerlo más frecuentemente. Nunca permita que el sistema de descalcificación de agua use toda la sal antes de usted relleno. Sin sal, pronto tendrá agua dura.

Use sales de sistemas de descalcificación de agua solamente, por lo menos 99,5% puras. Recomendamos PEPITAS, BOLITAS o SAL GRUESA SOLAR. **No use sal en roca, en bloques, granulada, ni de helado (para descongelar hielo).** Ellas contienen suciedad y sedimentos, o pasta y torta, y crearán problemas de mantenimiento.

**⚠ PRECAUCIÓN: Sal descalcificadora de agua con aditivos que remueven el hierro:** Algunas sales podrían tener aditivos para ayudar el sistema de descalcificación de agua con el hierro en el suministro de agua. Aunque este aditivo puede ayudar a mantener limpio el sistema de descalcificación de agua, el mismo también puede crear gases corrosivos que debilitan y acortan la vida de las partes del sistema de descalcificación de agua. GE solamente recomienda el uso de la marca de sal Diamond Crystal® Red-Out.®

### Cómo limpiar el hierro de su sistema de descalcificación de agua

Su sistema de descalcificación de agua toma la dureza de los materiales (calcio y magnesio) y la extrae del agua. También, puede controlar una cantidad considerable del hierro del "agua clara" (Vea la sección de *Directrices de Especificaciones*). Con hierro de agua clara, el agua de un grifo es clara cuando se coloca en un vaso al principio. De 15 a 30 minutos más tarde, el agua comienza a ponerse turbia o a cambiar a un color rojo ladrillo. Un sistema de descalcificación de agua **no remueve** el hierro que causa que el agua se torne turbia o que adquiere el color rojo ladrillo cuando sale del grifo (llamada agua rojo ladrillo). Para extraer el hierro de esta agua se requiere un filtro u otro equipo.

GE recomienda que se usen las marcas de sal Diamond Crystal® Red-Out® con aditivo Iron Fighter® para ayudar a mantener la capa de resina limpia del hierro. Si su suministro de agua tiene hierro de agua clara, es necesario que usted limpie periódicamente la capa de resina. GE recomienda usar un limpiador de capas de resina Super Iron Out®, para limpiar así eficientemente dicha capa, especialmente cuando el contenido de hierro es alto. Limpie la capa por lo menos cada seis meses, o más a menudo si comienza a aparecer hierro en su agua descalcificada entre limpieza y limpieza.

**IMPORTANTE:** Es importante mezclar el limpiador de la capa de resina con agua (siga las instrucciones del fabricante) y vaciarlo en el **tubo de depósito de la salmuera** (vea página 58) y proceda a regenerar el descalcificador inmediatamente. No vierta el limpiador de la capa de resina con la sal, ya que no será tan eficiente en su función de limpieza de la resina, y puede causar daños al descalcificador si se deja en el tanque de la sal por un período de tiempo prolongado debido a que gases corrosivos se formarían.

## Antes de llamar para solicitar servicio...



Consejos para la identificación y solución de averías

¡Ahorre tiempo y dinero! Revise la tabla en esta página primero y quizás no tenga que llamar para solicitar servicio.

### **NO HAY AGUA DESCALCIFICADA – Problemas más comunes:**

*Inspeccione lo siguiente antes de llamar para solicitar servicio*

- Nivel de sal en el descalcificador no hay suficiente. El tanque debe estar lleno hasta por lo menos 1/3.
- La válvula de bypass se está en la posición de “Bypass”—debe estar en la posición “Servicio.” La palanca debe estar en la posición OUT (fuera).
- Los ajustes de la dureza demasiado bajo—Inspeccione los ajustes de la dureza en el control. Verifique la dureza del suministro de agua. La dureza del agua puede variar durante el año. Vea la sección Programación del Control.
- Un puente de sal, donde el agua no está en contacto con la sal (vea la sección Rotura de un Puente de Sal.)

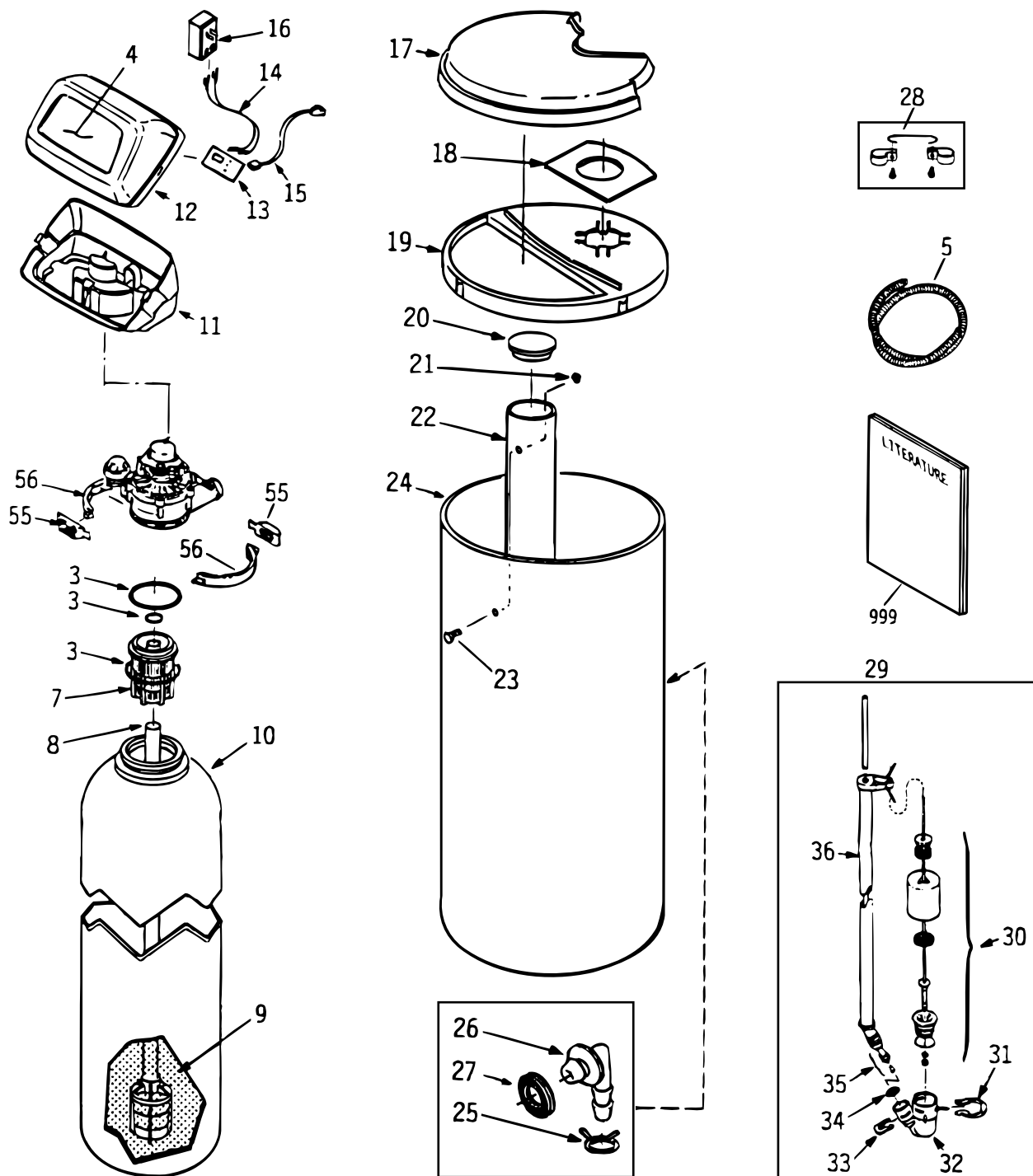
<b>Problema</b>	<b>Posible causa</b>	<b>Qué hacer</b>
<b>No hay agua descalcificada</b>	<p>El grifo o el accesorio donde la muestra fue tomada no está conectado al sistema de agua descalcificada.</p> <p><b>NOTA:</b> Cerciórese de que la muestra no es tomada de un grifo que mezcla agua descalcificada con agua dura. Por ejemplo, un grifo de una sola palanca de la cocina, si la tubería del agua fría de ese grifo está conectada al agua dura.</p>	<ul style="list-style-type: none"> <li>• Para conservar sal, el instalador puede que haya aislado algunos grifos (grifos fuera de la casa, inodoros, etc.) del sistema de descalcificación. A partir de la salida del sistema de descalcificación de agua, rastree la trayectoria de la tubería de la casa. Si el agua descalcificada no está conectada directamente a un grifo o accesorio donde a usted le gustaría que estuviera conectado, póngase en contacto con un plomero.</li> </ul>
	<p>No hay sal en el tanque de almacenamiento o existe un puente de sal en el tanque de almacenamiento</p>	<ul style="list-style-type: none"> <li>• Inspeccione el tanque por un puente de sal, o si el tanque está vacío, llene otra vez el tanque con sal. Oprima (por tres segundos) el botón <b>TOUCH/HOLD (toque/sostenga)</b> para dar inicio a la regeneración y restaurar el suministro de agua blanda.</li> </ul>
	<p>El transformador está desconectado en el tomacorriente de la pared, o el cable del descalcificador no está conectado. Un fusible está fundido o se desconectó en el circuito eléctrico hacia el tomacorriente. El tomacorriente está en un circuito que no puede ser desconectado.</p>	<ul style="list-style-type: none"> <li>• Inspeccione para cerciorarse de que no ha habido una interrupción energética hacia el descalcificador de agua debido a algunas de estas condiciones y corrija según sea necesario. Una vez restaurada la energía, observe la visualización en la cara del plato y lea la Sección sobre la Memoria del Programa.</li> <li><b>NOTA:</b> El tomacorriente para el interruptor del descalcificador debe estar constantemente conectado para que no pueda ser desconectado accidentalmente.</li> </ul>
	<p>La válvula de bypass manual está en la posición de bypass.</p>	<ul style="list-style-type: none"> <li>• Cerciórese de que la palanca de la válvula de bypass se encuentra en la posición correcta, con el botón en la posición OUT (afuera). Observe las instrucciones en la etiqueta en el extremo de la palanca.</li> </ul>
	<p>La válvula de la manguera de drenaje está atascada, obstruida, elevada a una posición demasiado alta u obstruida de alguna forma.</p>	<ul style="list-style-type: none"> <li>• Cualquier restricción en esta manguera de drenaje puede prevenir la operación apropiada de la boquilla y el Venturi y reducir o evitar la toma de la salmuera durante las regeneraciones.</li> </ul>
	<p>La boquilla y el Venturi están sucios, ensamblados incorrectamente o dañados.</p>	<ul style="list-style-type: none"> <li>• Consulte las instrucciones para <i>Limpiar la Boquilla y el Venturi</i>. Con la presión del agua desconectada del sistema de descalcificación de agua, desarme la ensambladura de la boquilla. Inspecciónela, límpiela y reemplace cualquier parte según sea necesario. Cualquier partícula extraña, ralladura, muesca, etc., en los pasajes pueden impedir la operación.: Cerciórese de que los agujeros pequeños en la junta estén centrados directamente sobre los pequeños agujeros en el alojamiento.</li> </ul>

## Antes de llamar para solicitar servicio...

<i>Problema</i>	<i>Posible causa</i>	<i>Qué hacer</i>
<b>A veces el agua está dura</b>	Usar agua caliente mientras el descalcificador de agua está en el proceso de regeneración	<ul style="list-style-type: none"> <li>Evite usar agua caliente mientras el descalcificador de agua está en el proceso de regeneración porque el calentador de agua se rellenará con agua dura. Consulte la Sección de <i>Circunvalación del Agua Dura Automática durante la Regeneración</i>.</li> </ul>
	Los niveles del número de dureza del control están muy bajos.	<ul style="list-style-type: none"> <li>Presione y libere el botón <b>SET</b> hasta que <b>HARDNESS</b> aparezca en la pantalla. Asegúrese de que el número que aparece es el mismo que los granos reales por dureza en un galón de su suministro de agua. Consulte la sección <i>Control</i> si se necesita un cambio en los niveles.</li> </ul>
	Los granos de dureza en su agua han aumentado	<ul style="list-style-type: none"> <li>La dureza del agua puede cambiar con el paso del tiempo, especialmente cuando se trata de agua de pozo. Para inspeccionar, hágale una prueba al agua en un laboratorio de análisis o llame a su Departamento local de Agua. Ajuste el sincronizador según sea necesario. Consulte la Tabla de Regeneración.</li> </ul>
<b>El agua se siente resbalosa después de la instalación del sistema de descalcificación de agua.</b>	Ausencia de dureza de materiales	<ul style="list-style-type: none"> <li>Esto es normal.</li> </ul>
<b>El sistema de descalcificación de agua no está usando ninguna sal</b>	El sistema de descalcificación de agua es una unidad de “demanda”	<ul style="list-style-type: none"> <li>No usa tanta sal para regenerarse, es muy eficiente.</li> </ul>
	Posible puente de sal	<ul style="list-style-type: none"> <li>Consulte la Sección de <i>Consejos para las Instrucciones de Operación</i>.</li> </ul>
	Boquilla o Venturi posiblemente obstruidos	<ul style="list-style-type: none"> <li>Consulte la Sección de <i>Consejos para las Instrucciones de Operación</i>.</li> </ul>
<b>El agua tiene un color azul después de que el sistema de descalcificación de agua fue instalado</b>	Agua ácida en tuberías de cobre	<ul style="list-style-type: none"> <li>Inmediatamente solicite que se le haga una prueba al agua.</li> </ul> <p><b>⚠ ADVERTENCIA: NO tome de esa agua hasta que el problema haya sido corregido.</b></p>
<b>El sistema de descalcificación de agua no está regenerando</b>	La turbina del medidor está atascada	<ul style="list-style-type: none"> <li>Llame y solicite servicio.</li> </ul>
	El cable del sensor está corroído	<ul style="list-style-type: none"> <li>Llame y solicite servicio.</li> </ul>
	No hay energía eléctrica en la unidad	<ul style="list-style-type: none"> <li>Inspeccione el interruptor de circuito o los fusibles.</li> </ul>
	Defecto mecánico	<ul style="list-style-type: none"> <li>Llame y solicite servicio.</li> </ul>
<b>Agua turbia en la cristalería (en los lavaplatos automáticos)</b>	Combinación de agua descalcificada y demasiado detergente	<ul style="list-style-type: none"> <li>A esto se le llama <i>grabado de agua fuerte</i> y es permanente. Para evitar que esto suceda, use menos detergente si usted tiene agua descalcificada. Lave la cristalería en el ciclo más corto que los pueda limpiar.</li> </ul>
<b>Agua sabe a sal después de la instalación</b>	Insuficiente lavado regresivo y enjuagado.	<ul style="list-style-type: none"> <li>Oprima y sostenga oprimido el botón <b>TOUCH/HOLD (toque/sostenga)</b> hasta que <b>RECHARGE (recargar)</b> se vuelva intermitente para iniciar una regeneración.</li> <li>Después de que el ciclo de regeneración haya sido completado (aproximadamente 2 horas), haga circular agua a través de los grifos para purgar el agua salada.</li> </ul>
	Baja presión del agua	<ul style="list-style-type: none"> <li>Inspeccione la presión; debe estar a un mínimo de 20 psi.</li> </ul>
	Manguera de drenaje restringida	<ul style="list-style-type: none"> <li>Limpie y reconecte la manguera.</li> </ul>

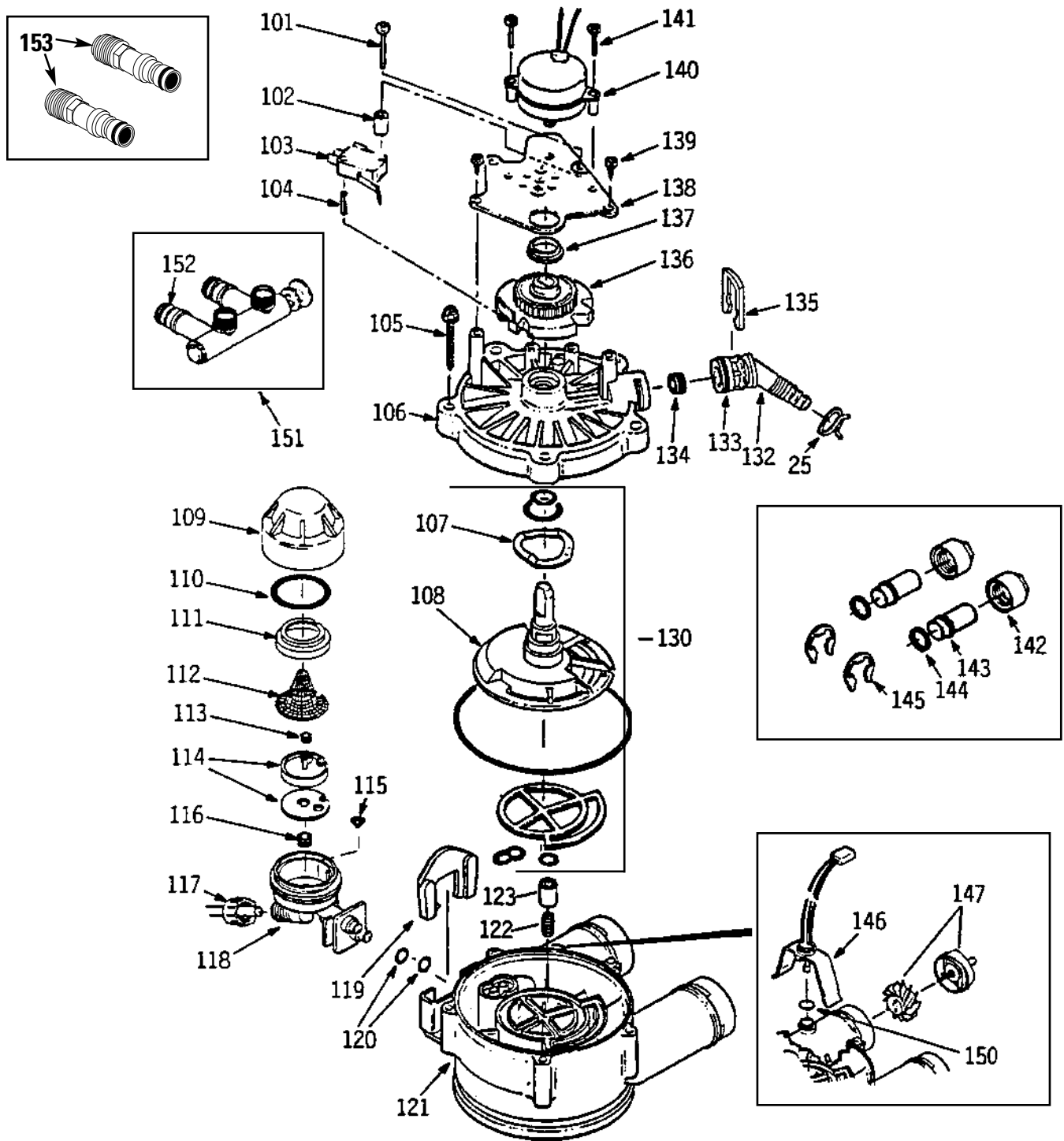
<b>Problema</b>	<b>Posible causa</b>	<b>Qué hacer</b>
<b>Las partículas de resina aparecen en el agua potable y en los lavamanos</b>	Distribuidor agrietado	<ul style="list-style-type: none"> <li>• Llame para solicitar servicio.</li> </ul>
<b>Un sonido que usted puede escuchar</b>	Agua circulando desde la unidad hacia el drenaje	<ul style="list-style-type: none"> <li>• Esto es normal</li> </ul>
<b>El agua tiene burbujas de agua y está turbia</b>	Se introdujo aire en el sistema después de la instalación	<ul style="list-style-type: none"> <li>• Esto desaparecerá después de haber funcionado un tiempo.</li> </ul>
<b>Un error de código en el control</b>	El cableado podría haberse aflojado en el control	<ul style="list-style-type: none"> <li>• Desconecte el transformador.</li> <li>• Remueva la tapa del control, libere los clips en los lados.</li> <li>• Inspeccione en búsqueda de conexiones de alambres o tableros electrónicos o interruptores que puedan estar flojos. Reconéctelos si es necesario.</li> <li>• Reensamble la tapa del control.</li> <li>• Conecte el transformador.</li> <li>• Espere seis minutos para que el error de código desaparezca.</li> <li>• Si el error de código no desaparece, llame para solicitar servicio.</li> </ul>

# Lista de partes.





# Lista de partes.



# Catálogo de partes.

## CATÁLOGO DE PARTES DE GENERAL ELECTRIC

NO. REFER	NO. DE PARTE	DESCRIPCIÓN	GXSE27	GNSF35	GXSE39
0003	WS35X10001	KIT DEL SELLO DEL ARO TÓRICO	1	1	1
0004	WS34X10013	ETIQUETA	-	-	1
	WS34X10011	ETIQUETA	-	1	-
	WS34X10012	ETIQUETA	1	-	-
0005	WS07X10004	MANGUERA DE DRENAJE, 20 PIES	1	1	1
0007	WS14X10002	TAPA DEL DISTRIBUIDOR	1	1	1
0008	WS14X10001	FONDO DEL DISTRIBUIDOR	1	1	1
0009	WS01X10002	RESINA, 1 PIE CÚBICO	1	1	1
0010	WS32X10001	TANQUE DE RESINA	1	-	-
	WS32X10011	TANQUE DE RESINA	-	1	1
0011	WS31X10001	TAPA DEL FONDO	1	1	1
0012	WS31X10002	TAPA DEL CONTROL	1	1	1
0013	WS21X10006	CONTROL	-	1	-
	WS21X10011	CONTROL	1	-	1
0014	WS19X10003	CABLEADO	1	1	1
0015	WS06X10003	CABLE DEL SUMINISTRO ELÉCTRICO	1	1	1
0016	WS26X10001	TRANSFORMADOR	1	1	1
0017	WS31X10010	CUBIERTA DEL AGUJERO DE LA SAL	1	1	1
0018	WS33X10001	BARRERA DEL VAPOR DE LA SAL	1	1	1
0019	WS33X10002	MONTURA	1	1	1
0020	WS31X10003	CUBIERTA DEL DEPÓSITO DE LA SALMUERA	1	1	1
0021	WS02X10009	TUERCA DE ALA, _" -20	1	1	1
0022	WS32X10002	TANQUE DEL DEPÓSITO DE LA SALMUERA, REDONDO	1	1	1
0023	WS02X10011	TORNILLO, _" -20 DE NILÓN	1	1	1
0024	WS32X10003	TANQUE DE LA SALMUERA, REDONDO	1	1	1
0025	WS18X10003	ABRAZADERA DE LA MANGUERA	1	1	1
0026	WS22X10016	ADAPTADOR DE LA MANGUERA	1	1	1
0027	WS22X10017	ARANDELA DE GOMA	1	1	1
0028	WS35X10002	KIT DE LAS ABRAZADERAS PARA CONEXIÓN A TIERRA	1	1	1
0029	WS15X10005	ENSAMBLADURA DE LA VÁLVULA DE LA SALMUERA	1	1	1
0030	WS35X10003	ENSAMBLADURA DE LA FLOTA, PALANCA & LA GUÍA	1	1	1
0031	WS03X10006	CLIP	1	1	1
0032	WS15X10006	CUERPO DE LA VÁLVULA DE LA SALMUERA	1	1	1
0033	WS03X10007	CLIP	1	1	1
0034	WS03X10008	PANTALLA	1	1	1
0035	WS07X10002	ENSAMBLADURA DE LA TUBERÍA	1	1	1
0036	WS07X10003	TUBERÍA DE LA SALMUERA	1	1	1
0055	WS28X10003	ABRAZADERA RETENEDORA	2	2	2
0056	WS28X10004	ABRAZADERA	2	2	2
0999	49-50061	MANUAL PM DEL USO, MAJEJO E INSTALACIÓN	1	1	1

# Catálogo de partes.

## CATÁLOGO DE PARTES DE GENERAL ELECTRIC

NO. REFER	NO. DE PARTE	DESCRIPCIÓN	GXSFP27	GNSF35	GXSFP39
0025	WS18X10003	ABRAZADERA DE LA MANGUERA	1	1	1
0101	WS02X10012	TORNILLO, #4 - 24 X 1-1/8"	1	1	1
0102	WS02X10013	ESPACIADOR	1	1	1
0103	WS21X10003	INTERRUPTOR	1	1	1
0104	WS03X10009	PASADOR DE EXPANSIÓN	1	1	1
0105	WS02X10014	TORNILLO, #10 - 14 X 2"	5	5	5
0106	WS31X10006	CUBIERTA DE LA VÁLVULA	1	1	1
0107	WS03X10010	ARANDELA DE ONDA	1	1	1
0108	WS26X10002	ROTOR Y DISCO	1	1	1
0109	WS19X10004	TAPA	1	1	1
0110	WS03X10011	SELLO DE ARO TÓRICO 1.1" X 1.4"	1	1	1
0111	WS19X10005	PANTALLA DE APOYO	1	1	1
0112	WS03X10013	PANTALLA	1	1	1
0113	WS22X10020	TAPÓN DE FLUJO, .1 GPM	1	1	1
0114	WS08X10005	JUNTA, BOQUILLA/VENTURI	1	1	1
0115	WS03X10015	PANTALLA CÓNICA	1	1	1
0116	WS22X10021	TAPÓN, FLUJO DE LLENADO, .3 GPM	1	1	1
0117	WS03X10017	TUERCA CONTERA	1	1	1
0118	WS15X10009	ENSAMBLADURA DE LA BOQUILLA/VENTURI	1	1	1
0119	WS03X10018	RETENEDORA	1	1	1
0120	WS03X10019	SELLO DE ARO TÓRICO 1/4" X 3/8"	2	2	2
0121	WS15X10010	CUERPO DE LA VÁLVULA	1	1	1
0122	WS03X10020	RESORTE	1	1	1
0123	WS22X10022	TAPÓN DEL DRENAJE DE LA SAL	1	1	1
0130	WS35X10005	KIT DEL SELLO	1	1	1
0132	WS22X10023	ADAPTADOR DE LA MANGUERA DE DRENAJE	1	1	1
0133	WS03X10021	ARO TÓRICO 5/8" X 13/16"	1	1	1
0134	WS03X10022	TAPÓN DE FLUJO, CONTROL DE ENJUAGUE	1	1	1
0135	WS03X10023	CLIP	1	1	1
0136	WS26X10003	LEVA & ENGRANAJE	1	1	1
0137	WS26X10004	RODAMIENTO	1	1	1
0138	WS26X10005	PLATO DEL MOTOR	1	1	1
0139	WS02X10015	TORNILLO, #6 - 20 X 3/8"	2	2	2
0140	WS26X10006	ENSAMBLADURA DEL MOTOR	1	1	1
0141	WS02X10016	TORNILLO, #6 - 20 X 7/8"	2	2	2
0142	WS60X10001	TUERCA DE INSTALACIÓN	2	2	2
0143	WS60X10002	TUBO DE INSTALACIÓN	2	2	2
0144	WS60X10003	ARANDELA	2	2	2
0145	WS60X10004	CLIP	2	2	2
0146	WS28X10005	SENSOR DEL ALOJAMIENTO	1	1	1
0147	WS19X10006	ENSAMBLADURA DE LA TURBINA YAPOYO	1	1	1
0150	WS03X10024	SELLO, ARO TÓRICO	1	1	1
0151	WS15X10012	ENSAMBLADURA DE LA VÁLVULA DE BYPASS	1	1	1
0152	WS03X10025	SELLO, ARO TÓRICO	2	2	2
0153	WS60X10006	ADAPTADOR	2	2	2

**\*NOTA:** Los Códigos en el Estado de Massachusetts requieren que la instalación sea ejecutada por un plomero licenciado y no permite el uso de la válvula de montura. Para la instalación use el Código de Plomería 248 CMR del Estado de Massachusetts.

# Garantía GE para el Sistema de Descalcificación de Agua



Todos los servicios de garantía son proporcionados por nuestros Centros de Servicio de Factoría, o un técnico autorizado de Servicio al Cliente. Para servicio, llame a 800-GE-CARES

<b>Por el período de:</b>	<b>Nosotros remplazaremos:</b>
<b>Un año</b> A partir de la fecha de la compra original	<b>Cualquier parte</b> del Sistema de descalcificación de agua que falle debido a defectos de materiales o en la fabricación. Durante un período de <b>un año completo de la garantía</b> , GE también le proporcionará, <b>de manera gratuita</b> , toda la mano de obra y servicios en su casa para remplazar partes defectuosas.
<b>Tres años</b> A partir de la fecha de la compra original	<b>El monitor electrónico</b> , si el mismo falla debido a defectos de materiales o en la fabricación. <b>Durante un período de tres años de garantía limitada</b> , usted será responsable por cualquier mano de obra o costos de servicio en su casa.
<b>Diez años</b> A partir de la fecha de la compra original	<b>Un gabinete de reposición (el tanque de la salmuera), o un tanque de resina</b> , si cualquiera de los dos falla debido a defectos de materiales o en la fabricación. Durante un período de <b>diez años de garantía limitada</b> , usted será responsable por cualquier mano de obra o costos de servicio en su casa.

## Lo que no está cubierto:

- Viajes de servicio a su casa para enseñarle cómo usar el producto.
- Instalación inapropiada.
- Fallas del producto debido a abuso, o uso del producto indebido, o para usos comerciales.
- Filtros, membranas o baterías.
- Reemplazo de los fusibles de la casa o reajustes de los circuitos de interrupción.
- Daño del producto causado por accidentes, incendios, inundaciones o incidentes de fuerza mayor.
- Daño incidental o consecuencial causada por defectos posibles de este electrodoméstico.

Esta garantía es extendida al comprador original y a cualquier propietario posterior del producto comprado para uso en el hogar dentro de EE.UU. En Alaska, la garantía excluye el costo de envío o los servicios de llamada a la casa.

Algunos estados no permiten la exclusión o la limitación de daños incidentales o consecuenciales. Esta garantía le da a usted derechos legales específicos, y quizás usted tenga otros derechos, los que variarán de estado a estado. Para saber cuáles son sus derechos legales, consulte a una oficina de asuntos del consumidor local o estatal o a póngase en contacto con la oficina del Procurador General del estado (Attorney General).

**Garante: General Electric Company. Louisville, KY 40225**





## Números Telefónicos de Servicio.

---



### *GE Answer Center® (Centro de repuestas GE) 800-626-2000*

---

El Centro de Respuestas GE está abierto 24 horas al día, 7 días a la semana.

**0**

Visítenos en la Internet al: [www.geappliances.com](http://www.geappliances.com)



### *Para Servicios de Reparación en el Hogar 800-432-2737*

---

El servicio experto de GE se encuentra apenas a una simple llamada de distancia.



### *Servicios de Necesidades Especiales 800-626-2000*

---

**800-TDD-GEAC (800-833-4322)**

GE ofrece, gratuitamente, un folleto para asistir en la planificación de cocinas libres de barreras para personas con movilidad limitada.



### *Contratos de Servicio 800-626-2224*

---

Compre un contrato de servicio de GE mientras su garantía todavía está en efecto y recibirá un descuento substancial. El departamento de Servicios al Consumidor GE estará disponible después de la fecha de expiración de la garantía.



### *Partes y Accesorios 800-626-2002*

---

Aquellos individuos que sepan cómo dar servicio a sus propios electrodomésticos pueden solicitar que se les envíen partes o accesorios en sus casas (Aceptamos Visa, MasterCard y Discover).

**Las instrucciones contenidas en este manual cubren los procedimientos a ser llevados a cabo por cualquier usuario. Otro tipo servicio debe ser llevado a cabo por personal de servicio calificado. Sea precavido, ya que hacer reparaciones inapropiadas podría resultar en operación insegura.**



### *Satisfacción de Servicio*

---

Si usted no está satisfecho con el servicio recibido por GE:

**Primero**, póngase en contacto con el personal que dio servicio a su electrodoméstico.

**Segundo**, si aún usted no está satisfecho, escriba todos los detalles—incluyendo su número de teléfono—a: Manager, Customer Relations, GE Appliances, Appliance Park, Louisville, KY 40225.

## Service Telephone Numbers.

---



### *GE Answer Center® In the U.S.: 800-626-2000*

---

The GE Answer Center® is open 24 hours a day, 7 days a week.

**In Canada**, contact: Manager, Consumer Relations, Camco Inc., 1 Factory Lane, Suite 310, Moncton, N.B., E1C 9M3.

**OR**

Visit our Website at: [www.geappliances.com](http://www.geappliances.com)



### *In-Home Repair Service In the U.S.: 800-432-2737*

---

Expert GE repair service is only a phone call away.

**In Canada**, call toll free 1-866-777-7627.



### *Special Needs Service In the U.S.: 800-626-2000*

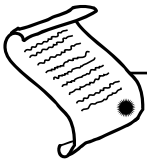
---

GE offers, free of charge, a brochure to assist in planning a barrier-free kitchen for persons with limited mobility.

**In the U.S.**, call 800-TDD-GEAC (800-833-4322).

**In Canada**, contact:

Manager, Consumer Relations, Camco Inc., 1 Factory Lane, Suite 310, Moncton, N.B., E1C 9M3.



### *Service Contracts In the U.S.: 800-626-2224*

---

Purchase a GE service contract while your warranty is still in effect and you'll receive a substantial discount. GE Consumer Service will still be there after your warranty expires.

**In Canada**, call 1-800-461-3636.



### *Parts and Accessories In the U.S.: 800-626-2002*

---

Individuals qualified to service their own appliances can have parts or accessories sent directly to their homes (VISA, MasterCard and Discover cards are accepted).

**Instructions contained in this manual cover procedures to be performed by any user. Other servicing generally should be referred to qualified service personnel. Caution must be exercised, since improper servicing may cause unsafe operation.**

**In Canada**, please consult your yellow pages for your local Camco number.



### *Service Satisfaction*

---

If you are not satisfied with the service you receive from GE:

**First**, contact the people who serviced your appliance.

**Next**, if you are still not pleased, **in the U.S.**, write all the details—including your phone number—to:

Manager, Customer Relations, GE Appliances, Appliance Park, Louisville, KY 40225; or,

**in Canada**, to Director, Consumer Relations, Camco Inc., 1 Factory Lane, Suite 310, Moncton, N.B., E1C 9M3.