

# Installation Instructions

## 30" French Door Built-in Wall Ovens

Questions? Call us at 1.800.432.2737 or visit [GEAppliances.com](http://GEAppliances.com).  
In Canada, call 1.800.561.3344 or visit [GEAppliances.ca](http://GEAppliances.ca).

### BEFORE YOU BEGIN

Read these instructions completely and carefully.

- **IMPORTANT** — Save these instructions for local inspector's use.
- **IMPORTANT** — Observe all governing codes and ordinances.
- **Note to Installer** – Be sure to leave these instructions with Consumer.
- **Note to Consumer** – Keep these instructions for future reference.
- **Skill level** – Installation of this appliance requires a qualified installer or electrician.
- Proper installation is the responsibility of the installer.
- Product failure due to improper installation is not covered under Warranty.
- Product is for indoor use only.

**ATTENTION INSTALLER:** All electric wall ovens must be hard-wired (direct-wired) into an approved junction box. A plug and receptacle is NOT permitted on these products.

### FOR YOUR SAFETY:

#### ⚠ WARNING

Before beginning the installation, switch power off at the service panel and lock the service disconnecting means to prevent power from being switched on accidentally. When the service disconnecting means cannot be locked, securely fasten a prominent warning device, such as a tag, to the service panel.

Be sure the oven is securely installed in a cabinet that is firmly attached to the house structure. Weight on the oven door could cause the oven to tip and result in injury. Never allow anyone to climb, sit, stand or hang on the oven door.

Make sure the wall coverings, counters and cabinets around the oven can withstand the heat (up to 200°F [93.3°C]) generated by the oven.

### MATERIALS YOU MAY NEED

Junction Box  
Wire Nuts  
Strain Relief Clamp for 1/2" Conduit

### TOOLS YOU MAY NEED

1/8" Drill Bit and Electric or Hand Drill  
3/16" hex key  
Phillips Screwdriver  
Safety Glasses  
1/8" hex key  
Wire Strippers  
Gloves

## 1 REMOVE PACKAGING MATERIALS

Failure to remove packaging materials could result in damage to the appliance. Remove all packing parts from oven, racks and heating elements. Remove protective film and labels on the outer door and control panel. Also, remove plastic on trims and panel, all tape around the oven and any shipping screws securing the oven to the base pad. Open oven door and remove literature pack and oven racks. Remove the bottom trim from the top of the oven. It will be installed at the end of the installation process. The trim is wrapped separately and taped to the top of the unit.

## DESIGN INFORMATION

### FRENCH DOOR SINGLE OVEN INSTALLATIONS

The French Door single oven may be installed in a cabinet alone, above a warming drawer, below a Microwave/Advantium, and/or under a countertop or cooktop. However, the French Door single oven is not allowed to be installed flush to the front surface of the cabinet.

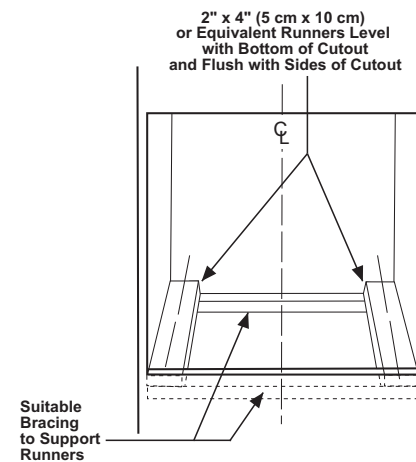
**IMPORTANT:** Always refer to individual installation instructions packed with each product for specific requirements.

## 2 PREPARE THE OPENING

**NOTE:** If the cabinet does not have a solid bottom, two braces or runners must be installed to support the weight of the oven. For French Door ovens, the runners and braces must support 220 lbs (98.8 kg).

**NOTE:** If marks, blemishes or the cutout opening are visible above the installed oven, it may be necessary to add wood shims under the runners and front trim until the marks or opening are covered.

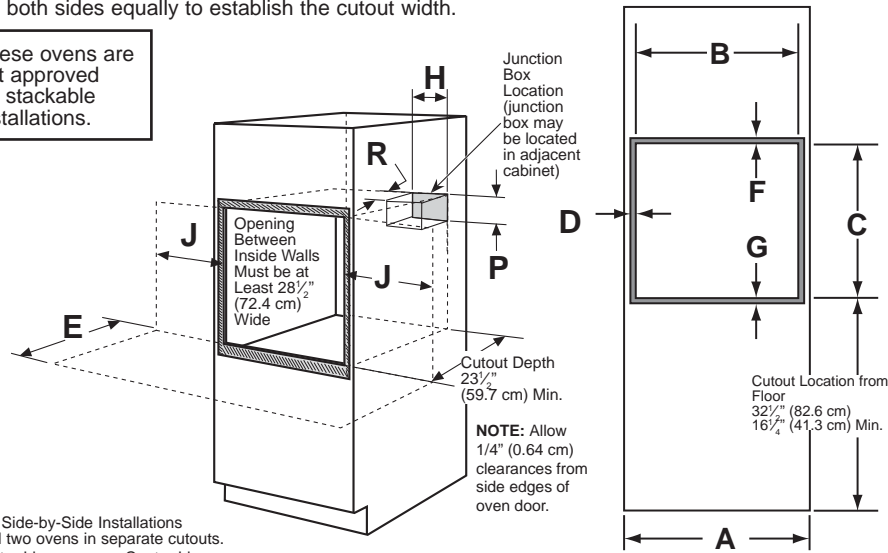
**NOTE:** If the cabinet does not have a front frame and the sides are less than 3/4" (1.9 cm) thick, shim both sides equally to establish the cutout width.



## 2 | A CUTOUT FOR SINGLE OVENS IN WALL CABINET

**NOTE:** If the cabinet does not have a front frame and the sides are less than 3/4" (1.9 cm) thick, shim both sides equally to establish the cutout width.

These ovens are not approved for stackable installations.

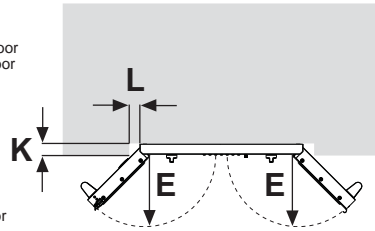


Side-by-Side Installations  
Install two ovens in separate cutouts.  
Center Line      Center Line

30" Models  
58 1/2" (148.6 cm) if both ovens are French Door  
42 1/2" (108 cm) if only one oven is French Door

Cutout – observe all dimensions and requirements.

30" (76.2 cm) Min. if both ovens are French Door  
14" (35.6 cm) Min. if only one oven is French Door

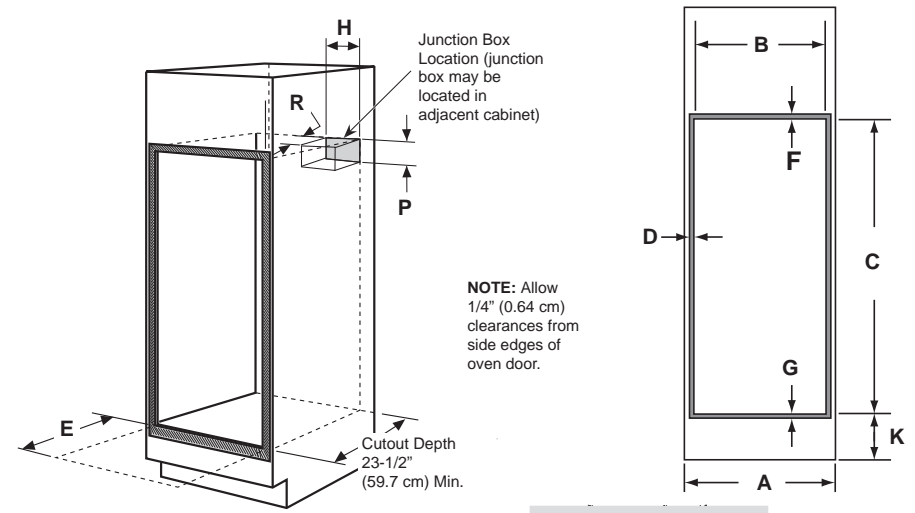


Dimension	Dimension Description	30" Single Oven
A	Cabinet width	30" (76.2 cm)
B	Cutout width	28 1/2" (72.4 cm) min. 28 5/8" (72.7 cm) max.
C	Cutout height	27 1/4" (69.2 cm) min. 27 5/16" (69.4 cm) max.
D	Clearance from cutout - side edges*	1 1/16" (1.75 cm)
E	Door swing depth - Allow additional clearances for installation and oven usage	16 1/4" (41.3 cm) min.
F	Clearance from cutout - top*	1" (2.5 cm) min (1 1/4" (3.2 cm)
G	Clearance from cutout - bottom*	1 1/4" (3.2 cm)
H	Junction box location	9 1/2" (24.1 cm) max. right side only
J	Door swing width - Allow additional clearances for installation and oven usage	14" (35.6 cm) min.
K	Countertop or cabinet door protrusion (measure if exist)	Measure "K"
L	Gap between edge of countertop or cabinet door to cabinet opening	If K = 0, L = 0. Otherwise L = K + 1" (2.54 cm) min.
P	Junction Box location	5-1/4" (13.34 cm) max.
R	Junction Box location	2-1/2" (6.35 cm) max.

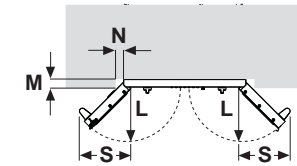
\* Refers to minimum clearance required for wall oven installation and does not reflect actual product dimensions.

## 2 | B CUTOUT FOR DOUBLE OVENS IN WALL CABINET

**NOTE:** If the cabinet does not have a front frame and the sides are less than 3/4" (1.9 cm) thick, shim both sides equally to establish the cutout width.



**NOTE:** Allow 1/4" (0.64 cm) clearances from side edges of oven door.



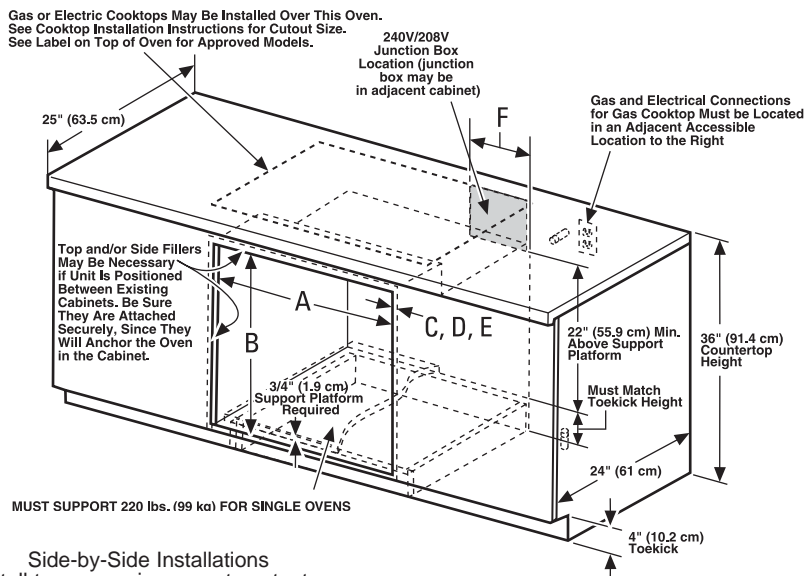
Dim.	Description	30" Double Oven with Pedestal	30" Double Oven without Pedestal
A	Cabinet width	30" (76.2 cm)	30" (76.2 cm)
B	Cutout width	28 1/2" (72.4 cm) min. 28 5/8" (72.7 cm) max.	28 1/2" (72.4 cm) min. 28 5/8" (72.7 cm) max.
C	Cutout height	51 3/16" (131.6 cm) min. 51 5/16" (131.9 cm) max.	50 1/4" (127.64 cm)
D	Clearance from cutout - side edges*	1 1/16" (1.75 cm)	1 1/16" (1.75 cm)
E	Lower door clearance to adjacent corners, drawers, walls, etc., When door is open	23" (53.3 cm) min.	23" (53.3 cm) min.
F	Clearance from cutout - top*	1" (2.5 cm) min.(1 1/4" (3.2 cm)	1" (2.5 cm) min.(1 1/4" (3.2 cm)
G	Clearance from cutout - bottom*	1 1/4" (3.2 cm)	1 1/4" (3.2 cm)
H	Junction box location	9 1/2" (24.1 cm) max.right side only	9 1/2" (24.1 cm) max.right side only
K	Cutout location from floor	12" (30.5 cm) min.	12" (30.5 cm) min.
L	French (upper) door swing depth - Allow additional clearances for installation and oven usage	16 1/4" (41.3 cm) min.	16 1/4" (41.3 cm) min.
M	Countertop or cabinet door protrusion (measure if exist)	Measure "M"	Measure "M"
N	Gap between edge of countertop or cabinet door to cabinet opening	If M = 0, N = 0, Otherwise N = M + 1" (2.54 cm) min.	If M = 0, N = 0, Otherwise N = M + 1" (2.54 cm) min.
P	Junction Box location	5-1/4" (13.34 cm) max.	5-1/4" (13.34 cm) max.
R	Junction Box location	2-1/2" (6.35 cm) max.	2-1/2" (6.35 cm) max.
S	Door swing width - Allow additional clearances for installation and oven usage	14" (35.6 cm) min.	14" (35.6 cm) min.

\* Refers to minimum clearance required for wall oven installation and does not reflect actual product dimensions.

Continue to Section 3.

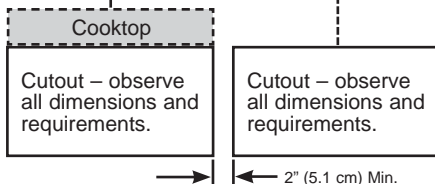
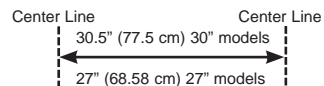
## 2 C CUTOUT FOR SINGLE OVENS – UNDER COUNTER

**NOTE:** These ovens are only approved to be installed under the specific models as labeled on the unit.

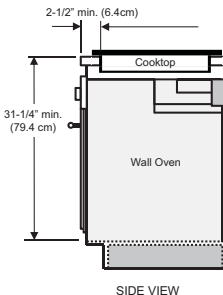


MUST SUPPORT 220 lbs. (99 kg) FOR SINGLE OVENS

Side-by-Side Installations  
Install two ovens in separate cutouts.



**IMPORTANT:** Maintain a minimum distance of 31-1/4" from the top surface of the countertop to the wall oven platform to ensure that the cooktop and wall oven do not interfere with each other (see picture).



**NOTE:** One cooktop may be centered over either oven in the side-by-side installation.

Dimension	Dimension Description	27" Single Oven	30" Single Oven
A	Cabinet Width	25" (63.5 cm) min. 25 1/2" (64.1 cm) max.	28 1/2" (72.4 cm) min. 28 5/8" (72.7 cm) max.
B	Cutout Height	27 5/8" (70.2 cm) min. 28 7/8" (71.4 cm) max.	27 1/4" (69.2 cm) min. 27 5/8" (69.4 cm) max.
C	Clearance from cutout - top*	1" (2.5 cm)	1" (2.5 cm) (1 1/4" (3.2 cm) for PT9050 ZET1S and ZET1P)
D	Clearance from cutout - bottom*	1" (2.5 cm)	1 1/4" (3.2 cm)
E	Clearance from cutout - side edges*	1" (2.5 cm)	1 1/16" (1.75 cm)
F	Junction Box Location	8 3/4" (22.2 cm) max. right side only	9 1/2" (24.1 cm) max. right side only

\* Refers to minimum clearance required for wall oven installation and does not reflect actual product dimensions.

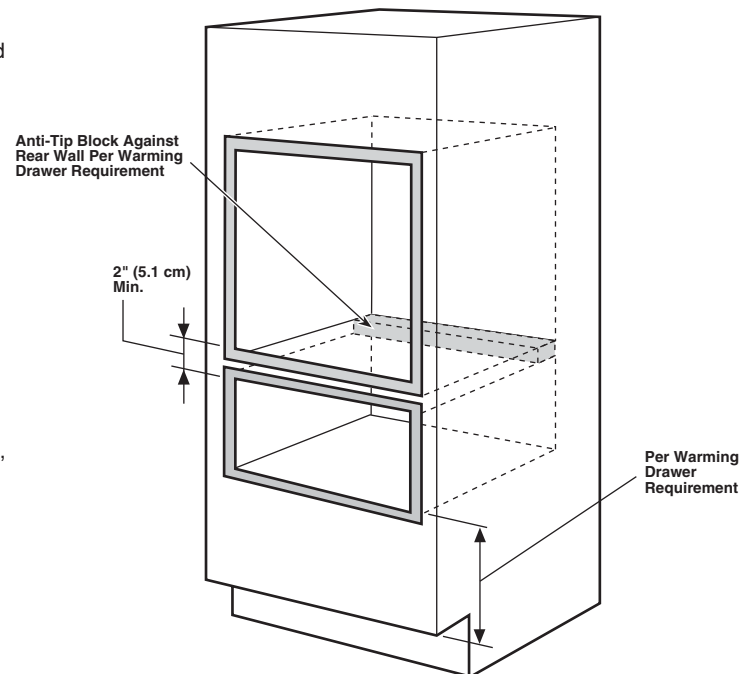
Continue to Section 4.

## 2 D CUTOUT FOR INSTALLATION OVER A WARMING DRAWER

**NOTE:** Install the oven only with specific models listed on the label located on top of the oven.

**NOTE:** Additional clearances between cutouts may be required. Check to be sure the oven supports above the Warming Drawer location do not obstruct the required interior depth and height.

When installing a Warming Drawer below a double oven, a separate 120V, 60 HZ, properly grounded receptacle must be installed. Refer to installation instructions packed with the Warming Drawer for specific installation requirements.

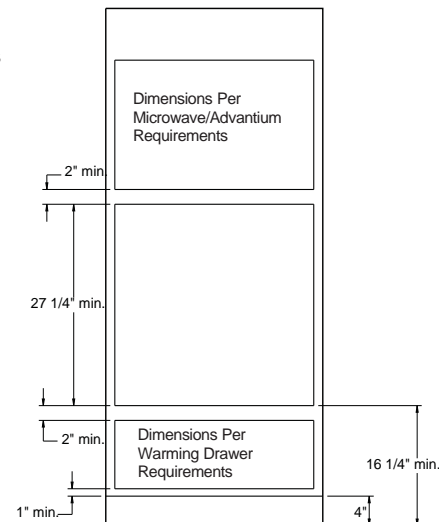


## 2 E CUTOUT FOR FRENCH DOOR UNDER A MICROWAVE/ADVANTUM AND OVER A WARMING DRAWER

**NOTE:** Install the oven only with specific models listed on the label located on top of the oven.

**NOTE:** Additional clearances between cutouts may be required. Check to be sure the oven supports above the Warming Drawer location do not obstruct the required interior depth and height.

When installing a Warming Drawer below a single or double oven, a separate 120V, 60 HZ, properly grounded receptacle must be installed. Refer to installation instructions packed with the Warming Drawer for specific installation requirements.



### 3 A DETERMINING WHEN TO USE THE PEDESTAL

#### WHEN TO USE THE PEDESTAL

When replacing an older GE Appliances 30" double wall oven with a new GE Appliances model. Cutout height = 51-13/16" to 51-15/16". This is our traditional cutout height.

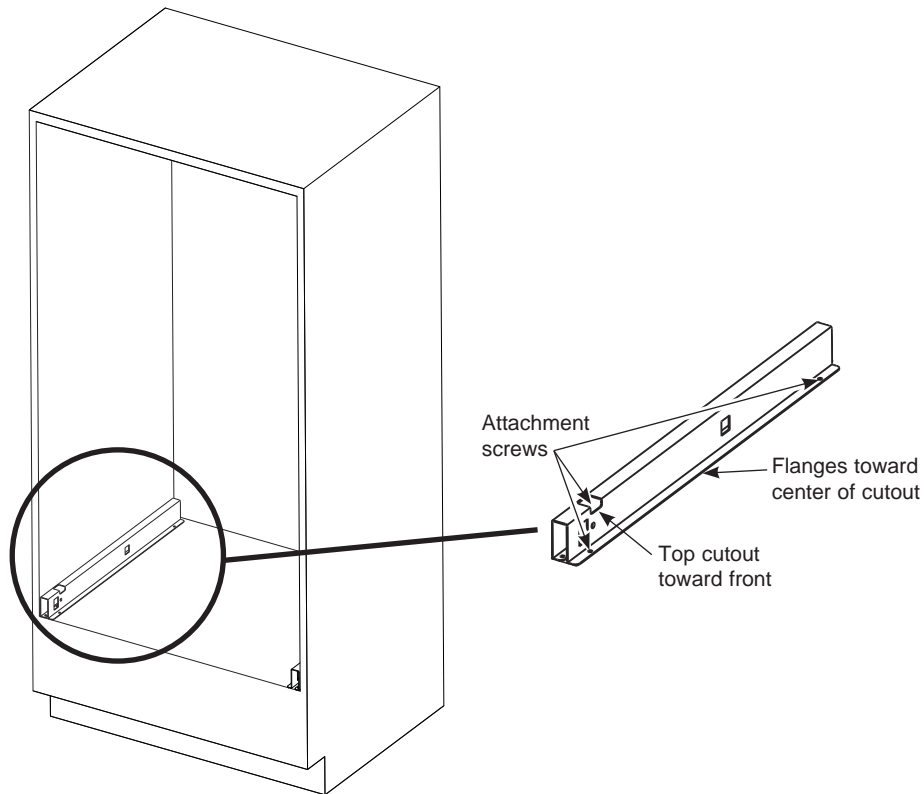
#### WHEN NOT TO USE THE PEDESTAL

When replacing a 30" double wall oven from another manufacturer (ie. Whirlpool) with a new GE Appliances 30" double wall oven. Cutout height = 50-1/4". You will need to verify that the existing cutout matches the 50-1/4" dimension.

If the new GE Appliances 30" double wall oven is being installed into new construction (ie. not a replacement), then the recommended installation is to use the Pedestal.

### 3 B PEDESTAL RAIL INSTALLATION

- Position the pedestal rails with the top cutout toward the front of the opening and the flanges on the bottom, pointing toward the center. Locate each rail on the floor or cabinet runner, slightly inward from the side of the cabinet. Make sure the front of each rail is not protruding beyond the front of the cabinet opening.
- Drill pilot holes and attach rails to runner or bottom of cabinet with provided hardware.

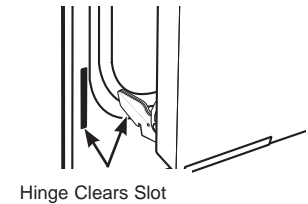
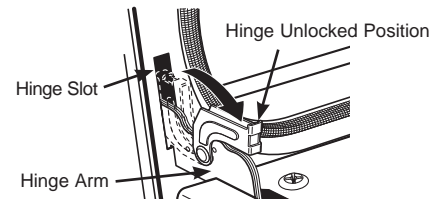
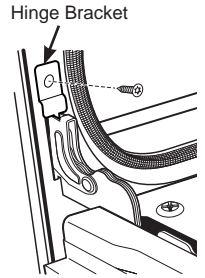


### 4 LOWER DOOR REMOVAL (RECOMMENDED)

**NOTE:** Door removal is not a requirement for installation of the product but is an added convenience.

#### To remove the lower oven door:

- Open the oven door as far as it will go.
- Remove hinge bracket, if equipped, from front frame and set aside. The hinge bracket must be replaced, if equipped, for proper door functionality when door is reinstalled.
- Push both hinge locks down toward the door frame to the unlocked position. This may require a flat-blade screwdriver. **DO NOT LIFT THE DOOR BY THE HANDLE!**
- Place hands on both sides of the door and close the oven door to the removal position (approximately 1"–2" [2.5 cm–5.1 cm] from the closed position).
- Lift the door up and out until the hinge arms clear the slots. **NOTE:** The oven door is very heavy. Be sure you have a firm grip before lifting the oven door off the hinges. Use caution once the door is removed. Do not lay the door on its handle. This could cause dents or scratches.



### 5 ELECTRICAL REQUIREMENTS

#### ⚠ WARNING

This appliance must be properly grounded.

#### ⚠ WARNING

To prevent fire or shock, do not use an extension cord with this appliance.

#### ⚠ WARNING

To prevent shock, remove house fuse or open circuit breaker before beginning installation.

#### ⚠ WARNING

Improper connection of aluminum house wiring to copper leads can result in an electrical hazard or fire. Use only connectors designed for joining copper to aluminum and follow the manufacturer's recommended procedure closely.

We recommend you have the electrical wiring and hookup of your appliance connected by a qualified electrician. After installation, have the electrician show you how to disconnect power from the appliance.

You must use a single-phase, 120/208 VAC or 120/240 VAC, 60 Hertz electrical system. If you connect to aluminum wiring, properly installed connectors approved for use with aluminum wiring must be used.

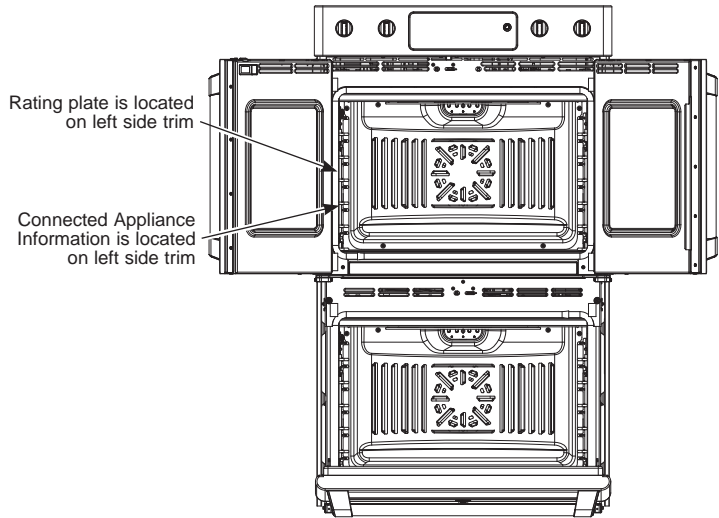
Effective January 1, 1996, the National Electrical Code requires that new construction (not existing) utilize a four-conductor connection to an electric oven. When installing an electric oven in new construction, a mobile home, recreational vehicle or an area where local codes prohibit grounding through the neutral conductor, refer to the section on four-conductor branch circuit connections.

Check with your local utilities for electrical codes which apply in your area. Failure to wire your oven according to governing codes could result in a hazardous condition. If there are no local codes, your oven must be wired and fused to meet the National Electrical Code, NFPA No. 70 – latest edition, available from the National Fire Protection Association.

## 5 ELECTRICAL REQUIREMENTS (CONT.)

**NOTE:** If using a GFI breaker, the ground wire must be installed correctly to prevent breaker from tripping. Refer to latest edition of the NEC, NFPA No. 70, available from the National Fire Protection Association.

This appliance must be supplied with the proper voltage and frequency and connected to an individual, properly grounded branch circuit, protected by a circuit breaker or fuse. See the rating plate located on the oven frame to determine the rating of the product.



Use the chart below to determine the minimum recommended dedicated circuit protection:

KW Rating 240V	KW Rating 208V	Recommended Circuit Size (Dedicated)
≤4.8 KW	≤4.1 KW	20 Amp
4.9 KW–7.2 KW	4.2 KW–6.2 KW	30 Amp
7.3 KW–9.6 KW	6.3 KW–8.3 KW	40 Amp
9.7 KW–12.0 KW	8.4 KW–10.4 KW	50 Amp

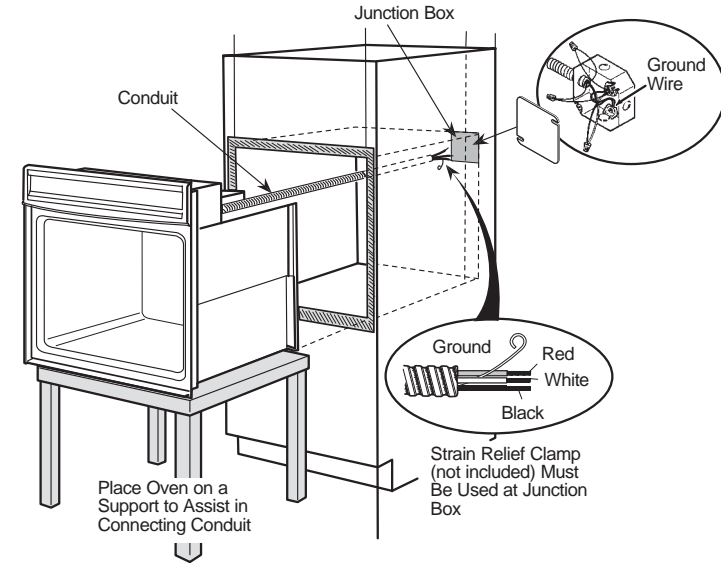
DO NOT shorten the flexible conduit. The conduit strain relief clamp must be securely attached to the junction box and the flexible conduit must be securely attached to the clamp. If the flexible conduit will not fit within the clamp, do not install the oven until a clamp of the proper size is obtained.

The 3 power leads supplied with this appliance are suitable for connection to heavier gauge household wiring. The insulation of these 3 leads is rated for temperatures much higher than the temperature rating of the household wiring. The current-carrying capacity of the conductor is governed by the wire gauge and the temperature rating of the insulation around the wire.

## 6 MAKE ELECTRICAL CONNECTIONS

### ⚠ WARNING

Switch power off at the service panel and lock the service disconnecting means to prevent power from being switched on accidentally. When the service disconnecting means cannot be locked, securely fasten a prominent warning device, such as a tag, to the service panel.



Place oven on table or platform even with the cutout opening. For a French Door oven, the platform must support 220 lbs. (98.8 kg). Connect the flexible conduit to the electrical junction box as shown below\*. Position the conduit in such a manner that it will lie behind the unit in a natural loop when the oven is installed. You will need to purchase an appropriate strain relief clamp to complete the connection of the conduit to the junction box.

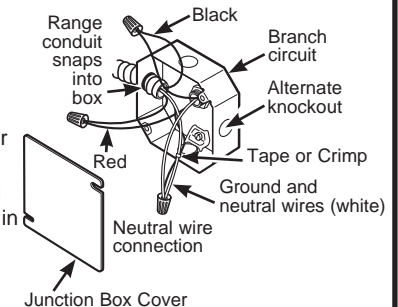
\*Ovens come equipped with a 40" long conduit. If a longer conduit is desired, there may be one available for your model. To check availability or order parts, call GE Appliances at 1.800.GE.CARES (1.800.432.2737).

## 7 THREE-CONDUCTOR BRANCH CIRCUIT CONNECTION

**NOTE:** If residence leads are aluminum conductors, see **WARNING** in Section 3, Electrical Requirements.

When connecting to a three-conductor branch circuit, if local codes permit:

- Connect the oven ground conductor along with the neutral (white) lead to the branch circuit neutral (white or gray in color), using a wire nut.
- Connect the oven red lead to the branch circuit red lead and the oven black lead to the branch circuit black lead in accordance with local codes, using wire nuts.
- Install proper strain relief clamp.
- Install junction box cover.

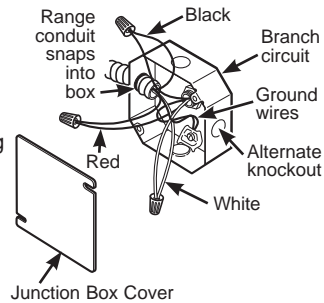


## 8 FOUR-CONDUCTOR BRANCH CIRCUIT CONNECTION

**NOTE:** If residence leads or ground are aluminum conductors, see WARNING in Section 3, Electrical Requirements.

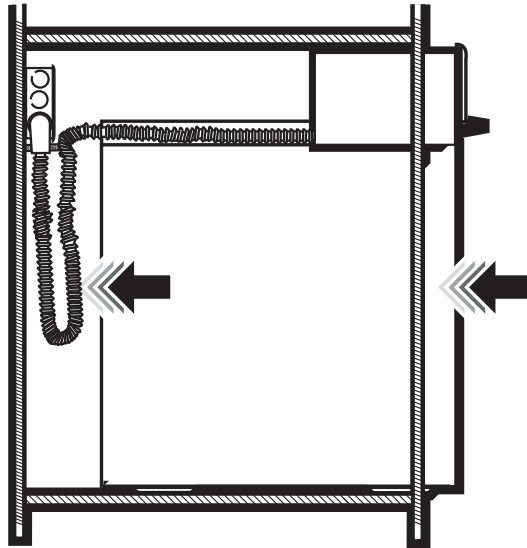
When connecting to a four-conductor branch circuit, if local codes permit:

- Free the neutral (white) lead from being restrained to any other wires. If necessary, cut the neutral (white) lead and then re-strip it to expose the proper length of conductor.
- Attach the appliance grounding lead (green or bare copper) in accordance with local codes.
- Connect the oven neutral (white) lead to the branch circuit neutral (white or gray) in accordance with local codes, using a wire nut.
- Connect the oven red lead to the branch circuit red lead and the oven black lead to the branch circuit black lead in accordance with local codes, using wire nuts.
- Install proper strain relief clamp.
- Install junction box cover.



## 9 SLIDE OVEN INTO OPENING

- Lift oven into cabinet cutout using the oven opening as a grip. Carefully push against oven front frame. Do not push against outside edges.

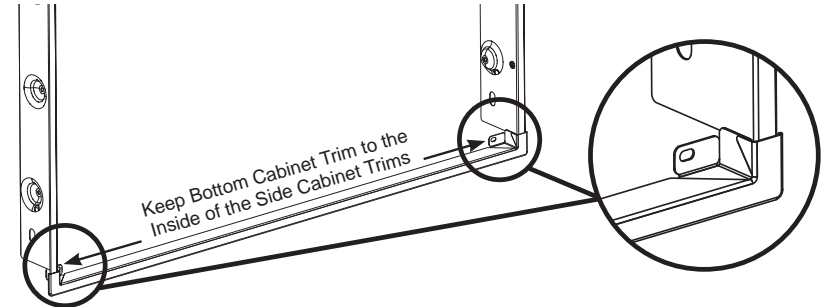
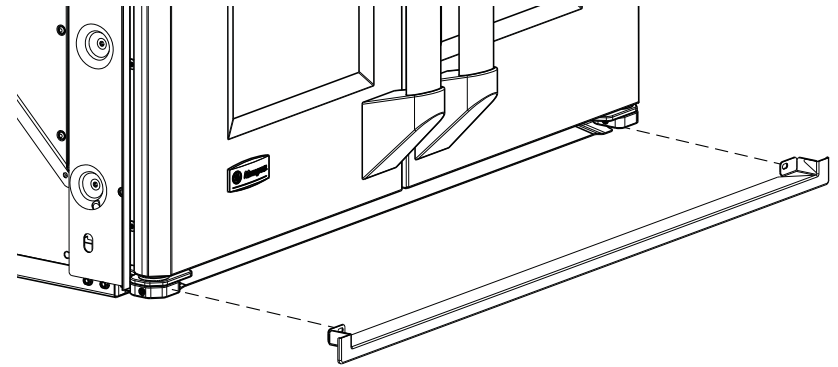


## 10 BOTTOM TRIM INSTALLATION

### Single Oven

- Slide oven out by 2" and attach the bottom trim through its mounting holes in front vertical brace using two trim screws provided. Bottom trim lip must be placed under flange of bottom air duct.

#### SWO's installation



Exercise caution while sliding the unit back in after bottom trim installation. Installer needs to ensure that the trim does not catch the edge of the cabinet and bend. Furthermore, the installer needs to ensure that the cabinet itself is not damaged while the unit is slid back into position.

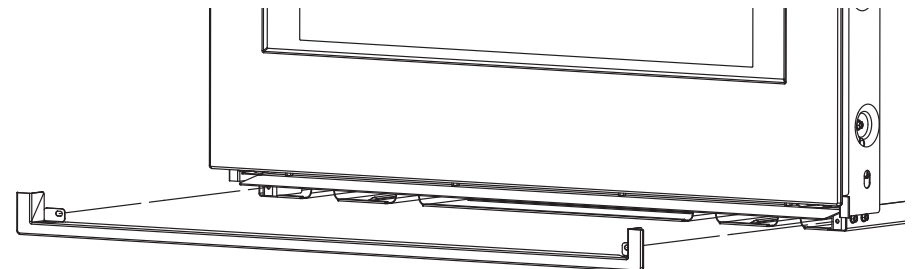
### **▲WARNING**

Do not slide oven out more than noted dimension, the unit can tip over and fall causing serious injury & damage.

### Double Oven

- With oven installed, attach the bottom trim through its mounting holes in front vertical brace using two trim screws provided. Bottom trim lip must be placed under flange of bottom air duct.

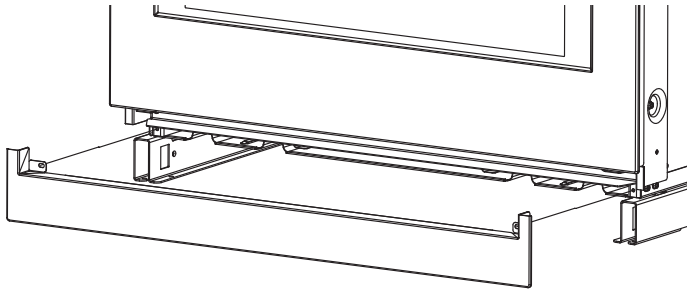
#### Installations without a Pedestal



## 10 BOTTOM TRIM INSTALLATION (Cont.)

### Double Oven (Cont.)

#### Installations with a Pedestal



**IMPORTANT:** If this unit is ever removed from the cabinet or the oven is ever pulled out for service, the bottom trim must be removed first or damage to the trim will occur.

## 11 MOUNT THE OVEN

### ⚠ WARNING

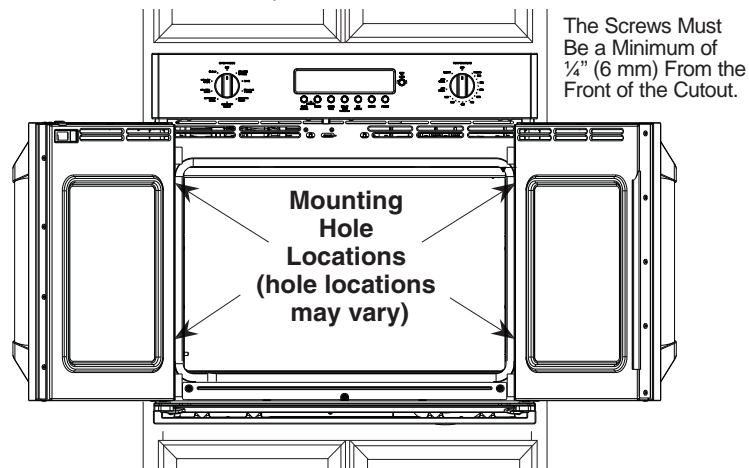
Mounting screws must be used. Failure to do so could result in the oven falling out of the cabinet, causing serious injury.

**NOTE:** During oven mounting step, ensure that no damage is done to oven gasket which lines the edge of oven cavity.

**NOTE:** Before drilling the pilot holes, make sure the oven is pushed as far back into the opening as it will go and is centered.

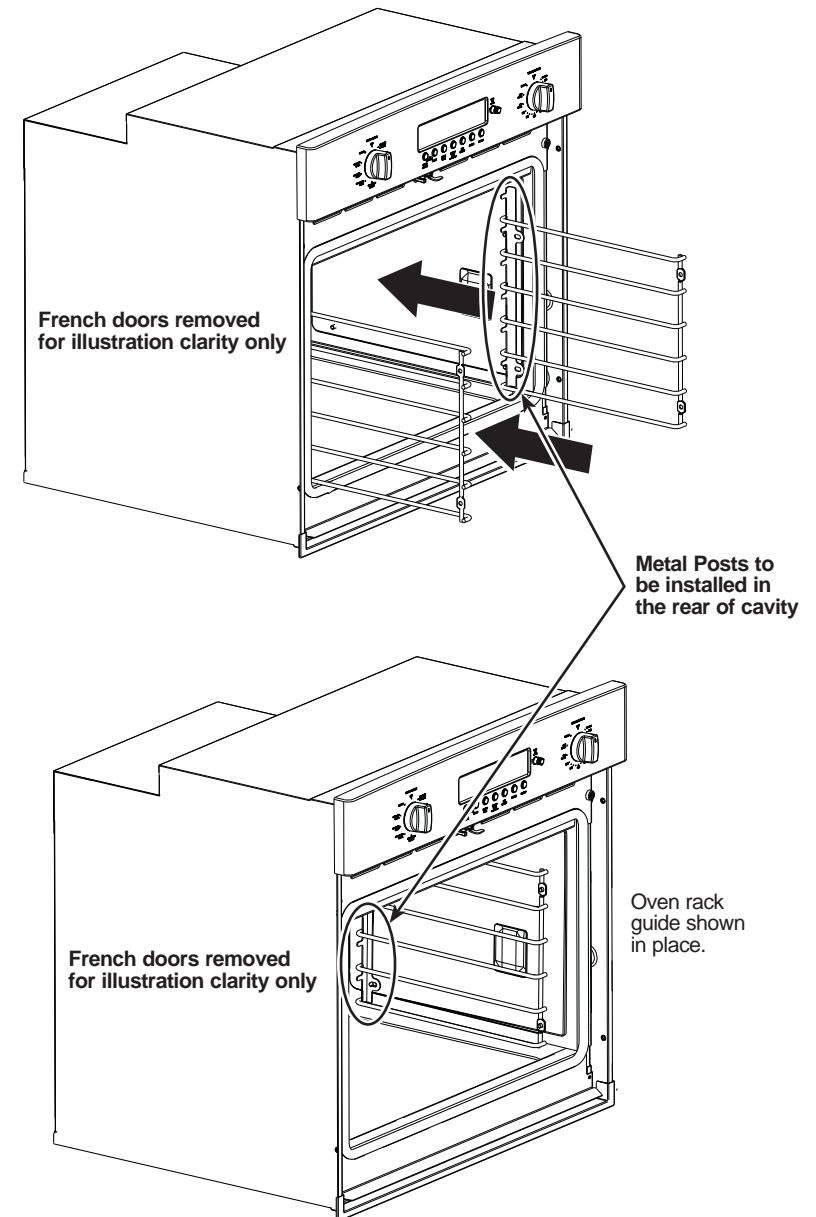
**NOTE:** If the cabinet is particle board, you must use #8 x 3/4" particle board screws. These may be purchased at any hardware store.

- Drill through the mounting holes (top and bottom) of the side trim for the #8 mounting screws provided.
- Secure the oven cabinet with the screws provided.



## 12 OVEN RACK GUIDE INSTALLATION

- Locate included oven rack guide mounting hardware.
- Place oven rack guides on cavity wall studs with metal posts towards back of cavity as shown.
- Install guides using the 8 provided mounting nuts.



Some models have custom handles. Please follow the instructions with the handles for proper installation.

## 13 DOOR ADJUSTMENT MECHANISM

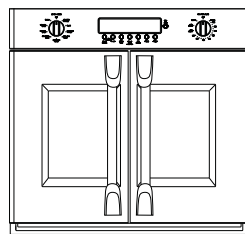
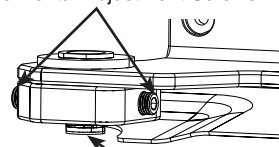
Door Adjustment Mechanism is located on both the right and left doors at the bottom hinges. Only the left side Adjustment Mechanism is shown in this manual.

**NOTE:** Adjust the doors inward only until the center gap is even. Over-adjusting can damage the center seals and make the doors more difficult to open.

**A.** Using 3/16" hex key, tighten Vertical Adjustment Screw to adjust door up and loosen to adjust door down.

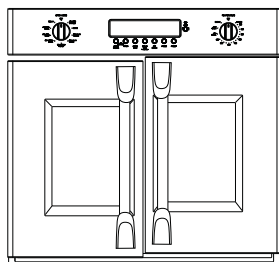
**B.** Horizontal Adjustment Screws pivot the door about an axis. Using a 1/8" Hex Key, loosen both screws, then tighten appropriate screw to pivot door. Once door is in place, verify both screws are tightened.

Horizontal Adjustment Screws



### EXAGGERATED EXAMPLES FOR LEFT DOOR ADJUSTMENT

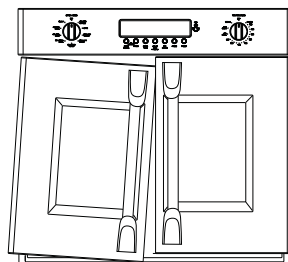
**Example 1: Left door low, center gap even.**



Steps for adjustment:

- Tighten left Vertical Adjustment Screw.
- If left door is still low, loosen right Vertical Adjustment Screw.

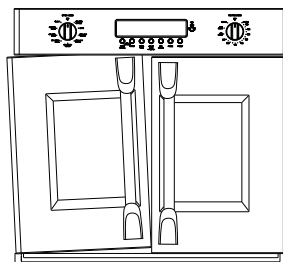
**Example 2: Left door low, center gap larger at bottom.**



Steps for adjustment:

- Loosen inside Horizontal Adjustment Screw.
- Tighten outside Horizontal Adjustment Screw until center gap even.
- If left door is still low, tighten left Vertical Adjustment Screw.
- Tighten inside Horizontal Adjustment Screw.

**Example 3: Left door high, center gap larger at top.**



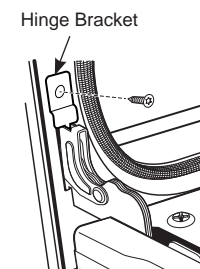
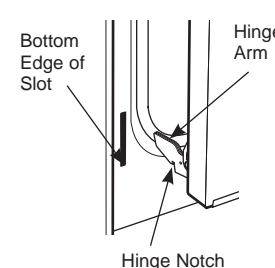
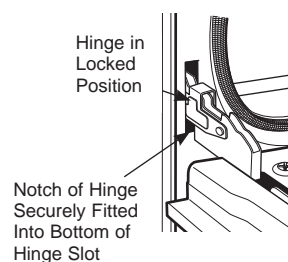
Steps for adjustment:

- Loosen outside Horizontal Adjustment Screw.
- Tighten Outside Horizontal Adjustment Screw until center gap even.
- If left door is still low, tighten Left Vertical Adjustment Screw.
- Tighten Inside Horizontal Adjustment Screw.

## 14 REPLACING THE LOWER OVEN DOOR

**NOTE:** The oven door is heavy. You may need help lifting the door high enough to slide it into the hinge slots. Do not lift the door by the handle.

- Lift the oven door by grasping each side.
- With the door at the same angle as the removal position (approximately 1"–2" [2.5 cm–5.1 cm] from the closed position), seat the notch of the hinge arm into the bottom edge of the hinge slot. The notch of the hinge arm must be fully seated into the bottom of the slot.
- Fully open the door. If the door will not fully open, the indentation is not seated correctly in the bottom edge of the slot.
- Push the hinge locks up against the front frame of the oven cavity, to the locked position.
- Replace hinge bracket, if equipped, to ensure proper door functionality.
- Close the oven door.



## 15 FINAL INSTALLATION CHECKLIST

- Check to make sure the circuit breaker is closed (RESET) or the circuit fuses are replaced.
- Be sure power is in service to the building.
- Check that all packing material and tape have been removed. Failure to remove these materials could result in damage to the appliance once the appliance has been turned on and surfaces have heated.
- Remove all items from inside the oven.
- Check to be sure that the mounting screws are installed and flush with the side trim (see Section 10).
- Check that the bottom trim is installed properly (see Bottom Trim Installation).
- Ensure that air duct opening at bottom of unit is free of obstructions.
- Check that oven rack guides (if applicable) are installed correctly and oven racks function smoothly.
- If applicable - install handles following handle installation instructions and check that both ends are secured.

### OPERATION CHECKLIST

- Turn on the power to the oven (refer to your Owner's Manual). Verify that the bake and broil units and all cooking functions operate properly.
- See your Owner's Manual for the troubleshooting list.
- Be sure all of the oven controls are OFF before leaving the oven.
- Open the door completely and ensure that there is sufficient clearance to surrounding cabinets and counter tops.



# Instrucciones de instalación

## Hornos de Pared con Puerta Francesa de 30" Incorporada

¿Preguntas? Comuníquese con nosotros al 1.800.432.273 o visita [GEAppliances.com](http://GEAppliances.com).

En Canadá, llame 1.800.561.3344 o visita [GEAppliances.ca](http://GEAppliances.ca).

### ANTES DE COMENZAR

Lea estas instrucciones por completo y con detenimiento.

- **IMPORTANTE** – Guarde estas instrucciones para el uso de inspectores locales.
- **IMPORTANTE** – Cumpla con todos los códigos y ordenanzas vigentes.
- **Nota al instalador** – Asegúrese de dejar estas instrucciones con el Consumidor.

- **Nota al consumidor** – Conserve estas instrucciones para referencia futura.
- **Nivel de destreza** – La instalación de este aparato requiere un instalador o electricista calificados.
- El instalador tiene la responsabilidad de efectuar una instalación adecuada.
- La garantía no cubre las fallas del producto provocadas por una instalación incorrecta.
- Este producto sólo se debe usar en áreas interiores.

**ATENCIÓN INSTALADOR:** Todos los hornos de pared eléctricos deben contar con cableado de conexión permanente (cableado directo) dentro de una caja de conexiones aprobada. En estos productos NO se permite la conexión del tipo "enchufe y receptáculo".

### PARA SU SEGURIDAD:

#### ⚠ ADVERTENCIA

Antes de comenzar la instalación, desconecte la energía del panel de servicio y bloquee los medios de desconexión para evitar el accionamiento de la energía de manera accidental. Cuando los medios de desconexión de servicio no pueden bloquearse, coloque sobre el panel de servicio un dispositivo de advertencia bien visible, como una etiqueta.

El horno debe instalarse bien en un gabinete que se encuentre firmemente sujeto a la estructura de la casa. Si se coloca peso sobre la puerta del horno, éste puede volcarse y provocar lesiones. Nunca permita que nadie se suba, siente, pare o cuelgue de la puerta del horno.

Verifique que el revestimiento de las paredes, mostradores y gabinetes ubicados alrededor del horno puedan soportar el calor (hasta 200°F [93,3°C]) generado por el horno.

### MATERIALES QUE PUEDE NECESITAR

Caja de conexiones  
Tapones de alambre  
Abrazadera de alivio de tensión para conducto de 1/2"

### HERRAMIENTAS NECESARIAS

Broca de perforadora de 1/8" y perforadora eléctrica o de mano  
Llave hexagonal de 3/16" Llave hexagonal de 1/8"  
Destornillador de estrella Alicates pelacables  
Lentes de seguridad Guantes

## 1 QUITE LOS MATERIALES DE EMPAQUE

No quitar los materiales de empaque puede provocar daños al electrodoméstico. Quite todas las partes de empaque del horno, bandejas y elementos de calentamiento. Quite la película protectora y las etiquetas de la puerta exterior y panel de control. También, quite los elementos plásticos de los rebordes y panel, toda la cinta que cubre el horno y los tornillos de envío que fijan el horno a la almohadilla base. Abra la puerta del horno y quite el material informativo y las bandejas del horno. Quite el reborde inferior de la parte superior del horno. Se colocará al final del proceso de instalación. El reborde se encuentra envuelto en forma separada y adherido en la parte superior de la unidad.

## INFORMACIÓN DE DISE

### INSTALACIONES DE HORNO SIMPLE CON PUERTA FRANCESA

El horno simple de Puerta Francesa se podrá instalar en un gabinete por separado, sobre un cajón para calentar, debajo de un Microondas/ Advantium, y/o debajo de una encimera o superficie de cocción. Sin embargo, no se permite instalar el horno simple con Puerta Francesa de forma nivelada con la superficie frontal del gabinete.

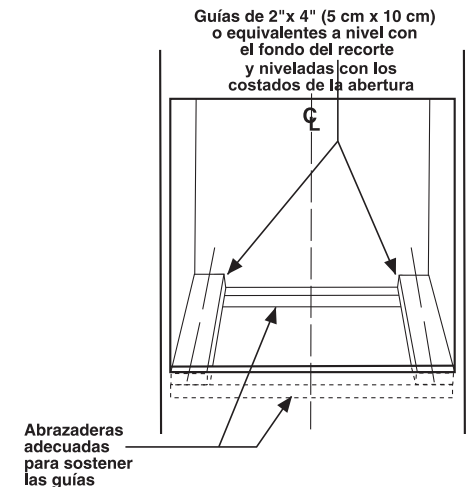
**IMPORTANTE:** Siempre consulte las instrucciones de instalaciones individuales enviadas con cada producto para requerimientos específicos.

## 2 PREPARE LA ABERTURA

**NOTA:** Si el gabinete no cuenta con un fondo sólido, deben instalarse dos abrazaderas o guías para soportar el peso del horno. Para Hornos con Puerta Francesa, las guías o abrazaderas deben soportar 220 lbs (98.8 kgs).

**NOTA:** Si marcas, imperfecciones o la abertura resultaran visibles sobre el horno instalado, puede ser necesario agregar cuñas de madera bajo las guías y el reborde frontal hasta cubrir las marcas o la abertura.

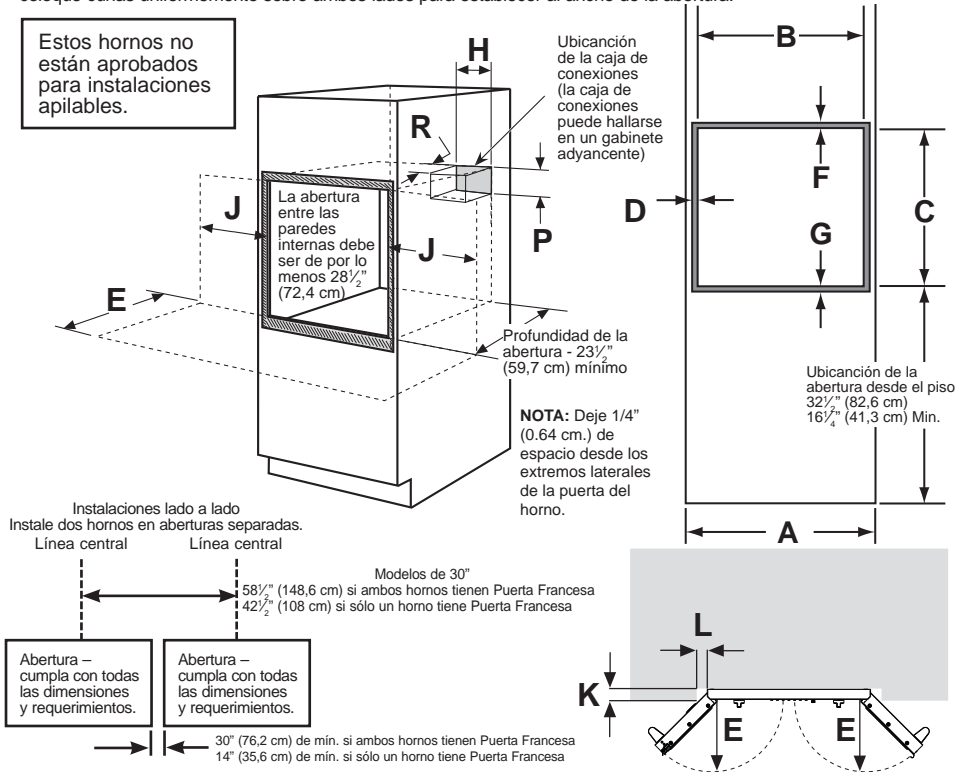
**NOTA:** Si el gabinete no cuenta con un armazón frontal y los lados son menores a un grosor de 3/4" (1,9 cm), coloque cuñas uniformemente sobre ambos lados para establecer al ancho de la abertura.



## 2 A ABERTURA PARA HORNOS ÚNICOS EN UN GABINETE DE PARED

**NOTA:** Si el gabinete no cuenta con un armazón frontal y los lados son menores a un grosor de 3/4" (1,9 cm), coloque cuñas uniformemente sobre ambos lados para establecer al ancho de la abertura.

Estos hornos no están aprobados para instalaciones apilables.

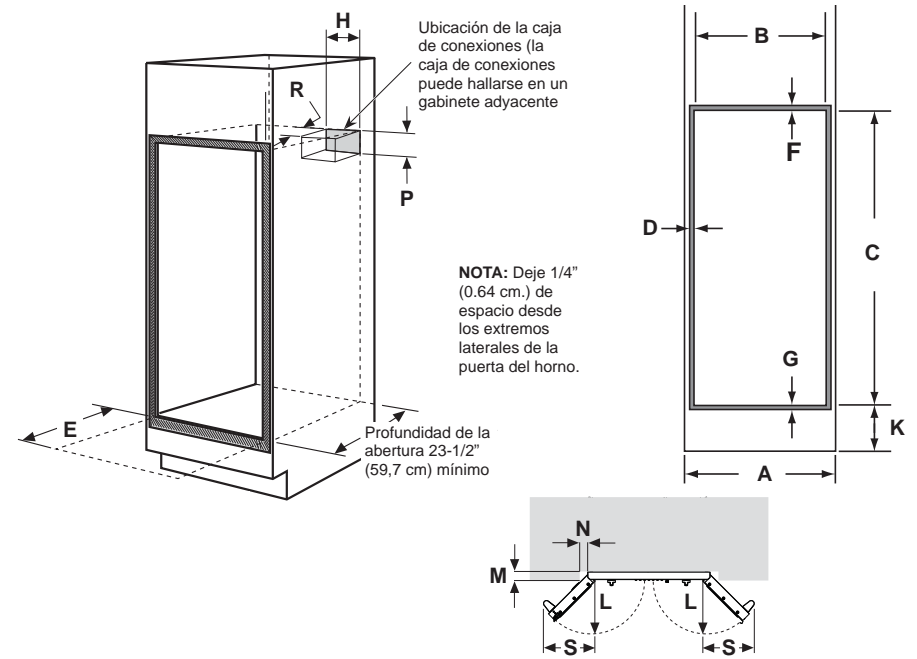


Dimensión	Descripción de la dimensión	Horno único de 30"
A	Ancho del gabinete	30" (76,2 cm)
B	Ancho de la abertura	28 1/2" (72,4 cm) min. 28 5/8" (72,7 cm) max.
C	Altura de la abertura	27 1/2" (69,2 cm) min. 27 5/8" (69,4 cm) max.
D	Espacio desde la abertura - extremos laterales*	1 1/16" (1,75 cm)
E	Profundidad del giro de la puerta - Deje espacio adicional para la instalación y uso del horno	16 1/4" (41,3 cm) min.
F	Espacio desde la abertura - parte superior*	1" (2,5 cm) min. (1 1/4" (3,2 cm))
G	Espacio desde la abertura - parte inferior*	1 1/4" (3,2 cm)
H	Ubicación de la caja de conexiones	9 1/2" (24,1 cm) max. sólo lado derecho
J	Ancho del giro de la puerta - Deje espacio adicional para la instalación y uso del horno	14" (35,6 cm) min.
K	Protuberancia de la mesada o de la puerta del gabinete (medida si existe)	Medida "K"
L	Brecha entre el extremo de la mesada o de la puerta del gabinete y la abertura del gabinete	Si K = 0, L = 0, de otra forma L = K + 1" (2,54 cm) min.
P	Ubicación de la caja de conexiones	5-1/4" (13,34 cm) max.
R	Ubicación de la caja de conexiones	2-1/2" (6,35 cm) max.

\* Se refiere al espacio mínimo requerido para la instalación del horno de pared y no refleja las dimensiones reales del producto.

## 2 B ABERTURA PARA HORNOS DOBLES (Cont.)

**NOTA:** Si el gabinete no cuenta con un armazón frontal y los lados son menores a un grosor de 3/4" (1,9 cm), coloque cuñas uniformemente sobre ambos lados para establecer al ancho de la abertura.



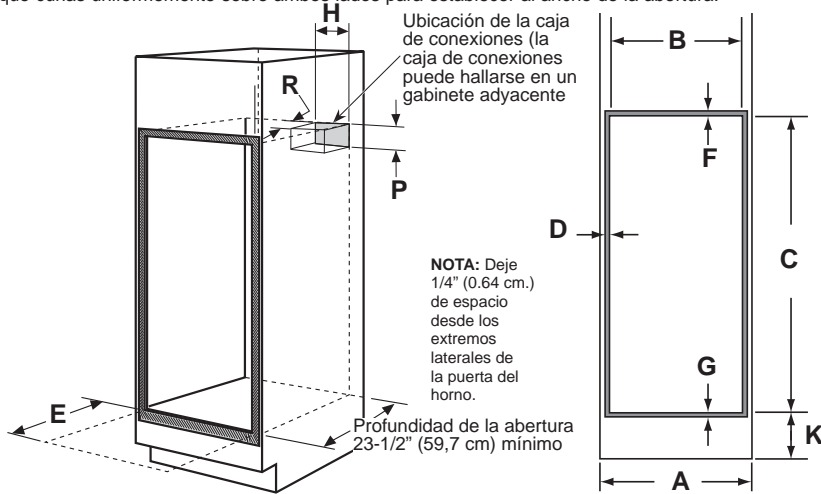
Dim.	Descripción	Horno doble de 30" con pedestal	Horno doble de 30" sin pedestal
A	Ancho del gabinete	30" (76,2 cm)	30" (76,2 cm)
B	Ancho de la abertura	28 1/2" (72,4 cm) min. 28 5/8" (72,7 cm) max.	28 1/2" (72,4 cm) min. 28 5/8" (72,7 cm) max.
C	Altura de la abertura	51 13/16" (131,6 cm) min. 51 15/16" (131,9 cm) max.	50 1/4" (127,64cm)
D	Espacio desde la abertura - extremos laterales*	1 1/16" (1,75 cm)	1 1/16" (1,75 cm)
E	Baje el espacio de la puerta hasta los cajones adyacentes, cajones paredes, etc., Cuando la puerta está abierta	23" (53,3 cm) min.	23" (53,3 cm) min.
F	Espacio desde la abertura - parte superior*	1" (2,5 cm) min. (1 1/4" (3,2 cm))	1" (2,5 cm) min. (1 1/4" (3,2 cm))
G	Espacio desde la abertura - parte inferior*	1 1/4" (3,2 cm)	1 1/4" (3,2 cm)
H	Ubicación de la caja de conexiones	9 1/2" (24,1 cm) max. sólo lado derecho	9 1/2" (24,1 cm) max. sólo lado derecho
K	Ubicación de la abertura desde el piso	12" (30,5 cm) min.	12" (30,5 cm) min.
L	Profundidad del balanceo de la puerta francesa (superior) - Deje espacio adicional para la instalación y uso del horno	16 1/4" (41,3 cm) min.	16 1/4" (41,3 cm) min.
M	Protuberancia de la mesada o de la puerta del gabinete (medida si existe)	Medida "M"	Medida "M"
N	Brecha entre el extremo de la mesada o de la puerta del gabinete y la abertura del gabinete	Si M = 0, N = 0, de otra forma N = M + 1" (2,54 cm) min.	Si M = 0, N = 0, de otra forma N = M + 1" (2,54 cm) min.
P	Ubicación de la caja de conexiones	5-1/4" (13,34 cm) max.	5-1/4" (13,34 cm) max.
R	Ubicación de la caja de conexiones	2-1/2" (6,35 cm) max.	2-1/2" (6,35 cm) max.
S	Ancho del balanceo de la puerta - Deje espacio libre adicional para la instalación y uso del horno	14" (35,6 cm) min.	14" (35,6 cm) min.

\* Se refiere al espacio mínimo requerido para la instalación del horno de pared y no refleja las dimensiones reales del producto.

Continúe en la sección 3.

## 2 C ABERTURA PARA HORNOS DOBLES (2 HORNOS TÉRMICOS)

**NOTA:** Si el gabinete no cuenta con un armazón frontal y los lados son menores a un grosor de 3/4" (1,9 cm), coloque cuñas uniformemente sobre ambos lados para establecer el ancho de la abertura.



Dim.	Descripción	Horno doble de 27"	Horno doble de 30" con pedestal	Horno doble de 30" sin pedestal
A	Ancho del gabinete	27" (68,6 cm)	30" (76,2 cm)	30" (76,2 cm)
B	Ancho de la abertura	25" (63,5 cm) min. 25 5/8" (64,1 cm) max.	28 3/8" (72,4 cm) min. 28 5/8" (72,7 cm) max.	28 3/8" (72,4 cm) min. 28 5/8" (72,7 cm) max.
C	Altura de la abertura	49 1/8" (126,2 cm) min. 50 1/8" (127,3 cm) max.	51 13/16" (131,6 cm) min. 51 15/16" (131,9 cm) max.	50 1/4" (127,64 cm)
D	Espacio desde la abertura – extremos laterales*	1" (2,5 cm)	1 1/16" (1,75 cm)	1 1/16" (1,75 cm)
E	Espacio respecto de esquinas adyacentes, cajones paredes, etc., cuando la puerta está abierta	23" (50,8 cm) min.	23" (53,3 cm) min.	23" (53,3 cm) min.
F	Espacio desde la abertura – parte superior*	1" (2,5 cm) min.	1" (2,5 cm) min. (1 1/4" (3,2 cm) para PT9550, ZET2S y ZET2P)	1" (2,5 cm) min. (1 1/4" (3,2 cm) para PT9550, ZET2S y ZET2P)
G	Espacio desde la abertura – parte inferior*	1" (2,5 cm) min.	1 1/4" (3,2 cm)	1 1/4" (3,2 cm)
H	Ubicación de la caja de conexiones	8 3/4" (22,2 cm) max. sólo lado derecho	9 1/2" (24,1 cm) max. sólo lado derecho	9 1/2" (24,1 cm) max. sólo lado derecho
J	Altura hasta la parte inferior de la caja de conexiones	44" (111,8 cm)	47" (119,4 cm)	47" (119,4 cm)
K	Ubicación de la abertura desde el piso	13 3/4" (33,7 cm) min.	12" (30,5 cm) min.	12" (30,5 cm) min.
P	Ubicación de la caja de conexiones	5-1/4" (13,34 cm) max.	5-1/4" (13,34 cm) max.	5-1/4" (13,34 cm) max.
R	Ubicación de la caja de conexiones	2-1/2" (6,35 cm) max.	2-1/2" (6,35 cm) max.	2-1/2" (6,35 cm) max.

\* Se refiere al espacio mínimo requerido para la instalación del horno de pared y no refleja las dimensiones reales del producto.

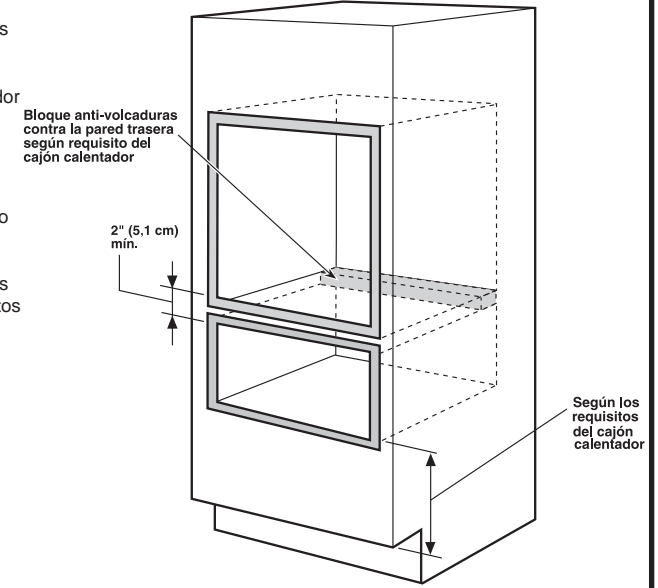
Continúe en la sección 3.

## 2 D ABERTURA PARA INSTALACIÓN SOBRE UN CAJÓN CALENTADOR

**NOTA:** Instale el horno sólo con los modelos específicos listados en la etiqueta ubicada en la parte superior del horno.

**NOTA:** Pueden necesitarse espacios adicionales entre las aberturas. Verifique que los soportes del horno sobre la ubicación de cajón calentador no obstruyan la profundidad y altura interiores requeridas.

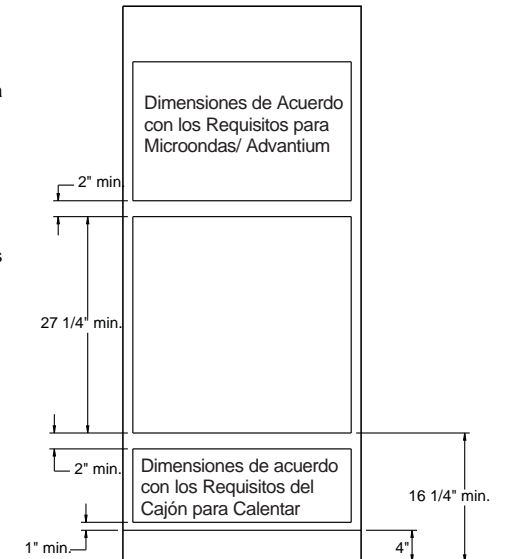
Al instalar un Cajón para Calentar debajo de un horno doble, debe instalarse un tomacorriente separado de 120V, 60 HZ con adecuada conexión a tierra. Consulte las instrucciones de instalación enviadas con el cajón calentador para requisitos específicos de instalación.



## 2 E ENCASTRE PARA PUERTA FRANCESA BAJO UN MICROONDAS/ ADVANTIUM Y SOBRE UN CAJÓN PARA CALENTAR

**A.** Coloque un riel con pedestal en cada rodadura del gabinete o centrado en el lado opuesto de la parte inferior del gabinete sólido nivelado con el lateral de la abertura del gabinete. Ubique cada riel de modo que la parte frontal de los mismos se encuentre detrás del lado frontal de la abertura del gabinete.

**B.** Realice agujeros de prueba y adjunte los rieles a la rodadura o a la parte inferior del gabinete con el equipo provisto.



### 3 A DETERMINACIÓN SOBRE CUÁNDO USAR EL PEDESTAL

#### Cuándo usar el Pedestal

Al reemplazar un antiguo horno de pared doble de 30" de GE Appliances por un modelo nuevo de GE Appliances. Altura de la abertura = 51 13/16" a 51 15/16". Ésta es la altura de la abertura tradicional.

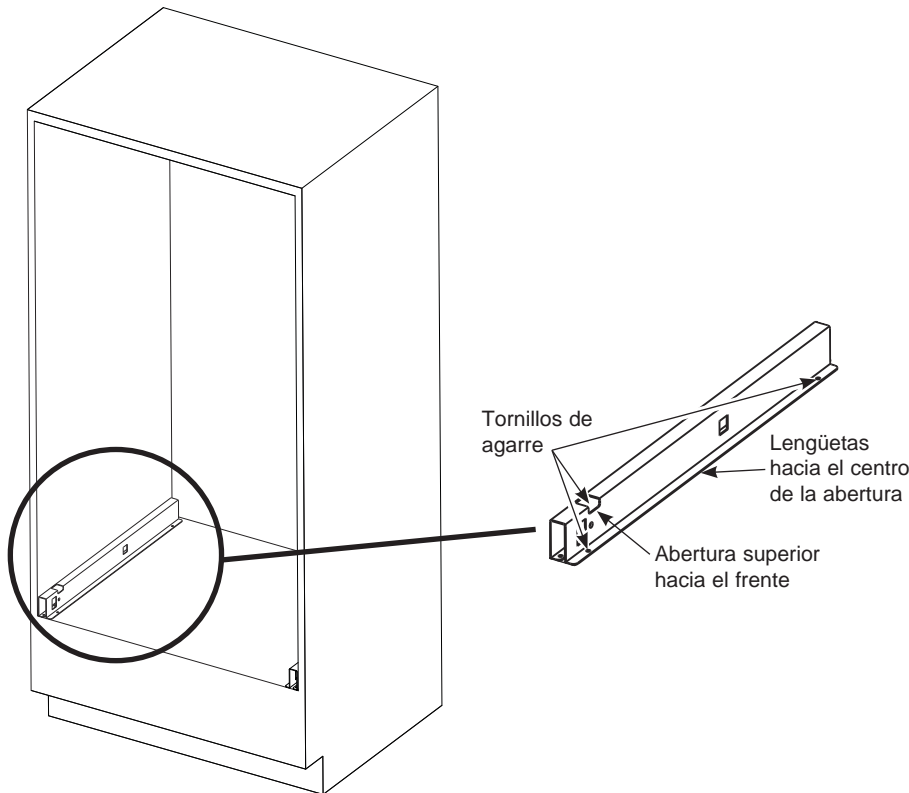
#### Cuándo NO usar el Pedestal

Al reemplazar un horno de pared doble de 30" de otro fabricante (tal como Whirlpool) por un nuevo horno de pared doble de 30" de GE Appliances. Altura de la abertura = 50 1/4". Usted deberá verificar que la abertura existente coincida con la dimensión de 50 1/4".

Si el nuevo horno de pared doble de 30" de GE Appliances está siendo instalado en una edificación nueva (es decir, no como un reemplazo), entonces se recomienda que en la instalación se use el pedestal.

### 3 B INSTALACIÓN DEL RIEL CON PEDESTAL (30" HORNOS DOBLES ÚNICAMENTE)

- Posicione los rieles del pedestal con la abertura superior hacia el frente de la abertura y las lengüetas de la parte inferior apuntando hacia el centro. Ubique cada riel sobre el piso o la corredera del gabinete, levemente hacia dentro desde el costado del gabinete. Asegúrese de que el frente de cada riel no sobresalga más allá del frente de la abertura del gabinete.
- Realice agujeros de prueba y adjunte los rieles a la rodadura o a la parte inferior del gabinete con el equipo provisto.



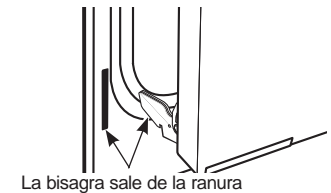
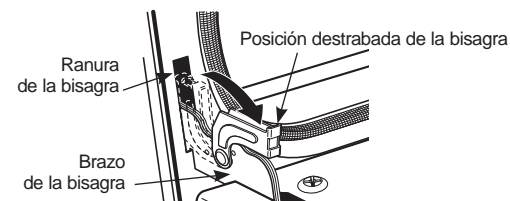
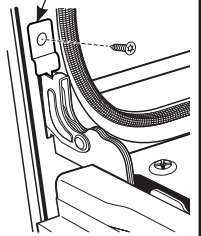
### 4 RETIRO DE LA PUERTA INFERIOR (recomendada)

**NOTA:** La remoción de la puerta no es un requerimiento de la instalación del producto, pero es una comodidad adicional.

**Para retirar la puerta inferior del horno:**

- Abra la puerta del horno en su totalidad.
  - Retire el soporte de la bisagra, si se cuenta con el mismo, del marco frontal y déjelo a un lado. El soporte de la bisagra deberá ser reemplazado, si se cuenta con el mismo, para un funcionamiento correcto de la puerta cuando está última sea reinstalada.
  - Presione ambas trabas de la bisagra hacia abajo en dirección del marco de la puerta hasta destrabarlas. Para esto puede hacer falta un destornillador de lados planos. **¡NO LEVANTE LA PUERTA DE LA MANIJA!**
  - Coloque las manos sobre ambos lados y cierre la puerta del horno hasta la posición de remoción (aproximadamente 1"-2" [2,5 cm-5,1 cm] de la posición de cierre).
  - Levante la puerta hasta que los brazos de la bisagra hayan salido de las ranuras.
- NOTA:** La puerta del horno es muy pesada. Asegúrese de tener un agarre firme antes de levantar la puerta del horno de sus bisagras. Tenga cuidado una vez que haya quitado la puerta. No deposite la puerta sobre la manija. Esto puede provocar abolladuras o rayones.

Soporte de la Bisagra



### 5 REQUISITOS ELÉCTRICOS

#### ⚠ ADVERTENCIA

Este aparato debe contar con una adecuada conexión a tierra.

#### ⚠ ADVERTENCIA

Para prevenir un incendio o descarga eléctrica, no utilice un cable de extensión con este aparato.

#### ⚠ ADVERTENCIA

Para prevenir una descarga eléctrica, quite el fusible o abra el interruptor de circuitos antes de comenzar la instalación.

#### ⚠ ADVERTENCIA

Una conexión inadecuada de cableado doméstico de aluminio con cables de cobre puede generar un peligro eléctrico o un incendio. Sólo use conectores diseñados para unir cobre con aluminio y siga al pie de la letra el procedimiento recomendado del fabricante.

Recomendamos que un electricista calificado conecte el cableado eléctrico de su aparato. Después de la instalación, solicite al electricista que le indique cómo desconectar la energía del aparato.

Usted debe usar un sistema eléctrico de fase única de 120/208 VAC o 120/240 VAC de 60 hertzios. Si tiene una conexión con cableado de aluminio, deben utilizarse conectores adecuadamente instalados para utilizar con cableado de aluminio.

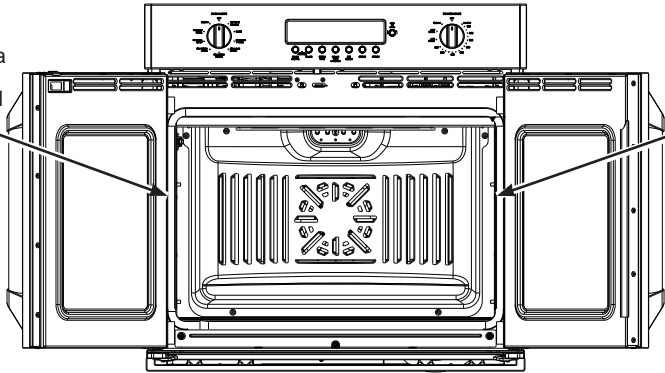
Vigente desde el 1 de enero de 1996, el Código Eléctrico Nacional requiere que las nuevas construcciones (no existentes) utilicen una conexión de cuatro conductores a un horno eléctrico. Cuando instale un horno eléctrico en una construcción nueva, una casa rodante, un vehículo recreativo o un área donde los códigos locales prohíben la conexión a tierra a través de un conductor neutral, consulte la sección sobre conexiones en circuito derivado de cuatro conductores.

Consulte a las empresas de servicio público sobre los códigos eléctricos que se aplican en su área. No realizar el cableado de su horno de acuerdo con los códigos vigentes puede provocar una situación peligrosa. Si no existen códigos locales, el cableado y fusibles de su horno deben cumplir con el Código Eléctrico Nacional, NFPA N° 70, última edición, disponible en National Fire Protection Association (Asociación Nacional de Protección contra Incendios).

## 5 REQUISITOS ELÉCTRICOS (CONT.)

Este aparato debe recibir el voltaje y frecuencia adecuados, y debe conectarse a un circuito derivado individual con adecuada conexión a tierra, protegido por un interruptor de circuitos o fusible. Ver la placa de clasificación ubicada en el armazón del horno para determinar la clasificación del producto.

La placa de clasificación está ubicada sobre el borde lateral izquierdo



La Información del Electrodoméstico Conectado está ubicada sobre el reborde lateral derecho

Utilice la tabla de abajo para determinar la protección de circuito dedicado mínima recomendada:

Clasificación de KW 240V	Clasificación de KW 208V	Tamaño de circuito recomendado (dedicado)
≤4.8 KW	≤4.1 KW	20 Amp
4.9 KW–7.2 KW	4.2 KW–6.2 KW	30 Amp
7.3 KW–9.6 KW	6.3 KW–8.3 KW	40 Amp
9.7 KW–12.0 KW	8.4 KW–10.4 KW	50 Amp

NO acorte el conducto flexible. La abrazadera del alivio de tensión del conducto debe estar bien sujeta a la caja de conexiones y el conducto flexible debe estar bien sujeto a la abrazadera. Si el conducto flexible no entra dentro de la abrazadera, no instale el horno hasta obtener una abrazadera del tamaño adecuado.

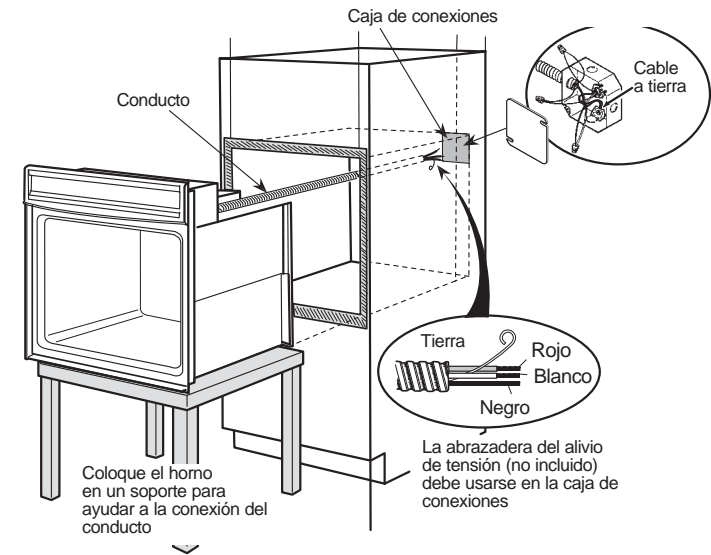
Los 3 cables de energía suministrados con este aparato son adecuados para conexiones con cableados domésticos de calibre mayores. La aislación de estos 3 cables está clasificada a temperaturas mucho más elevadas que la clasificación del cableado doméstico. La capacidad de transmitir corriente del conductor está determinada por el calibre del cable y la clasificación de temperatura de la aislación alrededor del cable.

## 6 REALICE LAS CONEXIONES ELÉCTRICAS

### ADVERTENCIA

Desconecte la energía del panel de servicio y bloquee los medios de desconexión para evitar el accionamiento de la energía de manera accidental. Cuando los medios de desconexión de servicio no pueden bloquearse, coloque sobre el panel de servicio un dispositivo de advertencia bien visible, como una etiqueta.

Coloque el horno sobre una mesa o plataforma en forma nivelada con la abertura. En un horno con Puerta Francesa, la plataforma debe soportar 220 lbs. (98,8 kg). Conecte el conducto flexible a la caja de conexiones eléctrica como se indica abajo\*. Posicione el conducto de modo tal que se apoye detrás de la unidad en un círculo natural cuando el horno sea instalado. Tendrá que comprar una abrazadera para alivio de tensión apropiada para completar la conexión del conducto a la caja de conexiones.



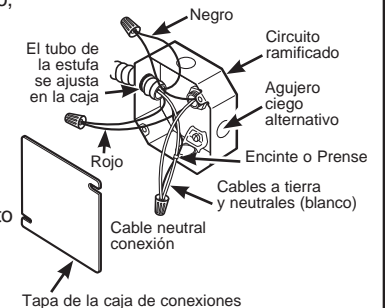
\*Los hornos vienen equipados con un conducto de 40" de longitud. Si desea un conducto más largo, puede haber uno disponible para su modelo. Para verificar la disponibilidad o solicitar piezas, llame a GE Appliances al 800.GE.CARES (800.432.2737).

## 7 CONEXIÓN DE CIRCUITO DERIVADO DE TRES CONDUCTORES

**NOTA:** Si los cables del hogar poseen conductores de aluminio, ver la ADVERTENCIA de la sección 3, Requisitos eléctricos.

Cuando conecte un circuito derivado de tres conductores, si lo permiten los códigos locales:

- Conecte el conductor de conexión a tierra junto con el cable neutro (blanco) al neutro del circuito de empalmes (de color blanco o gris), usando una tuerca para cables.
- Conecte el cable rojo del horno al cable rojo del circuito derivado y el cable negro del horno al cable negro del circuito derivado de acuerdo con los códigos locales, utilizando tapones de alambre.
- Instale una abrazadera adecuada de alivio de tensión.
- Instale la tapa de la caja de conexiones.

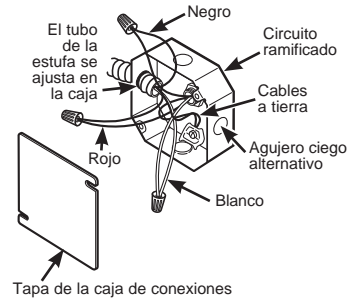


## 8 CONEXIÓN DE CIRCUITO DERIVADO DE CUATRO CONDUCTORES

**NOTA:** Si los cables domésticos o de conexión a tierra son conductores de aluminio, ver la ADVERTENCIA de la sección 3, Requisitos eléctricos.

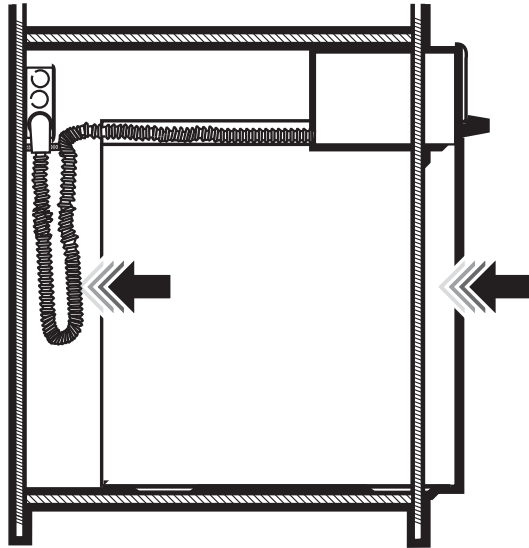
Cuando conecte un circuito derivado de cuatro conductores, si lo permiten los códigos locales:

- Evite que el conductor neutro (blanco) quede enredado con cualquier otro cable. De ser necesario, corte el conductor neutro (blanco) y luego vuelva a pelar el mismo, a fin de exponer la longitud adecuada del conductor.
- Conecte el cable a tierra del artefacto (verde o cobre) de acuerdo con los códigos locales.
- Conecte el cable neutral (blanco) del horno con el neutral de circuito derivado (blanco o gris) de acuerdo con códigos locales, utilizando un tapón de alambre.
- Conecte el cable rojo del horno al cable rojo del circuito derivado y el cable negro del horno al cable negro del circuito derivado de acuerdo con los códigos locales, utilizando tapones de alambre.
- Instale una abrazadera adecuada de alivio de tensión.
- Instale la tapa de la caja de conexiones.



## 9 DESLICE EL HORNO DENTRO DE LA ABERTURA

- Levante el horno dentro de la abertura del gabinete utilizando el horno abierto como agarre. Con cuidado empuje contra el armazón frontal del horno. No presione sobre los bordes externos.

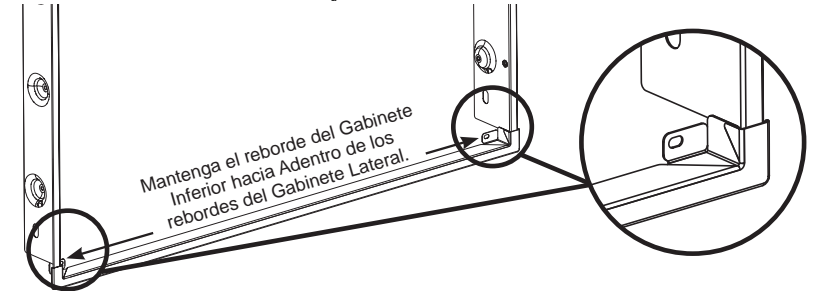
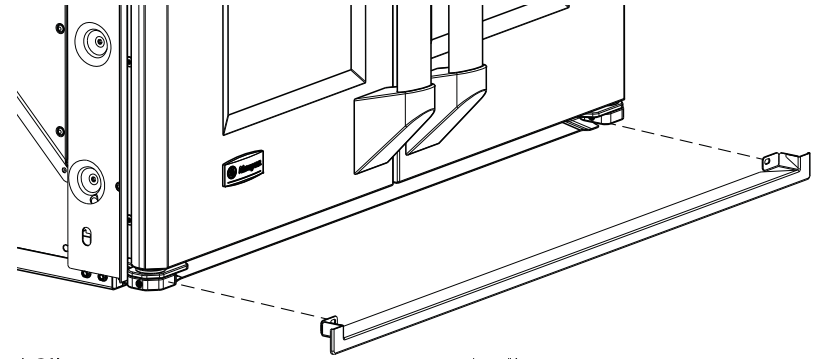


## 10 INSTALACIÓN DEL REBORDE INFERIOR

### Horno Individual

- Una vez instalado el horno, adjunte el borde inferior a través de sus agujeros de montaje frente al soporte vertical, utilizando los dos tornillos con cabeza recortada provistos. El labio de la cubierta inferior deberá ser ubicado debajo de la brida de la parte inferior del conducto de aire.

#### Instalaciones SWO



Tenga cuidado al deslizar la unidad nuevamente hacia adentro, luego de la instalación en el reborde inferior. El instalador se debe asegurar de que el reborde no atrape el extremo del gabinete y se doble. Además, el instalador se debe asegurar de que el gabinete mismo no sea dañado mientras la unidad es deslizada nuevamente hasta su posición.

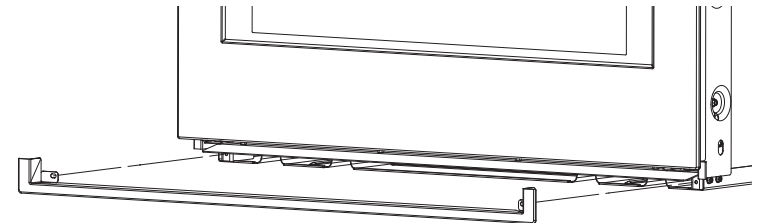
### ⚠ ADVERTENCIA

No deslice el horno hacia afuera más allá de la dimensión establecida; la unidad se podrá volcar y caer generando lesiones y daños graves.

### Horno Doble

Una vez instalado el horno, adjunte el borde inferior a través de sus agujeros de montaje frente al soporte vertical, utilizando los dos tornillos con cabeza recortada provistos. El labio de la cubierta inferior deberá ser ubicado debajo de la brida de la parte inferior del conducto de aire.

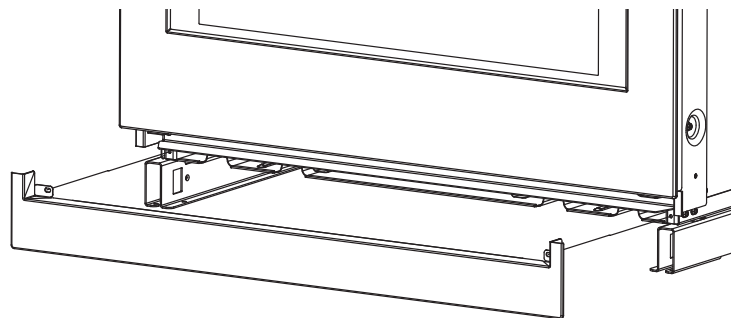
#### Instalaciones sin Pedestal



## 10 INSTALACIÓN DEL REBORDE INFERIOR (Cont.)

Horno Doble (Cont.)

Instalaciones con Pedestal



**IMPORTANTE:** Si esta unidad alguna vez se quita del gabinete o si el horno se quita de servicio, el reborde inferior debe quitarse antes o el reborde sufrirá daños.

## 11 INSTALE EL HORNO

### ⚠ ADVERTENCIA

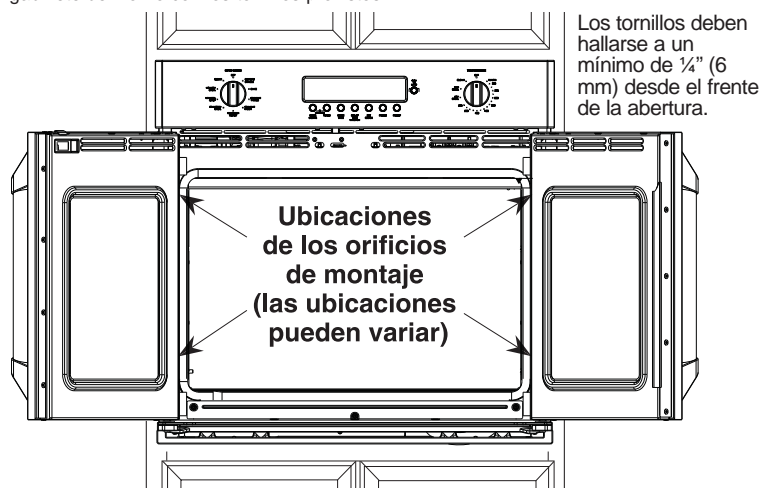
Deben utilizarse tornillos de montaje. Si no lo hace, el horno puede caer del gabinete, lo que provocaría una lesión grave.

**NOTA:** Durante el montaje del horno, asegúrese de que no haya daños sobre la junta del horno, que alinea el extremo de la cavidad del horno.

**NOTA:** Antes de perforar los orificios piloto, asegúrese de que el horno se encuentre en la posición final de la abertura y centrado.

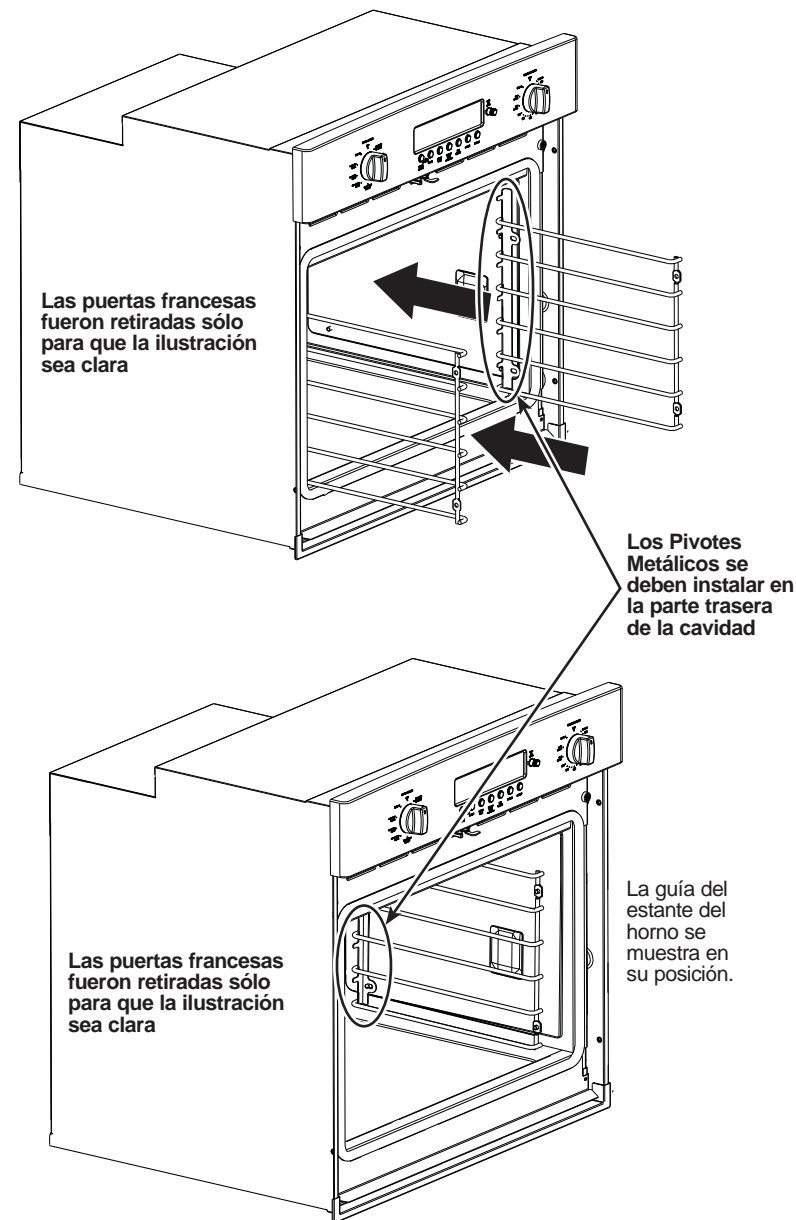
**NOTA:** Si el gabinete es de placa de partículas, deben utilizarse tornillos #8 x 3/4" para dicho material. Éstos pueden adquirirse en cualquier ferretería.

- Perfore a través de los orificios de montaje (superiores e inferiores) del reborde lateral para los tornillos de montaje #8 provistos.
- Asegure el gabinete del horno con los tornillos provistos.



## 12 GUÍA DE INSTALACIÓN DE LA ESTANTERÍA DEL HORNO (SI CORRESPONDE)

- Ubique el equipo de montaje de la guía del horno incluida.
- Posicione el conducto de modo tal que se apoye detrás de la unidad en un círculo natural cuando el horno sea instalado.
- Instale las guías usando las 8 tuercas de montaje provistas.



Algunos modelos cuentan con manijas a medida. Por favor, siga las instrucciones para una correcta instalación de las manijas.

## 13 MECANISMO DE AJUSTE DE LA PUERTA

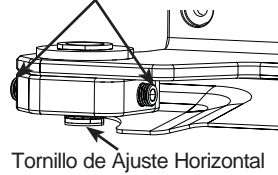
El Mecanismo de Ajuste de la Puerta se encuentra ubicado tanto en la puerta derecha como en la izquierda, en las bisagras inferiores. Sólo el lado izquierdo del Mecanismo de Ajuste es mostrado en este manual.

**NOTA:** Ajuste las puertas hacia adentro, sólo hasta que la brecha central esté pareja. Un ajuste excesivo puede dañar los cierres herméticos centrales y dificultar la apertura de las puertas.

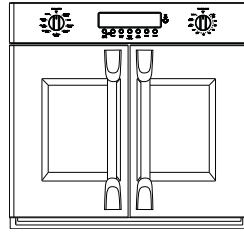
**A.** Utilizando una Llave Hexagonal de 3/16", ajuste el Tornillo de Ajuste Vertical, a fin de ajustar la puerta hacia arriba y ajustar la misma hacia abajo.

**B.** Los Tornillos de Ajuste Horizontal hacen que la puerta pivote en torno a un eje. Utilizando una Llave Hexagonal de 1/8", afloje ambos tornillos, y luego ajuste el tornillo adecuado para pivotar la puerta. Una vez que la puerta esté colocada, verifique que ambos tornillos estén ajustados.

Tornillos de Ajuste Horizontal

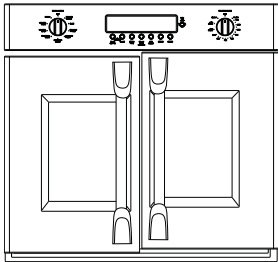


Tornillo de Ajuste Horizontal



### EJEMPLOS EXAGERADOS DEL AJUSTE DE LA PUERTA IZQUIERDA

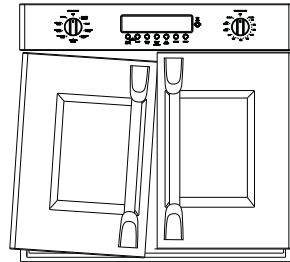
**Ejemplo 1:** Puerta izquierda baja, brecha central pareja.



Pasos para el ajuste:

- Ajuste el Tornillo de Ajuste Vertical.
- Si la puerta izquierda aún está baja, afloje el Tornillo de Ajuste Vertical derecho.

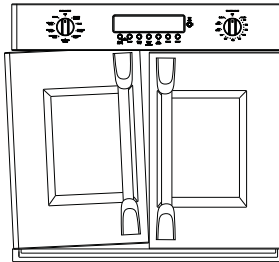
**Ejemplo 2:** Puerta izquierda baja, brecha central más grande en la parte inferior.



Pasos para el ajuste:

- Afloje la parte interna del Tornillo de Ajuste Horizontal.
- Ajuste el Tornillo de Ajuste Horizontal externo hasta que la brecha central esté pareja.
- Si la puerta izquierda aún está baja, ajuste el Tornillo de Ajuste Vertical izquierdo.
- Ajuste el Tornillo de Ajuste Horizontal interno.

**Ejemplo 3:** Puerta izquierda alta, brecha central más grande en la parte superior.



Pasos para el ajuste:

- Afloje el Tornillo de Ajuste Horizontal externo.
- Ajuste el Tornillo de Ajuste Horizontal externo hasta que la brecha central esté pareja.
- Si la puerta izquierda aún está baja, ajuste el Tornillo de Ajuste Vertical izquierdo.
- Ajuste el Tornillo de Ajuste Horizontal interno.

## 14 REEMPLAZO DE LA PUERTA INFERIOR DEL HORNO

**NOTA:** La puerta del horno es pesada. Puede necesitar ayuda para levantar la puerta lo suficiente como para deslizarla dentro de las ranuras de la bisagra. No levante la puerta de la manija.

**A.** Levante la puerta del horno tomándola de ambos lados.

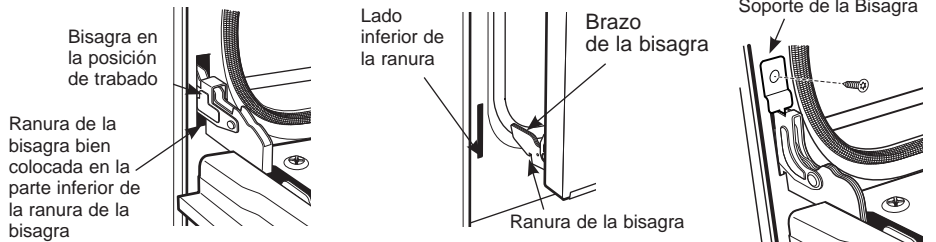
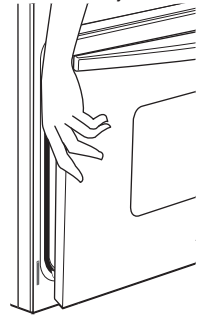
**B.** Con la puerta en el mismo ángulo de la posición de remoción (aproximadamente 1"-2" [2,5 cm-5,1 cm] desde la posición de cerrado), introduzca la muesca del brazo de la bisagra dentro del extremo inferior de la ranura de la bisagra. La ranura del brazo de la bisagra debe estar bien colocada en la parte inferior de la ranura.

**C.** Abra la puerta por completo. Si la puerta no se abre por completo, la muesca no está bien colocada en el extremo inferior de la ranura.

**D.** Presione las trabas de la bisagra hacia arriba contra el armazón frontal de la cavidad del horno, hasta alcanzar la posición de trabado.

**E.** Reemplace el soporte de la bisagra, si se cuenta con el mismo, para asegurar el correcto funcionamiento de la puerta.

**F.** Cierre la puerta del horno.



## 15 LISTA DE CONTROL FINAL DE LA INSTALACIÓN

- Verifique que el interruptor de circuitos se encuentre cerrado (RESET) o que los fusibles del circuito se hayan reemplazado.
- Asegúrese de que haya suministro eléctrico en el edificio.
- Controle que se haya quitado todo el material de empaque y la cinta adhesiva. No quitar estos materiales puede provocar daños al electrodoméstico una vez que el aparato se haya encendido y las superficies se hayan calentado.
- Quite todos los elementos ubicados dentro del horno.
- Asegúrese de que los tornillos de montaje se encuentren instalados y nivelados con el reborde lateral (ver sección 10).
- Verifique que el reborde inferior esté bien instalado (consulte sobre la Instalación del Reborde Inferior).
- Asegúrese de que la abertura inferior del conducto de aire de la unidad esté libre de obstrucciones.
- Controle que las guías de los estantes del horno (si corresponde) estén instaladas de forma correcta y que los estantes del horno funcionen de forma fluida.
- Si corresponde, instale las manijas siguiendo las instrucciones de instalación de las mismas y controle que ambos extremos se encuentren asegurados.

### LISTA DE CONTROL DE FUNCIONAMIENTO

- Accione la energía del horno (consulte el Manual del propietario). Verifique que las unidades de horneado y asado y que todas las funciones de cocción operen bien.
- Ver el Manual del propietario para la lista de detección y solución de problemas.
- Asegúrese de que todos los controles del horno se encuentren en OFF (apagado) antes de dejar el horno.
- Abra la puerta completamente y asegúrese de que haya suficiente espacio alrededor de los gabinetes y las mesadas.