



Built-In Electric WALL OVEN

SAFETY INFORMATION 3

USING THE OVEN

Single Wall Oven Controls 6

Double Wall Oven Controls 7

Special Features 8

Sabbath Mode 9

Oven Racks 10

Aluminum Foil and Oven Liners 10

Cookware 10

Cooking Modes 11

Cooking Guide 12

CARE AND CLEANING

Oven 13

Oven Light 14

Oven Door 15

TROUBLESHOOTING TIPS 16

LIMITED WARRANTY 18

ACCESSORIES 19

CONSUMER SUPPORT 20

OWNER'S MANUAL

- JKS3000 - 27" Single Wall Oven
- JTS3000 - 30" Single Wall Oven
- JKD3000 - 27" Double Wall Oven
- JTD3000 - 30" Double Wall Oven

ENGLISH / FRANÇAIS / ESPAÑOL

Write the model and serial numbers here:

Model # _____

Serial # _____

You can find them on a label on the side trim or on the front of the (lower) oven behind the oven door.

THANK YOU FOR MAKING GE APPLIANCES A PART OF YOUR HOME.

Whether you grew up with GE Appliances, or this is your first, we're happy to have you in the family.

We take pride in the craftsmanship, innovation and design that goes into every GE Appliances product, and we think you will too. Among other things, registration of your appliance ensures that we can deliver important product information and warranty details when you need them.

Register your GE appliance now online. Helpful websites and phone numbers are available in the Consumer Support section of this Owner's Manual. You may also mail in the pre-printed registration card included in the packing material.



IMPORTANT SAFETY INFORMATION

READ ALL INSTRUCTIONS BEFORE USING THE APPLIANCE

⚠ WARNING Read all safety instructions before using the product. Failure to follow these instructions may result in fire, electrical shock, serious injury or death.

⚠ WARNING GENERAL SAFETY INSTRUCTIONS

- Use this appliance only for its intended purpose as described in the Owner's Manual.
 - Be sure your appliance is properly installed and grounded by a qualified installer in accordance with the provided installation instructions.
 - Do not attempt to repair or replace any part of your oven unless it is specifically recommended in this manual. All other servicing should be performed by a qualified technician.
 - Before performing any service, disconnect the power supply at the household distribution panel by removing the fuse or switching off the circuit breaker.
 - If the heating element in the appliance develops a glowing spot or shows other signs of damage, do not use that area of the appliance. A glowing spot indicates the element may fail and present a potential burn, fire, or shock hazard. Turn the appliance off immediately and have heating element replaced by a qualified service technician.
 - Be sure all packing materials are removed from the appliance before operating to prevent ignition of these materials.
 - Avoid scratching or impacting glass doors or control panels. Doing so may lead to glass breakage.
 - Do not cook on a product with broken glass. Shock, fire, or cuts may occur.
 - Do not leave children alone—children should not be left alone or unattended in an area where an appliance is in use. They should never be allowed to climb, sit or stand on any part of the appliance.
- ⚠ CAUTION** Do not store items of interest to children in cabinets above an appliance - children climbing on the oven to reach items could be seriously injured.
- Never use your appliance for warming or heating the room.
 - Use only dry pot holders—moist or damp pot holders on hot surfaces may result in burns from steam. Do not let pot holders touch hot heating elements. Do not use a towel or other bulky cloth in place of pot holders.
 - Do not touch the burners, griddles (on some models), grates (on some models), the cooktop or oven heating elements, or the interior surface of the oven. These surfaces may remain hot enough to burn for an extended period of time following cooking, even though they no longer appear to be on or hot.
 - During and after use, do not touch, or let clothing or other flammable materials contact any interior area of the oven; allow sufficient time for cooling first. Other surfaces of the appliance may become hot enough to cause burns. Potentially hot surfaces include burners or heating elements, grates (on some models), cooktop surface, oven vent openings, surfaces near the openings, crevices around the oven door, metal trim parts above the door, any backguard, or shelves located above cooking surface.
 - Do not use any type of foil or liner to cover the bottom of the oven or anywhere in the oven, except as described in the Owner's Manual. Oven liners can trap heat or melt, resulting in damage to the product and risk of shock, smoke or fire.
 - Do not heat unopened food containers. Pressure could build up and the container could burst, causing an injury.
 - Cook food thoroughly to help protect against foodborne illness. Minimum safe food temperature recommendations are provided by the USDA and FDA. Use a food thermometer to take food temperatures and check several locations.

READ AND SAVE THESE INSTRUCTIONS

IMPORTANT SAFETY INFORMATION

READ ALL INSTRUCTIONS BEFORE USING THE APPLIANCE

▲WARNING KEEP FLAMMABLE MATERIALS AWAY FROM THE OVEN

Failure to do so may result in fire or personal injury.

- Do not store or use flammable materials in an oven, including paper, plastic, pot holders, linens, wall coverings, curtains, drapes and gasoline or other flammable vapors and liquids.
- Never wear loose-fitting or hanging garments while using the appliance. These garments may ignite if they contact hot surfaces, causing severe burns.
- Do not let cooking grease or other flammable materials accumulate in or near the oven. Grease in the oven or near the oven may ignite.
- Do not store any flammable materials or temperature sensitive items inside of or on the appliance.
- Clean ventilating hoods frequently. Grease should not be allowed to accumulate on the hood or filter.
- **Remote Operation** - This appliance is configurable to allow remote operation at any time. Do not store any flammable materials or temperature sensitive items inside of the appliance.

▲WARNING IN THE EVENT OF A FIRE, TAKE THE FOLLOWING STEPS TO PREVENT INJURY AND FIRE SPREADING

- Do not use water on grease fires. Never pick up a flaming pan. Turn the controls off. Smother a flaming pan on a surface unit by covering the pan completely with a well-fitting lid, cookie sheet or flat tray. Use a multi-purpose dry chemical or foam-type fire extinguisher.
- If there is a fire in the oven during baking, smother the fire by closing the oven door and turning the oven off or by using a multi-purpose dry chemical or foam-type fire extinguisher.
- If there is a fire in the oven during self-clean, turn the oven off and wait for the fire to go out. Do not force the door open. Introduction of fresh air at self-clean temperatures may lead to a burst of flame from the oven. Failure to follow this instruction may result in severe burns.

▲WARNING OVEN SAFETY INSTRUCTIONS

- Stand away from the appliance when opening the oven door. Hot air or steam which escapes can cause burns to hands, face and/or eyes.
- Do not use the oven if a heating element develops a glowing spot during use or shows other signs of damage. A glowing spot indicates the heating element may fail and present a potential burn, fire, or shock hazard. Turn the oven off immediately and have the heating element replaced by a qualified service technician.
- Keep the oven vent unobstructed.
- Never place cooking utensils, pizza or baking stones, or any type of foil or liner on the oven floor. These items can trap heat or melt, resulting in damage to the product and risk of shock, smoke or fire.
- Place oven racks in desired location while oven is cool. If rack must be moved while oven is hot, be careful to avoid touching hot surfaces and do not let pot holder contact hot heating element in oven.
- Do not leave items such as paper, cooking utensils or food in the oven when not in use. Items stored in an oven can ignite.
- Do not leave items on the cooktop near the oven vent. Items may overheat resulting in a risk of fire or burns.
- Never broil with the door open.
- Keep the oven free from grease buildup. Grease in the oven may ignite.
- When using cooking or roasting bags in the oven, follow the manufacturer's directions.
- **SHOCK OR BURN HAZARD:** Before replacing oven light bulb, disconnect the electrical power to the appliance at the main fuse or circuit breaker panel. Failure to do so may result in electric shock or burn.
- **▲CAUTION BURN HAZARD:** The glass cover and bulb should be removed when cool. Touching hot glass with bare hands or a damp cloth can cause burns.
- Do not use any type of foil or liner to cover the oven bottom or anywhere in the oven, except as described in the Owner's Manual. Oven liners can trap heat or melt, resulting in damage to the product and risk of shock, smoke or fire.

READ AND SAVE THESE INSTRUCTIONS

IMPORTANT SAFETY INFORMATION

READ ALL INSTRUCTIONS BEFORE USING THE APPLIANCE

▲WARNING SELF-CLEANING OVEN SAFETY INSTRUCTIONS

The self-cleaning feature operates the oven at temperatures high enough to burn away food soils in the oven. Follow these instructions for safe operation.

- Do not touch oven surfaces during self-clean operation. Keep children away from the oven during self-cleaning. Failure to follow these instructions may cause burns.
- Before operating the self-clean cycle, remove pans, shiny metal oven racks, any aluminum foil, and other utensils from the oven. Only dark-colored porcelain-coated oven racks may be left in the oven. Failure to do so may cause damage to these items and the oven and present a potential burn or fire hazard.
- Before operating the self-clean cycle, wipe grease and food soils from the oven. Excessive amount of grease may ignite leading to smoke damage to your home.
- If the self-cleaning mode malfunctions, turn the oven off and disconnect the power supply. Have it serviced by a qualified technician.
- Do not use a protective coating to line the oven and do not use commercial oven cleaner unless certified for use in a self-cleaning oven.
- Do not clean the door gaskets. The door gaskets are essential for a good seal. Care should be taken not to rub, damage or move the gaskets.
- **IMPORTANT:** The health of some birds is extremely sensitive to the fumes given off during the self-cleaning cycle of any range. Move birds to another well-ventilated room.

The remote enable equipment installed on this oven has been tested and found to comply with the limits for a Class B digital device, pursuant to part 15 of the FCC Rules. These limits are designed to:

(a) provide reasonable protection against harmful interference in a residential installation. This equipment generates, uses and can radiate radio frequency energy and, if not installed and used in accordance with the instructions, may cause harmful interference to radio communications. However, there is no guarantee that interference will not occur in a particular installation. If this equipment does cause harmful interference to radio or television reception, which can be determined by turning the equipment off and on, the user is encouraged to try to correct the interference by one or more of the following measures:

- Reorient or relocate the receiving antenna.
- Increase the separation between the equipment and receiver.
- Connect the equipment into an outlet on a circuit different from that to which the receiver is connected.
- Consult the dealer or an experienced radio/TV technician for help.

(b) accept any interference received, including interference that may cause undesired operation of the device.

Note that any changes or modifications to the wireless communication device installed on this oven that are not expressly approved by the manufacturer could void the user's authority to operate the equipment.

PROPER DISPOSAL OF YOUR APPLIANCE

Dispose of or recycle your appliance in accordance with Federal and Local Regulations. Contact your local authorities for the environmentally safe disposal or recycling of your appliance.

How to Remove Protective Shipping Film and Packaging Tape

Carefully grasp a corner of the protective shipping film with your fingers and slowly peel it from the appliance surface. Do not use any sharp items to remove the film. Remove all of the film before using the appliance for the first time.

To assure no damage is done to the finish of the product, the safest way to remove the adhesive from

packaging tape on new appliances is an application of a household liquid dishwashing detergent. Apply with a soft cloth and allow to soak.

NOTE: The adhesive must be removed from all parts. It cannot be removed if it is baked on.

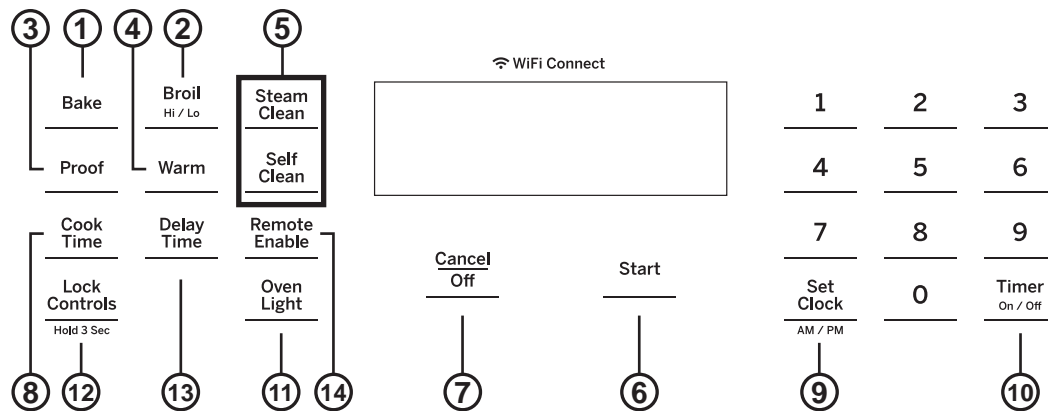
Consider recycling options for your appliance packaging material.

NOTE: Some cooking functions and features are not available until after you WiFi connect your new oven to your local wireless network. Please follow the instructions on the oven control and the WiFi & Remote Enable section of this guide. This provides capability to use SmartHQ app functions and ensures that the oven has the latest software.

READ AND SAVE THESE INSTRUCTIONS

Single Wall Oven Controls

Control button shapes are representative; your oven may have alternate button shapes.



1. **Bake:** Touch this pad to select the bake function. See the Cooking Modes section for more information.
2. **Broil:** Touch this pad to select the broil function. See the Cooking Modes section for more information.
3. **Proof:** Helps yeast bread rise. See the Cooking Modes section for more information.
4. **Warm:** Keeps hot food warm. See the Cooking Modes section for more information.
5. **Clean:** Your oven has two cleaning modes: Self Clean and Steam Clean. See the Cleaning the Oven section for important information about using these modes.
6. **Start:** Must be pressed to start any cooking, cleaning, or timed function.
7. **Cancel/Off:** Cancels ALL oven operations except the clock and timer.
8. **Cook Time:** Counts down cooking time and turns off the oven when the cooking time is complete. Initiate either a bake or warm mode, but don't press **Start**. Press the **Cook Time** pad, use the number pads to program a cooking time in hours and minutes, then press **Start**.
9. **Set Clock:** Sets the oven clock time. Press the **Set Clock** pad and the number pads to program the clock. Press **Set Clock** to toggle between AM and PM. Press **Start** to save the time.
10. **Timer:** Works as a countdown timer. Press the **Timer** pad and the number pads to program the time in hours and minutes. Press the **Start** pad. The control will beep with 1 minute remaining and the display will show seconds until the timer counts down to :00. The oven will continue to operate when the timer countdown is complete. To turn the timer off press the **Timer** pad.
11. **Oven Light(s):** Turns the oven light(s) on or off. Note that opening a door only turns on the light in that oven.
12. **Lock Controls:** Locks out the control so that pressing the pads does not activate the controls. Press and hold the **Lock Controls** pad for three seconds to lock or unlock the control. Locking the controls will cancel active functions other than the timer.

13. **Delay Time:** Delays when the oven will turn on. Use this to set a time when you want the oven to start. Initiate either a bake or self clean mode, but don't press **Start**. Press the **Delay Time** pad and use the number pads to program the time of day for the oven to turn on, then press **Start**. With bake, a cook time may also be programmed if desired. Follow the directions under Cook Time for setting this feature. This can only be used with Bake and Self-Clean.

NOTE: When using the delay time feature, foods that spoil easily—such as milk, eggs, fish, stuffings, poultry and pork—should not be allowed to sit for more than 1 hour before or after cooking. Room temperature promotes the growth of harmful bacteria. Be sure that the oven light is off because heat from the bulb will speed harmful bacteria growth.

14. Remote Enable:

CONNECTING YOUR OVEN

Off - Oven is not connected. Open the app then press and hold **Remote Enable** pad for 5 seconds to begin the connecting process.

Slow flash - Oven is in discovery mode and looking for a network.

Rapid flash - An error occurred during the connecting process.

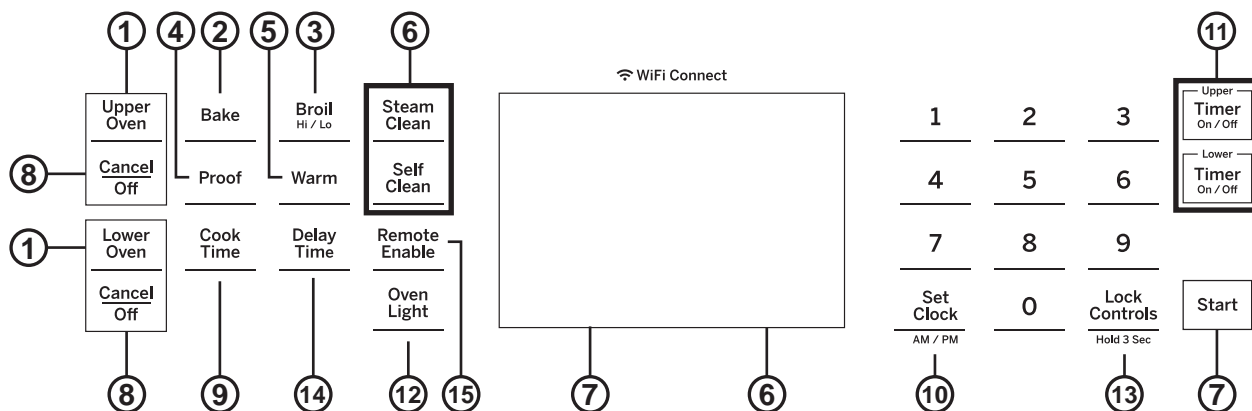
Solid - Oven is connected to the network and can be remotely controlled by a connected mobile device when in operation, but it cannot be started remotely.

REMOTE STARTING YOUR OVEN REMOTE

To be able to start the oven remotely, press the **Remote Enable** pad and the **REMOTE** icon will turn on in the display. The oven can now be remotely started with a connected device. The **REMOTE** icon must be lit to start the oven remotely. The **REMOTE** icon is not required to change the oven settings or to turn the oven off. After using the oven, remember to verify that the **REMOTE** icon is lit if you wish to start the oven remotely in the future. To disconnect your phone from Remote Enable, press the Remote Enable pad and the Remote icon will turn off.

Double Wall Oven Controls

Control button shapes are representative; your oven may have alternate button shapes.



1. **Upper Oven and Lower Oven:** Designates which oven the controls will operate.
2. **Bake:** Touch this pad to select the bake function. See the Cooking Modes section for more information.
3. **Broil:** Touch this pad to select the broil function. See the Cooking Modes section for more information.
4. **Proof:** Helps yeast bread rise. See the Cooking Modes section for more information. Note that proof cannot be run when running a clean mode in the lower oven.
5. **Warm:** Keeps hot food warm. See the Cooking Modes section for more information.
6. **Clean:** Your oven has two cleaning modes: **Self Clean** and **Steam Clean**. See the Cleaning the Oven section for important information about using these modes. Note that proof cannot be run when running a clean mode in the lower oven.
7. **Start:** Must be pressed to start any cooking, cleaning, or timed function.
8. **Cancel/Off:** Cancels ALL oven operations except the clock and timer.
9. **Cook Time:** Counts down cooking time and turns off the oven when the cooking time is complete. Initiate either a bake or warm mode, but don't press **Start**. Press the **Cook Time** pad, use the number pads to program a cooking time in hours and minutes, then press **Start**.
10. **Set Clock:** Sets the oven clock time. Press the **Set Clock** pad and the number pads to program the clock. Press **Set Clock** to toggle between AM and PM. Press **Start** to save the time.
11. **Timer:** Works as a countdown timer. Press the **Timer** pad and the number pads to program the time in hours and minutes. Press the **Start** pad. The control will beep with 1 minute remaining and the display will show seconds until the timer counts down to :00. The oven will continue to operate when the timer countdown is complete. To turn the timer off press the **Timer** pad.
12. **Oven Light(s):** Turns the oven light(s) on or off in both ovens. Note that opening a door only turns on the light in that oven.

13. **Lock Controls:** Locks out the control so that pressing the pads does not activate the controls. Press and hold the **Lock Controls** pad for three seconds to lock or unlock the control. Locking the controls will cancel active functions other than the timer.

14. **Delay Time:** Delays when the oven will turn on. Use this to set a time when you want the oven to start. Initiate either a bake or self clean mode, but don't press **Start**. Press the **Delay Time** pad and use the number pads to program the time of day for the oven to turn on, then press **Start**. With bake, a cook time may also be programmed if desired. Follow the directions under Cook Time for setting this feature. This can only be used with Bake and Self-Clean.

NOTE: When using the delay time feature, foods that spoil easily—such as milk, eggs, fish, stuffings, poultry and pork—should not be allowed to sit for more than 1 hour before or after cooking. Room temperature promotes the growth of harmful bacteria. Be sure that the oven light is off because heat from the bulb will speed harmful bacteria growth.

15. Remote Enable:

CONNECTING YOUR OVEN

Off - Oven is not connected. Open the app then press and hold **Remote Enable** pad for 5 seconds to begin the connecting process.

Slow flash - Oven is in discovery mode and looking for a network.

Rapid flash - An error occurred during the connecting process.

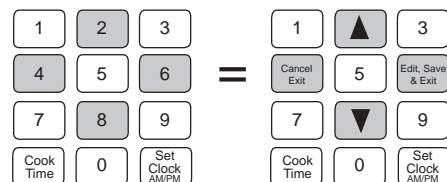
Solid - Oven is connected to the network and can be remotely controlled by a connected mobile device when in operation, but it cannot be started remotely.

REMOTE STARTING YOUR OVEN REMOTE

To be able to start the oven remotely, press the **Remote Enable** pad and the **REMOTE** icon will turn on in the display. The oven can now be remotely started with a connected device. The **REMOTE** icon must be lit to start the oven remotely. The **REMOTE** icon is not required to change the oven settings or to turn the oven off. To disconnect your phone from Remote Enable, press the **Remote Enable** pad and the **REMOTE** icon will turn off. After using the oven, remember to verify that the **REMOTE** icon is lit if you wish to start the oven remotely in the future.

Special Features

There are several different special features on your wall oven. To change the settings of these special features, press the **Bake** and **Broil** pads at the same time and hold for three seconds. "OFFSETE" ("OFFSETEP" on double ovens) will appear in the display. For each of the features below, select and edit the feature you want to change by using the **8** and **2** pads to scroll up and down, the **6** pad to edit (or **Save** and exit), and the **4** pad to return to the prior menu without saving.



Adjust the Oven Temperature (OFFSETE)

This feature allows the oven baking temperature to be adjusted up to 35°F hotter or down to 35°F cooler. Use this feature if you believe your oven temperature is too hot or too cold and wish to change it. **For double oven models, the upper and lower ovens are adjusted separately.** Do not use thermometers, such as those found in grocery stores, to check the temperature setting of your oven. These thermometers may vary 20–40 degrees. Navigate to "OFFSETE" for single ovens, "OFFSETEP" for the upper oven or "OFFSETELO" for the lower oven. Press **6** to edit the offset. "0" or a number between + and - 35 will be displayed. Press **2** to increase, **8** to decrease. -35 to +35 is the available offset range. Press **6** to save and exit. Press **4** to exit without saving.

Sound Volume (SOUND)

This feature allows the oven tone volume to be adjusted. Navigate to "SOUND" and press **6** to view or change the current setting. Scrolling through allows you to hear each volume level.

End of Timer Signals (ENDTONE)

This is the tone that signals the end of a timer. The tone can be continuous "CONTBEEP" or one repeating beep "BEEP". A continuous setting will continue to sound a tone until a button on the control is pressed. Navigate to "ENDTONE" and press **6** to view or change the current setting.

Fahrenheit or Celsius Temperature Display (UNITDEG)

The oven control is set to use Fahrenheit temperatures (F), but you can change it to use Celsius temperatures (C). Navigate to "UNITDEG" and press **6** to view or change the current setting.

Clock Display (CLOCKDISP)

This feature turns the clock on or off in the display. Navigate to "CLOCKDISP" and press **6** to view or change the current setting.

Clock Configuration (CLOCKCFG)

This feature specifies how the time of day will be displayed or if no time of day will be displayed. You can select a standard 12-hour clock (12H) or 24-hour military time display (24H). Navigate to "CLOCKCFG" and press **6** to view or change the current setting.

12-Hour Shutoff (12HR)

When this feature is turned on, the oven will automatically turn off after 12 continuous hours of use. Navigate to "12HR" and press **6** to view or change the current setting.

Sabbath Mode

Sabbath mode disables the oven lights (the oven light will not turn on when the door is opened), all sounds (the control will not beep when a button is pressed), Broil, Warm, Proof, Cook Time, Timer, Clock, and Delay Time functions. Sabbath mode can only be used with Bake. This feature conforms to Jewish Sabbath requirements.

Setting the Sabbath Mode

1. Press and hold the **Bake** and **Broil** pads for 3 seconds to enter special features.
2. Press the **8** and **2** pads to scroll up and down until "SABBAH" appears in the display. Use the **6** pad to view and edit the current setting, **2** and **8** to change the setting, and **6** again to **Save**, **4** to exit the Special Features and Start Sabbath mode. (Alternately, use the **4** pad to return to the prior menu from the Sabbath menu without saving). A] [will appear in the display and the clock will not display.

Note that if you have a double wall oven, when you place the control into Sabbath mode, both ovens are now in Sabbath mode and available for cooking.

Starting a Continuous Bake

1. Press the **Bake** pad. (For double ovens, this operates the upper oven. If desiring to use Lower Oven, press **Lower Oven** and then **Bake**.)
2. If the desired temperature is 350°F, press **Start/Enter**. If a different cooking temperature is desired, use the **1** through **5** number pads to select a preset cooking temperature, then press **Start/Enter**. Refer to the graphic below to determine which pad sets the desired cooking temperature.

After a delay, a second bracket "] [" will appear in the display indicating that the oven is baking.

Temperature (°F)	1	2	3
	200	250	300
Time (hours)	4	5	6
	325	400	2h
	7	8	9
	2.5h	3h	3.5h
	Cancel	0	Start
	Off		Enter
		Lock Controls Hold 3 Sec	
		4h	

1 = 200° F, 2 = 250° F, 3 = 300° F, 4 = 325° F, 5 = 400° F

6 = 2 hours, 7 = 2.5 hours, 8 = 3 hours, 9 = 3.5 hours, 0 = 4 hours

Adjusting the Temperature

Press **Bake** (or press **Lower Oven** and then **Bake** for lower oven in a double oven unit), use the **1** through **5** number pads to select a different preset cooking temperature, and press **Start/Enter**.

Starting a Timed Bake

1. Press the **Bake** pad.
2. If the desired temperature is 350°F, use the **6** through **0** number pads to select a cooking time. If a cooking temperature other than 350°F is desired, use the **1** through **5** number pads to select a preset cooking temperature, then select the cooking time. Refer to the graphic on this page to determine which pad sets the desired cooking temperature and cooking time.
3. Press **Start/Enter**.

After a delay, a second bracket "] [" will appear in the display indicating that the oven is baking. When the cook time expires, the display will change back to a single bracket "]" indicating that the oven is no longer baking. No tone will sound when the cook time is complete.

Turning the Oven Off

To turn the oven off, press **Cancel/Off** at any time. **The oven will immediately turn off** and] [will change to] indicating that the oven has turned off.

NOTE: Each oven of a double wall oven must be turned off separately.

Exit the Sabbath Mode

To exit Sabbath mode, make sure that the oven is turned off. Press and hold the **Bake** and **Broil** pads for 3 seconds to enter special features then press **2** or **8** to scroll to "SABBAH", **6** to edit, **2** or **8** to change setting to **Off**, **6** to save settings, **4** to exit from Special Features menus. The clock will return to the display when Sabbath mode is off.

Sabbath Mode Power Outage Note

If power outage occurs during Sabbath mode the unit will remain in Sabbath mode but off when power is restored.

Oven Racks

Your oven has six rack positions. Recommended rack positions for various types of foods are provided in the Cooking Guide. Adjusting rack position is one way to impact cooking results. For example, if you would prefer darker tops on cakes, muffins, or cookies, try moving food one rack position higher. If you find foods are too brown on top try moving them down next time.

When baking with multiple pans and on multiple racks, ensure there is at least 1½" between pans to allow sufficient space for air to flow.

To avoid possible burns, place the racks in the desired position before you turn the oven on.

Traditional Flat Racks

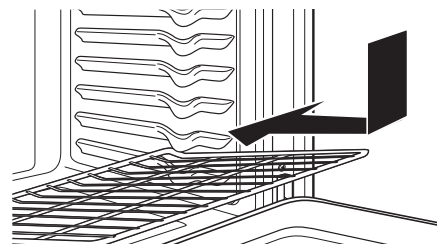
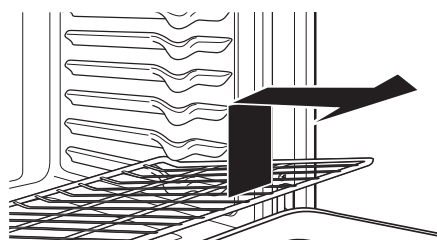
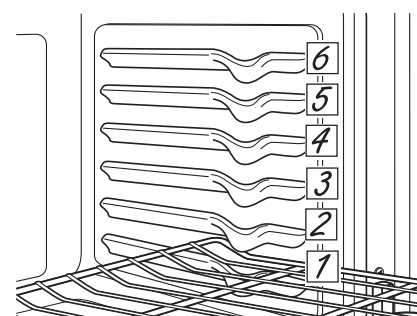
When placing and removing cookware, pull the rack out to the bump (stop position) on the rack support.

To remove a rack, pull it toward you, tilt the front end up and pull it out.

To replace, place the curved end of the rack (stop-locks) onto the oven supports, tilt up the front of the rack and push the rack in.

Racks may become difficult to slide, especially after a self-clean. Put some vegetable oil on a soft cloth or paper towel and rub onto the left and right edges of the racks.

NOTE: Using other cooking oils will cause a discoloring or a rust like color residue on the racks and cavity sides. To clean this residue, use a soap and water or a vinegar and water solution. Rinse with clean water and dry with a soft cloth.



Aluminum Foil and Oven Liners

⚠ CAUTION Do not use any type of foil or oven liner to cover the oven bottom. These items can trap heat or melt, resulting in damage to the product and risk of shock, smoke or fire. Damage from improper use of these items is not covered by the product warranty.

Foil may be used to catch spills by placing a sheet on a lower rack, several inches below the food. Do not use more foil than necessary and never entirely cover an oven rack with aluminum foil. Keep foil at least 1-1/2" from oven walls to prevent poor heat circulation.

Cookware

Cookware Guidelines

The material, finish, and size of cookware affect baking performance.

Dark, coated and dull pans absorb heat more readily than light, shiny pans. Pans that absorb heat more readily can result in a browner, crisper, and thicker crust. If using dark and coated cookware check food earlier than minimum cook time. If undesirable results are obtained with this type of cookware consider reducing oven temperature by 25° F next time.

Shiny pans can produce more evenly cooked baked goods such as cakes and cookies.

Glass and ceramic pans heat slowly but retain heat well. These types of pans work well for dishes such as pies and custards.

Air insulated pans heat slowly and can reduce bottom browning.

Keep cookware clean to promote even heating.

Cooking Modes

Your new oven has a variety of cooking modes to help you get the best results. These modes are described below. Refer to the Cooking Guide section for recommendations for specific foods. Remember, your new oven may perform differently than the oven it is replacing.

Bake

The bake mode is for baking and roasting. This mode uses heat primarily from the lower element but also from the upper element to cook food. When preparing baked goods such as cakes, cookies, and pastries always preheat the oven first. Follow recipe recommendations for food placement. If no guidelines are provided center food in the oven. To use this mode press the **Bake** pad, enter a temperature, and then press **Start**.

Proof

Proof mode is designed for rising (fermenting and proofing) bread doughs. Press the **Proof** pad and then press **Start**. Cover dough well to prevent drying out. Bread will rise more rapidly than at room temperature. Note that for double wall ovens, proof can not be run when running a self-clean mode in the other oven.

Warm

Warm mode is designed to keep hot foods hot for up to 3 hours. To use this mode, press the **Warm** pad then press **Start**. Cover foods that need to remain moist and do not cover foods that should be crisp. Preheating is not required. Do not use warm to heat cold food other than crisping crackers, chips or dry cereal. It is also recommended that food not be kept warm for more than 2 hours.

Broiling Modes

Always broil with the door closed. The broil element in this oven is very powerful. Monitor food closely while broiling. Use caution when broiling on upper rack positions as placing food closer to the broil element increases smoking, spattering, and the possibility of fats igniting. For best performance center food below the broil heating element. **Broiling on rack position 6 is not recommended.**

Try broiling foods that you would normally grill. Adjust rack positions to adjust the intensity of the heat to the food. Place foods closer to the broil element when a seared surface and rare interior is desired. Thicker foods and foods that need to be cooked through should be broiled on a rack position farther from the broiler or by using Broil Lo.

Broil Hi

The Broil Hi mode uses intense heat from the upper element to sear foods. Use Broil Hi for thinner cuts of meat and/or foods you prefer less done on the interior. To use this mode press the **Broil** pad once and then press **Start**. It is not necessary to preheat when using this mode.

Broil Lo

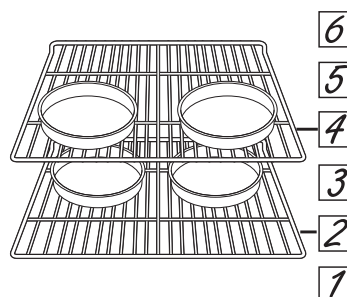
The Broil Lo mode uses less intense heat from the upper element to cook food thoroughly while also producing surface browning. Use Broil Lo for thicker cuts of meat and/or foods that you would like cooked all the way through. To use this mode press the **Broil** pad **twice** and then press **Start**. It is not necessary to preheat when using this mode.

Cooking Guide

FOOD TYPE	RECOMMENDED MODE(S)	RECOMMENDED RACK POSITION(S)	ADDITIONAL SUGGESTIONS
Baked Goods			
Layer cakes, sheet cakes, bundt cakes, muffins, quick breads on a Single Rack	Bake	3	Use shiny cookware.
Layer cakes* on Multiple Racks	Bake	2 and 4	Ensure adequate airflow (see illustration below).
Chiffon cakes (angel food)	Bake	1	Use shiny cookware.
Cookies, biscuits, scones on a Single Rack	Bake	3	Use shiny cookware.
Cookies, biscuits, scones on Multiple Racks	Bake	2 and 4	For foods like sugar cookies, switch food location partially through cooking for more even cooking results between racks. Ensure adequate airflow.
Beef & Pork			
Hamburgers	Broil Hi	5	Use a broil pan; move food down for more doneness/less searing. Watch food closely when broiling. For best performance center food below the broil heating element.
Steaks & Chops	Broil Hi	5	Use a broil pan; move food down for more doneness/less searing. Watch food closely when broiling. For best performance center food below the broil heating element.
Roasts	Bake	2	Leave uncovered, use a low sided pan such as a broil pan. Preheating is not necessary.
Poultry			
Whole chicken	Bake	2	Use a low sided pan such as a broil pan. Preheating is not necessary.
Bone-in chicken breasts, legs, thighs	Broil Lo Bake	3	Broil skin side down first. Watch food closely when broiling. For best performance when broiling, center food below the broil heating element.
Boneless chicken breasts	Broil Lo Bake	3	Move food down for more doneness/less searing and up for greater searing/browning when broiling. For best performance when broiling, center food below the broil heating element.
Whole turkey	Bake	1 or 2	Use a low sided pan such as a broil pan. Preheating is not necessary.
Turkey Breast	Bake	2	Use a low sided pan such as a broil pan. Preheating is not necessary.
Fish	Broil Lo	5 (1/2 thick or less) 4 (>1/2 inch)	Watch food closely when broiling. For best performance center food below the broil heating element.
Casseroles	Bake	3	
Frozen Convenience Foods			
Potato products, chicken nuggets, appetizers on a Single Rack	Bake	3	Use shiny cookware.
Potato products, chicken nuggets, appetizers on Multiple Racks	Bake	2 and 4	Use shiny cookware. Switch food location partially through cooking for more even cooking results.

*When baking four cake layers at a time, use racks 2 and 4. Place the pans as shown so that one pan is not directly above another.

Cook food thoroughly to help protect against food borne illness. Minimum safe food temperature recommendations for food safety can be found at IsItDoneYet.gov. Make sure to use a food thermometer to take food temperatures.



Oven

Be sure electrical power is off and all surfaces are cool before cleaning any part of the oven.

Control Panel

It's a good idea to wipe the control panel after each use. Clean with mild soap and water or vinegar and water, rinse with clean water and polish dry with a soft cloth.

Do not use abrasive cleansers, strong liquid cleansers, plastic scouring pads or oven cleaners on the control panel—they will damage the finish.

Oven Exterior

Do not use oven cleaners, abrasive cleansers, strong liquid cleansers, steel wool, plastic scouring pads, or cleaning powders on the interior or exterior of the oven. Clean with a mild soap and water or vinegar and water solution. Rinse with clean water and dry with a soft cloth. When cleaning surfaces, make sure that they are at room temperature and not in direct sunlight.

If stain on the door vent trim is persistent, use a mild abrasive cleaner and a sponge-scrubber for best results.

Spillage of marinades, fruit juices, tomato sauces and basting liquids containing acids may cause discoloration and should be wiped up immediately. Let hot surfaces cool, then clean and rinse.

Stainless Steel Surfaces (on some models)

Do not use a steel wool pad; it will scratch the surface.

To clean the stainless steel surface, use warm sudsy water or a stainless steel cleaner or polish. Always wipe the surface in the direction of the grain. Follow the cleaner instructions for cleaning the stainless steel surface.

Cleaners with oxalic acid such as Bar Keepers Friend Soft Cleanser™ will remove surface rust, tarnish and small

blemishes. Use only a liquid cleanser free of grit and rub in the direction of the brush lines with a damp, soft sponge.

To inquire about purchasing cleaning products including stainless steel appliance cleaner or polish read the Accessories sections of this manual.

Oven Interior

The interior of your new oven can be cleaned manually or by using the Steam Clean or Self Clean modes.

Spillage of marinades, fruit juices, tomato sauces and basting liquids containing acids may cause discoloration and should be wiped up immediately. Let hot surfaces cool, then clean and rinse.

Manual Cleaning

Do not use oven cleaners (unless certified for self-cleaning oven), abrasive cleaners, strong liquid cleansers, steel wool, scouring pads, or cleaning powders on the interior of the oven. Clean with a mild soap and water or vinegar and water solution. Rinse with clean water and dry with a soft cloth. When cleaning surfaces, make sure that they are at room temperature.

Steam Clean Mode

Steam clean is intended to clean small spills using water and a lower cleaning temperature than Self-Clean.

To use the Steam Clean feature, wipe grease and soils from the oven. Pour one cup of water into the bottom of the oven. Close the door. Press the **Steam Clean** pad and then press **Start**. On some models, the oven door may lock. You should not open the door during the 30 minute steam clean as this will decrease the steam clean performance. Wipe out any excess water and any remaining soil.

NOTE: Water in the bottom of the oven may be hot right after finishing the cycle.

Self Clean Mode

Read Self-Cleaning Oven Safety Instructions at the beginning of this manual before using Self Clean Mode. Self clean uses very high temperatures to clean the oven interior. The oven door will lock when using this feature. Before operating the self-clean cycle, wipe up grease and soils from the oven. Remove all items from the oven other than enameled (dark color) racks. Shiny or silver racks and any cookware or other items should all be removed from the oven before initiating a self-clean cycle. Close the door. Press the **Self Clean** pad and a default self-clean time is displayed. The clean time can be changed to any time between 3:00 and 5:00 hours by using the number pads to enter a different time and pressing **Start**. For heavily soiled ovens, the maximum 5 hour clean time is recommended. If you wish to use the default time, press the **Start** pad immediately after pressing the **Self Clean** pad. The oven will turn off automatically when the self-clean cycle is complete. The door will stay locked until the oven has cooled down. After the oven has cooled down wipe any ash out of the oven.

IMPORTANT: The health of some birds is extremely sensitive to the fumes given off during the self-cleaning cycle of any range. Move birds to another well-ventilated room.

Oven (Cont.)

Flat Racks

Flat racks that are enameled, not shiny, can be left in the cavity during self clean, or can be washed with warm, soapy water.

Racks may be more difficult to slide, especially after a self-clean. Put some vegetable oil on a soft cloth or paper towel and rub onto the left and right edges.

NOTE: Using other cooking oils will cause a discoloring or a rust like color residue on the racks and cavity sides. To clean this residue, use a soap and water or a vinegar and water solution. Rinse with clean water and dry with a soft cloth.

Oven Light

⚠ WARNING SHOCK OR BURN HAZARD: Before replacing oven light bulb, disconnect the electrical power to the oven at the main fuse or circuit breaker panel. Failure to do so may result in electric shock or burn.

⚠ CAUTION BURN HAZARD: The glass cover and bulb should be removed when cool. Touching hot glass with bare hands or a damp cloth can cause burns.

1. Disconnect power at the main fuse or circuit breaker panel.
2. Remove oven racks.
3. Slide a flat blade screwdriver or butter knife between the metal housing and the glass light cover.
NOTE: on some models there is a metal clip visibly holding the glass. The tool needs inserted between the metal housing and the clip holding the glass.
4. Support the glass light cover with two fingers to prevent the cover from falling to the bottom of the oven.
5. Gently twist the screwdriver blade or butter knife to loosen the glass light cover. Be careful not to chip the oven coating.
6. Remove the glass light cover.
7. Remove the bulb by firmly grasping and sliding the bulb straight out until the two prongs have cleared the ceramic holder.
8. Do not touch the glass of the new replacement bulb with your fingers. It will cause the bulb to fail when it lights. Grasp the replacement bulb with a clean towel or facial tissue with the prongs facing down. Align the two prongs in the ceramic holder, pressing gently until the bulb is securely in the ceramic socket.
9. Slide the protective lens into the holder and push until the clips snap into the housing.
10. Reconnect power.

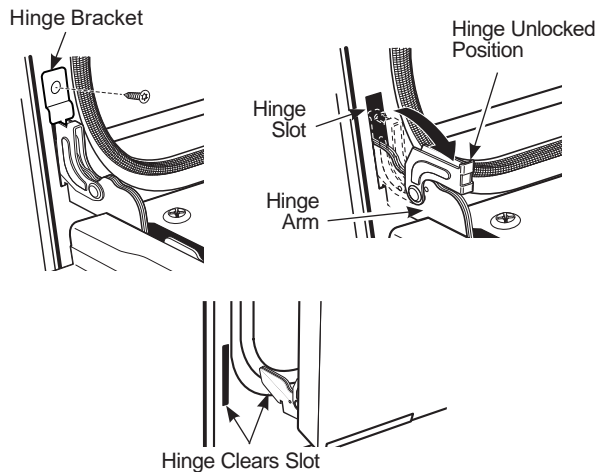
Oven Door

Oven Door Removal

NOTE: Door removal is not a requirement for installation of the product but is an added convenience.

To remove the door:

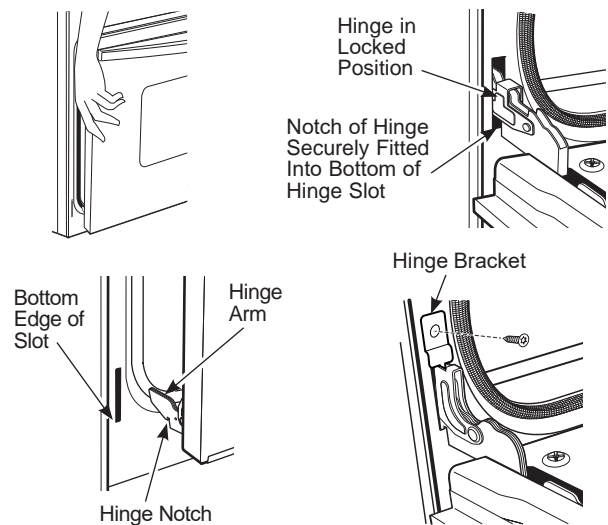
1. Open the oven door as far as it will go.
2. Remove hinge bracket (if present) from front frame and set aside. The hinge bracket must be replaced for proper door functionality when door is reinstalled.
3. Push both hinge locks down toward the door frame to the unlocked position. This may require a flat-blade screwdriver. **DO NOT LIFT THE DOOR BY THE HANDLE!**
4. Place hands on both sides of the door and close the oven door to the removal position (approximately 1"–2" [2.5 cm–5.1 cm] from the closed position).
5. Lift the door up and out until the hinge arms clear the slots. **NOTE:** The oven door is very heavy. Be sure you have a firm grip before lifting the oven door off the hinges. Use caution once the door is removed. Do not lay the door on its handle. This could cause dents or scratches.



Replacing the Oven Door

NOTE: The oven door is heavy. You may need help lifting the door high enough to slide it into the hinge slots. Do not lift the door by the handle.

1. Lift the oven door by grasping each side.
2. With the door at the same angle as the removal position (approximately 1"–2" [2.5 cm–5.1 cm] from the closed position), seat the notch of the hinge arm into the bottom edge of the hinge slot. The notch of the hinge arm must be fully seated into the bottom of the slot.
3. Fully open the door. If the door will not fully open, the indentation is not seated correctly in the bottom edge of the slot.
4. Push the hinge locks up against the front frame of the oven cavity, to the locked position.
5. Replace hinge bracket (if present). The hinge bracket must be replaced for proper door functionality.
6. Close the oven door.






Troubleshooting tips ... Before you call for service

Save time and money! Review the charts on the following pages or visit GEAppliances.com/ge/service-and-support/cookingproducts.htm for helpful articles and support videos before you call for service.

Problem	Possible Cause	What To Do
My new oven doesn't cook like my old one. Is something wrong with the temperature settings?	Your new oven has a different cooking system from your old oven and therefore may cook differently than your old oven.	For the first few uses, follow your recipe times and temperatures carefully. If you still think your new oven is too hot or too cold, you can adjust the temperature yourself to meet your specific cooking preference.
Food does not bake properly	Oven controls improperly set.	See the Cooking Modes section.
	Rack position is incorrect or rack is not level.	See the Cooking Modes section and Cooking Guide.
	Incorrect cookware or cookware of improper size being used.	See the Cookware section.
	Oven temperature needs adjustment.	See the Special Features section.
	Ingredient substitution	Substituting ingredients can change the recipe outcome.
Food does not broil properly	Oven controls improperly set.	Make sure you select the appropriate broil mode.
	Improper rack position being used.	See Cooking Guide for rack location suggestions.
	Food being cooked in a hot pan.	Make sure cookware is cool.
	Cookware not suited for broiling.	Use a pan specifically designed for broiling.
	Aluminum foil used on the broiling pan and grid has not been fitted properly and slit as recommended.	If using aluminum foil conform to pan slits.
	In some areas the power (voltage) may be low.	Preheat the broil element for 10 minutes.
Oven temperature too hot or too cold	Oven temperature needs adjustment.	See the Special Features section.
Oven does not work or appears not to work	A fuse in your home may be blown or the circuit breaker tripped.	Replace the fuse or reset the circuit breaker.
	Oven controls improperly set.	See the Using the Oven section.
	Oven is in Sabbath Mode.	Verify, that the oven is not in Sabbath Mode. See the Special Features section.
"Crackling" or "popping" sound	This is the sound of the metal heating and cooling during both the cooking and cleaning functions.	This is normal.
Why is my range making a "clicking" noise when using my oven?	Your range has been designed to maintain a tighter control over your oven's temperature. You may hear your oven's heating elements "click" on and off more frequently than in older ovens to achieve better results during baking, broiling, and self-clean cycles.	This is normal.
Clock and timer do not work	A fuse in your home may be blown or the circuit breaker tripped.	Replace the fuse or reset the circuit breaker.
Sometimes the oven takes longer to preheat to the same temperature	Cookware or food in oven	The cookware or food in the oven will cause the oven to take longer to preheat. Remove items to reduce preheat time.
	Number of racks in oven	Adding more racks to the oven will cause the oven to take longer to preheat. Remove some racks.

Troubleshooting tips ... Before you call for service

Problem	Possible Cause	What To Do
Oven light does not work	Light bulb is loose or defective.	Tighten or replace bulb.
	Pad operating light is broken.	Call for service.
Oven will not self-clean	The temperature is too high to set a self-clean operation.	Allow the oven to cool and reset the controls.
	Oven controls improperly set.	See the Cleaning the Oven section.
Excessive smoking during clean cycle	Excessive soil or grease..	Press the Cancel/Off pad. Open the windows to rid the room of smoke. Wait until the  goes off. Wipe up the excess soil and reset the clean cycle.
Excessive smoking during broiling	Food too close to burner element.	Lower the rack position of the food.
Oven door will not open after a clean cycle	Oven too hot.	Allow the oven to cool below locking temperature.
Oven not clean after a clean cycle	Oven controls improperly set.	See the Cleaning the Oven section.
	Oven was heavily soiled.	Clean up heavy spillovers before starting the clean cycle. Heavily soiled ovens may need to self-clean again or for a longer period of time.
 flashes in the display	The self-clean cycle has been selected but the door is not closed.	Close the oven door.
 is on when you want to cook	The oven door is locked because the temperature inside the oven has not dropped below the locking temperature.	Press the Cancel/Off pad. Allow the oven to cool.
“F— and a number or letter” flash in the display	You have a function error code.	Press the Cancel/Off pad. Allow the oven to cool for one hour. Put the oven back into operation.
	If the function code repeats.	Disconnect all power to the oven for at least 30 seconds and then reconnect power. If the function error code repeats, call for service.
Display goes blank	A fuse in your home may be blown or the circuit breaker tripped.	Replace the fuse or reset the circuit breaker.
	The clock is turned off.	See the Special features section.
	Oven is in Sabbath Mode.	Verify that the oven is not in Sabbath Mode. See the Special Features section.
Power outage, clock flashes	Power outage or surge	Reset the clock. If the oven was in use, you must reset it by pressing the Cancel/Off pad, setting the clock and resetting any cooking function.
“Burning” or “oily” odor emitting from the vent	This is normal in a new oven and will disappear in time.	To speed the process, set a self-clean cycle for a minimum of 3 hours. See the Cleaning the Oven section. This is temporary.
Strong odor	An odor from the insulation around the inside of the oven is normal for the first few times the oven is used.	This is temporary and will go away after several uses or a self-clean cycle.
Fan noise	A cooling fan may automatically turn on.	This is normal. The cooling fan will turn on to cool internal parts. It may run for up to 1-1/2 hours after the oven is turned off.
My oven door glass appears to be “tinted” or have a “rainbow” color. Is this defective?	No. The inner oven glass is coated with a heat barrier to reflect the heat back into the oven to prevent heat loss and keep the outer door cool while baking.	This is normal. Under certain light or angles, you may see this tint or rainbow color.
Oven will not work remotely	Router issues, no wireless signal, etc.	For assistance with oven wireless network connectivity, please call 800.220.6899.
	Oven is not connected.	

Electric Oven Limited Warranty

GEAppliances.com

All warranty service for your appliance is provided exclusively by GE Appliances, a Haier company's Factory Service Centers, or by a service technician authorized by GE Appliances to provide warranty service for your appliance. To schedule service online visit us at GEAppliances.com/service, or call GE Appliances at 800.GE.CARES (800.432.2737). In Canada, please visit: geappliances.ca/after-sales-support. Please have your serial number and your model number available when calling for service. Service that has not been scheduled or otherwise arranged for by GE Appliances will not be covered under this warranty, including any parts and/or services provided.

Servicing your appliance may require the use of the onboard data port for diagnostics. This gives a GE Appliances factory service technician the ability to quickly diagnose any issues with your appliance and helps GE Appliances improve its products by providing GE Appliances with information on your appliance. If you do not want your appliance data to be sent to GE Appliances, please advise your technician not to submit the data to GE Appliances at the time of service.

For the period of	GE Appliances will replace
One year From the date of the original purchase	Any part of the oven which fails due to a defect in materials or workmanship. During this limited one-year warranty , GE Appliances will provide, free of charge , all labor and in-home service to replace the defective part.

What GE Appliances will not cover:

- Service trips to your home to teach you how to use the product.
- Improper installation, delivery or maintenance.
- Failure of the product if it is abused, misused, modified or used for other than the intended purpose or used commercially.
- Replacement of house fuses or resetting of circuit breakers.
- Damage to the product caused by accident, fire, floods or acts of God.
- Incidental or consequential damage caused by possible defects with this appliance.
- Damage caused after delivery.
- Product not accessible to provide required service.
- Service to repair or replace light bulbs, except for LED lamps.
- Damage to finish, such as surface rust, tarnish, or small blemishes not reported within 48 hours of delivery.

EXCLUSION OF IMPLIED WARRANTIES

Your sole and exclusive remedy is product repair as provided in this Limited Warranty. Any implied warranties, including the implied warranties of merchantability or fitness for a particular purpose, are limited to one year or the shortest period allowed by law.

This limited warranty is extended to the original purchaser and any succeeding owner for products purchased for home use within the USA. If the product is located in an area where service by a GE Appliances Authorized Servicer is not available, you may be responsible for a trip charge or you may be required to bring the product to an Authorized GE Appliances Service location for service. In Alaska, the limited warranty excludes the cost of shipping or service calls to your home.

Some states do not allow the exclusion or limitation of incidental or consequential damages. This limited warranty gives you specific legal rights, and you may also have other rights which vary from state to state. To know what your legal rights are, consult your local or state consumer affairs office or your state's Attorney General.

Warrantor: GE Appliances, a Haier company

Louisville, KY 40225

Warrantor in Canada: MC Commercial, Burlington, ON, L7R 5B6

Extended Warranties: Purchase a GE Appliances extended warranty and learn about special discounts that are available while your warranty is still in effect. You can purchase it online anytime at

GEAppliances.com/extended-warranty

or call 800.626.2224 during normal business hours. GE Appliances Service will still be there after your warranty expires.

In Canada visit GEAppliances.ca/en/support/purchase-extended-warranty or call 866.277.9842.

Staple your receipt here. Proof of the original purchase date is needed to obtain service under the warranty.

Accessories

Looking For Something More?

GE Appliances offers a variety of accessories to improve your cooking and maintenance experiences!

Refer to the Consumer Support page for phone numbers and website information.

The following products and more are available:

Accessories

Small Broiler Pan (8 ¾" x 1 ¼" x 13 ½")

Large* Broiler Pan (12 ¾" x 1 ¼" x 16 ½")

XL** Broiler Pan (17" x 1 ¼" x 19 1/4")

Parts

Oven racks

27" Never Scrub Glide Rack

30" Never Scrub Glide Rack

Oven elements

Light bulbs

Cleaning Supplies

CitruShine™ Stainless Steel Wipes

Stainless Steel Appliance Cleaner

Graphite Lubricant***

*The large broiler pan does not fit in 20"/24" ranges.

**The XL broiler pan does not fit in 24" wall ovens, 27" drop ins or 20"/24" ranges.

***For use with Never Scrub glide racks.

Consumer Support

GE Appliances Website

Have a question or need assistance with your appliance? Try the GE Appliances Website 24 hours a day, any day of the year! You can also shop for more great GE Appliances products and take advantage of all our on-line support services designed for your convenience. In the US: GEAppliances.com. In Canada: GEAppliances.ca.

Register Your Appliance

Register your new appliance on-line at your convenience! Timely product registration will allow for enhanced communication and prompt service under the terms of your warranty, should the need arise. You may also mail in the pre-printed registration card included in the packing material.

In the US: GEAppliances.com/register

In Canada: Prodsupport.mabe.ca/crm/Products/ProductRegistration.aspx

Schedule Service

Expert GE Appliances repair service is only one step away from your door. Get on-line and schedule your service at your convenience any day of the year.

In the US: GEAppliances.com/service or call 800.432.2737 during normal business hours.

In Canada: GEAppliances.ca/en/support/service-request or call 800.561.3344.

Extended Warranties

Purchase a GE Appliances extended warranty and learn about special discounts that are available while your warranty is still in effect. You can purchase it on-line anytime. GE Appliances Services will still be there after your warranty expires.

In the US: GEAppliances.com/extended-warranty or call 800.626.2224 during normal business hours.

In Canada: GEAppliances.ca/en/support/purchase-extended-warranty or call 866.277.9842

Remote Connectivity

For assistance with wireless network connectivity (for models with remote enable), visit our website at GEAppliances.com/connect or call 800.220.6899 in the US.

In Canada: visit our website at GEAppliances.ca/connect or call 800.220.6899.

Parts and Accessories

Individuals qualified to service their own appliances can have parts or accessories sent directly to their homes (VISA, MasterCard and Discover cards are accepted). Order on-line today 24 hours every day.

In the US: GEApplianceparts.com or by phone at 877.959.8688 during normal business hours.

Instructions contained in this manual cover procedures to be performed by any user. Other servicing generally should be referred to qualified service personnel. Caution must be exercised, since improper servicing may cause unsafe operation.

Customers in Canada should consult the yellow pages for the nearest Mabe Service Center, visit our Website at GEAppliances.ca/en/products/parts-filters-accessories or call 800.661.1616.

Contact Us

If you are not satisfied with the service you receive from GE Appliances, contact us on our Website with all the details including your phone number, or write to:

In the US: General Manager, Customer Relations | GE Appliances, Appliance Park | Louisville, KY 40225

GEAppliances.com/contact

In Canada: Director, Customer Relations, Mabe Canada Inc. | Suite 310, 1 Factory Lane | Moncton, N.B. E1C 9M3

GEAppliances.ca/en/contact-us



FOUR ENCASTRÉ

Électrique intégré

SÉCURITÉ3

UTILISATION DU FOUR

Commandes de four mural simple6

Commandes de four mural double7

Fonctions spéciales8

Sabbat9

Grilles de four10

Papier d'aluminium et protections pour four10

Ustensiles de cuisson.....10

Modes de cuisson.....11

Guide de cuisson12

ENTRETIEN ET NETTOYAGE

Four13

Lampe du four14

Porte du four.....15

CONSEILS DE DÉPANNAGE.....16

GARANTIE LIMITÉE18

ACCESSOIRES19

SERVICE À LA CLIENTÈLE20

MANUEL DE L'UTILISATEUR

JKS3000 - Four encastré simple de 27 po (68,6 cm)

JTS3000 - Four encastré simple de 30 po (76,2 cm)

JKD3000 - Four encastré double de 27 po (68,6 cm)

JTD3000 - Four encastré double de 30 po (76,2 cm)

FRANÇAIS

Veuillez écrire ces numéros ici :

Numéro du modèle _____

Numéro de série_____

Vous pouvez les trouver sur une étiquette sur la garniture latérale ou à l'avant du four (inférieur) derrière la porte du four.

MERCI DE PERMETTRE À ÉLECTROMÉNAGERS GE DE FAIRE PARTIE DE VOTRE FOYER.

Que vous ayez grandi avec des électroménagers GE ou qu'il s'agisse de votre premier appareil GE, nous sommes heureux de vous avoir dans la famille.

Nous sommes fiers du savoir-faire, de l'innovation et du design qui font partie intégrante de tous les électroménagers GE que nous fabriquons, et nous pensons que vous le serez aussi. À cet égard, l'enregistrement de votre appareil nous assure que nous pourrons vous fournir des informations importantes sur votre appareil et des détails sur sa garantie si vous en avez besoin.

Enregistrez votre électroménager GE en ligne dès maintenant. Des sites Web et des numéros de téléphone utiles sont disponibles dans la section « Service à la clientèle » de ce manuel de l'utilisateur. Vous pouvez également envoyer par courrier la carte d'enregistrement préimprimée qui se trouve dans l'emballage de votre appareil.



GE APPLIANCES

CONSIGNES DE SÉCURITÉ IMPORTANTES

LISEZ TOUTES LES INSTRUCTIONS AVANT D'UTILISER L'APPAREIL

⚠ AVERTISSEMENT

Veillez lire toutes les consignes avant d'utiliser ce produit. Le non-respect de ces instructions pourrait entraîner un incendie, un choc électrique, une blessure grave voire la mort.

⚠ AVERTISSEMENT

CONSIGNES GÉNÉRALES DE SÉCURITÉ

- Utilisez cet électroménager uniquement aux fins mentionnées dans ce manuel d'utilisation.
 - L'installation et la mise à la terre doivent être réalisées par un installateur qualifié en conformité avec les instructions d'installation fournies.
 - Tout réglage, réparation ou entretien qui n'est pas spécifiquement recommandé dans le manuel d'utilisation doit être effectué **UNIQUEMENT** par un installateur d'électroménagers ou un technicien d'entretien qualifiés.
 - Avant d'effectuer quelque réparation, coupez l'alimentation électrique au panneau de distribution électrique du domicile en retirant le fusible ou en désarmant le disjoncteur
 - Assurez-vous que tout le matériel d'emballage est retiré de la cuisinière avant l'utilisation afin de prévenir l'inflammation de ce matériel.
 - Évitez de rayer ou de heurter les portes de verre, les tables de cuisson ou les panneaux de commande. Cela pourrait causer le bris du verre.
 - Ne cuisez pas d'aliments sur un produit dont le verre est brisé. Cela poserait un risque de décharge électrique, d'incendie ou de coupure.
 - Ne laissez pas les enfants sans surveillance - Les enfants ne doivent pas être laissés seuls ni sans surveillance dans la zone d'utilisation de l'appareil. Ils ne doivent jamais grimper, s'asseoir ou se tenir debout sur l'appareil.
- ⚠ ATTENTION** Ne rangez pas les objets d'intérêt pour les enfants dans des armoires au-dessus d'un four, les enfants grimper sur le four pour atteindre des objets pourraient être gravement blessés.
- N'utilisez jamais cet électroménager pour réchauffer ou chauffer la pièce.
 - Ne laissez personne grimper, se tenir debout ou s'accrocher à la porte du four, au tiroir ou à la table de cuisson. Cela pourrait endommager l'appareil ou le renverser et provoquer des blessures graves, voire mortelles.
 - Utilisez uniquement des mitaines de four sèches, le contact de mitaines humides ou mouillées sur des surfaces très chaudes peut causer des brûlures par la vapeur. Ne laissez pas les mitaines ou maniques isolantes toucher les éléments chauffants chauds. N'utilisez pas une serviette ou autre linge de grande taille à la place d'une poignée ou de mitaines.
 - Ne touchez pas les brûleurs, les plaques de cuisson (certains modèles), les grilles (certains modèles), la table de cuisson ou les éléments chauffants du four, ni la surface intérieure du four. Ces surfaces peuvent rester assez chaudes pour causer des brûlures, et ce, durant une longue période après la cuisson même si elles ne semblent plus être allumées ou chaudes.
 - Pendant et après l'utilisation, ne touchez pas l'intérieur du four et ne laissez pas des vêtements ou d'autres matières inflammables entrer en contact avec une zone de l'intérieur du four; laissez d'abord suffisamment de temps pour refroidir. D'autres surfaces de l'électroménager peuvent devenir suffisamment chaudes pour causer des brûlures. Les surfaces potentiellement chaudes comprennent les brûleurs ou les éléments chauffants, les grilles (certains modèles), la surface de la table de cuisson, les orifices des événements du four, les surfaces proches des ouvertures, les interstices autour de la porte du four, les pièces de garniture métalliques au-dessus de la porte, les dossierers ou les étagères situées au-dessus de la surface de cuisson.
 - Ne chauffez pas des contenants d'aliments non ouverts. L'augmentation de la pression peut faire éclater le contenant et causer des blessures.
 - Cuisez les aliments à fond pour vous prémunir contre les maladies d'origine alimentaire. Les recommandations relatives à la température alimentaire minimale et sécuritaire sont fournies par l'USDA et la FDA. Utilisez un thermomètre pour aliments et vérifiez à plusieurs endroits.
 - Gardez la hotte du ventilateur et les filtres à graisse propres afin de maintenir une bonne ventilation et prévenir les feux de graisse. **ÉTEIGNEZ** le ventilateur en cas d'incendie. La soufflante en marche peut propager les flammes.

LISEZ ET CONSERVEZ CES INSTRUCTIONS

CONSIGNES DE SÉCURITÉ IMPORTANTES

LISEZ TOUTES LES INSTRUCTIONS AVANT D'UTILISER L'APPAREIL

⚠ AVERTISSEMENT GARDER LES MATÉRIAUX INFLAMMABLES À L'ÉCART DE LA TABLE DE CUISSON

Le non-respect de ces instructions pourrait entraîner un incendie ou une blessure.

- Abstenez-vous de ranger ou d'utiliser des matériaux inflammables dans ou à proximité du four, y compris du papier, du plastique, des poignées, des nappes, des revêtements muraux, des rideaux, des stores ainsi que de l'essence ou d'autres vapeurs ou liquides inflammables.
- Ne portez jamais de vêtements amples ou pendants lors de l'utilisation de l'électroménager. Ces vêtements pourraient s'enflammer s'ils entrent en contact avec des surfaces chaudes, ce qui pourrait entraîner des brûlures graves.
- Ne laissez pas la graisse de cuisson ou d'autres matières inflammables s'accumuler dans ou à proximité du four. Ces matières pourraient prendre feu.
- Ne rangez pas des matières inflammables ou des articles sensibles à la température à l'intérieur de l'électroménager.
- Nettoyez fréquemment les hottes de ventilation. Ne laissez pas la graisse s'accumuler sur la hotte ou le filtre.
- **Fonctionnement à distance** - Cet appareil est configurable pour permettre un fonctionnement à distance à tout moment.

⚠ AVERTISSEMENT EN CAS D'INCENDIE, PRENEZ LES MESURES SUIVANTES POUR ÉVITER LES BLESSURES ET LA PROPAGATION DU FEU

- Ne versez pas d'eau sur un feu de graisse. Ne prenez jamais une casserole en flammes. Mettez les commandes à la position d'arrêt (OFF). Éteignez une casserole en flammes sur un brûleur de surface en la recouvrant complètement avec un couvercle bien ajusté, une tôle à biscuits ou un plateau plat. Utilisez un extincteur à mousse ou à poudre chimique multi-usages.
- Si un feu se déclare dans le four pendant la cuisson, étouffez-le en fermant la porte du four et en éteignant le four (OFF), ou en utilisant un extincteur à poudre sèche ou à mousse.
- (Sur certains modèles) Si un feu se déclare dans le four pendant l'autonettoyage, éteignez le four et attendez que le feu s'éteigne. Ne forcez pas l'ouverture de la porte. L'introduction d'air frais à des températures d'autonettoyage peut provoquer un jaillissement de flammes dans le four. L'omission d'observer cette instruction peut occasionner des brûlures graves.

⚠ AVERTISSEMENT CONSIGNES DE SÉCURITÉ DU FOUR

- Tenez-vous à l'écart lorsque vous ouvrez la porte du four. La vapeur ou l'air chauds qui s'échappent peuvent brûler les mains, la figure et/ou les yeux.
- Si l'élément chauffant dans l'appareil développe une tache incandescente ou montre d'autres signes de dommages, n'utilisez pas cette zone de l'appareil. Une tache incandescente indique que l'élément peut tomber en panne et présenter un risque de brûlure, d'incendie ou de décharge électrique. Éteignez immédiatement l'appareil et faites remplacer l'élément chauffant par un technicien qualifié.
- Ne bloquez pas les événements du four.
- Ne placez jamais d'ustensiles, de pierres à pizza ou de cuisson, ou tout type de papier aluminium ou de revêtement sur le plancher du four. Ces articles peuvent emprisonner la chaleur ou fondre, endommageant le produit et causant un risque de décharge électrique, d'enfumage ou d'incendie.
- Le four doit être refroidi avant de placer les grilles du four aux emplacements désirés. Si la grille doit être déplacée alors que le four est chaud, veillez à ne pas toucher les surfaces chaudes et ne laissez pas la mitaine isolante entrer en contact avec l'élément chauffant du four.
- Ne laissez pas des articles tels que du papier, des ustensiles de cuisson ou des aliments dans le four lorsqu'il n'est pas utilisé. Les articles rangés dans le four peuvent s'enflammer.
- Ne laissez pas des articles sur la table de cuisson près de l'évent du four. Les articles peuvent surchauffer et poser un risque d'incendie ou de brûlure.
- Ne grillez jamais avec la porte ouverte.
- Gardez le four exempt d'accumulation de graisse. La graisse dans le four peut prendre feu.
- Lorsque vous utilisez des sacs de cuisson ou de rôtisserie dans le four, suivez les directives du fabricant.
- **RISQUE DE DÉCHARGE ÉLECTRIQUE OU DE BRÛLURE** : Avant de remplacer l'ampoule du four, coupez l'alimentation électrique du four au fusible principal ou au panneau du disjoncteur. L'omission de prendre cette précaution peut occasionner une décharge électrique ou une brûlure.
- **⚠ ATTENTION RISQUE DE BRÛLURE** : Attendez que le couvercle de verre et l'ampoule soient refroidis avant de les retirer. Toucher du verre chaud avec les mains nues ou un linge humide peut causer des brûlures.
- N'utilisez aucun type de papier aluminium ou de revêtement pour couvrir le fond du four ou n'importe où dans le four, sauf tel que décrit dans le manuel d'utilisation. Les doublures de four peuvent emprisonner la chaleur ou fondre, endommageant le produit et causant un risque de choc électrique, d'enfumage ou d'incendie.

LISEZ ET CONSERVEZ CES INSTRUCTIONS

CONSIGNES DE SÉCURITÉ IMPORTANTES

LISEZ TOUTES LES INSTRUCTIONS AVANT D'UTILISER L'APPAREIL

▲ AVERTISSEMENT CONSIGNES DE SÉCURITÉ DU FOUR AUTONETTOYANT (Sur certains modèles)

La fonction d'autonettoyage élève la température du four à des degrés suffisants pour brûler complètement les salissures alimentaires dans le four. Suivez les instructions suivantes pour un fonctionnement sûr.

- Ne touchez pas les surfaces du four pendant le processus d'autonettoyage. Gardez les enfants à l'écart du four pendant l'autonettoyage. L'omission d'observer ces instructions peut occasionner des brûlures.
- Avant d'utiliser le cycle d'autonettoyage, retirez les casseroles, les grilles de four en métal brillant, tout papier d'aluminium et tout autre ustensile du four. Seules les grilles de four revêtues de porcelaine de couleur foncée peuvent être laissées dans le four. Le non-respect de cette consigne peut endommager ces articles et le four, et présenter un risque de brûlure ou d'incendie.
- Avant d'utiliser le cycle d'autonettoyage, essuyez la graisse et les salissures alimentaires dans le four. Une quantité excessive de graisse peut s'enflammer et causer des dommages par la fumée.
- Si le mode d'autonettoyage ne fonctionne pas bien, éteignez le four et débranchez l'alimentation électrique. Faites réparer l'appareil par un technicien qualifié.
- N'utilisez pas de nettoyeurs pour le four. Aucun nettoyeur pour four commercial ou revêtement de protection pour four de quelque sorte que ce soit ne doit être utilisé dans ou autour d'une partie du four à moins d'être certifié pour une utilisation dans un four autonettoyant.
- Ne nettoyez pas les joints d'étanchéité de porte. Ces joints sont essentiels pour garantir l'étanchéité. Veillez à ne pas frotter, endommager ou déplacer les joints.
- **IMPORTANT:** Certains oiseaux sont extrêmement sensibles aux vapeurs dégagées durant le cycle d'autonettoyage de n'importe quelle cuisinière. Placez les oiseaux dans une autre pièce, bien ventilée.

El equipo de acceso remoto instalado en este horno fue probado y cumple con los límites establecidos para un dispositivo digital de clase B, según la parte 15 de la Normativa de la FCC. Estos límites fueron diseñados para:

(a) brindar una protección razonable contra interferencias nocivas en una instalación residencial. Este equipo genera, usa y puede emitir energía de radiofrecuencia y, si no se instala y utiliza de acuerdo con las instrucciones, puede ocasionar interferencias perjudiciales en las comunicaciones de radio. Sin embargo, no se garantiza que no se presenten interferencias en una instalación en particular. Si el equipo provoca interferencias perjudiciales para la recepción de radio o televisión, lo cual puede comprobar encendiendo y apagando el equipo, se aconseja al usuario que intente corregir la interferencia con una de las siguientes medidas:

- Reoriente o reubique la antena receptora.
- Aumente la separación entre el equipo y el receptor.
- Conecte el equipo a un tomacorriente de un circuito diferente del tomacorriente al que se encuentra conectado el receptor.
- Para solicitar ayuda, consulte con el proveedor minorista o a un técnico experimentado de radio/ TV.

(b) tolerar cualquier interferencia recibida, incluyendo las interferencias que puedan provocar un funcionamiento no deseado del dispositivo.

Observe que todos los cambios o modificaciones sobre el dispositivo de comunicación inalámbrico instalado en este horno que no estén expresamente aprobados por el fabricante podrían anular la autoridad del usuario para operar el equipamiento.

MISE AU REBUT ADÉQUATE DE VOTRE ÉLECTROMÉNAGER

Veillez jeter ou recycler votre électroménager conformément aux règlements fédéraux ou locaux. Communiquez avec les instances locales pour en savoir plus sur la mise au rebut ou le recyclage de votre électroménager.

Comment retirer le film protecteur d'expédition et le ruban adhésif d'emballage

Saisissez délicatement un coin du film protecteur d'expédition avec vos doigts et le décollez lentement de la surface de l'appareil. N'utilisez pas d'objets pointus pour retirer le film. Retirez complètement le film avant d'utiliser l'appareil pour la première fois.

Pour assurer ne pas endommager la finition du produit, la façon la plus sûre pour enlever le ruban adhésif de l'emballage

sur les nouveaux appareils consiste à appliquer un détergent à vaisselle liquide à l'aide d'un chiffon doux et à laisser tremper.

REMARQUE : Tous les emballages de protection doivent être retirés de toutes les pièces. Cela sera impossible une fois cuits.

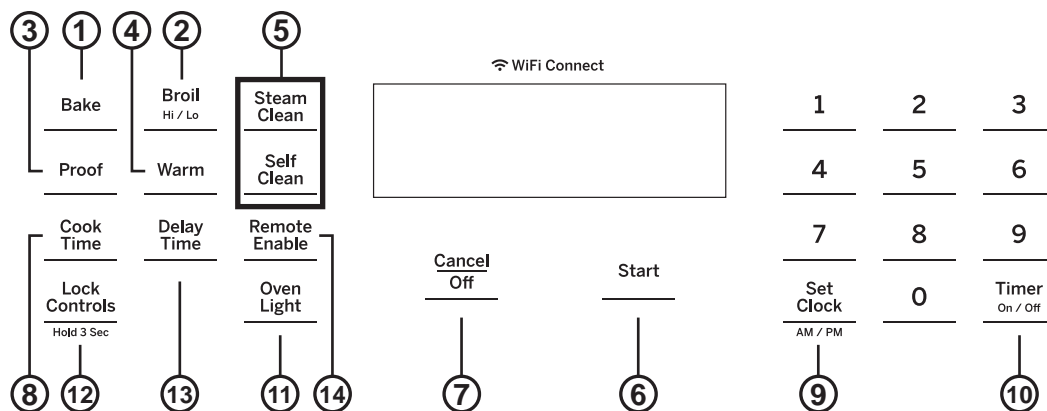
Considérez les options de recyclage des matériaux d'emballage de votre électroménager.

REMARQUE : Certaines fonctions et caractéristiques ne seront pas accessibles tant que vous n'aurez pas effectué la connexion Wi-Fi de votre nouveau four au réseau sans fil de votre maison. Veillez suivre les instructions des commandes du four et la section d'activation de la télécommande et du Wi-Fi dans ce guide. Ces dernières permettront d'utiliser les fonctions de l'application SmartHQ et d'assurer que la récente mise à jour du logiciel soit téléchargée.

LISEZ ET CONSERVEZ CES INSTRUCTIONS

Commandes de four mural simple

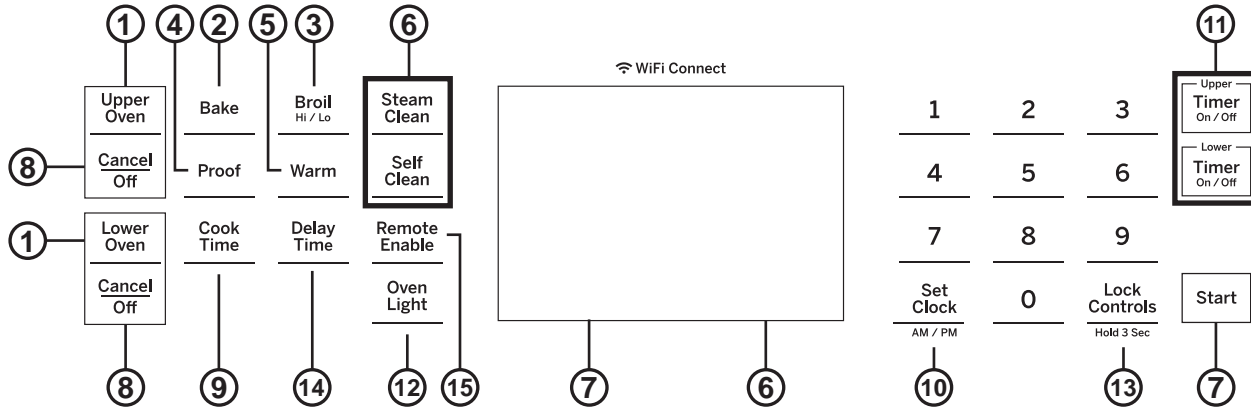
Les formes des touches de commande sont représentatives; votre four peut avoir des formes de touches différentes.



1. **Bake (cuisson)** : Appuyez sur cette touche pour sélectionner la fonction cuisson. Voyez la section Modes de cuisson pour plus d'informations.
2. **Broil (gril)** : Appuyez sur cette touche pour sélectionner la fonction gril. Voyez la section Modes de cuisson pour plus d'informations.
3. **Proof (fermentation)** : Aide la levée du pain à levure. Voyez la section Modes de cuisson pour plus d'informations.
4. **Warm (tenue au chaud)** : Garde les aliments au chaud. Voyez la section Modes de cuisson pour plus d'informations.
5. **Nettoyage** : Votre four dispose de deux modes de nettoyage : Self Clean et Steam Clean. Reportez-vous à la section Nettoyage du four pour obtenir des informations importantes sur l'utilisation de ces modes
6. **Start (Démarrer)**: Appuyez sur cette touche pour démarrer une fonction de cuisson, de nettoyage ou minutée.
7. **Annuler/Arrêter (Cancel/Off)** : Annule TOUTES les opérations du four à l'exception de l'horloge et de la minuterie.
8. **Temps de cuisson (Cook Time)** : La minuterie fait le compte à rebours du temps de cuisson et éteint le four lorsque le temps de cuisson est terminé. Lancez un mode **Bake** ou **Warm**, mais n'appuyez pas sur **Start**. Appuyez sur la touche **Cook Time**, utilisez les touches numériques pour programmer un temps de cuisson en heures et minutes, puis appuyez sur **Start**.
9. **Set Clock (réglage de l'horloge)** : Règle l'heure de l'horloge du four. Appuyez sur la touche **Set Clock** et sur les touches numériques pour programmer l'horloge. Appuyez sur **Set Clock** pour basculer entre AM et PM. Appuyez sur **Start** pour enregistrer l'heure.
10. **Minuterie (Timer)** : Fonctionne comme un compte à rebours. Appuyez sur la touche **Timer** et utilisez les touches numériques pour programmer l'heure en heures et en minutes. Appuyez sur la touche **Start**. La commande émet un bip durant 1 minute restante et l'affichage indique les secondes jusqu'à ce que le compte à rebours de la minuterie atteigne :00. Le four va continuer à fonctionner une fois le décompte terminé. Pour désactiver la minuterie, appuyez sur la touche **Timer**.
11. **Lampe du four (Oven Light)** : Allume ou éteint la lampe du four. Notez que l'ouverture d'une porte allume uniquement la lumière de ce four.
12. **Verrouillage des commandes (Lock Controls)** : Verrouille la commande de sorte qu'une pression sur les touches n'active pas les commandes. Appuyez durant 3 secondes sur la touche **Lock Controls** pour verrouiller ou déverrouiller le panneau de commande. Le verrouillage des commandes annule les fonctions actives autres que la minuterie.
13. **Délai (Delay Time)** : Retarde la mise en marche du four. Utilisez cette fonction pour régler l'heure à laquelle vous voulez que le four démarre. Lancez un mode cuisson ou un autonettoyage, mais n'appuyez pas sur **Start**. Appuyez sur **Delay Time** et utilisez les touches numériques pour programmer l'heure de mise en marche du four, puis appuyez sur **Start**. Avec **Bake**, un temps de cuisson peut également être programmé si désiré. Suivez les instructions sous **Cook Time** pour régler cette fonction. Cette fonction ne peut être utilisée qu'avec **Bake** et **Self-Clean**.
REMARQUE : Lorsque vous utilisez la fonction **Delay Time**, les aliments qui se gâtent facilement, tels que lait, œufs, poisson, farce, volaille et porc – ne doivent pas être laissés sans réfrigération plus d'une (1) heure avant ou après la cuisson. La température ambiante favorise la croissance de bactéries nocives. Assurez-vous de fermer la lampe du four car la chaleur de l'ampoule accélère la croissance des bactéries nocives.
14. **Remote Enable (contrôle à distance)** :
CONNEXION DE VOTRE FOUR
Off (arrêt) - Le four n'est pas connecté. Ouvrez l'application, puis maintenez enfoncée la touche **Remote Enable** durant 5 secondes pour commencer le processus de connexion.
Off (arrêt) - Le four n'est pas connecté. Ouvrez l'application, puis maintenez enfoncée la touche **Remote Enable** durant 5 secondes pour commencer le processus de connexion.
Clignotement rapide - Une erreur s'est produite pendant le processus de connexion.
Allumé - Le four est connecté au réseau et peut être contrôlé à distance par un appareil mobile connecté lorsqu'il est en fonctionnement, mais il ne peut pas être démarré à distance.
DÉMARRAGE À DISTANCE DE VOTRE FOUR
 REMOTE
Pour pouvoir démarrer le four à distance, appuyez sur la touche **Remote Enable** et l'icône **REMOTE** s'allume sur l'affichage. Vous pouvez maintenant démarrer le four à distance à l'aide de votre appareil connecté. L'icône **REMOTE** doit être allumée pour démarrer le four à distance. L'icône **REMOTE** n'est pas nécessaire pour modifier les réglages du four ou pour éteindre le four. Après avoir utilisé le four, n'oubliez pas de vérifier que l'icône **REMOTE** est allumée si vous souhaitez démarrer le four à distance à l'avenir. Pour déconnecter votre téléphone du contrôle à distance, appuyez sur la touche **Remote Enable** et l'icône **REMOTE** s'éteint.

Commandes de four mural double

Les formes des touches de commande sont représentatives; votre four peut avoir des formes de touches différentes.

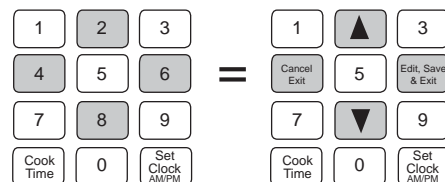


- Four supérieur et four inférieur** : Indique le four que les commandes vont contrôler.
- Bake (cuisson)** : Appuyez sur cette touche pour sélectionner la fonction cuisson. Voyez la section Modes de cuisson pour plus d'informations.
- Broil (gril)** : Appuyez sur cette touche pour sélectionner la fonction gril. Voyez la section Modes de cuisson pour plus d'informations.
- Proof (fermentation)** : Aide la levée du pain à levure. Voyez la section Modes de cuisson pour plus d'informations. Notez que la fonction de fermentation ne peut pas être exécutée lorsque le mode de nettoyage est en cours dans le four inférieur.
- Warm (tenue au chaud)** : Garde les aliments au chaud. Voyez la section Modes de cuisson pour plus d'informations.
- Nettoyage** : Votre four dispose de deux modes de nettoyage : Self Clean et Steam Clean. Reportez-vous à la section Nettoyage du four pour obtenir des informations importantes sur l'utilisation de ces modes. Notez que la fonction de fermentation ne peut pas être exécutée lorsque le mode de nettoyage est en cours dans le four inférieur.
- Démarrer (Start)** : Appuyez sur cette touche pour démarrer une fonction de cuisson, de nettoyage ou minutée.
- Annuler/Arrêter (Cancel/Off)** : Annule TOUTES les opérations du four à l'exception de l'horloge et de la minuterie.
- Temps de cuisson (Cook Time)** : La minuterie fait le compte à rebours du temps de cuisson et éteint le four lorsque le temps de cuisson est terminé. Lancez un mode Bake ou Warm, mais n'appuyez pas sur Start. Appuyez sur la touche Cook Time, utilisez les touches numériques pour programmer un temps de cuisson en heures et minutes, puis appuyez sur **Start**.
- Set Clock (réglage de l'horloge)** : Règle l'heure de l'horloge du four. Appuyez sur la touche **Set Clock** et sur les touches numériques pour programmer l'horloge. Appuyez sur Set Clock pour basculer entre AM et PM. Appuyez sur **Start** pour enregistrer l'heure.
- Minuterie (Timer)** : Fonctionne comme un compte à rebours. Appuyez sur la touche Timer et utilisez les touches numériques pour programmer l'heure en heures et en minutes. Appuyez sur la touche Start. La commande émet un bip durant 1 minute restante et l'affichage indique les secondes jusqu'à ce que le compte à rebours de la minuterie atteigne :00. Le four va continuer à fonctionner une fois le décompte terminé. Pour désactiver la minuterie, appuyez sur la touche Timer.
- Lampe(s) du four (Oven Lights)** : Allume ou éteint la lampe du four. Notez que l'ouverture d'une porte allume uniquement la lumière de ce four.

- Verrouillage des commandes (Lock Controls)** : Verrouille la commande de sorte qu'une pression sur les touches n'active pas les commandes. Appuyez durant 3 secondes sur la touche Lock Controls pour verrouiller ou déverrouiller le panneau de commande. Le verrouillage des commandes annule les fonctions actives autres que la minuterie.
- Délai (Delay Time)** Retarde la mise en marche du four. Utilisez cette fonction pour régler l'heure à laquelle vous voulez que le four démarre. Lancez un mode cuisson ou un autonettoyage, mais n'appuyez pas sur Start. Appuyez sur **Delay Time** et utilisez les touches numériques pour programmer l'heure de mise en marche du four, puis appuyez sur **Start**. Avec Bake, un temps de cuisson peut également être programmé si désiré. Suivez les instructions sous **Cook Time** pour régler cette fonction. Cette fonction ne peut être utilisée qu'avec Bake et Self-Clean.
REMARQUE : Lorsque vous utilisez la fonction Delay Time, les aliments qui se gâtent facilement, tels que lait, œufs, poisson, farce, volaille et porc – ne doivent pas être laissés sans réfrigération plus d'une (1) heure avant ou après la cuisson. La température ambiante favorise la croissance de bactéries nocives. Assurez-vous de fermer la lampe du four car la chaleur de l'ampoule accélère la croissance des bactéries nocives.
- Remote Enable (contrôle à distance) :**
CONNEXION DE VOTRE FOUR
Off (arrêt) - Le four n'est pas connecté. Ouvrez l'application, puis maintenez enfoncée la touche **Remote Enable** durant 5 secondes pour commencer le processus de connexion.
Off (arrêt) - Le four n'est pas connecté. Ouvrez l'application, puis maintenez enfoncée la touche Remote Enable durant 5 secondes pour commencer le processus de connexion.
Clignotement rapide - Une erreur s'est produite pendant le processus de connexion.
Allumé - Le four est connecté au réseau et peut être contrôlé à distance par un appareil mobile connecté lorsqu'il est en fonctionnement, mais il ne peut pas être démarré à distance.
DÉMARRAGE À DISTANCE DE VOTRE FOUR **REMOTE**
Pour pouvoir démarrer le four à distance, appuyez sur la touche **Remote Enable** et l'icône **REMOTE** s'allume sur l'affichage. Vous pouvez maintenant démarrer le four à distance à l'aide de votre appareil connecté. L'icône **REMOTE** doit être allumée pour démarrer le four à distance. L'icône **REMOTE** n'est pas nécessaire pour modifier les réglages du four ou pour éteindre le four. Après avoir utilisé le four, n'oubliez pas de vérifier que l'icône **REMOTE** est allumée si vous souhaitez démarrer le four à distance à l'avenir. Pour déconnecter votre téléphone du contrôle à distance, appuyez sur la touche Remote Enable et l'icône **REMOTE** s'éteint.

Fonctions spéciales

Votre four mural comporte plusieurs caractéristiques spéciales. Pour modifier les réglages de ces fonctions spéciales, appuyez simultanément durant trois secondes sur les touches Bake et Broil. « **BAKE** » (« **BROIL** » sur les fours doubles) apparaît sur l'affichage. Pour chacune des fonctions ci-dessous, sélectionnez la fonction que vous souhaitez modifier en utilisant les touches « 8 » et « 2 » pour faire défiler vers le haut et le bas, la touche « 6 » pour modifier (ou enregistrer et quitter) et la touche « 4 » pour revenir au menu précédent sans enregistrer.



Ajustement de la température du four (**BAKE**)

Cette fonction permet de régler la température de cuisson du four jusqu'à 35 °F plus chaud ou jusqu'à 35 °F plus froid. Utilisez cette fonction si vous pensez que la température de votre four est trop chaude ou trop froide et souhaitez la modifier. Pour les fours doubles, les fours supérieur et inférieur sont modifiés séparément. N'utilisez pas de thermomètres, comme ceux que l'on trouve dans les épiceries, pour vérifier le réglage de la température de votre four. Ces thermomètres peuvent varier de 20 à 40 degrés. Naviguez jusqu'à « **BAKE** » pour les fours simples, « **BROIL** » pour le four supérieur ou « **BROIL** » pour le four inférieur. Appuyez sur « 6 » pour modifier le décalage. « 0 » ou un nombre compris entre + et - 35 s'affiche. Appuyez sur « 2 » pour augmenter, sur « 8 » pour diminuer. -35 à +35 est la plage de décalage disponible. Appuyez sur « 6 » pour enregistrer et quitter. Appuyez sur « 4 » pour quitter sans enregistrer.

Volume sonore (**BEEP**)

Cette fonction permet de régler le volume sonore du four. Naviguez jusqu'à « **BEEP** » et appuyez sur « 6 » pour afficher ou modifier le réglage actuel. Le défilement vous permet d'entendre chaque niveau de volume.

Signaux de fin de minuterie (**END**)

Il s'agit de la tonalité qui signale la fin d'une minuterie. La tonalité peut être continue « **END** » ou un bip répétitif « **BEEP** ». Un réglage continu continuera à émettre une tonalité jusqu'à ce que vous appuyiez sur une touche de commande. Naviguez jusqu'à « **END** » et appuyez sur « 6 » pour afficher ou modifier le réglage actuel.

Affichage de la température en degrés Fahrenheit ou Celsius (**UNIT**)

La commande du four est préréglée pour utiliser des températures en degrés Fahrenheit (F) mais vous pouvez changer pour des degrés Celsius (C). Naviguez jusqu'à « **UNIT** » et appuyez sur « 6 » pour afficher ou modifier le réglage actuel.

Affichage de l'horloge (**CLOCK**)

Cette fonction active ou désactive l'horloge sur l'affichage. Naviguez jusqu'à « **CLOCK** » et appuyez sur « 6 » pour afficher ou modifier le réglage actuel.

Configuration de l'horloge (**CLOCK**)

Cette fonction spécifie comment l'heure sera affichée ou si aucune heure ne sera affichée. Vous pouvez sélectionner un affichage standard de l'heure 12 heures (**12H**) ou de l'heure militaire 24 heures (**24H**). Naviguez jusqu'à « **CLOCK** » et appuyez sur « 6 » pour afficher ou modifier le réglage actuel.

Arrêt 12 heures (**12H**)

Lorsque cette fonction est activée, le four s'éteint automatiquement après 12 heures d'utilisation continue. Naviguez jusqu'à « **12H** » et appuyez sur « 6 » pour afficher ou modifier le réglage actuel.

Sabbat

Le mode sabbat désactive les lumières du four (la lumière du four ne s'allumera pas lorsque la porte sera ouverte), tous les sons (le tableau de commande n'émettra pas de bip lorsque vous appuierez sur l'écran) des fonctions Broil, Warm, Proof, Cook Time, Timer, Clock et Delay Time. Le mode sabbat peut uniquement être utilisé en mode de cuisson au four Bake. Cette fonction satisfait les exigences relatives au sabbat de la confession juive.

Activation du mode Sabbat

- Appuyez durant 3 secondes sur les touches **Bake** et **Broil** pour accéder aux fonctions spéciales.
- Appuyez sur les touches « 8 » ou « 2 » pour faire défiler vers le haut ou le bas jusqu'à ce que « **SABBAT** » apparaisse à l'écran. Utilisez la touche « 6 » pour afficher et modifier le réglage actuel, « 2 » et « 8 » pour modifier le réglage, et « 6 » à nouveau pour enregistrer, « 4 » pour quitter les fonctions spéciales et démarrer le mode Sabbat. (Vous pouvez aussi utiliser la touche « 4 » pour revenir au menu précédent à partir du menu Sabbat sans enregistrer). « A] » apparaît à l'écran et l'horloge ne s'affiche pas.

Notez que si vous avez un four mural double, lorsque vous placez les commandes en mode Sabbat, les deux fours sont maintenant en mode Sabbat et disponibles pour la cuisson.

Démarrage d'une cuisson continue

- Press the **Bake** pad. (For double ovens, this operates the upper oven. If desiring to use Lower Oven, press **Lower Oven** and then **Bake**.)
- Si la température souhaitée est 350 °F, appuyez sur **Start/Enter**. Si une température de cuisson différente est souhaitée, utilisez les touches numériques 1 à 5 pour sélectionner une température pré-réglée, puis appuyez sur **Start/Enter**. Reportez-vous à l'illustration ci-dessous pour déterminer la touche qui règle la température de cuisson souhaitée.

Après un certain temps, un deuxième crochet «] » apparaît à l'écran pour indiquer que le four est en train de cuire.

Temperature (°F)	1	2	3
	200	250	300
Time (hours)	4	5	6
	325	400	2h
	7	8	9
	2.5h	3h	3.5h
	Cancel	0	Start
	Off		Enter
		Lock Controls Hold 3 Sec	
		4h	

1 = 200° F, 2 = 250° F, 3 = 300° F, 4 = 325° F, 5 = 400° F

6 = 2 hours, 7 = 2.5 hours, 8 = 3 hours, 9 = 3.5 hours, 0 = 4 hours

Ajustement de la température

Appuyez sur **Bake** (ou appuyez sur **Lower Oven** puis **Bake** pour le four inférieur dans un four double), utilisez les touches numériques 1 à 5 pour sélectionner une température de cuisson pré-réglée différente, et appuyez sur **Start/Enter**.

Démarrage d'une cuisson minutée

- Appuyez sur **Bake**.
- Si la température souhaitée est 350°F, utilisez les touches numériques 6 à 0 pour sélectionner un temps de cuisson. Si vous souhaitez une température de cuisson autre que 350°F, utilisez les touches numériques 1 à 5 pour sélectionner une température de cuisson pré-réglée, puis sélectionnez le temps de cuisson. Reportez-vous à l'illustration de cette page pour déterminer quelle touche permet de régler la température et le temps de cuisson souhaités.
- Appuyez sur **Start/Enter**.

Après un certain temps, un deuxième crochet «] » apparaît à l'écran pour indiquer que le four est en train de cuire. Lorsque le temps de cuisson est écoulé, l'affichage revient à un seul crochet «] » indiquant que le four n'est plus en train de cuire. Aucun signal sonore n'est émis lorsque le temps de cuisson est terminé.

Extinction du four

Pour éteindre le four, appuyez sur **Cancel/Off** à tout moment. Le four s'éteint immédiatement et «] » se transforme en «] » indiquant que le four est éteint.

REMARQUE : Chaque four d'un four mural double doit être éteint séparément.

Quitter le mode Sabbat

Pour quitter le mode Sabbat, assurez-vous que le four est éteint. Appuyez, durant 3 secondes, sur les touches **Bake** et **Broil** pour accéder aux fonctions spéciales, puis appuyez sur « 2 » ou « 8 » pour accéder à « **SABBAT** », « 6 » pour modifier, « 2 » et « 8 » pour mettre le réglage à Off, « 6 » pour enregistrer les réglages, « 4 » pour quitter les menus des fonctions spéciales. L'horloge revient à l'affichage lorsque le mode Sabbat est désactivé.

Remarque sur les pannes de courant en mode Sabbat

Si une panne de courant survient pendant le mode Sabbat, l'appareil reste en mode Sabbat mais s'éteint lorsque le courant est rétabli.

Grilles de four

Votre four possède six positions de grille. Le Guide de cuisson contient des recommandations quant à la position des grilles à utiliser en fonction des types d'aliments à cuire. Le réglage de la position de la grille est une façon d'optimiser le rendement de la cuisson. Par exemple, si vous préférez que vos gâteaux, vos muffins ou vos biscuits soient très brunis, placez la grille à un cran supérieur. Si vos aliments brunissent trop, placez votre grille à un cran inférieur la prochaine fois.

Lors d'une cuisson nécessitant plusieurs récipients sur plusieurs grilles, laissez un espace d'au moins 1 1/2 po entre ceux-ci pour assurer la circulation d'air.

Pour éviter les brûlures, placez la ou les grilles à l'emplacement désiré avant d'allumer le four.

Grilles plates

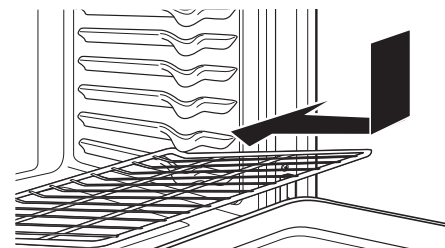
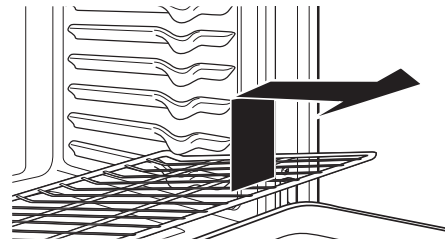
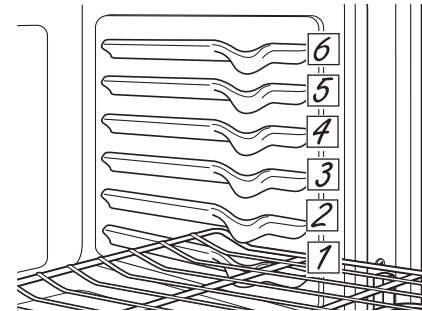
Lorsque vous mettez des ustensiles de cuisson dans le four ou les en retirez, tirez les grilles jusqu'à la butée d'arrêt du support de grille.

Pour retirer une grille, tirez-la vers vous, soulevez-en l'avant et sortez-la.

Pour remettre une grille en place, placez son côté recourbé (crans d'arrêt) sur le support, soulevez-en l'avant et poussez-la à l'intérieur.

Les grilles peuvent être difficiles à faire glisser, particulièrement après un autonettoyage. Appliquez de l'huile végétale sur un chiffon doux ou un essuie-tout, puis enduisez d'huile les côtés droit et gauche de la grille.

REMARQUE : L'utilisation d'autres types d'huiles de cuisson entraînera une décoloration ou la formation d'un résidu de couleur semblable à de la rouille sur les grilles et les côtés de la cavité. Pour nettoyer ce résidu, utilisez du savon et de l'eau ou une solution de vinaigre et d'eau. Rincez à l'eau claire et asséchez avec un chiffon doux et propre.



Papier d'aluminium et protections pour four

⚠ ATTENTION

Ne recouvrez pas la sole du four de papier d'aluminium ni de protection pour four d'aucune sorte. Ils sont susceptibles de retenir la chaleur ou de fondre, ce qui pourrait endommager le produit ou provoquer un choc électrique, de la fumée ou un incendie. Les dommages résultant d'une utilisation inappropriée de ces articles ne sont pas couverts par la garantie du produit.

On peut utiliser du papier d'aluminium pour recueillir les éclaboussures en posant une feuille sur une grille inférieure, quelques centimètres sous les aliments. N'utilisez pas plus de papier qu'il n'en faut et ne couvrez jamais entièrement une grille de four avec du papier d'aluminium. Placez le papier d'aluminium à au moins 1-1/2 po (3,8 cm) des parois du four afin d'éviter une mauvaise circulation de la chaleur.

Ustensiles de cuisson

Directives relatives aux ustensiles de cuisson

Le matériel, le fini et la taille de l'ustensile de cuisson ont une incidence sur le rendement de la cuisson.

Les casseroles foncées, recouvertes d'un enduit et mates absorbent plus de chaleur que les casseroles minces et brillantes. Les casseroles qui absorbent plus facilement la chaleur produisent des croûtes brunes, croustillantes et plus épaisses. Si vous utilisez des ustensiles de cuisson foncés et recouverts d'un enduit, vérifiez la cuisson avant le temps prescrit dans la recette. Si vous obtenez de mauvais résultats avec ce type d'ustensile de cuisson, réduisez la température du four de 25 °F (14 °C) la prochaine fois.

Les casseroles lustrées permettent de cuire uniformément les aliments, comme les gâteaux et les biscuits.

Les casseroles en verre ou en céramique se réchauffent lentement, mais conservent la chaleur plus longtemps. Ces types d'ustensiles de cuisson conviennent parfaitement aux tartes et croustades.

Les ustensiles de cuisson isolés se réchauffent lentement et peuvent réduire le brunissement des aliments.

Gardez les ustensiles de cuisson propre pour favoriser une cuisson uniforme.

Modes de cuisson

Votre nouveau four offre de nombreux modes de cuisson pour vous aider à obtenir de meilleurs résultats. Ces modes de cuisson sont décrits ci-dessous. Reportez-vous à la section « Guide de cuisson » pour obtenir des recommandations spécifiques à chaque type d'aliments. N'oubliez pas que votre nouveau four peut offrir un fonctionnement différent de celui de votre ancien four.

Bake (cuisson)

Le mode cuisson permet de cuire et de rôtir. Ce mode utilise surtout l'élément inférieur mais aussi l'élément supérieur pour cuire les aliments. Lorsque vous préparez des produits de boulangerie tels que gâteaux, biscuits, et pâtisseries préchauffez toujours le four d'abord. Suivez les directives de la recette pour la position des aliments. Si aucune directive n'est fournie, centrez les aliments dans le four. Pour utiliser ce mode, appuyez sur la touche **Bake**, entrez une température, puis appuyez sur **Start**.

Proof

Le mode Proof (fermentation) est conçu pour faire lever (fermenter) les pâtes à pain. Pressez la touche **Proof**, puis **Start**. Couvrez bien la pâte pour éviter qu'elle ne sèche. Le pain lèvera plus rapidement qu'à température ambiante. Notez que sur les fours doubles, la fermentation ne peut pas être lancée lorsque le mode nettoyage est en cours dans l'autre four.

Maintien au chaud

Le mode Warm est conçu pour maintenir les aliments chauds à une température plus élevée jusqu'à 3 heures durant. Pour utiliser ce mode, pressez la touche **Warm**, puis **Start**. Recouvrez les aliments qu'il faut maintenir humides sauf ceux que l'on souhaite croustillants. Le préchauffage n'est pas nécessaire. N'utilisez pas Warm pour réchauffer les aliments froids à l'exception des craquelins, des croustilles et des céréales sèches. On recommande aussi de ne pas garder les aliments au chaud durant plus de 2 heures.

Modes de grillage

Grillez toujours avec la porte fermée. L'élément de grillage de ce four est très puissant. Surveillez les aliments étroitement lorsque vous les grillez. Usez de prudence lors du grillage sur les positions de grille supérieures car approcher les aliments de l'élément de grillage augmente la fumée, les éclaboussures et la possibilité d'enflammer la graisse. **Le grillage sur la position de grille 6 n'est pas recommandé.** Commencez par des aliments que vous avez l'habitude de griller. Réglez les positions de grille pour ajuster l'intensité de la chaleur sur l'aliment. Placez l'aliment plus près de l'élément de grillage lorsqu'une surface plus grillée ou un intérieur plus cuit est souhaité. Les aliments plus épais et ceux qui doivent être cuits à cœur doivent être grillés sur une grille plus éloignée du gril ou en utilisant la fonction Broil Lo.

Grillage maximal (Broil Hi)

Le mode Broil Hi utilise une chaleur intense de l'élément supérieur pour brunir les aliments. Utilisez Broil HI pour les coupes de viande plus minces et/ou les aliments que vous préférez moins cuits à l'intérieur. Pour utiliser ce mode, appuyez une fois sur la touche **Broil**, puis appuyez sur **Start**. Le préchauffage n'est pas nécessaire avec ce mode.

Grillage minimal (Broil Lo)

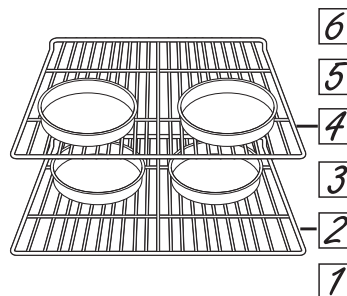
Le mode Broil Lo utilise une chaleur moins intense de l'élément supérieur pour cuire les aliments à fond tout en produisant aussi le brunissage de la surface. Utilisez Broil Lo pour les coupes de viandes plus épaisses ou les aliments que vous souhaitez cuire de part en part. Pour utiliser ce mode, appuyez deux fois sur la touche Broil, puis appuyez sur **Start**. Le préchauffage n'est pas nécessaire avec ce mode.

Guide de cuisson

TYPE D'ALIMENT	MODES DE CUISSON RECOMMANDÉS	POSITIONS DE GRILLE RECOMMANDÉES	SUGGESTIONS ADDITIONNELLES
Produits de boulangerie et pâtisseries			
Gâteaux à étages, gâteaux plats, gâteaux Bundt, muffins, pains à préparation rapide sur une seule grille	Bake	3	Utilisez un ustensile de cuisson au fini brillant.
Gâteaux à étages* sur plusieurs grilles	Bake	2 et 4	Assurez une circulation d'air adéquate (voir l'illustration ci-dessous).
Gâteaux des anges	Bake	1	Utilisez un ustensile de cuisson au fini brillant.
Biscuits, pains cuits en galettes sur une seule grille	Bake	3	Utilisez un ustensile de cuisson au fini brillant.
Biscuits, pains cuits en galettes sur plusieurs grilles	Bake	2 et 4	Pendant la cuisson, changez partiellement la position des aliments tels que les biscuits au sucre pour des résultats plus uniformes entre les grilles. Procurez une bonne circulation d'air.
Bœuf et porc			
Galettes de bœuf haché	Broil Hi	5	Utilisez une lèchefrite; abaissez les aliments dans le four pour une cuisson plus en profondeur/moins grillée. Vérifiez fréquemment les aliments lorsque vous utilisez la cuisson au grill. Pour de meilleurs résultats, placez l'aliment au centre du four, sous l'élément de grill.
Biftecks et côtelettes	Broil Hi	5	Utilisez une lèchefrite; abaissez les aliments dans le four pour une cuisson plus en profondeur/moins grillée. Vérifiez fréquemment les aliments lorsque vous utilisez la cuisson au grill. Pour de meilleurs résultats, placez l'aliment au centre du four, sous l'élément de grill.
Rôtis	Bake	2	Ne couvrez pas; utilisez un ustensile moins profond, comme une lèchefrite. Le préchauffage n'est pas nécessaire.
Volaille			
Poulet entier	Bake	2	Utilisez un ustensile de cuisson peu profond, comme une lèchefrite. Le préchauffage n'est pas nécessaire.
Poitrines, cuisses, hauts de cuisse de poulet	Broil Lo Bake	3	Grillez d'abord avec la peau vers le bas. Vérifiez fréquemment les aliments lorsque vous utilisez la cuisson au grill. Pour de meilleures performances lors de la cuisson au grill, centrez les aliments sous l'élément chauffant du grill.
Poitrines de poulet désossées	Broil Lo Bake	3	Abaissez les aliments dans le four pour une cuisson plus en profondeur/moins grillée, et disposez-les plus haut dans le four pour les griller et les brunir davantage. Pour de meilleures performances lors de la cuisson au grill, centrez les aliments sous l'élément chauffant du grill.
Dinde entière	Bake	1 ou 2	Utilisez un ustensile de cuisson peu profond, comme une lèchefrite. Le préchauffage n'est pas nécessaire.
Poitrine de dinde	Bake	2	Utilisez un ustensile de cuisson peu profond, comme une lèchefrite. Le préchauffage n'est pas nécessaire.
Poisson	Broil Lo	5 (épaisseur de 1/2 po/1 cm ou moins) 4 (épaisseur > 1/2 po/1 cm)	Vérifiez fréquemment les aliments lorsque vous utilisez la cuisson au grill. Pour de meilleurs résultats, placez l'aliment au centre du four, sous l'élément de grill.
Mets mijotés	Bake	3	
Aliments préparés surgelés			
Produits de pommes de terre, croquettes de poulet, hors-d'œuvre sur une seule grille	Bake	3	Utilisez un ustensile de cuisson au fini brillant.
Produits de pommes de terre, croquettes de poulet, hors-d'œuvre sur plusieurs grilles	Bake	2 et 4	Utilisez un ustensile de cuisson au fini brillant. Déplacez légèrement les aliments pendant la cuisson pour garantir une cuisson uniforme.

*Lorsque vous faites cuire quatre couches de gâteau à la fois, utilisez les grilles 2 et 4. Placez les moules comme montré de manière à ce qu'un moule ne se retrouve pas directement au-dessus d'un autre.

Faites bien cuire les aliments pour éviter les intoxications alimentaires. Pour connaître la température minimale et sécuritaire des aliments, visitez le site Web à IsItDoneYet.gov. Assurez-vous d'utiliser un thermomètre pour connaître la température des aliments.



Four

Be sure electrical power is off and all surfaces are cool before cleaning any part of the oven.

Control Panel

It's a good idea to wipe the control panel after each use. Clean with mild soap and water or vinegar and water, rinse with clean water and polish dry with a soft cloth.

Do not use abrasive cleansers, strong liquid cleansers, plastic scouring pads or oven cleaners on the control panel—they will damage the finish.

Oven Exterior

Do not use oven cleaners, abrasive cleansers, strong liquid cleansers, steel wool, plastic scouring pads, or cleaning powders on the interior or exterior of the oven. Clean with a mild soap and water or vinegar and water solution. Rinse with clean water and dry with a soft cloth. When cleaning surfaces, make sure that they are at room temperature and not in direct sunlight.

If stain on the door vent trim is persistent, use a mild abrasive cleaner and a sponge-scrubber for best results.

Spillage of marinades, fruit juices, tomato sauces and basting liquids containing acids may cause discoloration and should be wiped up immediately. Let hot surfaces cool, then clean and rinse.

Stainless Steel Surfaces (on some models)

Do not use a steel wool pad; it will scratch the surface.

To clean the stainless steel surface, use warm sudsy water or a stainless steel cleaner or polish. Always wipe the surface in the direction of the grain. Follow the cleaner instructions for cleaning the stainless steel surface.

Cleaners with oxalic acid such as Bar Keepers Friend Soft Cleanser™ will remove surface rust, tarnish and small

blemishes. Use only a liquid cleanser free of grit and rub in the direction of the brush lines with a damp, soft sponge.

To inquire about purchasing cleaning products including stainless steel appliance cleaner or polish read the Accessories sections of this manual.

Intérieur du four

L'intérieur de votre nouveau four peut être nettoyé à la main ou en utilisant les fonctions de nettoyage à la vapeur ou d'autonettoyage.

Les éclaboussures de marinade, jus de fruit, sauce tomate et jus de cuisson contiennent des éléments acides qui peuvent causer une décoloration. Elles doivent donc être immédiatement essuyées. Laissez les surfaces chaudes refroidir, plus nettoyez-les et rincez-les.

Nettoyage manuel

N'utilisez pas de nettoyant pour four (sauf si certifié pour four à autonettoyage), de nettoyant liquide fort, de laine d'acier ou de tampon à récurer à l'intérieur du four. Utilisez un savon doux et de l'eau ou une solution de vinaigre et d'eau. Rincez à l'eau claire et asséchez avec un chiffon doux et propre. Assurez-vous que les surfaces sont à la température ambiante avant de les nettoyer.

Nettoyage à la vapeur

Le nettoyage à la vapeur permet de nettoyer les déversements mineurs au moyen d'eau, à une température inférieure que celle utilisée pour l'autonettoyage.

Avant d'utiliser la fonction de nettoyage à la vapeur, essuyez la graisse et les résidus qui se trouvent dans la cavité du four. Versez une tasse d'eau dans le fond du four. Fermez la porte. Appuyez sur la touche **Steam Clean**, puis sur **Start**. Sur certains modèles, la porte du four peut se verrouiller. Vous ne devez pas ouvrir la porte pendant le nettoyage à la vapeur de 30 minutes parce que cela réduira l'efficacité de ce nettoyage. Essuyez tout excédent d'eau et de saleté qui pourrait être resté. **REMARQUE** : L'eau qui se trouve au fond du four peut être chaude après la fin du programme.

Autonettoyage

Lisez les instructions relatives à l'autonettoyage du four au début de ce manuel avant d'utiliser cette fonction.

L'autonettoyage utilise des températures très élevées pour nettoyer l'intérieur du four. La porte du four se verrouille lorsque cette fonction est activée. Avant de lancer le programme d'autonettoyage, essuyez la graisse et les saletés susceptibles de se trouver dans le four. Enlevez tous les éléments du four, mis à part les grilles émaillées (de couleur foncée). Les supports de grille à fini lustré ou argenté, la sonde thermique et tout autre ustensile de cuisson, ou tout autre article, doivent être retirés du four avant de lancer le programme d'autonettoyage. Fermez la porte. Appuyez sur la touche **Self Clean** pour afficher un temps d'autonettoyage par défaut. Le temps du nettoyage peut être modifié entre 3:00 et 5:00 heures en utilisant les touches numériques pour entrer un temps différent et en appuyant sur Start. Pour les fours très sales, le temps de nettoyage maximum de 5 heures est recommandé. Si vous souhaitez utiliser le temps par défaut, appuyez sur la touche **Start** immédiatement après avoir appuyé sur la touche **Self Clean**. Le four s'éteint automatiquement lorsque le cycle d'autonettoyage est terminé. La porte demeure verrouillée jusqu'à ce que le four se soit refroidi. Lorsque le four a refroidi, essuyez la cendre qui se sera formée dans le four.

IMPORTANT : Certains oiseaux sont extrêmement sensibles aux fumées dégagées pendant l'autonettoyage d'un four. Déplacez-les dans une autre pièce bien aérée.

Four (suite)

Grilles du four

Les grilles émaillées, non brillantes, peuvent être laissées dans la cavité pendant l'autonettoyage, ou peuvent être lavées avec de l'eau chaude savonneuse.

Les grilles peuvent devenir difficiles à glisser, en particulier après un cycle d'autonettoyage. Enduisez un linge doux ou une serviette en papier d'un peu d'huile végétale et frottez les bords latéraux.

REMARQUE : D'autres types d'huiles de cuisson peuvent causer de la décoloration ou des résidus de couleur rouille sur les grilles et les parois de la cavité. Nettoyez ces résidus avec de l'eau savonneuse ou une solution d'eau et de vinaigre. Rincez à l'eau claire et séchez avec un linge doux.

Lampe du four

⚠ AVERTISSEMENT **RISQUE DE CHOC ÉLECTRIQUE OU D'INCENDIE** : Avant de remplacer l'ampoule, coupez l'alimentation du four au niveau du tableau de distribution (disjoncteurs ou fusibles). Le non-respect de cette consigne peut entraîner un choc électrique ou des brûlures.

⚠ ATTENTION **RISQUE DE BRÛLURE** : L'ampoule et le couvre-ampoule en verre doivent être retirés lorsqu'ils sont froids. Toucher le verre chaud à main nue ou avec un chiffon humide peut causer des brûlures.

1. Coupez le courant au niveau du tableau de distribution (fusible ou disjoncteur).
2. Retirez les grilles du four.
3. Faites glisser un tournevis à lame plate ou un couteau à beurre entre le boîtier métallique et le couvercle en verre de l'ampoule. **REMARQUE** : Sur certains modèles, il y a une attache métallique qui maintient visiblement le verre. L'outil doit être inséré entre le boîtier métallique et l'attache retenant le verre.
4. Soutenez le couvercle en verre de l'ampoule avec deux doigts pour éviter que le couvercle ne tombe au fond du four.
5. Tournez doucement la lame du tournevis ou du couteau à beurre pour desserrer le couvercle en verre de l'ampoule. Veillez à ne pas ébrécher le revêtement du four.
6. Retirez le couvercle de l'ampoule.
7. Retirez l'ampoule en la saisissant fermement et en la faisant glisser vers l'extérieur jusqu'à ce que les deux broches se soient dégagées de la douille en céramique.
8. Ne touchez pas le verre de la nouvelle ampoule de remplacement avec vos doigts. Cela entraînera des dommages à l'ampoule pouvant l'empêcher de s'allumer. Saisissez l'ampoule de remplacement avec une serviette propre ou un mouchoir en papier avec les broches vers le bas. Alignez les deux broches dans la douille en céramique, en appuyant doucement jusqu'à ce que l'ampoule soit bien en place dans la douille.
9. Faites glisser le couvercle de protection dans le support et poussez jusqu'à ce que les fixations s'enclenchent dans le boîtier.
10. Rebranchez l'alimentation.

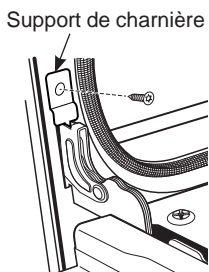
Porte du four

Retrait de la porte du four

REMARQUE : Le retrait de la porte n'est pas requis pour l'installation du produit mais il peut la faciliter.

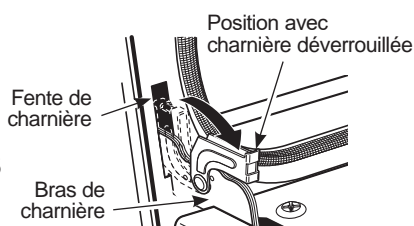
Pour retirer la porte :

1. Ouvrez la porte du four aussi loin qu'elle le pourra.
2. Retirez le support de charnière (si présent) du cadre avant et mettez-le de côté. Le support de charnière doit être replacé pour que la porte fonctionne correctement lorsque la porte est réinstallée.
3. Poussez les verrous de charnière vers le bas et le cadre de porte jusqu'à la position de déverrouillage. Un tournevis à lame plate peut s'avérer nécessaire.



NE SOULEVEZ PAS LA PORTE PAR LA POIGNÉE!

4. Placez les mains des deux côtés de la porte et fermez la porte du four jusqu'à la position de retrait (environ 1 à 2 po [2,5 cm à 5,1 cm] depuis la position fermée).
5. Soulevez la porte verticalement puis vers l'extérieur jusqu'à ce que les bras des charnières sortent des fentes.



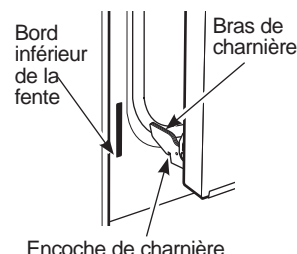
REMARQUE : La porte du four est très lourde. Assurez-vous d'avoir une prise solide avant de soulever la porte hors des charnières. Usez de prudence une fois la porte retirée. Ne déposez pas la porte sur sa poignée. Cela pourrait causer des bosses ou des rayures.



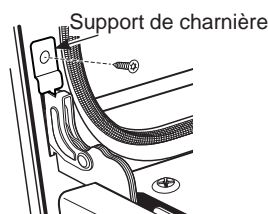
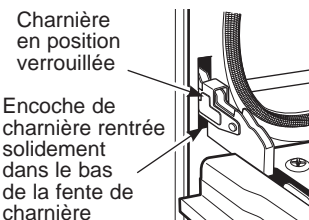
Remise en place de la porte du four

REMARQUE : La porte du four est très lourde. De l'aide peut s'avérer nécessaire pour soulever la porte suffisamment haut pour la glisser dans les fentes de charnière. Ne soulevez pas la porte par la poignée.

1. Soulevez la porte du four en l'agrippant de chaque côté.
2. Avec la porte dans le même angle que pour la position de retrait (environ 1 à 2 po [2,5 cm à 5,1 cm] depuis la position fermée), rentrez l'encoche du bras de charnière dans le bord inférieur de la fente de charnière. L'encoche du bras de charnière doit être complètement insérée dans le bas de la fente.
3. Ouvrez la porte complètement. Si la porte n'est pas totalement ouverte, l'encoche ne reposera pas à fond sur le bord inférieur de la fente.



4. Poussez les verrous de charnière vers le haut contre le cadre frontal de la cavité du four, jusqu'à la position de verrouillage.
5. Replacer le support de charnière (si présent). Le support de charnière doit être remplacé pour que la porte fonctionne correctement.






6. Fermez la porte du four.

Conseils de dépannage... Avant de contacter le service de dépannage

Économisez du temps et de l'argent! Passez en revue les tableaux situés dans les pages suivantes ou visitez Electromenagersge.ca/fr/soutien/demande-de-service pour des articles utiles et des vidéos d'aide avant d'appeler le service de dépannage.

Problème	Causes possibles	Solutions
Mon nouveau four ne cuit pas les aliments comme mon ancien four. Y a-t-il un problème avec le réglage de la température?	Votre nouveau four est doté d'un système de cuisson différent de celui de votre ancien four; par conséquent, il peut cuire les aliments différemment.	Pour la première utilisation, respectez les temps et les températures indiqués dans votre recette. Si vous pensez toujours que votre four chauffe trop ou ne chauffe pas assez, vous pouvez ajuster la température vous-même.
Les aliments ne cuisent pas correctement	Les commandes du four sont mal réglées.	Reportez-vous à la section « Modes de cuisson ».
	La grille n'a pas été placée sur la bonne position dans le four ou n'est pas de niveau.	Reportez-vous à la section « Modes de cuisson » et au Guide de cuisson.
	Ustensile de cuisson inapproprié ou de dimensions inadéquates.	Reportez-vous à la section « Ustensiles de cuisson ».
	La température du four doit être ajustée.	Reportez-vous à la section « Réglages ».
	Substitution d'ingrédients	La substitution d'ingrédients peut modifier le résultat.
Les aliments ne grillent pas correctement	Les commandes du four sont mal réglées.	Assurez-vous de sélectionner le mode de cuisson au gril approprié.
	Position de grille inappropriée.	Consultez le Guide de cuisson pour des suggestions sur la position des grilles.
	Les aliments sont cuits dans un ustensile chaud.	Assurez-vous que l'ustensile de cuisson est froid.
	Un ustensile de cuisson inapproprié pour le gril est utilisé.	Utilisez un ustensile de cuisson conçu pour le gril.
	Le papier d'aluminium utilisé dans la lèchefrite ou sur la grille n'est pas installé selon les recommandations.	Si vous utilisez du papier d'aluminium, pratiquez des ouvertures vis-à-vis des ouvertures de la lèchefrite.
	Dans certaines régions, la tension électrique peut être basse.	Préchauffez l'élément de gril pendant 10 minutes.
Température du four trop chaude ou trop froide	La température du four doit être ajustée.	Reportez-vous à la section « Réglages ».
Le four ne fonctionne pas, ou semble ne pas fonctionner	Un fusible de votre domicile peut être grillé ou le disjoncteur s'est déclenché.	Remplacez le fusible ou réenclenchez le disjoncteur.
	Les commandes du four sont mal réglées.	Reportez-vous à la section « Utilisation du four ».
	Le four est en mode sabbat.	Assurez-vous que le four n'est pas en mode sabbat. Reportez-vous à la section « Réglages ».
Bruits de crépitement ou de craquement	Ces sons proviennent du métal qui chauffe et refroidit pendant les fonctions de cuisson et d'autonettoyage.	Cela est normal.
Pourquoi ma cuisinière émet-elle un cliquetis lorsque j'utilise le four?	Votre four a été conçu pour maintenir avec précision sa température. Les éléments chauffants peuvent ainsi émettre plus souvent des clics que les anciens modèles de four, cela afin d'optimiser la cuisson, le grillage, la convection et l'autonettoyage.	Cela est normal.
L'horloge et la minuterie ne fonctionnent pas	Un fusible de votre domicile peut être grillé ou le disjoncteur s'est déclenché.	Remplacez le fusible ou réenclenchez le disjoncteur.
Il arrive que le four prenne plus de temps à préchauffer pour atteindre la même température	Ustensile de cuisson ou aliment dans le four.	L'ustensile de cuisson ou les aliments placés dans le four prolongent le préchauffage. Retirez les aliments pour diminuer le temps de préchauffage.
	Nombre de grilles dans le four.	L'ajout de grilles dans le four prolonge le temps de préchauffage. Retirez quelques grilles.

Conseils de dépannage... Avant de contacter le service de dépannage

Problème	Causes possibles	Solutions
La lampe du four ne fonctionne pas	L'ampoule est mal serrée, ou elle est grillée.	Resserrez ou remplacez l'ampoule.
	La touche qui commande la lampe est brisée.	Faites un appel de service.
L'autonettoyage ne fonctionne pas	La température du four est trop élevée pour programmer l'autonettoyage.	Laissez le four refroidir et reprogrammez-le.
	Les commandes du four sont mal réglées.	Reportez-vous à la section sur le nettoyage du four.
Fumée excessive pendant le cycle de nettoyage	Saleté ou graisse excessive.	Appuyez sur Cancel/Off . Ouvrez les fenêtres pour ventiler la fumée. Patientez jusqu'à ce que le  s'éteigne. Essayez l'excès de saleté et réinitialisez le cycle de nettoyage.
Fumée excessive en mode de cuisson au grill	Les aliments sont trop près de l'élément.	Abaissez la grille dans le four.
La porte du four ne s'ouvre pas après l'autonettoyage	Four trop chaud.	Laissez la température du four redescendre en dessous de la température de verrouillage.
Le four n'est pas propre après l'autonettoyage	Les commandes du four sont mal réglées.	Reportez-vous à la section sur le nettoyage du four.
	Le four était très sale.	Nettoyez les éclaboussures importantes avant de lancer l'autonettoyage. Les fours très sales peuvent nécessiter un second autonettoyage ou un autonettoyage plus long.
 clignote sur l'affichage	Le cycle d'autonettoyage a été sélectionné mais la porte n'est pas fermée.	Fermez la porte du four.
 est allumé lorsque vous voulez cuisiner	La porte du four est verrouillée car la température à l'intérieur du four n'a pas chuté en dessous de la température de verrouillage.	Appuyez sur Cancel/Off . Laissez le four refroidir.
« F- » suivi d'un chiffre ou d'une lettre sont affichés sur l'écran ACL	Il s'agit d'un code d'erreur de fonction.	Appuyez sur Dismiss (effacer) sur l'écran ACL. Laissez le four refroidir pendant une heure. Rallumez le four.
	Si le code de fonction réapparaît.	Coupez l'alimentation du four pendant au moins 30 secondes, puis rétablissez-la. Si le code d'erreur de fonction réapparaît, contactez un service de réparation.
L'écran devient vide.	Un fusible de votre domicile peut être grillé ou le disjoncteur a été déclenché.	Remplacez le fusible ou réenclenchez le disjoncteur.
	L'horloge est éteinte.	Voyez la section Paramètres (Settings).
	Le four est dans le mode Sabbath.	Vérifiez que le four n'est pas en mode Sabbath. Voyez la section Paramètres (Settings).
Panne de courant, réinitialisation de l'horloge	Coupure de courant ou surtension.	Remettez l'horloge à l'heure. Si le four était en cours d'utilisation, vous devez le reprogrammer en appuyant sur la touche Cancel/Off , en remettant l'horloge à l'heure et en reprogrammant la fonction de cuisson choisie.
Odeur de « brûlé » ou d'huile provenant de l'évent	Cela est normal pour un nouveau four et disparaît avec le temps.	Pour accélérer ce processus, programmez un autonettoyage d'au moins 3 heures. Reportez-vous à la section sur le nettoyage du four.
Forte odeur	Il est normal qu'une odeur se dégage de l'isolant de l'intérieur du four pendant les premières utilisations du four.	Ceci est temporaire et cessera avec le temps ou après un cycle d'autonettoyage.
Bruit de ventilateur	Un ventilateur de refroidissement peut automatiquement se mettre en marche.	Cela est normal. Le ventilateur de refroidissement se mettra en marche pour refroidir les composants internes. Il peut fonctionner jusqu'à 1 h 30 après l'arrêt du four.
La vitre de ma porte de four semble teintée ou présente un arc-en-ciel. Est-elle défectueuse?	Non. Le verre intérieur de la porte du four est revêtu d'une barrière thermique qui réfléchit la chaleur dans le four pour prévenir la perte de chaleur et pour garder l'extérieur de la porte froide pendant la cuisson.	Cela est normal. Dans certaines conditions d'éclairage et selon l'angle de vue, il est possible de percevoir une teinte ou les couleurs de l'arc-en-ciel.
Le four ne fonctionne pas à distance	Problèmes de routeur, pas de signal sans fil, etc.	Pour obtenir de l'aide sur la connectivité réseau sans fil du four, veuillez appeler le 1-800-220-6899.
	Le four n'est pas connecté.	

Garantie limitée du four électrique

electromenagersge.ca

Tous les services de garantie pour votre appareil sont fournis exclusivement par GE Appliances, les Centres de service d'usine d'une société Haier, ou par un technicien d'entretien autorisé par GE Appliances à fournir un service de garantie pour votre appareil. Pour faire la demande d'une réparation en ligne, visitez GEAppliances.com/service ou appelez Électroménagers GE au 1-800-GE-CARES (432-2737). Au Canada, veuillez visiter electromenagersge.ca/soutien-apres-vente. Veuillez avoir les numéros de série et de modèle de votre appareil à portée de main lorsque vous appelez pour obtenir un service. Les réparations qui n'ont pas été programmées ou organisées autrement par GE Appliances ne seront pas couvertes par cette garantie, y compris les pièces et/ou les services fournis.

La réparation de votre appareil peut nécessiter l'utilisation d'un accès embarqué aux données pour déterminer le diagnostic. Cela permet à un technicien de réparation d'Électroménagers GE de diagnostiquer rapidement tout problème avec votre appareil, et aide Électroménagers GE à améliorer ses produits en lui fournissant de l'information sur votre appareil. Si vous ne voulez pas que les données de votre appareil soient transmises à Électroménagers GE, veuillez aviser le technicien de ne pas transmettre de données à Électroménagers GE au moment de la réparation.

Pendant une période de	Électroménagers GE remplacera
Un an À compter de la date d'achat d'origine	Toute pièce du four qui se révèle défectueuse en raison d'un vice de matériau ou de fabrication. Au cours de cette garantie limitée d'un an , Électroménagers GE fournira également, sans frais , toute la main-d'œuvre pour le remplacement de la pièce défectueuse à domicile.

Ce que Électroménagers GE ne couvre pas :

- Toute visite à votre domicile pour vous expliquer le fonctionnement de l'appareil.
- L'installation, la livraison ou l'entretien inappropriés de l'appareil.
- Toute défectuosité du produit lorsqu'il a été utilisé de façon abusive ou inadéquate, employé à toute autre fin que celle pour laquelle il a été conçu, modifié ou utilisé à des fins commerciales.
- Le remplacement des fusibles ou le réenclenchement des disjoncteurs.
- Tout dommage au produit attribuable à un accident, à un incendie, à une inondation ou à une catastrophe naturelle.
- Dommages accidentels ou consécutifs causés par d'éventuels défauts de cet appareil.
- Les dommages survenus après la livraison.
- Le service s'il est impossible d'avoir accès au produit.
- Le service pour réparer ou remplacer les ampoules, à l'exception des lampes DEL.
- Les dommages au fini, tels que la rouille de surface, le ternissement ou les petites imperfections qui ne sont pas rapportés dans les 48 heures suivant la livraison.

EXCLUSIONS DES GARANTIES IMPLICITES

Votre seul et unique recours est de faire réparer le produit dans le cadre de cette garantie limitée. Toute garantie implicite, incluant la garantie de qualité marchande ou d'aptitude du produit à un usage particulier, est limitée à un an ou à la période la plus courte autorisée par la loi.

Cette garantie limitée est offerte à l'acheteur initial, ainsi qu'à tout propriétaire subséquent d'un produit acheté en vue d'une utilisation domestique aux États-Unis. Si le produit se situe dans une zone où aucun réparateur agréé par Électroménagers GE n'est disponible, vous devrez peut-être assumer les frais de déplacement de celui-ci ou apporter le produit à un atelier de réparation agréé par Électroménagers GE. En Alaska, la garantie limitée exclut les coûts d'expédition et les appels de service nécessitant une visite à domicile.

Dans certains États, il est interdit d'exclure ou de limiter les dommages indirects ou accessoires. Il est alors possible que les limitations ou exclusions ci-dessus ne s'appliquent pas dans votre cas. La présente garantie limitée vous confère des droits juridiques spécifiques. Vous pouvez bénéficier d'autres droits, qui varient d'un État ou d'une province à l'autre. Pour connaître les droits dont vous bénéficiez dans votre État ou votre province, communiquez avec le bureau de la protection du consommateur de votre région, de votre État ou de votre province, ou le procureur général.

Garant, États-Unis : GEAPPLIANCES, a Haier company

Louisville, KY 40225

Garant au Canada : MC Commercial, Burlington, ON, L7R 5B6

Garanties prolongées : Achetez une garantie prolongée de GE Appliances et apprenez-en plus sur les rabais spéciaux disponibles pendant que votre garantie est valide. Vous pouvez l'acheter en ligne en tout temps en allant sur :

Electromenagersge.ca/fr/soutien/achat-d-une-garantie-prolongee

ou en appelant au 866.277.9842 pendant les heures d'ouverture normales. Le service de GE Appliances sera encore là après l'expiration de votre garantie.

Agrafez votre facture ici. Une preuve de la date d'achat d'origine est requise pour obtenir des services sous garantie.

Accessoires

Vous manquez de quelque chose?

Électroménagers GE propose une panoplie d'accessoires qui permettent d'améliorer votre expérience de cuisson et de nettoyage!

Reportez-vous à la page du service à la clientèle pour obtenir les numéros de téléphone et des informations sur le site Web.

Les produits suivants, et d'autres, sont offerts :

Accessoires

Petite lèchefrite (8¾ x 1¼ x 13½ po / 22,2 x 3,2 x 34,3 cm)

Grande* lèchefrite (12¾ x 1¼ x 16½ po / 32,4 x 3,2 x 41,9 cm)

Très grande** lèchefrite (17 x 1¼ x 19¼ po / 43,2 x 3,2 x 48,9 cm)

Pièces

Grilles de four

Éléments de four

Ampoules

Sonde thermique

Fournitures de nettoyage

Lingettes CitruShine^{MC} pour acier inoxydable

Nettoyant pour appareil en acier inoxydable

Lubrifiant à base de graphite

* La grande lèchefrite ne convient pas aux cuisinières de 20 po/24 po (50,8 cm/61 cm)

** La très grande lèchefrite ne convient pas aux fours encastrés de 24 po (61 cm), aux cuisinières encastrables de 27 po (68,6 cm) ou aux cuisinières de 20 po (50,8 cm) ou 24 po (61 cm).

Service à la clientèle

Site Web des électroménagers GE

Vous avez des questions ou besoin d'assistance concernant votre appareil? Consultez le site Web d'Électroménagers GE, accessible 24 heures sur 24, tous les jours de l'année! Vous pouvez également acheter d'autres excellents produits d'Électroménagers GE et bénéficier de tous nos services de soutien en ligne conçus pour votre commodité.

Aux États-Unis : GEAppliances.com. Au Canada : electromenagersge.ca.

Enregistrez votre appareil

Enregistrez votre nouvel appareil en ligne au moment qui vous convient le mieux! L'enregistrement de votre produit dans les délais prescrits permet une meilleure communication et un service rapide, selon les modalités de votre garantie, si besoin est. Vous pouvez également envoyer par courrier la carte d'enregistrement préimprimée qui se trouve dans l'emballage de votre appareil.

Aux États-Unis : GEAppliances.com/register

Au Canada : Prodsupport.mabe.ca/crm/Products/ProductRegistration.aspx

Demande de service

Pour bénéficier du service de réparation d'Électroménagers GE, il suffit de nous contacter. Vous pouvez demander une réparation en ligne à toute heure du jour, au moment qui vous convient le mieux.

Aux États-Unis : GEAppliances.com/service ou appelez au 800.432.2737 pendant les heures normales d'ouverture.

Au Canada : Electromenagersge.ca/fr/soutien/demande-de-service/ ou appelez au 800.561.3344.

Garanties prolongées

Procurez-vous une garantie prolongée Électroménagers GE et informez-vous au sujet des rabais spéciaux offerts tout au long de la durée de votre garantie. Vous pouvez vous la procurer en ligne en tout temps. Le service à la clientèle d'Électroménagers GE sera toujours disponible après expiration de votre garantie.

Aux États-Unis : GEAppliances.com/extended-warranty ou appelez au 800.626.2224 pendant les heures normales d'ouverture.

Au Canada : electromenagersge.ca/fr/soutien/achat-d-une-garantie-prolongee ou appelez au 800.290.9029.

Connectivité à distance

Pour de l'assistance concernant la connectivité réseau sans fil (pour les modèles avec activation à distance), visitez notre site Web à GEAppliances.com/connect ou appelez au 800.220.6899 aux États-Unis.

Au Canada : visitez notre site Web à electromenagersge.ca/fr/nouvelles-et-promotions/nouveautes/wifi-connect/ ou appelez au 800.220.6899

Pièces et accessoires

Les personnes ayant les compétences requises pour réparer elles-mêmes leurs appareils peuvent recevoir directement à la maison des pièces ou accessoires (les cartes VISA, MasterCard et Discover sont acceptées). Commandez en ligne dès aujourd'hui, 24 heures sur 24.

Aux États-Unis : GEApplianceparts.com ou téléphonez au 877.959.8688 pendant les heures normales d'ouverture.

Les directives fournies dans le présent manuel comportent des procédures que n'importe quel utilisateur peut effectuer. Les autres types de réparation doivent généralement être confiés à un technicien qualifié. Faites preuve de prudence : une réparation ou un entretien mal effectué peut rendre l'utilisation de l'appareil dangereuse.

Les clients au Canada doivent consulter les pages jaunes pour connaître le centre de réparation Mabe le plus proche, visiter notre site Web à Electromenagersge.ca/fr/produits/filtres-et-accessoires ou téléphoner au 800.661.1616.

Pour nous joindre

Si vous n'êtes pas satisfait du service après-vente d'Électroménagers GE, communiquez avec nous sur notre site Web en fournissant tous les détails et votre numéro de téléphone, ou écrivez à :

Aux États-Unis : General Manager, Customer Relations | GE Appliances, Appliance Park | Louisville, KY 40225

GEAppliances.com/contact

Au Canada : Directeur, relations avec les consommateurs, Mabe Canada Inc. | 1, Factory Lane, bureau 310 | Moncton, N.-B. E1C 9M3
electromenagersge.ca/fr/contactez-nous



HORNO DE PARED

Eléctrico Incorporado

INFORMACIÓN DE SEGURIDAD ... 3

USO DEL HORNO

Controles del Horno de Pared Simple 6

Controles del Horno de Pared Doble 7

Funciones especiales..... 8

Modo Sabático 9

Estantes del Horno.....10

Papel de Aluminio y Cobertores del Horno...10

Utensilios10

Modos de Cocción 11

Guía de Cocción.....12

CUIDADO Y LIMPIEZA

Horno13

Luz del Horno14

Puerta del Horno15

CONSEJOS PARA LA SOLUCIÓN DE PROBLEMAS16

GARANTÍA LIMITADA.....18

ACCESORIOS19

SOPORTE PARA EL CONSUMIDOR 20

MANUAL DEL PROPIETARIO

- Horno de Pared Simple JKS3000 de 27"
- Horno de Pared Simple JTS3000 de 30"
- Horno de Pared Doble JKD3000 de 27"
- Horno de Pared Doble JTD3000 de 30"

ESPAÑOL

Escriba los números de modelo y serie aquí:

Nº de Modelo _____

Nº de Serie _____

Los podrá encontrar en una etiqueta en el borde lateral o en el frente del horno (inferior) detrás de la puerta del horno.

GRACIAS POR HACER QUE GE APPLIANCES SEA PARTE DE SU HOGAR.

Ya sea que haya crecido usando GE Appliances, o que ésta es su primera vez, nos complace tenerlo en la familia.

Sentimos orgullo por el nivel de arte, innovación y diseño de cada uno de los electrodomésticos de GE Appliances, y creemos que usted también. Entre otras cosas, el registro de su electrodoméstico asegura que podamos entregarle información importante del producto y detalles de la garantía cuando los necesite.

Registre su electrodoméstico GE ahora a través de Internet. Sitios Web y números telefónicos útiles están disponibles en la sección de Soporte para el Consumidor de este Manual del Propietario.

También puede enviar una carta en la tarjeta de inscripción preimpresa que se incluye con el material embalado.



GE APPLIANCES

INFORMACIÓN IMPORTANTE DE SEGURIDAD

LEA TODAS LAS INSTRUCCIONES ANTES DE USAR ESTE ELECTRODOMÉSTICO

⚠ ADVERTENCIA Lea todas las instrucciones de seguridad antes de utilizar este producto. No seguir estas instrucciones puede generar un incendio, una descarga eléctrica, lesiones corporales o la muerte.

⚠ ADVERTENCIA INSTRUCCIONES GENERALES DE SEGURIDAD

- Use este aparato sólo con el objetivo para el que fue creado, como se describe en el Manual del Propietario.
 - Solicite que un instalador calificado instale su electrodoméstico y que esté adecuadamente conectado a tierra, de acuerdo con las instrucciones de instalación provistas.
 - No intente reparar o reemplazar ninguna parte del horno, a menos que se recomiende específicamente en este manual. Cualquier otra reparación deberá ser realizada por un técnico calificado.
 - Antes de realizar cualquier servicio técnico, desconecte el suministro de corriente desde el panel de distribución del hogar, retirando el fusible o desconectando el disyuntor.
 - Si el elemento para calentar en el electrodoméstico desarrolla una mancha brillante o muestra otros signos de daño, no use dicha área del electrodoméstico. Un punto brillante indica que el elemento puede fallar y presentar una posible quemadura, incendio o descarga eléctrica. Apague el electrodoméstico de inmediato y solicítele a un técnico calificado del servicio que reemplace el elemento de calentamiento.
 - Asegúrese de que todos los materiales del embalaje sean retirados del electrodoméstico antes de su uso, a fin de evitar que estos materiales se incendien.
 - Evite rayones o impactos sobre las puertas de vidrio, placas de cocción o paneles de control. Hacer esto podrá producir la rotura de vidrios.
 - No cocine sobre un producto con un vidrio roto. Se podrán producir descargas, incendios o cortes.
 - No deje a los niños solos o sin atención en un área donde un aparato esté en uso. Nunca debe permitirse que se suban, sienten o paren en cualquier parte de este aparato.
- ⚠ PRECAUCIÓN**
- No coloque artículos de interés para los niños sobre los gabinetes que están sobre un aparato – si los niños se trepan sobre el horno para llegar a estos artículos podrían sufrir lesiones graves.
 - Nunca use el electrodoméstico para calentar o calefaccionar la habitación.
 - Sólo use agarraderas secas: las agarraderas húmedas o mojadas colocadas en superficies calientes pueden provocar quemaduras de vapor. No permita que las agarraderas tengan contacto con las unidades de la superficie ni con los elementos para calentar del horno. No utilice toallas u otras telas gruesas en lugar de una agarradera.
 - No toque los quemadores, planchas (en algunos modelos), parrillas (en algunos modelos), la superficie de cocción o los elementos calefactores del horno, ni la superficie interior del horno. Estas superficies podrán permanecer lo suficientemente caliente como para quemar durante un período de tiempo prolongado luego de la cocción, incluso aunque ya no parezcan estar encendidas o calientes.
 - Durante y después del uso, no toque ni permita que telas u otros materiales inflamables toquen cualquier área interior del horno; espere hasta que haya pasado un tiempo suficiente hasta que se enfríen. Otras superficies del electrodoméstico se podrán calentar lo suficiente como para ocasionar lesiones. Las superficies potencialmente calientes incluyen quemadores o elementos calefactores, parrillas (en algunos modelos), superficie de cocción, aberturas de la ventilación del horno, superficies cercanas a las aberturas, grietas alrededor de la puerta del horno, partes con marcos metálicos por encima de la puerta, cualquier protección trasera, o repisas ubicadas encima de una superficie de cocción.
 - No use ningún tipo de papel de aluminio o revestimiento para cubrir la parte inferior del horno o cualquier parte del mismo, excepto como se describe en este Manual del Propietario. Los revestimientos para horno pueden atrapar el calor o derretirse, ocasionando daños sobre el producto y el riesgo de descarga, humo o incendio.
 - No caliente recipientes cerrados de alimentos. Podría haber una acumulación de presión en el recipiente y éste podría explotar, provocando lesiones.
 - Cocine la comida completamente para evitar que se produzcan enfermedades a partir de la comida. El USDA y la FDA brindan las recomendaciones de temperatura mínima para una comida segura. Utilice un termómetro para tomar la temperatura de la comida y haga controles en diferentes ubicaciones.

LEA Y GUARDE ESTAS INSTRUCCIONES

INFORMACIÓN IMPORTANTE DE SEGURIDAD

LEA TODAS LAS INSTRUCCIONES ANTES DE USAR ESTE ELECTRODOMÉSTICO

⚠️ **ADVERTENCIA** MANTENGA LOS MATERIALES INFLAMABLES ALEJADOS DE LA ESTUFA

Si esto no se cumple, se podrán sufrir lesiones personales graves o incendios.

- No almacene o utilice materiales inflamables dentro de un horno o cerca de la estufa, tales como papel, plástico, agarraderas, telas, recubrimientos de pared, cortinas y gasolina u otros vapores y líquidos inflamables.
- Nunca use vestimentas holgadas o amplias mientras utilice el aparato. Estas vestimentas pueden prenderse fuego si entran en contacto con superficies calientes, provocando quemaduras graves.
- No permita que la grasa de la cocción u otros materiales inflamables se acumulen dentro de la estufa o en su cercanía. La grasa dentro del horno o sobre la estufa puede encenderse.
- No guarde materiales inflamables ni ítems sensibles a la temperatura dentro del electrodoméstico.
- Limpie las campanas de ventilación de forma frecuente. No se debe permitir la acumulación de grasa en la campana o el filtro.
- **Funcionamiento Remoto** - Este electrodoméstico permite su configuración para permitir un funcionamiento remoto en cualquier momento.

⚠️ **ADVERTENCIA** EN CASO DE INCENDIO, SIGA LOS SIGUIENTES PASOS PARA EVITAR LA PROPAGACIÓN DEL FUEGO

- No utilice agua en incendios de grasa. Nunca levante una sartén en llamas. Apague los controles. Apague una sartén en llamas sobre una unidad de superficie cubriendo la sartén por completo con una tapa que ajuste bien, una plancha para galletas o una bandeja plana. Utilice un químico seco multiuso o un extintor de incendios de espuma.
- Si hay un incendio en el horno durante el horneado, apáguelo cerrando la puerta del horno y apagando el control o usando un químico seco multiuso o un extintor de incendios de espuma.
- Si hay un incendio en el horno durante la auto-limpieza, apague el horno y espere a que el incendio se consuma. No abra la puerta del horno a la fuerza. El ingreso de aire fresco a temperaturas de auto-limpieza puede provocar una explosión de llamas desde el horno. No seguir esta instrucción puede provocar quemaduras graves.

⚠️ **ADVERTENCIA** INSTRUCCIONES DE SEGURIDAD DEL HORNO

- Manténgase alejado del horno al abrir la puerta del mismo. El aire caliente o el vapor que sale puede causar quemaduras en las manos, rostro y/u ojos.
- Si el elemento para calentar en el electrodoméstico desarrolla una mancha brillante o muestra otros signos de daño, no use dicha área del electrodoméstico. Un punto brillante indica que el elemento para calentar puede fallar y generar una posible quemadura, incendio o descarga eléctrica. Apague el horno de inmediato y solicite a un técnico calificado del servicio que reemplace el elemento para calentar.
- Empujar hacia afuera los estantes hasta los bloqueos de detención o hasta la posición completamente abierta es conveniente para levantar comidas pesadas. Esto también es una precaución contra quemaduras por tocar las superficies calientes de las puertas o las paredes del horno.
- Mantenga desobstruida la ventilación del horno.
- Nunca coloque los utensilios de cocina, piedras para pizza u horneado o cualquier otro tipo de aluminio o cobertor en la base del horno. Estos ítems pueden atrapar el calor o derretirse, ocasionando daños sobre el producto y el riesgo de descargas, humo o incendios.
- Coloque los estantes del horno en la ubicación deseada mientras éste se encuentra frío. Si es necesario mover el estante mientras el horno está caliente, tenga cuidado de evitar tocar superficies calientes y evite que el mango de la olla tenga contacto con el elemento calentador en el horno.
- No deje productos tales como papel, utensilios de cocina ni comida en el horno cuando éste no se encuentre en uso. Los artículos guardados en el horno se pueden incendiar.
- Nunca ase con la puerta abierta.
- Mantenga el horno libre de acumulación de grasa. La grasa del horno se puede incendiar.
- Al usar las bolsas para cocinar o dorar en el horno, siga las instrucciones del fabricante.
- **PELIGRO DE DESCARGA O QUEMADURA:** Antes de reemplazar la bombilla de luz del horno, desconecte la corriente eléctrica del horno desde el fusible principal o desde el panel del disyuntor. Si esto no se cumple, se podrá producir una descarga eléctrica o un incendio.

⚠️ PRECAUCIÓN **RIESGO DE INCENDIO:** La tapa de vidrio y la bombilla de luz se deberán retirar cuando estén frías. Tocar el vidrio caliente sin protección en las manos o con una tela húmeda podrá ocasionar quemaduras.

LEA Y GUARDE ESTAS INSTRUCCIONES

INFORMACIÓN IMPORTANTE DE SEGURIDAD

LEA TODAS LAS INSTRUCCIONES ANTES DE USAR ESTE ELECTRODOMÉSTICO

▲ ADVERTENCIA INSTRUCCIONES DE SEGURIDAD DEL HORNO CON LIMPIEZA AUTOMÁTICA

La función de limpieza automática usa el horno en temperaturas lo suficientemente altas como para consumir la suciedad de comida que haya dentro del horno. Para un funcionamiento seguro, siga estas instrucciones.

- No toque las superficies del horno durante el ciclo de limpieza automática. Mantenga a los niños alejados del horno durante la limpieza automática. Si no se siguen estas instrucciones, se podrán producir quemaduras.
- Antes de utilizar el ciclo de limpieza automática, retire las ollas, estantes de metal brillante del horno y otros utensilios que haya en el horno. Sólo se podrán dejar dentro del horno los estantes para horno de color oscuro con revestimiento de porcelana. No hacer esto podrá ocasionar daños sobre estos ítems y sobre el horno, y presentar una posible quemadura o riesgo de incendio.
- Antes de utilizar el ciclo de limpieza automática, limpie la grasa y restos de comida que haya en el horno. Una cantidad excesiva de grasa se puede incendiar, lo cual puede producir daños con humo en su hogar.
- Si el modo de limpieza automática funciona de forma incorrecta, apague el horno y desconecte el suministro de corriente. Solicite el servicio de un técnico calificado.
- No use una capa protectora para cubrir el horno ni use limpiadores de horno comerciales, a menos que estén certificados para su uso en un horno con limpieza automática.
- No limpie las juntas de la puerta. Las juntas de la puerta son esencial para un buen sellado. Se debe tener cuidado de no frotar, dañar ni mover las junta.
- **IMPORTANTE:** La salud de algunas aves es extremadamente sensible a los humos emitidos durante el ciclo de limpieza automática de cualquier estufa. Coloque las aves en otra habitación bien ventilada.

El equipo de acceso remoto instalado en este horno fue probado y cumple con los límites establecidos para un dispositivo digital de clase B, según la parte 15 de la Normativa de la FCC. Estos límites fueron diseñados para:

(a) brindar una protección razonable contra interferencias nocivas en una instalación residencial. Este equipo genera, usa y puede emitir energía de radiofrecuencia y, si no se instala y utiliza de acuerdo con las instrucciones, puede ocasionar interferencias perjudiciales en las comunicaciones de radio. Sin embargo, no se garantiza que no se presenten interferencias en una instalación en particular. Si el equipo provoca interferencias perjudiciales para la recepción de radio o televisión, lo cual puede comprobar encendiendo y apagando el equipo, se aconseja al usuario que intente corregir la interferencia con una de las siguientes medidas:

- Reoriente o reubique la antena receptora.
 - Aumente la separación entre el equipo y el receptor.
 - Conecte el equipo a un tomacorriente de un circuito diferente del tomacorriente al que se encuentra conectado el receptor.
 - Para solicitar ayuda, consulte con el proveedor minorista o a un técnico experimentado de radio/ TV.
 - (b) tolerar cualquier interferencia recibida, incluyendo las interferencias que puedan provocar un funcionamiento no deseado del dispositivo.
- Observe** que todos los cambios o modificaciones sobre el dispositivo de comunicación inalámbrico instalado en este horno que no estén expresamente aprobados por el fabricante podrían anular la autoridad del usuario para operar el equipamiento.

FORMA ADECUADA DE DESCARTAR SU ELECTRODOMÉSTICO

Descarte o recicle su electrodoméstico de acuerdo con las Regulaciones Federales y Locales. Comuníquese con las autoridades locales para descartar o reciclar su electrodoméstico de forma ambientalmente segura.

Cómo Retirar la Película Protectora de Envío y la Cinta de Embalaje

Con cuidado tome un extremo de la película protectora de envío con los dedos y lentamente retire la misma de la superficie del electrodoméstico. No utilice ningún producto filoso para retirar la película. Retire toda la película antes de usar el electrodoméstico por primera vez.

Para asegurar que no haya daños sobre el acabado del producto, la forma más segura de retirar el adhesivo de la cinta

de embalaje en electrodomésticos nuevos es aplicando un detergente líquido hogareño para lavar platos. Aplique con una tela suave y deje que se seque.

NOTA: El adhesivo deberá ser eliminado de todas las partes. No se puede retirar si se hornea con éste dentro.

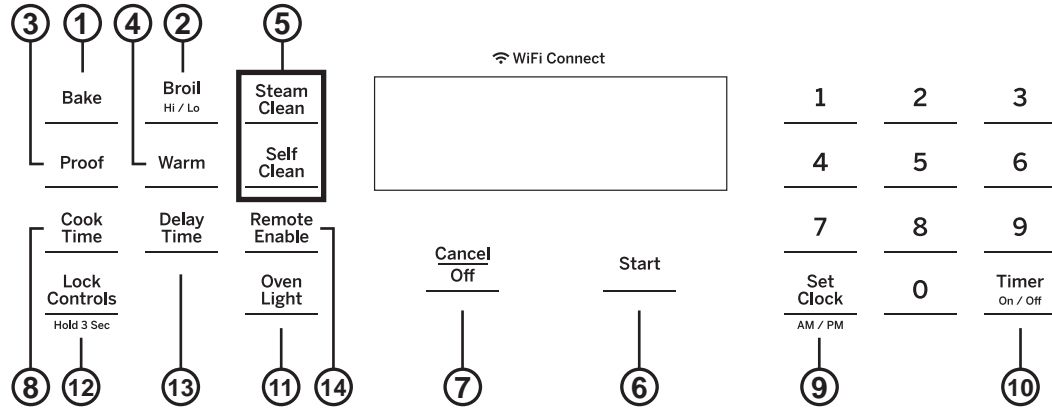
Tenga en cuenta las opciones de reciclaje del material de embalaje de su electrodoméstico.

NOTA: Algunos funciones y características de cocción no estarán disponibles hasta que conecte su horno nuevo al WiFi de su red hogareña local inalámbrica. Por favor siga las instrucciones del control del horno y la sección de WiFi y Remote Enable (Acceso Remoto) de esta guía. Esto brindará capacidad para el uso de las funciones de la aplicación SmartHQ y asegurará que el horno cuenta con el software más reciente.

LEA Y GUARDE ESTAS INSTRUCCIONES

Controles del Horno de Pared Simple

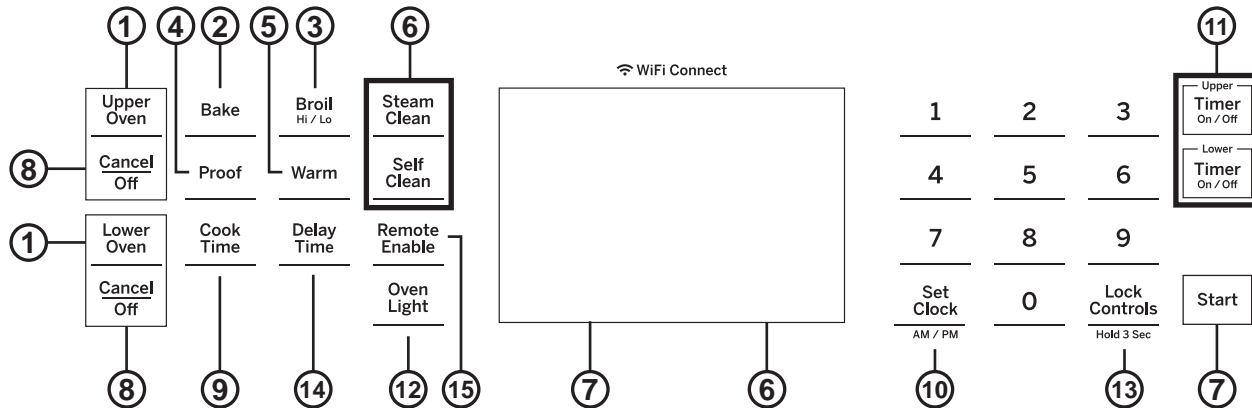
Las formas del botón de control son representativas; su horno puede contar con formas de botones alternativos.



- 1. Bake (Hornear):** Presione esta tecla para seleccionar la función para hornear. Para más información, consulte la sección de Modos de Cocción.
- 2. Broil (Asar):** Presione esta tecla para seleccionar la función asar. Para más información, consulte la sección de Modos de Cocción.
- 3. Proof (Leudar):** Ayuda a elevar el pan con levadura. Para más información, consulte la sección de Modos de Cocción.
- 4. Warm (Calentar):** Mantiene la comida caliente. Para más información, consulte la sección de Modos de Cocción.
- 5. Clean (Limpieza):** El horno cuenta con dos modos de limpieza: Self Clean (Limpieza Automática) y Steam Clean (Limpieza con Vapor). Para acceder a información importante sobre el uso de estos modos, consulte la sección de Limpieza del Horno.
- 6. Start (Iniciar):** Se deberá presionar para comenzar cualquier función de cocción, limpieza o por tiempo.
- 7. Cancel/Off (Cancelar/ Apagar):** Cancelar TODAS las operaciones del horno excepto el reloj y el temporizador.
- 8. Cook Time (Tiempo de Cocción):** Cuenta el tiempo de cocción y apaga el horno cuando el tiempo de cocción está completo. Inicie el modo para hornear o calentar, pero no presione **Start (Iniciar)**. Presione la tecla **Cook Time (Tiempo de Cocción)**, use las teclas numéricas para programar un tiempo de cocción en horas y minutos, y luego presione **Start (Iniciar)**.
- 9. Set Clock (Configurar Reloj):** Configure la hora del reloj del horno: Presione la tecla **Set Clock (Configurar Reloj)** y las teclas numéricas para programar el reloj. Presione **Set Clock (Configurar Reloj)** para pasar de AM a PM. Presione **Start (Iniciar)** para guardar la configuración de la hora.
- 10. Timer (Temporizador):** Funciona como un temporizador con cuenta regresiva: Presione la tecla **Timer (Temporizador)** y las teclas numéricas para programar el tiempo en horas y minutos. Presione la tecla **Start (Iniciar)**. El control emitirá un pitido cuando falte 1 minuto y la pantalla mostrará los segundos hasta que el temporizador alcance :00 luego de la cuenta regresiva. El horno continuará funcionando cuando la cuenta regresiva del temporizador se haya completado. Para apagar el temporizador, presione la tecla **Timer (Temporizador)**.
- 11. Oven Light(s) (Luz(es) del Horno):** Enciende o apaga la luz(es) del horno. Observe que abrir una puerta sólo enciende la luz de ese horno.
- 12. Lock Controls (Controles de Bloqueo):** Bloquean el control de modo que al presionar las teclas no se activen los controles. Mantenga presionada la tecla **Lock Controls (Controles de Bloqueo)** durante tres segundos para bloquear o desbloquear el control. La función **Cancel/Off (Cancelar/ Apagar)** siempre está activa, incluso cuando el control está bloqueado. Bloquear los controles cancelará funciones activas pero no el temporizador.
- 13. Delay Time (Tiempo de Retraso):** Genera un retraso cuando el horno es encendido. Use esta tecla para configurar el momento en que desea que el horno se inicie. Inicie el modo para hornear o de limpieza automática, pero no presione **Start (Iniciar)**. Presione la tecla **Delay Time (Tiempo de Retraso)** y use las teclas numéricas para programar la hora del día en que desea que el horno se encienda, y luego presione **Start (Iniciar)**. Si lo desea, con la función para hornear también se podrá programar un tiempo de cocción. Siga las instrucciones de **Cook Time (Tiempo de Cocción)** para configurar esta función. Sólo se puede usar con los modos Bake (Hornear) y Self-Clean (Auto Limpieza).
NOTA: Al usar la función de tiempo de retraso, las comidas que se echan a perder rápidamente, tales como leche, huevos, pescado, rellenos, ave y cerdo, no se deberán dejar reposar por más de 1 hora antes y después de la cocción. La temperatura ambiente estimula el desarrollo de bacterias nocivas. Asegúrese de que la luz del horno esté apagada, ya que el calor de la lámpara acelerará el crecimiento de bacterias nocivas.
- 14. Remote Enable (Acceso Remoto):**
CÓMO CONECTAR EL HORNO
Off (Apagado) - El horno no está conectado. Abra la aplicación y luego mantenga presionada la tecla **Remote Enable (Acceso Remoto)** durante 5 segundos para iniciar el proceso de conexión.
Slow flash (parpadeo lento) - El horno está en modo de búsqueda y está buscando una red.
Rapid flash (parpadeo rápido) - Se produjo un error durante el proceso de conexión.
Solid (Sólido) - El horno está conectado a la red y puede ser controlado en forma remota a través de un dispositivo móvil conectado cuando está en funcionamiento, pero no puede ser iniciado en forma remota.
INICIO DEL HORNO EN FORMA REMOTA **REMOTE (Remoto)**
Para poder iniciar el horno en forma remota, presione la tecla **Remote Enable (Acceso Remoto)** y el ícono **REMOTE (Remoto)** se encenderá en la pantalla. El horno puede ser iniciado ahora en forma remota con un dispositivo conectado. El ícono **REMOTE (Remoto)** debe estar iluminado para iniciar el horno de forma remota. No se requiere el ícono **REMOTE (Remoto)** para cambiar las configuraciones del horno o para apagar el mismo. Luego de usar el horno, recuerde verificar que el ícono **REMOTE (Remoto)** esté iluminado, si desea iniciar el horno de forma remota en el futuro.

Controles del Horno de Pared Doble

Las formas del botón de control son representativas; su horno puede contar con formas de botones alternativos.



- Upper Oven and Lower Oven (Horno Superior y Horno Inferior):** Designa qué horno operarán los controles.
- Bake (Hornear):** Presione esta tecla para seleccionar la función para hornear. Para más información, consulte la sección de Modos de Cocción.
- Broil (Asar):** Presione esta tecla para seleccionar la función asar. Para más información, consulte la sección de Modos de Cocción.
- Proof (Leudar):** Ayuda a elevar el pan con levadura. Para más información, consulte la sección de Modos de Cocción. Se deberá observar que la función para leudar no se podrá activar cuando se esté usando un modo de limpieza en el horno inferior.
- Warm (Calentar):** Mantiene la comida caliente. Para más información, consulte la sección de Modos de Cocción.
- Clean (Limpieza):** El horno cuenta con dos modos de limpieza: Self Clean (Limpieza Automática) y Steam Clean (Limpieza con Vapor). Para acceder a información importante sobre el uso de estos modos, consulte la sección de Limpieza del Horno.
- Start (Iniciar):** Se deberá presionar para comenzar cualquier función de cocción, limpieza o por tiempo.
- Cancel/Off (Cancelar/ Apagar):** Cancelar TODAS las operaciones del horno excepto el reloj y el temporizador.
- Cook Time (Tiempo de Cocción):** Cuenta el tiempo de cocción y apaga el horno cuando el tiempo de cocción está completo. Inicie el modo para hornear o calentar, pero no presione **Start (Iniciar)**. Presione la tecla **Cook Time (Tiempo de Cocción)**, use las teclas numéricas para programar un tiempo de cocción en horas y minutos, y luego presione **Start (Iniciar)**.
- Set Clock (Configurar Reloj):** Configure la hora del reloj del horno: Presione la tecla **Set Clock (Configurar Reloj)** y las teclas numéricas para programar el reloj. Presione **Set Clock (Configurar Reloj)** para pasar de AM a PM. Presione **Start (Iniciar)** para guardar la configuración de la hora.
- Timer (Temporizador):** Funciona como un temporizador con cuenta regresiva: Presione la tecla **Timer (Temporizador)** y las teclas numéricas para programar el tiempo en horas y minutos. Presione la tecla **Start (Iniciar)**. El control emitirá un pitido cuando falte 1 minuto y la pantalla mostrará los segundos hasta que el temporizador alcance :00 luego de la cuenta regresiva. El horno continuará funcionando cuando la cuenta regresiva del temporizador se haya completado. Para apagar el temporizador, presione la tecla **Timer (Temporizador)**.
- Oven Light(s) (Luz(es) del Horno):** Enciende o apaga la luz(es) en ambos hornos. Observe que abrir una puerta sólo enciende la luz de ese horno.

- Lock Controls (Controles de Bloqueo):** Bloquean el control de modo que al presionar las teclas no se activen los controles. Mantenga presionada la tecla **Lock Controls (Controles de Bloqueo)** durante tres segundos para bloquear o desbloquear el control. La función **Cancel/Off (Cancelar/ Apagar)** siempre está activa, incluso cuando el control está bloqueado. Bloquear los controles cancelará funciones activas pero no el temporizador.
- Delay Time (Tiempo de Retraso):** Genera un retraso cuando el horno es encendido. Use esta tecla para configurar el momento en que desea que el horno se inicie. Inicie el modo para hornear o de limpieza automática, pero no presione **Start (Iniciar)**. Presione la tecla **Delay Time (Tiempo de Retraso)** y use las teclas numéricas para programar la hora del día en que desea que el horno se encienda y luego presione **Start (Iniciar)**. Si lo desea, con la función para hornear también se podrá programar un tiempo de cocción. Siga las instrucciones de Cook Time (Tiempo de Cocción) para configurar esta función. Sólo se puede usar con los modos Bake (Hornear) y Self-Clean (Auto Limpieza).
NOTA: Al usar la función de tiempo de retraso, las comidas que se echan a perder rápidamente, tales como leche, huevos, pescado, rellenos, ave y cerdo, no se deberán dejar reposar por más de 1 hora antes y después de la cocción. La temperatura ambiente estimula el desarrollo de bacterias nocivas. Asegúrese de que la luz del horno esté apagada, ya que el calor de la lámpara acelerará el crecimiento de bacterias nocivas.
- Remote Enable (Acceso Remoto):**

CÓMO CONECTAR EL HORNO

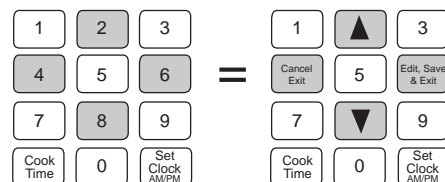
- Off (Apagado)** - El horno no está conectado. Abra la aplicación y luego mantenga presionada la tecla **Remote Enable (Acceso Remoto)** durante 5 segundos para iniciar el proceso de conexión.
- Slow flash (parpadeo lento)** - El horno está en modo de búsqueda y está buscando una red.
- Rapid flash (parpadeo rápido)** - Se produjo un error durante el proceso de conexión.
- Solid (Sólido)** - El horno está conectado a la red y puede ser controlado en forma remota a través de un dispositivo móvil conectado cuando está en funcionamiento, pero no puede ser iniciado en forma remota.

INICIO DEL HORNO EN FORMA REMOTA

Para poder iniciar el horno en forma remota, presione la tecla **Remote Enable (Acceso Remoto)** y el ícono **REMOTE (Remoto)** se encenderá en la pantalla. El horno puede ser iniciado ahora en forma remota con un dispositivo conectado. El ícono **REMOTE (Remoto)** debe estar iluminado para iniciar el horno de forma remota. No se requiere el ícono **REMOTE (Remoto)** para cambiar las configuraciones del horno o para apagar el mismo. Para desconectar su teléfono de la función Remote Enable (Acceso Remoto Activado), presione la tecla **Remote Enable (Acceso Remoto Activado)** y el ícono **REMOTE (Remoto)** se apagará. Luego de usar el horno, recuerde verificar que el ícono **REMOTE (Remoto)** esté iluminado, si desea iniciar el horno de forma remota en el futuro.

Funciones especiales

Existen varias funciones especiales en su horno de pared. Para modificar las configuraciones de estas funciones especiales, mantenga presionadas las teclas **Bake (Hornear)** y **Broil (Asar)** al mismo tiempo durante tres segundos. “**ⓁⓁⓁⓁⓁⓁ**” (“**ⓁⓁⓁⓁⓁⓁ**” en hornos dobles) se visualizará en la pantalla. Para cada una de las siguientes funciones, seleccione y edite la función que desee cambiar usando las teclas **8** y **2** para girar hacia arriba o abajo, la tecla **6** para editar (o **Save (Guardar)** y **Salir**), y la tecla **4** para regresar al menú anterior sin guardar cambios.



Ajuste de la Temperatura del Horno (ⓁⓁⓁⓁⓁⓁ)

Esta función permite que la temperatura de horneado del horno sea ajustada hasta 35°F más caliente o 35°F más fría. Use esta función si piensa que la temperatura de su horno es demasiado caliente o demasiado fría y desea modificarla. **Para los modelos con horno doble, los hornos superior e inferior se ajustan de forma separada.** No use termómetros, tales como los que se encuentran en tiendas, para controlar la configuración de temperatura del horno. Estos termómetros pueden variar entre 20 y 40 grados. Navegue hasta “**ⓁⓁⓁⓁⓁⓁ**” para hornos simples, “**ⓁⓁⓁⓁⓁⓁ**” para el horno superior u “**ⓁⓁⓁⓁⓁⓁ**” para el horno inferior. Presione **6** para editar el desplazamiento. Se visualizará “0” o un número entre + y – 35. Presione **2** para incrementar, y **8** para reducir. -35 a +35 es el rango de desplazamiento disponible. Presione **6** para guardar y salir. Presione **4** para salir sin guardar cambios.

Volumen del Sonido (ⓁⓁⓁⓁⓁⓁ)

Esta función permite que el volumen del tono sea ajustado. Navegue hasta “**ⓁⓁⓁⓁⓁⓁ**” (Sonido) y presione **6** para visualizar o cambiar la configuración actual. Realizar el desplazamiento le permitirá escuchar cada nivel de volumen.

Sonido de Finalización del Temporizador (ⓁⓁⓁⓁⓁⓁ)

Se trata de un tono que indica la finalización de un temporizador. El tono puede ser continuo “**ⓁⓁⓁⓁⓁⓁ**” o un pitido repetido “**ⓁⓁⓁⓁⓁⓁ**”. Una configuración continua seguirá haciendo que un tono suene hasta que un botón del control sea presionado. Navegue hasta “**ⓁⓁⓁⓁⓁⓁ**” y presione **6** para visualizar o cambiar la configuración actual.

Selección de Temperatura Fahrenheit o Celsius (ⓁⓁⓁⓁⓁⓁ)

El control del horno está configurado para su uso con temperaturas Fahrenheit (F), pero lo puede modificar a temperaturas Celsius (C). Navegue hasta “**ⓁⓁⓁⓁⓁⓁ**” y presione **6** para visualizar o cambiar la configuración actual.

Pantalla del Reloj (ⓁⓁⓁⓁⓁⓁ)

Esta función enciende o apaga el reloj en la pantalla. Navegue hasta “**ⓁⓁⓁⓁⓁⓁ**” y presione **6** para visualizar o cambiar la configuración actual.

Configuración del Reloj (ⓁⓁⓁⓁⓁⓁ)

Esta función especifica cómo la hora del día será exhibida o si la misma no se exhibirá. Puede seleccionar la pantalla del reloj estándar de 12 horas (ⓁⓁⓁⓁ) o de tipo militar de 24 horas (ⓁⓁⓁⓁ). Navegue hasta “**ⓁⓁⓁⓁⓁⓁ**” y presione **6** para visualizar o cambiar la configuración actual.

Apagado en 12 Horas (ⓁⓁⓁⓁ)

Cuando esta función sea activada, el horno se apagará de forma automática luego de 12 horas de uso continuo. Navegue hasta “**ⓁⓁⓁⓁ**” y presione **6** para visualizar o cambiar la configuración actual.

Modo Sabático

Modo Sabático

El modo sabático desactiva las luces del horno (la luz del horno no se encenderá cuando la puerta sea abierta), todos los sonidos (el control no emitirá un pitido cuando se presione un botón), los modos de Asado, Calentar, Leudar, Tiempo de Cocción, Temporizador, Reloj, y las funciones de Tiempo Retrasado. El modo sabático sólo puede ser usado con la función Bake (Hornear). Esta función se activa conforme con los requisitos Sabáticos Judíos.

Configuración del Modo Sabático

1. Mantenga presionadas las teclas **Bake (Hornear)** y **Broil (Asar)** durante 3 segundos para ingresar al modo de funciones especiales.
2. Presione las teclas **0** y **2** para desplazarse hacia arriba o abajo hasta que se visualice "SABBATH" en la pantalla. Use la tecla **6** para visualizar y editar la configuración actual, **2** y **8** para cambiar la configuración, y **6** nuevamente para acceder a **Save (Guardar)**, **4** para salir del modo Special Features (Funciones Especiales) y Start Sabbath (Iniciar Modo Sabático). (De forma alternativa, use la tecla **4** para regresar al menú anterior desde el menú Sabbath (Sabático) sin guardar los cambios). Aparecerá una **]** en la pantalla y el reloj no será exhibido.

Observe que si cuenta con un horno de pared doble, al colocar el control en el modo Sabático, ambos hornos están ahora en el modo sabático y están disponibles para la cocción.

Inicio del Horneado Continuo

1. Presione la tecla **Bake (Hornear)**. (Para hornos dobles, permite utilizar el horno superior. Si se desea usar el Horno Inferior, presione Lower Oven (Horno Inferior) y luego Bake (Hornear).)
2. Si la temperatura deseada es 350°F, presione **Start/Enter (Iniciar/Ingresar)**. Si se desea una temperatura de cocción diferente, use las teclas numéricas de **1** a **5** para seleccionar una temperatura de cocción predeterminada, y luego presione **Start/Enter (Iniciar/Ingresar)**. Consulte el siguiente gráfico para determinar qué tecla configura la temperatura de cocción deseada.

Luego de una demora, un segundo corchete "]" [" aparecerá en la pantalla, indicando que el horno está horneando.

Temperatura (°F)	1	2	3
	200	250	300
Tiempo (horas)	4	5	6
	325	400	2h
	7	8	9
	2.5h	3h	3.5h
	Cancel Off	0	Start Enter
		Lock Controls Hold 3 Sec	
		4h	

1 = 200° F, 2 = 250° F, 3 = 300° F, 4 = 325° F, 5 = 400° F

6 = 2 horas, 7 = 2.5 horas 8 = 3 horas, 9 = 3.5 horas, 0 = 4 horas

Ajuste de Temperatura

Presione **Bake (Hornear)** (o presione Lower Oven (Horno Inferior) y luego Bake (Hornear) para usar el horno inferior en un unidad con horno doble), use las teclas numéricas de **1** a **5** para seleccionar una temperatura de cocción actual diferente, y presione **Start/Enter (Iniciar/Ingresar)**.

Inicie un Horneado por Tiempo

1. Presione la tecla **Bake (Hornear)**.
2. Si la temperatura deseada es de 350°F, use las teclas numéricas de **6** a **0** para seleccionar un tiempo de cocción. Si se desea una temperatura de cocción diferente a 350°F, use las teclas numéricas de **1** a **5** para seleccionar una temperatura de cocción predeterminada, y luego seleccione el tiempo de cocción. Consulte el gráfico en esta página para determinar qué tecla configura la temperatura de cocción deseada y el tiempo de cocción.
3. Presione **Start/Enter (Iniciar/Ingresar)**.

Luego de una demora, un segundo corchete "]" [" aparecerá en la pantalla, indicando que el horno está horneando. Cuando el tiempo de cocción finalice, la pantalla volverá a cambiar a un solo corchete "]", indicando que el horno ya no está horneando. No sonará ningún tono cuando el tiempo de cocción se haya completado.

Apagado del Horno

Para apagar el horno, presione **Cancel/Off (Cancelar/ Apagar)** en cualquier momento. **El horno se apagará inmediatamente** y el ícono, **]** cambiará a **]**, indicando que el horno fue apagado.

NOTA: Cada horno de un horno de pared doble se deberá apagar por separado.

Salir del Modo Sabático

Para salir del modo sabático, asegúrese de que el horno esté apagado. Mantenga presionadas las teclas **Bake (Hornear)** y **Broil (Asar)** durante 3 segundos para ingresar a las funciones especiales, y luego presione **2** u **8** para desplazarse hasta "SABBATH", **6** para editar, **2** u **8** para cambiar la configuración a **Off (Apagar)**, **6** para guardar las configuraciones, y **4** para salir de los menús Special Features (Funciones Especiales). El reloj regresará a la pantalla cuando el modo Sabbath (Sabático) se encuentre apagado.

Aviso de Corte de Corriente durante el Modo Sabático

Si se produce un corte de corriente durante el modo Sabático, la unidad permanecerá en el modo Sabático pero apagada cuando vuelva la corriente.

Estantes del Horno

El horno cuenta con seis posiciones de estantes. En la Guía de Cocción, se brindan recomendaciones de posiciones de los estantes para diferentes tipos de comidas. Se ajusta un estante en una dirección para afectar los resultados de cocción. Por ejemplo, si se prefieren partes superiores más oscuras en tartas, panecillos o galletas, pruebe moviendo la comida a un estante que se encuentre una posición más arriba. Si encuentra que las comidas están demasiado doradas en la parte superior, pruebe moviendo las mismas más abajo la próxima vez.

Al hornear con múltiples ollas y en múltiples estantes, asegúrese de que haya por lo menos 1 ½" entre las ollas, a fin de dejar suficiente espacio para que fluya el aire.

Para evitar posibles quemaduras, coloque los estantes en la posición deseada antes de encender el horno.

Estantes Planos Tradicionales

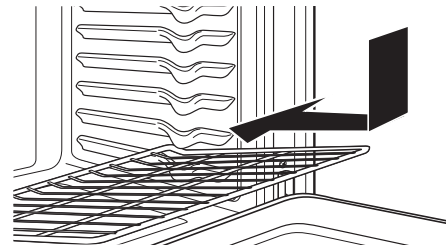
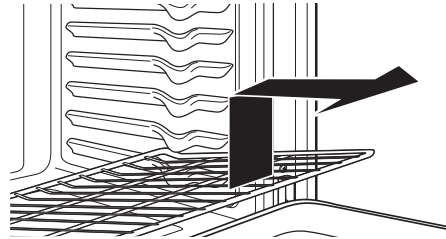
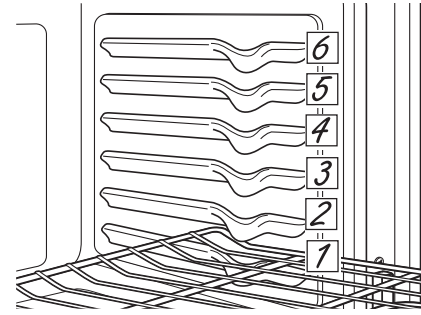
Al colocar y retirar utensilios de cocina, empuje el estante hacia afuera del tope (posición de detención) sobre el soporte del estante.

Para retirar el estante, empuje el mismo hacia usted, incline el extremo frontal hacia arriba y empuje hacia afuera.

Para hacer un reemplazo, coloque el extremo curvo del estante (bloqueadores) en los soportes del horno, incline hacia arriba el frente y empuje el estante hacia adentro.

Es posible que resulte difícil deslizar los estantes, especialmente luego de la limpieza automática. Coloque un poco de aceite vegetal en una tela suave o papel y frote el mismo sobre los extremos izquierdos y derechos de los estantes.

NOTA: El uso de otros aceites de cocina provocará una descoloración o un residuo de color similar al óxido en los estantes y laterales de las cavidades. Para limpiar este residuo, use agua y jabón o una solución de vinagre y agua. Enjuague con agua limpia y seque con una tela seca.



Papel de Aluminio y Cobertores del Horno

⚠ PRECAUCIÓN

No use ningún tipo de aluminio o cobertor de horno para cubrir el fondo del horno. Estos ítems pueden atrapar el calor o derretirse, ocasionando daños sobre el producto y el riesgo de descargas, humo o incendios. Los daños por uso inadecuado de estos ítems no están cubiertos por la garantía del producto.

Se podrá usar aluminio para evitar derrames, colocando una hoja sobre un estante inferior varias pulgadas debajo de la comida. No use más aluminio que el necesario y nunca cubra totalmente el estante de un horno con papel de aluminio. Mantenga el aluminio a por lo menos 1 1/2" de las paredes del horno, para evitar una circulación deficiente del calor.

Utensilios

Pautas de Uso de Utensilios

El material, el acabado y el tamaño de los utensilios afectan el horneado.

Las ollas oscuras, revestidas y opacas absorben el calor más rápidamente que las ollas claras y brillantes. Al usar ollas que absorben el calor más rápidamente, las comidas podrán resultar más doradas, crocantes y con una capa más gruesa.

Si utiliza utensilios oscuros y revestidos, controle la comida antes del tiempo mínimo de cocción. Si se obtienen resultados no deseados con este tipo de utensilios, considere la posibilidad de reducir la temperatura del horno en 25° F la próxima vez.

Las ollas brillantes pueden producir resultados de horneado más parejos en tortas y galletas.

Las ollas de vidrio y cerámica calientan con lentitud, pero retienen bien el calor.

Estos tipos de ollas funcionan bien con platos tales como tartas y postres con natilla.

Las ollas con aislante de aire calientan lentamente y pueden producir fondos dorados.

Mantenga los utensilios limpios para una cocción más pareja.

Modos de Cocción

Su nuevo horno posee una variedad de modos de cocción para que pueda obtener los mejores resultados. Estos modos se describen a continuación. Para acceder a recomendaciones para comidas específicas, consulte la sección de la Guía de Cocción. Recuerde que es posible que su nuevo horno funcione de manera diferente que aquel que está reemplazando.

Hornear

El modo de horneado es utilizado para hornear y dorar. Este modo usa el calor principalmente desde el elemento inferior, pero también desde el elemento superior para cocinar la comida. Al preparar comidas horneadas tales como tartas, galletas y masas, siempre precaliente el horno primero. Siga las recomendaciones de la receta sobre la colocación de la comida. Si no se brindan pautas, centre la comida en el horno. Para usar este modo, presione la tecla **Bake (Hornear)**, ingrese una temperatura, y luego presione **Start (Iniciar)**.

Leudar

El modo Proof (Leudar) está diseñado para elevar (fermentar y leudar) masas de pan. Presione la tecla **Proof (Leudar)** y luego presione **Start (Iniciar)**. Cubra bien la masa para evitar que se seque. El pan se elevará más rápidamente que a temperatura ambiente. Se deberá observar que con los hornos de pared doble, la función para leudar no se podrá activar cuando se esté usando un modo de limpieza automática en el otro horno.

Calentar

El modo Warm (Calentar) está diseñado para mantener comidas calientes hasta durante 3 horas. Para usar este modo, presione la tecla **Warm (Caliente)** y luego presione **Start (Iniciar)**. Cubra las comidas que necesitan mantener la humedad y no cubra aquellas comidas que deberían quedar crocantes. No se requiere precalentar las mismas. No use la función Warm (Calentar) para calentar comida fría, excepto galletas crujientes, papas fritas o cereales secos. También se recomienda que la comida no se mantenga caliente por más de dos horas.

Modo para Asar

Siempre ase con la puerta cerrada. El elemento para asar en el horno es muy potente. Monitoree la comida de cerca al asar. Tenga cuidado al asar en posiciones de estantes superiores, ya que colocar la comida más cerca del elemento para asar incrementa el humo, salpicaduras y la posibilidad de que se incendien las grasas. **No se recomienda asar en el estante de la posición 6.**

Intente asar las comidas que normalmente haría a la parrilla. Ajuste las posiciones de los estantes para ajustar la intensidad del calor a la comida. Coloque las comidas más cerca del elemento para asar, cuando se desee una superficie más cocinada y un interior poco cocido. Las comidas más gruesas y las comidas cuyo interior debe ser cocinado deberían ser asadas en un estante en una posición alejada del usado para asar, o usando las funciones Broil Lo (Asar Bajo).

Asar Alto

El modo Broil Hi (Asar Alto) usa calor intenso del elemento superior para soasar las comidas. Use la función Broil Hi (Asado Alto) para cortes más delgados de carne y/o comidas que prefiera que queden menos cocinadas en su interior. Para usar este modo, presione la tecla **Broil (Asar)** una vez en **Traditional (Tradicional)** y luego presione **Start (Iniciar)**. No es necesario realizar el precalentamiento al usar este modo.

Asar Bajo

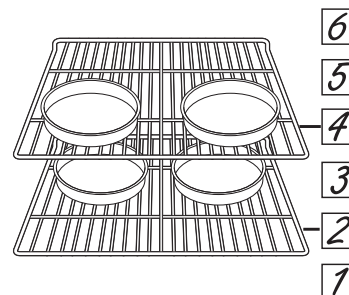
El modo Broil Lo (Asar Bajo) usa menos calor intenso del elemento superior para cocinar la comida completamente mientras también se realiza el dorado superficial. Use la función Broil Lo (Asado Bajo) para cortes de carne más gruesos y/o comidas que desee que queden completamente cocinadas. Para usar este modo, presione la tecla **Broil (Asar)** **dos veces** y luego presione **Start (Iniciar)**. No es necesario realizar el precalentamiento al usar este modo.

Guía de Cocción

TIPO DE COMIDA	MODO(S) RECOMENDADO(S)	POSICIÓN(ES) DE ESTANTES RECOMENDADA	SUGERENCIAS ADICIONALES
Productos Horneados			
Tortas con capas, tortas rectangulares, roscas, panecillos, pan rápido en un Solo Estante	Hornear	3	Use utensilios brillantes.
Tortas con capas* en Múltiples Estantes	Hornear	2 y 4	Asegúrese de que haya un flujo de aire adecuado (Vea la ilustración).
Tortas de grasa (pastel de ángel)	Hornear	1	Use utensilios brillantes.
Galletas, galletitas, bizcochitos en un Solo Estante	Hornear	3	Use utensilios brillantes.
Galletas, galletitas, bizcochitos en Múltiples Estantes	Hornear	2 y 4 1, 3 y 5	Con comidas tales como galletas con azúcar, cambie la ubicación de la comida parcialmente durante la cocción, a fin de lograr resultados de cocción más parejos entre los estantes.
Bife y Cerdo			
Hamburguesas	Asar Alto	5	Use una olla para asa; precaliente 5 minutos si usará el Modo para Asar por Convección. Mueva la comida hacia abajo para que quede más preparada y menos soasada. Preste atención a la comida al asarla. Para un mejor rendimiento, centre la comida debajo del elemento que emite calor para asar.
Bifes y Chuletas	Asar Alto	5	Use una olla para asar; Mueva la comida hacia abajo para que quede más preparada y menos soasada. Preste atención a la comida al asarla. Para un mejor rendimiento, centre la comida debajo del elemento que emite calor para asar.
Dorados	Hornear	2	Deje sin cubrir, use una olla chata tal como una olla para asar. No se requiere precalentarla.
Ave			
Pollo entero	Hornear	2	Use una olla chata tal como una olla para asar. No se requiere precalentarla.
Pechugas, patas, muslos con huesos	Asado Bajo Hornear	3	Ase del lado de la piel hacia abajo primero. Preste atención a la comida al asarla. Para un mejor rendimiento, centre la comida debajo del elemento que emite calor para asar.
Pechugas de pollo deshuesadas	Asado Bajo Hornear	3	Mueva la comida más abajo para que quede más preparada y menos soasada y más arriba para soasar/ dorar al asar. Para un mejor rendimiento, centre la comida debajo del elemento que emite calor para asar.
Pavo entero	Hornear	1 o 2	Use una olla chata tal como una olla para asar. No se requiere precalentarla.
Pechuga de Pavo	Hornear	2	Use una olla chata tal como una olla para asar. No se requiere precalentarla.
Pescado	Asado Bajo	5 (mitad del grosor o menos) 4 (>1/2 pulgada)	Precaliente 5 minutos al Asar por Convección. Preste atención a la comida al asarla. Para un mejor rendimiento, centre la comida debajo del elemento que emite calor para asar.
Cazuelas	Hornear	3	
Comidas Congeladas a Conveniencia			
Productos con papa, patitas de pollo fritas, aperitivos en un Solo Estante	Hornear	3	Use utensilios brillantes.
Productos con papa, patitas de pollo fritas, aperitivos en Múltiples Estantes	Hornear	2 y 4	Use utensilios brillantes. Cambie la ubicación de la comida parcialmente durante la cocción, a fin de obtener resultados de cocción más parejos.

*Al hornear cuatro tortas con capas a la vez, use los estantes 2 y 4. Coloque las ollas como se muestra, de modo que no quede una olla encima de la otra.

Cocine la comida completamente para evitar que se produzcan enfermedades a partir de la comida. Puede encontrar recomendaciones sobre temperatura mínima para cocinar de forma segura en IsItDoneYet.gov. Asegúrese de usar un termómetro de comidas para medir la temperatura de las mismas.



Horno

Asegúrese de que la corriente eléctrica esté apagada y que todas las superficies estén frías antes de limpiar cualquier parte del horno.

Panel de Control

Una buena idea es limpiar el panel de control luego de cada uso. Limpie con un jabón suave y agua o vinagre y agua, enjuague con agua limpia y pule en seco con una tela suave.

No use limpiadores abrasivos, limpiadores líquidos fuertes, almohadillas para fregar de plástico ni limpiadores de horno en el panel de control; dañarán el acabado.

Exterior del Horno

No use limpiadores de horno, limpiadores abrasivos, limpiadores líquidos fuertes, estropajos de acero, almohadillas para fregar de plástico, ni polvos limpiadores en el interior o el exterior del horno. Limpie el mismo con agua y jabón o una solución de vinagre y agua. Enjuague con agua limpia y seque con una tela seca. Al limpiar superficies, asegúrese de que estén a temperatura ambiente y fuera del contacto con

la luz solar. Si las manchas en el borde de la ventana de la puerta son persistentes, use un limpiador abrasivo suave o una esponja con estropajo para obtener un mejor resultado. El derrame de adobo, jugos de fruta, salsas de tomate y líquidos para humedecer que contengan ácidos pueden ocasionar descoloración y se deberán limpiar de inmediato. Deje que las superficies calientes se enfríen, y luego limpie y enjuague.

Superficies de Acero Inoxidable (en algunos modelos)

No use virutas de acero; éstas dañarán la superficie.

Para limpiar la superficie de acero inoxidable, use agua tibia con jabón o un limpiador o pulidor para acero inoxidable. Siempre limpie la superficie en la dirección del veteado. Siga las instrucciones del limpiador para limpiar la superficie de acero inoxidable.

Los limpiadores con ácido oxálico tales como Bar Keepers Friend Soft Cleanser™ eliminarán el óxido, deslustres y

pequeñas manchas sobre la superficie. Use sólo un limpiador líquido libre de material abrasivo y frote en la dirección de las líneas del cepillo con una esponja suave y húmeda.

Para realizar consultas sobre la adquisición de productos, incluyendo limpiadores o pulidores para electrodomésticos de acero inoxidable, lea las secciones de Asistencia y Accesorios, en el comienzo de este manual.

Interior del Horno

El interior de su nuevo horno puede ser limpiado de forma manual o utilizando los modos Steam Clean (Limpieza con Vapor) o Self Clean (Limpieza Automática).

El derrame de adobo, jugos de fruta, salsas de tomate y líquidos para humedecer que contengan ácidos pueden ocasionar descoloración y se deberán limpiar de inmediato. Espere a que las superficies calientes se enfríen, y luego limpie y enjuague.

Limpieza Manual

No use limpiadores de horno (a menos que estén certificados para hornos con limpieza automática), limpiadores abrasivos, limpiadores líquidos fuertes, estropajos de acero, almohadillas para fregar, ni polvos limpiadores en el interior del horno. Limpie el mismo con agua y jabón o una solución de vinagre y agua. Enjuague con agua limpia y seque con una tela seca. Al limpiar superficies, asegúrese de que estén a temperatura ambiente y fuera del contacto con la luz solar.

Modo de Limpieza con Vapor

La limpieza con vapor está pensada para limpiar pequeños derrames usando agua y a una temperatura de limpieza más baja que la función Self-Clean (Limpieza Automática).

Para usar la función Steam Clean (Limpieza con Vapor), limpie las grasas y suciedades del horno. Vierta una taza de agua en la parte inferior del horno. Cierre la puerta. Presione la tecla **Steam Clean (Limpieza con Vapor)** y luego presione **Start (Iniciar)**. En algunos modelos, la puerta del horno se podrá bloquear. No se deberá abrir la puerta durante los 30 minutos de la limpieza con vapor, ya que esto reducirá su rendimiento. Limpie cualquier exceso de agua y cualquier suciedad que haya quedado. **NOTA:** El agua en la parte inferior del horno podrá estar caliente justo después de finalizado el ciclo.

Modo de Limpieza Automática

Lea las Instrucciones de Seguridad del Horno con Limpieza Automática, en el comienzo de este manual antes de usar el modo Self Clean (Limpieza Automática). Este modo usa temperaturas muy altas para limpiar el interior del horno. Cuando use esta función, la puerta del horno se trabará. Antes de utilizar el ciclo de limpieza automática, limpie la grasa y restos de comida que haya en el horno. Retire todos los artículos del horno, excepto los estantes esmaltados (color oscuro). Los estantes brillantes o de plata y cualquier utensilio u otros artículos deberían ser retirados del horno antes de iniciar un ciclo de limpieza automática. Cierre la puerta. Presione la tecla **Steam Clean (Limpieza con Vapor)** y se exhibirá un tiempo de limpieza automática por omisión. El tiempo de limpieza puede ser modificado en cualquier momento entre las 3:00 y las 5:00 horas, usando las teclas numéricas para ingresar un tiempo diferente y presionando **Start (Iniciar)**. Si desea usar el tiempo por omisión, presione la tecla **Start (Iniciar)** inmediatamente luego de presionar la tecla **Steam Clean (Limpieza con Vapor)**. El horno se apagará de forma automática cuando el ciclo de limpieza automática sea completado. La puerta permanecerá bloqueada hasta que el horno se haya enfriado. Una vez que el horno se haya enfriado, limpie cualquier ceniza que haya quedado en el horno.

IMPORTANTE: Las emanaciones producidas por el ciclo de autolimpieza de cualquier horno afectan la salud de algunas aves de manera notoria. Procure llevar sus aves a otra habitación bien ventilada.

Horno (Cont.)

Estantes Planos

Los estantes planos que estén esmaltados, y no sean brillosos, se podrán dejar en la cavidad durante la limpieza automática o se podrán lavar con agua caliente y jabón.

Es posible que resulte más difícil deslizar los estantes, especialmente luego de la limpieza automática. Coloque aceite vegetal en una tela húmeda o toalla de papel y frote sobre los extremos izquierdo y derecho.

NOTA: El uso de otros aceites de cocina provocará una descoloración o un residuo de color similar al óxido en los estantes y laterales de las cavidades. Para limpiar este residuo, use agua y jabón o una solución de vinagre y agua. Enjuague con agua limpia y seque con una tela seca.

Luz del Horno

⚠ ADVERTENCIA **PELIGRO DE DESCARGA O QUEMADURAS:** Antes de reemplazar la lámpara de luz del horno, desconecte la conexión eléctrica del horno del fusible principal o del panel del disyuntor. Si esto no se cumple, se podrá producir una descarga eléctrica o un incendio.

⚠ PRECAUCIÓN **RIESGO DE INCENDIO:** La tapa de vidrio y la lámpara de luz se deberán retirar cuando estén frías. Tocar el vidrio caliente sin protección en las manos o con un trapo húmedo puede ocasionar quemaduras.

1. Desconecte la corriente desde el fusible principal o el panel del disyuntor.
2. Retire los estantes del horno.
3. Deslice un destornillador de punta plana o un cuchillo para untar manteca entre la carcasa metálica y la tapa de luz de vidrio. **NOTA:** algunos modelos cuentan con un sujetador metálico que visiblemente sostiene el vidrio. Es necesario insertar la herramienta entre la carcasa metálica y el sujetador que sostiene el vidrio.
4. Apoye la tapa de luz de vidrio con dos dedos para evitar que se caiga al fondo del horno. Tenga cuidado de no astillar la cubierta del horno.
5. De forma suave, gire la punta del destornillador o del cuchillo para untar manteca, a fin de aflojar la tapa de luz de vidrio. Tenga cuidado de no astillar la cubierta del horno.
6. Retire la tapa de luz de vidrio.
7. Retire la lámpara sosteniendo firmemente y deslizando la misma hacia afuera, hasta que las dos clavijas hayan dejado el soporte de cerámica.
8. No toque el vidrio de la nueva lámpara con los dedos. Esto hará que la lámpara falle al dar luz. Tome la lámpara de reemplazo con una toalla limpia o un pañuelo de papel con las clavijas hacia abajo. Aliñe las dos clavijas en el soporte de cerámica, presionando suavemente hasta que la lámpara quede asegurada en la ficha de cerámica.
9. Deslice las lentes protectoras del soporte y presione hasta que las pinzas queden enganchadas en la caja.
10. Vuelva a conectar la corriente.

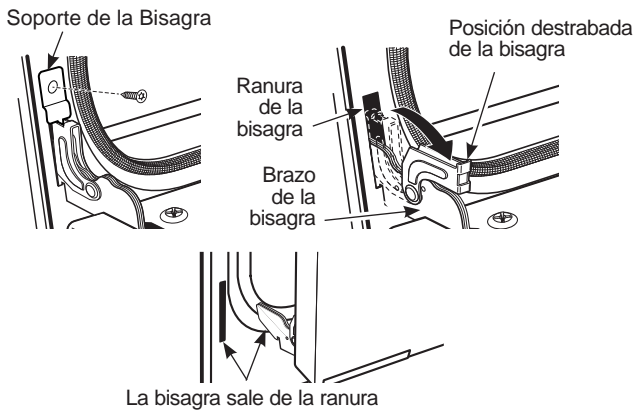
Puerta del Horno

Retiro de la Puerta del Horno

NOTA: La remoción de la puerta no es un requerimiento de la instalación del producto, pero es una comodidad adicional.

Para quitar la puerta:

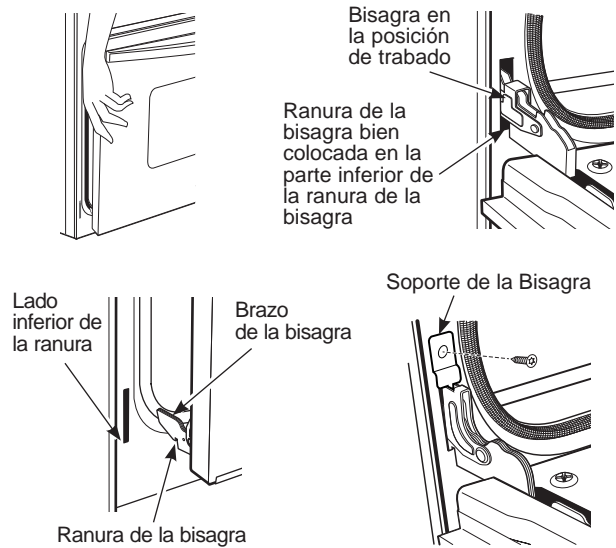
1. Abra la puerta del horno en su totalidad.
2. Retire el soporte de la bisagra (de estar presente) de la estructura frontal y déjelo a un lado. El soporte de la bisagra debe ser colocado nuevamente para un funcionamiento apropiado de la puerta cuando está última sea reinstalada.
3. Presione ambas trabas de la bisagra hacia abajo en dirección del marco de la puerta hasta desrascarlas. Para esto puede hacer falta un destornillador de lados planos. **¡NO LEVANTE LA PUERTA DE LA MANIJA!**
4. Coloque las manos sobre ambos lados y cierre la puerta del horno hasta la posición de remoción (aproximadamente 1"–2" [2,5 cm–5,1 cm] de la posición de cierre).
5. Levante la puerta hasta que los brazos de la bisagra hayan salido de las ranuras. **NOTA:** La puerta del horno es muy pesada. Asegúrese de tener un agarre firme antes de levantar la puerta del horno de sus bisagras. Tenga cuidado una vez que haya quitado la puerta. No deposite la puerta sobre la manija. Esto puede provocar abolladuras o rayones.



Reemplazo de la Puerta del Horno

NOTA: La puerta del horno es pesada. Puede necesitar ayuda para levantar la puerta lo suficiente como para deslizarla dentro de las ranuras de la bisagra. No levante la puerta de la manija.

1. Levante la puerta del horno tomándola de ambos lados.
2. Con la puerta en el mismo ángulo de la posición de remoción (aproximadamente 1"–2" [2,5 cm–5,1 cm] desde la posición de cerrado), introduzca la muesca del brazo de la bisagra dentro del extremo inferior de la ranura de la bisagra. La ranura del brazo de la bisagra debe estar bien colocada en la parte inferior de la ranura.
3. Abra la puerta por completo. Si la puerta no se abre por completo, la muesca no está bien colocada en el extremo inferior de la ranura.
4. Presione las trabas de la bisagra hacia arriba contra el armazón frontal de la cavidad del horno, hasta alcanzar la posición de trabado.
5. Reemplace el soporte de la bisagra (de estar presente). El soporte de la bisagra debe ser colocado nuevamente para un funcionamiento apropiado de la puerta.
6. Cierre la puerta del horno.






Consejos para la Solución de Problemas... Antes de solicitar el servicio técnico

¡Ahorre tiempo y dinero! Revise los cuadros de las siguientes páginas o visite GEAppliances.com/ge/service-and-support/cookingproducts.htm para acceder a artículos y videos de apoyo útiles antes de llamar al servicio técnico.

Problema	Causa Posible	Qué Hacer
Mi horno nuevo no cocina como el anterior. ¿Hay algún problema con las configuraciones de temperatura?	Su horno nuevo cuenta con un sistema de cocción diferente con relación al anterior y, por lo tanto, es posible que cocine de forma diferente.	En los primeros usos, use los tiempos y temperaturas de su receta con cuidado. Si aún piensa que su horno nuevo cocina con demasiado calor o demasiado frío, podrá ajustar el termostato usted mismo para aplicar su preferencia de cocción específica. NOTA: Este ajuste afecta las temperaturas de Bake (Hornear), Convection Bake 1 Rack (Hornear por Convección en 1 Estante) y Convection Bake Multi (Hornear por Convección Múltiple); no afectará las funciones Convection Roast (Dorar por Convección), Broil (Asar), o Clean (Limpiar).
La comida no se hornea de forma apropiada	Controles del horno configurados de forma incorrecta.	Consulte la sección Modos de Cocción.
	La posición del estante es incorrecta o el estante no está nivelado.	Consulte la sección Modos de Cocción y la Guía de Cocción.
	Uso de una cacerola incorrecta o de una cacerola de tamaño incorrecto.	Consulte la sección Utensilios.
	La temperatura del horno debe ser ajustada.	Consulte la sección Funciones Especiales.
	Sustitución de ingredientes	Sustituir ingredientes puede modificar el resultado de la receta.
La comida no asa de forma apropiada	Controles del horno configurados de forma incorrecta.	Asegúrese de seleccionar el modo correcto para asar.
	Se usó una posición incorrecta del estante.	Para acceder a sugerencias de ubicación de estantes, consulte la Guía de Cocción.
	Se cocinó comida en una olla caliente.	Asegúrese de que el utensilio esté frío
	Utensilio de cocina inadecuado para asar.	Use una olla específicamente diseñada para asar
	El papel de aluminio usado para la olla y la rejilla para asar no se ajustó ni cortó de forma apropiada, según lo recomendado.	Si usará papel de aluminio, deberá usarse conforme con las aberturas de la olla.
	En algunas áreas, es posible que el nivel de corriente (voltaje) sea bajo.	Precalente el elemento para asar durante 10 minutos.
La temperatura del horno es demasiado caliente o demasiado fría	La temperatura del horno debe ser ajustada.	Consulte la sección Funciones Especiales.
El horno no funciona o parece no funcionar	Es posible que un fusible de su hogar se haya quemado o que el disyuntor se haya desconectado.	Reemplace el fusible o reinicie el disyuntor.
	Controles del horno configurados de forma incorrecta.	Consulte la sección Uso del Horno.
	El horno se encuentra en Sabbath Mode (Modo Sabático)	Verifique que el horno no esté en Sabbath Mode (Modo Sabático). Consulte la sección Funciones Especiales.
Sonido de “chisporroteo” o “traqueo”	Éste es el sonido de metal calentándose o enfriándose durante las funciones de cocción y limpieza..	Esto es normal.
¿Por qué la estufa hace un sonido de “clic” cuando uso el horno?	Su estufa fue diseñada para mantener un control más ajustado sobre la temperatura del horno. Es posible que escuche que los elementos de calentamiento del horno hagan sonidos de “clic” con mayor frecuencia que con hornos más antiguos para lograr mejores resultados durante los ciclos de horneado, asado, convección y limpieza automática.	Esto es normal.
El reloj y el temporizador no funcionan	Es posible que un fusible de su hogar se haya quemado o que el disyuntor se haya desconectado.	Reemplace el fusible o reinicie el disyuntor.
A veces el horno tarda más en precalentarse a la misma temperatura	Utensilio o comida en el horno	El utensilio o la comida en el horno hará que éste tarde más en precalentarse. Retire estos artículos para reducir el tiempo de precalentamiento.
	Cantidad de estantes en el horno	Agregar más estantes al horno hará que éste tarde más en precalentarse. Retire algunos estantes.

Consejos para la Solución de Problemas... Antes de solicitar el servicio técnico

Problema	Causa Posible	Qué Hacer
La luz del horno no funciona	La lámpara está floja o presenta defectos.	Ajuste o reemplace la lámpara.
	La luz de funcionamiento del interruptor está rota.	Llame al servicio técnico.
El modo de limpieza automática del horno no funciona	La temperatura del horno es demasiado caliente como para configurar la limpieza automática.	Espere a que el horno se enfríe y reinicie los controles.
	Los controles del horno están configurados de forma incorrecta.	Consulte la sección de Limpieza del Horno.
Exceso de humo durante un ciclo de limpieza	Suciedad o grasa excesiva.	Presione la tecla Cancel/Off (Cancelar/ Apagar) Abra las ventanas para liberar el humo en la habitación. Espere hasta que  se apague. Limpie el exceso de suciedad y reinicie el ciclo de limpieza.
Humo excesivo al asar	La comida está demasiado cerca del quemador.	Baje la posición del estante con comida.
La puerta del horno no se abrirá luego de un ciclo de limpieza	El horno está demasiado caliente.	Espere a que el horno se enfríe por debajo de la temperatura de bloqueo.
El horno no limpia luego de un ciclo de limpieza	Los controles del horno están configurados de forma incorrecta.	Consulte la sección de Limpieza del Horno.
	El horno estaba demasiado sucio.	Limpie derrames excesivos antes de iniciar el ciclo de limpieza. Es posible que, en hornos con mucha suciedad, sea necesario usar la limpieza automática nuevamente o usarla durante un período de tiempo más prolongado.
 parpadea en la pantalla	El ciclo de limpieza automática fue seleccionado pero la puerta no está cerrada.	Cierre la puerta del horno.
 está encendido cuando desea cocinar	La puerta del horno está bloqueada debido a que la temperatura interior del horno no descendió por debajo de la temperatura de bloqueo.	Presione la tecla Cancel/Off (Cancelar/ Apagar) Deje que el horno se enfríe.
"F – y un número o letra" titila en la pantalla	Tiene un código de error de función.	Presione la tecla Cancel/Off (Cancelar/ Apagar) Permita que el horno se enfríe durante una hora. Vuelva a poner el horno en funcionamiento.
	Si el código de función se repite.	Desconecte totalmente la corriente de la cocina durante por lo menos 30 minutos y vuelva a conectar la misma. Si el código de error de función se repite, llame al servicio técnico.
La pantalla queda en blanco	Es posible que un fusible de su hogar se haya quemado o que el disyuntor se haya desconectado.	Reemplace el fusible o reinicie el disyuntor.
	El reloj está apagado.	Consulte la sección Funciones Especiales.
	El horno se encuentra en Sabbath Mode (Modo Sabático).	Verifique que el horno no esté en Sabbath Mode (Modo Sabático). Consulte la sección Funciones Especiales.
Corte de corriente, el reloj titila	Corte o exceso de corriente	Reinicie el reloj. Si el horno estuvo en uso, deberá reiniciar el mismo presionando la tecla Cancel/Off (Cancelar/ Apagar) configurando el reloj y reiniciando cualquier función de cocción.
Olor a "quemado" o "aceite" desde la ventilación	Esto es normal en un horno nuevo y desaparecerá con el tiempo.	Para acelerar el proceso, configure un ciclo de limpieza automática por un mínimo de 3 horas. Consulte la sección de Limpieza del Horno.
Olor fuerte	Un olor en la aislación alrededor del interior del horno es normal desde las primeras veces en que el horno es usado.	Esto es temporario y desaparecerá luego de varios usos o de un ciclo de limpieza automática.
Ruido del ventilador	Es posible que un ventilador de enfriamiento se active automáticamente.	Esto es normal. El ventilador de enfriamiento se encenderá para enfriar las partes internas. Es posible que funcione hasta durante una hora y media, una vez que el horno se haya apagado.
La puerta de vidrio del horno parece estar "teñida" o tener un color "arcoíris". ¿Es esto un defecto?	No. El vidrio del horno interno está cubierto con una barrera de calor que refleja este último nuevamente hacia el horno, a fin de evitar la pérdida de calor y de mantener fría la puerta externa mientras se hornea.	Esto es normal. Bajo ciertas luces y ángulos, es posible que visualice esta tinta o arcoíris.
El horno no funciona en forma remota	Problemas en el enrutador, no hay señal inalámbrica, etc.	Para solicitar asistencia con la conectividad de red inalámbrica, comuníquese al 800.220.6899.
	El horno no está conectado.	

Garantía Limitada del Horno Eléctrico de GE Appliances

GEAppliances.com

Todo el servicio de garantía de su electrodoméstico es provisto exclusivamente por GE Appliances, Centros de Servicio de Fábrica de la compañía Haier, o por un técnico del servicio autorizado por GE Appliances para brindar el servicio de garantía de su electrodoméstico. Para programar una visita del servicio técnico a través de Internet, visítenos en GEAppliances.com/service_and_support/, o llame al 800.GE.CARES (800.432.2737). Cuando llame para solicitar el servicio, tenga los números de serie y modelo disponibles. El servicio técnico que no haya sido programado o de otro modo organizado por GE Appliances no estará cubierto bajo esta garantía, incluyendo cualquier parte y/o servicios provistos.

Para realizar el servicio técnico de su electrodoméstico, se podrá requerir el uso de datos del puerto de abordaje para su diagnóstico. Esto da al técnico del servicio de fábrica de GE Appliances la habilidad de diagnosticar de forma rápida cualquier problema con su electrodoméstico, y de ayudar a GE Appliances a mejorar sus productos al brindarle a GE Appliances la información sobre su electrodoméstico. Si no desea que los datos de su electrodoméstico sean enviados a GE Appliances, solicitamos que le indique a su técnico no entregar los datos a GE Appliances en el momento del servicio.

Por el Período de	GE Appliances reemplazará
Un Año Desde la fecha de la compra original	Cualquier parte del horno que falle debido a un defecto en los materiales o la fabricación. Durante esta garantía limitada de un año , GE Appliances también proveerá, sin costo , todo el trabajo y el servicio en el hogar para reemplazar la parte que presente defectos.

Qué no cubrirá GE Appliances:

- Viajes del técnico del servicio a su hogar para enseñarle sobre cómo usar el producto.
- Instalación, entrega o mantenimiento inadecuados.
- Fallas del producto en caso de abuso, mal uso, modificación o uso para propósitos diferentes al original o uso comercial.
- Reemplazo de fusibles de la casa o reinicio de disyuntores.
- Daños ocasionados sobre el producto por accidente, incendio, inundaciones o catástrofes naturales.
- Daños sobre el acabado, tales como óxido sobre la superficie, deslustres o manchas pequeñas no informadas dentro de las 48 horas luego de la entrega.
- Daños incidentales o consecuentes causados por posibles defectos sobre este producto.
- Daño causado después de la entrega.
- Producto no accesible para brindar el servicio requerido.
- Solicite el servicio técnico para reparar o reemplazar las lámparas, excepto las lámparas LED.

EXCLUSIÓN DE GARANTÍAS IMPLÍCITAS

Su única y exclusiva alternativa es la reparación del producto, como se indica en la Garantía Limitada. Las garantías implícitas, incluyendo garantías implícitas de comerciabilidad o conveniencia sobre un propósito particular, se limitan a un año o al período más corto permitido por la ley.

Esta garantía limitada se extiende al comprador original y a cualquier propietario posterior de los productos comprados para uso doméstico dentro de EE. UU. Si el producto está en un área donde no se encuentra disponible un Proveedor Autorizado del Servicio Técnico de GE Appliances, usted será responsable por el costo de un viaje o se podrá requerir que traiga el producto a una ubicación del Servicio Técnico de GE Appliances autorizado para recibir el servicio. En Alaska, la garantía limitada excluye el costo de envío o visitas de servicio a su domicilio. Algunos estados no permiten la exclusión o limitación de daños fortuitos o consecuentes. Esta garantía limitada le otorga derechos legales específicos, y usted también podría tener otros derechos que varían de estado a estado. Para conocer cuáles son sus derechos legales, consulte a la oficina de asuntos del consumidor local o estatal o al Fiscal de su estado.

Garante: GE Appliances, a Haier company

Louisville, KY 40225

Garantías Extendidas: Adquiera una garantía extendida de GE Appliances y conozca los descuentos especiales que están disponibles mientras su garantía aún está vigente. Puede acceder a la misma a través de Internet en cualquier momento en

GEAppliances.com/extended-warranty

o llamando al 800.626.2224 durante el horario comercial. Los Servicios para los GE Appliances aún estarán disponibles cuando su garantía caduque.

Abroche su recibo aquí. Para acceder al servicio técnico de acuerdo con la garantía deberá contar con la prueba de la fecha original de compra.

Accesorios

¿Busca Algo Más?

¡GE Appliances ofrece una variedad de accesorios para mejorar sus experiencias de cocción y mantenimiento!

Para acceder a números telefónicos e información de sitios Web, consulte la página de Soporte para el Consumidor.

Estos y otros productos están disponibles:

Accesorios

Olla para Asar Pequeña (8 ¾" x 1 ¼" x 13 ½")

Olla para Asar Grande* (12 ¾" x 1 ¼" x 16 ½")

Olla para Asar Extra Grande** (17 ¾" x 1 ¼" x 19 ½")

Piezas

Estantes del horno

Estante Deslizable Never Scrub de 27"

Estante Deslizable Never Scrub de 30"

Elementos del horno

Lámparas de luz

Suministros de Limpieza

Limpiadores de Acero Inoxidable CitriShine™

Limpiador de Electrodomésticos de Acero Inoxidable

Lubricante de Grafito***

*La olla para asar grande no entra en cocinas de 20"/24".

**La olla XL no entra en hornos de pared de 24", empotrables de 27" o cocinas de 20"/24".

***Para uso con estantes deslizables Never Scrub.

Soporte para el Consumidor

Sitio Web de GE Appliances

¿Desea realizar una consulta o necesita ayuda con su electrodoméstico? ¡Intente a través del Sitio Web de GE Appliances las 24 horas del día, cualquier día del año! Usted también puede comprar más electrodomésticos maravillosos de GE Appliances y aprovechar todos nuestros servicios de soporte a través de Internet, diseñados para su conveniencia.

En EE.UU.: GEAppliances.com

Registre su Electrodoméstico

¡Registre su electrodoméstico nuevo a través de Internet, según su conveniencia! Un registro puntual de su producto permitirá una mejor comunicación y un servicio más puntual de acuerdo con los términos de su garantía, en caso de surgir la necesidad. También puede enviar una carta en la tarjeta de inscripción preimpresa que se incluye con el material embalado.

En EE.UU.: GEAppliances.com/register

Servicio Programado

El servicio de reparación de expertos de GE Appliances está a sólo un paso de su puerta. Conéctese a través de Internet y programe su servicio a su conveniencia cualquier día del año. En EE.UU.: GEAppliances.com/service o comuníquese al 800.432.2737 durante el horario de atención comercial.

Garantías Extendidas

Adquiera una garantía extendida de GE Appliances y conozca los descuentos especiales que están disponibles mientras su garantía aún está vigente. La puede adquirir en cualquier momento a través de Internet. Los servicios de GE Appliances aún estarán allí cuando su garantía caduque.

En EE.UU.: GEAppliances.com/extended-warranty

o comuníquese al 800.626.2224 durante el horario de atención comercial.

Conectividad Remota

Para solicitar asistencia para la conectividad de red inalámbrica (para modelos con acceso remoto), visite nuestro sitio web en GEAppliances.com/connect o comuníquese al 800.220.6899 en EE.UU.

Piezas y Accesorios

Aquellos individuos calificados para realizar el servicio técnico de sus propios electrodomésticos podrán solicitar el envío de piezas o accesorios directamente a sus hogares (se aceptan las tarjetas VISA, MasterCard y Discover). Ordene hoy a través de Internet durante las 24 horas, todos los días. En EE.UU.: GEApplianceparts.com o de forma telefónica al 877.959.8688 durante el horario de atención comercial.

Las instrucciones que figuran en este manual cubren los procedimientos que serán realizados por cualquier usuario. Otros servicios técnicos generalmente deben ser derivados a personal calificado del servicio. Se deberá tener cuidado, ya que una reparación indebida podrá hacer que el funcionamiento no sea seguro.

Contáctenos

Si no se encuentra satisfecho con el servicio que recibió de GE Appliances, comuníquese con nosotros a través de nuestro sitio Web con todos los detalles, incluyendo su número telefónico, o escriba a:

En EE.UU.: General Manager, Customer Relations | GE Appliances, Appliance Park | Louisville, KY 40225

GEAppliances.com/contact