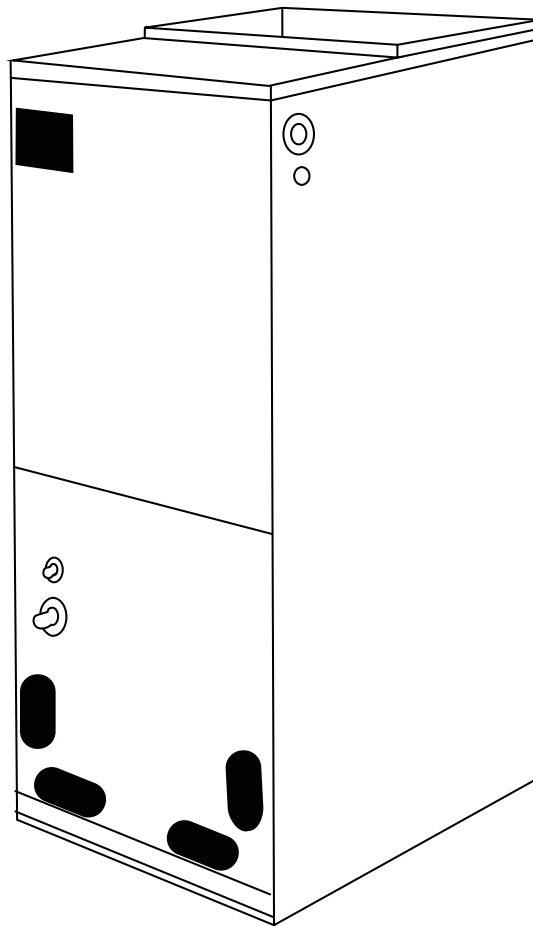




GE APPLIANCES

Installation Instructions

Air Handler



The manufacturer recommends installing AHRI listed matched indoor and outdoor system. Installing approved matched indoor and outdoor system will provide optimum efficiency and best overall system reliability.

**READ CAREFULLY.
KEEP THESE INSTRUCTIONS.**

Table of Contents

SAFETY INFORMATION.....	4
OVERVIEW.....	6
ACCESSORIES.....	6
REQUIRED TOOLS FOR INSTALLATION.....	7
UNIT DIMENSIONS.....	8
MAIN PARTS.....	9
INSTALLATION INSTRUCTIONS.....	10
LINE SET INSTALLATION.....	11
INSTALL CONDENSATE DRAIN.....	12
ELECTRICAL REQUIREMENTS.....	13
DUCT SYSTEM.....	13
HEATER KIT.....	14
ELECTRICAL CONNECTIONS.....	14
THERMAL EXPANSION VALVE.....	15
THERMOSTAT CONNECTION.....	16
AIR FLOW ADJUSTMENT INSTRUCTIONS FOR CONNECT SERIES.....	18
FINAL CHECK.....	21
TROUBLESHOOTING.....	21
LIMITED WARRANTY.....	23

Record Keeping

Thank you for purchase this product from GE Appliances, a Haier company. This installation manual will help you to get the best performance.

For future reference, record the model and serial number located on the label on the side of your air conditioner, and the date of purchase.

Staple your proof of purchase to this manual to aid in obtaining warranty service if needed.

To register your new air handler, go to **GEAppliances.com/register** and input the model/serial number information on this page. To receive a 10-year compressor and parts warranty, registration is required within 60 days of installation.

Model number

Serial number

Date of purchase



IMPORTANT SAFETY INFORMATION

READ ALL INSTRUCTIONS BEFORE USING THE SYSTEM

⚠ WARNING

For your safety, the information in this manual must be followed to minimize the risk of fire, electric shock, or personal injury.

- Use this equipment only for its intended purpose as described in this manual.
- This air handler must be properly installed in accordance with these instructions before it is used.
- All wiring should be rated for the amperage value listed on the rating plate. Use only copper wiring.
- All electrical work must be completed by a qualified electrician and completed in accordance with local and national building codes.
- Any servicing must be performed by a qualified individual.

Federal regulations require that a technician must have a Class II or Universal certification to perform any work on the sealed refrigeration system.

- All air conditioners contain refrigerants, which under federal law must be removed prior to product disposal. If you are disposing of an old product with refrigerants, check with the company handling disposal.
- R-410A systems require that contractors and technicians use tools, equipment and safety standards approved for use with this refrigerant. DO NOT use equipment certified for R22 refrigerant only.

⚠ WARNING RISK OF ELECTRIC SHOCK. Could cause injury or death.

- An adequate ground is essential before connecting the power supply.
- Disconnect all connected electric power supplies before installation or service.
- Repair or replace immediately all electrical wiring that has become frayed or otherwise damaged. Do not use wiring that shows cracks or abrasion damage along its length or at either end.

⚠ WARNING RISK OF FIRE. Could cause injury or death.

- Do not store or use combustible materials, gasoline or other flammable vapors or liquids in the vicinity of this or any other appliance.

⚠ WARNING

This unit is not intended for use by persons (including children) with reduced physical, sensory or mental capabilities, or lack of experience and knowledge.

To avoid danger of suffocation, keep the plastic bag or thin film used as the packaging material away from young children.

Be sure not to allow foreign materials to enter the refrigerant piping. Seal the ends of refrigerant piping before storage.

For installation purposes, be sure to use the parts supplied by the manufacturer or other prescribed parts. The use of non-prescribed parts can cause serious accidents such as the unit falling, water leakage, electric shock, or fire.

The rated power supply of this product is 208/230 VAC/60hz/1PH. Verify the voltage is within the 187~253 range before turning the equipment on.

Supply power to the air handler should be from a **dedicated** circuit that meets branch circuit ampacity requirements.

Use a special branch circuit breaker and disconnect switch matched to the power circuit capacity of the air handler. Install in accordance with national and local code.

When the electric heating is on, the fan of the air handler must be on.

IMPORTANT SAFETY INFORMATION

READ ALL INSTRUCTIONS BEFORE USING THE SYSTEM

⚠ CAUTION

It is highly recommended that you do not open or close the stop valves when the outdoor temperature is below -5°F (-21°C), as this may cause refrigerant leakage.

Do not touch the fins of the coil. Touching the coil fins could result in damage to the fins or personal injury.

Ensure the power circuit capacity is adequate for all loads connected to the electrical service panel. Increase the conductor and panel capacity if the total electrical loads exceed the power source capacity.

Contact the power utility if the power provided is below equipment rating plate requirements.

Be sure to install a circuit breaker of the specified capacity.

Refer to local requirements regarding type and kind of circuit breaker, power wiring, and control cable.

Regulation of cables and circuit breaker differs from each locality. Be aware of these regulations prior to installation.

Do not use existing refrigerant lines.

Use refrigerant tubing that is clean and free of any contamination which may cause damage to the system, including sulfur, copper oxide, dust, metal chips, powder, oil, or water.

Avoid coupling lines whenever possible. Use a continuous length of copper tubing, as oxides formed during improper brazing techniques can damage the equipment.

Do not use copper pipes that have a collapsed, deformed, or discolored portion (especially on the interior surface). Otherwise, the expansion valve or capillary tube may become blocked with contaminants.

Improper line sizing will degrade performance. Peak pressure of R410A is much higher than R22. Use ACR copper tubing with adequate wall thickness.

Use a tubing bender to change piping direction. Make sure the radius of the bend is no less than 4".

If the pipe is bent repeatedly at the same place, it will break.

SAVE THESE INSTRUCTIONS

FOR MORE HELP, VISIT GEAPPLIANCES.COM OR CALL THE CONSUMER HELP LINE AT 877-337-3639.

BEFORE YOU BEGIN

Read these instructions completely and carefully.

• **IMPORTANT** — Save these instructions for local inspector's use.

• **IMPORTANT** — Observe all governing codes and ordinances.

- **Note to Installer** – Be sure to leave these instructions with the owner to use for future reference.
- **Note to Owner** – Keep these instructions for future reference.
- **Skill level** – A licensed certified technician (to handle refrigerant R-410A, recovery, etc.) and a qualified electrician are required for equipment and service of this air handler system.
- Use team lift for installation of this product.
- Proper installation is the responsibility of the installer.
- Product failure due to improper installation is not covered under the limited warranty.
- For personal safety, this system must be properly grounded.
- Protective devices (fuses or circuit breakers) acceptable for installation are specified on the nameplate of each unit.
- Piping or wiring within walls must be protected per local code.

⚠ CAUTION

- Aluminum electrical wiring may present special problems - consult a qualified electrician.
- When the unit is in the STOP position, there is still voltage to the electrical controls.

OUTDOOR REQUIREMENTS

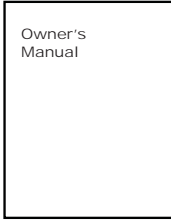
There is a matching air handler and must be used with the outdoor units as rated by AHRI.

The outdoor sections are manufactured with an interchangeable refrigerant metering device for optimum refrigerant control and system performance. The AHRI rating may require the metering device be changed, in some cases, to meet the rated performance.

Overview

- It is the responsibility of the installer to ensure all aspects of the installation for this product adhere to national, state, and local codes.
 - Every possible system difference or work site abnormality cannot be addressed in this manual. If questions arise, it is the obligation of the installer to contact the distributor or supplier of this product for assistance.
 - To ensure proper performance, the duct system pressure drop should never exceed the static pressure capacity of the blower.
 - Only use and apply accessory heater components that are approved in this manual.
 - All work should be performed by persons trained, experienced, and licensed in the mechanical and electrical fields.
 - The manufacturer will not be responsible for equipment that is under-performing due to a failure to follow the instructions in this manual or best industry practices.
 - The manufacturer has the right to revise this manual without notice.
1. No person should operate, maintain, or service this equipment unless suitably trained by an industry professional.
 2. Disconnect unit from the power supply if it not to be used for an extended period.
 3. Be certain that you have selected the proper model for the operating load. Improper selection may impact operating performance.
 4. Please do not disassemble the unit without proper training. This equipment has undergone strict inspection and operational testing at the factory.
 5. For technical assistance, please contact GE Appliances technical support
 6. If the product is malfunctioning and/or is inoperable, please contact GE Appliances technical support. Provide the following information:
 - a. Product Nameplate data (model number, cooling / heating capacity, product serial number, factory date)
 - b. Nature of Malfunction (specify the circumstances before and after the error occurred)
 7. All illustrations and information in the instruction manual are for reference only. We retain the right to make necessary revisions to the product from time to time.
 8. GE Appliances assumes no responsibility for personal injury, property loss or equipment damage caused by improper installation and commissioning, unnecessary maintenance, or failure to follow relevant federal and state regulations, industry standards, and the requirements of this instruction manual.
 9. GE Appliances will bear no responsibilities for personal injury or property damage caused by the following:
 - a. Improper use of the appliance
 - b. Altering, maintaining, or operating the product with non-approved equipment.
 - c. Altering, maintaining, or operating the product outside of the guidelines of this manual.
 - d. Defects caused by corrosive gas.
 - e. Defects caused by shipping damage.
 - f. Failure to abide by this instruction manual or government regulations.
 - g. Products made by other manufacturers
 - h. Natural disasters, improper installation environment, or force majeure.

Accessories

Part	Looks Like	Quantity
Owner's Manual		1

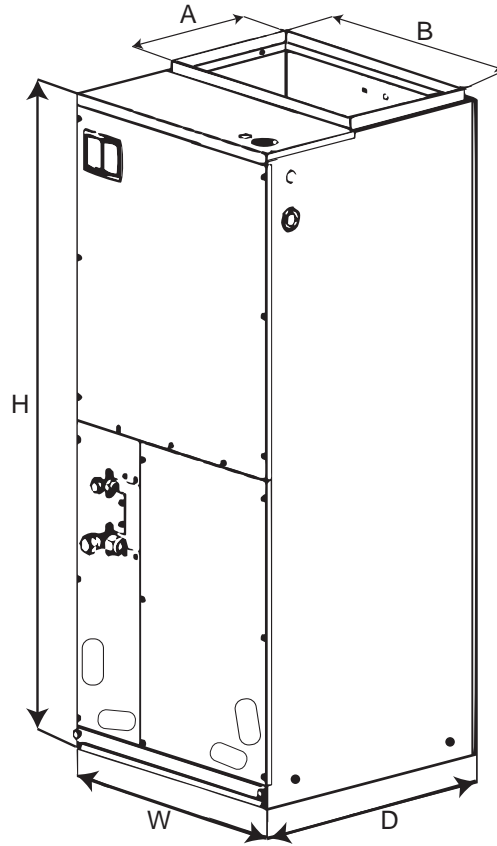
Installation Instructions

Required Tools for Installation

- 18-8 thermostat wire
 - 5/8" (16mm), 7/8" (22mm), 1" (25mm) or Adjustable Wrench
 - R-410A Refrigerant*
 - Adhesive tape*
 - Conduit cable clamp 1/2"*
 - Copper line set (for size, see table on page 15)
 - #2 phillips screwdriver
 - Drill
 - R-410A flaring tool
 - Hex wrench
 - Hole saw 2 1/4"
 - Insulation*
 - Refrigerant scale
 - Level
 - Manifold gauge set
 - Measuring tape
 - Micron gauge
 - Mini-split adapter (5/16"F to 1/4"M)
 - Nitrogen*
 - Pipe cutter
 - PVC pipe
 - Razor knife
 - Reamer
 - Saddle clamp (L.S.) w/ screws
 - Sealant, non-expanding (for lineset hole)
 - Soap/water solution* or gas leakage detector
 - Stud finder
 - Torque wrench
 - Vacuum pump
 - Wire strippers
 - All usual and customary HVAC hand and power tools, meters, and testing devices
- * consumable materials

Installation Instructions

Unit Dimensions



Model	Dimension inch(mm)				
	Width	Depth	Height	A	B
UUY24ZGDA*	21-1/4(540)	21-1/4(540)	48-1/4(1224)	11-5/8(295)	20(508)
UUY36ZGDA*					
UUY48ZGDA*	24-3/4(630)	21-1/4(540)	57(1448)	11-5/8(295)	20(508)
UUY60ZGDA*					

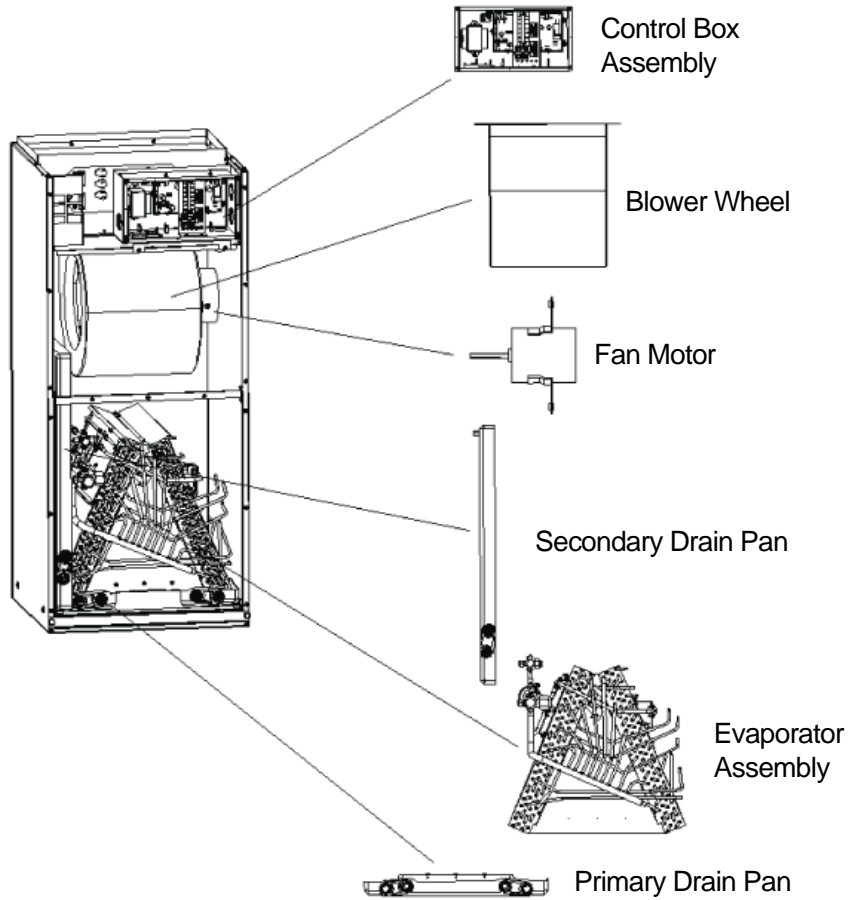
Installation Clearances

24" clearance is required for filter, coil, or blower removal and service access.

The air handler can be installed in a closet with a false bottom to form a return air plenum or be installed with a return air plenum under the air handler.

Installation Instructions

Main Parts



Model	Cooling capacity (ton)	Optional electric heater (kW)
UUY24ZGDA*	2.0	5/8/10
UUY36ZGDA*	3.0	5/8/10/15
UUY48ZGDA*	4.0	10/15/20
UUY60ZGDA*	5.0	10/15/20

Model	Motor @ 230V ~, 60Hz	
	HP	FLA
UUY24ZGDA*	1/2	2.1
UUY36ZGDA*		
UUY48ZGDA*	1	3.2
UUY60ZGDA*		

Model	Filter Size(inch)
UUY24ZGDA*	20" x 20"
UUY36ZGDA*	
UUY48ZGDA*	21" x 20"
UUY60ZGDA*	

Installation Instructions

⚠ CAUTION

Prior to installation, turn off all electrical power supplies intended for use with this equipment.

1. Checking Product Received

After receiving the product, please check for any damage caused by transportation. Shipping damage is the responsibility of the carrier. Verify the model number, specifications, and accessories are correct prior to installation. The distributor or manufacturer will not accept claims from dealers for transportation damage or installation of incorrectly shipped units. The manufacturer assumes no responsibility for the installation of incorrectly delivered units.

2. Before Installation

Carefully read all instructions for the installation prior to installing. Make sure each step or procedure is understood and any special considerations are taken into account before starting installation. Assemble all tools, hardware and supplies needed to complete the installation. Some items may need to be purchased separately. Make sure everything needed to install the product is on hand before starting.

3. Codes and Regulations

This product is designed and manufactured to comply with national codes. It is installer's responsibility to install the product in accordance with such codes and/or any prevailing local codes/regulations. The manufacturer assumes no responsibility for equipment installed in violation of any codes or regulations.

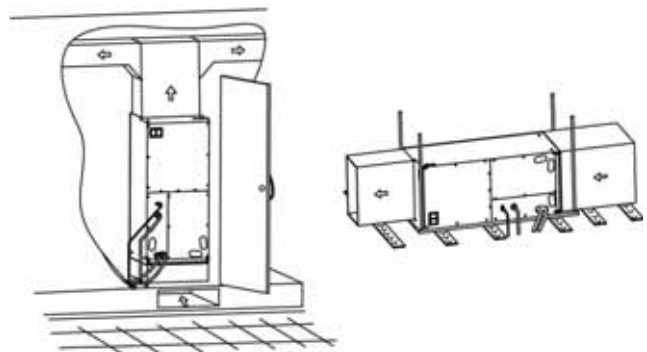
4. Replacement Parts

When reporting shortages or damages, or ordering repair parts, give the complete product model and serial numbers as stamped on the nameplate. Replacement parts are available through your contractor or local distributor.

⚠ WARNING

- This air handler is designed for indoor installation only. Do not install it outdoors.
- When installing the air handler, take consideration to minimize the length of refrigerant tubing as much as possible.
- When installing in an area directly over a finished ceiling (such as an attic), installation of an emergency drain pan is required directly under the unit. See local and state code for requirements.
- When installing this unit in an area that may become wet, elevate the unit with a sturdy, non-porous material. Install a protective barrier per code for installations that may be subject to damage, such as a garage.
- This air handler is designed for a complete supply and return duct system. DO NOT operate this product without attaching a completed duct system. DO NOT install the air handler in a location above or below the outdoor unit that violates the instructions provided with the outdoor unit. Service clearance is to take precedence. Allow a minimum of 24" service clearance in front of the unit.
- If this air handler is to be installed in an enclosed space containing fossil fuel burning appliances, vehicle exhaust emissions, or other potential carbon monoxide sources, all code requirements for these conditions must be strictly followed. Carbon monoxide emissions can be circulated throughout the occupied space by the air handler's duct system, causing death or serious illness.

Typical installation configurations as shown



Upflow

Horizontal Left

Installation Instructions

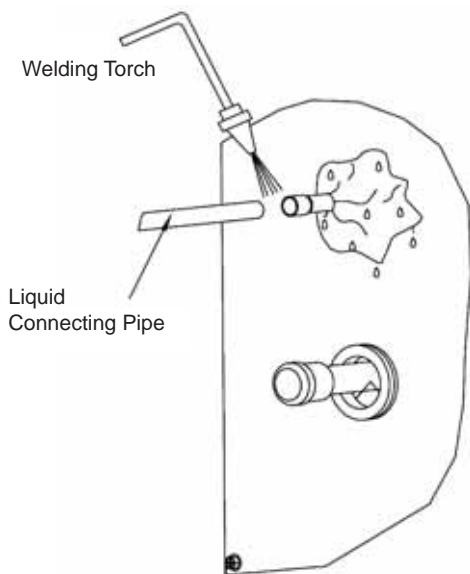
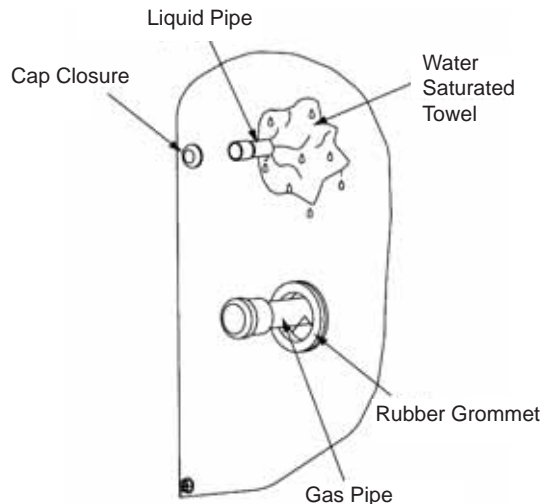
Conventional Line Set Installation

Pipe Size

Model	External Diameter (inch)	
	Gas pipe	Liquid Pipe
UUY24ZGDA*	3/4	3/8
UUY36ZGDA*		
UUY48ZGDA*		
UUY60ZGDA*		

Pipe Preparation

- All cut ends are to be round, burr free, and cleaned. Failure to follow this practice increases the chances for refrigerant leakage.
- First, wrap the rubber grommet with water saturated towel, and then weld off the cap closures from the gas and liquid pipes. Then weld the gas and liquid pipes with the connecting pipes.



Refrigerant Line Installation

Refrigerant lines must be connected by a licensed, EPA certified refrigerant technician in accordance with established procedures.

IMPORTANT:

- Connecting refrigerant lines must be clean, dehydrated, refrigerant-grade copper lines. Air handler coils should be installed only with specified line sizes for approved system combinations.
 - Use care with the refrigerant lines during the installation process. Sharp bends or possible kinking in the lines will cause a restriction.
 - Do not remove the caps from the lines or system connection points until connections are ready to be completed.
1. Route the suction and liquid lines from the fittings on the indoor coil to the fittings on the outdoor unit. Run the lines in a direct path, avoiding unnecessary turns and bends.
 2. Ensure that the suction line is insulated over the entire exposed length and that both suction and liquid lines are not in direct contact with floors, walls, ductwork, floor joists, or other piping.
 3. Connect the suction and liquid line to the evaporator coil.
 4. To avoid damage; remove the TXV sensing bulb while brazing. Relocate rubber grommets away from the heat to avoid melting them.
 5. Braze with an alloy of silver or copper and phosphorus with a melting point above 1,100°F. NOTE: Do not use soft solder.
 6. Reinstall the TXV sensing bulb and the rubber grommets after brazing is finished.
 7. Make sure the outdoor air conditioning unit has been put in place according to the Installation Instructions and is connected to the refrigerant lines.

While brazing, purge the system with Nitrogen to prevent contamination. Manufacturer recommends reattaching and insulating the TXV sensing bulb at a 10 or 2 o'clock position on the suction line, outside the coil housing, no more than one foot from the connection. Evacuate the system to 500 microns to ensure proper air and moisture removal (Note: Deep evacuation or triple evacuation method recommended). Open the suction service valve slowly and allow the refrigerant to bleed into the system before opening the liquid service valve.

Installation Instructions

Install Condensate Drain

The air handler is provided with 3/4" NPT condensate drain connections.

A field fabricated secondary drain pan with a drain pipe to the outside of the building is required in all installations over a finished living space or in any area that may be damaged by overflow from the main drain pan. In some localities, local codes require secondary drain pan for any horizontal installation. The secondary drain pan must have a larger footprint than the air handler.

1. Remove the appropriate panel knockouts for drains. See "Drain Pan Connections" section. You may need to remove the indoor coil assembly from the cabinet.
2. Determine the drain connection to be used and note differences between the primary (green) and secondary (red) openings. Drain plugs are provided for all openings; remove and discard the appropriate plugs with 1/2" drive ratchet and verify that remaining plugs are tight (2.5 ft-lbs). Attach drain line to pan with 3/4" male pipe thread PVC fittings. Hand tight is adequate—do not over tighten and do not reduce the line size.
3. Secondary drain connections should be connected to a separate drainage system. Run this drain to a place in compliance with local installation codes where is will be secondary drain indicates a plugged primary drain.
4. Install a 2" trap in the primary drain line as close to the unit as practical. Make sure the top of the trap is below the connection to the drain pan to allow complete drainage of the pan.

NOTE: Horizontal runs must also have an anti-siphon air vent (standpipe) installed ahead of the horizontal run. An extremely long horizontal run may require an oversized drain line to eliminate air trapping.

NOTE: Do not operate air handler without a drain trap. The condensate drain is on the negative pressure side of the blower; therefore air can be drawn into the condensate line and will prevent positive drainage without a proper trap.

5. Route the drain line to the outside or to an appropriate drain. Drain lines must be installed so they do not block service access to the front of the air handler. A 24" clearance is required for filter, coil, or blower removal and service access.

NOTE: Check local codes before connecting the drain line to an existing drainage system.

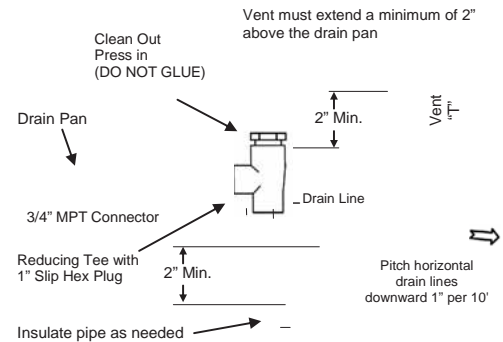
6. Insulate the drain lines where sweating could cause water damage.

Upon completion of installation, it is the responsibility of the installer to ensure the drain pan(s) is capturing all condensate, and all condensate is draining properly and not getting into the duct/system.

Install Condensate Drain (cont.)

1. Pour several quarts of water into the drain pan, enough to fill drain trap and line.
2. Check to make sure the drain pan is draining completely, no leaks are found in drain line fittings, and water is draining from the end of the primary drain pan.
3. Correct any leaks found.

Drain Line and Vent Tee



Installation Instructions

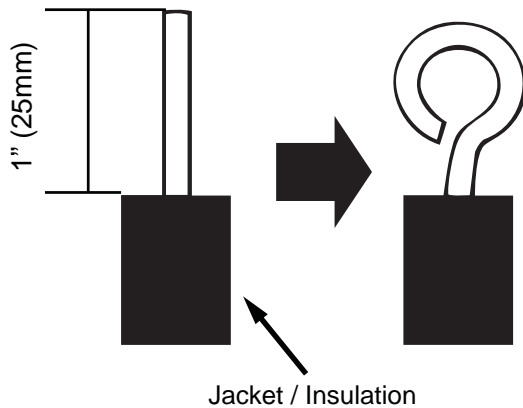
Electrical Requirements

Model	Power Supply	Recommended breaker size (A)
UUY24ZGDA* UUY36ZGDA* UUY48ZGDA* UUY60ZGDA*	208/230V-1Ph-60Hz	15

Control wiring” to “Electric wiring

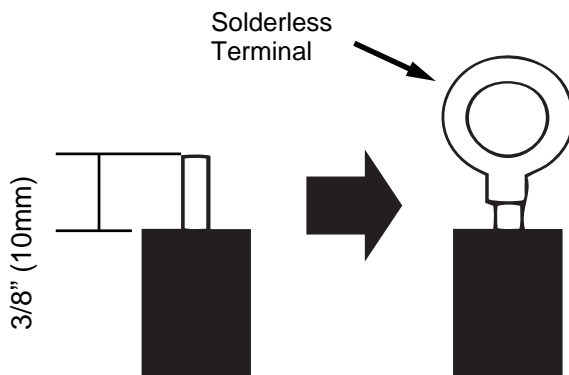
Using 18 Gauge Solid Core Copper Wire

1. Cut back the insulation 1” from the end of the wire.
2. Remove the screw from the terminal block, and wrap the wire around the screw.
3. Return the screw and wire to the terminal block and tighten securely.



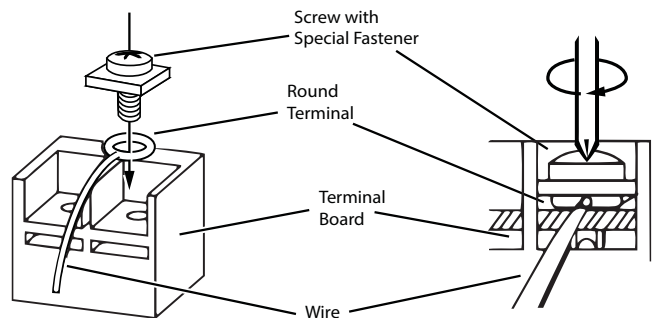
Stranded Wire

1. Cut back the insulation 3/8” from the end of the wire.
2. Make sure the round or forked terminal connector is rated for the amperage of the unit being installed.
3. Use a crimping tool only to fasten the connector to the wire.
4. Return the screw and connector to the terminal block and tighten securely.



Wiring Connections

1. High and low voltage wires should be led through different rubber rings of the electric box cover.
2. Maintain as much separation as possible between the power and control wiring.
3. High and low voltage wires should be secured separately. Secure the former ones with large clamps and the latter ones with small clamps.
4. Use screws to tighten high and low voltage wiring on the terminal board. Improper connection may create a fire hazard.
5. Ground the units by connecting the ground wire.
6. All wiring must comply with local and national code.



Duct System

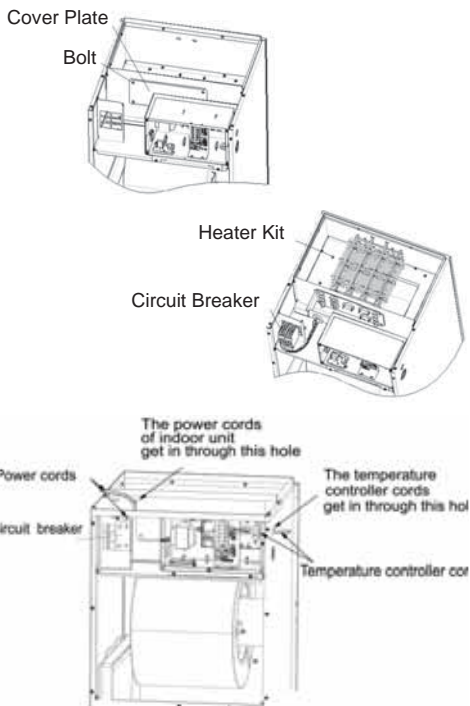
CAUTION

1. Ensure that the power supply is disconnected prior to installing the heater kit.
2. A means of strain relief and conductor protection must be provided at the supply wire entrance into cabinet.
3. Only use copper conductors.
4. Installation must follow The National Electrical Code and other applicable codes.
5. If this appliance is installed in an enclosed area, such as a garage or utility room with any carbon monoxide producing appliance, ensure that area is properly ventilated to the outside.

Installation Instructions

Heater Kit

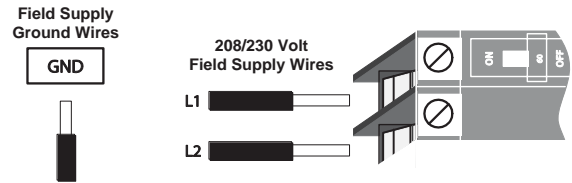
1. Refer to the table for the appropriate heater kit.
2. Check for any physical damage; do not install a damaged heater kit.
3. Remove the upper access panel from the air handler.
4. Remove cover plate from air handler.
5. Slide the heater kit into the slot and secure element plate with previously removed screws.
6. Insert power leads into the circuit breaker lugs or stripped red and black wires (for heater kit without circuit breaker) and tighten.
7. Connect ground wire to ground lug.
8. Knock off appropriate area of the plastic circuit breaker cover on the access panel of the air handler. Knock off the holes according to the actual installation number and positions of circuit breakers. If circuit breaker is not installed, do not knock off the holes, otherwise there is an electric shock risk.
9. Replace access panel and check operation.
10. Finalize power and control wiring.



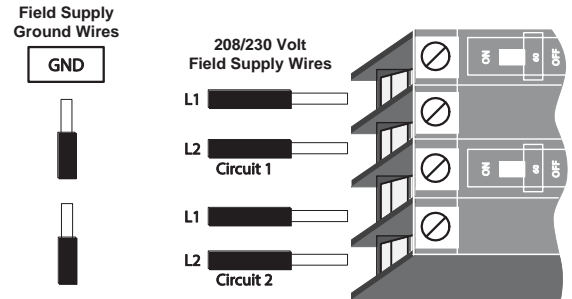
Seq.	Heater kit	Description	Ref .to use(ton)
1	UAZEH05A	5KW heater with 30A breaker	2.0 / 3.0
2	UAZEH08A	8KW heater with 45A breaker	2.0 / 3.0
3	UAZEH10A	10KW heater with 60A breaker	2.0 / 3.0 / 4.0 / 5.0
4	UAZEH15A	15KW heater with 30A+60A breakers	3.0 / 4.0 / 5.0
5	UAZEH20A	20KW heater with 60A+60A breakers	4.0 / 5.0

Electrical Connections

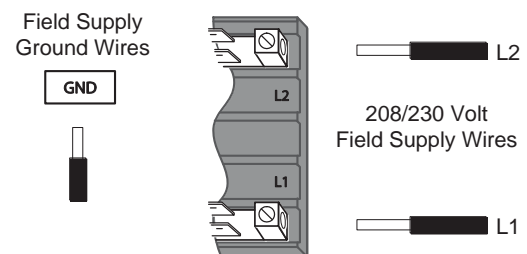
Connect to 5/810kw heater Circuit Breaker Air Handler Supply Voltage Wire Connections



Connect to 15/20kw heater Circuit Breaker Air Handler Supply Voltage Wire Connections



Connect to Terminal Block Air Handler Supply Voltage Wire Connections



ATTENTION: If it is new air handler and it is the first time installing heat, make sure the L1/L2 wires are connected to the heater breaker, then wire the ground wire. Use proper wire size as specified in this manual for heater assemblies. If there is no heat kit to install, please wire to terminal block.

It is forbidden to use the electric heater other than those recommended. During the defrosting period, if field installed electric heater, then indoor fan will continuous run, if not, it will stop.

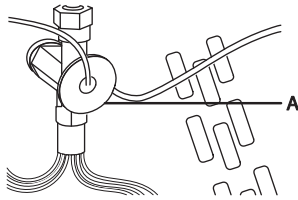
Installation Instructions

Thermal Expansion Valve (TXV)

Factory Installed Expansion Valves: Sensing bulbs are factory installed and clamped to the suction line. For optimum performance, reattach and insulate the bulb at a 10 or 2 o'clock position outside of the cabinet to the main suction line no more than one foot from the suction line connection after brazing is completed. If necessary, the bulb can be installed on a vertical suction line. In this instance, the bulb must be placed before any trap, with the bulb's capillary tube facing upward.

It is very important to insulate the TXV bulb after reattaching it to the suction line.

Thermal Expansion Valve (Letter A)



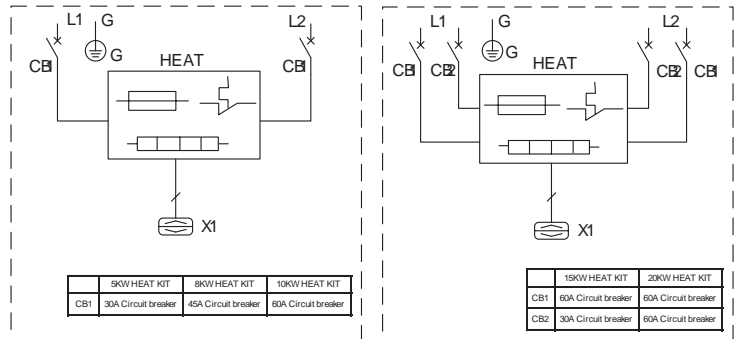
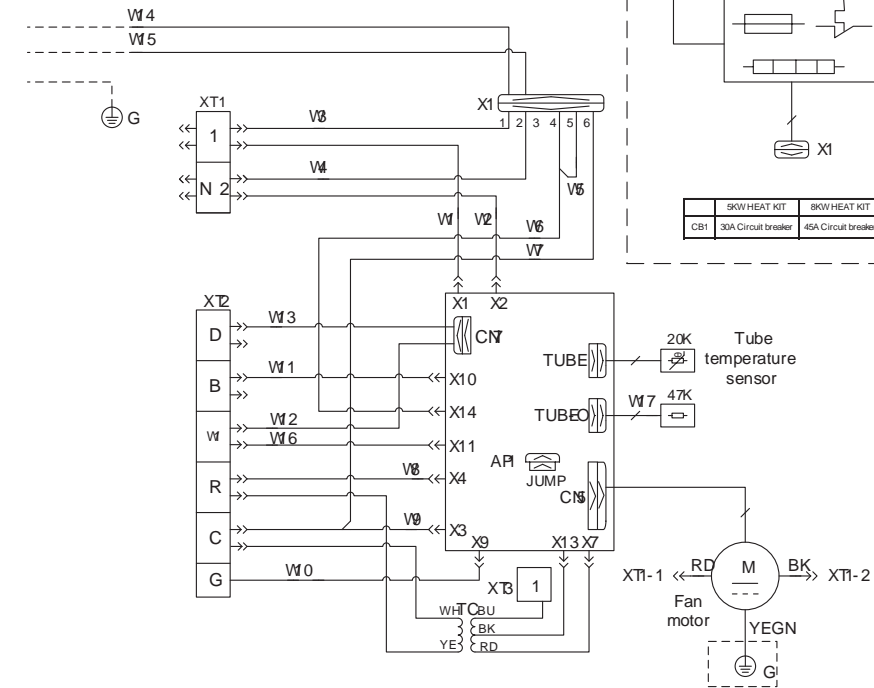
NOTE: Some models are equipped with thermo expansion valve and do not require any orifice change.

NOTE:

The coil comes pre-charged with Helium gas. The coil must be evacuated if the TXV valve is changed.

Installation Instructions

POWER



	5KW HEAT KIT	8KW HEAT KIT	10KW HEAT KIT
CB1	30A Circuit breaker	45A Circuit breaker	60A Circuit breaker

	15KW HEAT KIT	20KW HEAT KIT
CB1	60A Circuit breaker	60A Circuit breaker
CB2	30A Circuit breaker	60A Circuit breaker

Code	Name
TC	Transformer
XT1~XT3	Wiring board
D	Defrosting signal
B	4-way valve control signal, energized under the heating mode
W1	Heater control signal
R	24V AC power supply
C	24V common
G	Indoor unit fan signal

Note:

1. Please refer to the instruction manual to check whether the unit can connect to the engineering electric heating.
2. When the unit doesn't connect to the engineering electric heating, connect the engineering power supply to the W14(BK) and W15(WH) of X1.
3. When the unit connects to the engineering electric heating, connect the engineering power supply to the breaker.
4. The primary input voltage of transformer is defaulted at 230V(BK). When switching the power supply of the complete unit to 208V, connect the primary input voltage of transformer to 208V(BU), which can be realized by exchanging the black wire and the blue wire.
5. Only applicable for the unit whose motor is with earthing wire.
6. As for wiring, please refer to the parameters before " / " of MCA and MOP of heat kit on the nameplate for CB1; please refer to parameters after " / " of MCA and MOP for CB2.



Installation Instructions

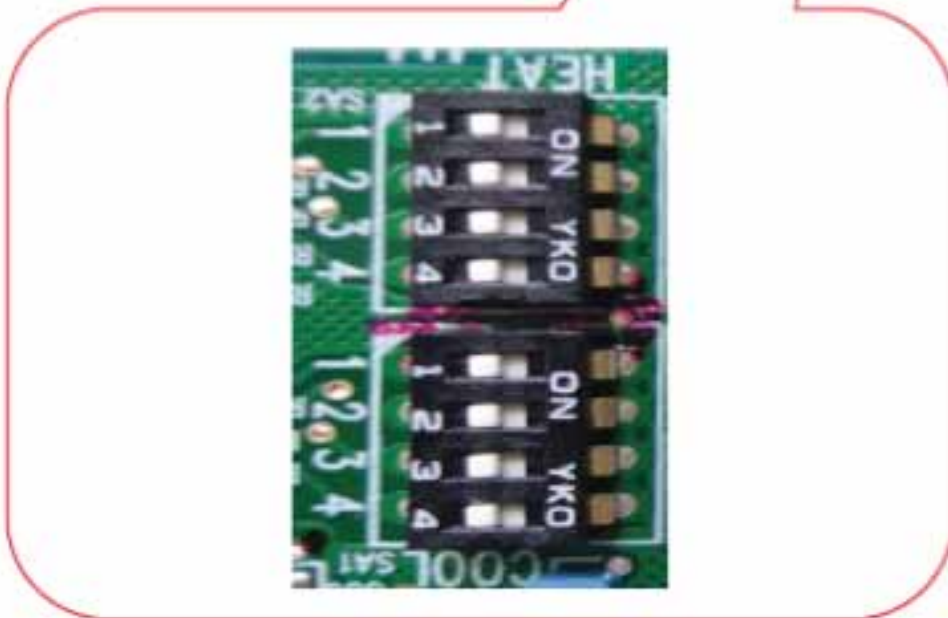
Airflow Adjustments Instructions for Connect Series

Default airflow settings for the air handler is Level 4. Air flow can be adjusted by using the control board dip switches different speeds according to the system static pressure. Fan speed settings are listed below:

1. Dip switch settings must be completed before powering on the unit.
2. Airflow dip switch is circled in red.



Control Board



Installation Instructions

Airflow Adjustments Instructions for Connect Series

DIP Switch Configuration

Model	Level	Heat (SA2)				Cool (SA1)			
UUY24ZGDAB	Level 1	OFF	ON	ON	ON	ON	ON	ON	ON
	Level 2	OFF	ON	ON	OFF	ON	ON	ON	ON
	Level 3	OFF	ON	OFF	ON	ON	ON	ON	ON
	Level 4 - Default	OFF	ON	OFF	OFF	ON	ON	ON	ON
	Level 5	OFF	OFF	ON	ON	ON	ON	ON	ON
	Level 6	OFF	OFF	ON	OFF	ON	ON	ON	ON
	Level 7	OFF	OFF	OFF	ON	ON	ON	ON	ON
	Level 8	OFF	OFF	OFF	OFF	ON	ON	ON	ON
UUY36ZGDAB	Level 1	ON	ON	ON	ON	ON	ON	ON	ON
	Level 2	ON	ON	ON	OFF	ON	ON	ON	ON
	Level 3	ON	ON	OFF	ON	ON	ON	ON	ON
	Level 4 - Default	ON	ON	OFF	OFF	ON	ON	ON	ON
	Level 5	ON	OFF	ON	ON	ON	ON	ON	ON
	Level 6	ON	OFF	ON	OFF	ON	ON	ON	ON
	Level 7	ON	OFF	OFF	ON	ON	ON	ON	ON
	Level 8	ON	OFF	OFF	OFF	ON	ON	ON	ON
UUY48ZGDAB	Level 1	OFF	ON	ON	ON	ON	ON	ON	ON
	Level 2	OFF	ON	ON	OFF	ON	ON	ON	ON
	Level 3	OFF	ON	OFF	ON	ON	ON	ON	ON
	Level 4	OFF	ON	OFF	OFF	ON	ON	ON	ON
	Level 5	OFF	OFF	ON	ON	ON	ON	ON	ON
	Level 6 - Default	OFF	OFF	ON	OFF	ON	ON	ON	ON
	Level 7	OFF	OFF	OFF	ON	ON	ON	ON	ON
	Level 8	OFF	OFF	OFF	OFF	ON	ON	ON	ON
UUY60ZGDAB	Level 1	ON	ON	ON	ON	ON	ON	ON	ON
	Level 2	ON	ON	ON	OFF	ON	ON	ON	ON
	Level 3	ON	ON	OFF	ON	ON	ON	ON	ON
	Level 4	ON	ON	OFF	OFF	ON	ON	ON	ON
	Level 5	ON	OFF	ON	ON	ON	ON	ON	ON
	Level 6 - Default	ON	OFF	ON	OFF	ON	ON	ON	ON
	Level 7	ON	OFF	OFF	ON	ON	ON	ON	ON
	Level 8	ON	OFF	OFF	OFF	ON	ON	ON	ON

Installation Instructions

Blower Performance Data

Model	Static Pressure- Inches W.C.	0	0.1	0.15	0.2	0.3	0.4	0.5	0.6	0.7	0.8	0.9	1.0
UUY24ZGDAB	Level 1	1030	900	840	760								
	Level 2	1080	960	900	840	760							
	Level 3		1120	1060	990	850							
	Level 4 - Default			1240	1180	1070	960	800					
	Level 5				1390	1290	1180	1090	970	830			
	Level 6					1450	1360	1250	1130	960	800		
	Level 7						1460	1370	1270	1150	970	830	
	Level 8							1500	1410	1340	1200	1080	930
UUY36ZGDAB	Level 1	1150	1050	950	880								
	Level 2	1200	1100	1000	940	850							
	Level 3		1260	1200	1100	950	760						
	Level 4 - Default			1390	1310	1160	1080	1000					
	Level 5				1560	1480	1400	1310	1210	1080	930		
	Level 6					1640	1590	1500	1420	1330	1220	1100	960
	Level 7						1690	1620	1520	1440	1350	1250	1150
	Level 8							1660	1600	1540	1440	1320	1220
UUY48ZGDAB	Level 1	1640	1500	1450	1400								
	Level 2	1680	1560	1530	1470	1300							
	Level 3		1690	1620	1550	1380							
	Level 4			1770	1710	1580	1430	1300					
	Level 5				1980	1860	1720	1620	1490	1380			
	Level 6 - Default					2010	1870	1750	1615	1500	1380		
	Level 7						2080	2000	1880	1750	1600	1420	
	Level 8							2040	1980	1930	1800	1700	1550
UUY60ZGDAB	Level 1	1660	1540	1470	1400								
	Level 2	1850	1720	1650	1600	1400							
	Level 3		1800	1730	1650	1480	1315						
	Level 4			1950	1860	1760	1640	1500	1325				
	Level 5				2140	2040	1930	1800	1670	1520	1370		
	Level 6 - Default					2090	2010	1910	1760	1650	1550	1430	1380
	Level 7						2115	2050	1990	1920	1840	1750	1660
	Level 8							2080	2040	2000	1950	1920	1890

Installation Instructions

Final Check

System Test

Please explain to the customer how to operate the system by using the Owner's Manual found with the indoor unit.

Explaining Operation To the End User

- Using the User Manual, explain to the user how to use the air conditioner/heat pump, (the remote controller, adding/removing the air filters, placing or removing the remote controller from the remote control holder, cleaning methods, precautions for operation, etc.)
- Review precautions for operation.
- Recommend that the user read the Operating Instructions carefully.

Check Items for Test Run

- No gas leak from linesets?
- Are the linesets insulated properly?
- Are the connecting wirings of indoor and outdoor firmly inserted to the terminal block?
- Is the connecting wiring of indoor and outdoor fixed?
- Is condensate draining correctly?
- Is the ground wire securely connected? Is the indoor unit securely fixed?
- Is power source voltage correct according to local code?
- Is there any odd noise?
- Does the cooling temperature drop between 20-30°F?
- Does the heating temperature raise between 30-40°F?
- Is the room temperature display accurate?

Troubleshooting

Problem	Possible Causes	Solution
The unit cannot be turned on.	The unit is not connected to the power supply	Connect to power supply
	Low voltage	Check if circuit voltage is within rated scope.
	The fuse is broken or the breaker shorted out	Replace fuse or connect breaker
The unit operates but stops immediately.	Air inlet/outlet of indoor unit is blocked.	Remove obstacles.
Abnormal cooling or heating.	Air inlet/outlet of indoor unit is blocked.	Remove obstacles.
	Inaccurate temperature setting.	Adjust setting at wired controller.
	Doors or windows are opened.	Close the door or windows.
	Direct sunshine.	Draw curtain or louver.
	Too much heat source in the room.	Reduce heat source.
Unit doesn't run.	Filter screen is blocked by dirt.	Clean the filter.
	When unit is started immediately after it is just turned off.	Overload protection switch makes it run after 3 minutes delay.
Mist comes from the unit.	When power is turned on.	Standby operating for about 1 minute.
	Under cooling.	Indoor high humidity air is cooled rapidly.
The unit is making noises	Slight cracking sound is heard when just turned on.	It is noise when electronic expansion valve initialization.
	There is consecutive sound when cooling.	That's sound for gas refrigerant flowing in the unit.
	There is sound when unit starts or stops.	That's sound for gas refrigerant stops flowing.
	There is slight and consecutive sound when unit is running or after running.	That's sound for operation of drainage system.
The unit blows out dust.	When unit runs after no operation for a long period.	Dust in indoor unit is blown out.
The unit smells abnormal	Operating.	The room odor absorbed by the unit is blown out again.
Indoor unit still runs after switch off.	After every indoor unit receive "stop" signal, fan will keep running.	Indoor fan can be set as "ON" or "AUTO" mode. Under "ON" mode, indoor fan will keep running after switch off the unit.

Installation Instructions

There are LED indicators on the main board of the indoor unit, which are used to display the operating status and malfunction information of the unit.

LED Indicator	Color	Function
Power Indicator	Red	Indoor unit main board is powered on, Power Indicator is on.
Running Indicator	Green	After detecting the indoor fan turn-on signal, the running indicator light is on, when detecting the indoor fan turning-off signal, the running indicator light is off. When detecting a system failure, the running indicator light flashes.

Different running indicator flashing light means different system failure.

Malfunction	Running Indicator Status	Remark
Indoor Jumper cap failure	Light out 3S then flash once	Flash means light on 0.5S then out 0.5S
Indoor fan failure	Light out 3S than flash twice	
Indoor tube temperature sensor failure	Light out 3S then flash four times	

Notes

Limited Warranty

For the product models listed on Attachment 1 (the "Product"), this Standard Base Limited Warranty is provided to the Original Owner of the Product:

For The Period Of:	GE Appliances Will Replace:
5 year limited parts warranty From the date of the original purchase	This Standard Base Limited Warranty covers all defects in workmanship or material for the mechanical and electrical parts (including the compressor) contained in the Product ("Defective Parts") for a period of 5 years from the Date of Purchase. GE Appliances will provide new or refurbished parts, or a replacement for all or part of the unit, at its sole discretion, to your licensed HVAC technician installer. This warranty also covers all defects in workmanship or material for the unit controller for a period of 1 year. The remote controller is covered by 1-year accessory warranty. The ductless system is covered by Standard Base Limited Warranty. GE Appliances will provide a new or refurbished controller, at its sole discretion.

WHAT IS THE DATE OF PURCHASE

The "Date of Purchase" is the date that the original installation is complete and all product start-up procedures have been properly completed and verified by the installer's invoice. Registration is strongly recommended. If the installation date cannot be verified, then the Date of Purchase will be sixty (60) days after the manufacture date, as determined by the Product's serial number. You should keep and be able to provide your original sales receipt from the installer as proof of the Date of Purchase. For new construction, the Date of Purchase will be the date of purchase of the residence by the Owner from the builder.

WHO IS COVERED

Owner occupied: The "Original Owner" of this product means the original owner (and his or her spouse) of the residence where the Product was originally installed. Non-owner occupied: The "Original Owner" of the Product means the original owner of the building where the Product was originally installed, and for new construction, the purchaser of the building from the builder. "Non-owner occupied" is defined as a a) single family or multi-family non-owner-occupied residential building, or b) non-industrial commercial application, (such as office buildings, retail establishments, hotels/motels), but for non-owner-occupied Original Owners, this limited warranty requires that the product be installed and maintained annually by a licensed HVAC technician (proof of annual maintenance is required). Subject to the law of the state or province where the Product is installed, the remainder of this Standard Base Warranty is transferable to subsequent owners of the residence or building.

HOW CAN YOU GET SERVICE

Contact your licensed HVAC technician installer. All installation and service must be performed by a licensed HVAC technician.

Failure to use a licensed HVAC technician for installation of this Product voids all warranty on this Product.

THIS WARRANTY DOES NOT COVER

- Damage from improper service or installation.
- Damage in shipping.
- Defects other than manufacturing defects (i.e., other than workmanship or materials).
- Damage from misuse, abuse, accident, alteration, lack of proper care and/or regular maintenance, or incorrect electrical voltage or current.
- Damage resulting from floods, fires, wind, lightning, accidents or similar conditions.
- Product that was not installed or serviced by a licensed HVAC technician.
- Labor and related services for repair or installation of the Product.
- A product purchased from an unauthorized online retailer.
- Damage as a result of subjecting Product to an atmosphere with corrosives or high levels of particulates (such as soot, aerosols, fumes, grease).
- A Product sold and/or installed outside of the 50 United States, the District of Columbia, or Canada.
- Batteries for the controller and other accessories provided with the Product for installation (e.g., plastic hose).
- Normal maintenance, such as cleaning of coils, cleaning filters, and lubrication.
- For Product installed in non-owner occupied applications, Product that has not been maintained annually by a licensed HVAC technician (proof required).
- Damage caused by a used or unapproved component or part by GE Appliances, a Haier company (e.g., a used and/or unapproved condenser / air handler).
- Component or parts are not provided by GE Appliances, a Haier Company
- Product that has been moved from its original installation to a new residence or building.

Limited Warranty

10 YEAR STANDARD REGISTERED LIMITED WARRANTY

All "Indoor and Outdoor Products," identified in Attachment 1, registered by the installer or the Original Owner within 60 days of the Date of Purchase shall receive a Standard Registered Limited Warranty, which shall be identical to the Standard Base Warranty, except that the Limited Parts Warranty shall be for a term of 10 Years. All Product not registered within 60 days of the Date of Purchase shall be subject to the Standard Base Warranty. Some states and provinces do not allow warranty terms to be subject to registration; in those states and provinces the longer terms for Limited Parts Warranty apply. Except in Texas or where otherwise required by law, this Standard Registered Limited Warranty is not transferable to a subsequent purchaser (other than the purchaser of a new building), but subsequent purchases will receive the remainder of the Standard Base Warranty.

THIS LIMITED WARRANTY IS GIVEN IN LIEU OF ALL OTHER WARRANTIES, EXPRESS OR IMPLIED, INCLUDING THE WARRANTIES OF MERCHANTABILITY AND FITNESS FOR A PARTICULAR PURPOSE.

The remedy provided in this warranty is exclusive and is granted in lieu of all other remedies. This warranty does not cover incidental or consequential damages. Some states and provinces do not allow the exclusion of incidental or consequential damages, so this limitation may not apply to you. Some states and provinces do not allow limitations on how long an implied warranty lasts, so this limitation may not apply to you. This warranty gives you specific legal rights and you may also have other rights which vary by state and province. This warranty covers units within the 50 United States, the District of Columbia and Canada. This warranty is provided by:

GE Appliances, a Haier company, Louisville, KY 40225.

ATTACHMENT 1

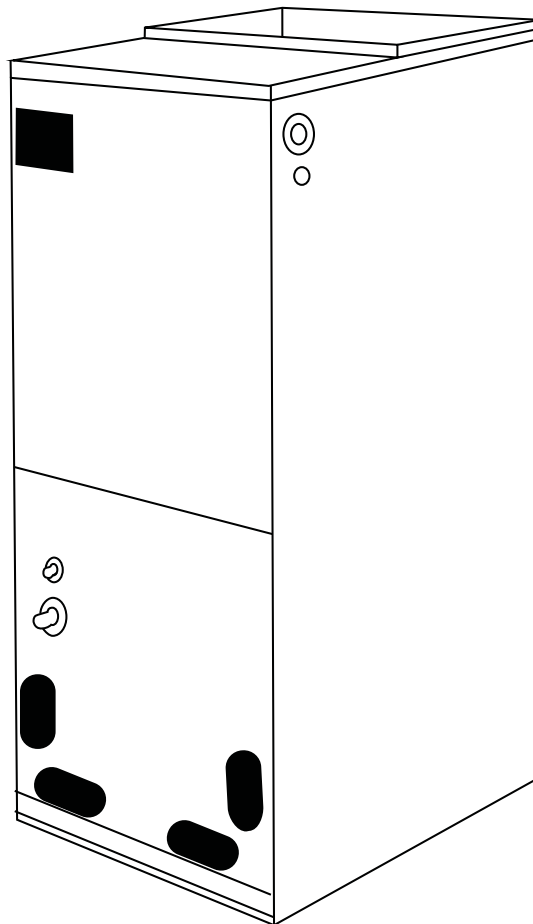
The "Product" is defined as Haier brand and GE Appliances brand Ductless Split Units and Side-discharge Units. The "Product" contains 2 sub-categories of goods: "Indoor and Outdoor Products" and "Selected Installation Products," which are further defined below: "Indoor and Outdoor Products" can further be identified by the following model number descriptions: 1U*, 2U*, 3U*, 4U*, 5U*, AB*, AD*, AL*, AM*, AW*, AF*, ASY*, USY*, ASH*, AUH*, UUC*, UUY*, "Selected Installation Products", identified by the following model number descriptions: PB-*, PAD-*.

Staple your receipt here. Proof of the original purchase date is needed to obtain service under the warranty.



GE APPLIANCES

<h1>Instructions d'installation</h1>	<h1>Unité de traitement d'air</h1>
--	--



Le fabricant recommande d'installer un système intérieur et extérieur assorti répertorié AHRI. L'installation d'un système intérieur et extérieur apparié approuvé fournira une efficacité optimale et la meilleure fiabilité globale du système.

**LISEZ ET CONSERVEZ CES
INSTRUCTIONS**

Renseignements De Référence

Merci d'acheter ce produit GE Appliances. Ce manuel d'utilisation vous aidera à obtenir le meilleur rendement de votre nouveau climatiseur.

Pour référence ultérieure, inscrivez les numéros de modèle et de série sur l'étiquette située sur le côté de votre climatiseur ainsi que la date d'achat.

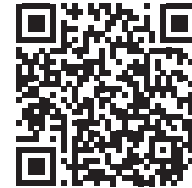
Agrafez votre preuve d'achat à ce manuel pour faciliter le service de la garantie en cas de besoin.

Pour enregistrer votre nouveau système sans conduit GE Appliances, allez sur la page GEAppliances.com/register et entrez les numéros de modèle et de série sur cette page. Vous devez enregistrer votre produit dans les soixante (60) jours suivant l'installation afin de vous prévaloir de la garantie de dix (10) ans sur le compresseur et les pièces.

Numéro de modèle

Numéro de série

Date d'achat



Ce manuel contient les instructions d'installation pour les unités intérieures en hauteur. Pour la série FlexFit utilisant des unités intérieures de style différent, reportez-vous aux manuel d'utilisation fourni avec l'unité intérieure pour les instructions d'installation.

CONSIGNES DE SÉCURITÉ IMPORTANTES

LISEZ TOUTES LES INSTRUCTIONS AVANT D'UTILISER LE SYSTÈME

⚠ AVERTISSEMENT

Pour votre sécurité, les renseignements dans ce manuel doivent être observés afin de minimiser le risque d'incendie, de décharge électrique ou de blessure.

- Utilisez cet équipement uniquement aux fins auxquelles il est fait mention dans ce manuel d'utilisation.
- Avant son utilisation, ce climatiseur doit être installé correctement en conformité avec les instructions d'installation.
- Tout le câblage doit présenter des valeurs nominales compatibles avec l'alimentation électrique spécifiée sur la plaque signalétique. Utilisez seulement du fil de cuivre.
- Toute la partie électrique de l'installation doit être exécutée par un électricien agréé selon les codes de l'électricité local et national.
- Toute réparation doit être effectuée par une personne qualifiée.

Les règlements fédéraux exigent qu'un technicien doive posséder un certificat de classe II ou universel lui permettant d'exécuter tous les travaux pour un système de réfrigération étanche.

- Tous les climatiseurs contiennent un frigorigène qu'il faut retirer avant de disposer du produit en vertu de la loi fédérale. Si vous vous débarrassez d'un produit qui contient un frigorigène, informez-vous auprès de l'organisme responsable d'en disposer.
- Ces systèmes de climatisation R-410A exigent que les entrepreneurs et les techniciens utilisent des outils, des équipements et des normes de sécurité approuvés pour ce type de frigorigène. N'utilisez PAS un équipement certifié pour le frigorigène R22 seulement.

⚠ AVERTISSEMENT

RISQUE DE CHOC ÉLECTRIQUE. Peut occasionner une blessure ou la mort.

- Une mise à la terre est essentielle avant de brancher l'alimentation électrique.
- Coupez l'alimentation électrique à la source avant de procéder à une réparation ou un entretien.
- Réparez ou remplacez immédiatement tout câblage électrique usé ou autrement endommagé. N'utilisez pas un câblage qui présente des fissures ou des marques d'abrasion sur sa longueur ou l'une de ses extrémités.

⚠ AVERTISSEMENT

RISQUE D'INCENDIE. Peut occasionner une blessure ou la mort.

- Abstenez-vous d'entreposer ou d'utiliser des matières combustibles, de l'essence ou d'autres vapeurs ou liquides inflammables à proximité de cet appareil ou de tout autre.

⚠ AVERTISSEMENT

Cet appareil n'est pas destiné à être utilisé par des personnes (y compris les enfants) dont les capacités physiques, sensorielles ou mentales sont réduites, ou manquant d'expérience et de connaissance, sauf si elles sont étroitement surveillées et instruites sur l'utilisation de l'appareil par une personne responsable de leur sécurité. Les enfants doivent être surveillés afin de s'assurer qu'ils ne jouent pas avec l'électroménager.

Pour prévenir le risque de suffocation, gardez à l'écart des enfants les sacs ou les pellicules en plastique utilisés pour l'emballage.

Assurez-vous de ne pas laisser pénétrer des matières étrangères (huile, eau, etc.) dans la tuyauterie de réfrigérant. Scellez les extrémités de la tuyauterie de réfrigérant avant le remisage.

À des fins d'installation, assurez-vous d'utiliser les pièces fournies par le fabricant ou d'autres pièces prescrites. L'utilisation de pièces non prescrites peut entraîner de graves accidents tels que la chute de l'appareil, les fuites d'eau, la décharge électrique ou l'incendie.

L'alimentation électrique nominale de ce produit est de 208/230 VCA/60Hz/1PH. Vérifiez que la tension se situe entre 187 et 253 V avant de mettre l'équipement sous tension.

L'alimentation électrique à la pompe à chaleur doit provenir d'un circuit dédié qui satisfait les exigences en courant admissible d'un circuit de dérivation.

Utilisez un disjoncteur et une prise de circuit de dérivation spéciaux qui correspondent à la capacité du circuit d'alimentation de la pompe à chaleur. (Installez conformément aux normes techniques locales relatives aux équipements électriques.)

Lorsque le chauffage électrique est en marche, le ventilateur de l'appareil de traitement d'air doit être en marche.

CONSIGNES DE SÉCURITÉ IMPORTANTES

LISEZ TOUTES LES INSTRUCTIONS AVANT D'UTILISER LE SYSTÈME

⚠ ATTENTION

Il est fortement recommandé de ne pas ouvrir ou fermer les robinets d'arrêt lorsque la température extérieure est en dessous de -5 °F (-21 °C) car cela pourrait causer une fuite de réfrigérant.

Assurez-vous que l'appareil est sous tension durant au moins 12 heures après des périodes de mise hors tension dans un environnement de 32 °F (0 °C) ou plus froid.

Ne touchez pas aux ailettes du serpentín. Toucher aux ailettes risque de les endommager ou d'occasionner une coupure de la peau.

Assurez-vous que la capacité du circuit d'alimentation est adéquate pour toutes les charges connectées au panneau de branchement électrique. Augmentez la capacité du conducteur et du panneau si le total des charges électriques excède la source d'alimentation électrique.

Contactez le fournisseur d'électricité si l'alimentation électrique est en-dessous des spécifications inscrites sur la plaque signalétique de l'équipement.

Assurez-vous d'installer un disjoncteur de la capacité requise.

Consultez les exigences locales concernant le type et la catégorie de disjoncteur, de câblage électrique et du fil de commande.

La réglementation relative aux câbles et aux disjoncteurs diffère selon les régions, il faut donc respecter les codes locaux.

N'utilisez pas les conduites de réfrigérant existantes.

Utilisez une tuyauterie de réfrigérant qui est propre et exempte de contamination pouvant causer des dommages au système, y compris les éléments suivants : soufre, oxyde de cuivre, poussière, fragments de métal, poudre, huile ou eau.

Évitez de braser les conduites ensemble. Utilisez une longueur de tuyau de cuivre continue étant donné que les oxydes produits par une technique de brasage incorrecte peuvent endommager l'équipement.

N'utilisez pas de tuyaux de cuivre dont une partie s'est effondrée, déformée ou décolorée (en particulier la surface intérieure). Autrement, des contaminants peuvent bloquer le détendeur ou le tube capillaire.

Un dimensionnement incorrect de la tuyauterie va diminuer le rendement. Les pointes de pression du réfrigérant R410A sont beaucoup plus élevées que celles du R22. Utilisez une tuyauterie en cuivre dont l'épaisseur des parois est adéquate.

Évitez les courbures abruptes afin de prévenir l'endommagement du tuyau. Courbez le tuyau selon un rayon de courbure de 4 po (100 mm) ou plus.

Le tuyau se brisera s'il est courbé à répétition au même endroit.

LISEZ ET CONSERVEZ CES INSTRUCTIONS

POUR OBTENIR DE L'AIDE SUPPLÉMENTAIRE, VISITEZ GEAPPLIANCES.COM OU COMMUNIQUEZ AVEC L'ASSISTANCE AU CONSOMMATEUR AU 877-337-3639.

AVANT DE COMMENCER

Veillez lire toutes ces instructions attentivement.

• IMPORTANT — Conservez ces instructions à l'usage de l'inspecteur local.

• IMPORTANT — Observez tous les codes et ordonnances en vigueur.

- **Note à l'installateur** – Assurez-vous de laisser ces instructions au consommateur.
- **Note au consommateur** - Conservez ces instructions pour référence ultérieure.
- **Niveau de compétence** – Un technicien (pour manipuler le frigorigène R-410A, récupération, etc.) et un électricien agréés sont requis pour l'installation y compris de ce climatiseur à deux blocs.
- L'exactitude de l'installation est la responsabilité de l'installateur.
- La garantie ne couvre pas les défauts du produit causés par une installation inadéquate.
- Pour votre sécurité, ce produit doit être correctement mis à la terre.
- Les dispositifs de protection (fusibles ou disjoncteurs) admissibles pour l'installation sont spécifiés sur la plaque signalétique de chaque unité.
- Si une réparation exige de pénétrer dans le système de frigorigène étanche, la réglementation fédérale impose de faire réaliser le travail par un technicien de Classe II ou détenant une certification universelle.

⚠ ATTENTION

- Le câblage électrique en aluminium peut présenter des problèmes particuliers, veuillez consulter un électricien agréé.
- Le câblage de bâtiment en aluminium peut présenter des problèmes particuliers, veuillez consulter un électricien agréé.

Vue d'ensemble

Il est de la responsabilité de l'installateur de s'assurer de la conformité de tous les aspects de l'installation aux codes nationaux, provinciaux et locaux en vigueur.

Il est impossible de tenir compte, dans ce manuel, de chaque différence ou anomalie entre les systèmes et les sites de travail. Si des questions se posent, l'installateur a l'obligation de communiquer avec le distributeur ou le fournisseur de ce produit pour obtenir de l'assistance.

Pour s'assurer d'un rendement approprié, la chute de pression dans le systèmes de conduits ne doit jamais excéder la capacité de pression statique du ventilateur.

Utilisez uniquement des composants de chauffage en accessoire qui sont approuvés dans ce manuel.

Tout le travail doit être réalisé par des personnes formés, expérimentées et agréées dans les domaines mécanique et électrique.

Le fabricant ne sera pas tenu responsable de l'équipement sous-performant en raison d'une omission de suivre les instructions de ce manuel ou les meilleurs pratiques de l'industrie.

Le fabricant a le droit de réviser ce manuel sans avis préalable.

1. Aucune personne ne doit utiliser, maintenir ou réparer cet équipement à moins qu'elle ne soit formée correctement par un professionnel de l'industrie.
2. Débranchez l'unité de l'alimentation électrique si elle n'est pas utilisée durant une longue période.
3. Soyez certain de sélectionner le modèle approprié pour la charge de fonctionnement. Une sélection inappropriée peut impacter le rendement de l'unité.
4. Veuillez ne pas démonter l'unité sans formation appropriée. Cet équipement a subi une inspection minutieuse et des test de fonctionnement à l'usine.
5. Pour de l'aide sur le plan technique, veuillez contacter l'assistance technique de GE Appliances.

6. Si le produit ne fonctionne pas bien ou s'il n'est pas utilisable, veuillez contacter l'assistance technique de GE Appliances. Veuillez fournir les renseignements suivants :

- a. Les données de la plaque signalétique du produit (numéros de modèle et de série, capacité de refroidissement/chauffage, date de l'usine).
- b. Nature de la défektivité (précisez les circonstances précédant et suivant l'apparition de l'erreur).

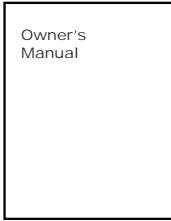
7. Toutes les illustrations et les informations dans le manuel d'instructions sont fournies à titre de référence seulement. Nous retenons le droit de procéder aux révisions nécessaires du produit de temps à autre.

8. GE Appliances n'assume aucune responsabilité pour les blessures, les pertes de propriété ou les dommages à l'équipement causés par une installation ou une mise en service incorrects, une maintenance inutile ou l'omission de respecter les règlements fédéraux et provinciaux pertinents, les normes de l'industrie et les exigences décrites dans ce manuel d'instructions.

9. GE Appliances n'assumera aucune responsabilité pour les blessures ou les dommages à la propriété causés par les conditions suivantes :

- a. Utilisation inappropriée de l'appareil.
- b. Modification, maintenance ou utilisation du produit avec de l'équipement non approuvé.
- c. Modification, maintenance ou utilisation du produit en dehors des directives de ce manuel.
- d. Défektivités causées par du gaz corrosif.
- e. Défektivités causées par un dommage survenu lors de l'expédition.
- f. L'omission de se conformer à ce manuel d'instruction ou aux règlements gouvernementaux.
- g. Produits fabriqués par d'autres fabricants.
- h. Catastrophes naturelles, environnement inapproprié pour l'installation ou force majeure.

Accessoires

Pièce	Ressemble à	Quantité
Manuel d'utilisation		1

Instructions d'installation

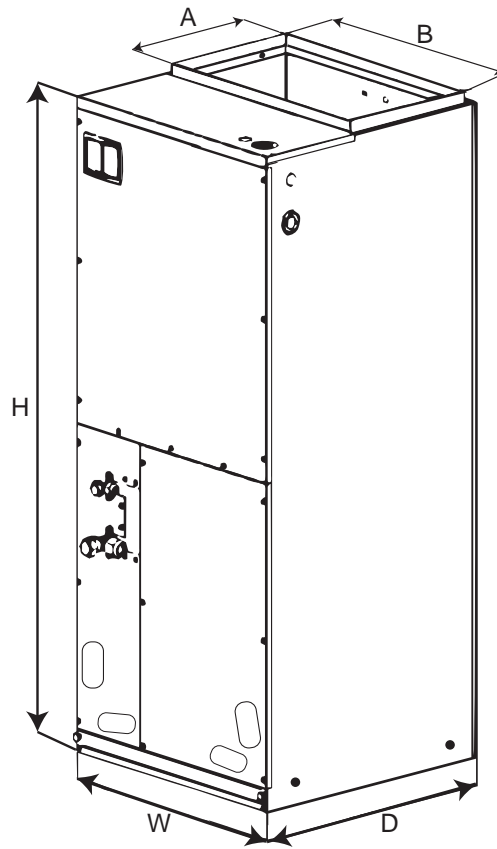
Outils nécessaires pour l'installation

- Câble de thermostat 18-8.
- Clé 5/8 (16 mm), 7/8 (22 mm), 1 po (25 mm) ou réglable
- Frigorigène R-410A*
- Ruban adhésif*
- Bride de câble de conduit 1/2 po*
- Tuyauterie en cuivre (voir tableau page 15 pour dimensions)
- Tournevis cruciforme no 2
- Perceuse
- Outil à évaser pour R-410A
- Clé hexagonale
- Scie-cloche 2 1/4 po
- Isolant*
- Balance pour réfrigérant
- Niveau
- Ensemble de manomètre de pression
- Ruban à mesurer
- Microvacuomètre
- Adaptateur « mini-split » (5/16 po F à 1/4 po M)
- Azote*
- Coupe-tuyau
- Tuyau PVC
- Couteau utilitaire
- Alésoir
- Bride de tuyau (L.S.) avec vis
- Scellant, non expansif (pour trou de tuyauterie)
- Solution d'eau savonneuse* ou détecteur de fuite de gaz
- Localisateur de montants
- Clé dynamométrique
- Pompe à vide
- Pincés à dénuder
- Tous les outils manuels ou électriques pour CVC ainsi que les appareils de mesure et de test.

* matériaux consommables

Instructions d'installation

Dimensions de l'unité



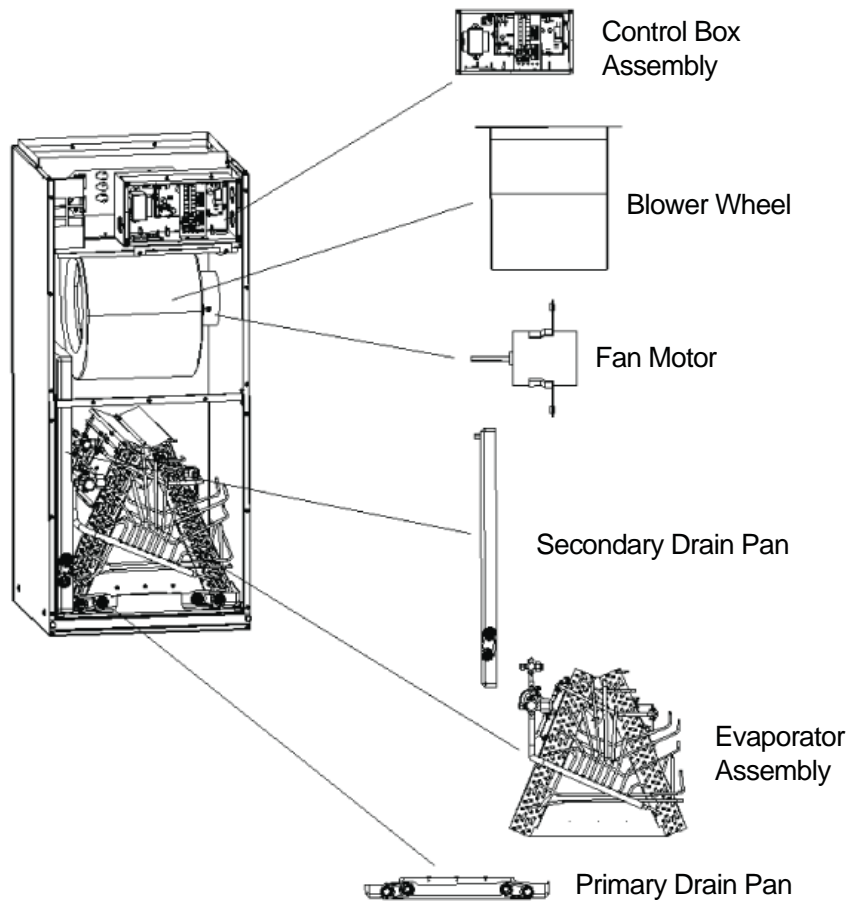
Modèle	Dimension en pouces (mm)				
	Largeur	Profondeur	Hauteur	A	B
UUY24ZGDA*	21-1/4(540)	21-1/4(540)	48-1/4(1224)	11-5/8(295)	20(508)
UUY36ZGDA*					
UUY48ZGDA*	24-3/4(630)	21-1/4(540)	57(1448)	11-5/8(295)	20(508)
UUY60ZGDA*					

Dégagements pour l'installation

Un dégagement de 24 po est nécessaire pour le retrait du filtre, du serpentin ou du ventilateur et l'accès de service. L'unité de traitement d'air peut être installée dans un placard doté d'un double fond pour former un plénum de reprise d'air, ou installée avec un plénum de reprise d'air sous l'unité.

Instructions d'installation

Pièces principales



Modèle	Capacité de refroidissement (tonne)	Élément chauffant en option (kW)
UUY24ZGDA*	2.0	5/8/10
UUY36ZGDA*	3.0	5/8/10/15
UUY48ZGDA*	4.0	10/15/20
UUY60ZGDA*	5.0	10/15/20

Modèle	Motor @ 230V ~, 60Hz	
	HP	FLA
UUY24ZGDA*	1/2	2.1
UUY36ZGDA*		
UUY48ZGDA*	1	3.2
UUY60ZGDA*		

Modèle	Taille du filtre
UUY24ZGDA*	20" x 20"
UUY36ZGDA*	
UUY48ZGDA*	21" x 20"
UUY60ZGDA*	

Instructions d'installation

⚠ ATTENTION

Avant l'installation, coupez toutes les sources d'alimentation électrique destinées à l'utilisation de cet équipement.

1. Vérification du produit reçu

Une fois le produit reçu, veuillez vérifier s'il a été endommagé pendant le transport. Les dommages liés à l'expédition sont de la responsabilité du transporteur. Vérifiez que le numéro de modèle, les spécifications et les accessoires sont corrects avant l'installation. Le distributeur ou le fabricant n'accepteront pas les réclamations des revendeurs pour des dommages liés au transport ou l'installation d'unités incorrectement expédiées. Le fabricant n'assume aucune responsabilité pour l'installation d'unités incorrectement livrées.

2. Avant l'installation

Veuillez lire toutes les instructions avant de procéder à l'installation. Assurez-vous que chaque étape ou procédure est comprise et que toute considération spéciale est prise en compte avant de commencer l'installation. Assemblez tous les outils, la quincaillerie et les fournitures nécessaires pour compléter l'installation. Il se peut que vous deviez acheter certains articles séparément. Assurez-vous que tout ce dont vous avez besoin pour installer le produit est à portée de main avant de commencer.

3. Codes et règlements

Ce produit est conçu et fabriqué pour satisfaire les codes nationaux. L'installateur a la responsabilité d'installer le produit en conformité avec de tels codes et/ou tout code ou règlement local qui prévaut. Le fabricant n'assume aucune responsabilité pour l'équipement installé en violation de codes ou de règlements en vigueur.

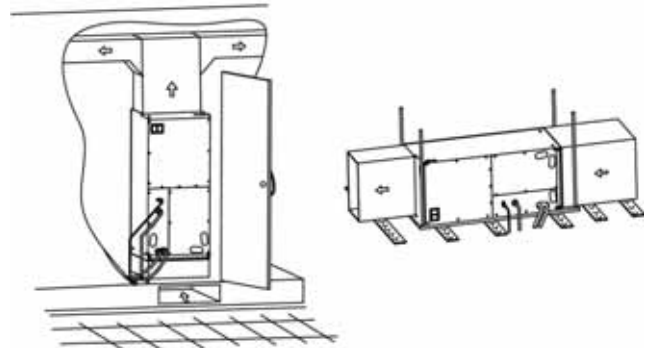
4. Pièces de rechange

Lorsque vous rapportez des articles manquants ou des dommages, ou commandez des pièces de rechange, fournissez les numéros de modèle et de série complets tels qu'ils sont estampés sur la plaque signalétique. Les pièces de rechange sont disponibles auprès de votre entrepreneur ou votre distributeur local.

⚠ AVERTISSEMENT

- Cette unité de traitement d'air est conçue pour une installation à l'intérieur seulement. N'installez pas cette unité à l'extérieur.
- Lorsque vous installez l'unité de traitement d'air, pensez à réduire la longueur de la tuyauterie de réfrigérant autant qu'il est possible.
- Si vous installez dans un endroit directement au-dessus d'un plafond fini (tel qu'un comble), l'installation d'un plateau à condensat d'urgence est requise directement sous l'unité. Consultez les codes locaux et nationaux pour les exigences en la matière.
- Lorsque vous installez cette unité dans un endroit qui peut devenir trempé, élevez l'appareil sur un matériau solide et non poreux. Installez une barrière de protection conforme aux codes si l'installation peut être sujette à des dommages, par exemple dans un garage.
- Cette unité de traitement d'air est conçue pour un système complet de conduits d'admission et de reprise d'air. Ne faites PAS fonctionner ce produit sans y raccorder un système complet de conduits. N'installez PAS l'unité de traitement d'air dans un endroit au-dessus ou au-dessous d'une unité extérieure qui n'est pas conforme aux instructions fournies avec cette unité extérieure. Le dégagement nécessaire pour l'entretien et les réparations doit avoir la priorité. Allouez un dégagement de service d'un minimum de 24 po devant l'unité.
- Si l'unité de traitement d'air doit être installée dans un espace fermé qui contient des appareils de combustion, des émissions d'échappement de véhicule ou d'autres sources de monoxyde de carbone potentielles, toutes les exigences des codes relatives à ces conditions doivent être strictement respectées. Le système de conduits de l'unité de traitement d'air ferait circuler les émissions de monoxyde de carbone dans l'espace occupé, occasionnant le décès ou une maladie sévère.

Illustration des configurations d'une installation typique



Ascendant

Horizontal à gauche

Instructions d'installation

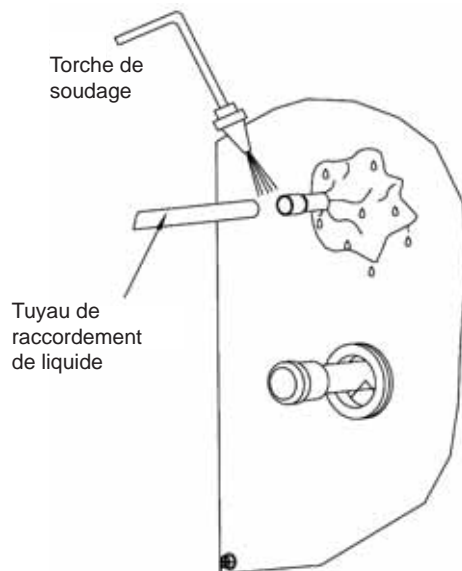
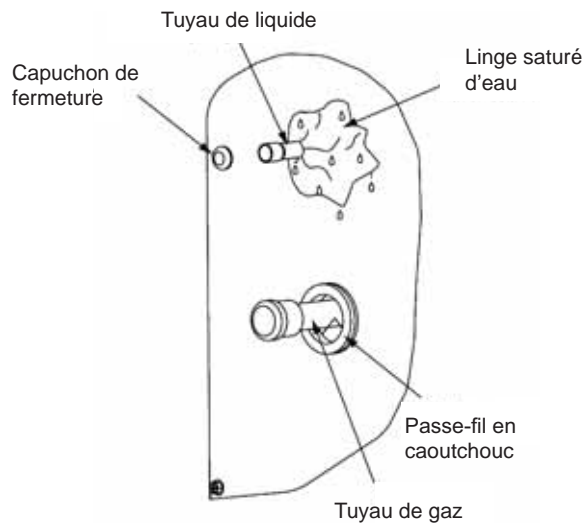
Installation d'une tuyauterie conventionnelle

Taille du tuyau

Modèle	Diamètre extérieur (pouces)	
	Tuyau de gaz	Tuyau de liquide
UUY24ZGDA*	3/4	3/8
UUY36ZGDA*		
UUY48ZGDA*		
UUY60ZGDA*		

Préparation de la tuyauterie

- Toutes les extrémités doivent être arrondies, sans morfil et nettoyées. Ne pas respecter cette pratique augmente les possibilités de fuite du réfrigérant.
- Enveloppez d'abord le passe-fil en caoutchouc avec un linge saturé d'eau puis soudez les capuchons de fermeture des tuyaux et gaz et de liquide. Soudez ensuite les tuyaux de gaz et de liquide aux tuyaux de raccordement.



Installation des tuyaux de réfrigérant

Les tuyaux de réfrigérant doivent être connectés par un technicien en climatisation agréé en conformité avec les procédures établies.

IMPORTANT:

- Les tuyaux de réfrigérant de connexion doivent être propres, déshydratés, fabriqués d'un cuivre de qualité réfrigérant. Les serpentins de l'unité de traitement d'air doivent être installés seulement avec des dimensions de tuyaux spécifiées pour des combinaisons de systèmes approuvées.
 - Manipulez les tuyaux de réfrigérant avec soin pendant l'installation. Des courbes trop prononcées ou des plis dans la tuyauterie causeront une restriction.
 - Ne retirez pas les capuchons de connexion au système tant que les connexions ne sont pas terminées.
1. Acheminez les tuyaux d'aspiration et de liquide depuis les raccords du serpentin intérieur jusqu'aux raccords de l'unité extérieure. Acheminez les tuyaux selon une trajectoire directe, en évitant les virages et les courbes inutiles.
 2. Assurez-vous que le tuyau d'aspiration est isolé sur toute sa longueur exposée et qu'il n'est pas, ainsi que le tuyau de liquide, en contact direct avec des planchers, des murs, des conduits, des solives de plancher ou une autre tuyauterie.
 3. Connectez les tuyaux d'aspiration et de liquide sur le serpentin de l'évaporateur.
 4. Pour prévenir les dommages, retirez l'ampoule sensible TXV lorsque vous brasez. Déplacez les passe-fils en caoutchouc à l'écart de la chaleur pour éviter qu'ils fondent.
 5. Brasez avec un alliage d'argent ou de cuivre et du phosphore à un point de fusion au-dessus de 1100 °F. REMARQUE : N'utilisez pas une brasure tendre.
 6. Réinstallez l'ampoule sensible TXV et les passe-fils en caoutchouc une fois la brasure terminée.
 7. Assurez-vous que l'unité de climatisation extérieure a été mise en place conformément aux instructions d'installation et qu'elle est connectée aux tuyaux de réfrigérant.

Pendant le brasage, purgez le système avec de l'azote afin de prévenir la contamination. Le fabricant recommande de remettre en place et isoler l'ampoule sensible TXV aux positions d'horloge 10 ou 2 heures sur le tuyau d'aspiration, à l'extérieur du logement du serpentin, à pas plus de un (1) pied (31 cm) de la connexion. Évacuez le système à 500 microns pour obtenir de l'air adéquat et retirer l'humidité. (Remarque : La méthode d'évacuation profonde ou triple est recommandée). Ouvrez le robinet d'aspiration de service lentement et laissez le réfrigérant s'écouler dans le système avant d'ouvrir le robinet de liquide de service.

Instructions d'installation

Installation du dispositif d'évacuation du condensat

Des raccords de tuyaux d'évacuation du condensat 3/4 po NPT sont fournis avec l'unité de traitement d'air.

Un plateau à condensat secondaire, construit sur le site, avec tuyau d'évacuation vers l'extérieur du bâtiment est nécessaire dans toutes les installations situées au-dessus d'un espace habité ou toute zone qui risque d'être endommagée par le débordement du plateau à condensat principal. Dans certaines régions, les codes locaux exigent un plateau à condensat secondaire pour toute installation horizontale. Le plateau à condensat secondaire doit avoir une superficie plus grande que celle de l'unité de traitement d'air.

1. Enlevez les débouchures de panneau appropriées pour l'évacuation. Voyez la section Connexions au plateau à condensat. Il se peut que vous deviez retirer l'assemblage de serpentin intérieur de la carrosserie.
2. Déterminez le raccord d'évacuation à utiliser et notez les différences entre les orifices primaires (vert) et secondaires (rouge). Des bouchons d'orifices d'évacuation sont fournis pour tous les orifices; retirez et jetez les bouchons appropriés à l'aide d'une clé à cliquet 1/2 po et vérifiez que les bouchons restants sont étanches (2,5 pi-lb). Fixez la conduite de vidange au bac avec des raccords en PVC à filetage mâle de 3/4". Le serrage manuel est adéquat - ne serrez pas trop et ne réduisez pas la taille de la ligne
3. Les raccords d'évacuation secondaires doivent être connectés à un système d'évacuation séparé. Acheminez cette évacuation à un endroit conforme aux codes d'installation locaux là où il y aura une évacuation secondaire qui indique une évacuation primaire bouchée.
4. Installez un siphon de 2 po dans le tuyau d'évacuation primaire aussi près de l'unité qu'il est pratique. Assurez-vous que le haut du siphon est en dessous de la connexion au plateau à condensat pour permettre l'évacuation complète du plateau.

REMARQUE : Les parcours horizontaux doivent aussi comporter un évent antisiphonnage (colonne) installé en amont du parcours horizontal. Un parcours horizontal très long peut nécessiter un tuyau d'évacuation de plus grande taille afin d'éliminer le trappage de l'air.

REMARQUE : Ne faites pas fonctionner l'unité de traitement d'air sans un siphon. L'évacuation du condensat est du côté à pression négative du ventilateur, à cet effet, l'air peut être attiré vers le tuyau de condensat et empêchera la vidange positive sans purgeur adéquat.

5. Acheminez le tuyaux d'évacuation vers l'extérieur ou un drain approprié. Il faut installer les tuyaux d'évacuation de façon qu'ils n'obstruent pas l'accès au devant de l'unité de traitement d'air. Un dégagement de 24 po est nécessaire pour le retrait du filtre, du serpentin ou du ventilateur et l'accès de service.

REMARQUE : Vérifiez les codes locaux avant de connecter le tuyau d'évacuation à un système d'évacuation existant.

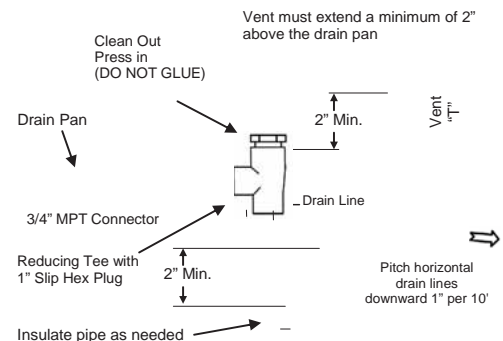
6. Isolez les tuyaux d'évacuation là où le suintement peut causer des dommages par l'eau.

Une fois l'installation terminée, il est de la responsabilité de l'installateur de s'assurer que le ou les plateaux à condensat recueillent tout le condensat, et que celui-ci s'évacue correctement sans s'introduire dans les conduits ou le système.

Installation du dispositif d'évacuation du condensat (suite)

1. Versez plusieurs litres d'eau dans le plateau à condensat, suffisamment pour remplir le siphon et le tuyau.
2. Assurez-vous que le plateau à condensat s'évacue complètement, qu'il n'y a aucune fuite aux raccords du tuyau d'évacuation et que l'eau s'évacue de l'extrémité jusqu'au plateau à condensat primaire.
3. Corrigez toute fuite observée.

Drain Line and Vent Tee



Instructions d'installation

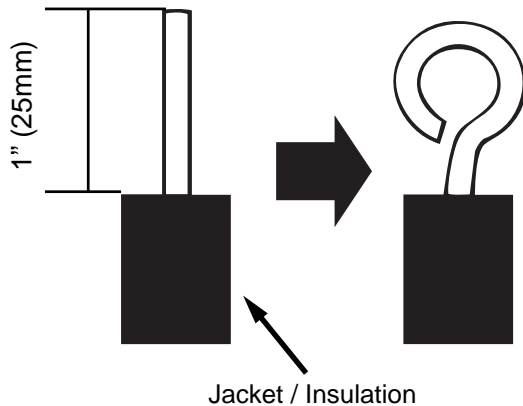
Exigences électriques

Modèle	Alimentation	Calibre de disjoncteur recommandé (A)
UUY24ZGDA* UUY36ZGDA* UUY48ZGDA* UUY60ZGDA*	208/230V-1Ph-60Hz	15

Câblage de commande à câblage électrique

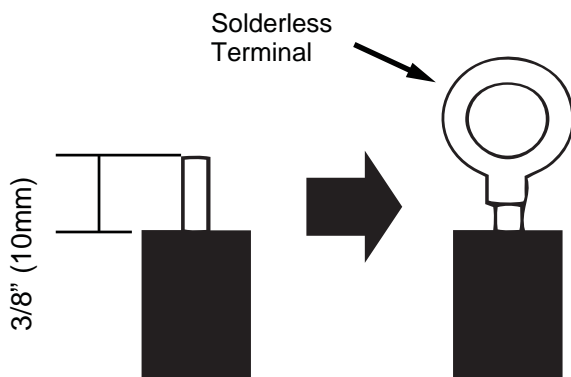
Utilisation d'un câble en cuivre à âme solide, calibre 18

1. Coupez l'isolant à rebours sur 1 po depuis l'extrémité du câble.
2. Retirez la vis du bornier et enroulez le câble autour de la vis.
3. Connectez la vis et le câble sur le bornier et serrez fermement.



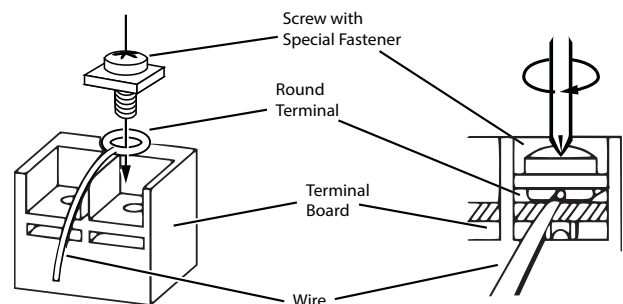
Fil torsadé

1. Coupez l'isolant à rebours sur 3/8 po depuis l'extrémité du câble.
2. Assurez-vous que le connecteur de borne rond ou fourchu est calibré pour l'ampérage de l'unité installée.
3. Utilisez un outil de sertissage seulement pour attacher le connecteur sur le câble.
4. Connectez la vis et le connecteur sur le bornier et serrez fermement.



Connexions du câblage

1. Les câbles de haute et basse tension doivent être acheminés à travers différents anneaux en caoutchouc du couvercle de la boîte électrique.
2. Maintenez autant de distance que possible entre les câblages d'alimentation et de commande.
3. Les câbles de haute et basse tension doivent être fixés séparément. Fixez ceux de haute tension à l'aide de grandes brides et ceux de basse tension à l'aide de petites brides.
4. Utilisez des vis pour serrer les câbles de haute et basse tension sur le bornier. Une connexion incorrecte peut poser un risque d'incendie.
5. Mettez les unités à la terre en connectant le fil de terre.
6. Tout le câblage doit satisfaire les codes national et local.



Système de conduits

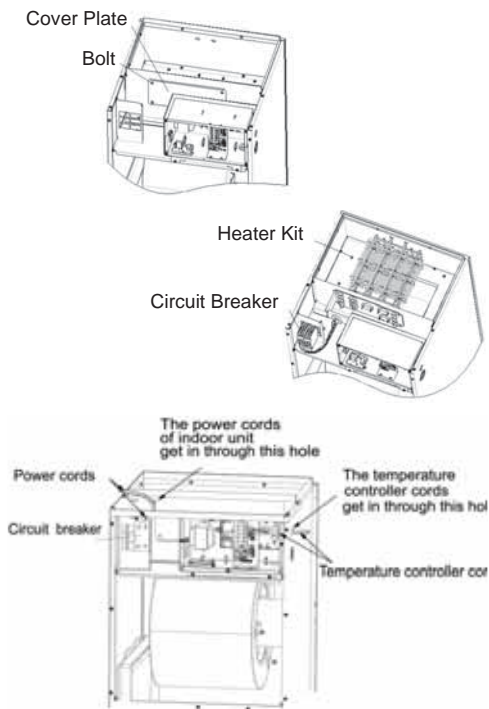
⚠ ATTENTION

1. Assurez-vous que l'alimentation électrique est déconnectée avant d'installer la trousse d'élément chauffant.
2. Un dispositif de réduction de tension et de protection du conducteur doit être fournie à l'entrée du câble d'alimentation dans la carrosserie.
3. Utilisez seulement des conducteurs en cuivre.
4. L'installation doit être conforme au code national de l'électricité et autres codes en vigueur.
5. Si l'unité est installée dans un endroit fermé, tel qu'un garage ou une pièce de service avec appareil générant du monoxyde de carbone, assurez-vous que l'endroit est ventilé correctement vers l'extérieur.

Instructions d'installation

Trousse d'élément chauffant

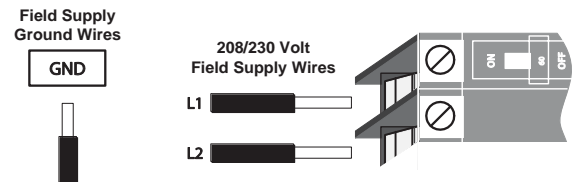
1. Reportez-vous au tableau pour la trousse d'élément chauffant qui convient.
2. Vérifiez que la trousse d'élément chauffant ne comporte aucun dommage physique; n'installez pas une trousse d'élément chauffant endommagée.
3. Retirez le panneau d'accès supérieur de l'unité de traitement d'air.
4. Retirez le couvercle de l'unité de traitement d'air.
5. Glissez l'élément chauffant dans la fente et reposez le couvercle avec les vis précédemment retirées.
6. Insérez les fils d'alimentation dans les cosses du disjoncteur ou sur les fils dénudés rouge et noir (pour la trousse d'élément chauffant sans disjoncteur) et serrez.
7. Connectez le fil de terre à la cosse de mise à la terre.
8. Frappez la zone appropriée du couvercle en plastique du disjoncteur sur le panneau d'accès de la centrale de traitement d'air. Frappez les trous en fonction du nombre d'installation et de la position réelle des disjoncteurs. Si le disjoncteur n'est pas installé, ne pas percer les trous, sinon il peut y avoir un choc électrique.
9. Remplacez le panneau d'accès et vérifiez le fonctionnement.
10. Terminez le câblage d'alimentation et de commande.



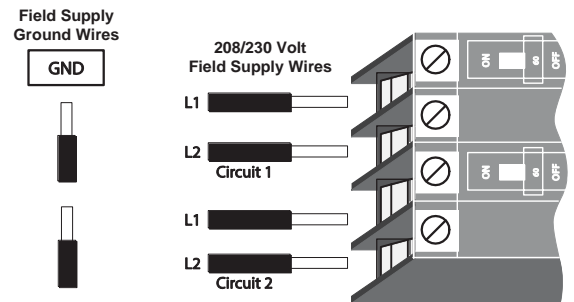
Seq.	Ensemble de chauffage	Description	Réf. à utiliser (tonne)
1	UAZEH05A	Chauffage de 5 kW avec disjoncteur de 30 A	2.0 / 3.0
2	UAZEH08A	Chauffage de 8 kW avec disjoncteur de 45 A	2.0 / 3.0
3	UAZEH10A	Chauffage de 10 kW avec disjoncteur de 60 A	2.0 / 3.0 / 4.0 / 5.0
4	UAZEH15A	Chauffage de 15 kW avec disjoncteurs de 30 et 60 A	3.0 / 4.0 / 5.0
5	UAZEH20A	Chauffage de 20 kW avec disjoncteurs de 60 et 60 A	4.0 / 5.0

Connexions électriques

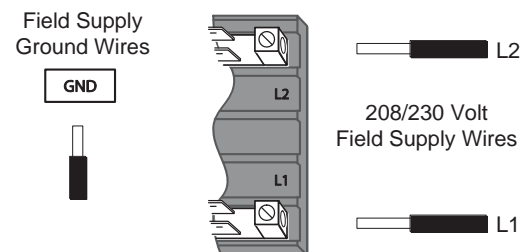
Connect to 5/810kw heater Circuit Breaker Air Handler Supply Voltage Wire Connections



Connect to 15/20kw heater Circuit Breaker Air Handler Supply Voltage Wire Connections



Connect to Terminal Block Air Handler Supply Voltage Wire Connections



ATTENTION : S'il s'agit d'une nouvelle unité de traitement d'air et que le chauffage est installé pour la première fois, assurez-vous que les câbles L1 et L2 sont raccordés au disjoncteur de chauffage puis au fil de mise à la terre. Utilisez le bon calibre de fil, comme mentionné dans de manuel, pour les assemblages de chauffage. Si aucune installation d'ensemble de chauffage n'est nécessaire, veuillez effectuer le câblage vers le bornier.

Il est interdit d'utiliser l'appareil de chauffage à d'autres fins que celles recommandées. Pendant la période de dégivrage, si l'appareil de chauffage est installé sur le site, le ventilateur fonctionnera continuellement, sinon, il s'arrêtera.

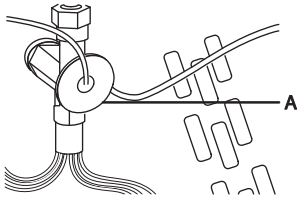
Instructions d'installation

Détendeur thermostatique (ang. TXV)

Détendeur thermostatique installé à l'usine Les ampoules sensibles sont installées à l'usine et fixées au tuyau d'aspiration. Pour obtenir une performance optimale, réinstallez et isolez le bulbe à la position de 10 h ou 2 h à l'extérieur du boîtier vers la conduite d'aspiration principale et à un pied (30 cm) maximum du raccord de la conduite d'aspiration après avoir terminé le brasage. Si nécessaire, on peut installer l'ampoule sur un tuyau d'aspiration vertical. Dans ce cas, l'ampoule doit être placée avant tout siphon, avec le tube capillaire de l'ampoule orienté vers le haut.

Il est très important d'isoler le bulbe à dilatation thermique après avoir réinstallé la conduite d'aspiration.

Thermal Expansion Valve (Letter A)

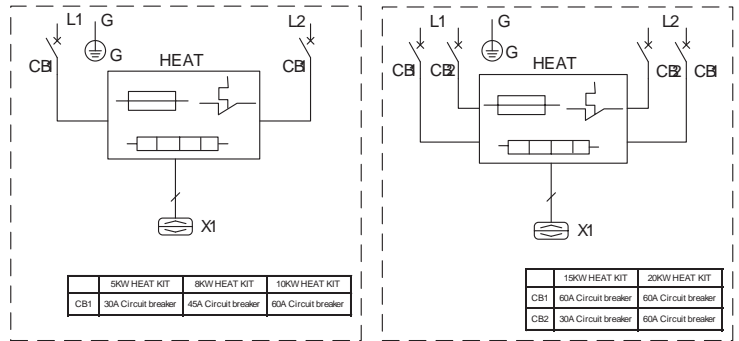
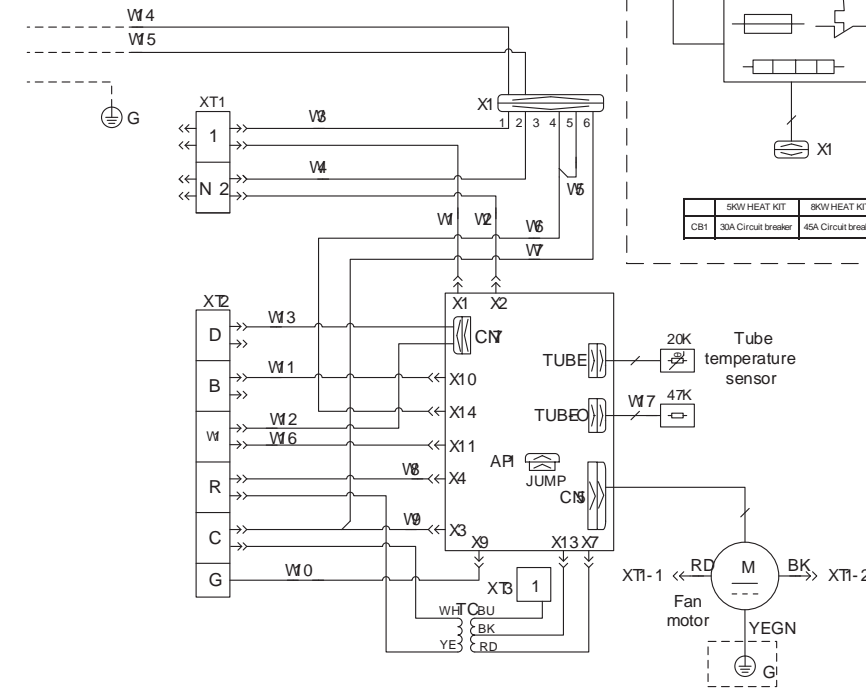


NOTE: Some models are equipped with thermo expansion valve and do not require any orifice change.

REMARQUE: Le serpentin livré chargé d'hélium. La bobine doit être évacuée si la valve TXV est changée.

Instructions d'installation

POWER



Code	Name
TC	Transformer
XT1~XT3	Wiring board
D	Defrosting signal
B	4-way valve control signal, energized under the heating mode
W1	Heater control signal
R	24V AC power supply
C	24V common
G	Indoor unit fan signal

Note:

- Please refer to the instruction manual to check whether the unit can connect to the engineering electric heating.
- When the unit doesn't connect to the engineering electric heating, connect the engineering power supply to the W14(BK) and W15(WH) of X1.
- When the unit connects to the engineering electric heating, connect the engineering power supply to the breaker.
- The primary input voltage of transformer is defaulted at 230V(BK). When switching the power supply of the complete unit to 208V, connect the primary input voltage of transformer to 208V(BU), which can be realized by exchanging the black wire and the blue wire.
- Only applicable for the unit whose motor is with earthing wire.
- As for wiring, please refer to the parameters before " / " of MCA and MOP of heat kit on the nameplate for CB1; please refer to parameters after " / " of MCA and MOP for CB2.



Instructions d'installation

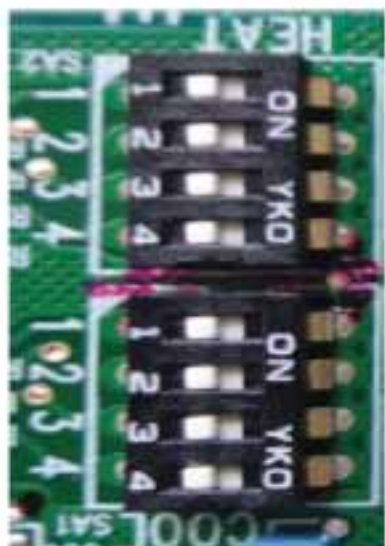
Instructions de réglage du débit d'air pour la série Connect

Les réglages de débit d'air de l'appareil de traitement d'air sont au niveau 4. Le débit d'air peut être réglé en utilisant les commutateurs DIP du tableau de commande de différentes vitesses selon la pression statique du système. Les paramètres de vitesses de ventilateur sont indiqués ci-dessous :

1. Les réglages des commutateurs DIP doivent être terminés avant la mise sous tension de l'unité.
2. Le commutateur DIP de débit d'air est encadré en rouge.



Tableau de contrôle



Instructions d'installation

Instructions de réglage du débit d'air pour la série Connect

Configuration des commutateurs DIP

Modèle	Niveau	Chauffage (SA2)				Climatisation (SA1)			
		OFF	ON	ON	ON	ON	ON	ON	ON
UUY24ZGDAB	Niveau 1	OFF	ON	ON	ON	ON	ON	ON	ON
	Niveau 2	OFF	ON	ON	OFF	ON	ON	ON	ON
	Niveau 3	OFF	ON	OFF	ON	ON	ON	ON	ON
	Niveau 4 - Défaut	OFF	ON	OFF	OFF	ON	ON	ON	ON
	Niveau 5	OFF	OFF	ON	ON	ON	ON	ON	ON
	Niveau 6	OFF	OFF	ON	OFF	ON	ON	ON	ON
	Niveau 7	OFF	OFF	OFF	ON	ON	ON	ON	ON
	Niveau 8	OFF	OFF	OFF	OFF	ON	ON	ON	ON
UUY36ZGDAB	Niveau 1	ON	ON	ON	ON	ON	ON	ON	ON
	Niveau 2	ON	ON	ON	OFF	ON	ON	ON	ON
	Niveau 3	ON	ON	OFF	ON	ON	ON	ON	ON
	Niveau 4 - Défaut	ON	ON	OFF	OFF	ON	ON	ON	ON
	Niveau 5	ON	OFF	ON	ON	ON	ON	ON	ON
	Niveau 6	ON	OFF	ON	OFF	ON	ON	ON	ON
	Niveau 7	ON	OFF	OFF	ON	ON	ON	ON	ON
	Niveau 8	ON	OFF	OFF	OFF	ON	ON	ON	ON
UUY48ZGDAB	Niveau 1	OFF	ON	ON	ON	ON	ON	ON	ON
	Niveau 2	OFF	ON	ON	OFF	ON	ON	ON	ON
	Niveau 3	OFF	ON	OFF	ON	ON	ON	ON	ON
	Niveau 4	OFF	ON	OFF	OFF	ON	ON	ON	ON
	Niveau 5	OFF	OFF	ON	ON	ON	ON	ON	ON
	Niveau 6 - Défaut	OFF	OFF	ON	OFF	ON	ON	ON	ON
	Niveau 7	OFF	OFF	OFF	ON	ON	ON	ON	ON
	Niveau 8	OFF	OFF	OFF	OFF	ON	ON	ON	ON
UUY60ZGDAB	Niveau 1	ON	ON	ON	ON	ON	ON	ON	ON
	Niveau 2	ON	ON	ON	OFF	ON	ON	ON	ON
	Niveau 3	ON	ON	OFF	ON	ON	ON	ON	ON
	Niveau 4	ON	ON	OFF	OFF	ON	ON	ON	ON
	Niveau 5	ON	OFF	ON	ON	ON	ON	ON	ON
	Niveau 6 - Défaut	ON	OFF	ON	OFF	ON	ON	ON	ON
	Niveau 7	ON	OFF	OFF	ON	ON	ON	ON	ON
	Niveau 8	ON	OFF	OFF	OFF	ON	ON	ON	ON

Instructions d'installation

Instructions de réglage du débit d'air pour la série Connect

Données de performance du ventilateur

Model	Static Pressure- Inches W.C.	0	0.1	0.15	0.2	0.3	0.4	0.5	0.6	0.7	0.8	0.9	1.0
UUY24ZGDAB	Niveau 1	1030	900	840	760								
	Niveau 2	1080	960	900	840	760							
	Niveau 3		1120	1060	990	850							
	Niveau 4 - Défaut			1240	1180	1070	960	800					
	Niveau 5				1390	1290	1180	1090	970	830			
	Niveau 6					1450	1360	1250	1130	960	800		
	Niveau 7						1460	1370	1270	1150	970	830	
	Niveau 8							1500	1410	1340	1200	1080	930
UUY36ZGDAB	Niveau 1	1150	1050	950	880								
	Niveau 2	1200	1100	1000	940	850							
	Niveau 3		1260	1200	1100	950	760						
	Niveau 4 - Défaut			1390	1310	1160	1080	1000					
	Niveau 5				1560	1480	1400	1310	1210	1080	930		
	Niveau 6					1640	1590	1500	1420	1330	1220	1100	960
	Niveau 7						1690	1620	1520	1440	1350	1250	1150
	Niveau 8							1660	1600	1540	1440	1320	1220
UUY48ZGDAB	Niveau 1	1640	1500	1450	1400								
	Niveau 2	1680	1560	1530	1470	1300							
	Niveau 3		1690	1620	1550	1380							
	Niveau 4			1770	1710	1580	1430	1300					
	Niveau 5				1980	1860	1720	1620	1490	1380			
	Niveau 6 - Défaut					2010	1870	1750	1615	1500	1380		
	Niveau 7						2080	2000	1880	1750	1600	1420	
	Niveau 8							2040	1980	1930	1800	1700	1550
UUY60ZGDAB	Niveau 1	1660	1540	1470	1400								
	Niveau 2	1850	1720	1650	1600	1400							
	Niveau 3		1800	1730	1650	1480	1315						
	Niveau 4			1950	1860	1760	1640	1500	1325				
	Niveau 5				2140	2040	1930	1800	1670	1520	1370		
	Niveau 6- Défaut					2090	2010	1910	1760	1650	1550	1430	1380
	Niveau 7						2115	2050	1990	1920	1840	1750	1660
	Niveau 8							2080	2040	2000	1950	1920	1890

Instructions d'installation

Vérification finale

Mise à l'essai du système

Veillez expliquer au client comment piloter le système à l'aide du manuel d'utilisation qui accompagne l'unité intérieure.

Explication du fonctionnement à l'utilisateur final

- À l'aide du manuel de l'utilisateur, expliquez à ce dernier comment utiliser le climatiseur/thermopompe (la télécommande, l'ajout/le retrait des filtres à air, le placement ou le retrait de la télécommande de son support, les méthodes de nettoyage, les précautions relatives au fonctionnement, etc.).
- Révissez les précautions relatives au fonctionnement.
- Recommandez à l'utilisateur de lire attentivement les instructions d'utilisation.

Point à vérifier pour l'application du test

- Aucune fuite de gaz dans la tuyauterie?
- La tuyauterie est-elle isolée correctement?
- Le câblage de connexion des unités intérieure et extérieure est-il solidement inséré dans le bornier?
- Le câblage de connexion des unités intérieure et extérieure est-il bien attaché?
- Le condensat est-il évacué correctement?
- Le fil de terre est-il connecté solidement? - L'unité intérieure est-elle fixée solidement?
- La tension de l'alimentation est-elle conforme au code de l'électricité local?
- Un bruit étrange se fait-il entendre?
- La température de refroidissement se situe-t-elle entre 20 et 30 °F
- L'affichage de la température ambiante est-il précis?

Dépannage

Problème	Causes possibles	Solution
Impossible de mettre l'unité en marche.	L'unité n'est pas connectée à une source d'alimentation.	Connectez à une alimentation électrique.
	Faible tension.	Vérifiez si la tension du circuit est dans les limites spécifiées.
	Le fusible est grillé ou le disjoncteur est déclenché.	Remplacez le fusible ou réenclenchez le disjoncteur.
L'unité fonctionne mais s'arrête immédiatement.	L'entrée/la sortie de l'unité intérieure est obstruée.	Retirez les obstacles.
Refroidissement ou chauffage anormal.	L'entrée/la sortie de l'unité intérieure est obstruée.	Retirez les obstacles.
	Réglage de température incorrect.	Ajustez le réglage à la commande câblée.
	Des portes ou des fenêtres sont ouvertes.	Fermez les portes ou les fenêtres.
	Rayons directs du soleil.	Tirez le rideau ou fermez les stores.
	Trop de sources de chaleur dans la pièce.	Réduisez les sources de chaleur.
	Le tamis du filtre est obstrué par la saleté.	Nettoyez le filtre.
L'unité ne fonctionne pas.	Lorsque l'unité démarre, immédiatement après elle s'arrête.	L'interrupteur de protection contre la surcharge la fait fonctionner après un délai de 3 minutes.
	Lorsque l'unité est mise sous tension.	La mise en attente dure environ 1 minute.
Une brume émane de l'unité.	En mode refroidissement.	L'air intérieur à humidité élevée est refroidit rapidement.
L'unité fait du bruit.	Un léger son de craquement se fait entendre juste après la mise en marche.	Ce son provient de l'initialisation du détendeur thermostatique.
	Un son consécutif est émit lors du refroidissement.	C'est le son du gaz réfrigérant qui circule dans l'unité.
	Un son est émit lorsque l'unité démarre ou s'arrête.	C'est le son du gaz réfrigérant qui s'arrête de circuler.
	Un léger son consécutif est émit lorsque l'unité fonctionne ou après qu'elle a fonctionné.	C'est le système d'évacuation du condensat qui fonctionne.
L'unité souffle de la poussière.	Lorsque l'unité fonctionne après une longue période d'inutilisation.	La poussière dans l'unité intérieure est soufflée à l'extérieur.
L'unité émet une odeur anormale.	En fonctionnement.	L'odeur de la pièce est absorbée par l'unité et rejetée de nouveau.
L'unité intérieure fonctionne encore après l'avoir éteinte.	Après la réception du signal « arrêt » par l'unité intérieure, le ventilateur continuera de fonctionner.	Le ventilateur intérieur peut être réglé en mode ON (marche) ou AUTO (automatique). En mode ON, le ventilateur intérieur continue de fonctionner après la mise à l'arrêt de l'unité.

Instructions d'installation

Des témoins DEL à l'intérieur du panneau principal de l'appareil sont utilisés pour afficher l'état de fonctionnement et les renseignements de mauvais fonctionnement de l'appareil.

Témoin DEL	Couleur	Fonction
Indicateur d'alimentation	Rouge	Le panneau principal à l'intérieur de l'appareil est sous tension et le témoin d'alimentation est allumé.
Indicateur de fonctionnement	Vert	Après la détection du signal d'alimentation du ventilateur intérieur, le témoin de fonctionnement est allumé, lorsque le signal d'arrêt du ventilateur intérieur, le témoin d'alimentation est allumé. Le témoin d'alimentation clignote lors de la détection d'un mauvais fonctionnement du système.

Différents témoins d'alimentation qui clignotent indiquent une panne différente du système.

Mauvais fonctionnement	Témoin d'état de fonctionnement	Remarque
Défectuosité du capuchon de cavalier interne	Témoin éteint 3 sec, 1 clignotement	Un clignotement signifie que le témoin est allumé pendant 0,5 sec puis s'éteint pendant 0,5 sec
Défectuosité du ventilateur interne	Témoin éteint 3 sec, 2 clignotements	
Défectuosité du tube du capteur de température interne	Témoin éteint 3 sec, 4 clignotements	

Garantie limitée

Pour les modèles de produit listés sur l'annexe 1 (le « Produit »), cette garantie limitée de bas standard est fournie au propriétaire d'origine du Produit:

Pour la période de :	GE Appliances remplacera:
Garantie limitée de 5 ans sur les pièces à compter de la date d'origine de l'achat	Cette garantie de base limitée standard couvre tous les défauts de fabrication et de matériaux pour les pièces mécaniques et électriques (y compris le compresseur) contenues dans le Produit (« Pièces défectueuses ») pendant une période de 5 ans à compter de la date d'achat. GE Appliances fournira des pièces neuves ou remises à neuf, ou un remplacement pour toute l'unité, ou une partie de celle-ci, à sa discrétion exclusive, à votre installateur technicien en CVC accrédité. Cette garantie couvre aussi tous les défauts de fabrication ou de matériaux pour la télécommande de l'unité pendant une période d'un an. La télécommande est protégée par une garantie d'un an sur les accessoires. Le système sans conduits est couvert par une garantie limitée de base standard. GE Appliances fournira une télécommande neuve ou remise à neuf, à sa discrétion exclusive.

QUELLE EST LA DATE D'ACHAT :

La « Date d'achat » est la date à laquelle l'installation d'origine a été complétée et toutes les procédures de mise en service du Produit ont été correctement exécutées et vérifiées d'après la facture de l'installateur. Il est fortement recommandé de remplir l'enregistrement. Si la date de l'installation ne peut pas être vérifiée, alors la Date d'achat tombera soixante (60) jours suivant la date de fabrication, telle que déterminée par le numéro de série du Produit. Vous devez conserver et être en mesure de fournir votre ticket de caisse d'origine de l'installateur comme preuve de la Date d'achat. Pour une nouvelle construction, la date d'achat sera la date d'achat de la résidence par le propriétaire du bâtiment.

QUI EST COUVERT :

Occupé par le propriétaire : le « Propriétaire d'origine » de ce produit signifie que propriétaire initial (et/ou son conjoint(e)) de la résidence où le Produit a été installé à l'origine. Non occupé par le propriétaire : le « Propriétaire d'origine » du Produit signifie le propriétaire initial du bâtiment où le Produit a été installé à l'origine, et pour une nouvelle construction, l'acheteur du bâtiment auprès du développeur. « Non occupé par le propriétaire » est défini comme a) un bâtiment résidentiel individuel ou collectif non occupé par le propriétaire, ou b) une application commerciale non industrielle, comme des immeubles à bureaux, des établissements de commerce de détail, des hôtels/motels), mais pour les Propriétaires d'origine qui n'occupent pas le bâtiment, cette garantie limitée nécessite que le produit soit installé et entretenu sur une base annuelle par un technicien en CVC accrédité (une preuve d'entretien annuel est requise). Sous réserve de la loi de l'État ou de la province où le Produit est installé, le reste de cette garantie de base standard est transférable aux propriétaires subséquents de la résidence ou du bâtiment.

COMMENT OBTENIR UN SERVICE D'INSTALLATION OU DE RÉPARATION :

Communiquez avec votre technicien-installateur en chauffage, ventilation et climatisation agréé. Tous les services d'installation et de réparation doivent être réalisés par un technicien en chauffage, ventilation et climatisation agréé.

L'omission de recourir à un technicien en chauffage, ventilation et climatisation agréé pour l'installation de ce Produit annule toute garantie sur ce Produit.

ESTA GARANTÍA NO CUBRE

- Les dommages résultant d'une réparation, d'un entretien ou d'une installation incorrectes.
- Les dommages survenus pendant l'expédition.
- Les défauts qui ne sont pas attribuables au fabricant (c.-à-d. autres que les vices de matière et de main-d'œuvre).
- Les dommages résultant d'un mauvais usage, d'un abus, d'un accident, d'une modification, d'un manque de soins appropriés et/ou d'un entretien régulier, ou d'un courant électrique incorrect.
- Les dommages résultant d'une inondation, d'un incendie, du vent, de la foudre, d'un accident ou de conditions similaires.
- Un Produit qui n'a pas été installé ou réparé par un technicien agréé en chauffage, ventilation et climatisation.
- La main-d'œuvre et les services connexes pour la réparation ou l'installation du Produit.
- Un Produit acheté auprès d'un revendeur en ligne non autorisé.
- Les dommages résultant de l'exposition du Produit à une atmosphère qui comporte des substances corrosives ou des niveaux élevés de particules (telles que suie, aérosols, vapeurs, graisse).
- Un Produit vendu et/ou installé à l'extérieur des cinquante (50) États des États-Unis, du district de Columbia ou du Canada.
- Les piles du contrôleur et des autres accessoires fournis avec le Produit pour l'installation (p.ex. flexible en plastique).
- L'entretien normal tel que le nettoyage des serpentins et des filtres et la lubrification.
- Un Produit installé dans un immeuble occupé par de(s) non propriétaire(s) s'il n'a pas fait l'objet d'un entretien annuel par un technicien en chauffage, ventilation et climatisation agréé (preuve requise).
- Les dommages résultant de l'utilisation d'un composant ou d'une pièce usagés ou non approuvés par GE Appliances, a Haier company (p.ex. un condenseur ou une unité de traitement d'air usagés et/ou non approuvés).
- Des composants ou des pièces non fournis par GE Appliances, a Haier Company
- Un produit qui a été déplacé de son installation d'origine vers une nouvelle résidence ou un nouveau bâtiment.

Garantie limitée

GARANTIE LIMITÉE ENREGISTRÉE STANDARD DE 10 ANS

Tous les « Produits intérieurs et extérieurs », identifiés dans l'annexe 1, enregistrés par l'installateur ou le Propriétaire d'origine dans les 60 jours suivant la date d'achat reçoivent une garantie limitée enregistrée standard qui est identique à la garantie de base standard, sauf que la garantie limitée sur les pièces est d'une durée de 10 ans. Tous les produits qui ne sont pas enregistrés dans les 60 jours suivant la date d'achat sont assujettis à une garantie de base standard. Certains États et certaines provinces ne permettent pas des conditions de garantie soumises à un enregistrement; dans ces États et provinces, la durée la plus longue s'applique pour la garantie limitée sur les pièces. Sauf au Texas ou aux endroits où la loi l'exige, cette garantie limitée enregistrée standard n'est pas transférable à un acheteur subséquent (autre que l'acheteur d'un nouveau bâtiment), mais les achats subséquents recevront le reste de la garantie de base standard

CETTE GARANTIE LIMITÉE SE SUBSTITUE À TOUTE AUTRE GARANTIE, EXPRESSE OU IMPLICITE, Y COMPRIS TOUTE GARANTIE RELATIVE À LA QUALITÉ MARCHANDE OU L'ADÉQUATION À UN USAGE PARTICULIER.

Le recours autorisé dans cette garantie est exclusif et il est accordé en remplacement de tout autre recours. Cette garantie ne couvre pas les dommages accessoires ou indirects. Certains États ou provinces ne permettent pas l'exclusion des dommages accessoires ou indirects, donc cette limitation peut ne pas s'appliquer à vous. Certaines États ou provinces ne permettent pas de limiter la durée d'une garantie implicite, donc cette limitation peut ne pas s'appliquer à vous. Cette garantie vous accorde des droits particuliers et il peut exister d'autres droits qui varient selon l'État ou la province. Cette garantie couvre les appareils dans les cinquante (50) États des États-Unis, du district de Columbia ou du Canada Cette garantie est attribuée par GE Appliances a Haier company, Louisville, KY 40225.

ANNEXE 1

Le « Produit » est défini comme des unités à décharge latérale et des unités divisées sans conduits de la marque Haier et GE Appliances. Le « Produit » contient 2 sous-catégories de produits : les « Produits intérieurs et extérieurs » et les « Produits d'installation sélectionnés, » qui sont définis de façon plus explicite ci-dessous : les « Produits intérieurs et extérieurs » peuvent être identifiés de façon plus précise par les descriptions de numéro de modèle suivantes : 1U*, 2U*, 3U*, 4U*, 5U*, AB*, AD*, AL*, AM*, AW*, AF*, ASY*, USY*, ASH*, AUH*, UUC*, UUY*; et les « Produits d'installation sélectionnés » sont identifiés par les descriptions de numéro de modèle suivantes : PB-*, PAD-*.

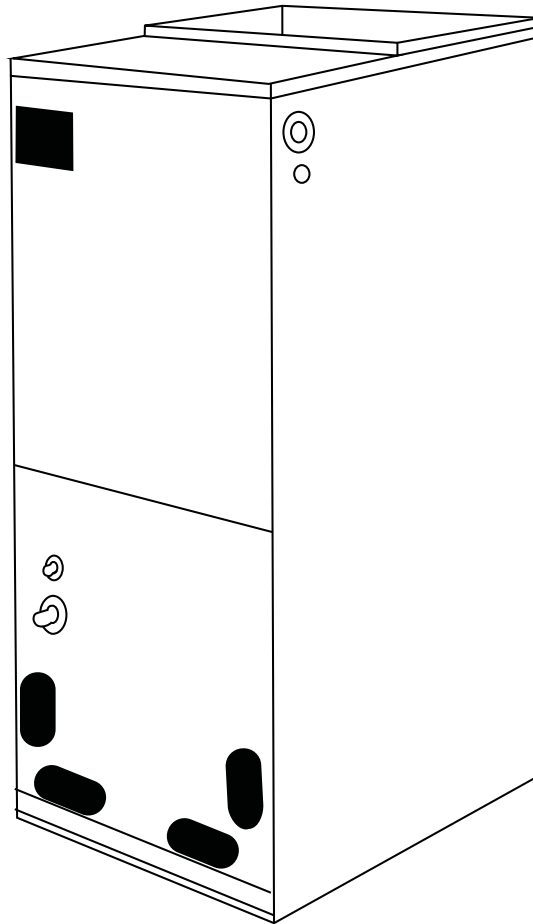
Agrafez votre reçu ici. Une preuve de la date d'achat originale est nécessaire pour obtenir un service sous garantie



GE APPLIANCES

INSTRUCCIONES DE INSTALACIÓN

Climatizador



El fabricante recomienda instalar un sistema de interior y exterior combinado homologado por AHRI. La instalación de un sistema homologado para interiores y exteriores proporcionará una eficiencia óptima y la mejor confiabilidad general del sistema.

**LEA Y GUARDE ESTAS
INSTRUCCIONES**

31-5000710 Rev. 3 11-23

Mantenimiento De Registros

Gracias por adquirir este producto de GE Appliances. Este manual del propietario le ayudará a lograr el mejor rendimiento de su nuevo acondicionador de aire.

Para referencia futura, registre el modelo y número de serie ubicados en la etiqueta que se encuentra al costado de su acondicionador de aire, y la fecha de compra.

Abroche su comprobante de compra a este manual, como ayuda para acceder al servicio de la garantía de ser necesario.

Número de modelo

Número de serie

Fecha de compra

Para registrar su Nuevo Sistema sin Conducto de GE Appliances visite **GEAppliances.com/register** e ingrese la información del número de modelo/ serie en esta página. Para acceder a la garantía del compresor y de las piezas por 10 años, es necesario realizar un registro dentro de los 60 días desde el momento de la instalación.



Este manual contiene instrucciones de instalación para unidades internas en paredes altas. Cuando se use la serie FlexFit con unidades internas con otros estilos, consulte el Manual del Propietario suministrado con la unidad interna para acceder a las instrucciones de instalación.

INFORMACIÓN IMPORTANTE DE SEGURIDAD

LEA Y GUARDE ESTAS INSTRUCCIONES

⚠ ADVERTENCIA

Para su seguridad, siga las instrucciones de este manual a fin de minimizar riesgos de incendio, descargas eléctricas o lesiones personales.

- Use este equipo sólo para su propósito original, como se describe en el Manual del Usuario.
- Este acondicionador de aire deberá ser instalado de forma apropiada de acuerdo con las Instrucciones de Instalación antes de su uso.
- Todo el cableado deberá ser adecuado al valor de la corriente que figura en la placa de calificación. Use cables de cobre únicamente.
- Todo el trabajo eléctrico deberá ser completado por un electricista calificado y de acuerdo con los códigos de construcción locales y nacionales.
- Todo el servicio técnico deberá ser realizado por un individuo calificado.

Las regulaciones federales requieren que un técnico posea una certificación Clase II o Universal para realizar cualquier trabajo sobre un sistema de refrigeración sellado.

- Todos los acondicionadores de aire contienen refrigerantes, los cuales de acuerdo con la ley federal deben ser retirados antes de deshacerse del producto. Si se deshará de un producto viejo que posee refrigerantes, consulte a la compañía a cargo del manejo de productos descartados.
- Estos sistemas de acondicionadores de aire R-410A requieren que los contratistas y técnicos usen herramientas, equipos y estándares de seguridad aprobados para su uso con este refrigerante. NO use equipamiento certificado sólo para el refrigerante R22.

⚠ ADVERTENCIA

RIESGO DE DESCARGA ELÉCTRICA. Puede ocasionar lesiones o la muerte.

- La conexión a tierra es esencial antes de realizar la conexión al suministro de corriente.
- Desconecte todos los suministros de corriente eléctrica remotos antes de realizar el servicio técnico.
- Repare o reemplace de inmediato todos los cables de corriente pelados o con cualquier tipo de daño. No use cables que presenten cortaduras o daños por abrasión sobre su extensión o extremos.

⚠ ADVERTENCIA

RIESGO DE INCENDIO. Puede ocasionar lesiones o la muerte.

- No guarde ni use materiales combustibles, gasolina u otros vapores inflamables y líquidos cerca de éste o de otros electrodomésticos.

⚠ ADVERTENCIA

Este electrodoméstico no deberá ser usado por personas (incluyendo niños) con capacidades físicas, sensoriales o mentales reducidas o con falta de experiencia y conocimiento, a menos que cuenten con supervisión o instrucción con relación al uso de este electrodoméstico por parte de una persona responsable de su seguridad. Los niños deberán ser supervisados a fin de asegurar que no se juegue con el electrodoméstico.

Para fin de evitar el riesgo de sofocación, mantenga la bolsa plástica o la película delgada usada como material de embalaje alejada de los niños pequeños.

Asegúrese de no permitir el ingreso de materiales ajenos (aceite, agua, etc.) a la tubería del refrigerante. Selle todos los extremos de la tubería del refrigerante antes de guardarla.

Con propósitos de instalación, asegúrese de usar las piezas suministradas por el fabricante u otras piezas indicadas. El uso de piezas no indicadas podrá ocasionar accidentes graves tales como fallas de la unidad, pérdidas de agua, descargas eléctricas, o incendios.

El suministro de corriente de este producto es de 208/230 VAC/60hz/1PH. Verifique que el voltaje se encuentre en un rango de entre 187~253 antes de encender el equipo.

El suministro de corriente a la bomba de calor deberá ser desde un circuito dedicado que cumpla con los requisitos de capacidad del circuito de empalmes.

Use un disyuntor con circuito de empalmes especial y un receptáculo que coincida con la capacidad del circuito de corriente de la bomba de calor. (Realice la instalación de acuerdo con los estándares técnicos locales para equipos eléctricos)

Cuando la calefacción eléctrica esté activada, el ventilador del climatizador deberá estar encendido..

INFORMACIÓN IMPORTANTE DE SEGURIDAD

LEA Y GUARDE ESTAS INSTRUCCIONES

⚠ PRECAUCIÓN

Se recomienda encarecidamente que no abra ni cierre las válvulas de cierre cuando la temperatura exterior sea inferior a -5 ° F (-21 ° C), ya que esto puede causar fugas de refrigerante.

Asegúrese de que el encendido esté activado durante por lo menos 12 horas luego de períodos donde haya estado apagado en un ambiente de 32 ° F (0° C) o menos.

No toque las aletas de la bobina. Tocar las aletas de la bobina podrá producir daños sobre las aletas o lesiones personales tales como rupturas de la piel.

Asegúrese de que la capacidad del circuito eléctrico sea la adecuada para todas las cargas conectadas al panel del servicio eléctrico. Si las cargas eléctricas totales superan la capacidad de la fuente de alimentación, incrementa el conductor y la capacidad del panel.

En caso de que la corriente provista esté por debajo de los requisitos de la etiqueta de especificaciones técnicas del equipo, comuníquese con la compañía eléctrica.

Asegúrese de instalar un disyuntor de la capacidad especificada.

Consulte los requisitos locales en relación al tipo y clase de disyuntor, al cableado de corriente y el cable de control.

La regulación de cables y disyuntores difiere de acuerdo a cada localidad; consulte en relación a las reglas locales.

No use las tuberías de refrigerante existentes.

Use una tubería de refrigerante que esté limpia y libre de cualquier tipo de contaminación que pueda generar daños sobre el sistema, incluyendo azufre, óxido de cobre, polvo, astillas metálicas, polvo, aceite o agua

Evite colocar tuberías soldadas juntas. Use una tubería de cobre de longitud continua, ya que los óxidos formados a través de técnicas de soldadura inadecuadas podrán dañar el equipo.

No use tuberías de cobre que posean una parte colapsada, deformada o descolorida (especialmente en la superficie interior). De otro modo, la válvula de expansión o la tubería capilar se podrán bloquear con contaminantes.

El uso de una tubería de tamaño inadecuado reducirá el rendimiento. La presión máxima de R410A es muy superior a R22. Use una tubería de cobre con el grosor de pared adecuado

A fin de evitar la rotura de la tubería, evite realizar curvaturas pronunciadas. Curve la tubería generando un radio de curvatura de 4 pulg. (100mm) o más.

Si la tubería es curvada de forma repetida en el mismo lugar, la misma se romperá.

LEA Y GUARDE ESTAS INSTRUCCIONES

PARA ACCEDER A MÁS AYUDA, VISITE GEAPPLIANCES.COM O LLAME A LA LÍNEA DE AYUDA AL CONSUMIDOR AL 877-337-3639.

ANTES DE COMENZAR

Lea estas instrucciones en su totalidad y atentamente.

IMPORTANTE — Conserve estas instrucciones para uso del inspector local.

IMPORTANTE — Cumpla con todos los códigos y ordenanzas gubernamentales.

- **Nota para el Instalador** — Asegúrese de que el Comprador conserve estas instrucciones.
- **Nota para el Comprador** — Conserve estas instrucciones para referencia futura.
- **Nivel de habilidad** — La instalación de este sistema de acondicionador de aire split deberá ser realizada por un técnico licenciado y certificado (para manejar refrigerante R-410A, recuperación, etc.) y por un electricista.
- La correcta instalación del producto es responsabilidad del instalador.
- Si se producen fallas en el producto debido a una instalación inadecuada, la Garantía no cubrirá las mismas.
- Para su seguridad personal, este sistema deberá estar correctamente conectado a tierra.
- Los dispositivos de protección (fusibles o disyuntores) aceptables para la instalación aparecen especificados en la placa de cada unidad.
- Para cualquier reparación que requiera el ingreso al sistema de refrigeración sellada, las regulaciones federales solicitan que el trabajo sea realizado por un técnico que posea una certificación Clase II o Universal.

⚠ PRECAUCIÓN

- Los cables eléctricos de aluminio pueden presentar problemas especiales – consulte a un electricista calificado.
- Los cables para construcciones de aluminio pueden presentar problemas especiales – consulte a un electricista calificado.

Información General

Es responsabilidad del instalador asegurar que todos los aspectos de la instalación de este producto se adhieran a los códigos nacional, estatal y local.

No es posible tratar en este manual cada diferencia posible de sistema o anomalía en el sitio de trabajo.

Si surgen preguntas, es obligación del instalador comunicarse con el distribuidor o proveedor de este producto para solicitar asistencia.

Para asegurar un funcionamiento adecuado, la caída de presión del sistema con conducto nunca deberá superar la capacidad de presión estática del soplador.

Sólo use y aplique componentes accesorios del calefactor que sean aprobados en este manual.

Todo el trabajo deberá ser realizado por personas entrenadas, experimentadas y con licencia en los campos mecánico y eléctrico.

El fabricante no será responsable por equipos con funcionamiento insatisfactorio debido a no seguir las instrucciones de este manual o las buenas prácticas de la industria.

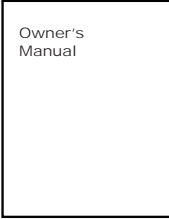
El fabricante tiene derecho a revisar este manual sin aviso previo.

1. Ninguna persona deberá utilizar, mantener o realizar el servicio técnico de este equipo a menos que esté adecuadamente entrenada por un profesional de la industria.
2. Desconecte la unidad del suministro de corriente si no será usada por un período de tiempo prolongado.
3. Asegúrese de haber seleccionado el modelo adecuado para la carga operativa. Una selección inadecuada podrá impactar sobre el funcionamiento operativo.
4. Por favor no desensamble la unidad si no cuenta con el entrenamiento adecuado. Este equipamiento pasó una estricta inspección y control operativo en fábrica.
5. Para solicitar asistencia técnica, por favor comuníquese con el soporte técnico de GE Appliances.

6. Si el producto funciona mal y/o no funciona, por favor comuníquese con el soporte técnico de GE Appliances. Brinde la siguiente información:

- a. Datos de la placa de especificaciones técnicas del producto (número de modelo, capacidad de refrigeración/ calefacción, número de serie del producto, fecha de fabricación)
 - b. Motivo del mal funcionamiento (especificar las circunstancias antes y después de que el error se produjo)
7. Todas las ilustraciones e información del manual de instrucciones son como referencia únicamente. Mantenemos nuestro derecho a realizar revisiones necesarias del producto cada cierto tiempo.
8. GE Appliances no asume ninguna responsabilidad sobre lesiones personales, pérdida de la propiedad o daños sobre el equipamiento ocasionados por instalaciones y puestas en funcionamiento inadecuadas, mantenimiento innecesario, o no cumplir con regulaciones federales y estatales relevantes, estándares de la industria, y los requisitos de este manual de instrucciones.
9. GE Appliances no será responsable por lesiones personales o daños sobre la propiedad ocasionados por lo siguiente:
- a. Uso inadecuado del electrodoméstico
 - b. Alterar, mantener o utilizar el producto con equipamiento no aprobado.
 - c. Alterar, mantener o utilizar el producto fuera de las pautas que son indicadas en este manual.
 - d. Defectos ocasionados por gas corrosivo.
 - e. Defectos ocasionados por daños en el envío.
 - f. No cumplir con este manual de instrucciones o regulaciones gubernamentales.
 - g. Productos producidos por otros fabricantes.
 - h. Desastres naturales, ambiente de instalación inadecuado, o casos de fuerza mayor.

Accesorios

Pieza	Aspecto	Cantidad
Manual del Propietario		1

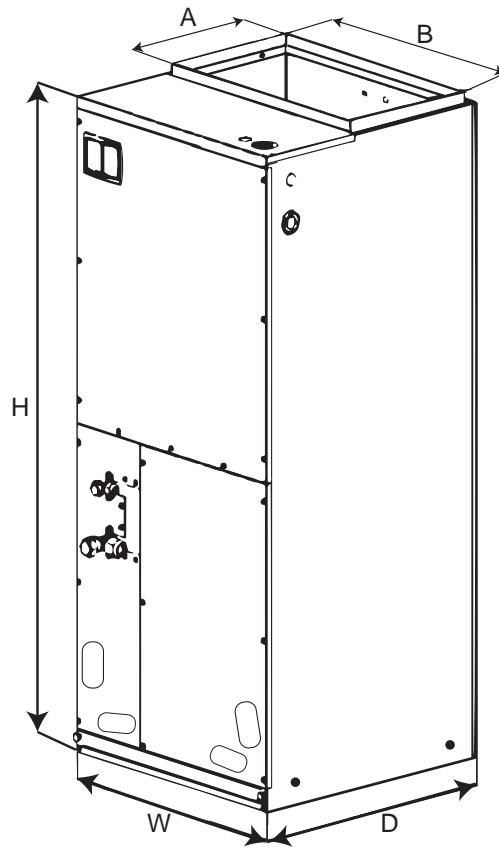
Instrucciones de Instalación

Herramientas Requeridas para la Instalación

- Cable del termostato de 18-8
 - 5/8" (16mm), 7/8" (22mm), 1" (25mm) o llave ajustable
 - Refrigerante R-410A*
 - Cinta adhesiva*
 - Abrazadera del cable del conducto de 1/2"*
 - Juego de cables de cobre (para consultar tamaños, lea la tabla de la página 15)
 - Destornillador phillips n°2
 - Taladro
 - Abocardador para R-410A
 - Llave hexagonal
 - Sierra de agujero de 2 1/4"
 - Aislante*
 - Balanza para refrigerante
 - Nivel
 - Set del calibrador del colector
 - Cinta de medición
 - Medidor de micrones
 - Adaptador para mini split (5/16"F a 1/4"M)
 - Nitrógeno*
 - Cortatubos
 - Tubería de PVC
 - Cuchillo filoso
 - Escariador
 - Abrazadera de montura (L.S.) c/ tornillos
 - Sellador, no expansible (para el orificio del juego de cables)
 - Solución de jabón/ agua* o detector de pérdidas de gas
 - Detector de montantes
 - Llave dinamométrica
 - Bomba de vacío
 - Pelacables
 - Todas las herramientas manuales y eléctricas de HVAC de uso habitual, metros y dispositivos de evaluación.
- * materiales consumibles

Instrucciones de Instalación

Dimensiones de la Unidad



Modelo	Dimensión en pulgadas (mm)				
	Ancho	Profundidad	Altura	A	B
UUY24ZGDA*	21-1/4(540)	21-1/4(540)	48-1/4(1224)	11-5/8(295)	20(508)
UUY36ZGDA*					
UUY48ZGDA*	24-3/4(630)	21-1/4(540)	57(1448)	11-5/8(295)	20(508)
UUY60ZGDA*					

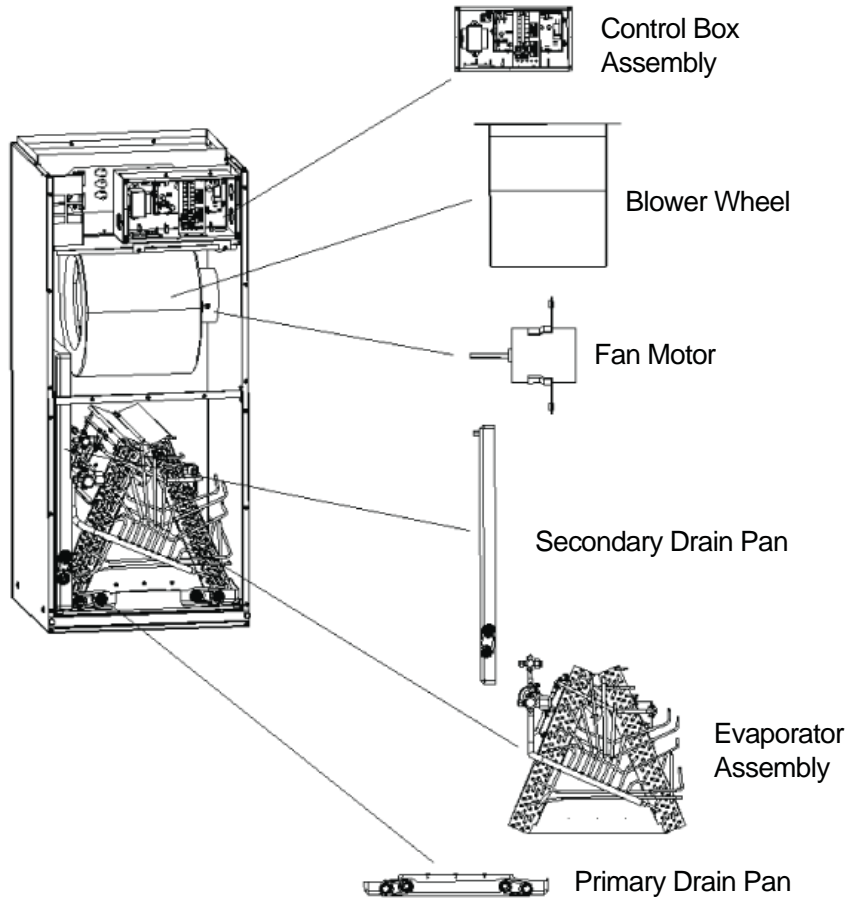
Espacios Libres de la Instalación

Se requiere un espacio libre de 24" para el retiro y acceso al servicio del filtro, bobina o soplador.

El climatizador se podrá instalar en un armario con fondo falso para formar un plenum de retorno de aire o se podrá instalar con un plenum de retorno de aire debajo del climatizador.

Instrucciones de Instalación

Piezas Principales



Modelo	Capacidad de enfriamiento (ton)	Calentador eléctrico opcional (kW)
UUY24ZGDA*	2.0	5/8/10
UUY36ZGDA*	3.0	5/8/10/15
UUY48ZGDA*	4.0	10/15/20
UUY60ZGDA*	5.0	10/15/20

Modelo	Motor @ 230V ~, 60Hz	
	HP	FLA
UUY24ZGDA*	1/2	2.1
UUY36ZGDA*		
UUY48ZGDA*	1	3.2
UUY60ZGDA*		

Modelo	Tamaño del filtro
UUY24ZGDA*	20" x 20"
UUY36ZGDA*	
UUY48ZGDA*	21" x 20"
UUY60ZGDA*	

Instrucciones de Instalación

⚠ PRECAUCIÓN

Antes de la instalación, apague todos los suministros de corriente eléctrica que se utilizan con este equipamiento.

1. Control del Producto Recibido

Luego de recibir el producto, por favor controle que no posea daños ocasionados por su traslado. Cualquier daño durante el envío es responsabilidad del transportista. Verifique que el número de modelo, las especificaciones y accesorios sean los correctos antes de la instalación. El distribuidor o fabricante no aceptará reclamos de minoristas por daños de transporte o por la instalación de unidades enviadas de forma incorrecta. El fabricante no asume ninguna responsabilidad por la instalación de unidades entregadas de forma incorrecta.

2. Antes de la Instalación

Lea atentamente todas las instrucciones de instalación antes de realizar esta última. Asegúrese de que cada paso o procedimiento sea entendido y que se tenga en cuenta cualquier consideración especial antes de iniciar la instalación. Ensamble todas las herramientas, materiales y suministros necesarios para completar la instalación. Es posible que algunos ítems se deban adquirir por separado. Asegúrese de que tener a mano todos los elementos necesarios para la instalación del producto antes de comenzar.

3. Códigos y Regulaciones

Este producto fue diseñado y fabricado en cumplimiento con los códigos nacionales. Es responsabilidad del instalador realizar la instalación del producto de acuerdo con dichos códigos y/o cualquier código/ regulación local vigentes. El fabricante no asume ninguna responsabilidad por cualquier equipamiento cuya instalación viole códigos o regulaciones.

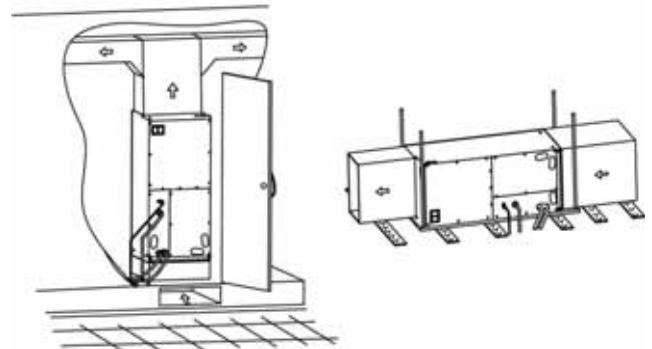
4. Piezas de Reemplazo

Al informar sobre déficits o daños, o al ordenar piezas de reemplazo, brinde el modelo del producto y los números de serie completos como figuran en la placa de especificaciones técnicas. Las piezas de reemplazo están disponibles a través de su contratista o distribuidor local.

⚠ ADVERTENCIA

- Este climatizador fue diseñado para la instalación en interior únicamente. No lo instale en áreas exteriores.
- Al instalar el climatizador, tenga en consideración minimizar la longitud de la tubería de refrigerante tanto como sea posible.
- Al realizar la instalación en un área que esté directamente sobre un cielorraso final (tal como un ático), se requerirá la instalación de una bandeja de drenaje de emergencia directamente debajo de la unidad. Para conocer los requisitos, consulte el código local y estatal.
- Al instalar esta unidad en un área que se pueda mojar, eleve la misma con un material resistente y no poroso. Instale una barrera protectora siguiendo el código para instalaciones que puedan estar sujetas a daños, tales como en un garaje.
- Este climatizador fue diseñado para el completo suministro y retorno del sistema de conductos. NO utilice este producto sin adherir un sistema de conductos completo. NO instale el climatizador en una ubicación sobre o debajo de la unidad exterior que viole las instrucciones provistas con relación a esta última. El espacio libre para el acceso al servicio técnico tiene prioridad. Deje un espacio libre mínimo de 24" para el acceso al servicio técnico en el frente de la unidad.
- Si este climatizador se instalará en un espacio cerrado donde haya electrodomésticos que consuman combustible fósil, emisiones de escapes de vehículos, u otras potenciales fuentes de monóxido de carbono, todos los requisitos de los códigos para estas condiciones se deberán cumplir de forma estricta. Las emisiones de monóxido de carbono podrán circular a través del espacio ocupado por el sistema de conductos del climatizador, ocasionando la muerte o enfermedades graves.

Configuración de una instalación típica como se muestra



Circulación ascendente

Horizontal Izquierda

Instrucciones de Instalación

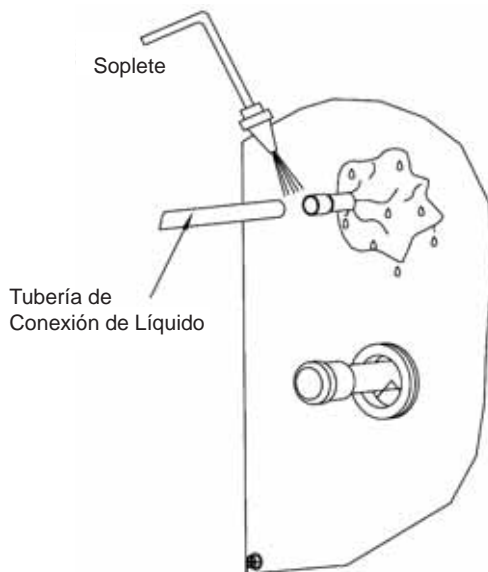
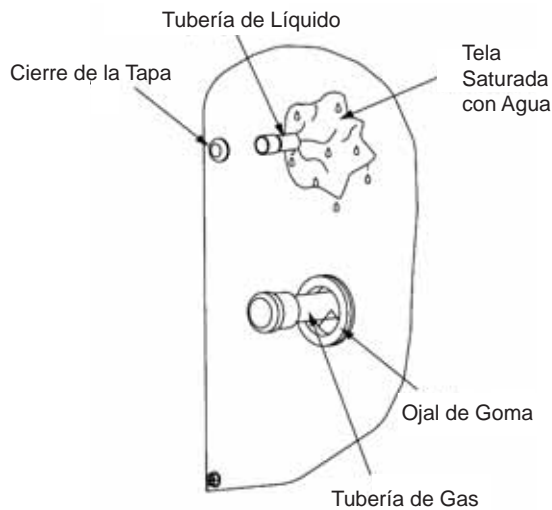
Instalación Convencional del Conjunto de Tuberías

Tamaño de la Tubería

Modelo	Diámetro Exterior (pulgadas)	
	Tubería de gas	Tubería de líquido
UUY24ZGDA*	3/4	3/8
UUY36ZGDA*		
UUY48ZGDA*		
UUY60ZGDA*		

Preparación de la Tubería

- Todos los extremos recortados deberán estar redondeados, sin rebabas y limpios. No seguir estas prácticas incrementará las posibilidades de que haya pérdidas de refrigerante.
- Primero, envuelva el ojal de goma con una tela saturada con agua, y luego suelde los cierres de la tapa de las tuberías de gas y líquido. Luego suelde las tuberías de gas y líquido con las tuberías de conexión.



Instalación de la Tubería de Refrigerante

Las tuberías de refrigerante deberán ser conectadas por un técnico de refrigerantes con licencia certificado por EPA, de acuerdo con los procedimientos establecidos.

IMPORTANT:

- Las tuberías de refrigerante conectadas deberán ser tuberías de cobre limpias, deshidratadas y con calificación para uso con refrigerante. Las bobinas del climatizador se deberán instalar sólo con los tamaños de tuberías especificados para combinaciones de sistemas aprobados.
- Tenga cuidado con las tuberías de refrigerante durante el proceso de instalación. Las curvas puntiagudas o posibles torceduras de las tuberías generarán restricciones.
- No retire las tapas del sistema de conexión hasta que las conexiones se hayan completado.

1. Enrute las tuberías de succión y de líquido de las uniones de la bobina interior en las uniones de la unidad exterior. Haga pasar las tuberías por un camino directo, evitando giros y curvas innecesarios.
2. Asegúrese de que la tubería de succión esté aislada en toda su longitud expuesta y que tanto las tuberías de succión como de líquido no tengan contacto directo con pisos, paredes, conductos, viguetas de pisos, u otras tuberías.
3. Conecte la tubería de succión y de líquido a la bobina del evaporador.
4. A fin de evitar daños, retire la lámpara del sensor TXV al soldar. Reubique los ojales de goma lejos del calor para evitar que se derritan.
5. Suelde con una aleación de plata o cobre y fósforo con un punto de fusión superior a los 1100°F.

NOTA: No use una soldadura blanda.

6. Reinstale la lámpara del sensor TXV y los ojales de goma una vez finalizada la soldadura.
7. Asegúrese de que la unidad exterior del acondicionador de aire se haya colocado en su posición de acuerdo con las Instrucciones de Instalación, y que esté conectada a las tuberías de refrigerante.

Al soldar, purgue el sistema con nitrógeno para evitar la contaminación. El fabricante recomienda volver a adherir y aislar la lámpara del sensor TXV en una posición horaria de las 10 o 2 en punto sobre la tubería de succión, fuera de la carcasa de la bobina, a no más de un pie desde la conexión. Evacúe el sistema en hasta 500 micrones a fin de asegurar la eliminación adecuada de aire y humedad (Nota: se recomienda el método de evacuación profunda o evacuación triple). Abra la válvula de servicio de succión lentamente para permitir que el refrigerante se descargue en el sistema antes de abrir la válvula de servicio de líquido.

Instrucciones de Instalación

Instale el Drenaje de Condensados

El climatizador se entrega con conexiones de drenaje de condensados NPT de 3/4".

Se requiere una bandeja de drenaje secundaria producida en fábrica con una tubería de drenaje hacia el exterior de la edificación en todas las instalaciones sobre un espacio habitable terminado, o en cualquier área que pueda ser dañada por un desbordamiento desde la bandeja de drenaje principal. En algunas localidades, los códigos locales requieren una bandeja de drenaje secundaria para cualquier instalación horizontal. La bandeja de drenaje secundaria deberá poseer una superficie de contacto más grande que el climatizador.

1. Retire los separadores de paneles apropiados para drenajes. Consulte la sección de "Conexiones de las Bandejas de Drenaje". Es posible que deba retirar el ensamble de la bobina interior del gabinete.
2. Determine qué conexión de drenaje se usará y observe las diferencias entre la abertura primaria (verde) y la secundaria (roja). Se brindan los tapones de drenaje para todas las aberturas; retire y descarte los tapones adecuados con una llave de trinquete de 1/2" y verifique que los tapones restantes estén ajustados (2.5 pies libras). Conecte la línea de drenaje a la bandeja con accesorios de PVC con rosca macho de 3/4". El ajuste manual es adecuado – no ajuste en exceso y no reduzca el tamaño de la tubería.
3. Las conexiones del drenaje secundario se deberán conectar a un sistema de drenaje separado. Conduzca este drenaje a un lugar que esté en cumplimiento con los códigos de instalación locales, donde el drenaje secundario indique que existe un drenaje primario conectado.
4. Instale un colector de 2" en la tubería de drenaje primario tan cerca de la unidad como resulte práctico. Asegúrese de que la parte superior del colector se encuentre debajo de la conexión a la bandeja principal, a fin de permitir que se complete el drenaje de la bandeja.

NOTA: Las circulaciones horizontales también deberán contar con la instalación de una ventilación antisifonaje (tubo de subida) delante de la circulación horizontal. Una circulación horizontal extremadamente prolongada podrá requerir una tubería de drenaje de gran tamaño para eliminar el aire retenido.

NOTA: No utilice el climatizador sin un colector de drenaje. El drenaje de condensados se encuentra del lado con presión negativa del soplador; por lo tanto el aire se podrá enviar a la tubería de condensados y evitar el drenaje positivo sin un colector adecuado.

5. Enrute la tubería de drenaje sobre la parte exterior o a un drenaje apropiado. Las tuberías de drenaje se deberán instalar de modo que no bloqueen el acceso al servicio técnico sobre el frente del climatizador. Se requiere un espacio libre de 24" para el retiro y acceso al servicio del filtro, bobina o soplador.

NOTA: Controle los códigos locales antes de conectar la tubería de drenaje a un sistema de drenaje existente.

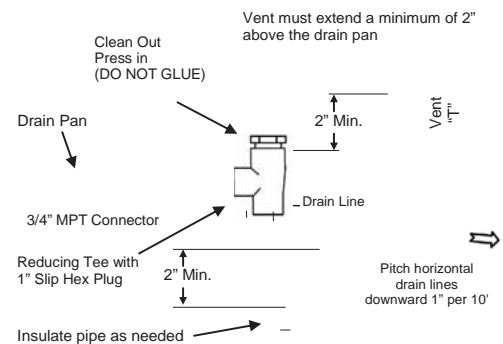
6. Aísle las tuberías de drenaje donde la exudación pueda ocasionar daños sobre el agua.

Al completar la instalación, es responsabilidad del instalador asegurar que la bandeja(s) de drenaje está capturando todos los condensados, y que todos los condensados se estén drenando correctamente y no estén quedando en el conducto/ sistema.

Instale el Drenaje de Condensados (cont.)

1. Vierta varios cuartos de galón de agua en la bandeja de drenaje, de modo que sea suficiente para llenar el colector de drenaje y la tubería.
2. Realice un control para asegurarse de que la bandeja de drenaje está drenando completamente, que no haya pérdidas en las uniones de la tubería de drenaje, y que el agua se esté drenando desde el extremo de la bandeja de drenaje primaria.
3. Corrija cualquier pérdida encontrada.

Drain Line and Vent Tee



Instrucciones de Instalación

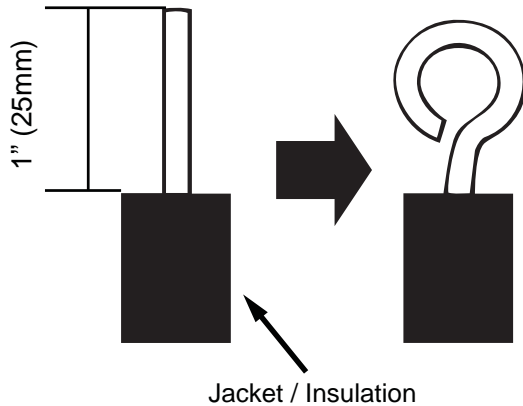
Requisitos Eléctricos

Modelo	Suministro de Corriente	Tamaño recomendado del disyuntor (A)
UUY24ZGDA* UUY36ZGDA* UUY48ZGDA* UUY60ZGDA*	208/230V-1Ph-60Hz	15

“Cableado del control” al “Cableado eléctrico”

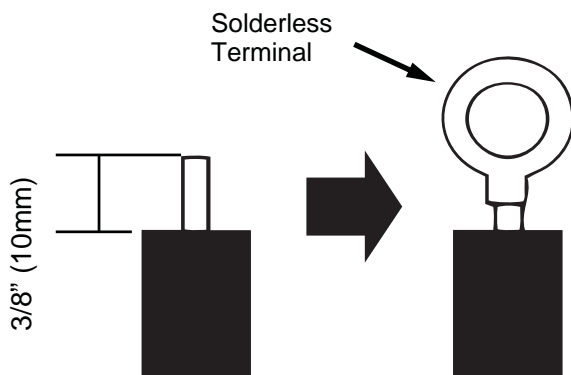
Uso de un Cable de Cobre del Núcleo Sólido Calibre 18

1. Corte la aislación 1” desde el extremo del cable.
2. Retire el tornillo del bloque terminal, y envuelva el cable alrededor del tornillo.
3. Vuelva a colocar el tornillo y el cable al bloque terminal y ajuste el mismo de forma segura.



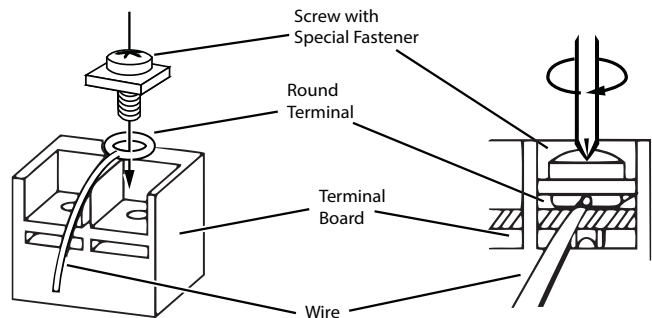
Cable Trenzado

1. Corte la aislación 3/8” desde el extremo del cable.
2. Asegúrese de que el conector terminal redondeado o dentado posea la calificación para el amperaje de la unidad que se está instalando.
3. Use una herramienta de engaste únicamente para ajustar el conector al cable.
4. Vuelva a colocar el tornillo y el conector al bloque terminal y ajuste el mismo de forma segura.



Conexiones del Cableado

1. Los cables con niveles de voltaje altos y bajos se deberán conducir a través de diferentes anillos de goma de la tapa de la caja eléctrica.
2. Mantenga tanta separación como sea posible entre la corriente y el cableado del control.
3. Los cables con niveles de voltaje altos y bajos se deberán asegurar de forma separada. Asegure los primeros con abrazaderas grandes y los últimos con abrazaderas pequeñas.
4. Use los tornillos para ajustar el cableado de alto y bajo voltaje al tablero terminal. Una conexión incorrecta podrá crear riesgos de incendio.
5. Conecte a tierra las unidades conectando el cable a tierra.
6. Todo el cableado deberá cumplir con el código local y nacional.



Sistema de Conductos

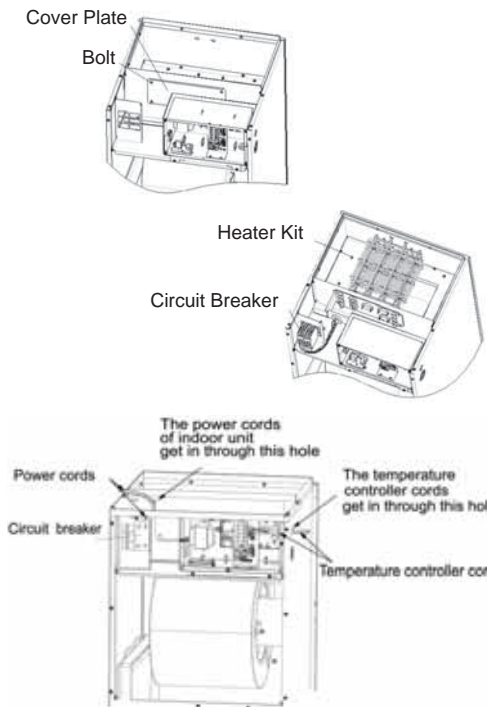
⚠ PRECAUCIÓN

1. Asegúrese de que el suministro de corriente se encuentre desconectado antes de instalar el kit del calefactor.
2. Se deberá contar con un aliviador de tensión y protección del conductor en la entrada del cable de suministro al gabinete.
3. Use sólo conductores de cobre.
4. La instalación deberá cumplir con el Código Nacional de Electricidad y con otros códigos aplicables.
5. Si este electrodoméstico se instala en un área cerrada, tal como un garaje o lavadero con un electrodoméstico que produzca monóxido de carbono, asegúrese de que el área se encuentre adecuadamente ventilada hacia el exterior.

Instrucciones de Instalación

Kit del Calefactor

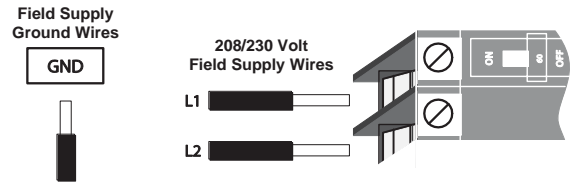
1. Consulte en la tabla el kit del calefactor correspondiente.
2. Controle que no posea ningún daño físico; no instale un kit de calefactor dañado.
3. Quite el panel de acceso frontal del climatizador.
4. Retire la placa de la tapa del climatizador.
5. Deslice el kit del calefactor en la ranura y asegure la placa con los tornillos retirados previamente.
6. Inserte los conductores de corriente en las orejetas del disyuntor o en los cables pelados rojo y negro (en kits de calefactores sin disyuntor) y ajuste.
7. Conecte el cable a tierra a la orejeta a tierra.
8. Quite el área apropiada de la cubierta plástica del disyuntor en el panel de acceso del controlador de aire. Quite los orificios de acuerdo con el número de instalación real y las posiciones de los disyuntores. Si el disyuntor no está instalado, no golpee los orificios, de lo contrario, puede ocurrir una descarga eléctrica.
9. Reemplace el panel de acceso y controle su funcionamiento.
10. Finalice el cableado de la corriente y del control.



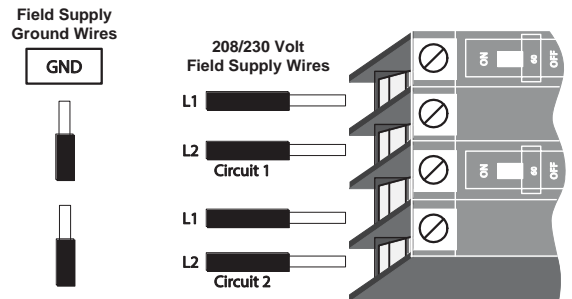
Sec.	Kit del Calefactor	Descripción	Ref. a usar (ton.)
1	UAZEH05A	Calefactor de 5KW con un disyuntor de 30A	2.0 / 3.0
2	UAZEH08A	Calefactor de 8KW con un disyuntor de 45A	2.0 / 3.0
3	UAZEH10A	Calefactor de 10KW con un disyuntor de 60A	2.0 / 3.0 / 4.0 / 5.0
4	UAZEH15A	Calefactor de 15KW con disyuntores de 30+60A	3.0 / 4.0 / 5.0
5	UAZEH20A	Calefactor de 20KW con disyuntores de 60+60A	4.0 / 5.0

Conexiones Eléctricas

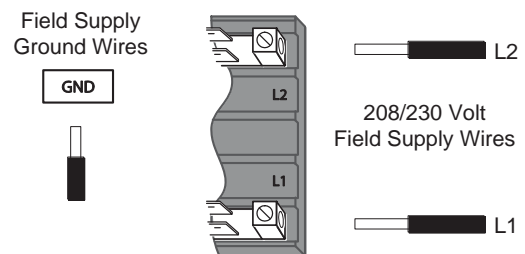
Connect to 5/810kw heater Circuit Breaker Air Handler Supply Voltage Wire Connections



Connect to 15/20kw heater Circuit Breaker Air Handler Supply Voltage Wire Connections



Connect to Terminal Block Air Handler Supply Voltage Wire Connections



ATENCIÓN: Si se trata de un nuevo climatizador y es la primera vez que se instala la calefacción, asegúrese de que los cables L1/L2 estén conectados al disyuntor y luego conecte el cable a tierra. Use el tamaño de cable adecuado de acuerdo con lo especificado en este manual para ensambles de calefactores.

Si no hay un kit de calefacción para instalar, por favor realice el cableado al bloque terminal.

Se prohíbe el uso de un calefactor eléctrico diferente a aquellos recomendados. Durante el período de descongelación, si el calefactor eléctrico fue instalado en campo, entonces el ventilador interior funcionará de manera continua; de no ser así, se detendrá.

Instrucciones de Instalación

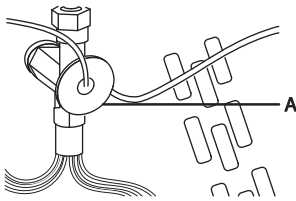
Válvula de Expansión Térmica (TXV)

Válvulas de Expansión Instaladas de Fábrica: Las lámparas con sensor se encuentran instaladas de fábrica y están sujetadas a la tubería de succión. Para un rendimiento óptimo, vuelva a adherir y aisle la lámpara en una posición de las 10 o 2 en punto fuera del gabinete hasta la tubería de succión principal, a no más de un pie desde la conexión de la tubería de succión, una vez finalizada la soldadura.

De ser necesario, la lámpara se podrá instalar en una tubería de succión vertical. En esta instancia, la lámpara se deberá colocar delante de cualquier precinto, con la tubería capilar de la lámpara mirando hacia arriba.

Es muy importante aislar el bombillo TXV luego de volver a adherir el mismo a la tubería de succión.

Thermal Expansion Valve (Letter A)



NOTE: Some models are equipped with thermo expansion valve and do not require any orifice change.

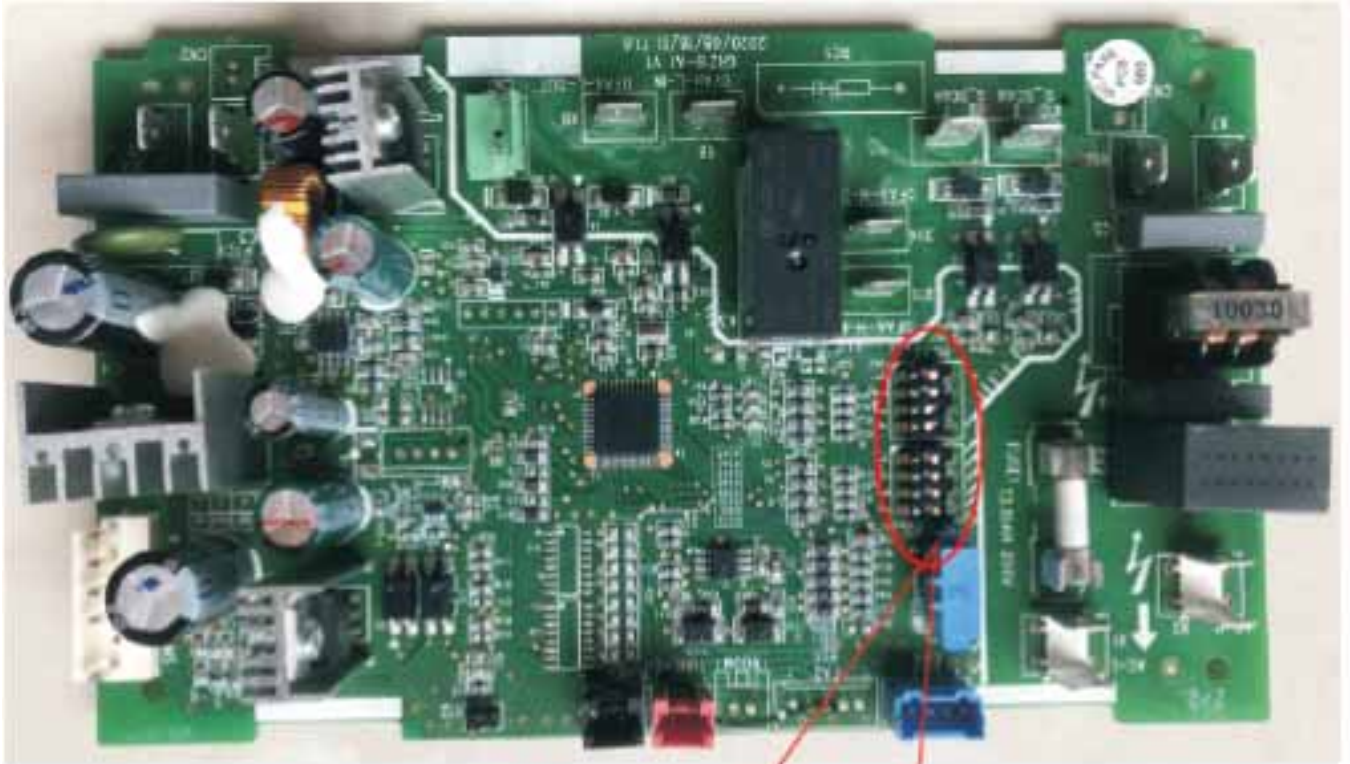
NOTA: La bobina viene precargada con gas helio. La bobina debe ser evacuada si se cambia la válvula TXV.

Instrucciones de Instalación

Instrucciones de Ajuste del Flujo de Aire para la Serie Connect

Las configuraciones para la circulación de aire por omisión del climatizador son de Nivel 4. El flujo de aire se podrá ajustar usando diferentes velocidades en los interruptores DIP del tablero de control, de acuerdo con la presión estática del sistema. Las configuraciones de velocidad del ventilador figuran a continuación:

1. Las configuraciones del interruptor DIP se deberán completar antes de encender la unidad.
2. El interruptor DIP de flujo de aire está marcado con un círculo en rojo.



Tablero de Control



Instrucciones de Instalación

Instrucciones de Ajuste del Flujo de Aire para la Serie Connect

Configuración del interruptor DIP

Modelo	Nivel	Calor (SA2)				Frio (SA1)			
UUY24ZGDAB	Nivel 1	OFF	ON	ON	ON	ON	ON	ON	ON
	Nivel 2	OFF	ON	ON	OFF	ON	ON	ON	ON
	Nivel 3	OFF	ON	OFF	ON	ON	ON	ON	ON
	Nivel 4 - Défait	OFF	ON	OFF	OFF	ON	ON	ON	ON
	Nivel 5	OFF	OFF	ON	ON	ON	ON	ON	ON
	Nivel 6	OFF	OFF	ON	OFF	ON	ON	ON	ON
	Nivel 7	OFF	OFF	OFF	ON	ON	ON	ON	ON
	Nivel 8	OFF	OFF	OFF	OFF	ON	ON	ON	ON
UUY36ZGDAB	Nivel 1	ON	ON	ON	ON	ON	ON	ON	ON
	Nivel 2	ON	ON	ON	OFF	ON	ON	ON	ON
	Nivel 3	ON	ON	OFF	ON	ON	ON	ON	ON
	Nivel 4 - Défait	ON	ON	OFF	OFF	ON	ON	ON	ON
	Nivel 5	ON	OFF	ON	ON	ON	ON	ON	ON
	Nivel 6	ON	OFF	ON	OFF	ON	ON	ON	ON
	Nivel 7	ON	OFF	OFF	ON	ON	ON	ON	ON
	Nivel 8	ON	OFF	OFF	OFF	ON	ON	ON	ON
UUY48ZGDAB	Nivel 1	OFF	ON	ON	ON	ON	ON	ON	ON
	Nivel 2	OFF	ON	ON	OFF	ON	ON	ON	ON
	Nivel 3	OFF	ON	OFF	ON	ON	ON	ON	ON
	Nivel 4	OFF	ON	OFF	OFF	ON	ON	ON	ON
	Nivel 5	OFF	OFF	ON	ON	ON	ON	ON	ON
	Nivel 6 - Défait	OFF	OFF	ON	OFF	ON	ON	ON	ON
	Nivel 7	OFF	OFF	OFF	ON	ON	ON	ON	ON
	Nivel 8	OFF	OFF	OFF	OFF	ON	ON	ON	ON
UUY60ZGDAB	Nivel 1	ON	ON	ON	ON	ON	ON	ON	ON
	Nivel 2	ON	ON	ON	OFF	ON	ON	ON	ON
	Nivel 3	ON	ON	OFF	ON	ON	ON	ON	ON
	Nivel 4	ON	ON	OFF	OFF	ON	ON	ON	ON
	Nivel 5	ON	OFF	ON	ON	ON	ON	ON	ON
	Nivel 6 - Défait	ON	OFF	ON	OFF	ON	ON	ON	ON
	Nivel 7	ON	OFF	OFF	ON	ON	ON	ON	ON
	Nivel 8	ON	OFF	OFF	OFF	ON	ON	ON	ON

Instrucciones de Instalación

Instrucciones de Ajuste del Flujo de Aire para la Serie Connect

Datos de rendimiento del soplador

Model	Static Pressure- Inches W.C.	0	0.1	0.15	0.2	0.3	0.4	0.5	0.6	0.7	0.8	0.9	1.0
UUY24ZGDAB	Nivel 1	1030	900	840	760								
	Nivel 2	1080	960	900	840	760							
	Nivel 3		1120	1060	990	850							
	Nivel 4 - Défaut			1240	1180	1070	960	800					
	Nivel 5				1390	1290	1180	1090	970	830			
	Nivel 6					1450	1360	1250	1130	960	800		
	Nivel 7						1460	1370	1270	1150	970	830	
	Nivel 8							1500	1410	1340	1200	1080	930
UUY36ZGDAB	Nivel 1	1150	1050	950	880								
	Nivel 2	1200	1100	1000	940	850							
	Nivel 3		1260	1200	1100	950	760						
	Nivel 4 - Défaut			1390	1310	1160	1080	1000					
	Nivel 5				1560	1480	1400	1310	1210	1080	930		
	Nivel 6					1640	1590	1500	1420	1330	1220	1100	960
	Nivel 7						1690	1620	1520	1440	1350	1250	1150
	Nivel 8							1660	1600	1540	1440	1320	1220
UUY48ZGDAB	Nivel 1	1640	1500	1450	1400								
	Nivel 2	1680	1560	1530	1470	1300							
	Nivel 3		1690	1620	1550	1380							
	Nivel 4			1770	1710	1580	1430	1300					
	Nivel 5				1980	1860	1720	1620	1490	1380			
	Nivel 6 - Défaut					2010	1870	1750	1615	1500	1380		
	Nivel 7						2080	2000	1880	1750	1600	1420	
	Nivel 8							2040	1980	1930	1800	1700	1550
UUY60ZGDAB	Nivel 1	1660	1540	1470	1400								
	Nivel 2	1850	1720	1650	1600	1400							
	Nivel 3		1800	1730	1650	1480	1315						
	Nivel 4			1950	1860	1760	1640	1500	1325				
	Nivel 5				2140	2040	1930	1800	1670	1520	1370		
	Nivel 6 - Défaut					2090	2010	1910	1760	1650	1550	1430	1380
	Nivel 7						2115	2050	1990	1920	1840	1750	1660
	Nivel 8							2080	2040	2000	1950	1920	1890

Instrucciones de Instalación

Control Final

Prueba del Sistema

Por favor, explíquelo al cliente cómo utilizar el sistema usando el Manual del Propietario, el cual se encuentra con la unidad de interior.

Explicación del Funcionamiento al Usuario Final

- Usando el Manual del Propietario, explíquelo al usuario final cómo usar el acondicionador de aire/ bomba de calor, (el control remoto, agregar/ retirar filtros de aire, colocar o retirar el control remoto del porta control remoto, métodos de limpieza, precauciones de funcionamiento, etc.).
- Revise las precauciones de uso.
- Recomendamos que el usuario lea las Instrucciones de uso detenidamente.

Controle los Ítems para la Prueba de Funcionamiento

- ¿No hay pérdida de gas del conjunto de tuberías?
- ¿Está el conjunto de tuberías aislado correctamente?
- ¿Están los cables de conexión de las unidades interior y exterior insertados de manera firme en el bloque terminal?
- ¿Está el cableado de conexión de la unidad interior y exterior fijo?
- ¿Está el material condensado drenando correctamente?
- ¿Está el cable a tierra conectado de forma segura? ¿Está la unidad de interior fijada de forma segura?
- ¿Es el voltaje de la fuente de alimentación el correcto de acuerdo con el código local?
- ¿Hay algún ruido extraño?
- ¿Descendió la temperatura de enfriamiento a entre 20 y 30°F?
- ¿Es la pantalla de la temperatura ambiente precisa?

Solución de Problemas

Problema	Causas Posibles	Solución
No es posible encender la unidad.	La unidad no está conectada al tomacorriente.	Realice la conexión al tomacorriente.
	Bajo voltaje	Controle que el voltaje del circuito esté dentro del rango de calificación.
	El fusible está quemado o el disyuntor se desconectó.	Reemplace el fusible o conecte el disyuntor.
La unidad funciona pero se detiene de inmediato.	La entrada/ salida de aire de la unidad interior están bloqueadas.	Retire cualquier obstáculo.
Refrigeración o calefacción anormal.	La entrada/ salida de aire de la unidad interior están bloqueadas.	Retire cualquier obstáculo.
	Configuración de temperatura inadecuada.	Ajuste la configuración desde el controlador del cableado.
	Las puertas o ventanas están abiertas.	Cierre las puertas o ventanas.
	Hay contacto directo con la luz solar.	Corra la cortina o persiana.
	Demasiada fuente de calor en la sala.	Reduzca la fuente de calor.
	La pantalla del filtro está bloqueada por la suciedad.	Limpie el filtro.
La unidad no funciona.	Cuando la unidad es iniciada inmediatamente después de haber sido apagada.	La sobrecarga del interruptor de protección hace que funcione luego de un retraso de 3 minutos.
	Cuando la corriente está activada.	Hay una espera de aproximadamente 1 minuto.
Mist comes from the unit.	Nivel bajo de refrigeración.	El aire interior con alto nivel de humedad se enfría de forma rápida.
La unidad está produciendo ruido.	Se escucha un sonido de rotura leve apenas se enciende.	Es el ruido de iniciación de la válvula de expansión electrónica.
	Hay un sonido consecutivo al refrigerar.	Se trata del sonido del gas refrigerante que circula por la unidad.
	Se produce sonido cuando la unidad se inicia y se detiene.	Se trata del sonido del gas refrigerante cuando deja de circular.
	Hay un sonido suave y consecutivo cuando la unidad está funcionando o luego de su funcionamiento.	Se trata del sonido de funcionamiento del sistema de drenaje.
La unidad sopla polvo.	Cuando la unidad se pone en funcionamiento luego de un período prolongado de inactividad.	El polvo de la unidad interior es soplado.
La unidad produce un olor anormal.	Está en funcionamiento.	El olor de la sala absorbido por la unidad es soplado hacia afuera nuevamente.
La unidad interior aún está en funcionamiento luego de ser apagada.	Una vez que cada unidad interior reciba la señal de "detención", el ventilador continuará en funcionamiento.	El ventilador interior se podrá configuración en el modo "ON" (Encendido) o "AUTO" (Automático). Bajo el modo "ON" (Encendido), el ventilador interior continuará funcionando luego de que la unidad se apague.

Instrucciones de Instalación

Hay indicadores LED en el tablero principal de la unidad interior que se usan para exhibir el estado de funcionamiento e información sobre funcionamientos incorrectos de la unidad.

Indicador LED	Color	Función
Indicador de Encendido	Rojo	El tablero principal de la unidad interior está encendido; el Indicador de Encendido esta activado.
Indicador de Funcionamiento	Verde	Luego de detectar la señal de encendido del ventilador interior, la luz indicadora de funcionamiento se encenderá; al detectar la señal de apagado del ventilador interior, la luz indicadora de funcionamiento se apagará. Al detectar una falla en el sistema, la luz indicadora de funcionamiento parpadeará.

Diferentes parpadeos de la luz indicadora de funcionamiento significarán diferentes fallas del sistema.

Funcionamiento Incorrecto	Estado del Indicador de Funcionamiento	Comentarios
Falla de la tapa del puente interior	Luz apagada 3 segundos y luego un parpadeo	Parpadeo se refiere a la luz encendida 0.5 segundos y luego apagada 0.5 segundos
Falla del ventilador interior	Luz apagada 3 segundos y luego dos parpadeos	
Falla del sensor de temperatura de la tubería interior	Luz apagada 3 segundos y luego cuatro parpadeos	

Garantía Limitada

Para los modelos de los productos que figuran en el Adjunto 1 (el "Producto"), esta Garantía Limitada Basada en los Estándares es provista al Propietario Original del Producto:

Por el Período de:	GE Appliances Reemplazará:
Garantía limitada de piezas de 5 años desde la fecha de compra	Esta Garantía Limitada Basada en los Estándares cubre todos los defectos de fabricación o de los materiales de las piezas mecánicas y eléctricas (incluyendo el compresor) contenidos en el Producto ("Piezas Defectuosas") durante un período de 5 años desde la Fecha de Compra. GE Appliances le proveerá piezas nuevas o reparadas, o el reemplazo de toda o parte de la unidad, a su propia discreción, a su técnico de instalación con licencia de HVAC. Esta garantía también cubre todos los defectos de fabricación o de los materiales del control de la unidad durante un período de 1 año. El control remoto cuenta con una garantía de accesorios con cobertura por 1 año. El sistema sin conducto está cubierto por la Garantía Limitada Basada en los Estándares. GE Appliances brindará un controlador nuevo o reparado, a su propia discreción.

CUÁL ES LA FECHA DE COMPRA

La "Fecha de Compra" es la fecha en que la instalación original fue completada y todos los procedimientos de inicio del Producto fueron adecuadamente completados y verificados en la factura del instalador. Se recomienda enfáticamente realizar su registro. Si la fecha de instalación no puede ser verificada, entonces la Fecha de Compra será de sesenta (60) días luego de la fecha de fabricación, de acuerdo con lo determinado por el número de serie del Producto. Usted deberá guardar y poder brindar su recibo de venta original entregado por el instalador como prueba de la Fecha de Compra. En una edificación nueva, la Fecha de Compra será la fecha en que el Propietario le compró la residencia al constructor.

QUIÉN ESTÁ CUBIERTO

Ocupado por el propietario: El "Propietario Original" de este producto se refiere al propietario original (y su cónyuge) de la residencia donde el Producto fue originalmente instalado. Ocupado por alguien que no es el propietario: El "Propietario Original" del Producto se refiere al propietario original de la edificación donde el Producto fue instalado originalmente; y para construcciones nuevas, el comprador de la edificación del constructor. "No ocupado por el propietario" se define como una a) edificación residencial ocupada por una familia simple o múltiple que no es propietaria, o b) un uso comercial no industrial (tal como edificios de oficinas, establecimientos de venta al por menor, hoteles/ moteles), pero para Propietarios Originales cuyas edificaciones no están ocupadas por el propietario, esta garantía limitada requiere que el producto sea instalado y mantenido anualmente por un técnico con licencia de HVAC (se requiere prueba de mantenimiento anual). Sujeto a la ley del estado o provincia donde el Producto fue instalado, el resto de la Garantía Basada en los Estándares es transferible a propietarios subsiguientes de la residencia o edificación.

CÓMO ACCEDER AL SERVICIO TÉCNICO

CoComuníquese con su técnico instalador con licencia de HVAC. Toda la instalación y el servicio deberán ser realizados por un técnico con licencia de HVAC.

Si no se solicita el servicio de un técnico con licencia de HVAC para la instalación de este Producto, se anulará toda la garantía sobre este Producto.

ESTA GARANTÍA NO CUBRE

- Daños por un servicio o instalación inadecuados.
- Daños durante el envío.
- Defectos que no sean de fabricación (es decir: otra causa que no sea fabricación o materiales).
- Daño por uso inadecuado, abuso, accidente, alteración, falta de cuidado adecuado y/o mantenimiento regular, o voltaje o corriente eléctrica incorrecta.
- Daño resultante de inundaciones, incendios, viento, iluminación, accidentes o condiciones similares.
- Un producto que no fue instalado o su servicio técnico no fue realizado por un técnico con licencia de HVAC.
- Trabajo o servicios relacionados con la reparación o instalación del Producto.
- Un Producto comprado a un vendedor minorista no autorizado a través de Internet.
- Daño como resultado de exponer el Producto a un ambiente con materiales corrosivos o altos niveles de partículas (tales como hollín, aerosoles, gases, grasa).
- Un Producto vendido y/o instalado fuera de los 50 Estados Unidos, el Distrito de Columbia o Canadá.
- Baterías del control remoto u otros accesorios provistos con el Producto para su instalación (por ejemplo: manguera plástica).
- Mantenimiento normal, tal como limpieza de bobinas, limpieza de filtros, y lubricación.
- En el caso de un Producto instalado en aplicaciones ocupadas por personas que no son dueños, un Producto que no haya sido mantenido anualmente por un técnico con licencia de HVAC (prueba requerida).
- Daño ocasionado por un componente o pieza usado o no aprobado por GE Appliances, una Compañía de Haier (es decir: un condensador/ climatizador usado y/o no aprobado).
- Componente o piezas no provistas por GE Appliances, una Compañía de Haier.
- Producto que fue transferido de su instalación original a una nueva residencia o edificación.

Garantía Limitada

GARANTÍA LIMITADA ESTÁNDAR REGISTRADA POR 10 AÑOS

Todos los "Productos de Interior y Exterior", identificados en el Adjunto 1, registrados por el instalador o el Dueño Original dentro de los 60 días desde la Fecha de Compra recibirán una Garantía Limitada Estándar Registrada, la cual será idéntica a la Garantía Estándar Base, excepto que la Garantía de Piezas Limitada tendrá validez por el término de 10 Años. Cualquier Producto que no sea registrado dentro de los 60 días desde la Fecha de Compra estará sujeto a la Garantía Estándar Base. Algunos estados y provincias no permiten que los términos de las garantías estén sujetos a un registro; en dichos estados y provincias se aplican los términos más prolongados para la Garantía Limitada de Piezas. Excepto en Texas o donde de otro modo sea requerido por la ley, esta Garantía Limitada Registrada sobre los Estándares no es transferible a un propietario subsiguiente (más que el propietario de una nueva edificación), pero las compras subsiguientes recibirán el resto de la Garantía Basada en los Estándares.

ESTA GARANTÍA LIMITADA REEMPLAZA A CUALQUIER OTRA GARANTÍA, EXPRESA O IMPLÍCITA, INCLUYENDO LAS GARANTÍAS DE COMERCIALIZACIÓN O IDONEIDAD PARA UN PROPÓSITO PARTICULAR.

La solución provista en esta garantía es exclusiva y es garantizada en lugar de todas las demás soluciones. Esta garantía no cubre daños incidentales o consecuentes. Algunos estados y provincias no permiten la exclusión de daños incidentales o consecuentes, de modo que es posible que esta limitación no se aplique en su caso. Algunos estados y provincias no permiten limitaciones en relación a la duración de una garantía implícita, de modo que es posible que esta limitación no se aplique en su caso. Esta garantía le da derechos legales específicos y es posible que tenga otros derechos legales que varían entre estados y provincias. Esta garantía cubre las unidades que se encuentran dentro de los 50 Estados Unidos, el Distrito de Columbia y Canadá. Esta garantía es provista por GE Appliances a Haier company, Louisville, KY 40225.

ADJUNTO 1:

El "Producto" se define como Unidades Tipo Split Sin Conducto y Unidades de Descarga Lateral de la marca Haier y GE Appliances. El "Producto" contiene 2 subcategorías de productos: "Productos de Interior y de Exterior" y "Productos de Instalación Seleccionados", que son definidos en mayor detalle a continuación: "Los Productos Interior y Exterior" también se pueden identificar por las siguientes descripciones de sus números de modelo: 1U*, 2U*, 3U*, 4U*, 5U*, AB*, AD*, AL*, AM*, AW*, AF*, ASY*, USY*, ASH*, AUH*, UUC*, UUY*, "Productos de Instalación Seleccionados, identificados por las descripciones de números de modelo siguientes: PB-*, PAD-*

Grapa tu recibo aquí. Se necesita comprobante de la fecha de compra original para obtener servicio bajo la garantía