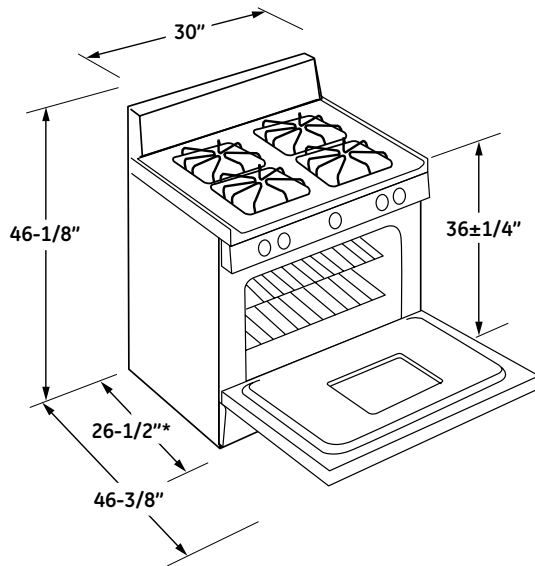


# HOTPOINT®

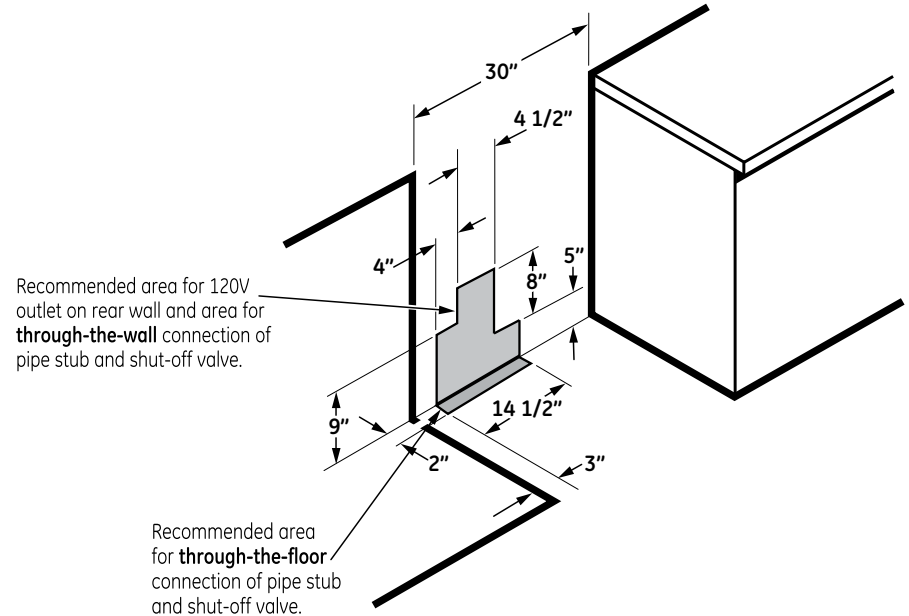
## 30" Gas Range Installation Information (in inches)

### RGB525DED – Hotpoint® 30" Free-Standing Gas Range

#### Dimensions (in inches)

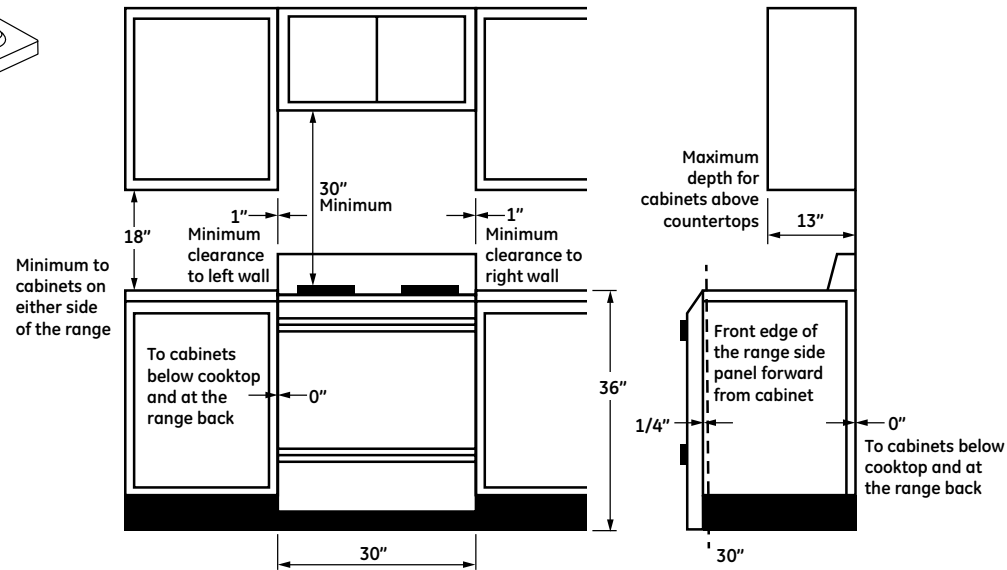


\*Dimension from wall to front of closed oven door. Dimension from wall to the front of closed oven door handle is 28-3/4".



Recommended area for 120V outlet on rear wall and area for through-the-wall connection of pipe stub and shut-off valve.

Recommended area for through-the-floor connection of pipe stub and shut-off valve.



**Installation Information:** Before installing, consult installation instructions packed with product for current dimensional data.

#### Optional gas range accessory drip pans:

(Available at additional cost)  
To order these accessory drip pans, call toll-free 800-626-2002.



\*ADA qualified based on Uniform Federal Accessibility Standards

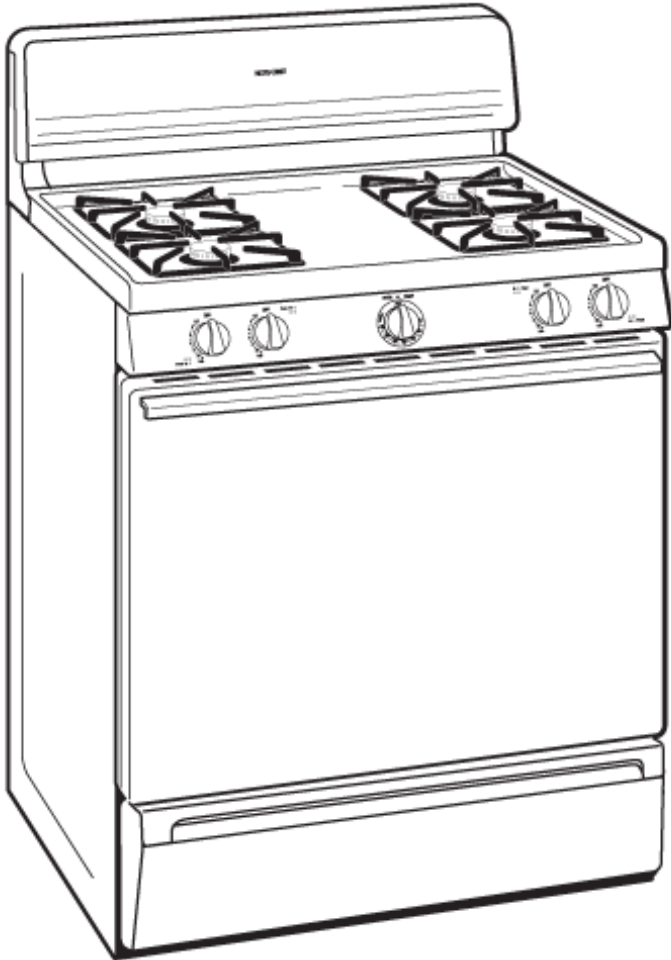


All Hotpoint ranges are equipped with an Anti-Tip device. The installation of this device is an important, required step in the installation of the range.



# HOTPOINT®

## RGB525DED – Hotpoint® 30" Free-Standing Gas Range



### Features and Benefits

- 4.8 cu. ft. oven capacity - More room for cooking more dishes at once
- All purpose burners - Deliver a wide range of heat output ideal for most cooking requirements
- Standard grates - Hold cookware securely over burners
- Porcelain upswept cooktop - Raised edges contain spills, while the surface is easy to wipe clean
- Lift-up cooktop - Allows easy access to clean the subtop
- Easy clean subtop - Porcelain enameled that's easy to clean and durable
- Porcelain oven door - Scratch-resistant coating is easy to maintain
- Model RGB525DEDWW - White on white
- Model RGB525DEDBB - Black on black