

GE40L08BAM

GE® 36 Gallon Top Port Lowboy Electric Water Heater

DIMENSIONS AND INSTALLATION INFORMATION (IN INCHES)

LOCAL INSTALLATION REGULATIONS:

This water heater must be installed in accordance with these instructions, local codes, utility codes, utility company requirements or, in the absence of local codes, the latest edition of the National Electrical Code. It is available from some local libraries or can be purchased from the National Fire Preventions Association, Batterymarch park, Quincy, MA 02169 as booklet ANSI/NFPA 70.

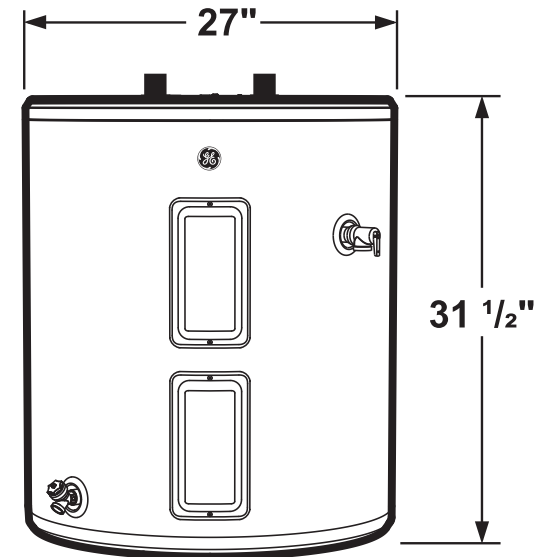
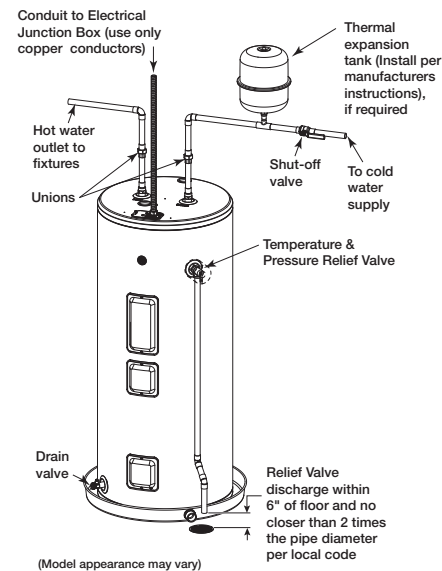
INSTALLATION INFORMATION: For complete information, see installation instruction packed with your water heater.

POWER REQUIREMENTS: Check the markings on the rating plate of the water heater to be certain the power supply corresponds to the water heater requirements.

LOCATION: Locate the water heater in a clean dry area as near as practical to the area of the greatest heated water demand. Long uninsulated hot water lines can waste energy and water.

REQUIRED CLEARANCES: There must be sufficient clearance between any object and the top, rear and sides of the water heater in the event service is needed. The controls and drain at front of unit must have clear access for operation and service. Installations that require minimal clearance on the sides or rear of the water heater for earthquake straps are also acceptable. In these cases, additional clearance should be provided on the opposite side of the unit to allow for service access

TYPICAL TOP CONNECT INSTALLATION



Above illustration intended for dimensional reference only. Refer to photograph for actual product appearance



For answers to your GE Profile™ or GE Appliances product questions, visit our website at geappliances.com or call GE Answer Center® Service, 800.626.2000.



Certified to
NSF/ANSI 372

See http://info.nsf.org/Certified/Lead_Content/
for specific model listing



Listed by
Underwriters
Laboratories

GE40L08BAM

GE® 36 Gallon Top Port Lowboy Electric Water Heater

FEATURES AND BENEFITS

Top Port Lowboy – Make the most of tight spaces with a water heater that fits where height is a concern.

Household Size – Provide hot water for the whole family of 2 to 4 persons.

Quick Recovery – Two 5500W heating elements quickly increase water temperature for hot water when you need it.

High First Hour Delivery – Live comfortably with this best in class unit that delivers 61 gallons of hot water in the first hour (Measured through DOE First Hour Rating).

Inlet Tube – Replenishes water from the bottom of the tank to maximize hot water delivery.

Easy Set Up – Replace your old water heater quickly and easily using standard water and electrical connections.

Anode Rod – Durable design offers long-lasting protection against corrosion.

Drain Valve – Rust-proof construction can be counted on to provide long-lasting service.

Adjustable Thermostat – Change temperature to your desired setting.

Warranty – 8-year limited Parts Warranty*.

Model GE40L08BAM – Diamond Gray

*See written warranty for details



GE40L08BAM

Rated capacity (gallons)	36
Nominal capacity	36
Product application	Residential
FEATURES	
Family size*	2-4
Control type	Thermostat
Temperature setting	90-150° F
Temperature setting factory default	120° F
Drain valve type	Plastic
WEIGHTS & DIMENSIONS	
Height to water connection (in.)	33-5/8
Tank dimensions (diameter x height) (in.)	27 x 31-1/2
Connection sizes—hot water outlet (MNPT)	3/4"
Connection sizes—hot water inlet (MNPT)	3/4"
POWER/RATINGS	
Electrical circuit direct wired	240V/60Hz/30A min. dedicated
Heating elements	Copper
Heating element density	High density
Lower element (watts)	5,500
Upper element (watts)	5,500
Energy factor	0.92
First Hour Rating (FHR) (gallons)	61
Operating water pressure	20-125 PSI
WARRANTY	
Parts warranty	8 years

* Household sizing based on back-to-back showers, 8 minutes long.

