

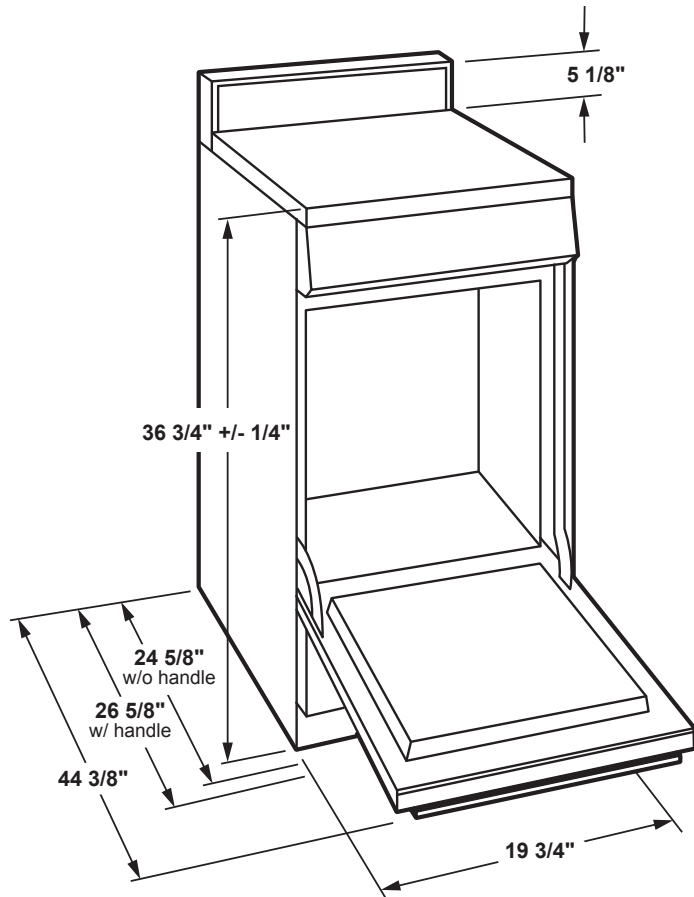
# RGAS200DMWW

## Hotpoint® 20" Front-Control Free-Standing Gas Range with Sealed Burners

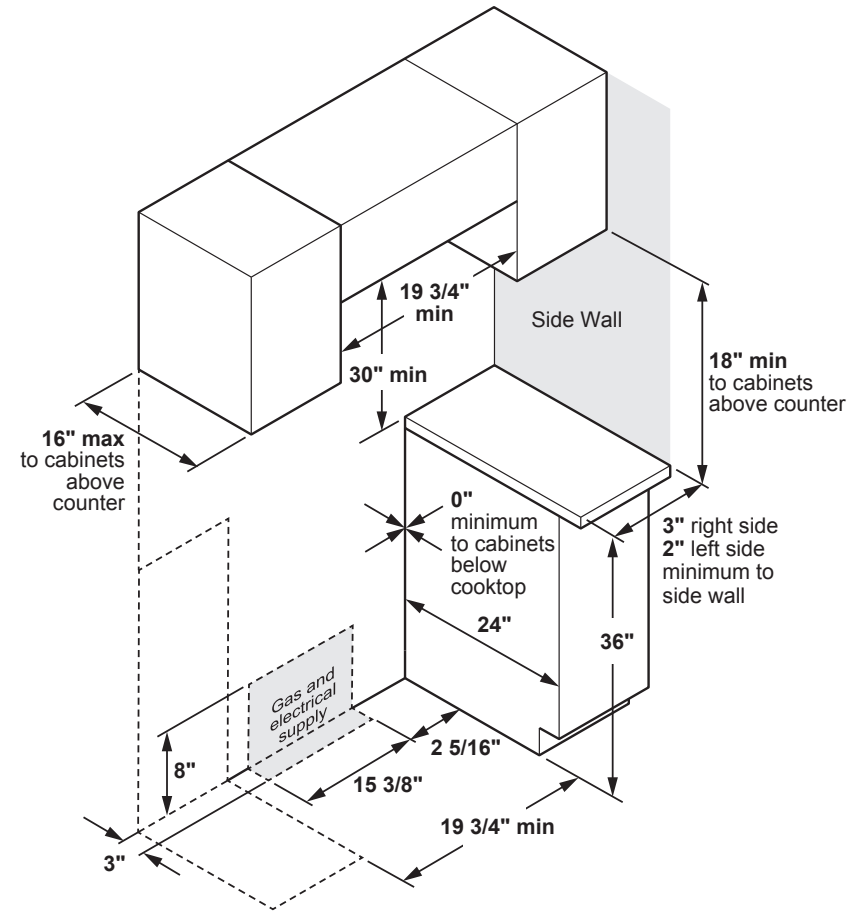
### DIMENSIONS AND INSTALLATION INFORMATION (IN INCHES)

**ELECTRICAL RATING:** 120V, 60Hz, 15A

Installation Information: Before installing, consult installation instructions packed with product for current dimensional data.



### DIMENSIONS AND CLEARANCES (CONT.) GAS PIPE AND ELECTRICAL OUTLET LOCATIONS



# Hotpoint®

For answers to your Hotpoint product questions, visit our website at [hotpoint.com](http://hotpoint.com) or call 800.626.2000.

**ADA  
COMPLIANT**



All GE Appliances ranges are equipped with an Anti-Tip device. The installation of this device is an important, required step in the installation of the range.

Specification Revised 6/18

# RGAS200DMWW

## *Hotpoint® 20" Front-Control Free-Standing Gas Range with Sealed Burners*

### **FEATURES AND BENEFITS**

Front controls – Minimize need to reach

Electronic pilotless ignition – Say farewell to the energy-wasting standing pilot! The electric pilotless ignition provides reliable operation

Porcelain oven door – Scratch-resistant porcelain coating makes the door more durable and easy to maintain

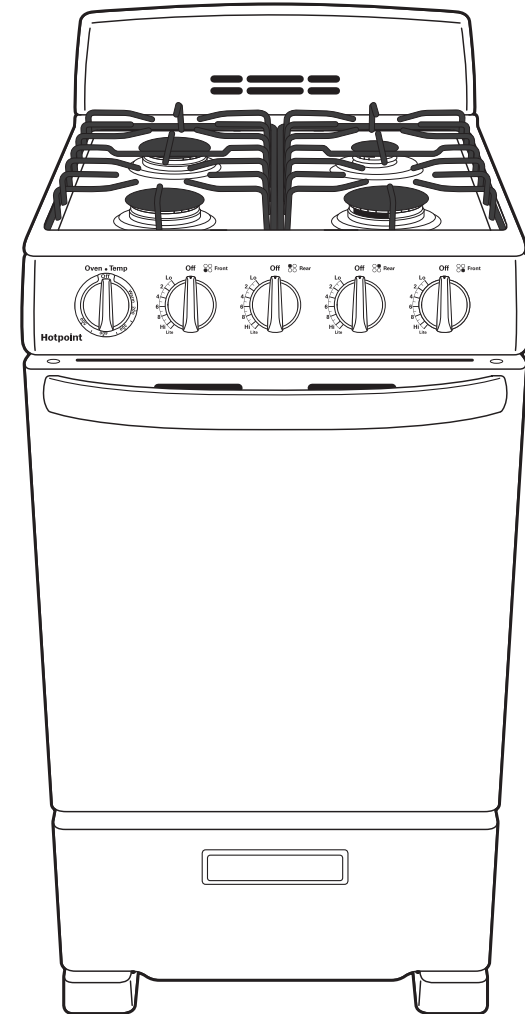
Sealed cooktop burners – Contains spills and make cleaning quick and easy

Two oven racks and multiple rack positions – Includes two oven racks that are sturdy and reliable and several positions allowing you to adjust the racks to accommodate any size cookware

Broiler drawer – Delivers high concentrated heat for crisping and browning

Standard clean oven – Smooth surface and rounded corners make clean-up quick and easy

Model RGAS200DMWW – White



# Hotpoint®