



**OWNER'S MANUAL  
& INSTALLATION  
INSTRUCTIONS**

RV

Single Zone

# THERMOSTAT

- RARWT\_ \_ (Single Zone Smart T.Stat)
- RARMC\_ \_ (Smart T.Stat Ceiling Control)
- RAREC1\_ (RV-C or Smart T.Stat Control)
- RAREC2\_ (Analog or Smart T.Stat Control)

Important Safety Information.....	3
Installation Instructions.....	4
Controls.....	8
Controls and Operating Functions .....	9
On Board Diagnostics .....	11
Fault Codes.....	12
Wiring Diagram .....	13
Testing the Thermostat .....	14
Troubleshooting .....	16
Limited Warranty.....	17
Consumer Support .....	18

Write the model and serial numbers here:

Model # \_\_\_\_\_

Serial # \_\_\_\_\_

You can find them on a label on the thermostat.

## **THANK YOU FOR MAKING GE APPLIANCES A PART OF YOUR RV.**

---

Whether you grew up with GE Appliances, or this is your first, we're happy to have you in the family.

We take pride in the craftsmanship, innovation and design that goes into every GE Appliances product, and we think you will too. Among other things, registration of your appliance ensures that we can deliver important product information and warranty details when you need them.



**GE APPLIANCES**

# IMPORTANT SAFETY INFORMATION

## READ ALL INSTRUCTIONS BEFORE USING THE APPLIANCE

### **⚠ WARNING FIRE AND SHOCK HAZARD**

- Always turn off power at the main power supply before installing, cleaning or removing the thermostat.
- Do not use on voltages over 12 VDC. Higher voltages will damage the thermostat and could cause shock or fire hazards.
- All wiring must conform to local and national electrical and building codes.
- Use this thermostat only as described in this manual.

## Specifications

### Electrical Rating:

12 VDC (Operating Range from 10.5 VDC - 15.5 VDC)

	Operating Ranges		Setpoint Ranges	
Cooling	60°F–115°F	15°C–46°C	60°F–85°F	15°C–30°C
Heat-Pump	25°F–85°F	-4°C–30°C	40°F–85°F	5°C–30°C
Furnace	See Owner's Manual		40°F–85°F	5°C–30°C

### Wall Thermostat Terminations:

0V (GND), Signal (COMMS), +12VDC

### Recommended Wire Sizes:

CIRCUIT	WIRE GAUGE	Copper Wire Type
115 VAC Control Power	12awg	SOLID
12 VDC Control Power	14awg~18awg	STRANDED
12 VDC Thermostat	18awg~22awg	SOLID

	COMMUNICATION CONNECTIONS					
Ceiling Control	GEA Smart Wall Thermostat (RARWT_ )	5 Wire Analog Wall Thermostat	RV-C Network	RV-C Room Sensor Compatible (RARES1_ )	Aux. Furnace Connection	Auto Gen Start Connection
RARMC2A_	X				X	
RAREC1A_	X		X	X	X	X
RAREC2A_	X	X			X	X

# Installation Instructions

## **⚠ WARNING**

### **ELECTRICAL SHOCK HAZARD**

Turn off power by removing the fuse or switching the appropriate circuit breaker to the OFF position before removing the existing thermostat.

### **Package Contents**

- Thermostat on cover
- Thermostat base
- Screws

### **Tools Required**

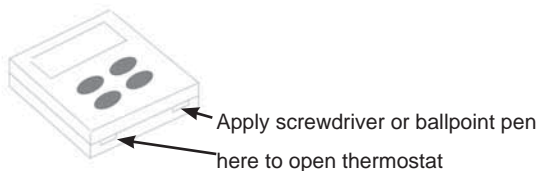
- Drill with 1/8" bit
- Ballpoint Pen
- Screwdriver

### **To Remove Existing Thermostat**

1. Turn off power to the heating and cooling system by removing the fuse or switching off the appropriate circuit breaker (115 VAC and 12VDC)
2. Remove cover of old thermostat. This should expose the wires.
3. Label the existing wires with the wire labels before removing wires.
4. After labeling wires, remove wires from terminal block.
5. Remove existing thermostat base from wall.

# Installation Instructions

---



## To Install Thermostat and Main Control

**IMPORTANT:** Thermostat installation must conform to local and national building and electrical codes and ordinances.

**NOTE:** Mount the thermostat about five feet above the floor. Do not mount the thermostat on an outside wall, in direct sunlight, behind a door or in an area affected by a vent or duct.

1. Turn off power to the heating and cooling system by removing the fuse or switching off the appropriate circuit breaker. (115 VAC and 12VDC).
2. Mount main control box to the mounting template using four screws.
3. Remove three screws from the main control box, allowing the bottom section to hinge open. Control board is now visible and accessible.
4. Route the 115 VAC power cord through the strain relief of the control box. Tighten the strain relief, making sure not to damage the wires.
5. Using provided wire connectors, connect line to black, neutral to white, and ground to green.
6. Using electrical tape or wire nuts, secure the connectors to prevent any potential movement due to vehicle vibration.
7. Route the 6 pin connector through the opening of the hemmed strain relief of the control box. Mate 6 pin connector to the control box's wire harness.

## Installation Instructions

---

8. Mate the thermistors to the corresponding interconnects on the main board. These will be bundled with the 6-pin connector in the rooftop unit. For ARC models, one connection will need to be made (indoor coil sensor). For ARH models, an additional connection will need to be made (ambient/outdoor coil sensors).
9. Using provided wire connectors, connect 2 furnace wires (blue), 3 thermostat wires (red, yellow, black), and two 12 VDC battery wires (red and black).
10. Rotate lower section of control box upwards making sure not to crush any wires. Drive three screws, securing the control box closed. The main control install is now complete.
11. Remove the cover from the base by undoing the two plastic snaps on the bottom of the base. A small screwdriver or ballpoint pen can be used to gently depress one snap at a time (reference the figure on page 5).
12. Put thermostat base against the wall where you plan to mount it. Make sure wires will feed through the wire opening in the base of the thermostat.
13. With the base level, mark the placement of the mounting holes.
14. Ensure no other wires are affected by the drilling of 1/8" holes.
15. Using a 1/8" drill bit, drill pilot holes in the locations you have marked for the wood screws.
16. Align thermostat base with mounting holes and feed the control wires through the wire opening.

## Installation Instructions

### To Install Thermostat and Main Control (continued)

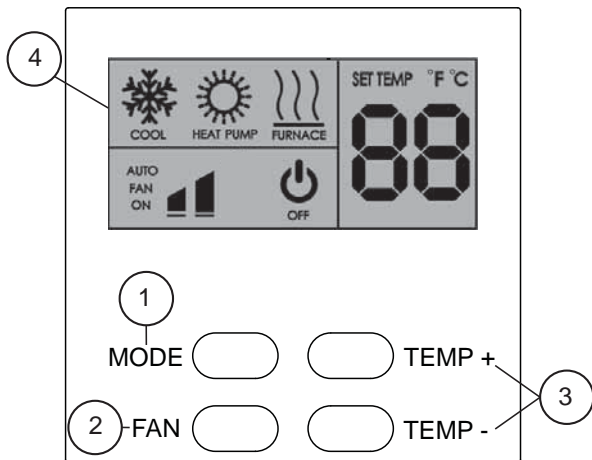
17. Use supplied screws to mount thermostat base to wall.
18. Insert stripped, labeled wires in matching wire terminals and tighten terminal screws once properly aligned. See the “Wiring Diagrams” section of this manual.

#### **⚠ CAUTION**

Make sure exposed portion of wires does not touch other wires.

19. Gently tug each wire to be sure of proper connection. Verify that each wire is connected to the proper terminal.
20. For Heat Pump models (ARH15AAC\_), flip switch #1 to the “ON” position (see figure on page 12). Additionally, if your unit will not be connected to a furnace, furnace mode can be disabled by toggling switch #4 to the “on” position (see figure on page 12).
21. Reattach the thermostat cover by aligning the cover and snapping the bottom in place.
22. Turn on power to the system at the main service panel.
23. Test thermostat operation as described in the “Testing the thermostat” section.

# Controls (RARWT\_ \_)



## 1. Mode Button

Use this button to toggle between the following modes.



**OFF** – The air conditioner and RV's furnace will not operate.



**FAN ONLY** – The fan will operate to circulate air.



**COOL** – The air conditioner will operate to lower the RV temperature

**NOTE:** only use HEAT-PUMP modes with outdoor model ARH15AAC\_ (see RV Air-Conditioner Owner's Manual).

Enable HEAT-PUMP modes by turning ON DIP switch #1 located on the back side of the thermostat (see Wiring Diagram)



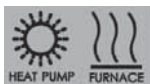
# Controls and Operating Functions (RARWT\_ \_)

## 1. Mode Button (continued)



**HEAT PUMP ONLY** – the unit will operate the heat-pump to raise the RV temperature.

**NOTE:** if the outdoor ambient drops below 25°F (-4°C), the heat-pump will be disabled.



**HEAT PUMP + FURNACE** – the unit will first operate the heat-pump to conserve propane.

If the RV temperature drifts further than 3°F from the setpoint, then the RV's furnace will be turned ON.

**NOTE:** the furnace will automatically turn ON, if the outdoor temperature drops below 25°F (-4°C) or if the Heat-Pump begins a defrost.



**FURNACE ONLY** – the RV's furnace will operate to raise the RV temperature. This mode can be disabled by toggling switch #4 on the thermostat to the "ON" position.

## 2. Fan Button

Use this button to toggle between fan speeds and fan modes.



**FAN ON** – the fan will run even when the set point has been reached.



**AUTO FAN** – the fan will turn off once the set point has been reached.

## 3. Temperature Selection Buttons

Use these buttons to raise and lower the set point.

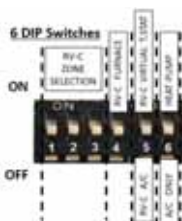


To change between Fahrenheit (°F) and Celsius (°C), hold both "TEMP +" and "TEMP -" at the same time for 2 seconds.

# Control and Operating Functions (RAREC1A)

Zone selection...

Switch #1	Switch #2	Switch #3	
ON	OFF	OFF	= Zone 1 (1)
OFF	ON	OFF	= Zone 2 (2)
OFF	OFF	ON	= Zone 3 (3)
ON	OFF	ON	= Zone 4 (1+3)
OFF	ON	ON	= Zone 5 (2+3)
ON	ON	ON	= Zone 6 (1+2+3)
ON	ON	OFF	= Zone 7
OFF	OFF	OFF	= Zone 8



DIP SWITCH			RV-C PRODUCT TYPE	DSA (FOR ALL ZONES)	Dynamic Address Range
#4	#5	#6			
OFF	OFF	Either	RV-C AIR CONDITIONER (& HP)	103 (67h)	132 - 207 (CDH - CFH)
ON	OFF	Either	RV-C AIR CONDITIONER (& HP) and RV-C FURNACE	103 (67h)	
OFF	ON	Either	RV-C VIRTUAL THERMOSTAT with A/C Status (& HP)	88 (58h)	
ON	ON	Either	RV-C VIRTUAL THERMOSTAT with A/C Status (& HP) with FURNACE Status	103 (67h)	

If Switch #5 is ON (RV-C Virtual T.Stat Method), an RARES1A room sensor kit will be required.

# Control and Operating Functions (RAREC2A)

GL	GH	Y	W	HP	SEA Fan Speed	SEA Mode
(See text)	(See text)	(comp)	( furnace)	(if HP is ON, then HP defaults are allowed)		
0						
1						
2						
3						
4						
5						
6						
7						
8						
9						
10						
11						
12						
13						
14						
15						
16						
17						
18						
19						
20						
21						
22						
23						
24						
25						
26						
27						
28						
29						
30						
31						
32						
33						
34						
35						
36						
37						
38						
39						
40						
41						
42						
43						
44						
45						
46						
47						
48						
49						
50						
51						
52						
53						
54						
55						
56						
57						
58						
59						
60						
61						
62						
63						
64						
65						
66						
67						
68						
69						
70						
71						
72						
73						
74						
75						
76						
77						
78						
79						
80						
81						
82						
83						
84						
85						
86						
87						
88						
89						
90						
91						
92						
93						
94						
95						
96						
97						
98						
99						
100						



Switch #1 specifies default fan speed in HP Mode if GL or GH is not specified.

Switch #2 specifies if a "Y" signal is required for HP Mode.

## On Board Diagnostics (RARWT\_ \_)

---



### Low Voltage Detection:

If the 12VDC drops below 10.5V, the thermostat will switch to “OFF” mode and flash “Lo”.

When voltage exceeds 10.5V, the display will show a constant “Lo” and remain in “OFF” mode until a different mode is reselected by the user.



### A/C Freeze-Up Prevention:

In COOL mode, a flashing snowflake icon indicates that the indoor coil is near freezing, and that the compressor was turned off.

Recommend increasing airflow by cleaning the filter and opening vents.



### Heat-Pump Auto-Defrost:

In HEAT-PUMP modes, a flashing HEAT-PUMP icon indicates that the unit is performing an auto-defrost.

In HEAT-PUMP+FURNACE mode, while auto-defrosting, the unit will use the furnace.



### Heat-Pump Lockout:

In HEAT-PUMP ONLY mode, a flashing HEAT-PUMP icon AND 25°F (-4°C) indicates that the outdoor temperature dropped below 25°F (-4°C) and the Heat-Pump is locked out.

Recommended when expecting temperatures below 25°F (-4°C) to use HEAT-PUMP+FURNACE or FURNACE ONLY mode.

## On Board Diagnostics (RARWT\_ \_)



### Heat-Pump Over Temperature:

In HEAT-PUMP modes, a flashing HEAT-PUMP icon AND 99°F (99°C) indicates that the indoor coil reached a temperature above 135°F (58°C) and the compressor was shut off.

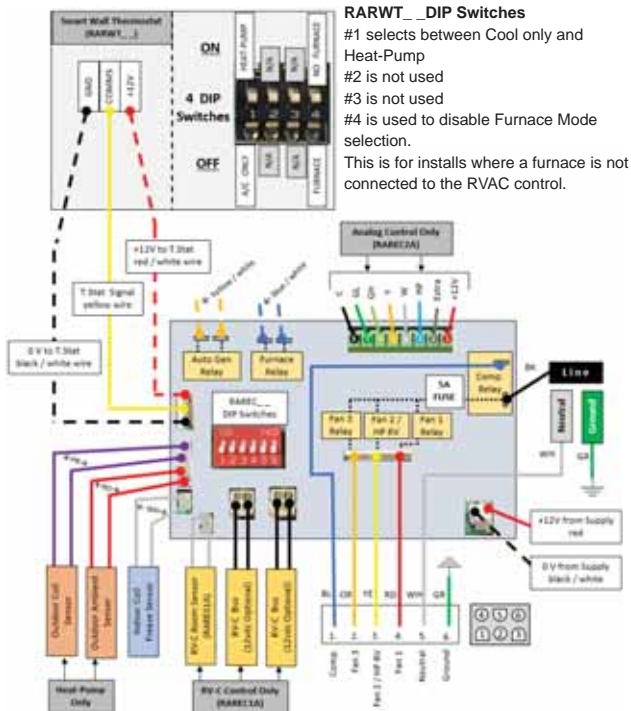
Recommended to increase airflow by cleaning the filter and opening vents.

## Fault Codes (RARWT\_ \_)

Fault Codes			
	Display Code	Affected Sensor	Potential Cause
All Models	F1	Indoor Coil	Unplugged Sensor or Temp less than -22°F (-30°C)
	F2	Indoor Coil	Shorted wires or temp greater than 149°F (65°C)
Heat Pump Models	F3	Outdoor Coil	Unplugged Sensor or Temp less than -22°F (-30°C)
	F4	Outdoor Coil	Shorted wires or temp greater than 149°F (65°C)
Dip Switch 1 ON	F5	Outdoor Temp	Unplugged sensor, or Dip Switch 1 set to "ON" for AC only model. Temp less than -22°F (-30°C)
	F6	Outdoor Temp	Shorted wires or temp greater than 149°F (65°C)
All Models	F7	Thermostat Room Sensor	Unplugged Sensor or Temp less than -22°F (-30°C)
	F8	Thermostat Room Sensor	Shorted wires or temp greater than 149°F (65°C)
	F9 -- FC	Signal Wire	Thermostat signal wire is unplugged or shorted (Not communicating to the main control)

# Wiring Diagrams

Table 1: terminals for three wires 1-stage heat / 1-stage cool system.



## Testing the Thermostat

---

Once the thermostat is installed, it should be tested for functionality.

**NOTE:** Before testing the thermostat, press the **Fan Auto/On** button until the display shows the **Auto** position.

### Fan Test

1. Toggle Mode button to Fan ON position.
2. Fan turns on.
3. Toggle between low and high fan speeds with the FAN button.
4. Speed should adjust accordingly

### Cool Test

1. Toggle **Mode** button until Cool mode is on. **Cool** mode screen is displayed.
2. Adjust set temperature so it is 5 degrees below room temperature.
3. Air conditioning should come on within a few seconds.
4. Adjust the set temperature so it is 2 degrees above the room temperature and the A/C should turn off. **Note:** There is a 3 minute time delay and a 3 minute minimum run time for the compressor when it turns on/off.

### Heat Pump Test (ARH models only)

1. Toggle **Mode** button until **Heat Pump** mode is on. Heat Pump screen is displayed.
2. Adjust set temperature so it is 5 degrees above room temperature.
3. Heating should come on within a few seconds.
4. Adjust the set temperature so it is 2 degrees below the room temperature and the Heat Pump should turn off.

**NOTE:** There is a 3 minute time delay and a 3 minute minimum run time for the compressor when it turns on/off.

# Testing the Thermostat

---

## Furnace Test

1. Toggle mode button until furnace mode is active. **Furnace** mode screen is displayed.
2. Adjust set temperature so it is 5 degrees above room temperature. Within a few seconds, the furnace should initiate its startup procedure.
3. Adjust the set temperature so it is 2 degrees below the room temperature and the heat should turn off. **Note:** Depending on the model of furnace used, there may be a delay in engaging and disengaging the furnace.

## Troubleshooting Tips

Problem	Solution
Display is blank	Check for 12VDC; display is blank when 12V is not present.
All thermostat buttons are non-responsive	Verify that the 12VDC is present; the unit will not operate when the voltage is below 10.5V.
Fan and Compressor will not turn ON	Verify that 115VAC is present.
Fan does not turn ON, but the Compressor does turn ON	WITH POWER REMOVED, verify that nothing is obstructing the fan blade, that it spins freely. Check the 5 amp Fuse on the board
Fan runs continuously	Check Fan Mode. If set to FAN ON, the fan will run continuously.
Room Temperature does not match Setpoint when the unit shuts off	Verify proper installation per installation instructions (pg. 5 ... not on exterior wall or in direct sunlight... ..in an area affected by a vent or duct...)
Compressor does not turn ON immediately when changing Modes or Setpoint	This is normal, there is a 3 minute OFF timer preventing the compressor from being turned OFF and right back ON.
Fan does not turn ON immediately when changing Modes or Setpoint	In Heat-Pump mode, if Auto Fan is selected, the fan will not turn ON until the compressor turns ON after the 3 minute OFF timer.
F5 Flashes on the Wall Thermostat	With a Cool Only model, check that DIP Switch #1 on the back side of the wall thermostat is turned OFF. (see Wiring Diagram) With a Heat-Pump model, check to see if the outdoor temperature sensor is unplugged or damaged.



# Thermostat Limited Warranty

Staple your receipt here.  
Proof of the original purchase date is needed to validate the warranty.

## For The Period Of: **GE Appliances Will Replace:**

### **Two Years**

From the date of the original purchase

**Full Replacement** of the thermostat which fails due to a defect in materials or workmanship.

## What GE Appliances Will Not Cover:

- Service trips to your location.
- Improper installation. If you have an installation problem, contact your installer. You are responsible for providing adequate electrical connections to the product.
- Failure of the product resulting from modifications to the product or due to unreasonable use, including failure to provide reasonable and necessary maintenance.
- In commercial locations, labor necessary to move the unit, after it has been initially installed, to a location where it is accessible for service by an individual technician; or, if the instructions included in this manual have been disregarded.
- Replacement of location fuses or the resetting of circuit breakers.
- Damage to the product caused by improper power supply voltage, accident, fire, floods or acts of God.
- Incidental or consequential damage caused by possible defects with this thermostat.

**EXCLUSION OF IMPLIED WARRANTIES**—Your sole and exclusive remedy is product exchange as provided in this Limited Warranty. Any implied warranties, including the implied warranties of merchantability or fitness for a particular purpose, are limited to one year or the shortest period allowed by law.

This limited warranty is extended to the original purchaser and any succeeding owner for products purchased for use within the USA and Canada. In Alaska, the limited warranty excludes the cost of shipping or service calls to your site.

Some states or provinces do not allow the exclusion or limitation of incidental or consequential damages. This limited warranty gives you specific legal rights, and you may also have other rights which vary from state to state or province to province. To know what your legal rights are, consult your local, state or provincial consumer affairs office or your state's Attorney General.

**Warrantor: GE Appliance, a Haier company. Louisville, KY 40225**

# Consumer Support

---

## GE Appliances Website

Have a question or need assistance with your appliance? Try the GE Appliances Website 24 hours a day, any day of the year! You can also shop for more great GE Appliances products and take advantage of all our on-line support services designed for your convenience. In the US: **GEAppliances.com**

---

## Register Your Appliance

Register your new appliance on-line at your convenience! Timely product registration will allow for enhanced communication and prompt service under the terms of your warranty, should the need arise. You may also mail in the pre-printed registration card included in the packing material. In the US: **GEAppliances.com/register**

---

## Schedule Service

Call 1-877-540-7837 during normal business hours.

---

## Extended Warranties

Purchase a GE Appliances extended warranty and learn about special discounts that are available while your warranty is still in effect. You can purchase it on-line anytime. GE Appliances Services will still be there after your warranty expires. In the US: **GEAppliances.com/extended-warranty** or call 800.626.2224 during normal business hours.

---

## Remote Connectivity

For assistance with wireless network connectivity (for models with remote enable), visit our website at **GEAppliances.com/connected-home-smart-appliances** or call 800.220.6899 in the US.

---

## Parts and Accessories

Individuals qualified to service their own appliances can have parts or accessories sent directly to their homes (VISA, MasterCard and Discover cards are accepted). Order on-line today 24 hours every day. In the US: **GEApplianceparts.com** or by phone at 877.959.8688 during normal business hours.

---

**Instructions contained in this manual cover procedures to be performed by any user. Other servicing generally should be referred to qualified service personnel. Caution must be exercised, since improper servicing may cause unsafe operation.**

---

## Contact Us

If you are not satisfied with the service you receive from GE Appliances, contact us on our Website with all the details including your phone number, or write to:

General Manager, Customer Relations | GE Appliances, Appliance Park |  
Louisville, KY 40225  
**GEAppliances.com/contact**



**Manuel Du Propriétaire  
Et Instructions  
D'installation**

RV

Single Zone

# THERMOSTAT

RARWT\_ \_ (Single Zone Smart T.Stat)  
RARMC\_ \_ (Smart T.Stat Ceiling Control)  
RAREC1\_ (RV-C or Smart T.Stat Control)  
RAREC2\_ (Analog or Smart T.Stat Control)

## Renseignements Importants

Concernant La Sécurité.....	3
Instructions d'installation .....	4
Commandes.....	8
Commandes et fonctions de fonctionnement .....	9
Diagnostic à bord .....	11
Codes d'erreurs .....	12
Schémas de câblage.....	13
Essai du thermostat .....	14
Conseils de dépannage .....	16
Garantie Limitée.....	17
Soutien au consommateur.....	18

Écrivez le modèle et les numéros de série  
ici

Modèle # \_\_\_\_\_

En série # \_\_\_\_\_

Vous pouvez les trouver sur une  
étiquette sur le thermostat.

## **NOUS VOUS REMERCIONS D'ACCUEILLIR GE APPLIANCES CHEZ VOUS RV**

---

Que vous ayez grandi avec GE Appliances ou qu'il s'agisse de votre première acquisition, nous sommes heureux de vous accueillir dans notre famille.

Nous sommes fiers du savoir-faire, de l'innovation et de l'esthétique qui composent chaque appareil GE Appliances, et nous pensons que vous le serez aussi. Dans cette optique, nous vous rappelons que l'enregistrement de votre électroménager vous assure la communication de renseignements importants sur le produit et la garantie lorsque vous en avez besoin.

Enregistrez votre électroménager GE en ligne dès maintenant. Des sites Web et des numéros de téléphone utiles figurent dans la section Soutien au consommateur de ce manuel d'utilisation.



**GE APPLIANCES**

# RENSEIGNEMENTS IMPORTANTS CONCERNANT LA SÉCURITÉ

LISEZ TOUTES LES INSTRUCTIONS AVANT D'UTILISER CET APPAREIL.

## **⚠ AVERTISSEMENT** RISQUE D'INCENDIE ET D'ÉLECTROCUTION

- Mettez toujours l'alimentation électrique hors tension depuis la source d'alimentation électrique principale avant d'installer, de nettoyer ou de retirer le thermostat.
- N'utilisez pas des tensions supérieures à 12 VCC. Des tensions plus élevées endommageront le thermostat en plus de représenter un risque d'électrocution ou d'incendie.
- Tout le câblage doit être conforme aux Codes de l'électricité et du bâtiment locaux et nationaux.
- Utilisez ce thermostat aux seules fins décrites dans ce manuel.

### Fiche technique

#### Caractéristiques électriques :

12 VCC (Plage de fonctionnement de 10,5 VCC à 15,5 VCC)

	Plages de fonctionnement		Plages de point de consigne	
	60°F–115°F	15°C–46°C	60°F–85°F	15°C–30°C
Refroidissement	60°F–115°F	15°C–46°C	60°F–85°F	15°C–30°C
Thermopompe	25°F–85°F	-4°C–30°C	40°F–85°F	5°C–30°C
Chaudière	Voir le manuel du propriétaire		40°F–85°F	5°C–30°C

#### Raccordements de thermostat mural :

0 V (GND), Signal (COMMS), +12 VCC

#### Dimensions de fil recommandées :

CIRCUIT	CALIBRE DE FIL	Type de fil en cuivre
Alimentation de commande 115 VCA	12awg	MASSIF
Alimentation de commande 12 VCC	14awg~18awg	TORONNÉ
Thermostat 12 VCC	18awg~22awg	MASSIF

Commande de plafond	RACCORDS DE COMMUNICATION					
	Thermostat mural intelligent GEA (RARWT__)	Thermostat analogique à 5 fils	Réseau RV-C	Compatible avec capteur de pièce RV-C (RARES1_)	Raccord de chaudière aux.	Raccord de démarrage Auto Gen
RARMC2A_	X				X	
RAREC1A_	X		X	X	X	X
RAREC2A_	X	X			X	X

# Instructions d'installation

## **⚠ AVERTISSEMENT** RISQUE D'ÉLECTROCUTION

Mettez l'appareil hors tension en retirant le fusible ou en déclenchant le disjoncteur approprié avant de retirer le thermostat existant.

### Contenu de l'emballage

- Couvercle du thermostat
- Base du thermostat
- Vis

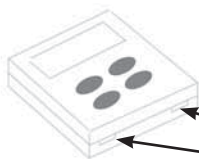
### Outils requis

- Perceuse et mèche de 3 mm (1/8 po)
- Perceuse et mèche de 5 mm (3/16 po)
- Marteau
- Tournevis

### Pour retirer le thermostat existant

1. Mettez le système de chauffage et de climatisation hors tension en retirant le fusible ou en déclenchant le disjoncteur approprié.
2. Retirez le couvercle du thermostat à changer. Ceci devrait exposer les fils.
3. Étiquetez les fils existants à l'aide des étiquettes fournies avant d'enlever les fils.
4. Après avoir étiqueté les fils, débranchez les fils des cosses.
5. Retirez la base du thermostat existant du mur.

# Instructions d'installation



Appliquez un tournevis ou un stylo à bille ici pour ouvrir le thermostat

## Installation du thermostat et de la commande principale

**IMPORTANT: L'installation de ce thermostat doit être conforme à tous les codes et tous les règlements des Codes du bâtiment et de l'électricité locaux et nationaux.**

**REMARQUE:** Montez le thermostat à une hauteur d'environ 1,5 m (5 pi) au-dessus du plancher. Ne montez pas le thermostat sur un mur extérieur, directement exposé aux rayons de soleil, derrière une porte ou à un endroit où une bouche ou un conduit d'aération pourrait nuire au fonctionnement.

1. Mettez le système de chauffage et de climatisation hors tension en retirant le fusible ou en déclenchant le disjoncteur approprié.
2. Retirez les trois (3) vis de la boîte de commande principale en laissant pendre la partie inférieure. Le tableau de commande est maintenant visible et accessible.
3. Remove three screws from the main control box, allowing the bottom section to hinge open. Control board is now visible and accessible.
4. Enfillez le cordon d'alimentation de 115 VCA dans le protecteur de cordon de la boîte de commande. Serrez le protecteur de cordon en vous assurant de ne pas endommager les câbles.
5. À l'aide des capuchons de connexion, raccordez la ligne électrique au fil noir, le fil neutre au fil blanc et le fil de mise à la terre au fil vert.
6. À l'aide de ruban isolant ou de capuchons de connexion, fixez fermement les connecteurs de manière à éviter un mouvement accidentel causé par les vibrations du véhicule.
7. Acheminez le connecteur à six (6) broches par l'ouverture ourlée du protecteur de cordon de la boîte de commande. Raccordez le connecteur à six (6) broches au faisceau de câbles de la boîte de commande.

## Instructions d'installation

### Installation du thermostat et de la commande principale (suite)

8. Raccordez les thermistances aux interconnecteurs correspondants au tableau principal. Ces dernières seront regroupées avec le connecteur à six (6) broches sur le dessus de l'appareil. Pour les modèles ARC, un raccord sera nécessaire (capteur de serpentin interne). Pour les modèles ARH, un raccord additionnel devra être fait (capteurs de serpentins d'air ambiant/extérieur).
9. À l'aide des capuchons de connexion fournis, raccordez deux (2) fils de générateur d'air chaud (bleu), trois (3) fils de thermostat (rouge, jaune et noir) et deux (2) fils de pile 12 VCC (rouge et noir).
10. Tournez la partie inférieure de la boîte de commande vers le haut en vous assurant de ne pas écraser aucun fil. Insérez trois (3) vis pour fixer et fermer correctement la boîte de commande.
11. Retirez le couvercle de la base en détachant les deux agrafes en plastique au bas de la base. Vous pouvez utiliser un petit tournevis pour séparer doucement une agrafe à la fois. (référence à la figure de la page 5)
12. Apposez la base du thermostat contre le mur où il doit être installé. Assurez-vous que les fils passeront par l'ouverture de fil située sur la base du thermostat.
13. Utilisez un niveau pour niveler et marquer l'emplacement des trous de montage.
14. Éloignez la base et le couvercle du thermostat de la zone de travail.
15. Utilisez une mèche de 3 mm (1/8 po) pour percer des avant-trous aux emplacements marqués pour les vis à bois.
16. Alignez la base du thermostat avec les trous de montage et acheminez les fils de commande dans l'ouverture du fil.



## Instructions d'installation

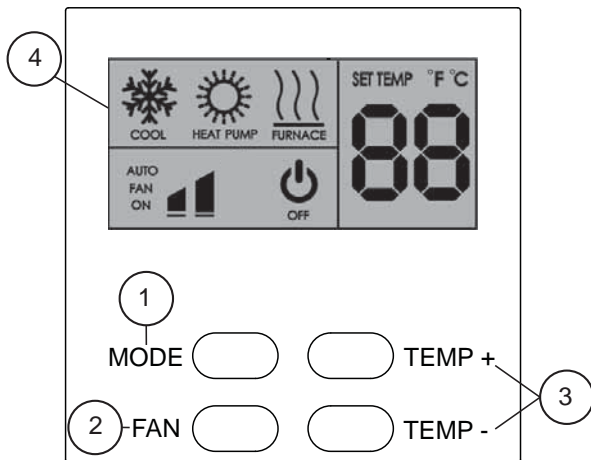
### Installation du thermostat et de la commande principale (suite)

17. Fixez la base du thermostat au mur en utilisant les vis fournies.
18. Insérez les fils dénudés et étiquetés dans les cosses correspondantes puis serrez les vis du conducteur électrique lorsque l'alignement est réalisé. Consultez la section « Schémas de câblage » dans ce manuel.

**⚠ ATTENTION** Assurez-vous que la partie exposée des fils ne touche pas aux autres fils.

19. Tirez délicatement chaque fil pour vous assurer qu'il est bien raccordé. Assurez-vous que chaque fil est raccordé au conducteur électrique approprié.
20. Pour les modèles de thermopompes (ARH15AAC\_), basculez l'interrupteur no 1 à la position « ON » (mise en marche) (consultez la figure explicative à la page 12).
21. Réinstallez le couvercle du thermostat en alignant le couvercle puis en enclenchant la partie inférieure en place.
22. Mettez le système en service depuis le coffret de branchement principal.
23. Effectuez un essai du thermostat comme décrit au chapitre « Essai du thermostat ».

# Commandes (RARWT\_ \_)



## 1. Bouton Mode

Utilisez ce bouton pour basculer entre les modes suivants.



**OFF (arrêt)** – Le climatiseur et la chaudière du VR ne fonctionneront pas.



**FAN ONLY (ventilateur uniquement)** – Le ventilateur fonctionnera pour faire circuler l'air.



**COOL (fraîcheur)** – Le climatiseur fonctionnera pour abaisser la température du VR

**REMARQUE** : utilisez les modes HEAT-PUMP (thermopompe) uniquement avec le modèle ARH15AAC\_ (consultez le manuel d'utilisation du climatiseur pour VR).

Activez les modes HEAT-PUMP en mettant à ON le commutateur DIP n° 1 situé sur l'arrière du thermostat (consultez le schéma de principe).

## Commandes et fonctions de fonctionnement (RARWT\_...)

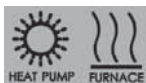
---

### 1. Bouton Mode (suite)



**HEAT PUMP ONLY** – l'appareil actionnera la thermopompe pour augmenter la température du VR.

**REMARQUE:** si la température ambiante extérieure descend sous 25 °F (-4 °C), la thermopompe sera désactivée.



**HEAT PUMP + FURNACE** – l'appareil commencera par actionner la thermopompe pour conserver le propane. Si la température du VR s'écarte de plus de 3 °F du point de consigne, alors la chaudière du VR sera mise en marche.

**REMARQUE :** la chaudière se met automatiquement en marche si la température extérieure descend sous 25 °F (-4 °C) ou si la thermopompe commence un dégivrage.



**FURNACE ONLY** – La chaudière du VR s'actionnera pour augmenter la température. Ce mode peut être désactivé en faisant basculer le commutateur n° 4 à la position « ON » sur le thermostat.

### 2. Bouton de ventilateur

Utilisez ce bouton pour basculer entre les vitesses et modes de ventilateur.



**FAN ON** – le ventilateur fonctionnera même si le point de consigne a été atteint.



**AUTO FAN** – le ventilateur s'éteindra si le point de consigne a été atteint.

### 3. Boutons de sélection de la température

Utilisez ces boutons pour augmenter et abaisser le point de consigne.

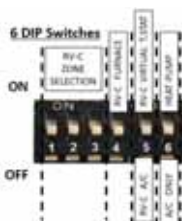


Pour basculer entre Fahrenheit (°F) et Celsius (°C), tenez simultanément « TEMP+ » et « TEMP- » pendant deux secondes.

## Fonctions de commande et d'exploitation (RAREC1A)

Zone selection...

Switch #1	Switch #2	Switch #3	
ON	OFF	OFF	= Zone 1 (1)
OFF	ON	OFF	= Zone 2 (2)
OFF	OFF	ON	= Zone 3 (3)
ON	OFF	ON	= Zone 4 (1+3)
OFF	ON	ON	= Zone 5 (2+3)
ON	ON	ON	= Zone 6 (1+2+3)
ON	ON	OFF	= Zone 7
OFF	OFF	OFF	= Zone 8



#4	#5	#6	RV-C PRODUCT TYPE	DSA (FOR ALL ZONES)	Dynamic Address Range
OFF	OFF	Either	RV-C AIR CONDITIONER (& HP)	103 (67h)	132-207 (COH - CFH)
ON	OFF	Either	RV-C AIR CONDITIONER (& HP) and RV-C FURNACE	103 (67h)	
OFF	ON	Either	RV-C VIRTUAL THERMOSTAT with A/C Status (& HP)	88 (56h)	
ON	ON	Either	RV-C VIRTUAL THERMOSTAT with A/C Status (& HP) with FURNACE Status	103 (67h)	
OFF	OFF	Either	RV-C AIR CONDITIONER (& HP)	94 (5Eh)	
ON	OFF	Either	RV-C AIR CONDITIONER (& HP) and RV-C FURNACE	94 (5Eh)	
OFF	ON	Either	RV-C VIRTUAL THERMOSTAT with A/C Status (& HP)	88 (56h)	
ON	ON	Either	RV-C VIRTUAL THERMOSTAT with A/C Status (& HP) with FURNACE Status	103 (67h)	

Si le commutateur n° 5 est activé (méthode RV-C Virtual T.Stat), un kit de sonde d'ambiance RARES1A sera nécessaire

## Fonctions de commande et d'exploitation (RAREC2A)

SW 10 (10)	GL (See Note)	GH (See Note)	Y (Comp)	W (Burnout)	HP (If HP is ON, then HP defaults are allowed)	SEA Fan Speed	SEA Mode
0	---	---	---	---	---	---	---
1	---	---	---	---	---	---	---
2	---	---	---	---	---	---	---
3	---	---	---	---	---	---	---
4	---	---	---	---	---	---	---
5	---	---	---	---	---	---	---
6	---	---	---	---	---	---	---
7	---	---	---	---	---	---	---
8	---	---	---	---	---	---	---
9	---	---	---	---	---	---	---
10	---	---	---	---	---	---	---
11	---	---	---	---	---	---	---
12	---	---	---	---	---	---	---
13	---	---	---	---	---	---	---
14	---	---	---	---	---	---	---
15	---	---	---	---	---	---	---
16	---	---	---	---	---	---	---
17	---	---	---	---	---	---	---
18	---	---	---	---	---	---	---
19	---	---	---	---	---	---	---
20	---	---	---	---	---	---	---
21	---	---	---	---	---	---	---
22	---	---	---	---	---	---	---
23	---	---	---	---	---	---	---
24	---	---	---	---	---	---	---
25	---	---	---	---	---	---	---
26	---	---	---	---	---	---	---
27	---	---	---	---	---	---	---
28	---	---	---	---	---	---	---
29	---	---	---	---	---	---	---
30	---	---	---	---	---	---	---
31	---	---	---	---	---	---	---
32	---	---	---	---	---	---	---
33	---	---	---	---	---	---	---
34	---	---	---	---	---	---	---
35	---	---	---	---	---	---	---
36	---	---	---	---	---	---	---
37	---	---	---	---	---	---	---
38	---	---	---	---	---	---	---
39	---	---	---	---	---	---	---
40	---	---	---	---	---	---	---
41	---	---	---	---	---	---	---
42	---	---	---	---	---	---	---
43	---	---	---	---	---	---	---
44	---	---	---	---	---	---	---
45	---	---	---	---	---	---	---
46	---	---	---	---	---	---	---
47	---	---	---	---	---	---	---
48	---	---	---	---	---	---	---
49	---	---	---	---	---	---	---
50	---	---	---	---	---	---	---
51	---	---	---	---	---	---	---
52	---	---	---	---	---	---	---
53	---	---	---	---	---	---	---
54	---	---	---	---	---	---	---
55	---	---	---	---	---	---	---
56	---	---	---	---	---	---	---
57	---	---	---	---	---	---	---
58	---	---	---	---	---	---	---
59	---	---	---	---	---	---	---
60	---	---	---	---	---	---	---
61	---	---	---	---	---	---	---
62	---	---	---	---	---	---	---
63	---	---	---	---	---	---	---
64	---	---	---	---	---	---	---
65	---	---	---	---	---	---	---
66	---	---	---	---	---	---	---
67	---	---	---	---	---	---	---
68	---	---	---	---	---	---	---
69	---	---	---	---	---	---	---
70	---	---	---	---	---	---	---
71	---	---	---	---	---	---	---
72	---	---	---	---	---	---	---
73	---	---	---	---	---	---	---
74	---	---	---	---	---	---	---
75	---	---	---	---	---	---	---
76	---	---	---	---	---	---	---
77	---	---	---	---	---	---	---
78	---	---	---	---	---	---	---
79	---	---	---	---	---	---	---
80	---	---	---	---	---	---	---
81	---	---	---	---	---	---	---
82	---	---	---	---	---	---	---
83	---	---	---	---	---	---	---
84	---	---	---	---	---	---	---
85	---	---	---	---	---	---	---
86	---	---	---	---	---	---	---
87	---	---	---	---	---	---	---
88	---	---	---	---	---	---	---
89	---	---	---	---	---	---	---
90	---	---	---	---	---	---	---
91	---	---	---	---	---	---	---
92	---	---	---	---	---	---	---
93	---	---	---	---	---	---	---
94	---	---	---	---	---	---	---
95	---	---	---	---	---	---	---
96	---	---	---	---	---	---	---
97	---	---	---	---	---	---	---
98	---	---	---	---	---	---	---
99	---	---	---	---	---	---	---
100	---	---	---	---	---	---	---



Le commutateur n° 1 spécifie la vitesse de ventilateur par défaut en mode HP si GL ou GH n'est pas spécifié.

Le commutateur n° 2 spécifie si un signal « Y » est requis pour le mode HP.

## Dagnostic à bord (RARWT\_ \_)



### Détection d'une basse tension :

Si la tension 12 VCC chute sous 10,5 V, le thermostat passe en mode « OFF » (arrêt) et l'indication « Lo »

clignotera.

Lorsque la tension dépasse 10,5 V, l'affichera « Lo » de façon continue et restera en mode « OFF » jusqu'à ce qu'un autre mode soit sélectionné par l'utilisateur.



### Prévention du gel du climatiseur :

En mode COOL, une icône de flocon clignote, ce qui indique que le serpentin intérieur est proche du point de congélation et que le compresseur a été désactivé.

Il est recommandé d'augmenter le débit d'air en nettoyant le filtre et les événements d'ouverture.



### Dégivrage automatique de la thermopompe:

Dans les modes HEAT-PUMP, une icône HEAT-PUMP clignote, ce qui indique que l'appareil est en train de réaliser un dégivrage automatique.

En mode HEAT-PUMP+FURNACE, pendant le dégivrage automatique, l'appareil utilisera la chaudière.



### Verrouillage de la thermopompe :

En mode HEAT-PUMP ONLY (thermopompe uniquement), une icône HEAT-PUMP clignote ET 25

°F (-4 °C), ce qui indique que la température extérieure a chuté sous 25 °F (-4 °C) et que la thermopompe est verrouillée.

Il est recommandé d'utiliser le mode HEAT-PUMP+FURNACE ou FURNACE ONLY lorsque les températures prévues sont inférieures à 25 °F (-4 °C).

## Diagnostic à bord (RARWT\_ \_)



### Surchauffe de la thermopompe :

En mode HEAT-PUMP (thermopompe), une icône HEAT-PUMP clignote ET 99 °F (99 °C), ce qui indique que le serpentin extérieur a atteint une température supérieure à 135 °F (-58 °C) et que la thermopompe a été arrêtée.

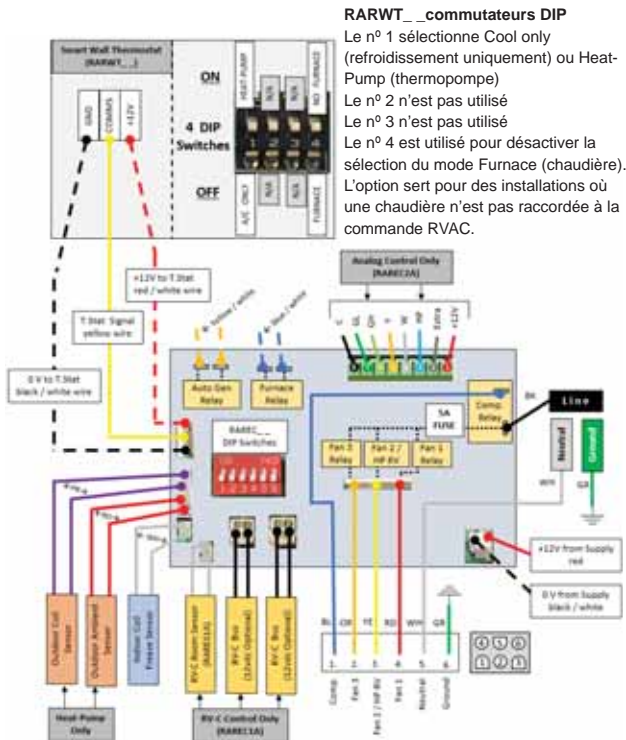
Il est recommandé d'augmenter le débit d'air en nettoyant le filtre et les événements d'ouverture.

## Codes d'erreurs (RARWT\_ \_)

Codes d'erreur			
	Code affiché	Capteur touché	Cause possible
Tous les modèles	F1	Serpentin intérieur	Capteur débranché ou temp. supérieure à -22 °F (-30 °C)
	F2	Serpentin intérieur	Fils court-circuités ou temp. supérieure à -22 °F (-30 °C)
Modèles de thermopompe	F3	Serpentin extérieur	Capteur débranché ou temp. inférieure à -22 °F (-30 °C)
	F4	Serpentin extérieur	Fils court-circuités ou temp. supérieure à -149 °F (-65 °C)
Commutateur DIP 1 ON	F5	Temp. extérieure	Capteur débranché, ou commutateur DIP réglé à « ON » pour les modèles à climatisation uniquement. Temp. Inférieure à -22 °F (-30 °C)
	F6	Temp. extérieure	Fils court-circuités ou temp. supérieure à -149 °F (-65 °C)
Tous les modèles	F7	Capteur de pièce Thermostat	Capteur débranché ou temp. inférieure à -22°F (-30 °C)
	F8	Capteur de pièce Thermostat	Fils court-circuités ou temp. supérieure à -149°F (-65°C)
	F9 -- FC	Fil de signal	Le fil de signal de thermostat est débranché ou court-circuité (ne communique pas avec la commande principale)

# Schémas de câblage

Tableau 1 : Cosses pour trois fils de la première phase de chauffage/première phase de climatisation.



# Essai du thermostat

---

**Vous devriez effectuer un essai de fonctionnalité après avoir installé le thermostat.**

**REMARQUE:** Avant d'effectuer l'essai du thermostat, appuyez sur le bouton « Fan Auto/On » (ventilateur automatique/mise en marche) jusqu'à ce que l'afficheur indique la position « Auto » (automatique).

## Essai du ventilateur

1. Pendant que l'interruption de fonction (Function) est éteint (Off), déplacez l'interrupteur de ventilation automatique/mise en marche (Fan Auto/on) en position automatique (Auto).
2. Le ventilateur intérieur s'allume.
3. Mettez l'interrupteur de ventilation automatique/en marche (Fan Auto/On) à la position automatique (Auto).
4. Le ventilateur intérieur s'éteint.

## Essai de la climatisation

1. Basculez le bouton Mode jusqu'à ce que le mode de climatisation se mette en marche. L'afficheur indique le mode « Cool » (climatisation) en vert.
2. Réglez le point de consigne de la température de manière à ce qu'il soit de 5 degrés sous la température de la pièce.
3. La climatisation devrait commencer en quelques secondes.
4. Réglez le point de consigne de la température de manière à ce qu'il soit de 2 degrés au-dessus de la température de la pièce pour que la climatisation s'arrête.

## Essai de la thermopompe (modèles ARH seulement)

1. Faites basculer le bouton « Mode » jusqu'à ce que le mode « Heat pump » (thermopompe) soit en marche. L'écran de la thermopompe s'affiche.
2. Réglez la valeur de consigne de la température de manière à ce qu'elle se situe à cinq (5) degrés au-dessus de la température de la pièce.
3. Le chauffage devrait commencer en quelques secondes.
4. Réglez la valeur de consigne de la température de manière à ce qu'elle se situe à deux (2) degrés sous la température de la pièce et la thermopompe s'arrêtera.

**REMARQUE :** Il y a un délai de trois (3) minutes et une durée de fonctionnement de trois (3) minutes minimum avant la mise en marche ou l'arrêt du compresseur



# Essai du thermostat

---

## Essai du générateur de chaleur

1. Basculez le bouton Mode jusqu'à ce que le générateur de chaleur se mette en marche. L'afficheur indique le mode « Furnace » (générateur de chaleur) en vert.
2. Réglez le point de consigne de la température de manière à ce qu'il soit de 5 degrés au-dessus la température de la pièce.
3. Réglez le point de consigne de la température de manière à ce qu'il soit de 2 degrés sous la température de la pièce pour que le chauffage arrête.

## Conseils de dépannage

Problem	Solution
Aucun affichage	Assurez-vous que la tension est de 12 VCC; l'afficheur ne fonctionnera pas sans cette tension.
Aucun bouton du thermostat ne fonctionne.	Assurez-vous que la tension est de 12 VCC; l'appareil ne fonctionnera pas sans cette tension.
Le ventilateur et le compresseur ne se mettent pas en marche	Assurez-vous qu'une tension de 115 VCA est présente.
Le ventilateur ne se met pas en marche, mais le compresseur ne se met pas en marche	ALORS QUE L'ALIMENTATION EST COUPÉE, s'assurer que rien n'obstrue la pale de ventilateur et qu'elle tourne librement. Vérifiez le fusible de 5A sur la carte
Le ventilateur ne s'arrête pas.	Vérifiez le réglage du ventilateur (Fan). Le ventilateur fonctionnera continuellement si le réglage est à ON (en marche).
La température de la pièce est erronée.	Assurez-vous que tous les trous sont bouchés avec du mastic ou un isolant afin d'éviter l'infiltration d'air dans la cavité du mur. Réglez la température compensée (consultez le chapitre Mode de configuration - température compensée de la pièce).
Le compresseur ne fonctionne pas ou s'éteint immédiatement après une modification de fonction ou de réglage.	Il y a une temporisation de trois (3) minutes et un temps de fonctionnement minimum de trois (3) minutes pour le compresseur lorsqu'il se met en marche et s'arrête.
Le ventilateur ne fonctionne pas ou s'éteint immédiatement après une modification de fonction ou de réglage.	Ceci est normal. Pour certains modèles, le ventilateur a une temporisation minimum entre la mise en marche et l'arrêt.
F5 clignote sur le thermostat mural	Avec un modèle à refroidissement uniquement, assurez-vous que le commutateur DIP n° 1 à l'arrière du thermostat mural est en position OFF. (Consultez le schéma de principe) Avec un modèle de thermopompe, vérifiez pour voir si le capteur de température est débranché ou endommagé.

# GARANTIE LIMITÉE DU THERMOSTAT

Brochez votre reçu ici. Une preuve de la date d'achat originale est nécessaire pour valider la garantie.

## Période de la garantie : GE Appliances remplacera :

### Un (1) an

À compter de la date du premier achat.

Remplacement complet du thermostat comportant un défaut de matériaux ou de fabrication.

Pour obtenir de l'aide concernant les problèmes, appelez au 1 844 GEA-PTAT (ou 1 844 434-7822).

## Ce que GE Appliances ne couvre pas :

- Frais de déplacement pour réparation vers votre emplacement.
- Une installation mal effectuée. Si vous avez un problème d'installation, communiquez avec votre installateur. Vous êtes responsable d'effectuer correctement les raccords électriques de votre produit.
- Une défectuosité du produit causée par des modifications au produit ou par son usage déraisonnable, y compris le défaut d'effectuer des entretiens raisonnables et nécessaires.
- Dans les locaux commerciaux, la main-d'œuvre nécessaire pour déplacer l'appareil, après son installation initiale, à un endroit où il est accessible pour l'entretien par un technicien individuel; ou, si les instructions contenues dans ce manuel n'ont pas été respectées.
- Le remplacement des fusibles ou l'enclenchement des disjoncteurs du site.
- Les bris du produit causés par une tension d'alimentation électrique inadéquate, un accident, un incendie, les inondations et les cas de force majeure.
- Les dommages accessoires ou immatériels causés par des probabilités de défectuosités avec ce thermostat.

**EXCLUSION DES GARANTIES IMPLICITES - Votre seul et unique recours est l'échange du produit comme prévu dans cette garantie limitée. Toute garantie implicite, y compris les garanties implicites de qualité marchande ou d'adaptation à un usage particulier, est limitée à un (1) an ou à la période la plus courte permise par la loi.**

Cette garantie limitée est consentie à son premier acheteur et à tout propriétaire subséquent pour les produits achetés pour utilisation aux États-Unis et au Canada. En Alaska, la garantie limitée exclut les frais d'expédition ou les appels de service vers votre site. Certains États ou provinces n'autorisent pas l'exclusion ou la limitation des dommages accessoires ou immatériels. Cette garantie limitée vous donne des droits légaux spécifiques, et vous pouvez également avoir d'autres droits qui varient d'un état ou d'une province à l'autre. Pour connaître vos droits légaux, consultez votre bureau d'information aux consommateurs local, provincial ou d'État ou le procureur général de votre État.

**Garant : GE Appliances, Louisville, KY 40225**

# Soutien au consommateur

---

## Site Web de GE Appliances

Vous avez une question ou vous avez besoin d'aide pour votre appareil électroménager? Visitez le site Web de GE Appliances 24 heures par jour, tous les jours de l'année! Vous pouvez aussi y trouver d'autres formidables produits GE Appliances et tirer avantage de tous nos services d'assistance en ligne. Aux États-Unis : [GEAppliances.com](http://GEAppliances.com)

---

## Enregistrez votre électroménager

Enregistrez votre nouvel appareil en ligne au moment qui vous convient le mieux! L'enregistrement de votre produit dans les délais prescrits permet une meilleure communication et un service rapide, selon les modalités de votre garantie, si besoin est. Vous pouvez également envoyer par courrier la carte d'enregistrement pré-imprimée qui se trouve dans l'emballage de votre appareil.  
Aux États-Unis : [GEAppliances.com/register](http://GEAppliances.com/register)

---

## Service de réparation

Un service de réparation expert GE Appliances se trouve à quelques pas de chez vous. Rendez-vous sur notre site et programmez, à votre convenance, une visite de réparation à n'importe quel jour de l'année.  
Aux États-Unis : [GEAppliances.com/service](http://GEAppliances.com/service) ou composez le 800.432.2737 durant les heures normales de bureau.

---

## Prolongation de garantie

Procurez-vous une prolongation de garantie GE Appliances et informez-vous des rabais spéciaux en vigueur pendant la durée de votre garantie. Vous pouvez vous la procurer en ligne en tout temps. Les services GE Appliances seront toujours disponibles après l'expiration de la garantie. Aux États-Unis : [GEAppliances.com/extended-warranty](http://GEAppliances.com/extended-warranty) ou composez le 800.626.2224 durant les heures normales de bureau.

---

## Connectivité à distance

Pour de l'assistance concernant la connectivité au réseau sans fil (pour les modèles équipés de cette fonction), visitez notre site Web au [GEAppliances.com/connected-home-smart-appliances](http://GEAppliances.com/connected-home-smart-appliances) ou composez le 800.220.6899 aux États-Unis seulement.

---

## Pièces et accessoires

Les personnes ayant les compétences requises pour réparer elles-mêmes leurs appareils peuvent recevoir directement à la maison des pièces ou accessoires (les cartes VISA, MasterCard et Discover sont acceptées). Commandez en ligne 24 heures par jour.

Aux États-Unis : [GEApplianceparts.com](http://GEApplianceparts.com) ou par téléphone au 877.959.8688 durant les heures normales de bureau.

**Les instructions contenues dans le présent manuel comportent des procédures que tout utilisateur peut effectuer. Les autres types de réparation doivent généralement être confiés à un technicien qualifié. Usez de prudence : une réparation ou un entretien mal effectués peuvent rendre l'utilisation de l'appareil dangereuse.**

---

## Communiquez avec nous

Si vous n'êtes pas satisfait du service après-vente de GE Appliances, communiquez avec nous depuis notre site Web en fournissant tous les détails dont votre numéro de téléphone, ou écrivez à :

Aux États-Unis : General Manager, Customer Relations | GE Appliances, Appliance Park | Louisville, KY 40225

[GEAppliances.com/contact](http://GEAppliances.com/contact)



**MANUAL DEL PROPIETARIO & Instrucciones de Instalación**

RV

Single Zone

# TERMOSTATO

- RARWT\_ \_ (Single Zone Smart T.Stat)
- RARMC\_ \_ (Smart T.Stat Ceiling Control)
- RAREC1\_ (RV-C or Smart T.Stat Control)
- RAREC2\_ (Analog or Smart T.Stat Control)

### Información importante

de seguridad.....	3
Instrucciones de Instalación.....	4
Controles .....	8
Controles y Funciones de Uso .....	9
Diagnóstico a bordo .....	11
Códigos de Fallas .....	12
Diagramas de Cableado .....	13
Prueba del termostato .....	14
Consejos para la Solución de Problemas.....	16
Garantía Limitada .....	17
Soporte para el Consumidor.....	18

Escriba los números de modelo y de serie aquí:  
 N° de Modelo \_\_\_\_\_  
 N° de Serie \_\_\_\_\_  
 Estos números se encuentran en una etiqueta al costado del acondicionador de aire.

## **GRACIAS POR HACER QUE GE APPLIANCES SEA PARTE DE SU HOGAR.**

---

Ya sea que haya crecido usando GE Appliances, o que ésta es su primera vez, nos complace tenerlo en la familia.

Sentimos orgullo por el nivel de arte, innovación y diseño de cada uno de los electrodomésticos de GE Appliances, y creemos que usted también. Entre otras cosas, el registro de su electrodoméstico asegura que podamos entregarle información importante del producto y detalles de la garantía cuando los necesite.

Registre su electrodoméstico GE ahora a través de Internet. Sitios Web y números telefónicos útiles están disponibles en la sección de Soporte para el Consumidor de este Manual del Propietario.



**GE APPLIANCES**

# INFORMACIÓN IMPORTANTE DE SEGURIDAD

## LEA TODAS LAS INSTRUCCIONES ANTES DE USAR ESTE ELECTRODOMÉSTICO

### **⚠ ADVERTENCIA** RIESGO DE INCENDIOS Y DESCARGAS

- Siempre apague el encendido desde el suministro de corriente principal antes de instalar, limpiar o retirar el termostato.
- No usar con voltajes superiores a 12 VDC. Un voltaje superior dañará el termostato y podrá ocasionar riesgos de descargas o incendios.
- Todo el cableado deberá estar instalado de acuerdo con los códigos eléctricos y de construcción locales y nacionales.
- Sólo use este termostato como se describe en este manual.

## Especificaciones

### Especificaciones Eléctricas:

12 VCC (Rango Operativo entre 10.5 VCC - 15.5 VCC)

	Rangos Operativos		Rangos de Valor Nominal	
Refrigeración	60°F–115°F	15°C–46°C	60°F–85°F	15°C–30°C
Bomba de Calor	25°F–85°F	-4°C–30°C	40°F–85°F	5°C–30°C
Calentador	See Owner's Manual		40°F–85°F	5°C–30°C

### Terminaciones del Termostato de Pared:

0V (TIERRA), Señal (COMMS), +12VDC

### Tamaños Recomendados de Cables:

CIRCUITO	CALIBRE DEL CABLE	Tipo de Cable de Cobre
Control de Corriente de 115VAC	12awg	SÓLIDO
Control de Corriente de 12 VCC	14awg~18awg	TRENZADO
Termostato de 12 VCC	18awg~22awg	SÓLIDO

	CONEXIONES DE COMUNICACIÓN			Sensor de Sala Compatible RV-C (RARES1_)	Conexión del Calentador Auxiliar	Conexión de Encendido de Gen. Automático
	Termostato de Pared GEA Smart (RARWT_)	Termostato de Pared Análogo de 5 Cables	RV-C Rojo			
RARMC2A_	X				X	
RAREC1A_	X		X	X	X	X
RAREC2A_	X	X			X	X

# Instrucciones de Instalación

## **⚠ AVERTISSEMENT** RIESGO DE DESCARGA ELÉCTRICA

Apague el encendido retirando el fusible o pasando el disyuntor adecuado a la posición OFF (Apagado) antes de retirar el termostato existente.

### Contenidos del Paquete

- Termostato sobre la tapa
- Base el termostato
- Tornillos

### Herramientas Necesarias

- Agujeree con una Broca de 1/8"
- Martillo
- Agujeree con una Broca de 3/16"
- Destornillador

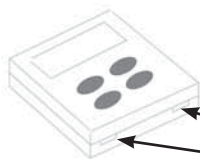
### Para Retirar el Termostato Existente

1. Apague el sistema de calefacción o refrigeración, retirando el fusible o desactivando el disyuntor adecuado.
2. Retire la tapa del termostato anterior. Esto debería exponer el cableado.
3. Etiquete los cables existentes con las etiquetas para cables adjuntas antes de retirar los cables.
4. Luego de etiquetar los cables, retire los mismos de las terminales de cables.
5. Retire la base del termostato existente de la pared.



# Instrucciones de Instalación

---



Aplique un destornillador o bolígrafo aquí para abrir el termostato.

## Para Instalar el Termostato y el Control Principal

**IMPORTANTE:** La instalación del termostato deberá ser realizada de acuerdo con los códigos y ordenanzas de edificación y electricidad locales y nacionales.

**NOTA:** Monte el termostato aproximadamente unos cinco pies por encima del suelo. No monte el termostato sobre una pared exterior, en contacto directo con la luz del sol, detrás de una puerta o en un área afectada por una ventilación o conducto.

1. Apague el sistema de calefacción o refrigeración, retirando el fusible o desactivando el disyuntor adecuado.
2. Monte la caja de control principal a la plantilla de montaje usando cuatro tornillos.
3. Retire los tres tornillos de la caja de control principal, permitiendo que la sección inferior se sostenga abierta sobre las bisagras. El tablero de control está ahora visible y accesible.
4. Enrute el cable de corriente de 115 VAC a través del aliviador de tensión de la caja de control. Ajuste el aliviador de tensión, asegurándose de no dañar los cables.
5. Utilizando los conectores de cables provistos, conecte la línea al negro, el neutro al blanco, y el cable a tierra al verde.
6. Utilizando cinta eléctrica o tuercas para cables, asegure los conectores a fin de evitar cualquier posible movimiento debido a vibraciones del vehículo.
7. Enrute el conector de 6 clavijas a través de la abertura del aliviador de tensión encajado de la caja de control. Empareje el conector de 6 clavijas con el arnés del cableado de la caja de control.

## Instrucciones de Instalación

### Para Instalar el Termostato y el Control Principal (continúa)

8. Empareje los termistores con las interconexiones correspondientes del tablero principal. Los mismos quedarán atados con el conector de 6 clavijas en la unidad de techo. En los modelos ARC, se deberá realizar una conexión (sensor con bobina interior). En los modelos ARN, se deberá realizar una conexión adicional (sensor con bobina ambiente/ exterior).
9. Utilizando los conectores para cables provistos, conecte 2 cables de horno (azul), 3 cables de termostato (rojo, amarillo, negro), y dos cables para batería de 12 VDC (rojo y negro).
10. Gire la sección inferior de la caja de control hacia arriba, asegurándose de no aplastar ningún cable. Conduzca tres tornillos, asegurándose de que la caja de control esté cerrada. La instalación del control principal se encuentra ahora completa.
11. Retire la tapa de la base, aflojando los dos broches de plástico de la parte inferior de la base. Se podrá usar un destornillador pequeño o un bolígrafo para oprimir levemente un broche por vez (utilice como referencia la figura de la página 5).
12. Coloque la base del termostato contra la pared sobre la cual planea montar el mismo. Asegúrese de que los cables sean alimentados a través de la abertura de cables en la base del termostato.
13. Con la base nivelada, marque la ubicación de los agujeros de montaje.
14. Configure la base del termostato y la tapa en un lugar alejado del área de trabajo.
15. Usando una broca de 1/8", perfora agujeros piloto en las ubicaciones que marcó para los tornillos de madera.
16. Alinee la base del termostato con los agujeros de montaje y alimente los cables del control a través de la abertura de los cables.

## Instrucciones de Instalación

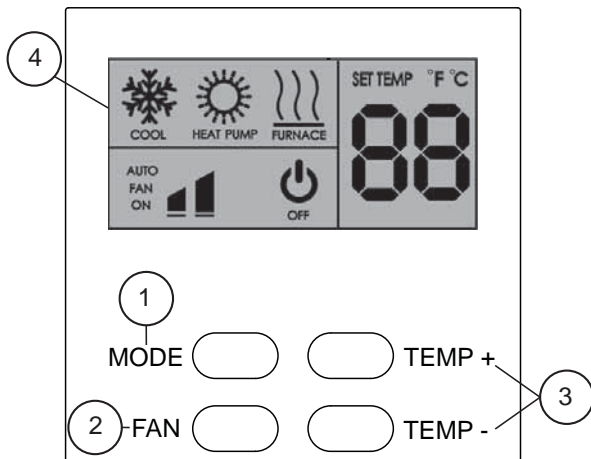
### Para Instalar el Termostato y el Control Principal (continúa)

17. Use los tornillos suministrados para montar la base del termostato a la pared.
18. Inserte los cables pelados y etiquetados de modo que coincidan con las terminales de los cables, presionando sobre el contacto de la terminal correspondiente. Consulte la sección de “Diagramas del Cableado” de este manual.

**⚠ PRECAUCIÓN** Asegúrese de que la parte expuesta de los cables no tenga contacto con otros cables.

19. De forma suave, estire cada cable para asegurarse de que la conexión sea apropiada. Verifique que cada cable se encuentre conectado a la terminal correcta.
20. En los modelos con Bomba de Calentamiento (ARH15AAC\_), coloque el interruptor n°1 en la posición de encendido (utilice como referencia la figura 12).
21. Vuelva a adherir la tapa del termostato, alineando la tapa y calzando la parte inferior en su posición.
22. Active la corriente en el sistema desde el panel de servicio principal.
23. Controle el funcionamiento del termostato como se describe en la sección “Control del Termostato”.

# Controles (RARWT\_ \_)



## 1. Botón de Modo

Use este botón para alternar entre los siguientes modos.



**OFF** – El acondicionador de aire y el horno del vehículo recreativo (RV) no funcionarán.



**FAN ONLY** – El ventilador hará circular aire.



**COOL** – El acondicionador de aire hará que se reduzca la temperatura del vehículo recreativo (RV).

**NOTA:** Sólo use los modos HEAT-PUMP (Bomba de Calor) con el modelo de exterior ARH15AAC\_ (consulte el Manual del Propietario del Acondicionador de Aire del Vehículo Recreativo).

Active los modos HEAT-PUMP (Bomba de Calor) girando el interruptor DIP n° 1 hacia ON (Encendido), ubicado en la parte trasera del termostato (consulte el Diagrama del Cableado).

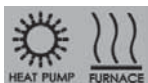
# Controles y Funciones de Uso (RARWT\_ \_)

## 1. Botón de Modo (continúa)



**HEAT PUMP ONLY** – la unidad hará funcionar la bomba de calor a fin de elevar la temperatura del vehículo recreativo (RV).

**NOTA:** Si la temperatura exterior desciende por debajo de los 25°F (-4°C), la bomba de calor quedará desactivada.



**HEAT PUMP + FURNACE** – la unidad usará primero la bomba de calor a fin de conservar el propano. Si la temperatura del RV varía en más de 3°F desde el punto de configuración, entonces su calentador pasará a ON.

**NOTA:** El calentador pasará a ON de forma automática si la temperatura exterior desciende por debajo de 25°F (-4°C) o si la Bomba de Calor inicia el proceso de descongelación.



**FURNACE ONLY** – el calentador del RV elevará la temperatura de este último. Este modo se podrá desactivar pasando el interruptor n° 4 del termostato a la posición “ON”.

## 2. Botón del Ventilador

Use este botón para alternar entre las velocidades y modos del ventilador.



**FAN ON** – el ventilador funcionará incluso aunque se haya alcanzado el punto de configuración.



**AUTO FAN** – el ventilador se apagará una vez que se haya alcanzado el punto de configuración.

## 3. Botones de Selección de Temperatura

Use estos botones para incrementar o reducir el punto de configuración.

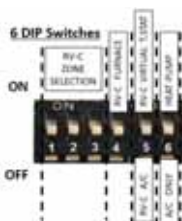


Para alternar entre Fahrenheit (°F) y Celsius (°C), mantenga presionados “TEMP +” y “TEMP -” al mismo tiempo durante 2 segundos

# Funciones de Control y Uso (RAREC1A)

Zone selection

Switch #1	Switch #2	Switch #3	
ON	OFF	OFF	= Zone 1 (1)
OFF	ON	OFF	= Zone 2 (2)
OFF	OFF	ON	= Zone 3 (3)
ON	OFF	ON	= Zone 4 (1+3)
OFF	ON	ON	= Zone 5 (2+3)
ON	ON	ON	= Zone 6 (1+2+3)
ON	ON	OFF	= Zone 7
OFF	OFF	OFF	= Zone 8



Si el Interruptor n° 5 está en ON (Encendido) (Método RV-C Virtual T.Stat), será necesario contar con un kit de sensor de sala RARES1A

#4	#5	#6	RV-C PRODUCT TYPE	DSA (FOR ALL ZONES)	Dynamic Address Range
OFF	OFF	Either	RV-C AIR CONDITIONER (& HP)	103 (67h)	192 - 207 (C0h - CFh)
ON	OFF	Either	RV-C AIR CONDITIONER (& HP) and RV-C FURNACE	103 (67h)	
OFF	ON	Either	RV-C VIRTUAL THERMOSTAT with A/C Status (& HP)	98 (58h)	
ON	ON	Either	RV-C VIRTUAL THERMOSTAT with A/C Status (& HP)	103 (67h)	
OFF	ON	Either	RV-C VIRTUAL THERMOSTAT with FURNACE Status	98 (58h)	
ON	ON	Either	RV-C VIRTUAL THERMOSTAT with FURNACE Status	103 (67h)	

# Funciones de Control y Uso (RAREC2A)

SW #	GL	GH	Y	W	HP (If HP is ON, then HP defaults are allowed)	SEA Fan Speed	SEA Mode
0	---	---	---	---	---	---	---
1	---	---	---	---	---	---	---
2	---	---	---	---	---	---	---
3	---	---	---	---	---	---	---
4	---	---	---	---	---	---	---
5	---	---	---	---	---	---	---
6	---	---	---	---	---	---	---
7	---	---	---	---	---	---	---
8	---	---	---	---	---	---	---
9	---	---	---	---	---	---	---
10	---	---	---	---	---	---	---
11	---	---	---	---	---	---	---
12	---	---	---	---	---	---	---
13	---	---	---	---	---	---	---
14	---	---	---	---	---	---	---
15	---	---	---	---	---	---	---
16	---	---	---	---	---	---	---
17	---	---	---	---	---	---	---
18	---	---	---	---	---	---	---
19	---	---	---	---	---	---	---
20	---	---	---	---	---	---	---
21	---	---	---	---	---	---	---
22	---	---	---	---	---	---	---
23	---	---	---	---	---	---	---
24	---	---	---	---	---	---	---
25	---	---	---	---	---	---	---
26	---	---	---	---	---	---	---
27	---	---	---	---	---	---	---
28	---	---	---	---	---	---	---
29	---	---	---	---	---	---	---
30	---	---	---	---	---	---	---
31	---	---	---	---	---	---	---
32	---	---	---	---	---	---	---
33	---	---	---	---	---	---	---
34	---	---	---	---	---	---	---
35	---	---	---	---	---	---	---
36	---	---	---	---	---	---	---
37	---	---	---	---	---	---	---
38	---	---	---	---	---	---	---
39	---	---	---	---	---	---	---
40	---	---	---	---	---	---	---
41	---	---	---	---	---	---	---
42	---	---	---	---	---	---	---
43	---	---	---	---	---	---	---
44	---	---	---	---	---	---	---
45	---	---	---	---	---	---	---
46	---	---	---	---	---	---	---
47	---	---	---	---	---	---	---
48	---	---	---	---	---	---	---
49	---	---	---	---	---	---	---
50	---	---	---	---	---	---	---
51	---	---	---	---	---	---	---
52	---	---	---	---	---	---	---
53	---	---	---	---	---	---	---
54	---	---	---	---	---	---	---
55	---	---	---	---	---	---	---
56	---	---	---	---	---	---	---
57	---	---	---	---	---	---	---
58	---	---	---	---	---	---	---
59	---	---	---	---	---	---	---
60	---	---	---	---	---	---	---
61	---	---	---	---	---	---	---
62	---	---	---	---	---	---	---
63	---	---	---	---	---	---	---
64	---	---	---	---	---	---	---
65	---	---	---	---	---	---	---
66	---	---	---	---	---	---	---
67	---	---	---	---	---	---	---
68	---	---	---	---	---	---	---
69	---	---	---	---	---	---	---
70	---	---	---	---	---	---	---
71	---	---	---	---	---	---	---
72	---	---	---	---	---	---	---
73	---	---	---	---	---	---	---
74	---	---	---	---	---	---	---
75	---	---	---	---	---	---	---
76	---	---	---	---	---	---	---
77	---	---	---	---	---	---	---
78	---	---	---	---	---	---	---
79	---	---	---	---	---	---	---
80	---	---	---	---	---	---	---
81	---	---	---	---	---	---	---
82	---	---	---	---	---	---	---
83	---	---	---	---	---	---	---
84	---	---	---	---	---	---	---
85	---	---	---	---	---	---	---
86	---	---	---	---	---	---	---
87	---	---	---	---	---	---	---
88	---	---	---	---	---	---	---
89	---	---	---	---	---	---	---
90	---	---	---	---	---	---	---
91	---	---	---	---	---	---	---
92	---	---	---	---	---	---	---
93	---	---	---	---	---	---	---
94	---	---	---	---	---	---	---
95	---	---	---	---	---	---	---
96	---	---	---	---	---	---	---
97	---	---	---	---	---	---	---
98	---	---	---	---	---	---	---
99	---	---	---	---	---	---	---
100	---	---	---	---	---	---	---



El interruptor n° 1 especifica la velocidad del ventilador por omisión en el Modo HP, si GL o GH no son especificados.

El interruptor n° 2 especifica si se requiere una señal "Y" para el Modo HP.

## Diagnóstico a bordo (RARWT\_ \_)



### Detección de Bajo Voltaje:

Si los 12 VCC caen por debajo de 10.5V, el termostato pasará al modo "OFF" y parpadeará "Lo".

Cuando el voltaje supere los 10.5V, la pantalla mostrará "Lo" de forma constante y permanecerá en el modo "OFF" hasta que el usuario vuelva a seleccionar un modo diferente.



### Prevención de Congelación de Acondicionador de Aire:

En el modo COOL (Frío), un ícono de copo de nieve parpadeará indicando que la bobina interior se está por congelar, y que el compresor se apagó. Se recomienda incrementar el flujo de aire limpiando el filtro y la ventilaciones de la abertura.



### Descongelación Automática de la Bomba de Calor:

En los modos HEAT-PUMP (Bomba de Calor), un ícono parpadeará de HEAT-PUMP (Bomba de Calor) indicando que la unidad está realizando la descongelación automática.

En el modo HEAT-PUMP+FURNACE (Bomba de Calor + Calentador), mientras se está realizando la descongelación automática, la unidad usará el calentador.



### Bloqueo de la Bomba de Calor:

En el modo HEAT-PUMP ONLY (Sólo Bomba de Calor), un ícono parpadeará de HEAT-PUMP (Bomba de Calor) y 25°F (-4°C) indicarán que la temperatura

exterior descendió por debajo de los 25°F (-4°C) y que Heat- Pump (Bomba de Calor) está bloqueada.

Cuando se esperen temperaturas inferiores a 25°F (-4°C), se recomienda el uso del modo HEAT-PUMP+FURNACE (Bomba de Calor + Calentador) o FURNACE ONLY (Sólo Calentador).

## Diagnóstico a bordo (RARWT\_\_)



### Bomba de Calor por Encima de la Temperatura :

En los modos HEAT-PUMP (Bomba de Calor), un ícono parpadeante de HEAT-PUMP (Bomba de Calor) Y 99°F (99°C) indicarán que la bobina interior alcanzó una temperatura superior a 135°F (58°C) y que el compresor se apagó.

Se recomienda incrementar el flujo de aire limpiando el filtro y la ventilaciones de la abertura.

## Códigos de Fallas (RARWT\_\_)

Códigos de Falla			
	Código en Pantalla	Sensor Afectado	Causa Potencial
Todos los Modelos	F1	Bobinas Interiores	Sensor Desenchufado o temperatura superior a -22°F (-30°C)
	F2	Bobinas Interiores	Cables en corto o temperatura superior a 149°F (65°C)
Modelos con Bomba de Calor	F3	Bobina Exterior	Sensor Desenchufado o temperatura inferior a -22°F (-30°C)
	F4	Bobina Exterior	Cables en corto o temperatura superior a 149°F (65°C)
Interruptor DIP 1 ENCENDIDO	F5	Temperatura Exterior	Sensor desenchufado o Interruptor DIP 1 configurado en "ON" (Encendido) para el modelo de CA únicamente. Temperatura inferior a -22°F (-30°C)
	F6	Temperatura Exterior	Cables en corto o temperatura superior a 149°F (65°)
Todos los Modelos	F7	Sensor de Temperatura del Termostato	Sensor Desenchufado o temperatura inferior a -22°F (-30°C)
	F8	Sensor de Temperatura del Termostato	Sensor de Temperatura del Termostato Cables en corto o temperatura superior a 149°F (65°)
	F9 -- FC	Cable de Señal	El cable de señal del termostato está desenchufado o en corto (sin comunicación con el control principal)



# Diagramas de Cableado

Tabla 1: terminales para tres cables; sistema de 1 etapa de calor/ 1 etapa de refrigeración

## RARWT\_ Interruptores DIP

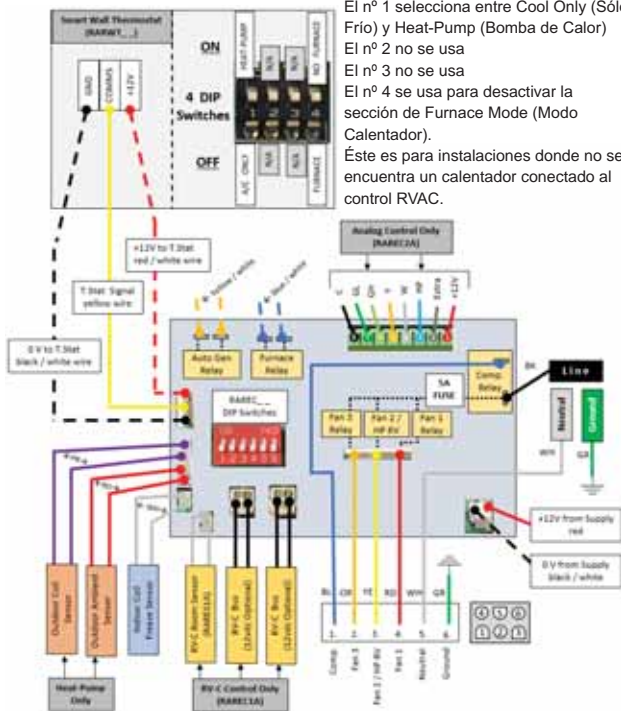
El nº 1 selecciona entre Cool Only (Sólo Frío) y Heat-Pump (Bomba de Calor)

El nº 2 no se usa

El nº 3 no se usa

El nº 4 se usa para desactivar la sección de Furnace Mode (Modo Calentador).

Éste es para instalaciones donde no se encuentra un calentador conectado al control RVAC.



## Prueba del termostato

---

**Una vez instalado el termostato, se deberá controlar su funcionamiento.**

**NOTA:** Antes de probar el termostato, presione el botón Fan Auto/On, hasta que la pantalla muestre la posición Auto.

### Prueba del Termostato

1. Alterne el botón Mode a la posición Fan ON.
2. El ventilador se enciende.
3. Alterne entre las velocidades del ventilador bajas y altas con el botón FAN.
4. La velocidad se deberá ajustar de forma consecuyente.

### Prueba de Frío

1. Alterne con el botón Mode hasta que el modo Cool se active. Se exhibe la pantalla del modo Cool.
2. Ajuste la temperatura configurada de modo que se encuentre 5 grados por debajo de la temperatura ambiente.
3. El acondicionamiento del aire se deberá comenzar a producir algunos segundos después.
4. Ajuste la temperatura configurada de modo que se encuentre 2 grados por encima de la temperatura ambiente, y el acondicionador de aire se deberá apagar.

**Nota:** Existe un retraso de 3 minutos y un tiempo de funcionamiento mínimo de 3 minutos del compresor cuando éste se enciende/ apaga.

## Prueba del termostato

---

### Prueba de la Bomba de Calor (sólo modelos ARH)

1. Alterne con el botón Mode hasta que el modo Heat Pump se active. Se exhibe en pantalla Heat Pump.
2. Ajuste la temperatura configurada de modo que se encuentre 5 grados por encima de la temperatura ambiente.
3. La calefacción se deberá comenzar a producir algunos segundos después.
4. Ajuste la temperatura configurada de modo que se encuentre 2 grados por debajo de la temperatura ambiente y la Bomba de Calor se deberá apagar.

**NOTA:** Existe un retraso de 3 minutos y un tiempo de funcionamiento mínimo de 3 minutos del compresor cuando éste se enciende/ apaga.

### Prueba del Calentador

1. Mueva el botón de modo hasta que el modo Heat Pump (Bomba de Calentamiento) esté activado. La pantalla del modo Furnace (Calentador) es exhibida.
2. Ajuste la temperatura configurada, de modo que se encuentre 5 grados por encima de la temperatura de la sala.
3. Ajuste la temperatura configurada, de modo que se encuentre 2 grados por debajo de la temperatura de la sala y el calor se deberá desactivar. Nota: Dependiendo del modelo de calentador que se use, es posible que haya un retraso al conectar y desconectar el calentador.

## Consejos para la Solución de Problemas

Problem	Solution
Sin Pantalla	Controle el 12 VDC; la pantalla queda en blanco cuando el 12 VDC no está presente.
Todos los botones del termostato están fuera de funcionamiento	Verifique que el 12 VDC esté presente; la unidad no funcionará cuando el 12 VDC no esté presente
El ventilador del sistema no se enciende apropiadamente	Verifique que el cableado esté configurado correctamente
El ventilador no se enciende, pero el Compresor se enciende.	CON LA CORRIENTE DESENCUFADA, verifique que nada esté obstruyendo la paleta del ventilador, de modo que gire libremente. Controle el Fusible de 5 amperes del tablero
El ventilador funciona de forma continua	Controle la configuración del ventilador. Si se encuentra configurado en ON (Encendido), el ventilador funcionará de forma continua.
La temperatura de la sala es incorrecta	Verifique que el agujero de la pared esté tapado con masilla o un aislante, a fin de evitar el flujo de aire desde la cavidad de la pared. Ajuste la temperatura (consulte la sección del Modo de Configuración – ajuste de temperatura de la sala)
El compresor no funciona o no se apaga de forma inmediata al cambiar la función o la configuración	Hay un tiempo de retraso de 3 minutos y un tiempo de funcionamiento mínimo de 3 minutos del compresor cuando se enciende/ apaga.
El ventilador no funciona o no se apaga de forma inmediata al cambiar la función o la configuración	Esto es normal. En algunos modelos, el ventilador podrá tener un tiempo de funcionamiento mínimo/ tiempo de retraso mínimo.
F5 Parpadea sobre el Termostato de Pared	En un modelo de Cool Only, controle que el Interruptor DIP n° 1 sobre el lado trasero del termostato de pared esté en OFF (consulte el Diagrama del Cableado) En un modelo con Bomba de Calor, controle si el sensor de temperatura exterior se encuentra desenchufado o dañado.

# GARANTÍA LIMITADA DEL TERMOSTATO

Abroche su recibo aquí. Para validar la garantía deberá contar con la prueba de la fecha original de compra.

**Por el Período de:** **GE Appliances Brindará:**

**Un Año**

Desde la fecha de la compra original

Un reemplazo completo del termostato si falla debido a un defecto en los materiales o la fabricación.

Para solicitar ayuda en relación a la solución de problemas del termostato, comuníquese al 1-844-GE4-PTAC (o al 844-434-7822)

## Qué No Cubrirá GE Appliances:

- Viajes del servicio técnico hasta su ubicación.
- Instalación inadecuada. Si tiene un problema con la instalación, comuníquese con su instalador. Usted es responsable de brindar conexiones eléctricas adecuadas sobre el producto.
- Cualquier falla del producto como resultado de modificaciones en el mismo o debido a un uso inadecuado, incluyendo la falta de mantenimiento razonable o necesario.
- En ubicaciones comerciales, trabajo necesario para mover la unidad, luego de que haya sido inicialmente instalada, a una ubicación donde se encuentre accesible para el servicio técnico por parte de un técnico individual; o, si las instrucciones de este manual fueron ignoradas.
- Reemplazo de fusibles de la casa o reinicio de disyuntores.
- Daños ocasionados sobre el producto por nivel de suministro de voltaje inadecuado, accidentes, incendios, inundaciones o catástrofes naturales.
- Daños incidentales o consecuentes causados por posibles defectos sobre este termostato.

**EXCLUSIÓN DE GARANTÍAS IMPLÍCITAS—Su única y exclusiva alternativa es el cambio del producto, como se indica en la Garantía Limitada. Las garantías implícitas, incluyendo garantías implícitas de comerciabilidad o conveniencia sobre un propósito particular, se limitan a un año o al período más corto permitido por la ley.**

Esta garantía limitada se extiende al comprador original y a cualquier dueño subsiguiente de productos comprados para uso dentro de EE.UU. y Canadá. En Alaska, la garantía limitada excluye el costo de envío o llamadas del servicio a su hogar. Algunos estados o provincias no permiten la exclusión o limitación de daños fortuitos o consecuentes. Esta garantía limitada le da derechos legales específicos, y es posible que tenga otros derechos que varían entre un estado y otro, o entre una provincia y otra. Para conocer cuáles son sus derechos legales, consulte a la oficina de asuntos del consumidor local, estatal o provincial o al Fiscal de su estado.

**Garante: GE Appliances, Louisville, KY 40225**

# Soporte para el Consumidor

---

## Sitio Web de GE Appliances

¿Desea realizar una consulta o necesita ayuda con su electrodoméstico? ¡Intente a través del Sitio Web de GE Appliances las 24 horas del día, cualquier día del año! Usted también puede comprar más electrodomésticos maravillosos de GE Appliances y aprovechar todos nuestros servicios de soporte a través de Internet, diseñados para su conveniencia.

En EE.UU.: [GEAppliances.com](http://GEAppliances.com)

---

## Registre su Electrodoméstico

¡Registre su electrodoméstico nuevo a través de Internet, según su conveniencia! Un registro puntual de su producto permitirá una mejor comunicación y un servicio más puntual de acuerdo con los términos de su garantía, en caso de surgir la necesidad. También puede enviar una carta en la tarjeta de inscripción preimpresa que se incluye con el material embalado.

En EE.UU.: [GEAppliances.com/register](http://GEAppliances.com/register)

---

## Servicio Programado

El servicio de reparación de expertos de GE Appliances está a sólo un paso de su puerta. Conéctese a través de Internet y programe su servicio a su conveniencia cualquier día del año. En EE.UU.: [GEAppliances.com/service](http://GEAppliances.com/service) o comuníquese al 800.432.2737 durante el horario de atención comercial.

---

## Garantías Extendidas

Adquiera una garantía extendida de GE Appliances y conozca los descuentos especiales que están disponibles mientras su garantía aún está vigente. La puede adquirir en cualquier momento a través de Internet. Los servicios de GE Appliances aún estarán allí cuando su garantía caduque.

En EE.UU.: [GEAppliances.com/extended-warranty](http://GEAppliances.com/extended-warranty) o comuníquese al 800.626.2224 durante el horario de atención comercial.

---

## Conectividad Remota

Para solicitar asistencia para la conectividad de red inalámbrica (para modelos con acceso remoto), visite nuestro sitio web en [GEAppliances.com/connected-home-smart-appliances](http://GEAppliances.com/connected-home-smart-appliances) o comuníquese al 800.220.6899 en EE.UU.

---

## Piezas y Accesorios

Aquellos individuos calificados para realizar el servicio técnico de sus propios electrodomésticos podrán solicitar el envío de piezas o accesorios directamente a sus hogares (se aceptan las tarjetas VISA, MasterCard y Discover). Ordene hoy a través de Internet durante las 24 horas, todos los días. En EE.UU.: [GEApplianceparts.com](http://GEApplianceparts.com) o de forma telefónica al 877.959.8688 durante el horario de atención comercial.

**Las instrucciones que figuran en este manual cubren los procedimientos que serán realizados por cualquier usuario. Otros servicios técnicos generalmente deben ser derivados a personal calificado del servicio. Se deberá tener cuidado, ya que una reparación indebida podrá hacer que el funcionamiento no sea seguro.**

---

## Contáctenos

Si no se encuentra satisfecho con el servicio que recibió de GE Appliances, comuníquese con nosotros a través de nuestro sitio Web con todos los detalles, incluyendo su número telefónico, o escriba a:

En EE.UU.: General Manager, Customer Relations | GE Appliances, Appliance Park | Louisville, KY 40225

[GEAppliances.com/contact](http://GEAppliances.com/contact)