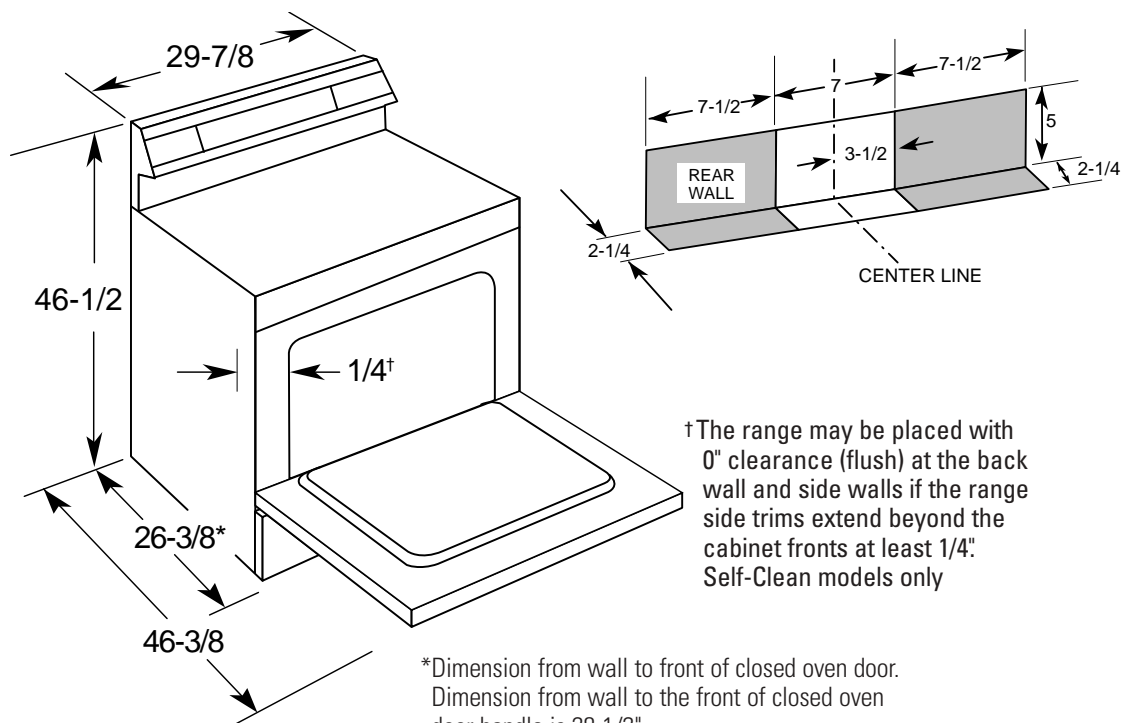


# HOTPOINT®

## RB525BH – Hotpoint 30" Free-Standing Electric Range

### Dimensions (in inches)



| KW Rating    |      |
|--------------|------|
| 240V         | 10.1 |
| 208V         | 8.0  |
| Breaker Size |      |
| 40 Amps†     |      |

**Note:** Check local codes for required breaker size.

**Note:** 30" Electric Ranges conform to U.L. requirements for 0" spacing from walls below countertops. Allow 1-1/2" spacing from the side of the range to adjacent vertical walls above the cooktop surface.

**Receptacle Locations:** Locally approved flexible service cord or conduit must be used because terminals are not accessible after range installation. See shaded area in drawing for location of electrical outlet box. Recommended outlet locations allow range to be installed directly against rear wall.

**Installation Information:** Before installing, consult installation instructions packed with product for current dimensional data.



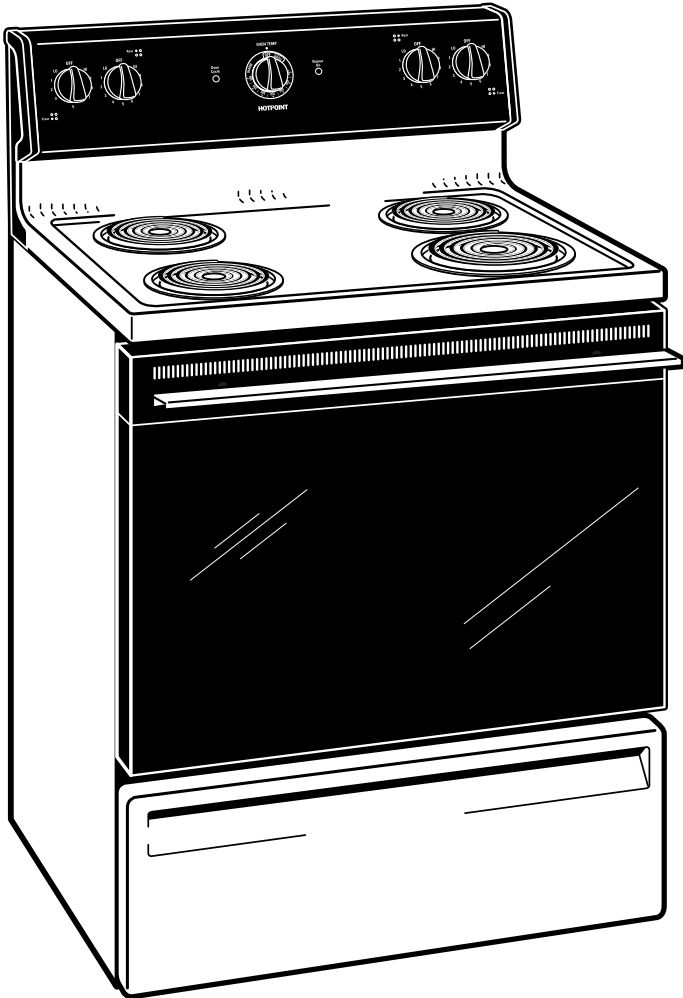
All Hotpoint ranges are equipped with an Anti-Tip device. The installation of this device is an important, required step in the installation of the range.



Listed by  
Underwriters  
Laboratories

# HOTPOINT®

## RB525BH – Hotpoint 30" Free-Standing Electric Range



### Features and Benefits

- Super-Large Oven Capacity – Provides an impressively large oven interior for cooking more dishes and large meals at one time.
- Coil Heating Elements – Provide consistent and even heat on the cooktop with a plug-in element that is removable for easy cleaning.
- Frameless Glass Oven Door – Offers an easy-to-clean and stylish design that blends seamlessly into existing cabinetry.
- Porcelain Upswept Cooktop – Features raised edges to help contain spills and make clean-up easy.
- Chrome Drip Bowls – Contain minor spills and are removable for easy cleaning.
- Two Oven Racks – Feature a durable construction to help accommodate any size or type of cookware.
- Removable Full Width Storage Drawer – This convenient drawer can be used for storing cookware or kitchen accessories.
- Model RB525BHW – White (black door and control panel/white cooktop)
- Model RB525BHCT – Bisque (black door and control panel/bisque cooktop)