

HA-MA1ADB

Modbus Converter/HC-LA1CDBT



Job Name: _____

Location: _____

Date: _____

Tag: _____

Reference

Approval

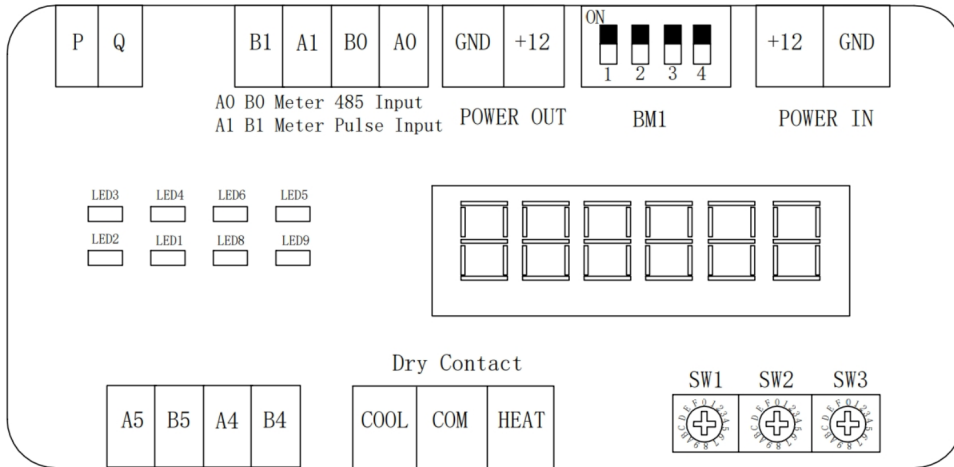
Construction

Features and Benefits

- Supports up to 32 IDU units
- Can be daisy chained with up to 32 converters
- Supports energy monitoring

Specifications

Model		HA-MA1ADB
Protocol		Modbus RTU
Power Supply		12VDC
Rated power		12 W
Package Dimension WxHxD (mm)		7 1/5 x 7 3/8 x 2 1/2 (190 x 187 x 65)
Control Dimension WxHxD (mm)		6 x 4 3/8 x 1 3/4 (152 x 110 x 45)
Package Weight lb (kg)		1.1 (0.5)
Net Weight lb (kg)		0.6 (0.3)
Stacking height		5
Communication Port-Input	AC port (PQ connection)	1
	RS-485	1ch
Communication Port-Output	RS-485	RS-485 2ch for HC-LA1CDBT/ Modbus 1ch; for Reserved 1ch
Operating Temperature		-4~122°F (-20~50°C)
Stock Temperature		-40~185°F (-40~85°C)
Operational humidity		5-90% (non-condensing)
Stock humidity (With package)		5-95% (non-condensing)
Function description		Converter homebus to Modbus / HC-LA1CDBT



Interface Terminal description		
To upper machine	485 port 1 A5 B5	Modbus BMS (Building Management System)
	485 port 2 A4 B4	Centralized controller Reserved
	Dry contact cold	Short circuit COOL and COM, The IDU can only perform cooling, dehumidification and air supply modes.
	Dry contact heat	Short circuit HEAT and COM, The IDU can only perform heating, and air supply modes.
	485 A0 B0	Electricity meter national network 2007 regulations
Ammeter	Pulse A1 B1	Meter pulse interface (Pull-up resistance has been integrated inside the gateway, no need external connection)
P Q	PQ	Outdoor unit P Q

www.haierappliances.com