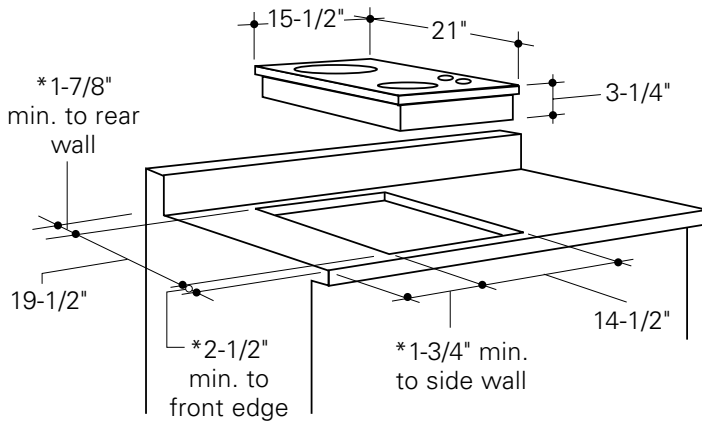




**Monogram™**

## ZEW145D—GE Monogram Halogen and Ribbon Element Component

### Dimensions and Specifications (in inches)



\* When installed, the following minimum clearances must be maintained:  
2" from front of cooktop to front edge of countertop. 1" from back of cooktop to rear wall. 1" from side of cooktop to side wall.

#### Cutout Dimensions:

W 14-1/2"

L 19-1/2"

**Note:** 240 volts/12.7 amps

208 volts/11.0 amps

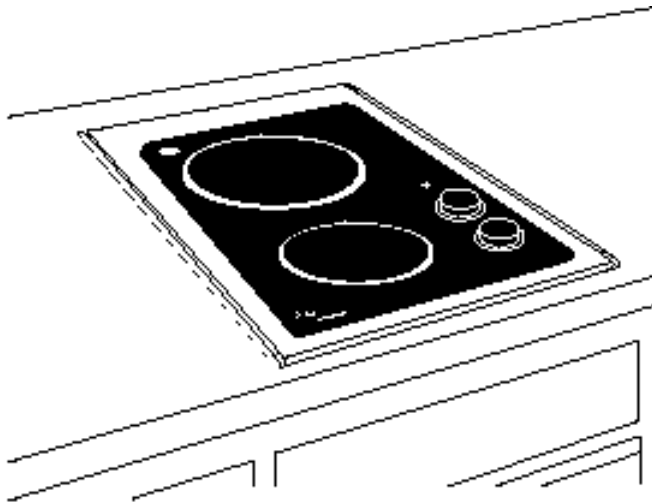
**Important Information:** See Monogram Component Cooktop Installation Instructions, packed with product, for specific installation requirements.

For answers to your Monogram®, GE Profile™ or GE appliance questions, visit our website at [GEAppliances.com](http://GEAppliances.com) or call GE Answer Center® service, 800.626.2000.



**Monogram™**

## **ZEW145D—GE Monogram Halogen and Ribbon Element Component**



### **Features and Benefits**

- One 8" and One 6" Ribbon Heating Element
- Black Patterned Ceramic Glass Cooktop
- Stainless Steel Component Surround
- 2 Hot Surface Indicator Lights
- Mix or Match Component Capability
- Installation Horizontally or Vertically
- Model ZEW145DSS—Stainless Steel