

# Café™ 30" Built-In Microwave/Convection Oven

CWB713P2VS1

C A F É



## FEATURES & BENEFITS

More room for more food - Entertaining unexpected guests is easy with the 1.7 cu. ft. capacity that helps prepare a large amount of food quickly

A microwave that's as versatile as you are - Achieve crisp, golden brown results with a convection cooking setting and a special rack that allows air to circulate around foods for even heat distribution

Delicious results in no time at all - Enjoy oven-quality results in mere minutes with a fast cook setting that combines convection and microwave cooking technology

A simple and smart addition to your culinary repertoire - Fresh vegetables and rice are perfectly prepared with a steam cook button that simplifies the entire process

You've got an eye for perfect timing - Monitor the progress of dishes with an in-oven camera that provides a view of your food from your smartphone

Cook your way with just one touch of a button - Enjoy the convenience of one-touch cooking with My Cycle, a custom cycle that remembers the exact time and temperature settings of your favorite foods

Prepare and preserve the freshest meals - Let bread rise naturally and keep entrées hot and ready with a warming and proofing oven that ensures fresh results, regardless of when you sit down to eat

## APPEARANCE

Color Appearance	Stainless Steel
Handle	Café Pro Style

## FEATURES

Control Type	Glass Touch
Cooking Technology	Convection
Microwave Watts (IEC-705)	975 W
Power Levels	10 in
Convection Cooking Controls	Combination Fast Cook; Convection Bake/Broil; Warm/Proof
Microwave Sensor Cooking Controls	Auto Cook; Popcorn; Steam Cook
Microwave Convenience Cooking Controls	Time Cook; Defrost: Weight/Time
Control Features	Start/Pause; Cancel/Off; Control Lock; Power; Timer On/Off; Clock; Add 30 Seconds; Back; Settings; Cooking Complete Reminder; Demo Mode
Microwave Oven Interior	Stainless Steel
Electronic Digital Display with Clock	Yes
Interior Oven Light	Halogen
Rack Type	Removable Oven Rack - Pedestal
Turntable	Glass
Turntable Size	16.0 in

## CAPACITY

Total Capacity (cubic feet)	1.7 cu ft
-----------------------------	-----------

## POWER / RATINGS

Electrical Input - 120V Amperage	15.0
Electrical Input - 120V Watts	1800
Frequency (MHz)	2450
Input Volts/Hertz	120/60
Voltage (MIN)	120.0 V

## WEIGHTS & DIMENSIONS

Approximate Shipping Weight	95.1 lb
Cabinet Width	30 in
Cavity (W x H x D)	20-1/8 x 8-1/2 x 17 in
Net Weight	81.2 lb
Overall Depth (includes control panel thickness)	22-3/4 in
Overall Height	20-1/8 in
Overall Width	29-3/4 in

## WARRANTY

Parts Warranty	Limited 1-Year Entire Appliance
Labor Warranty	Limited 1-Year Entire Appliance
Warranty Notes	See Written Warranty for Full Details

# Café™ 30" Built-In Microwave/Convection Oven

CWB713P2VS1

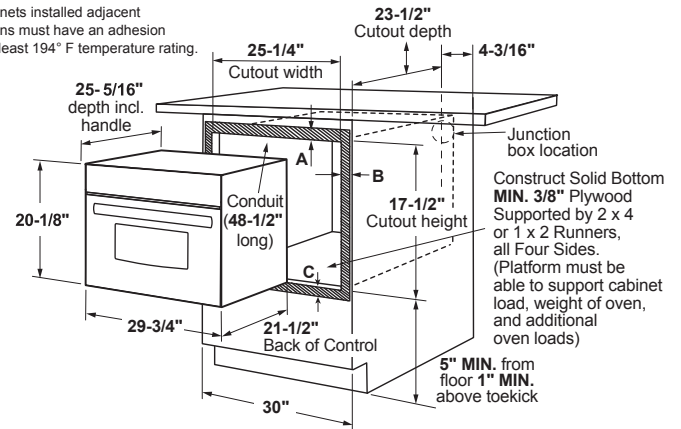


## DIMENSIONS AND INSTALLATION INFORMATION (IN INCHES)

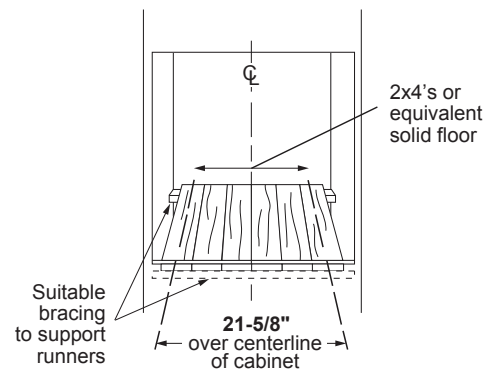
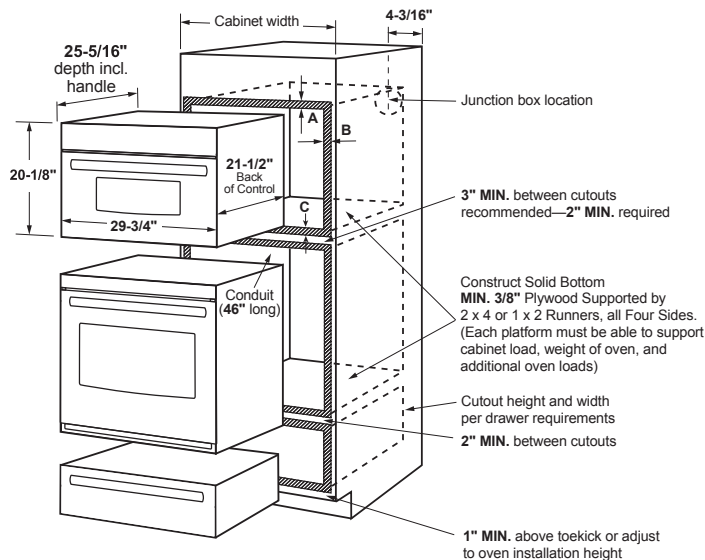
**Note:** Cabinets installed adjacent to wall ovens must have an adhesion spec of at least a 194°F temperature rating.

**INSTALLATION INFORMATION:** Before installing, consult installation instructions packed with product for current dimensional data.

Note: Cabinets installed adjacent to wall ovens must have an adhesion spec of at least 194° F temperature rating.



A = The unit overlap is 1/2" but allow 5/8" clearance from top edge of cutout  
 B = The unit overlap is 2-1/4" but allow 2-3/8" clearance from side edges of cutout  
 C = The unit overlap is 1" but allow 1-1/8" clearance from bottom edge of cutout



(Platform must be able to support cabinet load, weight of oven, and additional oven loads)

## ADDITIONAL ACCESSORIES



CXB30HKPNBZ  
Brushed Bronze  
1 handle and 1 knob



CXB30HKPNSS  
Brushed Stainless  
1 handle and 1 knob



CXB30HKPNBT  
Brushed Black  
1 handle and 1 knob



CXB30HKPNCU  
Brushed Copper  
1 handle and 1 knob



CXB30HKPNCG  
Brushed Brass  
1 handle



CXB30HKPNFB  
Flat Black  
1 handle