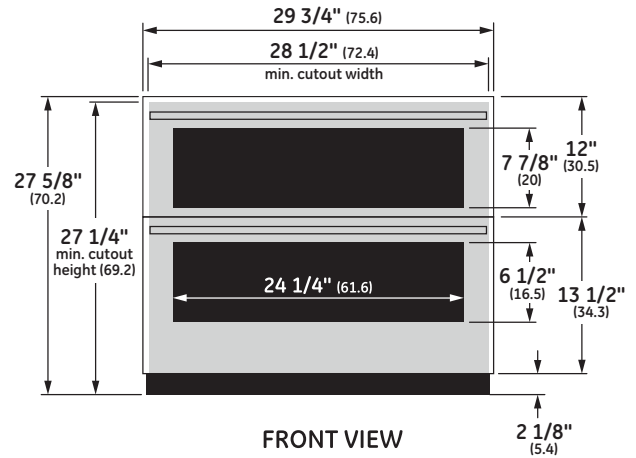
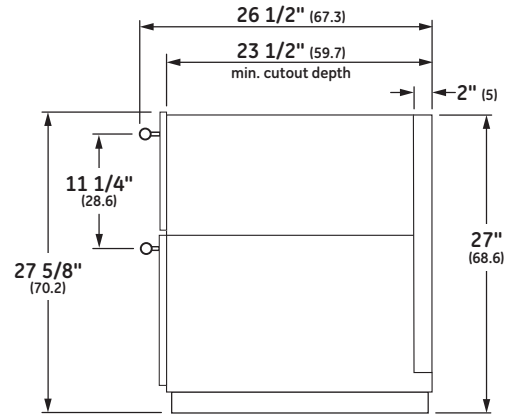




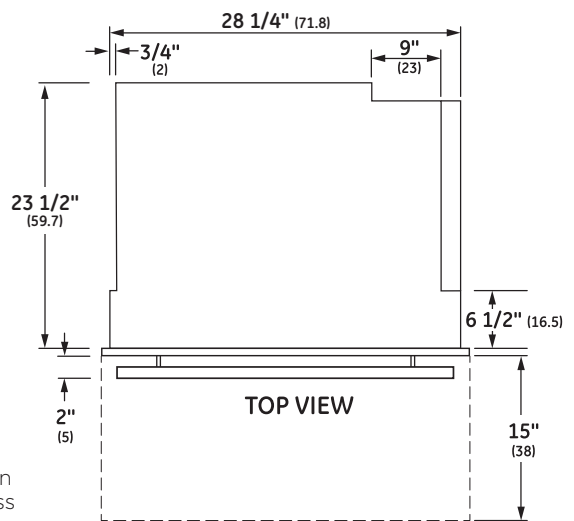
OVERALL DIMENSIONS



FRONT VIEW



SIDE VIEW



TOP VIEW

OPEN OVEN DOOR  
SHOWING DOOR CLEARANCE

Dimensions in parentheses are in centimeters unless otherwise noted. Actual product dimensions may vary due to manufacturing tolerances.

SPECIFICATIONS

Overall Width	29 3/4" (75.6 cm)
Overall Height	27 5/8" (70.2 cm)
Overall Depth Including Handle	26 1/2" (67.3 cm)
Oven Door Clearance	15" (38 cm)
Overall Oven Interior Capacity	2.2 Upper/ 2.8 Lower
Oven Interior Dimensions (W x H x D)	Lower 24 x 12 1/2 x 16 Upper 24 x 8 3/4 x 17 7/8
Minimum Cabinet Width	30" (76.2 cm)
Minimum Cabinet Depth	24" (61.0 cm)
Minimum Base Support	200 lbs. (90 kg)
Cutout Width	28 1/2" (72.4 cm) Min 28 5/8" (72.7 cm) Max
Cutout Height	27 1/4" (69.2 cm) Min 27 5/16" (69.4 cm) Max
Cutout Depth	23 1/2" (59.7 cm) Min
Volts/Hertz/Amps	240/208 V AC, 60 Hz, 20A
Conduit Length	40"
Electrical Rating	2.9 kW at 208V 3.9 kW at 240V
Shipping Weight	212 lbs.

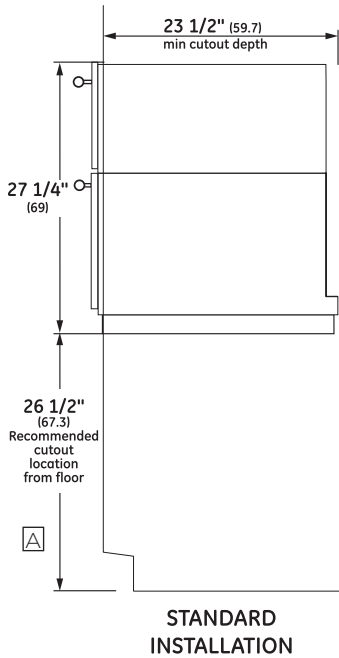
ATTENTION ELECTRICIAN:

A 240/208V, 60Hz, 20 Amp circuit is required. An individual properly grounded branch circuit or circuit breaker is required. Hardware junction box is required for built-in product.

ELEVATE EVERYTHING™

MONOGRAM

WALL INSTALLATION

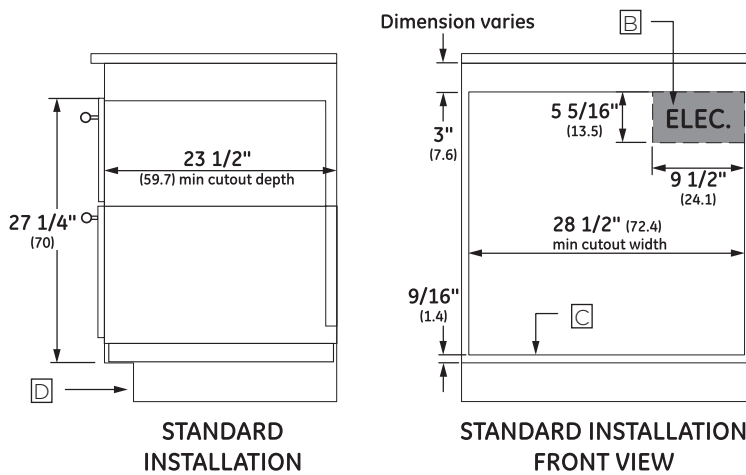


NOTES

Cabinets and drawers on adjacent 45° or 90° walls should be placed to avoid interference with the handle.

- A** Based on a user height of 5' 6" to 5' 10"
- B** Junction box location (May also be located in adjacent cabinet.)
- C** Platform must be able to support 200 lbs (90 kg)
- D** Maximum toe kick height of 4" when installed beneath a certified cooktop.

UNDERCOUNTER INSTALLATION

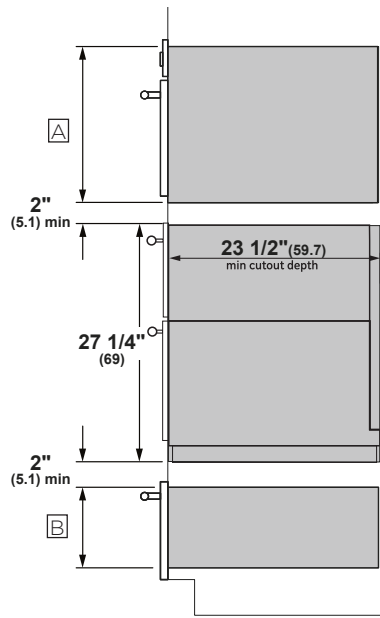


For more details, refer to the installation instructions for this product on Monogram.com. Dimensions in parentheses are in centimeters unless otherwise noted.

ELEVATE EVERYTHING™

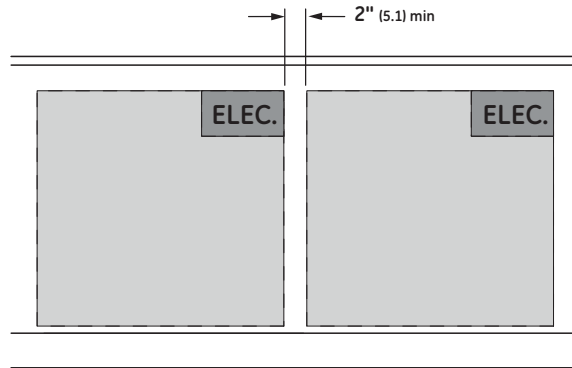


INSTALLATION WITH ADVANTIUM AND WARMING DRAWER



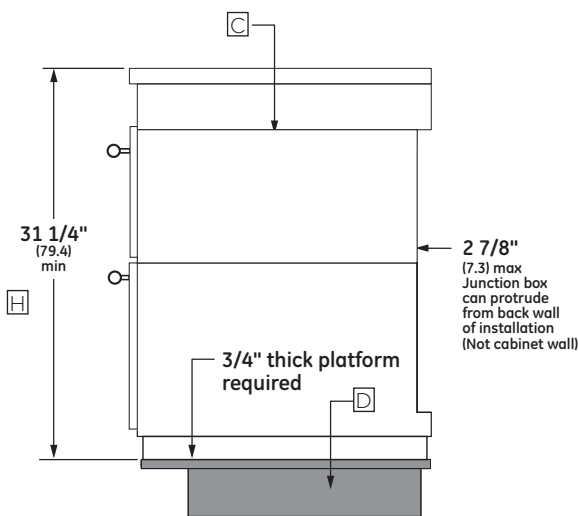
STANDARD INSTALLATION  
SIDE VIEW

SIDE BY SIDE INSTALLATION

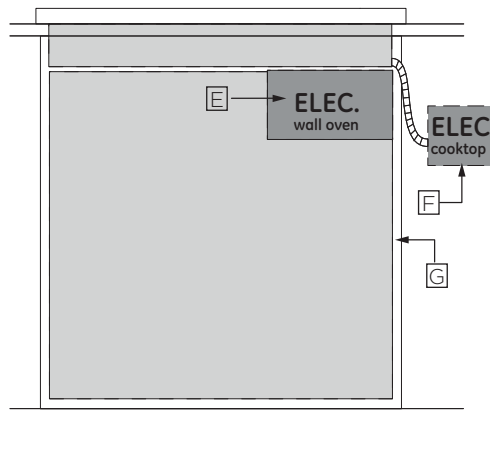


SIDE-BY-SIDE INSTALLATION  
FRONT VIEW OF CUTOUTS

UNDER COOKTOP INSTALLATION



STANDARD INSTALLATION  
SIDE VIEW



FRONT VIEW

For more details, refer to the installation instructions for this product on Monogram.com. Dimensions in parentheses are in centimeters unless otherwise noted.

NOTES

These ovens are not approved for stackable installations. Cabinets installed adjacent to the wall ovens must have an adhesion spec of at least a 194°F temperature rating.

- A Dimensions per Advantium® or Microwave Oven requirements
- B Dimension per Warming Drawer requirements
- C Note this oven is only approved to be installed under specific models as labeled on this unit.
- D Support platform made of 3/4" (1.9 cm) wood is required. Must be capable of supporting 200 lbs (90 kg). Support Platform base to be same height as toe kick.
- E Junction box location for wall oven. (May also be located in adjacent cabinet).
- F Electric connections for cooktops must be located in an adjacent accessible location to the right
- G Top and/or side fillers may be necessary if unit is positioned between existing cabinets. Be sure they are attached securely, since they will anchor the oven in the cabinet.
- H The distance from the top surface of the countertop to the oven support platform must be at least 31 1/4" (79.4 cm)

ELEVATE EVERYTHING™



## FEATURES AND BENEFITS

### SINGLE DOUBLE DESIGN

Cook two different dishes at two different temperatures at the exact time

### TRUE EUROPEAN CONVECTION WITH PRECISE AIR (LOWER OVEN)

Accurate heat circulation ensures evenly baked foods

### SELF-CLEAN, HEAVY-DUTY OVEN RACKS

Can stay in the oven during the self-clean cycle

### GLASS TOUCH CONTROLS

Smooth design is easy to operate and easy to clean

### DUAL INTERIOR LIGHTING

Illuminates the oven interior



ELEVATE EVERYTHING

**MONOGRAM**