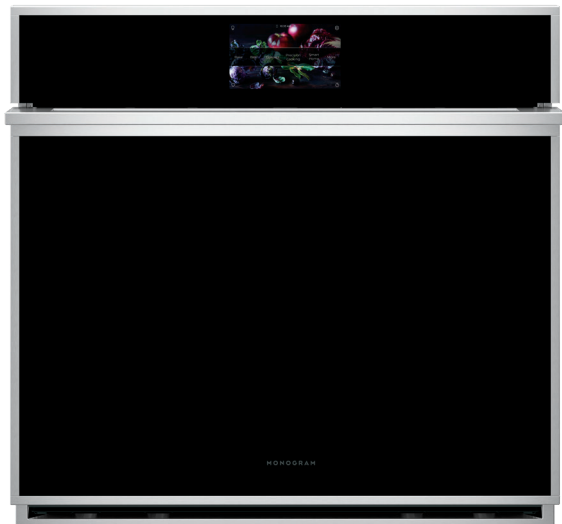


# MONOGRAM 30" BUILT-IN SINGLE OVEN

ZTS90DSSNSS



## THE MONOGRAM MINIMALIST COLLECTION

Streamlined design and precisely machined metals create a contemporary yet functional aesthetic

### LCD CONTROLS

Allow you to adjust oven settings with little effort

### WIFI CONNECT

Perfectly in sync with a busy lifestyle, Alexa or Google Home can be used to control an array of oven functions from both inside and outside the home

### PRECISION COOKING MODES

Master new recipes and perfectly execute favorite dishes using this ultra-smart system that automatically tracks cooking progress, modifies temperatures and adjusts cook times

### SCAN-TO-COOK

Innovative and time saving, scan-to-cook technology ensures that packaged foods are always prepared correctly. A simple scan of the barcode with a smartphone delivers consistently delicious results

## TRUE EUROPEAN CONVECTION WITH DIRECT AIR

Channels heated air from the top of the oven and circulates it around food on all sides for perfectly uniform baking and roasting

### 5.0 CUBIC FOOT CAPACITY

Easily accommodates even the largest meals

### EXCLUSIVE SELF-CLEAN, (1 FULL-EXTENSION, 2 REGULAR) OVEN RACKS

Glide in and out smoothly on stainless steel ball bearings, and are designed to be left in the oven during the self-clean cycle

### TEN-PASS BAKE ELEMENT

Covers more surface area for more even baking results

### EIGHT-PASS BROIL ELEMENT

Provides complete coverage and even browning, even for large dishes

### SELF-CLEAN WITH STEAM CLEAN OPTION

Gives you flexible options for thorough oven cleaning



### SPECIFICATIONS

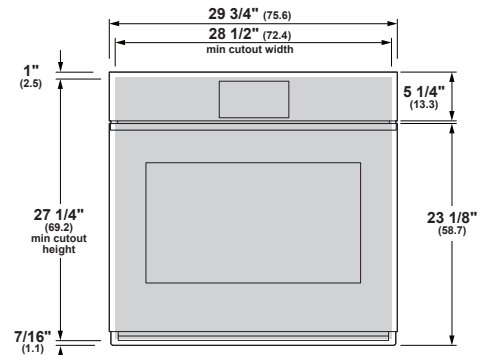
Overall Width	29 3/4" (75.6cm)
Overall Height	28 11/16" (72.8 cm)
Overall Depth Including Handle	26 13/16" (68.1 cm)
Oven Door Clearance	21 13/16" (55.4 cm)
Overall Oven Interior Capacity	5.0 cu. ft. (141.6 liters)
Oven Interior Dimensions (W x H x D)	25" x 17 3/8" x 20 1/4" (63.5 x 44.1 x 51.4 cm)
Minimum Cabinet Width*	30" (76.2 cm)
Minimum Cabinet Depth*	24" (61.0 cm)
Minimum Base Support	220 lbs. (99 kg)
Cutout Width*	28 1/2" (72.4 cm) Min 28 5/8" (72.7 cm) Max
Cutout Height*	27 1/4" (69.2 cm) Min 27 5/16" (69.4 cm) Max
Cutout Depth*	23 1/2" (59.7 cm) Min
Volts/Hertz/Amps	240/208 V AC, 60 Hz, 20A
Conduit Length	48" (72" available special order: WB18T10398)
Electrical Rating	3.4 kW at 208V 4.5 kW at 240V
Shipping Weight	184 lbs. (84 kg)

\* Additional space will be needed for flush installation.

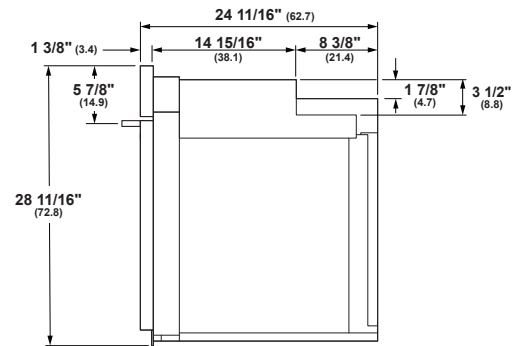
### ATTENTION ELECTRICIAN:

A 240/208V, 60Hz, 20 Amp circuit is required. An individual properly grounded branch circuit or circuit breaker is required. Hardware junction box is required for built-in product.

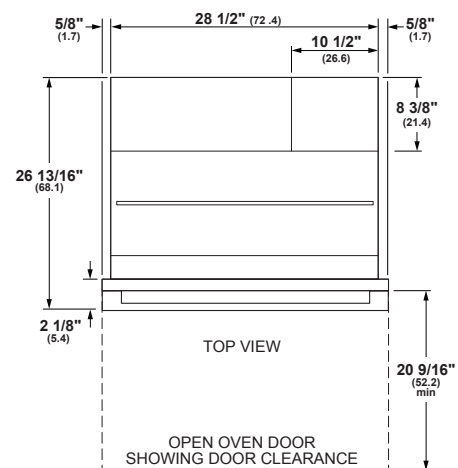
### OVERALL DIMENSIONS



FRONT VIEW (SHOWING CUTOUT OVERLAP)



SIDE VIEW

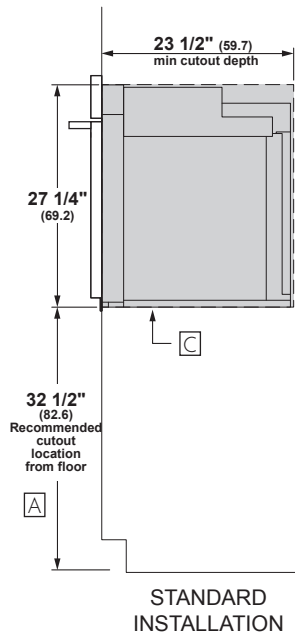


TOP VIEW

OPEN OVEN DOOR  
SHOWING DOOR CLEARANCE

Dimensions in parentheses are in centimeters unless otherwise noted. Actual product dimensions may vary due to manufacturing tolerances.

## WALL INSTALLATION

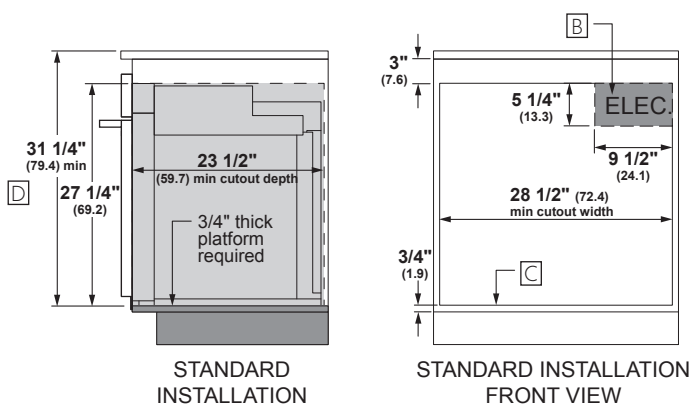


## HELPFUL TIPS

- A** Based on a user height of 5' 6" to 5' 10"
- B** Junction box location (May also be located in adjacent cabinet.)
- C** Platform must be able to support 220 lbs (99 kg)
- D** Minimum  $31\frac{1}{4}''$  from the top surface of the countertop to the top surface of the wall oven support platform when installed beneath a certified cooktop

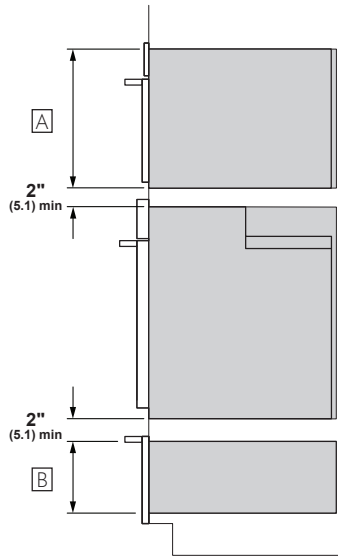
Allow  $\frac{1}{8}''$  (0.3 cm) clearances from side edges of oven door.

## UNDERCOUNTER INSTALLATION



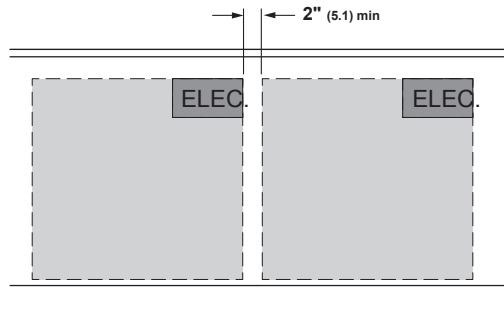
For more details, refer to the installation instructions for this product on Monogram.com. Dimensions in parentheses are in centimeters unless otherwise noted.

**INSTALLATION WITH ADVANTIUM AND WARMING DRAWER**



**STANDARD INSTALLATION  
SIDE VIEW**

**SIDE-BY-SIDE INSTALLATION**

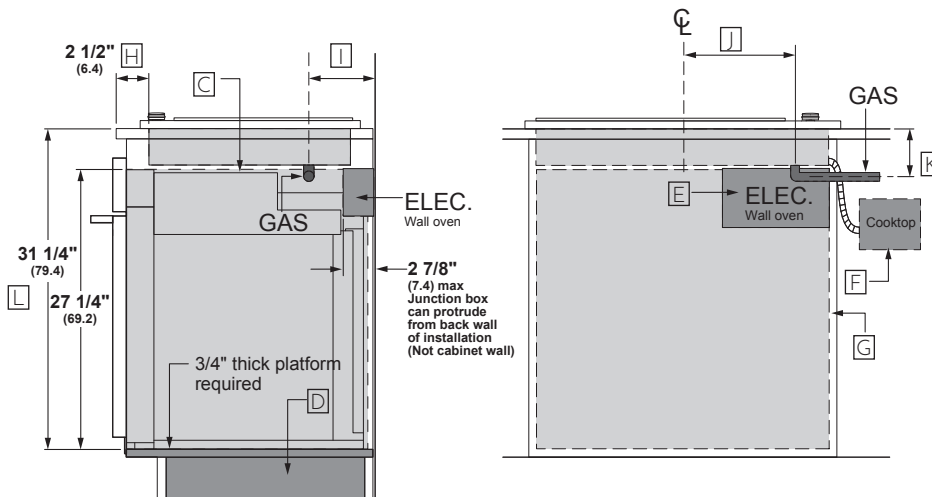


**SIDE-BY-SIDE INSTALLATION  
FRONT VIEW OF CUTOUTS**

**HELPFUL TIPS**

- [A] Dimensions per Advantium or Microwave Oven requirements
- [B] Dimension per Warming Drawer requirements
- [C] Note: This oven is only approved to be installed under specific models as labeled on this unit
- [D] Support platform made of 3/4" (1.9 cm) wood is required. Must be capable of supporting 220 lbs (99 kg). Support Platform base to be same height as toe kick
- [E] Junction box location for wall oven. (May also be located in adjacent cabinet.)
- [F] Gas regulator and electric connections for cooktops must be located in an adjacent accessible location to the right
- [G] Top and/or side fillers may be necessary if unit is positioned between existing cabinets. Be sure they are attached securely, since they will anchor the oven in the cabinet
- [H] For flush oven installations, the cooktop cutout must be set back 2 1/2" (6.4) plus the clear setback
- [I] Dimension varies based on model.  
Example:  
ZGU36 5 1/2" (14.0 cm) (from wall)  
ZGU30 4 5/16" (11.0 cm) (from wall)
- [J] Dimension varies based on model.  
Example:  
ZGU36 0" (centerline)  
ZGU30 12 1/16" (30.6 cm) (centerline)
- [K] Dimension varies based on model.  
ZGU36: 5 1/2" (13.9 cm) requires use of a 90° 1/2" FPT x 1/2" FL brass street elbow  
ZGU30: 5" (12.7 cm)
- [L] From the top surface of the countertop to the top surface of the wall oven support platform

**UNDER COOKTOP INSTALLATION**



**STANDARD INSTALLATION  
SIDE VIEW**

**FRONT VIEW**

For more details, refer to the installation instructions for this product on Monogram.com. Dimensions in parentheses are in centimeters unless otherwise noted.