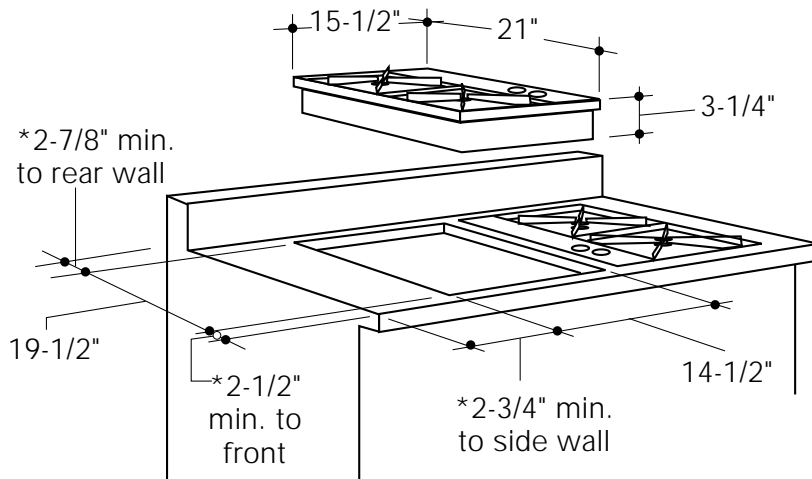




Monogram™

## ZGW125EN—Component Cooking Surfaces

### Dimensions and Specifications (in inches)



\* When installed, the following minimum clearances must be maintained:  
2" from front of cooktop to front edge of countertop. 1" from back of cooktop to rear wall. 2" from side of cooktop to side wall.

#### Cutout Dimensions:

W 14-1/2"

L 19-1/2"

**Note:** 120 volts/5 amps

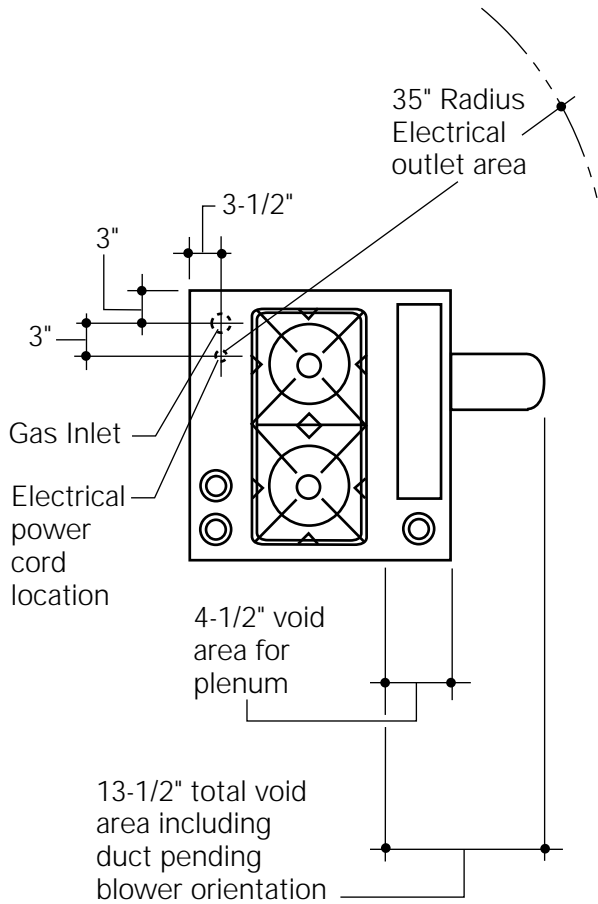
**Important Information:** Multiple component installations require joiner strips between components. Add 1/4" to total cutout for each downdraft vent-to-component connection; add 3/4" to total cutout for each component-to-component connection. See Monogram Component Cooktop Installation Instructions, Pub. No. 49-8834 for specific installation requirements.

For answers to your Monogram®, GE Profile™, GE, Hotpoint and RCA appliance questions, call GE Answer Center® service, 800.626.2000.



Monogram™

# ZGW125EN—Component Cooking Surfaces Electric Location Information Dimensions and Specifications (in inches)



### ZGW124EN

Gas component, controls on right

### ZGW125EN

Gas component, controls on left.

**Note:** Left component shown. For right component, dimensions are opposite.

Gas inlet pipe extends 1-1/4" from bottom of component.

Gas component shown with ZEW176Y downdraft vent (120 volts) can operate from the same junction box.

**Important Information:** Multiple component installations require joiner strips between components. Add 1/4" to total cutout for each downdraft vent-to-component connection; add 3/4" to total cutout for each component-to-component connection. See Monogram Component Cooktop Installation Instructions, Pub. No. 49-8834 for specific installation requirements.

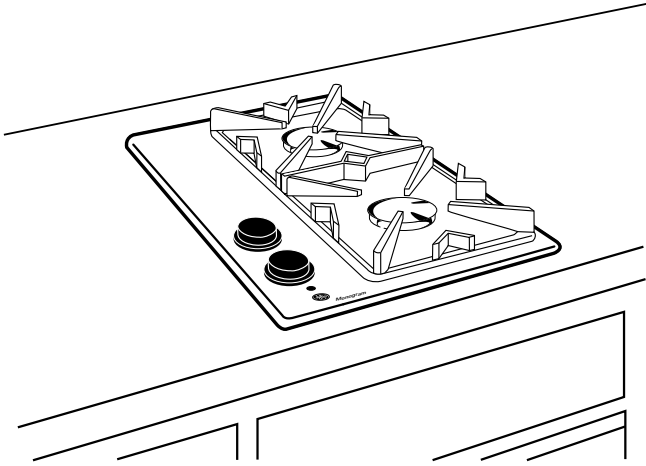
For answers to your Monogram®, GE Profile™, GE, Hotpoint and RCA appliance questions, call GE Answer Center® service, 800.626.2000.





Monogram™

## ZGW125EN—Component Cooking Surfaces



### Features and Benefits

- Stainless Steel Model
- One 10,500 BTU and One 6,000 BTU Sealed Gas Burner
- Cast-Iron, Porcelainized Burner Grates
- Electronic Ignition with Automatic Re-Ignition
- Controls on Left-Hand Side
- Stainless Steel Component Surround
- Mix or Match Component Capability
- Installation Horizontally or Vertically
- Model ZGW125ENSS—Stainless Steel