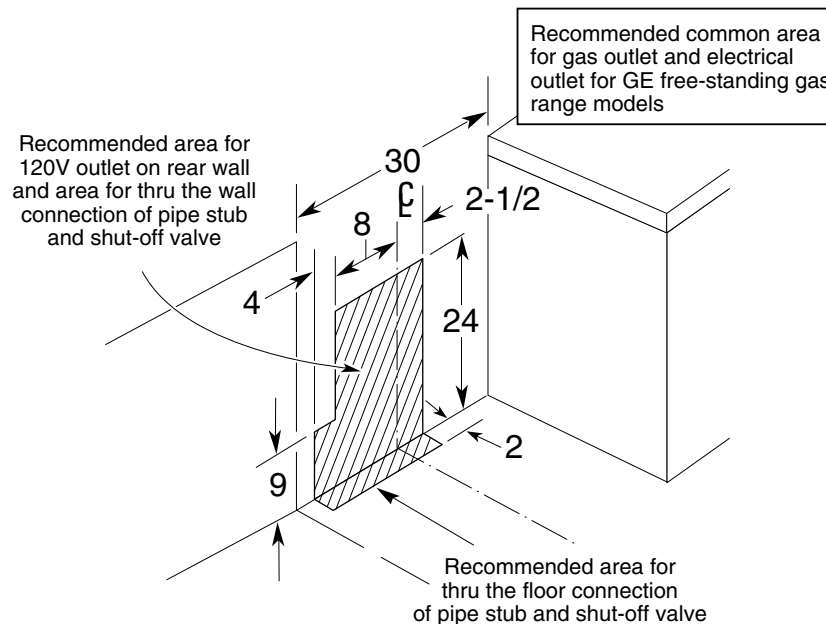
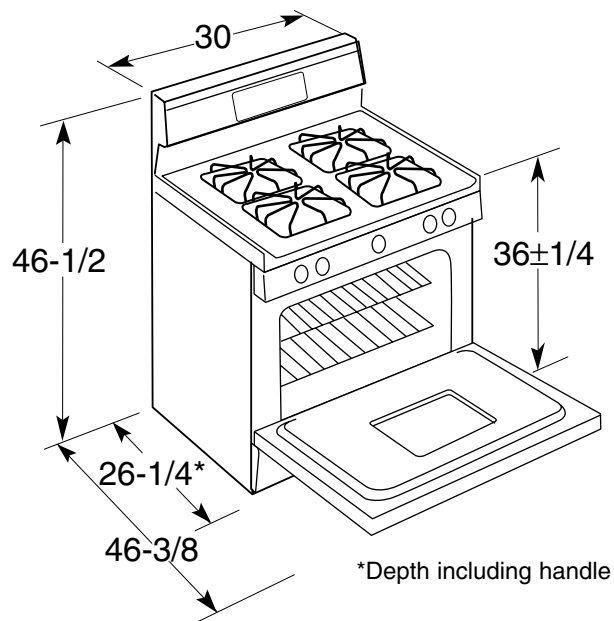


HOTPOINT

RGB533WEAWW—30" Free-Standing Gas Range

Dimensions (in inches)



Installation Information:

Dimensions shown here are the same as those shown on the installation instructions at the time this sheet was printed. Before proceeding with installation, see your Hotpoint supplier for latest detailed preparation and installation instructions or install from the instructions packed with each unit.

Optional gas range accessory drip pans:

(Available at additional cost)
To order these accessory drip pans, call toll-free 800-626-2002.

Specification Revised 6/00

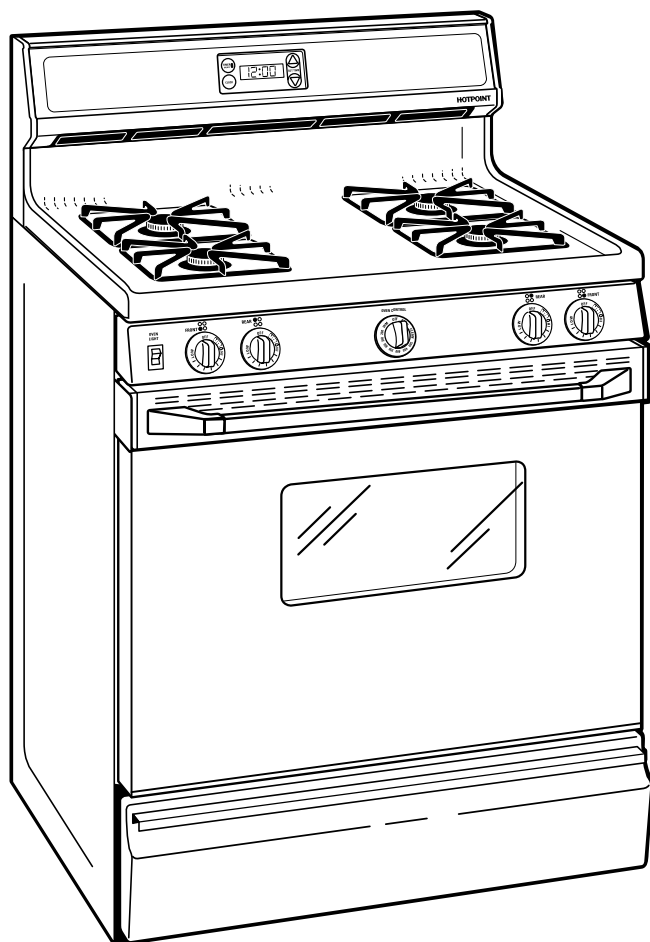


All GE ranges are equipped with an Anti-Tip device. The installation of this device is an important, required step in the installation of the range.



HOTPOINT

RGB533WEAWW—30" Free-Standing Gas Range



Features and Benefits

- Upswept Porcelain-Enameled Cooktop
- Sealed Gas Burners
- (1) 12,000/1,000 BTU Performance Plus Burner
- (1) 5,000/600 BTU Simmer Burner
- (2) 9,500/850 BTU All-Purpose Burners
- Grey Removable Square Grates
- Electronic Pilotless Ignition System
- Extra-Large Standard Cleaning Oven
- Electronic Clock and Minute Timer
- Slide Out Broiler Drawer
- 2 Oven Shelves / 6 Embossed Rack Positions
- White Frameless Glass Oven Door with Window
- Designer-Style Handle
- Optional Accessory One-Piece Drip Pans Available at Additional Cost
- LP Conversion Kit Included
- Model RGB533WEAWW—White on White