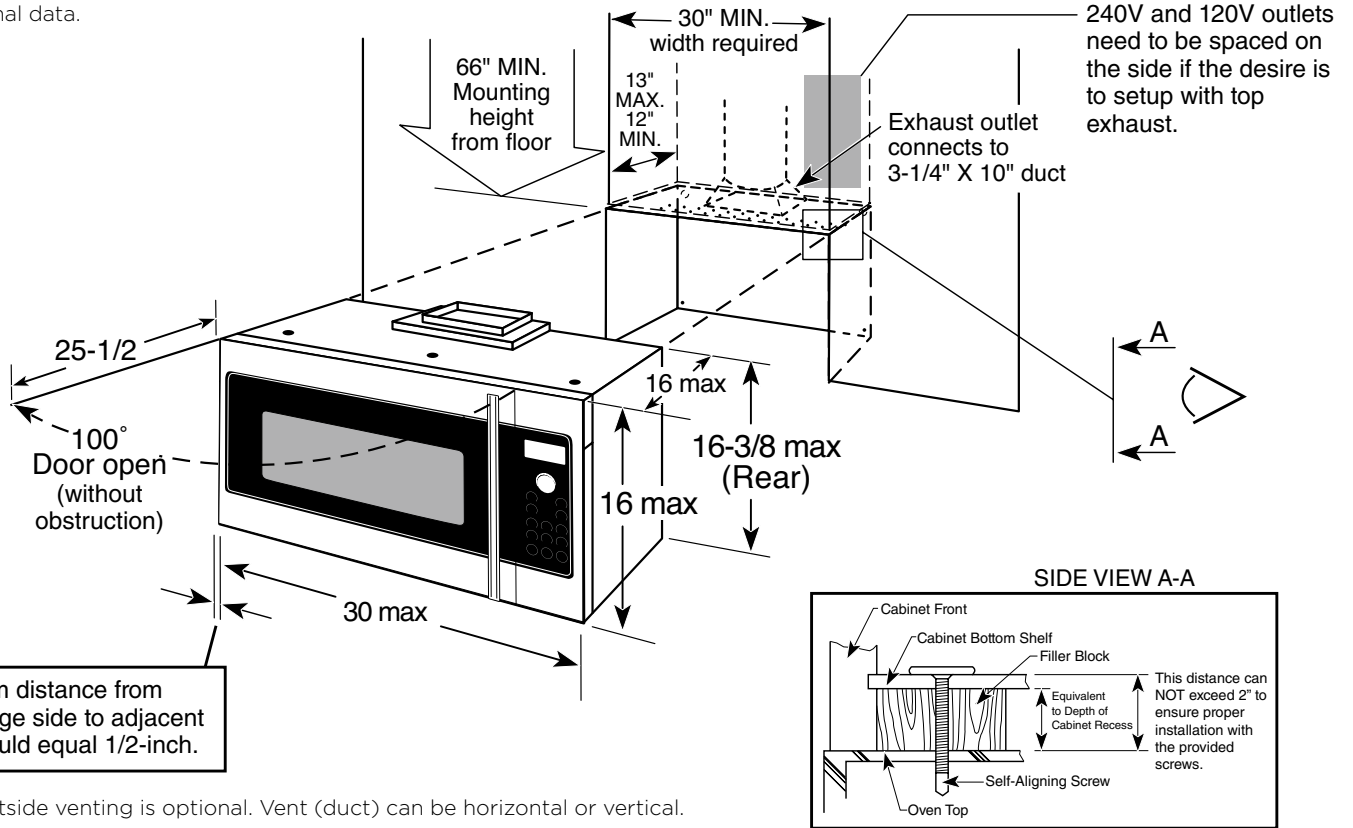


INSTALLATION INFORMATION:

This information is not intended to be used for installing unit described. Before installing, consult installation instructions packed with product/kit for current dimensional data.



Minimum distance from door hinge side to adjacent wall should equal 1/2-inch.

Note: Outside venting is optional. Vent (duct) can be horizontal or vertical.

Dimensions and Installation Information (in inches)

**IMPORTANT:**

Please read carefully. For personal safety, This Appliance Must be properly grounded to avoid severe or fatal shock.

Do not, under any circumstances, cut, deform, or remove any of the prongs from the power cord. Do not use with an extension cord.

INSURE proper ground exists before use.

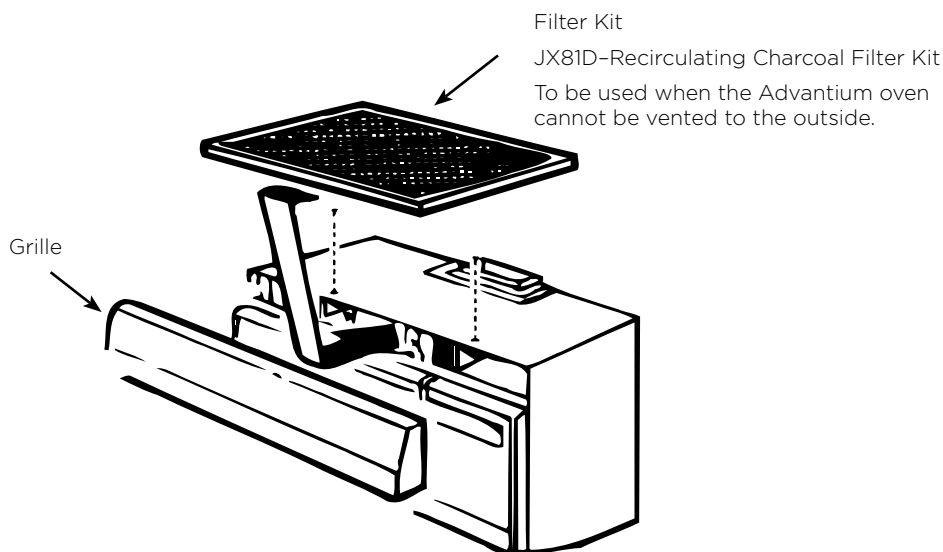
NEMA 14-30R Wall Receptacle

ELEVATE EVERYTHING



For answers to your Monogram, GE Café™ Series, GE Profile™ Series or GE Appliances product questions, visit our website at [geappliances.com](http://geappliances.com) or call GE Answer Center® Service, 800.626.2000.

FILTER KIT ACCESSORY



Duct	Equivalent
Rectangular-To-Round Transition Adaptor	5 Ft.
Wall Cap	40 Ft.
90° Round Elbow	10 Ft.
45° Round Elbow	5 Ft.
90° Rectangular Elbow	25 Ft.
45° Rectangular Elbow	5 Ft.
Roof Cap	24 Ft.

NOTES

Hood Exhaust Duct  
Outside ventilation requires a HOOD EXHAUST DUCT. Read the following carefully.

EXHAUST CONNECTION:  
The hood exhaust has been designed to mate with a standard 3-1/4" x 10" rectangular duct.

If a round duct is required, a rectangular-to-round transition adaptor must be used. Do not use less than a 6" diameter duct.

REAR EXHAUST:  
If a rear or horizontal exhaust is to be used, care should be taken to align exhaust with the space between studs, or wall should be prepared at the time it is constructed by leaving enough space between the wall studs to accommodate exhaust.

MAXIMUM DUCT LENGTH:  
For satisfactory air movement, the total duct length of 3-1/4" x 10" rectangular or 6" diameter round duct should not exceed 140 equivalent feet.

ELBOWS, TRANSITIONS, WALL AND ROOF CAPS, etc., present additional resistance to airflow and are equivalent to a section of straight duct which is longer than their actual physical size. When calculating the total duct length, add the equivalent length of all transitions and adaptors plus the length of all straight duct sections. The chart below shows the approximate feet of equivalent length of some typical ducts.

ELEVATE EVERYTHING™



For answers to your Monogram, GE Café™ Series, GE Profile™ Series or GE Appliances product questions, visit our website at [geappliances.com](http://geappliances.com) or call GE Answer Center® Service, 800.626.2000.

## FEATURES AND BENEFITS

**SPEEDCOOK TECHNOLOGY**

Uses halogen light to cook foods to delicious perfection—two to four times faster than a conventional oven—no preheating required

**FOUR POWERFUL OVENS IN ONE**

Speedcook, true European convection, sensor microwave and warming/proofing—offer the ultimate in cooking speed and versatility

**EASY-TO-USE-CONTROLS**

Make it easy to select from more than 175 preprogrammed recipes

**SPACIOUS INTERIOR**

With 13.6" turntable and two full-width oven racks easily accommodates a roast or three 8-1/2" x 11" casserole dishes

**FOUR-SPEED, 300-CFM VENTING SYSTEM**

Efficiently clears away smoke and steam from the cooktop

**CONVENIENT TASK LIGHTING**

Provides three levels of illumination to suit your needs

**FLEXIBLE ABOVE-THE-COOKTOP CONFIGURATION**

Makes the most of your kitchen space

**MODEL ZSA1201JSS**

European-styled stainless steel



European

ELEVATE EVERYTHING™

**MONOGRAM**

For answers to your Monogram, GE Café™ Series, GE Profile™ Series or GE Appliances product questions, visit our website at [geappliances.com](http://geappliances.com) or call GE Answer Center® Service, 800.626.2000.

Product Specification Revised 1/18