



# Portable Room AIR CONDITIONER

**SAFETY INFORMATION** .....3

**USING THE AIR CONDITIONER**  
Controls .....4

**CARE AND CLEANING**  
Air Filter .....8

**INSTALLATION  
INSTRUCTIONS** .....9

**TROUBLESHOOTING TIPS**.....13

**LIMITED WARRANTY** .....15

**CONSUMER SUPPORT** .....16

## OWNER'S MANUAL AND INSTALLATION INSTRUCTIONS

APCA08  
APCA10

Write the model and serial numbers here:

Model # \_\_\_\_\_

Serial # \_\_\_\_\_

Find these numbers on a label on the side of the air conditioner.

## **THANK YOU FOR MAKING GE APPLIANCES A PART OF YOUR HOME.**

---

Whether you grew up with GE Appliances, or this is your first, we're happy to have you in the family.

We take pride in the craftsmanship, innovation and design that goes into every GE Appliances product, and we think you will too. Among other things, registration of your appliance ensures that we can deliver important product information and warranty details when you need them.

Register your GE appliance now online. Helpful websites and phone numbers are available in the Consumer Support section of this Owner's Manual. You may also mail in the pre-printed registration card included in the packing material.



**GE APPLIANCES**

# IMPORTANT SAFETY INFORMATION

## READ ALL INSTRUCTIONS BEFORE USING THE APPLIANCE

### IMPORTANT SAFETY INSTRUCTIONS

**WARNING:** To reduce the risk of fire, electrical shock, injury to persons, or damage when using the air conditioner, follow basic precautions, including the following:

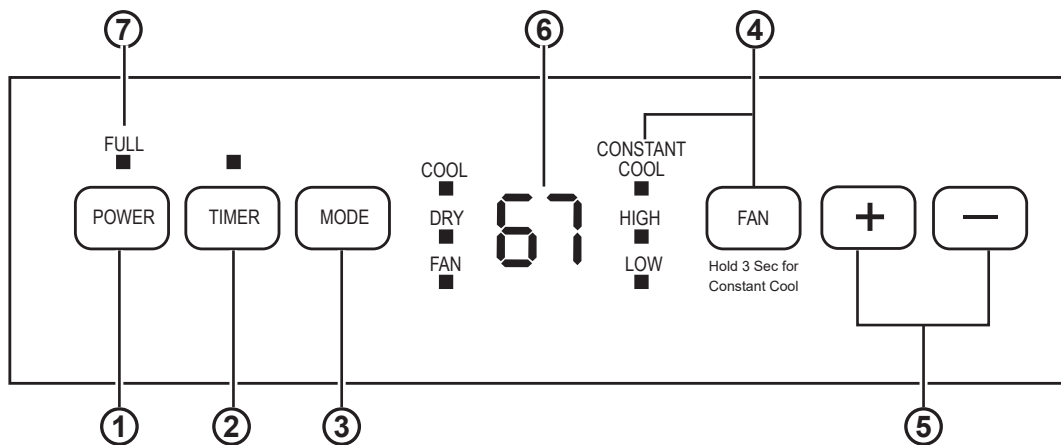
- Read all of the instructions before using this appliance.
  - Plug into a grounded 3 prong outlet.
  - Do not remove ground prong.
  - Do not use an adapter.
  - Do not use an extension cord.
  - Do not operate the air conditioner if it has a damaged cord or plug, if it is not working properly, or if it has been damaged or dropped.
  - The air conditioner should be serviced only by qualified service personnel. Call an authorized service company for examination, repair, or adjustment.
  - Disconnect power before servicing.
  - Disconnect power before cleaning.
- NOTE:** Turning off power by pressing the Power button does NOT disconnect the appliance from the power supply.
- Do not install or use the air conditioner in any area where the atmosphere contains combustible gases or where the atmosphere is contaminated. Avoid any chemicals coming in contact with your air conditioner.
  - Do not store anything directly on top of the air conditioner.
  - Use two or more people to move and install air conditioner.
  - Never operate the air conditioner without the filters in place.
  - Do not use the air conditioner near a bathtub, shower or wash basin or other wet area.

READ AND SAVE THESE INSTRUCTIONS

# Controls

Features and appearance will vary.

Lights next to the touch pads on the air conditioner control panel indicate the selected settings.



**Air Conditioner Controls**

## Controls

### 1. Power Control

The power control turns the unit on and off. The louvers will automatically open when the power is turned on.

### 2. Timer

#### Auto Turn Off:

With machine in running mode, press timer button to select number of hours you would like the unit to run in air conditioning mode until it automatically shuts off.

#### Auto Turn On:

With machine in stand by mode, press timer button to select number of hours until you would like the unit to automatically start running in air conditioning mode.

### 3. Mode Control

The mode control has three settings: COOL, DRY, and FAN. The settings are adjusted with Mode Control button. A light will indicate which setting is currently being used.

#### Cooling Mode.

When cool mode is selected, the indicator light turns green. During the cooling mode the air is cooled and hot air is exhausted to the outside through the exhaust tube. Adjust fan speed and air temperature to suit your desired comfort level. **NOTE: The air exchange hose must vent outside the room when using cool mode.**

#### Dry Mode - Dehumidification.

When dehumidify mode is selected, the indicator light turns green. Air is dehumidified as it passes through the unit, without being in full cooling mode. If room temperature is higher than 77 degrees Fahrenheit, fan speed can be adjusted; otherwise fan speed is fixed to "Low". **NOTE: If the unit is to be used as a dehumidifier, do not connect the exhaust hose let the warm air return to the room. Continuous water**

**drainage is then necessary (see page 8).**

#### Fan Mode

When fan mode is selected the indicator light will shine green. Air is circulated throughout the room with no cooling. **NOTE: Unit does not need to be vented in Fan mode.**

### 4. Fan Speed Control

The Fan Speed Control has 2 settings: High and Low. Hold the FAN button for 3 seconds, the fan will continue running even when the compressor stops due to the set temperature being reached. The constant Cool indicator light will come on.

### 5. Timer/Temp Set Controls

- Used for adjusting the timer and thermostat.
- The default display is room temperature.
- In cooling mode when + or - button is pressed, the set temperature is displayed and may be adjusted. After 10 seconds the display will revert back to room temperature. Temperature is only adjustable in cool mode. The time is adjustable between 1-24 hours.

**NOTE: By pressing both + and - buttons at the same time, the display will toggle between Celsius and Fahrenheit. The temperature cannot be adjusted in the fan or dehumidification modes.**

### 6. Display

### 7. Warning Light

Condensed water may accumulate in the unit. If the internal tank becomes full, the warning light will light up and the unit will not operate until the unit has been drained.

# Controls

## Remote Control

- To ensure proper operation, aim the remote control at the signal receiver on the air conditioner.
- Make sure nothing is between the air conditioner and the remote control that could block the signal.

- The remote control signal has a range of up to 20 feet.
- Make sure batteries are fresh and installed correctly as indicated on the remote control.

### 1. Power On/Off

### 2. Mode

Cool: LED lights when in cooling mode.  
Dehumidification: LED lights when in dehumidification mode.  
Fan: LED lights when in fan mode.  
Heat: LED lights when in heat mode (applies only to heat and cool modes).

### 3. Fan Speeds

Select between multiple fan speeds. Number of fan speeds vary by model. In dehumidification mode, and room temperature is greater than 77° F, fan speed can be adjusted; Otherwise fan speed is fixed to "low".

### 4. On/Off Timer

To set the timer for a 1- 24-hour delay until the air conditioner turns off:

1. When you use the timer setting button while the unit is operating, you can preset a time for the unit to turn off.
2. When you use the timer setting button while the unit is on standby, you can preset a time for the unit to turn on.
3. If you press the "ON/OFF" button, the preset timer function will be canceled.
4. Timer setting range is 1-24 hours.

To clear Timer Delay program:

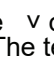
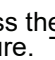
NOTE: Air conditioner can be either on or off.

1. Press the Timer Button.
2. Press the + or - buttons continuously till "00" appears to cancel the timer function.

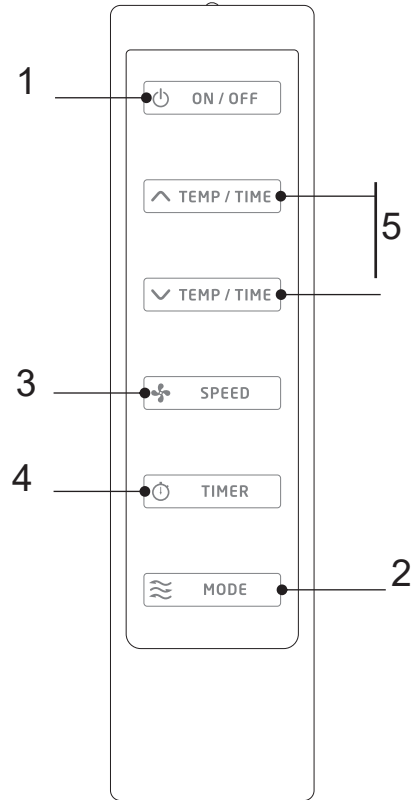
To change the remaining time (in hours):

1. Press the Timer Button.
2. Press the plus or minus button to change the delay time from 1 to 24 hours.
3. The new delay time will display.

### 5. Setting the Temperature

To set the temperature, press the  or  keys to raise or lower the temperature. The temperature can be raised or lowered in the cool mode. The temperature cannot be adjusted in fan or dehumidification mode.

NOTE: The temperature can be set between 61° F to 89° F (Cool Mode).



# Controls

---

The display will always default to show the room temperature.

When the air conditioner is turned on, it will automatically start in the last mode and fan settings selected.

---

## Cool Mode

Use the COOL mode for cooling and for economy cooling.

To set the COOL mode:

1. Press the **MODE** pad until the **COOL** indicator light is lit.
2. Press the **FAN** pad to set HIGH or LOW fan speed.
3. Press **+ or -** to set the desired temperature between 61°F and 89°F in 1°F increments.

After settings have been made, the display will change back to show the room temperature.

The temperature control is used to maintain the room temperature. The compressor will cycle on and off to keep the room at the set level of comfort. Set the temperature control at a lower number and the indoor air will become cooler. Set the temperature control at a higher number and the indoor air will become warmer.

**NOTE:** If the air conditioner is off and is then turned on while set to COOL, it will take approximately 3 minutes for the compressor to start and cooling to begin.

### Cooling Descriptions

**For Normal Cooling**—Select the COOL mode and HIGH fan speed with a middle set temperature.

**For Maximum Cooling**—Select the COOL mode and HIGH fan speed with a lower set temperature.

**For Quieter & Nighttime Cooling**—Select the COOL mode and LOW fan speed with a middle set temperature.

**NOTE:** If you switch from COOL or DRY mode setting to OFF wait 3 minutes before restarting.

In Cool mode, the fan will cycle off with the compressor when the room temperature is reached. Then the fan will cycle 10 minutes off and 2 minutes on to sample the air temperature.

---

## Constant Cool Mode

Use Constant Cool mode when you do not want the fan to stop running.

**To Set Constant Cool Mode:**

1. Press the FAN pad for 3 seconds until the Constant Cool indicator light is lit.
2. Press the FAN pad to set High or Low fan speed.

3. Press + or - to set the desired temperature between 61°F and 89°F in 1°F increments.

In Constant Cool Mode, the fan will continue running even when the compressor stops due to the set temperature being reached.

---

## DRY Mode—Dehumidification

Use the DRY mode to provide dehumidification only. The fan will run at a fixed speed at this setting, so a fan speed cannot be set. Keep windows and doors closed for the best dehumidifying effects.

**To set the DRY mode:**

- Press the **MODE** pad until the DRY indicator light is lit.
- In the DRY mode, a set temperature will not be displayed. After DRY mode has been set, the display will change back to show the room temperature.

**NOTE:** If you switch from a DRY setting to OFF or to a fan setting, wait at least 3 minutes before switching back to a DRY setting.

If using the unit in the DRY mode as a dehumidifier for an extended time.

1. Unplug the power cord.
  2. Connect a drain hose (not included) to the center drain port (see page 9, upper drain #8) and lead hose to floor drain.
  3. Reconnect the power cord and press the MODE pad until the DRY indicator light is lit.
- 

## FAN Mode

Use the FAN mode to provide air circulation and filtering without cooling.

**To set the FAN mode:**

- Press the FAN pad until the desired indicator light for HIGH or LOW fan speed is lit.

Since fan only settings do not provide cooling, a set temperature will not be displayed. After FAN speed has been set, the display will change back to show the room temperature.

---

## Power Outage Recovery Feature

In the case of a power outage or interruption, the unit will automatically re-start in the settings last used after the power is restored.

**NOTE:** If the TIMER was set before the power outage, it will need to be reset after power is restored.

# Controls

---

## Air Conditioner Use

**IMPORTANT:** If the air conditioner has been tilted on its side, wait 24 hours before turning on the air conditioner to allow the oil to return to the compressor. This will prevent the air conditioner from failing prematurely.

- Allow 20" (51 cm) of space around the unit for proper air circulation.
- Do Not operate the air conditioner without air filters in place.
- Do not spill liquid on the control panel; it may cause an electrical short to the interior electronic parts that would either disable them or cause them to function improperly.
- When turning on the air conditioner for the first time after plugging it into an electrical outlet, the unit will start in Cooling mode set at 75°F (24°C), and at High fan speed. The control panel will display the current room temperature.
- When turning on the unit after previous use, it will remember the last settings used.
- After a normal shut down, please wait for 3 minutes before restarting the unit.
- In Cooling mode, this unit should not require water to be removed. This model has a unique design that continuously evaporates the water.
- When the unit is operated in high humidity conditions, you may need to empty the water tank periodically.
- The unit will shut down automatically when the water tank is full. The Water Full indicator illuminates to alert you of this condition.
- The louvers will automatically open when the power is turned on. The louvers will close when the power is turned off.

# Care and Cleaning

## CLEANING

### ⚠ WARNING



#### Electrical Shock Hazard

Disconnect power before cleaning.

Failure to do so can result in death or electrical shock.

1. Unplug or disconnect power.
2. Use only a soft cloth dampened with water to clean the cabinet.

#### NOTE:

- Do not use a liquid or spray cleaner to clean the air conditioner.
- DO NOT use chemicals, abrasives, ammonia, chlorine bleach, concentrated detergents, solvents or scouring pads. Some of these chemicals/items may damage and/or discolor your air conditioner.

3. Dry thoroughly with a soft cloth.
4. Plug in or reconnect power.

## Air Filter

The air filters should be cleaned at least once a week for your unit to operate at optimum efficiency.

### ⚠ CAUTION

**DO NOT** operate the air conditioner without a filter because dirt and lint will clog it and reduce performance.

#### To remove:

1. Unplug or disconnect power.
2. Pull on the tabs to slide out the filters from the back of the air conditioner.

**NOTE:** The secondary filters are accessible once the main filters are removed.

3. Wash or vacuum the dust from the air filters.

**NOTE:** If washed, gently shake the filter to remove the excess water and dust particles trapped in the filter.

4. Reinstall the filters.
5. Plug in or reconnect power.

## Internal Water Tank

The Water Full indicator illuminates, when the internal water tank has filled with condensed water.

To Empty the Internal Water Tank:

1. Unplug or disconnect power.
2. Place a shallow 1 quart or larger pan (not included) below the lower drain located on the back (near the bottom) of the air conditioner.

3. Remove the cap and the rubber plug and drain the water tank.
4. Re-insert the drain plug and screw the cap snugly into place.
5. Plug in or reconnect power.

## Storage

**If the unit is not being used for a long period of time:**

**To Empty the Internal Water Tank:**

1. Unplug or disconnect power.
2. Drain the water from the water tank. (See "Internal Water Tank section" above.)

3. Use the original packaging to repack the unit to avoid a buildup of dust or dirt.
4. Store the air conditioner in a cool, dry location.

## How to Insert the Batteries in the Remote Control

1. Remove the battery cover by sliding it according to the arrow direction.
2. Insert new batteries, making sure that the (+) and (-) of battery are installed correctly.
3. Reattach the cover by sliding it back into position.

#### NOTES:

- Use 2 "AAA" (1.5 volt) alkaline batteries. Do not use rechargeable batteries.
- Remove the batteries from the remote control if the system is not going to be used for a long time.
- Do not mix old and new batteries. Do not mix alkaline, standard (carbon-zinc) or rechargeable (ni-cad, ni-mh, etc) batteries.



# Installation Instructions

Questions? Call GE Appliances at 800.GE.CARES (800.432.2737) or visit our Website at: [GEAppliances.com](http://GEAppliances.com).  
In Canada, call 1.800.561.3344 or visit our Website at: [www.GEAppliances.ca](http://www.GEAppliances.ca)

## BEFORE YOU BEGIN

Read these instructions completely and carefully.

- **IMPORTANT** — Save these instructions for local inspector's use.
- **IMPORTANT** — Observe all governing codes and ordinances.
- **Note to Installer** – Be sure to leave these instructions with the Consumer.
- **Note to Consumer** – Keep these instructions for future reference.
- **Skill level** – Installation of this appliance requires basic mechanical skills.
- **Completion time** – Approximately 1 hour
- We recommend that two people install this product.
- Proper installation is the responsibility of the installer.
- Product failure due to improper installation is not covered under the Warranty.
- You **MUST** use all supplied parts and use proper installation procedures as described in these instructions when installing this air conditioner.

## ⚠ CAUTION

Do not, under any circumstances, cut or remove the third (ground) prong from the power cord.

Do not change the plug on the power cord of this air conditioner.

Aluminium house wiring may present special problems—consult a qualified electrician.

Power cord includes a current interrupter device. A test and reset button is provided on the plug case. The device should be tested on a periodic basis by first pressing the TEST button and then the RESET button while plugged into the outlet. If the TEST button does not trip or if the RESET button will not stay engaged, discontinue use of the air conditioner and contact a qualified service technician.

## ELECTRICAL REQUIREMENTS

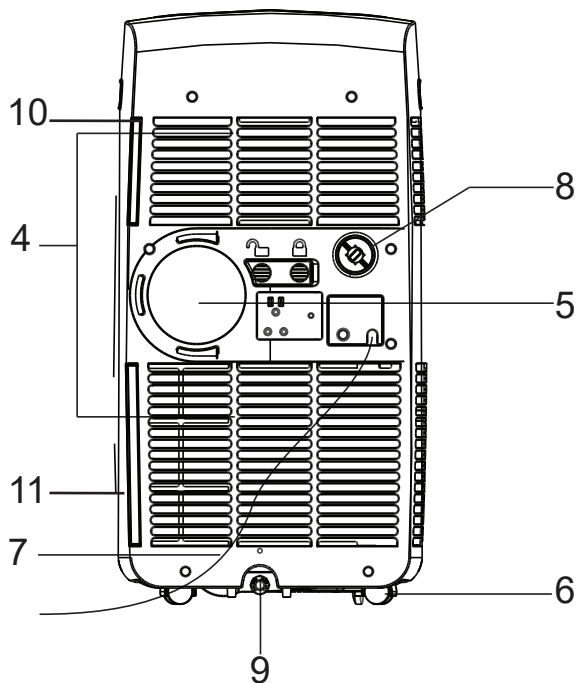
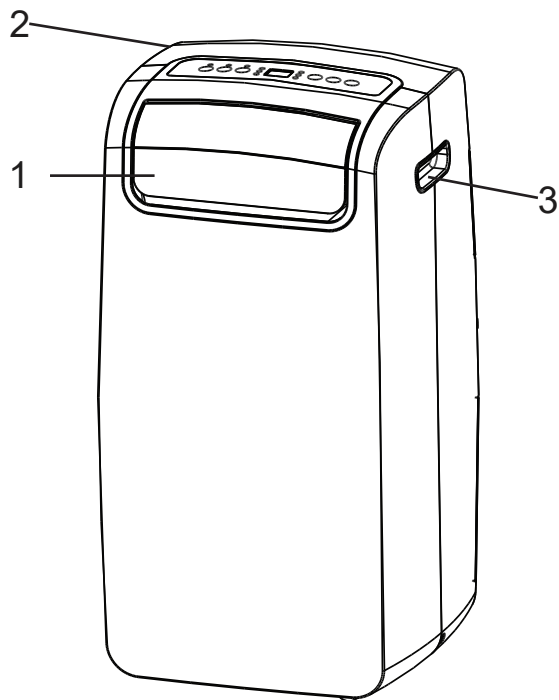


Some models require a 115/120-volt AC, 60-Hz grounded outlet protected with a 15-amp time-delay fuse or circuit breaker.

The 3-prong grounding plug minimizes the possibility of electric shock hazard. If the wall outlet you plan to use is only a 2-prong outlet, it is your responsibility to have it replaced with a properly grounded 3-prong wall outlet.

# Installation Instructions

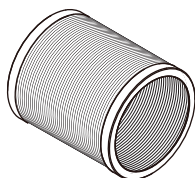
## PARTS INCLUDED (Appearance may vary)



- 1. Automatic Louvers
- 2. Control Panel
- 3. Handle
- 4. Air Inlet
- 5. Air Exhaust
- 6. Caster

- 7. Power Cord
- 8. Upper Drain
- 9. Lower Drain
- 10. Upper Filter
- 11. Lower Filter

**NOTE:** Please ensure if the water outlet drain is securely installed before use.



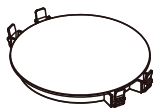
Exhaust Hose



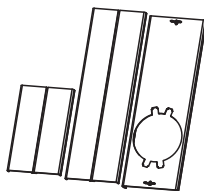
Hose Connector



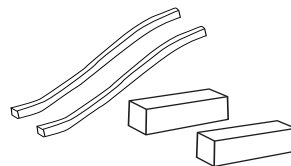
Hose Connector



Cover #5



Window Panel and Extension Panel (3)



Foam Seals

# Installation Instructions

## 1. LOCATION REQUIREMENTS

- Place the air conditioner on a flat, level surface in a location that is at least 20" (51 cm) from any wall.  
**NOTE:** The recommended distance from the window for optimal performance is 31.5 (80 cm).
- Maintain a minimum 20" (51 cm) clearance around the air conditioner to not block airflow.
- Keep the air conditioner free of any obstructions such as drapes, curtains, blinds, etc.
- The exhaust hose should be free of any obstructions.
- Do not place the air conditioner on an unstable or raised surface because it could fall and cause damage or injury.
- Do not place the air conditioner in direct sunlight or near a heat source such as baseboard heaters, stoves, etc.
- The window panel can be installed in a window with a minimum 20" (51 cm) to a maximum 46" (117 cm) opening.

## 2. UNPACK AIR CONDITIONER

### ⚠ WARNING

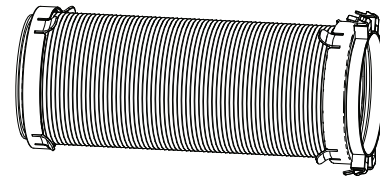
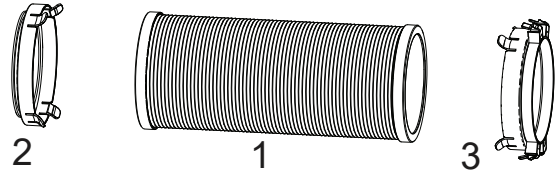
#### Excessive Weight Hazard

Use two or more people to move and install air conditioner.  
Failure to do so can result in back or other injury.

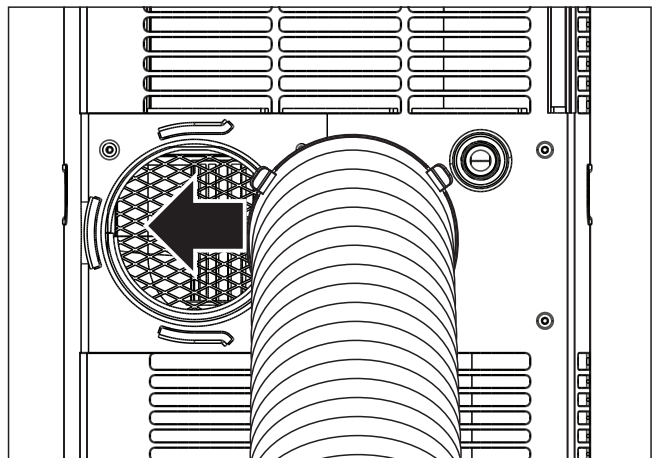
- Remove packaging materials. Save the carton and the foam packaging for storing the air conditioner when not in use.  
**NOTE:** There are NO packing materials inside the air conditioner to remove—Do Not open the cabinet.
- Properly dispose of/recycle all packing material.
- Handle the air conditioner gently.
- Keep the air conditioner upright and level. Do not set the air conditioner on its side, front, back or upside down.

## 3. INSTALL EXHAUST

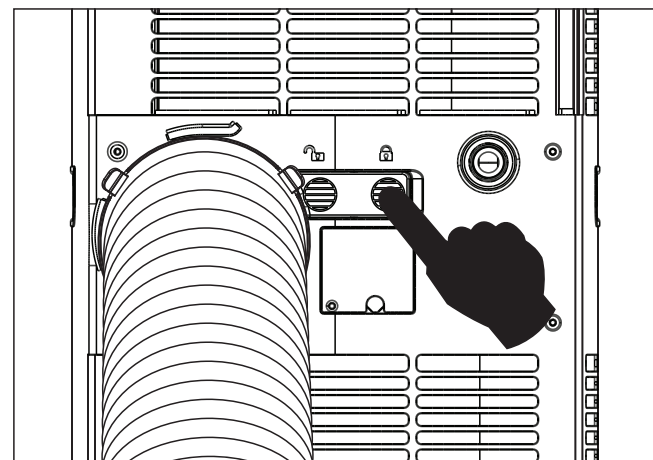
- A. Connect the connectors #2 and #3 to two sides of exhaust hose #1 to create an exhaust assembly.



- B. Sliding in one end of hose assembly (with hose connector #2) to rear panel.



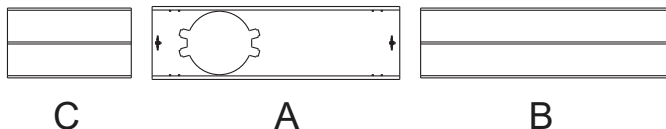
Then push the rocker switch to fix the hose assembly firmly.



# Installation Instructions

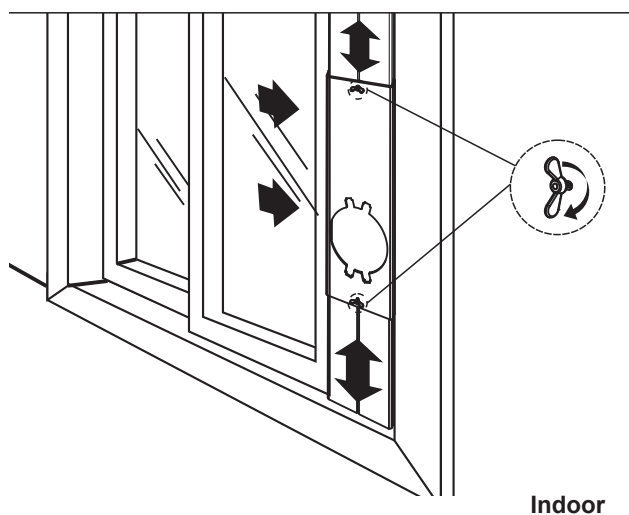
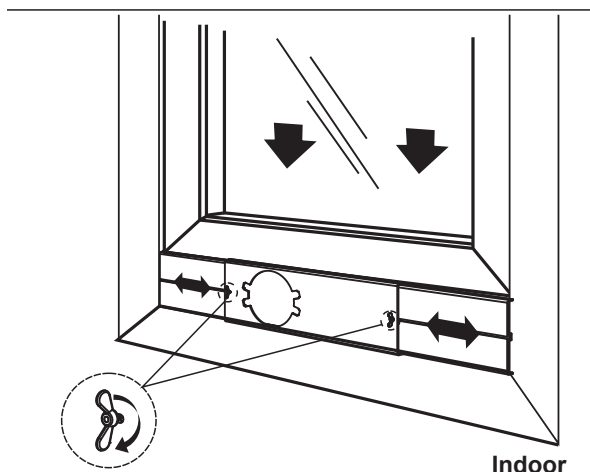
## 4. INSTALL WINDOW PANELS

A. Insert the window panel B and C to each end of the main panel A. Adjust to fix the length of window



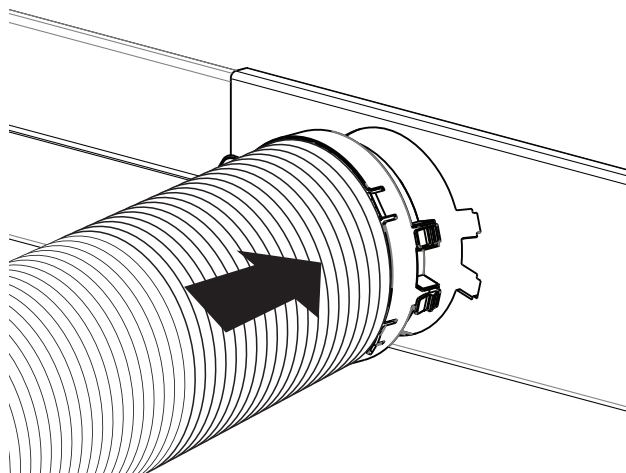
B. Open the window and place window panels into window. Adjust the extension panels to fit width or height of window by the screw and nut sets mounted on the main panel A.

C. Apply foam seals provided to top, bottom, and ends of the window panel to provide best air seal.



## 5. ATTACH EXHAUST HOSE TO THE EXHAUST NOZZLE

- Insert the other end of the exhaust hose assembly (with hose connector #3) onto the window bracket.



## 6. COMPLETE INSTALLATION

### ⚠ WARNING



#### Electrical Shock Hazard

Plug into a grounded 3 prong outlet.  
 Do not remove the ground prong from the power cord plug.  
 Do not use an adapter.  
 Do not use an extension cord.  
 Failure to do so can result in death, fire or electrical shock.

- Plug the power cord into a grounded 3 prong outlet.
- Press the Reset button on the power cord to ensure the safety plug is providing power to the air conditioner.
- Allow 20" of space around the unit for proper air circulation.
- When removing the portable air conditioner for storage, the window panel may be left in place. Simply place the cover (#5) over the hole on the window panel.

# Troubleshooting Tips

PROBLEM	POSSIBLE CAUSE(S)	SOLUTION
<b>Unit does not start or operate</b>	Power supply cord is not plugged into an outlet.	Plug the power cord into a grounded 3 prong outlet.
	Power supply cord has tripped.	Press and release the RESET button on the power supply cord.
	The Power button has not been pressed.	Press the Power button on the Control Panel or Remote Control to turn ON the air conditioner.
	There is no power to the electrical outlet.	Plug a working lamp into the outlet to check for power.
	A household fuse has blown or a circuit breaker has tripped.	Replace the fuse or reset the circuit breaker.
	The control was programmed for a Time Delay.	Cancel the Time Delay. See "Control Panel."
	The batteries in the remote control are dead.	Replace the batteries.
	The internal water tank is full. <b>NOTE:</b> The air conditioner automatically turns off, and the Water Full indicator illuminates to alert you of this condition.	Empty the water tank. See "Air Conditioner Care."
<b>Remote control is not working</b>	Batteries are dead.	Replace the batteries.
	Batteries are installed incorrectly.	Make sure the batteries are inserted in the correct position.
<b>Air conditioner is working but the room is not cooling.</b>	The room temperature is hot. <b>NOTE:</b> On extremely hot and humid days, the air conditioner will take longer to cool the room.	Allow time for the room to cool when you first turn on the unit. Make sure the air conditioner has an adequate BTU rating for the size of the room being cooled.
	The control is set incorrectly to Fan or Dehum mode.	Set the Mode to Cool and the Fan Speed to High.
	Airflow is restricted.	Remove any obstacles to the airflow and redirect airflow for uniform cooling.
	Temperature set too high.	Lower the set temperature.
	Air filters are dirty or restricted.	Clean the air filter. See "Air Conditioner Care."
	Air conditioner installed incorrectly	Check the exhaust hose and window panel for proper installation.
	Doors and windows are open.	Close the doors and windows to the room being cooled to prevent cooled air from escaping.



# Limited Warranty

For The Period Of:	Will Replace:
One Year From the date of the original purchase	<b>Replacement, repair, or refund</b> of the original retail price for any product which fails due to a defect in materials or workmanship. If the unit is exchanged, the replacement unit is warranted for the remainder of your product's original one-year warranty period. GEA will, at its sole discretion, replace the product with a product of the same or comparable functionality and quality or refund the original retail price.

## In Order to Make a Warranty Claim During the First 90 Days from the Date of Original Purchase:

- Properly pack your unit. We recommend using the original carton and packing materials.
- Return the product to the retail location where it was purchased.
- Include in the package a copy of the sales receipt or other evidence of date of original purchase. Also print your name and address and a description of the defect.

## In Order to Make a Warranty Claim During the Remainder of the One-Year Warranty:

- Locate your original sales receipt and make a note of your model and serial number.
- Call 800.GE.Cares (800.432.2737) (in the United States) to initiate the product replacement process. In Canada, call 1.877.470.9174.
- You will be asked to provide your name, address, date of purchase, model and serial number.
- GE Appliances will arrange for a carton to be sent to your home to recover the product.
- Please return all requested materials (postage pre-paid) in the carton provided. Please include a description of the defect.
- You should receive your replacement product or refund within 7 to 10 business days after your package is received.

## What Will Not Cover:

- Customer instruction. This owner's manual provides information regarding operating instructions and user controls.
- Improper installation. If you have an installation problem, or if the air conditioner is of improper capacity, contact your dealer or installer. You are responsible for providing adequate electrical connecting facilities.
- Failure of the product resulting from modifications to the product or due to unreasonable use including failure to provide reasonable and necessary maintenance.
- Replacement of house fuses or resetting of circuit breakers.
- Failure due to corrosion on models not corrosion-protected.
- Damage to the product caused by improper power supply voltage, accident, fire, floods or acts of God.
- Incidental or consequential damage caused by possible defects with this air conditioner.
- Damage caused after delivery.

**EXCLUSION OF IMPLIED WARRANTIES - Your sole and exclusive remedy is product repair as provided in this Limited Warranty. Any implied warranties, including the implied warranties of merchantability or fitness for a particular purpose, are limited to one year or the shortest period allowed by law.**

**For US Customers:** This limited warranty is extended to the original purchaser and any succeeding owner for products purchased for home use within the USA. If the product is located in an area where service by a GE Appliances Authorized Servicer is not available, you may be responsible for a trip charge or you may be required to bring the product to an Authorized GE Appliances Service location for service. In Alaska, the limited warranty excludes the cost of shipping or service calls to your home.

Some states do not allow the exclusion or limitation of incidental or consequential damages. This limited warranty gives you specific legal rights, and you may also have other rights which vary from state to state. To know what your legal rights are, consult your local or state consumer affairs office or your state's Attorney General.

**Warrantor US:**  
**GE Appliances, a Haier company**  
**Louisville, KY 40225**

Staple your receipt here. Proof of the original purchase date is needed to obtain service under the warranty.

# Consumer Support

---

## GE Appliances Website

Have a question or need assistance with your appliance? Try the GE Appliances Website 24 hours a day, any day of the year! You can also shop for more great GE Appliances products and take advantage of all our on-line support services designed for your convenience. In the US: **GEAppliances.com**

---

## Register Your Appliance

Register your new appliance on-line at your convenience! Timely product registration will allow for enhanced communication and prompt service under the terms of your warranty, should the need arise. You may also mail in the pre-printed registration card included in the packing material. In the US: **GEAppliances.com/register**

---

## Schedule Service

Expert GE Appliances repair service is only one step away from your door. Get on-line and schedule your service at your convenience any day of the year. In the US: **GEAppliances.com/service** or call 800.432.2737 during normal business hours.

---

## Extended Warranties

Purchase a GE Appliances extended warranty and learn about special discounts that are available while your warranty is still in effect. You can purchase it on-line anytime. GE Appliances Services will still be there after your warranty expires. In the US: **GEAppliances.com/extended-warranty** or call 800.626.2224 during normal business hours.

---

## Remote Connectivity

For assistance with wireless network connectivity (for models with remote enable), visit our website at **GEAppliances.com/connect** or call 800.220.6899 in the US.

---

## Parts and Accessories

Individuals qualified to service their own appliances can have parts or accessories sent directly to their homes (VISA, MasterCard and Discover cards are accepted). Order on-line today 24 hours every day. In the US: **GEApplianceparts.com** or by phone at 877.959.8688 during normal business hours.

**Instructions contained in this manual cover procedures to be performed by any user. Other servicing generally should be referred to qualified service personnel. Caution must be exercised, since improper servicing may cause unsafe operation.**

---

## Contact Us

If you are not satisfied with the service you receive from GE Appliances, contact us on our Website with all the details including your phone number, or write to:

In the US: General Manager, Customer Relations | GE Appliances, Appliance Park | Louisville, KY 40225  
**GEAppliances.com/contact**





# ACONDICIONADORES DE AIRE PARA SALA

**INFORMACIÓN DE SEGURIDAD** .....3

**USO DEL ACONDICIONADOR DE AIRE**  
Controles .....4

**CUIDADO Y LIMPIEZA**  
Filtro de aire .....8

**INSTRUCCIONES DE INSTALACIÓN** .....9

**SOLUCIONAR PROBLEMAS** ....13

**GARANTÍA LIMITADA** .....15

**SOPORTE PARA EL CONSUMIDOR** .....16

## MANUAL DEL PROPIETARIO Y INSTRUCCIONES DE INSTALACIÓN

APCA08  
APCA10

Escriba los números de modelo y serie aquí:

# de Modelo \_\_\_\_\_

# de Serie \_\_\_\_\_

Puede encontrar estos números en una etiqueta en el costado del acondicionador de aire.

## **GRACIAS POR HACER QUE GE APPLIANCES SEA PARTE DE SU HOGAR.**

---

Ya sea que haya crecido usando GE Appliances, o que ésta es su primera vez, nos complace tenerlo en la familia.

Sentimos orgullo por el nivel de arte, innovación y diseño de cada uno de los electrodomésticos de GE Appliances, y creemos que usted también. Entre otras cosas, el registro de su electrodoméstico asegura que podamos entregarle información importante del producto y detalles de la garantía cuando los necesite.

Registre su electrodoméstico GE ahora a través de Internet. Sitios Web y números telefónicos útiles están disponibles en la sección de Soporte para el Consumidor de este Manual del Propietario.

También puede enviar una carta en la tarjeta de inscripción preimpresa que se incluye con el material embalado.



**GE APPLIANCES**

# INFORMACIÓN IMPORTANTE DE SEGURIDAD

## LEA TODAS LAS INSTRUCCIONES ANTES DE USAR

### INSTRUCCIONES IMPORTANTES DE SEGURIDAD

#### **⚠ ADVERTENCIA**

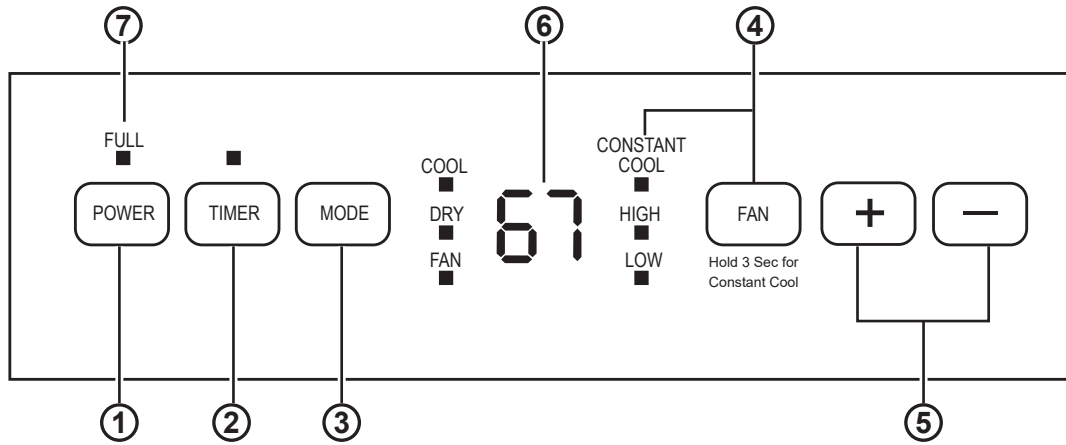
Para reducir el riesgo de incendio, choque eléctrico, lesiones a personas o daños al utilizar el acondicionador de aire, siga precauciones básicas, incluyendo las siguientes:

- Lea todas las instrucciones antes de usar este electrodoméstico.
  - Conecte a un contacto de pared de conexión a tierra de 3 terminales.
  - No quite el terminal de conexión a tierra.
  - No use un adaptador.
  - No use un cable eléctrico de extensión.
  - No ponga a funcionar el acondicionador de aire si tiene un cable o enchufe dañado, si no funciona correctamente o si se ha dañado o caído.
  - El acondicionador de aire solo debe ser reparado por personal de servicio competente. Llame a la compañía de servicio técnico autorizada para su inspección, reparación o ajuste.
  - Desconecte el suministro de energía antes de darle servicio técnico.
- Desconecte el suministro de energía antes de limpiarlo.. **NOTA:** Si apaga la unidad presionando el botón Power (Encendido), esto NO desconecta el electrodoméstico del suministro de energía.
  - No instale ni utilice el acondicionador de aire en áreas donde la atmósfera contenga gases combustibles o donde la atmósfera esté contaminada. Evite que cualquier producto químico entre en contacto con el acondicionador de aire.
  - No almacene nada directamente encima del acondicionador de aire.
  - Con la ayuda de dos o más personas, mueva e instale el acondicionador de aire.
  - Nunca haga funcionar el acondicionador de aire si los filtros de aire no están colocados en su lugar.
  - No utilice el acondicionado de aire cerca de una tina, ducha o lavabo ni otra zona húmeda.

**LEA Y GUARDE ESTAS INSTRUCCIONES**

# Controles

Las luces al lado de las teclas de toque en el panel de control del acondicionador de aire indicarán los ajustes seleccionados. Las funciones y el aspecto pueden variar.



## Controles del acondicionador de aire

### BOTONES

#### 1. Control del encendido

El control del encendido enciende y apaga la unidad.

El control de potencia enciende y apaga la unidad. Las persianas se abrirán automáticamente cuando se encienda la alimentación.

#### 2. Temporizador

##### Apagado Automático:

Con el motor en el modo de funcionamiento, presione el botón del temporizador para seleccionar la cantidad de horas que desea que la unidad funcione en el modo de acondicionador de aire hasta que se apague de forma automática.

##### Encendido Automático:

Con el motor en el modo de espera, presione el botón del temporizador para seleccionar la cantidad de horas que desea que pasen hasta que la unidad comience a funcionar de forma automática en el modo de acondicionador de aire.

#### 3. Control de Modo

El control de modo posee tres configuraciones: COOL (Refrigeración), DRY (Seco), y FAN (Ventilación). Las configuraciones son ajustadas con el botón Mode Control (Control de Modo). Una luz indicará qué configuración está siendo usada actualmente.

##### Modo de Refrigeración

Cuando el modo de refrigeración sea seleccionado, la luz indicadora cambiará a verde. Durante el modo de refrigeración, el aire es enfriado y el aire caliente es extraído hacia afuera a través de las tuberías del extractor. Ajuste la velocidad del ventilador y la temperatura del aire hasta el nivel de confort deseado. **NOTA: La manguera de intercambio de aire deberá ventilar hacia afuera de la sala al usar el modo de refrigeración.**

##### Modo Seco - Deshumidificación

Cuando el modo de deshumidificación sea seleccionado, la luz indicadora cambiará a verde. El aire es deshumidificado al pasar a través de la unidad, sin estar en el modo de refrigeración total. Si la temperatura del ambiente es superior a 77 grados Fahrenheit, la velocidad del ventilador podrá ser ajustada; de otro modo la velocidad del ventilador es ajustada en "Low" (Bajo). **NOTA: Si la unidad será**

**usada como deshumidificador, no conecte la manguera del extractor; permita que el aire caliente regrese a la sala. El drenaje de agua continuo será entonces necesario (consulte la página 8).**

##### Modo de Ventilación

Cuando el modo de ventilación sea seleccionado, la luz indicadora brillará de color verde. El aire circulará a través de toda la sala sin refrigeración. **NOTA: No es necesario que la unidad sea ventilada en el modo Fan (Ventilación).**

#### 4. Control de Velocidad del Ventilador

El Control de Velocidad del Ventilador cuenta con 2 configuraciones: High (Alto) and Low (Bajo).

Mantenga presionado el botón FAN durante 3 segundos, el ventilador continuará funcionando cuando se alcance la temperatura. El indicador luminoso de luz constante se encenderá.

#### 5. Controles de Configuración del Temporizador/ Temperatura

- Se usan para ajustar el temporizador y el termostato.
- La pantalla por omisión es la temperatura del ambiente.
- Cuando el botón + o - sea presionado en el modo de refrigeración, la temperatura configurada será exhibida y podrá ser ajustada. Luego de 10 segundos, la pantalla regresará a la temperatura del ambiente. La temperatura sólo podrá ser ajustada en el modo de refrigeración. La hora podrá ser ajustada entre 1 y 24 horas.

**NOTA: Al presionar los Botones + y - al mismo tiempo, la pantalla alternará entre Celsius y Fahrenheit. La temperatura no podrá ser ajustada en los modos de ventilación o deshumidificación.**

#### 6. Pantalla

#### 7. Luz de Advertencia

Se podrá acumular agua condensada en la unidad. Si el tanque interno se llena, la luz de advertencia se iluminará y la unidad no funcionará hasta que la misma haya sido drenada.

# Contrôles

## Control Remoto

- Para garantizar una operación apropiada, oriente el control remoto hacia el receptor de señal del acondicionador de aire.
- Cerciórese de que no haya nada entre el acondicionador de aire y el control remoto que pueda bloquear la señal.

- El receptor de señal tiene un rango máximo de 20 pies.
- Cerciórese de que las baterías sean frescas y se instalen correctamente según se indica en el control remoto.
- El control remoto cuenta con un imán que permite adherirlo a superficies metálicas.

### 1. Mise en marche (ON) ou en arrêt (OFF)

### 2. Mode

**Refroidissement** :Témoins DEL bleus en mode refroidissement.

**Déshumidification** :Témoins DEL jaunes en mode déshumidification.

**Ventilateur** :Témoins DEL verts en mode ventilateur.

### 3. Vitesses de ventilateur

Sélectionnez entre plusieurs vitesses de ventilateur. Le nombre de vitesses de ventilation varie selon le modèle. En mode déshumidification, si la température de la pièce est supérieure à 77° F, on peut modifier la vitesse du ventilateur; sinon cette vitesse est fixée à « basse ».

### 4. Minuterie de mise en marche/arrêt

Pour régler un délai de minuterie de 1 à 24 heures avant la mise à l'arrêt du climatiseur :

1. Lorsqu'on utilise le bouton de réglage de la minuterie pendant que l'appareil fonctionne, on peut pré-régler un délai de mise à l'arrêt de l'appareil.
2. Lorsqu'on utilise le bouton de réglage de la minuterie pendant que l'appareil est en mode veille, on peut indiquer un délai de remise en marche de l'appareil.
3. Si l'on presse le bouton ON/OFF (marche/arrêt), le réglage de minuterie en cours sera annulée.
4. La plage de réglage de la minuterie s'étend de 1 à 24 heures.

#### Pour effacer la programmation des délais de minuterie

**REMARQUE:** Le climatiseur peut être en marche ou en arrêt.

1. Appuyer sur le bouton TIMER(minuterie).
2. Presione los botones o-continuamente hasta que aparezca "00" para cancelar la función del temporizador.

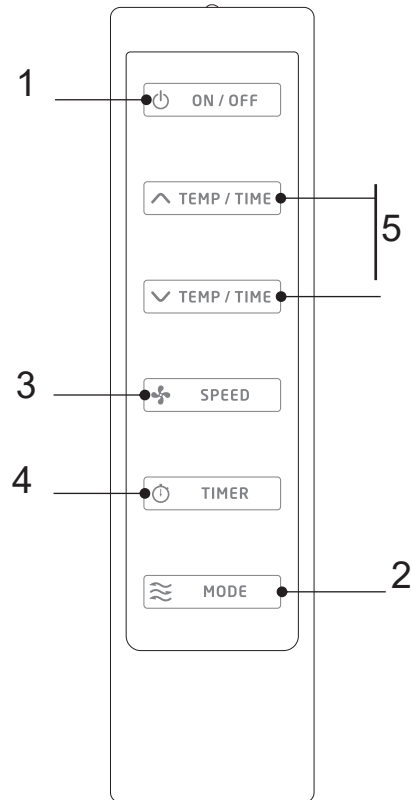
#### Pour modifier le temps restant (en heures) :

1. Appuyer sur le bouton TIMER.
2. Appuyer sur le bouton « plus »ou « moins »pour modifier le délai de 1 à 24 heures.
3. Le nouveau délai s'affichera.

### 5. Régler la température.

Pour régler la température, appuyer sur le bouton ^ ou v pour abaisser ou élever la température. On peut modifier la température en mode refroidissement, mais cela est impossible dans les modes ventilateur et déshumidificateur.

**REMARQUE :** La température peut se régler entre 61° F et 89° F (mode refroidissement).



## Controles

La pantalla siempre mostrará la temperatura del ambiente por omisión.

Cuando el acondicionador de aire sea encendido, se iniciará de forma automática en las configuraciones de modo y ventilación que fueron usadas por última vez.

### Modo de Refrigeración

Use el modo COOL (Refrigeración) para enfriar.

Para configurar el modo COOL (Refrigeración):

1. Presione la tecla MODE (Modo) hasta que la luz indicadora de COOL (Refrigeración) esté encendida.
2. Presione la tecla FAN (Ventilador) para configurar la velocidad del ventilador en HIGH (Alto) o LOW (Bajo).
3. Presione + o - para configurar la temperatura deseada entre 61°F y 89°F por incrementos de 1°F.

Una vez aplicadas las configuraciones, la pantalla volverá a mostrar la temperatura ambiente.

El control de temperatura se usa para mantener la temperatura del ambiente. El compresor realizará el ciclo de encendido y apagado para mantener la sala en el nivel de confort configurado. Configure el control de temperatura en un número más bajo, y el aire interior comenzará a ser más frío. Configure el control de temperatura en un número más alto, y el aire interior comenzará a ser más caliente.

**NOTA:** Si el acondicionador de aire está apagado y luego es encendido en la configuración COOL (Refrigeración), pasarán aproximadamente 3 minutos hasta que el compresor se inicie y comience la refrigeración.

### Descripciones de Refrigeración

**Para un Enfriamiento Normal**—Seleccione el modo COOL (Refrigeración) y la velocidad del ventilador en HIGH (Alto) con una temperatura en la configuración intermedia.

**Para un Enfriamiento Máximo**—Seleccione el modo COOL (Refrigeración) y la velocidad del ventilador en HIGH (Alto) con una temperatura en una configuración baja.

**Para un Enfriamiento Más Suave y Nocturno**—Seleccione el modo COOL (Refrigeración) y la velocidad del ventilador en LOW (Bajo) con una temperatura en la configuración intermedia.

**NOTA:** Si pasa de la configuración del modo COOL (Refrigeración) o DRY (Seco) a OFF (Apagado), espere 3 minutos antes de realizar el reinicio.

**En el modo Frío, el ventilador se apagará con el compresor cuando se alcance la temperatura ambiente. Luego, el ventilador realizará un ciclo de 10 minutos de apagado y 2 minutos en la temperatura del aire**

### Modo de enfriamiento constante

Utilice el modo de enfriamiento constante para un enfriamiento económico.

Para establecer el modo de enfriamiento constante:

1. Presione el botón FAN durante 3 segundos hasta que se encienda la luz indicadora Constant Cool.
2. Presione el botón FAN para establecer la velocidad alta o baja del ventilador.

3. Presione + o - para configurar la temperatura deseada entre 61 ° F y 89 ° F en incrementos de 1 ° F.

En el modo de enfriamiento constante, el ventilador continuará funcionando cuando se alcance la temperatura..

### Modo DRY (Seco) - Deshumidificación

Use el modo DRY (Seco) sólo para aplicar la deshumidificación. El ventilador funcionará en una velocidad fija en esta configuración, de modo que no será posible configurar la velocidad de la ventilación. Mantenga las ventanas y puertas cerradas para lograr los mejores efectos de deshumidificación.

Para configurar el modo DRY (Seco):

• Presione la tecla MODE (Modo) hasta que la luz indicadora de DRY (Seco) esté encendida

En el modo DRY (Seco), no se mostrará una temperatura configurada. Una vez configurado el modo DRY (Seco), la pantalla volverá a mostrar la temperatura ambiente.

**NOTA:** Si pasa de una configuración de DRY (Seco) a OFF (Apagado) o a una configuración del ventilador, espere por los menos 3 minutos antes de volver a pasar a una configuración de DRY (Seco).

Si usará la unidad en el modo DRY (Seco) como deshumidificador durante un período de tiempo prolongado:

1. Desenchufe el cable de corriente.
2. Conecte una manguera de drenaje (no incluida) al puerto de drenaje central (consulte la página 9, drenaje superior nº 8) y una manguera principal al drenaje del piso.
3. Vuelva a conectar el cable de corriente y presione la tecla MODE (Modo) hasta que la luz indicadora de DRY (Seco) esté encendida.

### Modo de Ventilación

Use el modo FAN (Ventilación) para brindar circulación de aire y filtrar sin refrigerar.

Para configurar el modo FAN (Ventilación):

- Presione la tecla FAN (Ventilación) hasta que la luz indicadora deseada de velocidad en HIGH (Alto) o LOW (Bajo) esté encendida.

Debido a que las configuraciones de sólo ventilador no brindan refrigeración, no será exhibida una temperatura configurada. Una vez configurada la velocidad de FAN (Ventilación), la pantalla volverá a mostrar la temperatura ambiente.

### Función de Recuperación por Corte de Suministro

En caso de corte de suministro o interrupción, la unidad se reiniciará de forma automática en las configuraciones usadas por última vez una vez restablecido el servicio.

**NOTA:** Si TIMER (Temporizador) fue configurado antes del corte de corriente, será necesario reiniciar el mismo una vez restablecido el servicio.

## Uso del Acondicionador de Aire

**IMPORTANT** : Si le climatiseur a été incliné sur le côté, patienter 24 heures avant de le remettre en marche pour laisser le temps à l'huile de rejoindre le compresseur. Cela évitera au climatiseur de tomber en panne prématurément.

- Laisser un dégagement de 20" (51 cm) autour de l'appareil pour permettre à l'air de circuler correctement.
- Ne Pas faire fonctionner le climatiseur si les filtres à air ne sont pas en place.
- Ne pas renverser de liquide sur le tableau de commande; cela pourrait provoquer un court-circuit électrique vers les composants électroniques intérieurs et entraîner leur désactivation ou leur dysfonctionnement.
- Lorsque l'on allume le climatiseur pour la première fois après l'avoir branché sur une prise électrique, l'appareil démarre en mode de refroidissement réglé sur 75 °F (24 °C), et sur une vitesse de ventilateur élevée. Le tableau de commande affiche la température actuelle de la pièce.
- Lorsque l'appareil est rallumé, les réglages précédemment

utilisés sont mémorisés.

- Après avoir éteint l'appareil selon la procédure normale, attendre 3 minutes avant de redémarrer l'appareil.
- En mode de refroidissement, il n'est pas nécessaire de retirer de l'eau de l'appareil. Ce modèle unique a été conçu de manière à évaporer l'eau de façon continue.
- Lorsque l'appareil fonctionne dans un environnement très humide, il peut être nécessaire de vider le réservoir d'eau régulièrement.
- L'appareil s'éteint automatiquement lorsque le réservoir d'eau est plein. À ce moment-là, le témoin Water Full (réservoir d'eau plein) s'allume pour vous avertir.
- The louvers will automatically open when the power is turned on. The louvers will close when the power is turned off.
- Las persianas se abrirán automáticamente cuando se encienda la alimentación. Las persianas estarán cerradas cuando se apague la alimentación.

# Cuidado y Limpieza

## LIMPIEZA

### ⚠ ADVERTENCIA



**Riesgo de descarga eléctrica.**  
**Desconecte la fuente de alimentación antes de limpiar.**  
**El incumplimiento de estas instrucciones puede provocar la muerte o una descarga eléctrica**

1. Desenchufe o desconecte el suministro de energía.
2. Útil solamente un paño dulce humedecido con agua para limpiar el gabinete.

#### NOTA:

- No use un limpiador líquido o con rociador para limpiar el acondicionador de aire.
- No usar productos químicos, abrasivos, amoníaco, blanqueador con cloro, detergentes concentrados, solventes o estropajos de metal. Algunos de estos artículos / productos químicos pueden dañar y / o decolorar su acondicionador de aire.

3. Ve bien con un paño dulce.
4. Enchufe o vuelva a conectar el suministro de energía..

## FILTROS DE AIRE

Los filtros de aire deben limpiarse al menos una vez a la semana para garantizar que la unidad funcione con una eficiencia óptima.

### ⚠ PRECAUCIÓN

No opere el acondicionador de aire si los filtros de aire no

están en su lugar.

Para eliminar:

1. Desenchufe o desconecte el suministro de energía.
2. Jale de las lengüetas para deslizar los filtros de la parte.

Posterior del acondicionador de zona.

NOTA: Los filtros secundarios están disponibles una vez que se muestran los filtros principales.

3. Lava o chupa el polvo de los filtros de aire.

NOTA: Si se lava, agite el filtro para eliminar el exceso de partículas de polvo atrapadas en el filtro.

4. Vuelva ha instalado los filtros.
5. Enchufe o vuelva a conectar el suministro de energía.

## TANQUE DE AGUA INTERIOR

El indicador de agua llena se ilumina cuando el tanque de agua interno está lleno de agua de condensación.

Vaciar el depósito de agua interno:

1. Desconecte o desconecte la fuente de alimentación eléctrica.
2. Coloque un recipiente hueco con una capacidad mínima de 1 cuarto (no incluido) debajo de la piscina de drenaje inferior en la parte posterior del

acondicionador de aire (cerca de la parte inferior).

3. Retire la tapa y el tapón de goma y drene el tanque de agua.
4. Vuelva a instalar el tapón de drenaje y apriete firmemente la tapa.
5. Conecte el dispositivo o vuelva a conectar la fuente de alimentación

## RANGEMENT

Durante largos periodos de infantilización del dispositivo:

1. Desconecte o desconecte la fuente de alimentación eléctrica.
2. Drene el agua del tanque de agua. Consulte Mantenimiento de la

acondicionador de aire.

3. Coloque la unidad en su embalaje original para evitar la acumulación de polvo o suciedad.
4. Guarde el aire acondicionado en un lugar fresco y seco.

## CÓMO INSERTAR LAS PILAS EN EL CONTROL REMOTO

1. Retire la cubierta de la pila deslizándola de acuerdo con la dirección de la flecha.
2. Inserte pilas nuevas cerciorándose de que los polos positivos (+) y negativos (-) están orientados correctamente.
3. Coloque la cubierta otra vez deslizándola en su lugar.

#### NOTAS:

- Use 2 pilas alcalinas "AAA" de 1,5 voltios. No use pilas recargables.
- Retire las pilas del control remoto si no va a usar el sistema por un periodo prolongado.
- No mezcle baterías nuevas y viejas. No mezcle baterías alcalinas, estándar (carbono-cinc) orecargables (ni-cad, ni-mh, etc).



# Instrucciones de instalación

¿Preguntas? Llame a GE Appliances al 800.GE.CARES (800.432.2737) o visite nuestro sitio web en: [GEAppliances.com](http://GEAppliances.com). En Canadá, llame al 1.800.561.3344 o visite nuestro Sitio Web en: [www.GEAppliances.ca](http://www.GEAppliances.ca)

## ANTES DE INICIAR

Lea estas instrucciones completa y cuidadosamente.

- **IMPORTANTE** — Guarde estas instrucciones para uso del inspector local.
- **IMPORTANTE** — Observe todos los códigos y órdenes de ley.
- **Nota al instalador** – Asegúrese de dejar estas instrucciones con el consumidor.
- **Nota al consumidor** – Conserve estas instrucciones para referencia futura.
- **Nivel de destreza** – La instalación de este aparato requiere de destrezas mecánicas básicas.
- **Tiempo de ejecución** – Aprox. 1 hora
- Recomendamos dos personas para la instalación de este producto.
- La instalación apropiada es la responsabilidad del instalador.
- La falla del producto debido a una instalación inadecuada no está cubierta por la garantía.
- Cuando instale este acondicionador de aire, DEBE usar todas las piezas suministradas y usar procedimientos adecuados de instalación.

## ⚠ PRECAUCIÓN

Bajo ninguna circunstancia corte o remueva la tercera púa (conexión a tierra) del cable eléctrico.

No cambie el enchufe en el cable eléctrico de este acondicionador de aire.

Los cables caseros de aluminio podrían presentar problemas especiales. Consulte a un técnico electricista calificado.

El cable de alimentación incluye un dispositivo para interrupción de corriente. Se incluye un botón de prueba y de reinicio en el dispositivo. El dispositivo debe ponerse a prueba periódicamente: primero se presiona el botón de TEST (prueba) y luego RESET (reinicio) mientras se encuentra enchufado al tomacorriente. Si el botón TEST no se dispara o si el botón RESET no queda enganchado, deje de utilizar el acondicionador de aire y comuníquese con un técnico calificado.

## Requisitos eléctricos



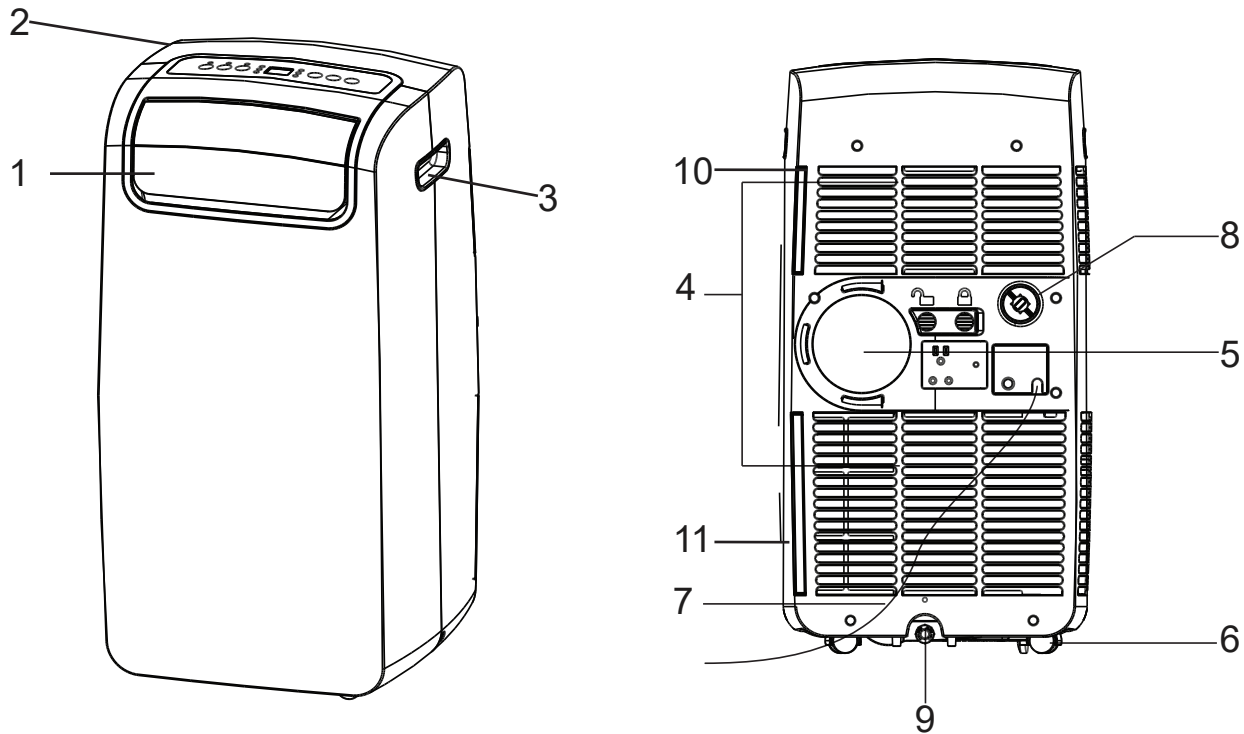
Algunos modelos requieren tomacorrientes de 115/120 voltios de corriente alterna y 60 Hz conectados a tierra, protegidos con un fusible de dilatación de tiempo de 15 amperios o un cortacircuitos.

El enchufe de tres púas con conexión a tierra minimiza la posibilidad de descargas eléctricas. Si el tomacorriente de la pared que usted planea usar solamente tiene 2 tomas, es su responsabilidad hacer que un técnico lo reemplace por uno de tres tomas con conexión a tierra.

# Instrucciones de instalación

## PARTES INCLUIDAS

(Apariencia puede variar)



- 1. Lumbreras automáticas
- 2. Panel de Control
- 3. Manija
- 4. Entrada de Aire
- 5. Salida de Aire
- 6. Ruedita
- 7. Cable de Corriente

- 8. Drenaje Superior
- 9. Drenaje Inferior
- 10. Filtro Superior
- 11. Filtro Inferior

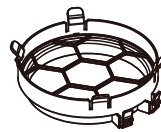
**NOTA:** Por favor, asegúrese de que el drenaje de la salida de agua se encuentre instalado de forma segura antes de su uso.



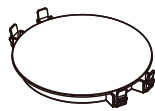
Tubería de evacuación



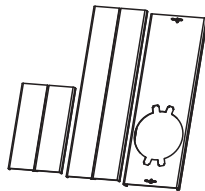
Conexión de tubería



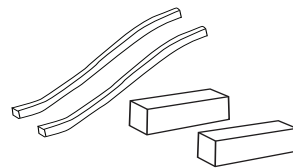
Conexión de tubería



Tapa # 5



Panel de ventana y panel de extensión (3)



Selladores de gomaespuma

## 1. REQUISITOS DE UBICACIÓN

- Coloque el acondicionador de aire en una superficie plana y nivelada a al menos 20 "(51 cm) de cualquier pared.

**NOTA:** La distancia recomendada desde la ventana para un rendimiento óptimo es de 31.5 "(80 cm).

- Mantenga una distancia de al menos 20 "(51 cm) alrededor del acondicionador de aire para evitar obstruir el flujo de aire.
- No obstruya el aire acondicionado de ninguna manera (cortinas, persianas, etc.).
- La manguera de drenaje debe estar libre de obstrucciones.
- No coloque el aire acondicionado sobre una superficie inestable o elevada. Esto podría volcarse y causar daños o lesiones.
- Mantenga el acondicionador de aire alejado de la luz solar directa o fuentes de calor (calentadores de zócalo, estufas, etc.).
- El panel de la ventana se puede instalar en una ventana con una abertura de 20 "(51 cm) como mínimo a 46" (117 cm) como máximo.

## 2. DESEMPAQUE SU ACONDICIONADOR DE AIRE

### ⚠ADVERTENCIA

#### Peligro de Peso Excesivo

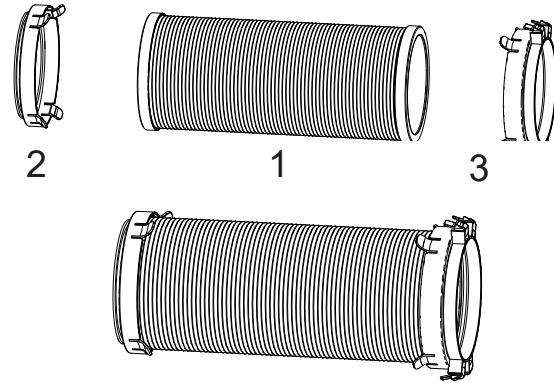
- Use dos o más personas para mover e instalar el acondicionador de aire.
- No seguir esta instrucción puede ocasionar una lesión en la espalda u otro tipo de lesiones.
- Quite los materiales de empaque. Guarde la caja y el empaque de espuma para almacenar el acondicionador de aire cuando no esté en uso.

**NOTA:** NO hay materiales de empaque internos dentro del acondicionador de aire para quitar. No abra el gabinete.

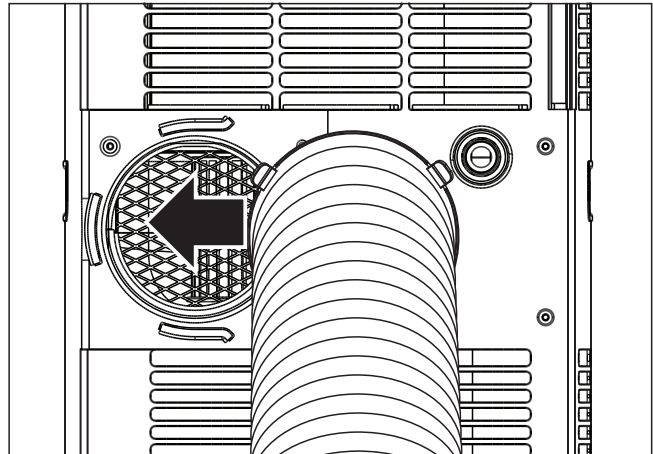
- Deshágase adecuadamente de todos los materiales de empaque o recíclelos.
- Manipule el acondicionador de aire con cuidado.
- Mantenga el acondicionador de aire en posición vertical y nivelado. No coloque el acondicionador de aire de costado, sobre su parte frontal, su parte posterior o al revés.

## 3. INSTALACIÓN DEL EXTRACTOR

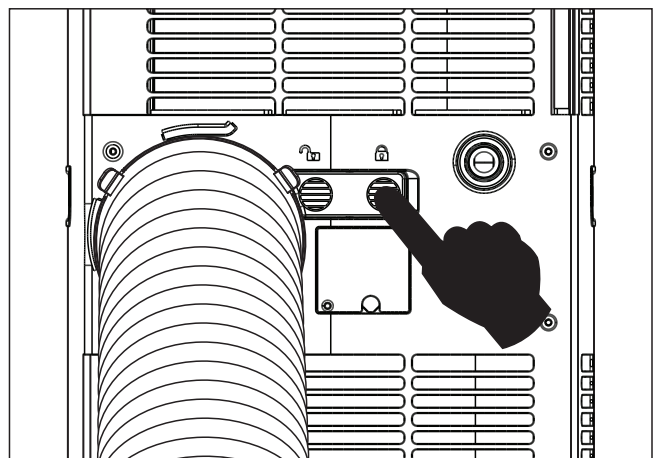
1. Conecte los conectores n° 2 y n° 3 sobre los dos lados de la manguera del extractor n° 1, a fin de crear un ensamble con el extractor.



2. Deslice un extremo del ensamble de la manguera (con el conector de manguera n° 2) sobre panel trasero.



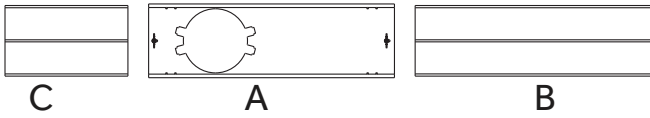
Luego empuje el interruptor basculante para que el ensamble de la manguera sea colocado de manera firme.



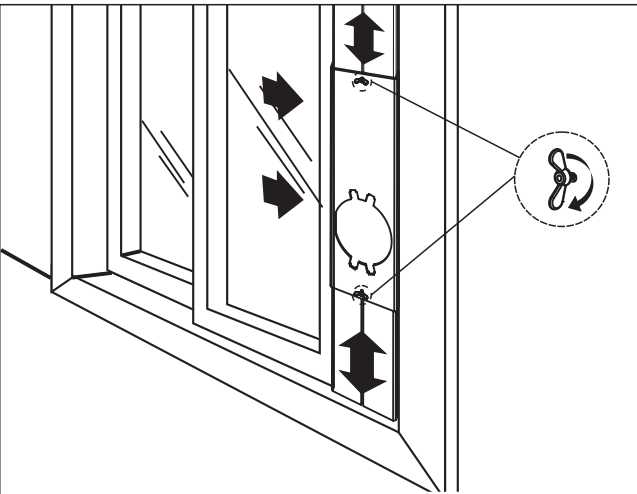
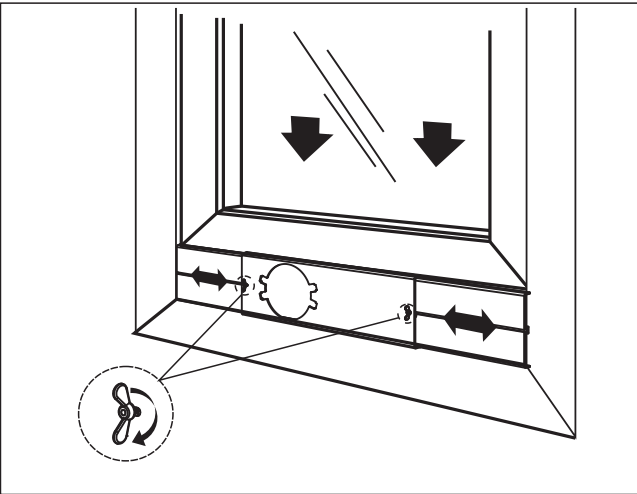
# Instrucciones de instalación

## 4. INSTALE LOS PANELES DE VENTANA

1. Inserte los paneles de ventana B y C en cada extremo del panel principal A. Haga ajustes para hacer coincidir la extensión de la ventana.

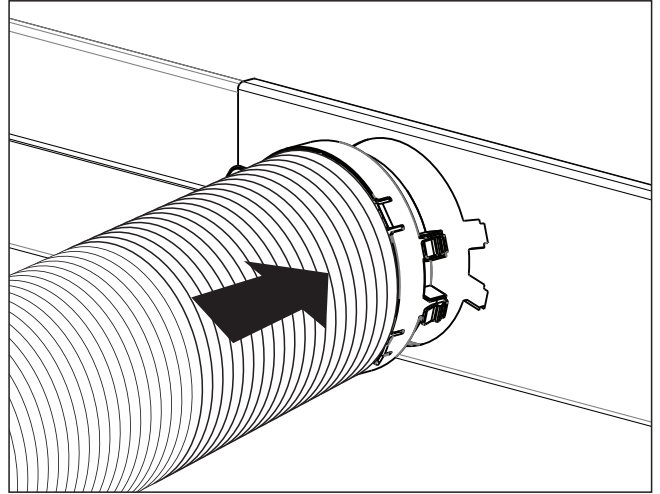


2. Abra la ventana y coloque los paneles de ventana en la ventana. Ajuste los paneles de ventana para que coincidan con el ancho y alto de la ventana con el conjunto de tornillos y tuercas montados en el panel principal A.



## 5. ADHIERA LA MANGUERA DEL EXTRACTOR A LA BOCA DEL EXTRACTOR

1. Inserte el otro extremo del ensamble de la manguera del extractor (con el conector de manguera n° 3) en el soporte de la ventana.



## 6. COMPLETE LA INSTALACIÓN

### ⚠ ADVERTENCIA

#### Peligro de Choque Eléctrico:

- Conecte a un contacto de pared de conexión a tierra de 3 terminales.
- No quite el terminal de conexión a tierra del cable de alimentación.
- No use un adaptador.
- No use un cable eléctrico de extensión.
- No seguir estas instrucciones puede ocasionar la muerte, incendio o choque eléctrico.

**1. Conecte el cable eléctrico a un toma corriente de 3 terminales con conexión a tierra.**

**2. Presione el botón Reset (Restablecer) en el cable eléctrico para asegurar que el tapón de seguridad está proporcionando energía al acondicionador de aire.**

# Solucionar problemas

Problema	Causas posibles	Qué hacer
<b>La unidad no se pone en marcha ni funciona</b>	El cable de suministro de energía no está enchufado en un toma corriente.	Conecte el cable eléctrico a un toma corriente de 3 terminales con conexión a tierra.
	El cable de suministro de energía se ha disparado.	Presione y libere RESET (Restablecer) en el cable de suministro de energía.
	El botón Power (Encendido) no se ha presionado.	Presione el botón Power (Encendido) en el panel de control o el control remoto para ENCENDER el acondicionador de aire.
	El toma corriente eléctrico no recibe suministro eléctrico.	Enchufe una lámpara de trabajo en el toma corriente para verificar si hay energía.
	Se ha fundido un fusible de la casa o se ha disparado un cortacircuitos.	Reemplace el fusible o reposicione el cortacircuitos.
	El control fue programado para un tiempo diferido.	Cancele el tiempo diferido. Vea "Panel de control".
	Las pilas del control remoto están agotadas.	Reemplace las pilas.
	El tanque de agua interno está lleno. <b>NOTA:</b> El acondicionador de aire se apaga automáticamente y el indicador Water Full (Máximo nivel de agua) se ilumina para avisarle de este estado.	Vacíe el tanque de agua. Vea "Cuidado del acondicionador de aire".
<b>El control remoto no funciona</b>	Las pilas están agotadas.	Reemplace las pilas.
	Las pilas están insertadas de forma incorrecta.	Asegúrese de que las pilas se inserten en la posición correcta.
<b>El acondicionador de aire está funcionando, pero la habitación no se enfría.</b>	La temperatura de la habitación está caliente. <b>NOTA:</b> En días muy calurosos y húmedos, el acondicionador de aire necesitará más tiempo para enfriar la habitación.	Dé tiempo para que la habitación se enfríe cuando enciende la unidad por primera vez. Asegúrese de que el acondicionador de aire tenga una categoría de BTU (Unidad Térmica Británica) adecuada para el tamaño de la habitación que desea enfriar.
	El control se ha fijado incorrectamente en modo Fan (Ventilador) o Dry (Seco).	Fije el modo Cool (Enfriamiento) y la velocidad del ventilador en High (Alta).
	El flujo de aire ha disminuido.	Quite los obstáculos que bloquean el flujo de aire y redirija el flujo de aire para lograr un enfriamiento uniforme.
	La temperatura está fijada demasiado alta.	Baje la temperatura fijada.
	Los filtros de aire están sucios u obstruidos.	Limpie el filtro de aire. Vea "Cuidado del acondicionador de aire".
	El acondicionador de aire se ha instalado incorrectamente.	Verifique que la manguera de escape y el panel de la ventana estén correctamente instalados.
	Las puertas y las ventanas están abiertas.	Cierre las puertas y las ventanas de la habitación que desea enfriar para evitar que el aire enfriado se escape.



# Garantía Limitada

Por el período de:	GE Appliances reemplazarán:
<b>Un año</b> A partir de la fecha de la compra original	<b>Unidad de reemplazo</b> para cualquier producto que falle debido a defectos en los materiales o en el proceso de fabricación. La unidad de reemplazo está garantizada para el resto del período de un año de garantía original del producto. La unidad de reemplazo puede ser una nueva o una <b>reparada</b> .

## Si desea realizar una queja durante los primeros 90 días de la garantía desde la fecha original de compra:

- **Empaque su unidad apropiadamente. Recomendamos usar el cartón original y los materiales de empaquetado.**
- **Regrese el producto al local de ventas donde usted lo compró.**
- **Incluya en el paquete una copia del recibo de venta u otra evidencia de la fecha original de la compra. Además imprima su nombre y dirección y una descripción del defecto.**

## Si desea hacer una queja durante el año de garantía restante:

- **Ubique a su receptor original de ventas y haga una nota indicando su modelo y número de serie.**
- **Llame a GEA al 1.866.907.1655 a fin de iniciar el proceso de reemplazo del producto.**
- **Se le pedirá que dé su nombre, domicilio, fecha de adquisición, modelo y número de serie.**
- **GEA hará arreglos para que se envíe una caja a su hogar a fin de que pueda recuperar el producto.**
- **Deberá entregar el producto (con los gastos de correo previamente cubiertos por GEA) al centro de recuperación de GEA para que se pueda entregar una unidad de reemplazo. Incluya una descripción del defecto.**
- **Deberá recibir el producto de reemplazo entre los 7 y 10 días hábiles luego de que hayamos recibido su unidad.**

## Lo que no está cubierto:

- **Instrucciones al cliente. El Manual del propietario proporciona información acerca de las instrucciones de operación y de los controles del usuario.**
- **Instalación inapropiada. Si usted tiene un problema durante la instalación, o si su acondicionador de aire no tiene la capacidad de enfriamiento que usted necesita, póngase en contacto con nuestro distribuidor o instalador. Usted es responsable de proporcionar las facilidades de conexión eléctrica necesarias.**
- **Fallo del producto resultante de modificaciones al producto o debido a uso irrazonable incluyendo no proporcionar mantenimiento razonable y necesario.**
- **Reemplazo de fusibles de la casa o reajuste del sistema de circuitos.**
- **Fallo debido a la corrosión en modelos que no están protegidos contra la corrosión.**
- **Daño al producto causado por voltaje inapropiado hacia el equipo, accidentes, incendios, inundaciones o actos de la naturaleza de fuerza mayor.**
- **Daños incidentales o consecuenciales causados por defectos posibles con este acondicionador de aire.**
- **Causar daños después de la entrega.**

**EXCLUSIÓN DE GARANTÍAS IMPLÍCITAS—Su único y exclusivo derecho es el reemplazo del producto, tal y como se indica en esta Garantía limitada. Cualquier garantía implícita, incluyendo las garantías implícitas de comerciabilidad o adecuación para un fin determinado, están limitadas a un año o el período de tiempo más breve permitido por la ley.**

Para Clientes de EE.UU: Esta garantía limitada se extiende al comprador original y a cualquier dueño subsiguiente de productos comprados para uso hogareño dentro de EE.UU. Si el producto está en un área donde no se encuentra disponible un Proveedor Autorizado del Servicio Técnico de GE Appliances, usted será responsable por el costo de un viaje o se podrá requerir que traiga el producto a una ubicación del Servicio Técnico de GE Appliances Autorizado para recibir el servicio. En Alaska, la garantía limitada excluye el costo de envío o llamadas del servicio técnico a su hogar.

Algunos estados no permiten la exclusión o limitación de daños fortuitos o consecuentes. Esta garantía limitada le da derechos legales específicos y es posible que tenga otros derechos legales que varían entre un estado y otro. Para conocer cuáles son sus derechos legales, consulte a la oficina de asuntos del consumidor local o estatal o al Fiscal de su estado.

Garante en EE.UU:  
 GE Appliances, a Haier company  
 Louisville, KY 40225

Adroche su recibo aquí. Para acceder al servicio técnico de acuerdo con la garantía deberá contar con la prueba de la fecha original de compra.

# Soporte para el Consumidor

---

## GE Appliances Sitio Web

¿Desea realizar una consulta o necesita ayuda con su electrodoméstico? ¡Intente a través del Sitio Web de Electrodomésticos de GE Appliances las 24 horas del día, cualquier día del año! Usted también puede comprar más grandiosos productos de GE Appliances y sacar ventaja de todos nuestros servicios a través de Internet diseñados para su conveniencia.  
En EE.UU.: [GEAppliances.com](http://GEAppliances.com)

---

## Registre su Electrodoméstico

¡Registre su electrodoméstico nuevo a través de Internet, según su conveniencia! Un registro puntual de su producto permitirá una mejor comunicación y un servicio más puntual de acuerdo con los términos de su garantía, en caso de surgir la necesidad. También puede enviar una carta en la tarjeta de inscripción pre-impresa que se incluye con el material embalado.  
En EE.UU.: [GEAppliances.com/register](http://GEAppliances.com/register)

---

## Servicio Programado

El servicio de reparación de expertos de GE Appliances está a sólo un paso de su puerta. ¡Conéctese a través de Internet y programe su servicio a su conveniencia cualquier día del año! En EE.UU.: [GEAppliances.com/service](http://GEAppliances.com/service) o llame al 800.432.2737 durante el horario comercial habitual.

---

## Garantías Extendidas

Adquiera una garantía extendida de GE Appliances y aprenda sobre descuentos especiales que están disponibles mientras su garantía aún está vigente. La puede adquirir en cualquier momento a través de Internet. Los Servicios de GE Appliances aún estarán allí cuando su garantía caduque. En EE.UU.: [GEAppliances.com/extended-warranty](http://GEAppliances.com/extended-warranty) o llame al 800.626.2224 durante el horario comercial habitual.

---

## Conectividad Remota

Para solicitar asistencia con la conectividad de red inalámbrica (para modelos con activación remota), visite nuestro sitio Web en [GEAppliances.com/connect](http://GEAppliances.com/connect) o llame al 800.220.6899 en EE.UU.

---

## Piezas y Accesorios

Individuos calificados para realizar el servicio técnico de sus propios electrodomésticos podrán solicitar el envío de piezas o accesorios directamente a sus hogares (se aceptan las tarjetas VISA, MasterCard y Discover). Ordene a través de Internet hoy durante las 24 horas del día. En EE.UU.: [GEApplianceparts.com](http://GEApplianceparts.com) o por teléfono al 877.959.8688 durante el horario comercial habitual.

**Las instrucciones que figuran en este manual cubren los procedimientos que serán realizados por cualquier usuario. Otros servicios técnicos generalmente deberían ser derivados a personal calificado del servicio. Se deberá tener cuidado, ya que una reparación indebida podrá ocasionar que el funcionamiento no sea seguro.**

---

## Contáctenos

Si no se encuentra satisfecho con el servicio que recibió de GE Appliances, comuníquese con nosotros a través de nuestro sitio Web con todos los detalles, incluyendo su número telefónico, o escriba a:

En EE.UU.: General Manager, Customer Relations | GE Appliances, Appliance Park | Louisville, KY 40225  
[GEAppliances.com/contact](http://GEAppliances.com/contact)