

GE Profile™ and GE® Built-In Cooking Products

heavy-duty racks • precise air™ convection system • 2002 specifications • auto recipe™ conversion • gas on glass cooktops



installation flexibility • generous capacity • true temp™ system • cleandesign cooktops • multiple cooking modes • bo

The maximum in cooking performance and versatility.



We bring good things to life.

Inspirational cooking through innovation.

GE helps you make the most of your meals, bringing

innovation to every aspect of your cooking needs.

Our cooking products cater to your **flexibility**

requirements with a wide range of heat settings and

smooth, **easy-to-clean** surfaces. They also make a

high-performance contribution with our **Precise Air™**

convection system and an array of **convenience**

functions. And when it comes to

style, GE offers a variety

of **attractive** options.

Whether you choose

black or stainless, built-in

or slide-in, you're sure to

find the perfect complement

to your kitchen.



Gas cooktops

Our gas cooktops boast 15,000 BTUs of cooking power, delivering incredible cooking flexibility with an 11,000-BTU, a 9,100-BTU, and a 6,000-BTU burner for simmering.



Electric cooktops

Our electric cooktop line gives you a vast array of versatile options. Expandable heating elements, electronic controls and a warming zone are just a few of the many conveniences.



Built-in wall ovens

Built-in wall ovens make a dramatic design statement. Installed in a wall, under a counter or in a cabinet, these ovens integrate beautifully into any kitchen.



Warming drawers

GE's essential warming drawer helps you keep just-cooked foods warm while you're waiting for guests or preparing other dishes.





GE® Built-In Single and Double Wall Ovens

GE Profile™ wall ovens perform beautifully in any kitchen.

GE Profile wall ovens have improved upon true European convection with the Precise Air™ convection system, which uses an innovative fan that reverses direction. The result is uniform heating throughout the oven interior for superior cooking results. The largest* oven capacity in America and multiple rack positions give you the flexibility to cook more food at once. Among the many convenient features is the proof setting for rising dough, Sabbath mode for preparing foods in accordance with kosher law, warm mode for keeping foods at serving temperature and the option of closed door broiling.



*Among leading manufacturers' brands, except 30" convection ovens.

The versatile design works with every cooking style, every kitchen.

Versatility extends to installation, as well. GE wall ovens go wherever they're needed: in a wall, cabinet or under a counter. These wall ovens fit into common cutouts, making it easy to upgrade or replace an older GE wall oven. And the flush installation appearance makes the most of your kitchen space.



GE flexibility gives you more ways to cook great food!



Largest capacity

GE wall ovens now feature the largest* capacity wall ovens in America. Great for holiday meals and dinner parties, you have greater flexibility to cook more food at once!



Convection options

GE Profile wall ovens use True European convection, now delivered through the Precise Air™ convection system. Meats are beautifully browned, yet tender and juicy inside and breads and desserts are baked to golden perfection.



Precise Air convection system

This exclusive system uses an innovative fan that rotates one way, then reverses direction for optimal air and heat circulation. Plus, a third heating element surrounds the fan and delivers consistent heat.



Auto Recipe™ conversion

Auto Recipe eliminates guesswork by automatically converting standard recipe temperatures to proper convection settings. Simply set the control according to recipe instructions and the oven automatically adjusts for convection baking.

*Among leading manufacturers' brands, except 30" convection ovens.

Not all features available on all models.

The maximum in cooking performance and versatility.



Heavy-duty racks

The durable construction of the heavy-duty racks provides additional support for large cooking needs, such as that Thanksgiving turkey.



Eight-pass bake element*

With eight turns of the powerful heating element, heat is distributed more evenly providing complete coverage throughout the oven cavity.



Innovative design

The glass touch controls, combined with a digital timer and large easy-to-read graphics, offer a clean and sophisticated look. The frameless oven aligns nearly flush with cabinetry for a smooth and integrated design.



Multiple cooking modes

A variety of flexible cooking modes help make cooking convenient. The proof mode allows dough to rise properly. The warm mode keeps meals warm and ready to serve. And the certified Sabbath mode keeps food warm in accordance with kosher law.

*Six-pass on 27" models.

Built-In Double Ovens: 30" Electric

These models include

- The largest* capacity wall oven in America!
- Flush appearance installation
- Fits most 30" cabinets
- TrueTemp™ system
- Certified Sabbath mode
- Control lock capability
- Big ClearView™ windows
- Optional closed door broiling

Note: bold = feature upgrade from previous model



Precise Air™ convection uses an innovative fan that reverses direction for optimal air and heat circulation.



Eight-pass power bake exemplifies the ultimate in heating performance with complete coverage.



CleanDesign oven interiors have a smooth, seamless surface, making cleanup easier than ever.

*Among leading manufacturers' brands except 30" convection ovens.

Not all features available on all models.

Convection Self-Clean Upper/ Self-Clean Lower



GE Profile™

30" Built-In Double Oven

JT955SF Stainless steel

- **Electronic glass touch controls** • CleanDesign oven interior • **Stainless steel oven doors**

Convection Upper Oven

- Extra-large 4.1 cu. ft. self-clean oven
- Precise Air™ convection system • **Single-rack and multi-rack convection bake** • Convection roast
- Auto Recipe™ conversion • **Proof mode** • **Warm mode** • Three heavy-duty oven racks • Eight-pass bake element

Thermal Lower Oven

- Extra-large 4.4 cu. ft. self-clean oven • **Two heavy-duty oven racks**

Convection Self-Clean Upper/ Self-Clean Lower



GE Profile

30" Built-In Double Oven

JT955CF Bisque on bisque

- Frameless glass oven doors

JT955WF White on white (not shown)

JT955BF Black on black (not shown)

Convection Self-Clean Upper/ Self-Clean Lower



GE Profile

30" Built-In Double Oven

JT952BF Black on black

- Electronic oven controls • CleanDesign oven interior

Convection Upper Oven

- Extra-large 4.1 cu. ft. self-clean oven • **Precise Air convection system** • **Convection bake** • **Convection roast** • **Auto Recipe conversion** • **Three heavy-duty oven racks** • **Eight-pass bake element**

Thermal Lower Oven

- Extra-large 4.4 cu. ft. self-clean oven • **Two heavy-duty oven racks**

JT952SF Stainless steel (not shown)

JT952WF White on white (not shown)

JT952CF Bisque on bisque (not shown)

Self-Clean (Both Ovens)



GE®
30" Built-In Double Oven
JTP48SF Stainless steel
 • Stainless steel oven doors • Two extra-large 4.4 cu. ft. self-clean ovens with delay self-clean
 • Interior oven light • Six-pass bake element
 • Two oven racks (each oven) • Six embossed rack positions • Audible preheat signal



The largest* capacity wall oven in America gives you flexibility to cook more at once.



TrueTemp technology provides even heat distribution and maximum control.

Self-Clean (Both Ovens)



GE
30" Built-In Double Oven
JTP48WF White on white
 • Frameless glass oven doors
JTP48CF Bisque on bisque (not shown)
JTP48BF Black on black (not shown)

Self-Clean Upper/Standard Lower



GE
30" Built-In Double Oven
JTP28BF Black on black
 • Frameless glass oven doors • Two oven racks (each oven)
 • Six embossed rack positions • Audible preheat signal
Upper Oven
 • Extra-large 4.4 cu. ft. self-clean oven with delay self-clean
 • Electronic oven controls • Delay bake • Interior oven light
Lower Oven
 • Extra-large 4.4 cu. ft. standard-clean oven • Rotary controls
JTP28SF Stainless steel (not shown)
 • Stainless steel oven door
JTP28WF White on white (not shown)
JTP28CF Bisque on bisque (not shown)



Certified Sabbath mode keeps food warm in accordance with kosher law.

Built-In Double Ovens: 30" and 27" Electric

These models include

- Flush appearance installation • Frameless glass oven doors
- Electronic controls
- TrueTemp™ system
- Control lock capability
- Variable broil • Optional closed door broil

Note: bold = feature upgrade from previous model



True European convection ovens provide even cooking and superior baking results.



Sensor microwave cooking controls take the guesswork out of cooking your favorite foods.



Electronic controls are simple to understand and easy to use. Just read and touch.

Microwave Upper/Convection Lower



GE Profile™ 30" Built-In Double Oven

JT965SF Stainless steel
• Fits most 30" cabinets

Microwave Upper Oven

• 1.6 cu. ft. cavity • Sensor cooking controls for Auto Cook and Reheat • Turntable • 1000 watts

Convection Lower Oven

• Extra-large 4.1 cu. ft. self-clean oven • **CleanDesign oven interior** • Exclusive Big ClearView™ window • **True European convection system** • **Convection bake** • **Convection roast** • **Three heavy-duty oven racks** • **Oven meat probe** • **Eight-pass power bake element** • **Halogen interior oven lights**

JT965BF Black on black (not shown)

JT965WF White on white (not shown)

JT965CF Bisque on bisque (not shown)

Microwave Upper/Self-Clean Lower



GE® 30" Built-In Double Oven

JTP86WF White on white
• Fits most 30" cabinets • Upfront interior oven lights

Microwave Upper Oven

• 1.6 cu. ft. cavity • Sensor cooking controls for Auto Cook and Reheat • Turntable • 1000 watts

Lower Oven

• Extra-large 4.4 cu. ft. self-clean oven with Delay Clean option • Two oven racks • Six embossed rack positions • Big ClearView window

JTP86SF Stainless steel (not shown)

JTP86CF Bisque on bisque (not shown)

JTP86BF Black on black (not shown)

Microwave Upper/Self-Clean Lower



GE 27" Built-In Double Oven

JKP86SF Stainless steel
• Fits most 27" cabinets • Upfront interior oven lights

Microwave Upper Oven

• 1.6 cu. ft. cavity • Auto Roast • Auto Cook • Double Duty™ shelf • Turntable • 1000 watts

Lower Oven

• Extra-large 3.9 cu. ft. self-clean oven with Delay Clean option • Big ClearView window • Two oven racks

JKP86WF White on white (not shown)

JKP86CF Bisque on bisque (not shown)

JKP86BF Black on black (not shown)

Built-In Double Ovens: 27" Electric

These models include

- The largest* capacity wall oven in America!
- Flush appearance installation • Fits most 27" cabinets • TrueTemp system • Certified Sabbath mode • Control lock capability • Big ClearView windows • Variable broil
- Convection cookbook

Note: bold = feature upgrade from previous model



Precise Air™ convection uses an innovative fan that reverses direction for optimal air and heat circulation.



The largest* capacity wall oven in America gives you flexibility to cook more at once.



CleanDesign oven interiors have a smooth, seamless surface, making cleanup easier than ever.

*Among leading manufacturers' brands except 30" convection ovens.

Not all features available on all models.

Convection Upper/Self-Clean Lower



GE Profile

27" Built-In Double Oven

JK955SF Stainless steel

- **Electronic glass touch controls** • **CleanDesign oven interior** • **Stainless steel oven doors**

Convection Upper Oven

- Extra-large 3.9 cu. ft. self-clean oven
- **Precise Air™ convection system** • **Single-rack and multi-rack convection bake** • **Convection roast** • **Auto Recipe™ conversion** • **Proof mode** • **Warm mode** • **Three heavy-duty oven racks** • **Six-pass bake element**

Thermal Lower Oven

- Extra-large 3.9 cu. ft. self-clean oven • **Two heavy-duty oven racks**



GE Profile

27" Built-In Double Oven

JK955CF Bisque on bisque

- **Frameless glass oven doors**



GE Profile

27" Built-In Double Oven

JK955BF Black on black

JK955WF White on white (not shown)

Built-In Double Ovens: 27" Electric

- These models include** • The largest* capacity wall oven in America! • Flush appearance installation • Fits most 27" cabinets
- TrueTemp™ system • Certified Sabbath mode • Control lock capability • Frameless glass oven doors • Big ClearView™ windows
 - Variable broil **Note: bold = feature upgrade from previous model**



The largest* capacity wall oven in America gives you flexibility to cook more at once.



TrueTemp technology provides even heat distribution and maximum control.



Six-pass power bake provides unparalleled baking throughout the oven interior. The results are succulent, evenly cooked food.

Self-Clean (Both Ovens)



GE®

27" Built-In Double Oven

JKP48BF Black on black

- **Two extra-large 3.9 cu. ft. self-clean ovens with delay self-clean** • Electronic oven controls
- Four embossed rack positions • Two oven racks (each oven)

Self-Clean (Both Ovens)



GE

27" Built-In Double Oven

JKP48WF White on white

JKP48CF Bisque on bisque (not shown)

Self-Clean Upper/Standard Lower



GE

27" Built-In Double Oven

JKP28WF White on white

- Two oven racks (each oven) • Audible preheat signal

Upper Oven

- Extra-large 3.9 cu. ft. self-clean oven with Delay Clean option • Electronic controls • Delay bake

Lower Oven

- Extra-large 3.9 cu. ft. standard-clean oven
- Rotary control

JKP28BF Black on black (not shown)

*Among leading manufacturers' brands except 30" convection ovens.

Not all features available on all models.

Built-In Single Ovens: 30" Electric

These models include • The largest* capacity wall oven in America! • Flush appearance installation • Fits most 30" cabinets
 • TrueTemp™ system • Certified Sabbath mode • Control lock capability • Big ClearView window • Variable broil • **Convection cookbook**

Note: bold = feature upgrade from previous model



Precise Air™ convection uses an innovative fan that reverses direction for optimal air and heat circulation.



Cook more at once! Take advantage of more oven capacity with the versatility of multiple rack positions.



CleanDesign oven interiors have a smooth, seamless surface, making cleanup easier than ever.

Installation Flexibility

30" wall ovens can be installed in a wall or most 30" cabinets, or undercounter installation with either a gas or electric cooktop above. See page 43 for approved cooktop use.

*Among leading manufacturers' brands except 30" convection ovens.

Not all features available on all models.

Self-Clean Convection



GE Profile™ 30" Built-In Single Oven

JT915SF Stainless steel
 • **Electronic glass touch controls** • CleanDesign oven interior • Stainless steel oven door • **Halogen interior oven light** • Extra-large 4.1 cu. ft. self-clean oven with Delay Clean option • Precise Air™ convection system • **Single-rack and multi-rack convection bake** • Convection Roast • Auto Recipe™ conversion • **Proof mode** • **Warm mode** • Eight-pass bake element • Three heavy-duty oven racks



GE Profile™ 30" Built-In Single Oven

JT915WF White on white
 • Frameless glass oven door
JT915CF Bisque on bisque (not shown)
JT915BF Black on black (not shown)



GE Profile™ 30" Built-In Single Oven

JT912BF Black on black
 • Electronic oven controls • CleanDesign oven interior • **Frameless glass oven door** • **Interior oven light** • Extra-large 4.1 cu. ft. self-clean oven with Delay Clean option • Precise Air™ convection system • **Convection bake** • **Convection roast** • **Auto Recipe conversion** • **Eight-pass bake element** • **Three heavy-duty oven racks**
JT912SF Stainless steel (not shown)
JT912WF White on white (not shown)
JT912CF Bisque on bisque (not shown)

Built-In Single Ovens: 30" Electric

These models include • The largest* capacity wall oven in America! • Flush appearance installation • Fits most 30" cabinets
 • **TrueTemp™ system** • Electronic oven controls • Certified Sabbath mode • Control lock capability • Big ClearView™ window
 • **Upfront interior oven light** • Variable broil **Note: bold = feature upgrade from previous model**



The largest* capacity wall oven in America gives you flexibility to cook more at once.



TrueTemp technology provides even heat distribution and maximum control.

Installation Flexibility

30" wall ovens can be installed in a wall or most 30" cabinets, or in an undercounter installation with either a gas or electric cooktop above. See page 43 for approved cooktop use.

Self-Clean



GE® 30" Built-In Single Oven

JTP20SF Stainless steel
 • Extra-large 4.4 cu. ft. self-clean oven with light self-clean option • Two oven racks • Six embossed rack positions • Six-pass bake element • Stainless steel oven door

Self-Clean



GE
30" Built-In Single Oven
JTP20BF Black on black
 • Frameless glass oven door

Self-Clean



GE
30" Built-In Single Oven
JTP20CF Bisque on bisque
JTP20WF White on white (not shown)

*Among leading manufacturers' brands except 30" convection ovens.

Not all features available on all models.

Built-In Single Ovens: 27" Electric

These models include • The largest* capacity wall oven in America! • Flush appearance installation • Fits most 27" cabinets • Electronic oven controls • Certified Sabbath mode • Big ClearView window • Variable broil • Control lock capability (except model JKS06)

Note: bold = feature upgrade from previous model



The durable construction of the heavy-duty racks provides additional support for large cooking needs.



Certified Sabbath mode keeps food in accordance with kosher law.

Installation Flexibility

27" wall ovens can be installed in a wall or 27" cabinet, or in an undercounter installation with either a gas or electric cooktop above. See page 47 for approved cooktop use.

Self-Clean Convection



GE Profile™ 27" Built-In Single Oven

JK915SF Stainless steel
• **Electronic glass touch controls** • **CleanDesign oven interior** • **Stainless steel oven door** • **Halogen interior oven light** • Extra-large 3.9 cu. ft. self-clean oven with Delay Clean option • **Precise Air™ convection system** • **Single-rack and multi-rack convection bake** • **Convection roast** • **Auto Recipe conversion** • **Proof mode** • **Warm mode** • **Six-pass bake element** • **Three heavy-duty oven racks** • **Convection cookbook**

Self-Clean Convection



GE Profile 27" Built-In Single Oven

JK915WF White on white
• **Frameless glass oven door**
JK915CF Bisque on bisque (not shown)
JK915BF Black on black (not shown)

Self-Clean



GE 27" Built-In Single Oven

JKP20WF White on white
• **Extra-large 3.9 cu. ft. self-clean oven with light self-clean option** • **Two oven racks** • **Four embossed rack positions**

JKP20CF Bisque on bisque (not shown)

JKP20BF Black on black (not shown)

Standard Clean



GE 27" Built-In Single Oven

JKS06BF Black on black
• **Extra-large 3.9 cu. ft. standard-clean oven**
• **Two oven racks**

*Among leading manufacturers' brands except 30" convection ovens.

Not all features available on all models.

Built-In Double and Single Ovens: 24" Electric

These models include

- Fits most 24" cabinets
- SmartSet electronic controls
- Frameless glass oven doors
- Designer-style handles
- Two oven racks (each oven)
- Variable broil

Note: bold = feature upgrade from previous model



SmartSet electronic controls are simple to understand and easy to use. Just read and touch.



GE®
24" Built-In Double Oven

JRP24BD Black on black

Upper Oven

- Self-clean oven with Delay Clean option
- Control lock capability
- Delay Bake option with Cook & Hold

Lower Oven

- Standard-clean oven
- Rotary controls



GE
24" Built-In Single Oven

JRP15WW White on white

- Self-clean oven with Delay Clean option
- Control lock capability
- Delay Bake option with Cook & Hold

JRP15BW Black on black (not shown)

JRS04BW Black on black (not shown)

- Standard-clean oven
- Delay Bake option with Cook & Hold

Built-In Single Ovens: 24" Gas

These models include

- Fits most 24" cabinets
- SmartSet electronic controls
- Electronic pilotless ignition
- Frameless glass oven door
- Designer-style handle

Note: bold = feature upgrade from previous model



Self-clean ovens provide easy clean convenience. Simply set the controls and the oven cleans itself.



GE
24" Built-In Single Oven

JGRP17WEW White on white

- Self-clean oven with Delay Clean option
- Control lock capability
- In-oven broiling
- Storage drawer

JGRP17BEW Black on black (not shown)



GE
24" Built-In Single Oven

JGRS14BEW Black on black

- Standard-clean oven
- Separate broiler drawer

Built-In Warming Drawers: 30" and 27" Electric

These models include • Flush appearance installation • Temperature control with proof and variable settings • Crisp/Moist humidity control • ON/OFF switch • "ON" indicator light • One-half rack • Frameless drawer front • Profile handle • Removable stainless steel drawer pan • Five-piece commercial pan set or wood panel kit (available at additional cost)



Half rack provides even heat distribution and allows extra space to keep food warm and tasty before serving.



Warming drawer keeps plates warm, ready and waiting to serve that special meal.



Hidden temperature control has proof and variable settings for warming flexibility.



Optional set of five commercial pans are available for 30" and 27" warming drawers.



GE Profile™ *Built-In Warming Drawer*

- JTD915SF** Stainless steel
- 30" width
- JKD915SF** Stainless steel (not shown)
- 27" width



GE Profile *Built-In Warming Drawer*

- JTD915CF** Bisque on bisque
- 30" width
- JKD915CF** Bisque on bisque (not shown)
- 27" width



GE Profile *Built-In Warming Drawer*

- JTD915BF** Black on black
- 30" width
- JKD915BF** Black on black (not shown)
- 27" width
- JTD915WF** White on white (not shown)
- 30" width
- JKD915WF** White on white (not shown)
- 27" width

GE caters to today's busy cooks with a wide variety of cooktop options.

GE Profile™ and GE® cooktops make a dramatic difference in the kitchen, both in terms of appearance and performance.

Distinguished by a continuous, smooth surface, these cooktops add immediate visual interest.

High-tech features include an electronic sensor that automatically adjusts the size of the element to fit the pan, a sensor that indicates when an element is left on and a convenient warming option.



Now you can enjoy the superior performance of gas, along with ease of cleaning.

Thanks to GE innovation, serious cooks can make gas cooktops a prominent part of their kitchens without the usual worry about cleanability.

High-output or simmer burners give you precise control over heat intensity, while the smooth, sealed surface beneath these burners lets you control spills and messes. A professional-style grid of continuous burner grates allows easy pot movement. And every model wipes clean, whether it's the deep, recessed cooktop or the gas-on-glass style.





Electric cooktops offer an array of convenient extras.

The electric cooktop line delivers an impressive lineup of design features and performance capabilities. Among these is the bridge element, which combines two elements to create an elongated cooking area. Models with electronic controls also feature a cooking timer and lockout option.



Gas cooktops provide outstanding performance.

When it comes to power, our gas cooktops go to extremes. The 15,000-BTU burner supplies intense heat needed for sautéing and stir-frying. Gas cooktops also provide precise temperature control and consistent, gentle simmering.

Built-In Cooktops: 36" Electric CleanDesign

These models include • Smooth, frameless ceramic-glass CleanDesign cooktop • Flush-mount installation capability (except stainless steel models)
 • Fingerprint- and scratch-resistant patterned glass cooktop • Five hot surface indicator lights **Note: bold = feature upgrade from previous model**



Electronic controls are simple to understand and easy to operate. Just read and touch.



Helps protect your family's safety with control lockout capability.



A convenient kitchen timer lets you set a reminder at the appropriate cooking time, making precision cooking easy.



Pan presence sensor reminds you when an element is left on and automatically shuts it off when not in use.



GE Profile™

36" Electronic Touch Control Cooktop

JP968BC Black on black

• Frameless cooktop • **Electronic touch controls** • **Pan presence sensor** • **Pan size sensor** • **Control lockout** • **Kitchen timer** • Five ribbon heating elements: one 6", **one 7" with warmer**, one dual (6"/9") and two 7" with connecting bridge element

JP968SC Stainless steel (not shown)

JP968WC White on white (not shown)

JP968CC Bisque on bisque (not shown)



GE Profile

36" Electric CleanDesign Cooktop

JP960TC True white

• Frameless true white cooktop • Five ribbon heating elements: one 6", one 7", one dual (6"/9") and two 7" with connecting bridge element



GE Profile

36" Electric CleanDesign Cooktop

JP960KC True Bisque

• Frameless true bisque cooktop • Five ribbon heating elements: one 6", one 7", one dual (6"/9") and two 7" with connecting bridge element



GE Profile

36" Electric CleanDesign Cooktop

JP960SC Stainless steel

• Frameless cooktop • Five ribbon heating elements: one 6", one 7", one dual (6"/9") and two 7" with connecting bridge element

JP960BC Black on black (not shown)

Not all features available on all models.

Built-In Cooktops: 30" Electric CleanDesign

These models include • Smooth, frameless ceramic-glass CleanDesign cooktop • Flush-mount installation capability (except stainless steel models)

• Fingerprint- and scratch-resistant patterned glass cooktop Note: bold = feature upgrade from previous model



Energy-efficient pan size sensor selects a 6" or 9" element to match the pan you are using.



Flush-mount trim kit creates a stunning visual effect. (Not available on stainless steel models)



Bridge element for total cooking flexibility.



6"/>" Dual element saves energy and provides more efficient cooking.



GE Profile

30" Electronic Touch Control Cooktop

JP938BC Black on black

- Frameless cooktop • **Electronic touch controls** • **Pan presence sensor** • **Pan size sensor** • **Control lockout** • **Kitchen timer**
- Four ribbon heating elements: **one 6" with warmer**, one dual (6"/9") and two 7" with connecting bridge element • Four hot surface indicator lights

JP938SC Stainless steel (not shown)

JP938WC White on white (not shown)

JP938CC Bisque on bisque (not shown)



GE Profile

30" Electric CleanDesign Cooktop

JP930SC Stainless steel

- Frameless cooktop • Four ribbon heating elements: one 6", one dual (6"/9") and **two 7" with connecting bridge element** • Four hot surface indicator lights

JP930TC True white (not shown)

JP930KC True bisque (not shown)

JP930BC Black on black (not shown)



GE Profile

30" Electric CleanDesign Cooktop

JP350KC True bisque

- Frameless cooktop • Four ribbon heating elements: **one dual (6"/9")**, two 8" and one 6" • **Four hot surface indicator lights**

JP350SC Stainless steel (not shown)

JP350TC True white (not shown)

JP350WC White on white (not shown)

JP350BC Black on black (not shown)



GE®

30" Electric CleanDesign Cooktop

JP340WC White on white

- Frameless cooktop • Four ribbon heating elements: two 6" and two 8" • Hot surface indicator light

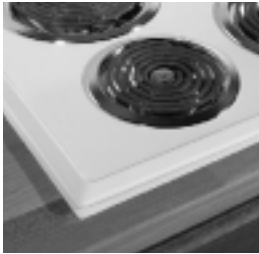
JP340BC Black on black (not shown)

JP340CC Bisque on bisque (not shown)

Not all features available on all models.

Built-In Cooktops: 36" and 30" Electric Coil

These models include • Porcelain-enameled lift-up cooktop • Two 8" and two 6" plug-in Calrod® heating elements
• Infinite heat rotary controls **Note: bold = feature upgrade from previous model**



Cooktop filler trim kit available to fill in oversized hole left by an older cooktop.



GE®

36" Electric Coil Cooktop

JP626WV White on white

• One-piece chrome drip bowls • **Upfront color-matched glass control panel**

JP626CC Bisque on bisque (not shown)



GE

30" Electric Coil Cooktop

JP326BV Black on black

• One-piece drip bowls • Color-matched glass control panel

JP326WV White on white (not shown)

JP326CC Bisque on bisque (not shown)

JP326CV Brushed-chrome (not shown)

Built-In Cooktops: 21" Compact



GE

21" Electric Coil Cooktop

JP201CB Stainless steel

• One 8" and one 6" plug-in heating element

• Infinite heat rotary controls • Removable one-piece chrome drip bowls • Heating element "ON" indicator light

JP202D White on white (not shown)

Built-In Cooktops: 30" Electric Downdraft

These models include • Smooth, frameless ceramic-glass CleanDesign cooktop • Four ribbon heating elements: one 6", one dual (6"/9") and two 7" with connecting bridge element • Four hot surface indicator lights • Powerful 400-CFM downdraft venting system • Three-speed fan • Upfront controls



GE Profile™
 30" Electric Downdraft Cooktop
JP989SD Stainless steel
JP989TD True white (not shown)
JP989BD Black on black (not shown)



GE Profile
 30" Electric Downdraft Cooktop
JP989KD True bisque

Built-In Cooktops: 30" Gas Downdraft

These models include • Ceramic-glass cooktop • Four sealed gas burners • Continuous cast-iron grates • Electronic pilotless ignition • Powerful 400-CFM downdraft venting system • Three-speed fan • Upfront controls

Note: bold = feature upgrade from previous model



GE Profile
 30" Gas Downdraft Cooktop
JGP989TC True white
JGP989KC True bisque (not shown)



GE Profile
 30" Gas Downdraft Cooktop
JGP989BC Black on black

Built-In Cooktops: 36" Gas

These models include • Sealed burners • Electronic pilotless ignition

Note: bold = feature upgrade from previous model



Precise Simmer burner keeps delicate foods like sauces and gravies at a low setting.



Maximum Plus 15,000 BTU burner heats up fast with high power for skillets, woks or large pots.



GE glass cooktops are sleek and easy to clean. The flat surface and sealed burners make cleanup a snap.



GE Profile™

36" Deep Stainless Gas Cooktop

JGP963SEF Stainless steel
 • **Deep stainless cooktop** • Continuous deluxe cast-iron grates • Five sealed gas burners • 15,000 BTU Maximum Plus burner • Two Precise Simmer burners
 • Dishwasher-safe grates



GE Profile

36" Deep Porcelain Gas Cooktop

JGP963BEC Black on black
 • **Deep porcelain cooktop** • Continuous deluxe cast-iron grates • Five sealed gas burners • **15,000 BTU Maximum Plus burner** • Two Precise Simmer burners
 • Dishwasher-safe grates

JGP963WEC White on white (not shown)
JGP963CEC Bisque on bisque (not shown)



GE Profile

36" Gas on Glass Cooktop

JGP962SEC Stainless steel
 • **Gas on glass ceramic cooktop** • **Continuous deluxe cast-iron grates** • Five sealed gas burners • **15,000 BTU Maximum Plus burner** • Two Precise Simmer burners
 • **Dishwasher-safe grates**

JGP962TEC True white (not shown)
JGP962KED True bisque (not shown)
JGP962BEC Black on black (not shown)



GE®

36" Gas Cooktop

JGP960SED Stainless steel
 • Tempered glass cooktop • Deluxe cast-iron grates • Five sealed gas burners • Two Precise Simmer burners • 12,000 BTU Maximum Output burner



GE
36" Gas Cooktop
JGP636CED Bisque
 • Tempered glass cooktop • Deluxe cast-iron
 grates • Five sealed gas burners • Two Precise
 Simmer burners • 12,000 BTU Maximum
 Output burner
JGP636WED White on white (not shown)
JGP636BED Black on black (not shown)



Cast-iron wok accessory holder sits on burner grate to hold a traditional round-bottom wok.



GE
36" Deep Porcelain Gas Cooktop
JGP628CEC Bisque
 • Deep porcelain cooktop • Precise Simmer
 burner • Continuous grates
JGP628WEC White on white (not shown)
JGP628BEC Black on black (not shown)

Built-In Cooktop: 36" Gas Downdraft



GE Profile
36" Gas Integrated Downdraft Cooktop
JGP656WB White on white
 • Tempered glass cooktop • Four sealed gas
 burners • Cast-iron grates • Electronic pilotless
 ignition • 350-CFM retractable downdraft
 venting system • Upfront variable-speed fan
 control • JXBA56WW or JXBA56BB
 Downdraft Venting Kit required for installation
 • Optional JXRB57 kit for installation of blower
 and motor below the floor. Use optional GE
 accessory cover (JXBC57) for outdoor
 installation of blower and motor.
JGP656BB Black on black (not shown)

Built-In Cooktops: 30" Gas

These models include • Sealed burners (except JGP320) • Electronic pilotless ignition

Note: bold = feature upgrade from previous model



Precise Simmer burner keeps delicate foods like sauces and gravies at a low setting.



Maximum Plus 15,000 BTU burner heats up fast with high power for skillets, woks or large pots.



GE glass cooktops are sleek and easy to clean. The flat surface and sealed burners make cleanup a snap.



GE Profile™

30" Deep Porcelain Gas Cooktop

JGP933SEF Stainless steel
 • **Deep stainless cooktop** • Continuous deluxe cast-iron grates • Four sealed gas burners • 15,000 BTU Maximum Plus burner • Precise Simmer burner
 • Dishwasher-safe grates

JGP933WEC White on white (not shown)
 • Deep porcelain cooktop

JGP933CEC Bisque on bisque (not shown)

JGP933BEC Black on black (not shown)



GE Profile

30" Gas on Glass Cooktop

JGP932KED True bisque
 • Gas on glass ceramic cooktop • Continuous deluxe cast-iron grates • Four sealed gas burners • 15,000 BTU Maximum Plus burner • Precise Simmer burner
 • Dishwasher-safe grates

JGP932TEC True white (not shown)



GE Profile

30" Gas on Glass Cooktop

JGP932BEC Black on black
 • Gas on glass ceramic cooktop • Continuous deluxe cast-iron grates • Four sealed gas burners • 15,000 BTU Maximum Plus burner • Precise Simmer burner
 • Dishwasher-safe grates

JGP932SEC Stainless steel (not shown)



GE®

30" Gas Cooktop

JGP930SED Stainless steel
 • Tempered glass cooktop • Deluxe cast-iron grates • Four sealed gas burners • Precise Simmer burner • 12,000 BTU Maximum Output burner



GE

30" Gas Cooktop

JGP336WED White on white

- Tempered glass cooktop • Deluxe cast-iron grates • Four sealed gas burners • Precise Simmer burner • **12,000 BTU Maximum Output burner**

JGP336CED Bisque on bisque (not shown)

JGP336BED Black on black (not shown)



GE

30" Deep Porcelain Gas Cooktop

JGP328BEC Black on black

- **Deep porcelain cooktop** • Four sealed gas burners • **Precise Simmer burner** • **Continuous grates**

JGP328WEC White on white (not shown)

JGP328CEC Bisque on bisque (not shown)



GE

30" Gas Cooktop

JGP326WEF White on white

- **Four sealed gas burners**

JGP326CEF Bisque on bisque (not shown)

JGP326BEF Black on black (not shown)



GE

30" Gas Cooktop

JGP320EV White or black

- **Lift-up cooktop** • **Glass control panel** • **Standard porcelain-steel grates** • **Four standard gas burners**

Not all features available on all models.

Built-In Cooktops: Downdraft Electric Select-Top™ Modular

These models include • Infinite heat rotary controls • Powerful 400-CFM downdraft venting system

• Heating element "ON" indicator light **Note: bold = feature upgrade from previous model**

Optional Select-Top™ Modules (available at additional cost)



Grill Module
Front and rear controlled heating element for more cooking flexibility and energy savings. One-piece grill grate and porcelain-enameled reflector pan can be removed for cleaning in sink or dishwasher.



Griddle Accessory
(For use with optional grill module) Place over heating element and reflector pan from optional grill module. Griddle accessory has a non-stick coating and is self-draining.



Ribbon Module
Patterned glass top with one 8" and one 6" ribbon heating element.



Coil Module
One 8" and one 6" plug-in coil heating element with removable one-piece drip bowls.



Grill Cover
Covers grill area when not in use. Available in Black on black and White on white.



GE®
30" Dual Modular Cooktop JP389WD White on white
• Three-speed fan
• Porcelain-enameled cooktop • Both sides accept optional cooking modules
Shown with optional Ribbon module JXDR50VW and Grill module JXDL44N.



GE
30" Dual Modular Cooktop JP389BD Black on black
• Three-speed fan
• Porcelain-enameled cooktop
• **Both sides accept optional cooking modules**
Shown with optional Ribbon modules JXDR50VB.



GE
30" Single Modular Cooktop JP385WD White
• Porcelain-enameled cooktop • Fixed 6" and 8" plug-in coil heating elements • Left side accepts optional cooking modules
Shown with optional Grill module JXDL44N.



GE
30" Single Modular Cooktop JP385BD Black
• Porcelain-enameled cooktop • Fixed 6" and 8" plug-in coil heating elements • **Left side accepts optional cooking modules**
Shown with optional Grill module JXDL44N.

Optional Modules (available at additional cost)	Models			
	JP389WD	JP389BD	JP385WD	JP385BD
Coil Module	JXDC44RWH	JXDC43RBL	JXDC44RWH	JXDC43RBL
Ribbon Module	JXDR50VW	JXDR50VB	JXDR50VW	JXDR50VB
Grill Module	JXDL44N	JXDL44N	JXDL44N	JXDL44N
Griddle Accessory	JXDD44R	JXDD44R	JXDD44R	JXDD44R
Grill Cover	JXDM3	JXDM2	JXDM3	JXDM2

Not all features available on all models.

Built-In Cooktops: 30" Patio Grill



GE
30" Patio Grill

JP380BV Black

- Porcelain-enameled cooktop
- Fixed grill elements each side
- Infinite heat rotary controls
- Powerful downdraft venting system
- Heating element "ON" indicator light
- Optional grill covers (JXDM4) available at additional cost

U.L. approved for outdoor use only.

Built-In Cooktops: 30" Downdraft Gas Modular



GE Profile

30" Single Modular Gas Cooktop

JGP389WEV White on white

- Fixed standard gas burners (right side)
- Left side accepts optional cooking modules
- Powerful downdraft venting
- Electronic pilotless ignition
- Upfront controls

Shown with optional Grill module JXGG89.

JGP389BEV Black on black (not shown)

Optional Modules
(available at additional cost)

Two-burner gas module for standard burners

JXGB89W—White on white

JXGB89B—Black on black

Gas grill module

JXGG89

Griddle for use with optional Grill module

JXGL89

Grill Cover

JXGC89W—White on white

JXGC89B—Black on black

Common Cooktop Cutouts

Common Cutouts—30" Cooktops

Dimensions (W x D)	Model #	Description	
28-1/2" x 19-5/8"	JP938	CleanDesign	
	JP930	CleanDesign	
	JP350	CleanDesign	
	JP340	CleanDesign	
	JP326	Calrod®	
	JGP933—Gas	Sealed Burner	
	JGP932—Gas	Sealed Burner	
	JGP930—Gas	Sealed Burner	
	JGP336—Gas	Sealed Burner	
	JGP328—Gas	Sealed Burner	
	JGP326—Gas	Sealed Burner	
	JGP320—Gas	Standard Burner	
	28-7/8" x 20-5/8"	JP989	Electric Downdraft
		JP389	Modular Downdraft
JP385		Modular Downdraft	
JP380		Patio Grill	
JGP989—Gas		Gas Downdraft	
JGP389—Gas		Modular Downdraft	

Common Cutouts—36" Cooktops

Dimensions (W x D)	Model #	Description
33-7/8" x 19-1/8"	JP968	CleanDesign
	JP960	CleanDesign
	JP626	Calrod®
	JGP963—Gas	Sealed Burner
	JGP962—Gas	Sealed Burner
	JGP960—Gas	Sealed Burner
	JGP636—Gas	Sealed Burner
	JGP628—Gas	Sealed Burner
34-9/16" x 21"	JGP656—Gas	Sealed Burner Downdraft

GE® Slide-In and Drop-In Ranges

The perfect fit.

GE slide-in and drop-in ranges fit every kitchen decor and cooking style. They install almost flush with surrounding cabinetry and counters, creating a dramatic effect. Accenting the contemporary design is the sleek stainless exterior, which complements just about any color or wood finish.



GE slide-in and drop-in ranges give the effect of added space, opening up kitchens and making them more inviting.

Versatile features are the key ingredients to our slide-in and drop-in ranges.



Precise Air™ convection

This exclusive system uses an innovative fan that rotates one way, then reverses direction for optimal air and heat circulation. Plus, a third heating element surrounds the fan and delivers consistent heat for True European convection.



Cooktop versatility

Innovative heating elements make cooktop cooking easy. Combine two separate elements into one large bridge element, adjust a dual element to 6" or 9", or use a convenient fifth warming element for keeping foods warm and ready to serve.



Electronic control panel

The electronic control panel is innovatively styled with glass touch controls, a digital display and sleek, easy-turn dials. Plus, it's ergonomically angled for optimal, user-friendly operation.



Sealed burners

The gas burners are sealed to the cooktop to help contain spills, making cleanup quick and easy. These burners ignite electronically, so you don't have to deal with troublesome pilot lights. Power options range from low simmer to high output.

Not all features available on all models.

Slide-In Ranges: 30" Electric

These models include • TrueTemp™ system • **Big ClearView™ window** • Four hot surface indicator lights • Fingerprint- and scratch-resistant patterned ceramic-glass CleanDesign cooktop • **Optional closed door broiling** • **Certified Sabbath mode** • **Extra-large self-clean oven with Delay Clean option** • Control lock capability • Custom built-in look with simple slide-in installation Note: bold = feature upgrade from previous model



The warming zone is a great way to keep food warm and ready to enjoy or melt butter or chocolate.



Bridge element for total cooking flexibility.



Fast and easy cleanup is made possible through our CleanDesign oven interior.



Optional backguard kit attaches to the back of range when unit is installed into a free-standing cutout.



GE Profile™

30" Slide-In CleanDesign Convection Range

JS968SF Stainless steel

• **Electronic glass touch controls** • Two 7" ribbon heating elements with connecting bridge element • One dual (6"/9") and one 6" ribbon heating element • **Fifth element warming zone** • **CleanDesign oven interior** • Precise Air™ convection system • **Single-rack and multi-rack convection bake** • Convection Roast • Auto Recipe™ conversion • **Proof mode** • **Warm mode** • **Stainless steel oven door with window** • **Three heavy-duty racks** • **Halogen interior oven light**

JS968TF True white (not shown)

JS968KF True bisque (not shown)

JS968BF Black on black (not shown)



GE Profile

30" Slide-In CleanDesign Convection Range

JSP57WF White on white

• **Electronic controls** • **Two 7" ribbon heating elements with connecting bridge element** • One 6" and one dual (6"/9") ribbon heating element • **CleanDesign oven interior** • **Precise Air convection system** • **Convection bake** • **Convection roast** • **Auto Recipe conversion** • **Frameless glass oven door**

JSP57CF Bisque on bisque (not shown)

JSP55BF Black on black (not shown)



GE Profile

30" Slide-In CleanDesign Electric Range

JSP47CF Bisque on bisque

• **Electronic controls** • **Two 8", one 6" and one dual (6"/9") ribbon heating element** • **Frameless glass oven door**

JSP47WF White on white (not shown)

JSP47BF Black on black (not shown)

These models include • Lift-up overhanging porcelain-enameled cooktop • Two 8" and two 6" plug-in Calrod® heating elements
 • Electronic clock and kitchen timer • Custom built-in look with simple slide-in installation **Note: bold = feature upgrade from previous model**



GE®
 30" Slide-In Electric Coil Range
JSP34WD White on white
 • Electronic controls • Self-clean oven with Delay Clean option • Frameless glass oven door with designer-style handle • Control lock capability
JSP34CD Bisque on bisque (not shown)
JSP34BD Black on black (not shown)



Optional backguard kit for use with or without countertop backsplash.



Optional end cap kit for use when countertop has been notched for end caps.



GE
 30" Slide-In Electric Coil Range
JSP26BD White or Bisque
 • Electronic controls • Self-clean oven with Delay Clean option • Control lock capability • Frameless glass oven door with designer-style handle



GE
 30" Slide-In Electric Coil Range
JSS26BD Black on black
 • Standard-clean oven • Frameless glass oven door with designer-style handle
JSS16PD White or Bisque (not shown)
 • Standard-clean oven • Color-matched oven door • Visor handle



Vertical side trim kit to close gap between range and adjacent base cabinet.

Slide-In Ranges: 30" Gas

These models include • Electronic pilotless ignition • **Frameless glass oven door with window** • Interior oven light • Broiler pan with grid

Note: bold = feature upgrade from previous model



Sealed burner design helps contain spills from dripping beneath cooktop for easy cleaning.



Maximum Output burners have high-power performance, making cooking convenient.



GE Profile™

30" Slide-In Gas Range

JGSP44WEY White on white
 • SmartSet electronic controls • Self-clean oven with Delay Clean option • Sealed burners
 • Standard simmer burner • **Maximum output burner** • **Deluxe cast grates** • **Sure Grip designer-style handle** • **Glass cooktop**
 • Storage drawer

JGSP44CEY Bisque on bisque (not shown)

JGSP44BEY Black on black (not shown)



GE® 30" Slide-In Gas Range

JGSP23WEY White on white
 • SmartSet electronic controls • Sealed burners
 • Standard Simmer burner • Self-clean oven with Delay Clean option • Control lock capability • White porcelain-enameled cooktop • Standard-cast grates
 • Storage drawer

JGSP23BEY Black on black (not shown)



GE 30" Slide-In Gas Range

JGSS05BEA Black on black
 • Extra-large standard-clean oven • Black porcelain-enameled lift-up cooktop • Twin rod supports
 • Separate broiler drawer with extra-large broiler pan and grid • Standard porcelain-steel grates

Models shown with required filler strip provided.

Not all features available on all models.

Drop-In Ranges: 30" Electric

These models include

- SmartSet electronic controls
- Self-clean oven with delay option
- Control lock capability

Note: bold = feature upgrade from previous model



Electronic controls are simple to understand and easy to operate. Just read and touch.



The warming zone is a great way to keep food warm and ready to enjoy.



Bridge element for total cooking flexibility.



Fast and easy cleanup is made possible through our CleanDesign oven interior.

Not all features available on all models.



GE Profile 30" Drop-In Convection Range

- JD968SF** Stainless steel
- **Electronic glass touch controls**
 - **Two 7" ribbon heating elements with connecting bridge element**
 - One dual (6"/9") and one 6" ribbon heating element
 - **Fifth element warming zone**
 - **CleanDesign oven interior**
 - **Precise Air™ convection system**
 - **Single-rack and multi-rack convection bake**
 - **Convection roast**
 - **Auto Recipe™ conversion**
 - **Proof mode**
 - **Warm mode**
 - **Stainless steel oven door with window**
 - **Three heavy-duty racks**
 - **Halogen interior oven light**
 - **Certified Sabbath mode**
- JD968TF** True white (not shown)
JD968KF True bisque (not shown)
JD968BF Black on black (not shown)



GE Profile 30" Drop-In Electric Range

- JDP47CF** Bisque on bisque
- **Extra-large self-clean oven with Delay Clean option**
 - **Two 8", one 6" and one dual (6"/9") ribbon heating element**
 - **Four hot surface indicator lights**
 - **Fingerprint- and scratch-resistant ceramic-glass CleanDesign cooktop**
 - **Frameless glass oven door with Big ClearView™ window**
 - **Certified Sabbath mode**
- JDP47WF** White on white (not shown)
JDP47BF Black on black (not shown)



GE 30" Drop-In Electric Range

- JDP36BW** White
- **Lift-up overhanging cooktop**
 - **Two 8" and two 6" plug-in heating elements**
 - **Removable one-piece drip bowls**
 - **Frameless glass oven door with window**
 - **Designer-style handle**
- JDP36BD** Bisque (not shown)
JDS26BW White (not shown)
 • Standard-clean oven
JDS26BD Bisque (not shown)
 • Standard-clean oven



GE 30" Drop-In Electric Range

- JDP39BW** Black on black
- **Lift-up overhanging cooktop**
 - **Two 8" and two 6" plug-in heating elements**
 - **Removable one-piece drip bowls**
 - **Frameless glass oven door with window**
 - **Designer-style handle**
- JDP39WW** White on white (not shown)

Drop-In Spacemaker™ Ranges: 27" Electric

These models include • Lift-up overhanging porcelain-enameled cooktop • One 8" and three 6" plug-in Calrod® heating elements
 • Frameless glass oven door • Big View window • Chrome drip bowls **Note: bold = feature upgrade from previous model**



Electronic oven control provides convenient cooking functions.



Calrod® heating elements unplug for easy removal of one-piece drip bowls for cleaning and access to the subtop.



GE Profile™ 27" Drop-In Electric Range

JMP31WC White on white
 • Self-clean oven with automatic oven door lock
 • Electronic clock and kitchen timer • Auto oven shut-off • **Sure Grip designer-style handle**



GE® 27" Drop-In Electric Range

JMP28BC White
 • **Self-clean oven with automatic oven door lock**
 • **Electronic clock and minute timer** • **Auto oven shut-off**

JMP28BD Bisque (not shown)

JMS08BD White or Bisque (not shown)

• Standard-clean oven

Optional Backguards

White or black painted finish is available at additional cost for all models.
 JX27RWH – White, JX27RBK – Black

Venting Options: Slide-Out Hoods

These models include

• See-through glass visor slides in and out • 300-CFM performance with variable-speed fan control • Auto heat sensor • Compact housing leaves ample shelf space behind cabinet doors
 • Vertical exhaust with 3-1/4" x 10" rectangular duct • Cooktop light



GE Profile
36" Slide-Out Hood
JV960SC Brushed aluminum

30" Slide-Out Hood
JV930SC Brushed aluminum
 (not shown)



GE Profile
36" Slide-Out Hoods
JV696S Bisque on bisque
JV695S White on white (not shown)
JV694S Black on black (not shown)

30" Slide-Out Hoods
JV396S Bisque on bisque (not shown)
JV395S White on white (not shown)
JV394S Black on black (not shown)

Venting Options: Designer Hoods

These models include • Four-speed fan control • Two halogen cooktop lights (20 watts each) • Night light setting • Vertical exhaust (600-CFM) • Seven Sones rating • 7" round duct



Optional chimney cover available to cover exposed duct from the hood to the ceiling.



Commercial filter kit available for 30" and 36" designer hoods.



GE Profile
36" Designer Hood
JV966DSS Stainless steel



GE Profile
36" Designer Hood
JV965DCC Bisque on bisque
JV965DWW White on white (not shown)
JV965DBB Black on black (not shown)



GE Profile
30" Designer Hood
JV936DSS Stainless Steel



GE Profile
30" Designer Hood
JV935DBB Black on black
JV935DWW White on white (not shown)
JV935DCC Bisque on bisque (not shown)

Venting Options: Telescopic Downdraft Systems

These models include • 500-CFM performance • Variable-speed fan control • Raises to 7" over cooktop surface • Retracts when not in use
 • Ideal for island or peninsula installations • 3-1/4" x 10" rectangular duct



Raise/lower vent switch provides convenience of operation.



GE Profile™ Telescopic Downdraft Systems

JVB96SA Stainless steel
 • 36" width

JVB93SA Stainless steel
 (not shown) • 30" width

Note: Approved for use with all GE Profile and GE electric and sealed burner gas cooktops. Not approved for use with standard burner gas cooktops.

These models include • 350-CFM performance • Upfront variable-speed fan with slide control • Raises to 8-3/4" over cooktop surface
 • Retracts when not in use • Ideal for island or peninsula installations • Use optional GE accessory cover (JXBC57) for outdoor installation of blower or the indoor blower mounting kit (JXRB57) for indoor remote mounting of the blower **Note: bold = feature upgrade from previous model**



Separate remote switch to raise/lower vent provides installation flexibility and convenience of operation (only available on JVB67).



GE Profile Telescopic Downdraft Systems

JVB67AWW
 White on white
 • 36" width • **Separate remote switch to raise/lower vent**

JVB67ACC
 Bisque on bisque
 (not shown)

JVB67ABB
 Black on black
 (not shown)

Note: Approved for use with all GE Profile and GE electric and sealed burner gas cooktops. Not approved for use with standard burner gas cooktops.



GE Profile Telescopic Downdraft Systems

JVB37ABB
 Black on black
 • 30" width

JVB37AWW
 White on white
 (not shown)

JVB37ACC
 Bisque on bisque
 (not shown)

Note: Cooktops sold separately.

Venting Options: High-Performance, Performance, Deluxe and Standard Hoods

Note: bold = feature upgrade from previous model



GE Profile

High-Performance Hood

JV666C Stainless steel
 • 36" width • Three-speed fan control plus boost • Two halogen cooktop lights (50 watts each) • Night light setting • Vertical or rear exhaust (350/400-CFM) • 3-1/4" x 10" rectangular duct (convertible to 7" round duct)

JV665C White on white or Black on black (not shown)



GE Profile

High-Performance Hood

JV635C White on white (shown) or Black on black
 • 30" width • Three-speed fan control plus boost • Two halogen cooktop lights (50 watts each) • Night light setting • **Vertical or rear exhaust (350/400-CFM)** • 3-1/4" x 10" rectangular duct (convertible to 7" round duct)

JV636C Stainless steel (not shown)



GE Profile

Performance Hoods

JV565C White on white (shown), Bisque on bisque or Black on black
 • 36" width • **Two-speed fan control** • **200-CFM (max.)** • **Two halogen cooktop lights (50 watts each)** • Convertible exhaust options (7" round, rectangular or non-vented) • Rectangular damper included

JV566C Stainless steel (not shown)

JV535C White on white, Bisque on bisque, or Black on black (not shown)
 • 30" width

JV536C Stainless steel (not shown)

JXDA23 round damper accessory, available at additional cost (Models JV666/665/636/635/566/565/536/535).



GE® Deluxe Hood

JV347X White on white (shown), Bisque on bisque, Almond on almond or Black on black

• 30" width • **Rotary control** • **Three-speed fan** • **Cooktop light with night light setting** • **Light cover** • **Convertible exhaust (shipped in non-vented configuration, convertible to 7" or rectangular exhaust)** • Rectangular damper included



GE Standard Hoods

JV327X White (shown), Bisque or Almond
 • 30" width • 7" round duct • Easy-to-use rocker switches • Two-speed fan • Cooktop light

JV337X White, Bisque or Almond (not shown)
 • 3-1/4" x 10" rectangular duct
 • Rectangular damper included

JN327X White, Bisque or Almond (not shown)
 • Non-vented

JXDA22 round damper accessory, available at additional cost (Models JV347/337).

JXHCl cord kit allows a receptacle in the cabinet over the range to accommodate either an over-the-range microwave oven or a standard hood.

Light bulbs not included.

30" Built-In Double Ovens

		GE Profile™		GE®		GE Profile	GE
		Convection Double Ovens		Double Ovens		Microwave Double Ovens	
		JT955SF JT955WF JT955CF JT955BF	JT952SF JT952WF JT952CF JT952BF	JTP48SF JTP48WF JTP48CF JTP48BF	JTP28SF JTP28WF JTP28CF JTP28BF	JT965SF JT965WF JT965CF JT965BF	JTP86SF JTP86WF JTP86CF JTP86BF
Features							
Oven	Upper Lower	Convection/Self-Clean Thermal/Self-Clean	Convection/Self-Clean Thermal/Self-Clean	Self-Clean Self-Clean	Self-Clean Standard	Microwave Convection/Self-Clean	Microwave Self-Clean
Cleaning time		Variable	Variable	Variable	Variable (upper)	Variable (lower)	Variable (lower)
Automatic self-clean oven door lock		●	●	●	Upper	Lower	Lower
Self-clean oven w/Delay Clean option		●	●	●	Upper	Lower	Lower
Light self-clean option		●	●	●	Upper		
TrueTemp™ System		●	●	●	Upper	Lower	Lower
CleanDesign oven interior		●	●			Lower	
Variable broil/Six-pass broil element		●	●	●	●	Lower	Lower
Eight-pass bake element		●	●			Lower	
Precise Air™ Convection System		Upper	Upper				
Convection bake		Multi/Single-rack Upper	Upper			Lower	
Convection roast		Upper	Upper			Lower	
Auto Recipe™ Conversion		Upper	Upper				
SmartSet controls		Glass Touch	●	●	Upper	●	●
Proof Mode		Upper					
Oven meat probe		Upper	Upper			Lower	
Warm Mode		Upper					
Optional closed door broiling		●	●	●	●	Lower	Lower
Temperature display		●	●	●	Upper	Lower	Lower
Delay Bake Option		●	●	●	Upper	Lower	Lower
C° and F° programmable		●	●	●	Upper	Lower	Lower
Audible preheat signal		●	●	●	Upper	Lower	Lower
Auto oven shut-off w/override		●	●	●	Upper	Lower	Lower
Electronic clock and kitchen timer		●	●	●	Upper	Lower	●
Control lock capability		●	●	●	Upper	Lower	Lower
Oven light		Halogen	●	●	●	Halogen (lower)	Lower
Certified Sabbath Mode		●	●	●	Upper		
Microwave Oven Features:							
Microwave cooking timer						99-Min./99-Sec.	99-Min./99-Sec.
Microwave power levels						10	10
Sensor functions						6	3
Electronic MWO touch controls						●	●
Microwave oven cavity (cu. ft.)						1.6	1.6
MWO power output watts						1000	1000
Turntable						●	●
Oven racks	Upper Lower	3 Heavy-duty 2 Heavy-duty	3 Heavy-duty 2 Heavy-duty	2 2	2 2	3 Heavy-duty	2
Embossed rack positions		7 Upper/6 Lower	7 Upper/6 Lower	6 Upper/6 Lower	6 Upper/6 Lower	7 Lower	6 Lower
Roasting rack		Upper				Lower	
Broiler pan with grid		Upper	Upper	Upper	Upper	Lower	Lower
Appearance							
Color appearance*		SS WW CC BB	SS WW CC BB	SS WW CC BB	SS WW CC BB	SS WW CC BB	SS WW CC BB
Frameless oven doors		Stainless Steel White Glass Bisque Glass Black Glass	Stainless Steel White Glass Bisque Glass Black Glass	Stainless Steel White Glass Bisque Glass Black Glass	Stainless Steel White Glass Bisque Glass Black Glass	Stainless Steel White Glass Bisque Glass Black Glass	Stainless Steel White Glass Bisque Glass Black Glass
Big ClearView™ windows		●	●	●	●	Lower	Lower
Oven door handles		Sculptured Stainless Sculptured White Sculptured Bisque Sculptured Black	Sculptured Stainless Sculptured White Sculptured Bisque Sculptured Black	Black White Bisque Black	Black White Bisque Black	Sculptured Stainless Sculptured White Sculptured Bisque Sculptured Black	Black White Bisque Black
Flush appearance installation		●	●	●	●	●	●
Convection cookbook		●	●			●	
Weights & Dimensions							
Approx. shipping wt. (lbs.)		260	260	260	260	177	177
Oven cabinet width required (in.)		30	30	30	30	30	30
Overall dimensions (WxHxD in inches)		29-3/4 x 52-7/8 x 23-1/2	29-3/4 x 52-7/8 x 23-1/2	29-3/4 x 52-7/8 x 23-1/2	29-3/4 x 52-7/8 x 23-1/2	29-3/4 x 43-1/4 x 23-1/2	29-3/4 x 43-1/4 x 23-1/2
Overall oven interior dimensions (WxHxD in inches)	Upper Lower	24 x 16-1/4 x 18-1/4 24 x 16-1/4 x 18-1/4	24 x 16-1/4 x 18-1/4 24 x 16-1/4 x 18-1/4	24 x 17-1/2 x 18-1/4 24 x 17-1/2 x 18-1/4	24 x 17-1/2 x 18-1/4 24 x 17-1/2 x 18-1/4	16-1/4 x 9-5/8 x 15-3/4 24 x 16-1/4 x 18-1/4	16-1/4 x 9-5/8 x 15-3/4 24 x 17-1/2 x 18-1/4
Power/Ratings							
KW rating @ 240V		7.2	7.2	7.2	8.8	6.6	6.6
208V		5.4	5.4	5.4	6.6	5.3	5.3
Amps @ 240V		40	40	40	40	30	30
208V		30	30	30	30	30	30
Convection wattage		2500	2500			2500	
Broiler/bake wattage		3600/2700	3600/2700	3600/3410	3600/3410	3600/2700	3600/3410

*SS = Stainless steel, WW = White on white, CC = Bisque on bisque, BB = Black on black.

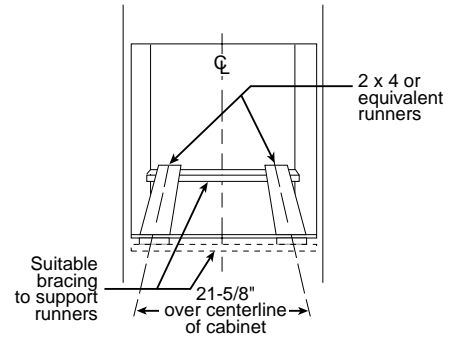
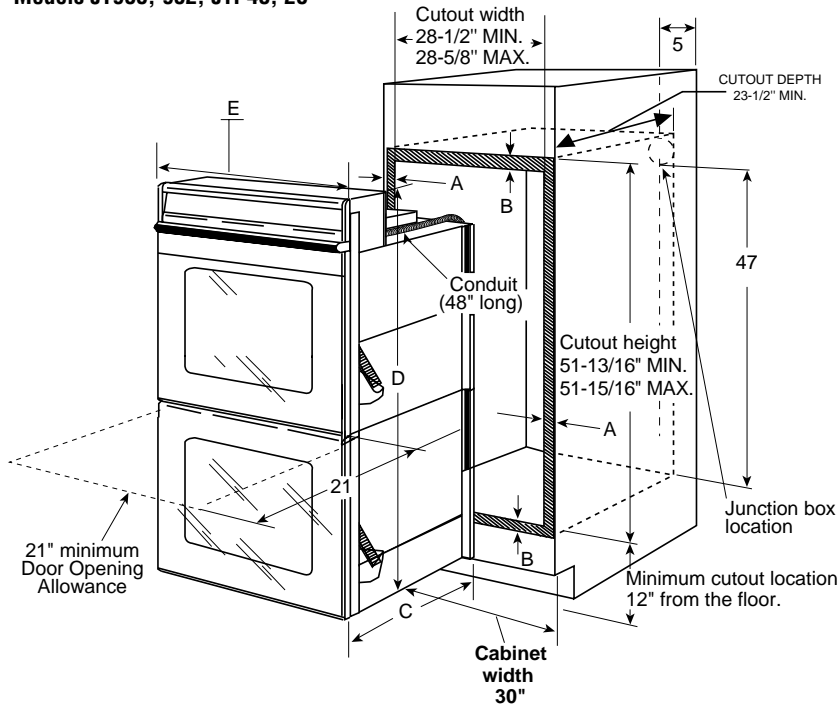


Listed by Underwriters Laboratories

30" Built-In Double Ovens (continued)

30" Built-In Double Oven Dimensions (in inches)

Models JT955, 952, JTP48, 28



(Must support 275 lbs.)

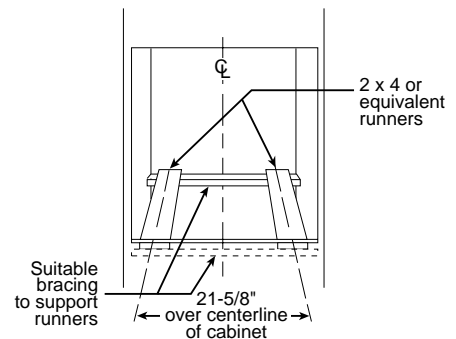
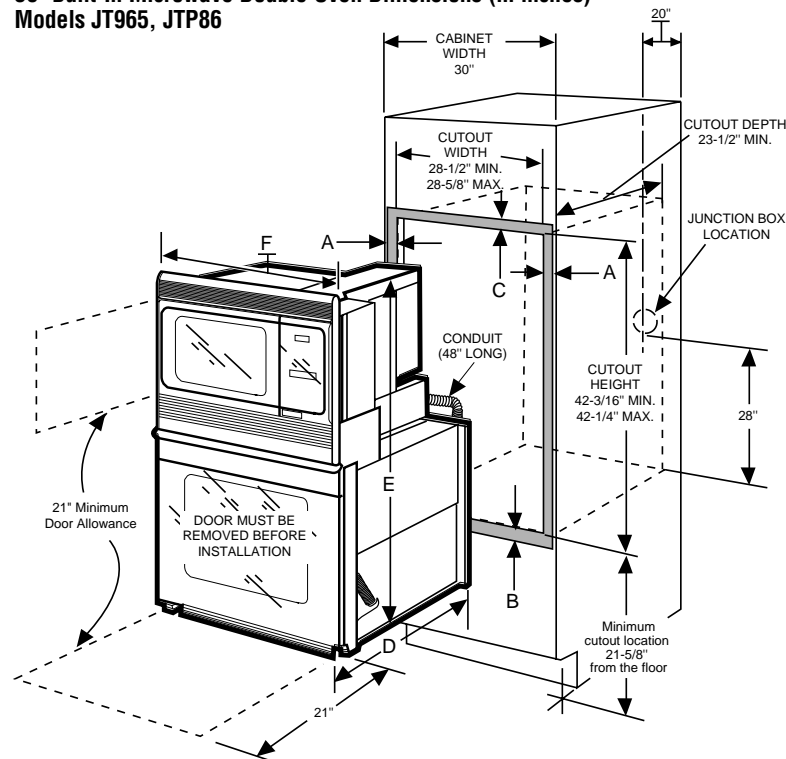
Cabinet	30"
A – Overlap of Oven Over Side Edges of Cutout	11/16" – 3/4"
B – Overlap of Oven at Top and Bottom of Cutout	1"
Oven	
C – Overall Depth	23-1/2"
D – Overall Height	52-7/8"
E – Overall Width	29-3/4"

Note: Cabinets installed adjacent to wall ovens must have an adhesion spec of at least a 194°F temperature rating.

MOST 30" WALL CABINETS CAN BE USED WITH THIS UNIT
THE OPENING BETWEEN THE INSIDE WALLS MUST BE AT LEAST 28-1/2" WIDE

30" Built-In Microwave Double Oven Dimensions (in inches)

Models JT965, JTP86



(Must support 275 lbs.)

Cabinet	30"
A – Overlap of Oven Over Side Edges of Cutout	11/16"
B – Overlap of Oven at Bottom of Cutout	1"
C – Overlap of Oven at Top of Cutout	1/2"
Oven	
D – Overall Depth	23-1/2"
E – Overall Height	43-1/2"
F – Overall Width	29-3/4"

Note: Cabinets installed adjacent to wall ovens must have an adhesion spec of at least a 194°F temperature rating.

MOST 30" WALL CABINETS CAN BE USED WITH THIS UNIT
THE OPENING BETWEEN THE INSIDE WALLS MUST BE AT LEAST 28-1/2" WIDE

Electric wall ovens are not approved for installation with a plug and receptacle. They must be hard wired in accordance with installation instructions.

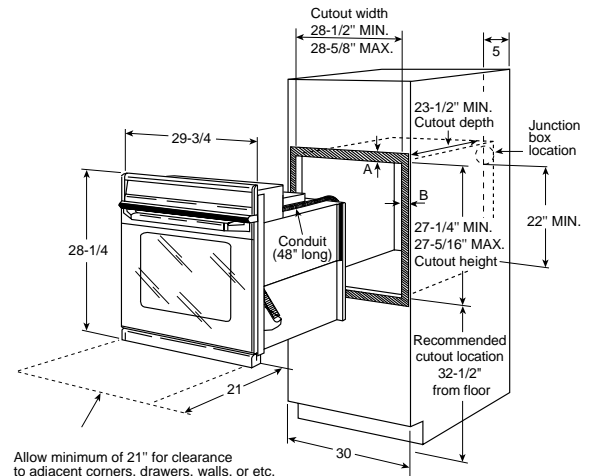
Installation Information: Before installing, consult installation instructions packed with product for current dimensional data.

30" Built-In Single Ovens

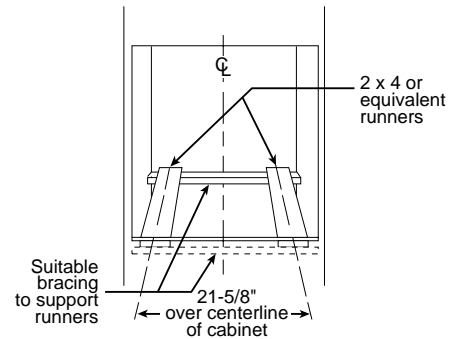
	GE Profile™		GE®
	Convection Single Ovens		Single Ovens
	JT915SF JT915WF JT915CF JT915BF	JT912SF JT912WF JT912CF JT912BF	JTP20SF JTP20WF JTP20CF JTP20BF
Features			
Oven	Convection/Self-Clean	Convection/Self-Clean	Self-Clean
Cleaning time	Variable	Variable	Variable
Automatic self-clean oven door lock	●	●	●
Self-clean oven w/Delay Clean option	●	●	●
Light self-clean option	●	●	●
TrueTemp™ System	●	●	●
CleanDesign oven interior	●	●	●
Variable broil/Six-pass broil element	●	●	●
Eight-pass bake element	●	●	●
Precise Air™ Convection System	●	●	●
Convection bake	Multi/Single-rack	●	●
Convection roast	●	●	●
Auto Recipe™ Conversion	●	●	●
SmartSet controls	Glass touch	●	●
Proof Mode	●	●	●
Warm Mode	●	●	●
Oven meat probe	●	●	●
Optional closed door broiling	●	●	●
Temperature display	●	●	●
Delay Bake Option	●	●	●
C° and F° programmable	●	●	●
Audible preheat signal	●	●	●
Auto oven shut-off w/override	●	●	●
Electronic clock and kitchen timer	●	●	●
Control lock capability	●	●	●
Oven light	Halogen	●	●
Certified Sabbath Mode	●	●	●
Oven racks	3 Heavy-duty	3 Heavy-duty	2
Embossed rack positions	7	7	6
Roasting rack	●	●	●
Broiler pan with grid	●	●	●
Convection cookbook	●	●	●
Appearance			
	SS WW CC BB	SS WW CC BB	SS WW CC BB
Color appearance*	Stainless Steel White Glass Bisque Glass Black Glass	Stainless steel White Glass Bisque Glass Black Glass	Stainless steel White Glass Bisque Glass Black Glass
Frameless oven doors	●	●	●
Big ClearView™ window	●	●	●
Oven door handle	Sculptured Stainless Sculptured White Sculptured Bisque Sculptured Black	Sculptured Stainless Sculptured White Sculptured Bisque Sculptured Black	Black White Bisque Black
Flush appearance installation	●	●	●
Undercounter installation	●	●	●
Weights & Dimensions			
Approx. shipping wt. (lbs.)	135	135	130
Oven cabinet width required (in.)	30	30	30
Overall dimensions (WxHxD in inches)	29-3/4 x 28-1/4 x 23-1/2	29-3/4 x 28-1/4 x 23-1/2	29-3/4 x 28-1/4 x 23-1/2
Overall oven interior dimensions (WxHxD in inches)	24 x 16-1/4 x 18-1/4	24 x 16-1/4 x 18-1/4	24 x 17-1/2 x 18-1/4
Power/Ratings			
KW rating @ 240V	3.6	3.6	3.6
208V	2.7	2.7	2.7
Amps @ 240V	20	20	20
208V	20	20	20
Convection wattage	2500	2500	
Broiler/bake wattage	3600/2700	3600/2700	3600/3410

*SS = Stainless steel, WW = White on white, CC = Bisque on bisque, BB = Black on black.

30" Built-In Single Oven Dimensions (in inches) Single Oven Wall-Mount or Cabinet Installation (in inches)



Allow minimum of 21" for clearance to adjacent corners, drawers, walls, or etc.
A=Allow 1" overlap of oven over top and bottom edges of cutout.
B=Allow 11/16"-3/4" for overlap of oven over side edges of cutout.



(Must support 275 lbs.)

Most 30" Wall Cabinets can be used with this unit.

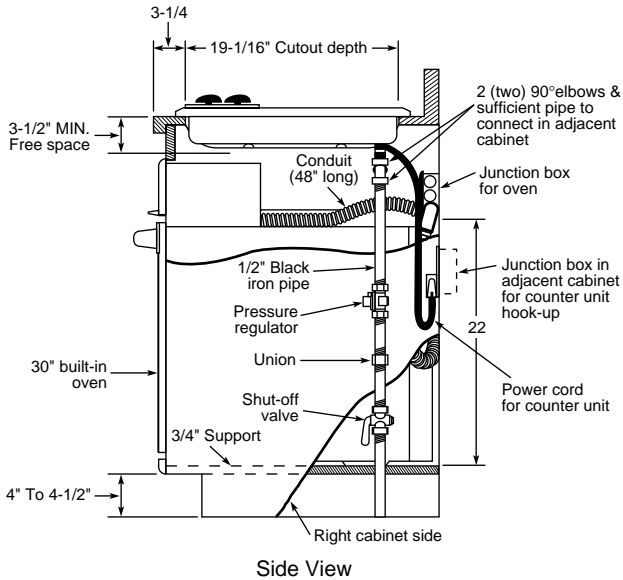
Note: These ovens are *not* approved for stackable or side-by-side installations.

Note: Cabinets installed adjacent to wall ovens must have an adhesion spec of at least a 194°F temperature rating.



30" Built-In Single Ovens (continued)

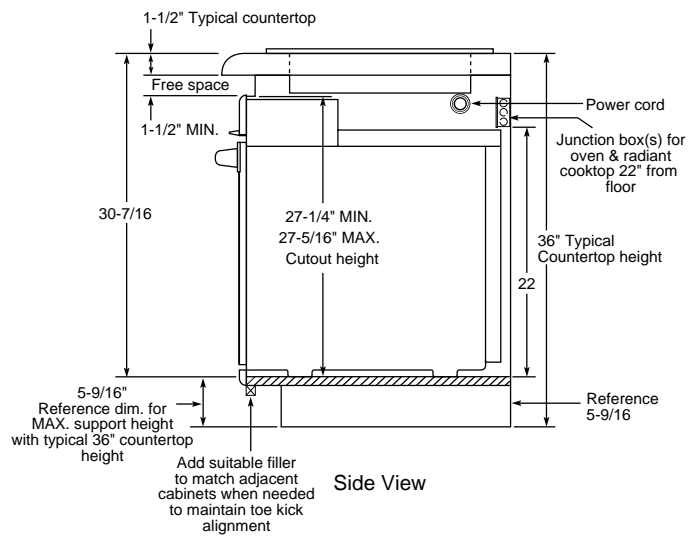
Optional Undercounter Installation With 36" Gas Cooktop (in inches)



Side View

Note: For standard or sealed burner cooktop installation information over the 30" wall oven, refer to 27" wall oven installation, page 47.

Optional Undercounter Installation With 30" CleanDesign or Sealed Burner Gas Cooktop (in inches)



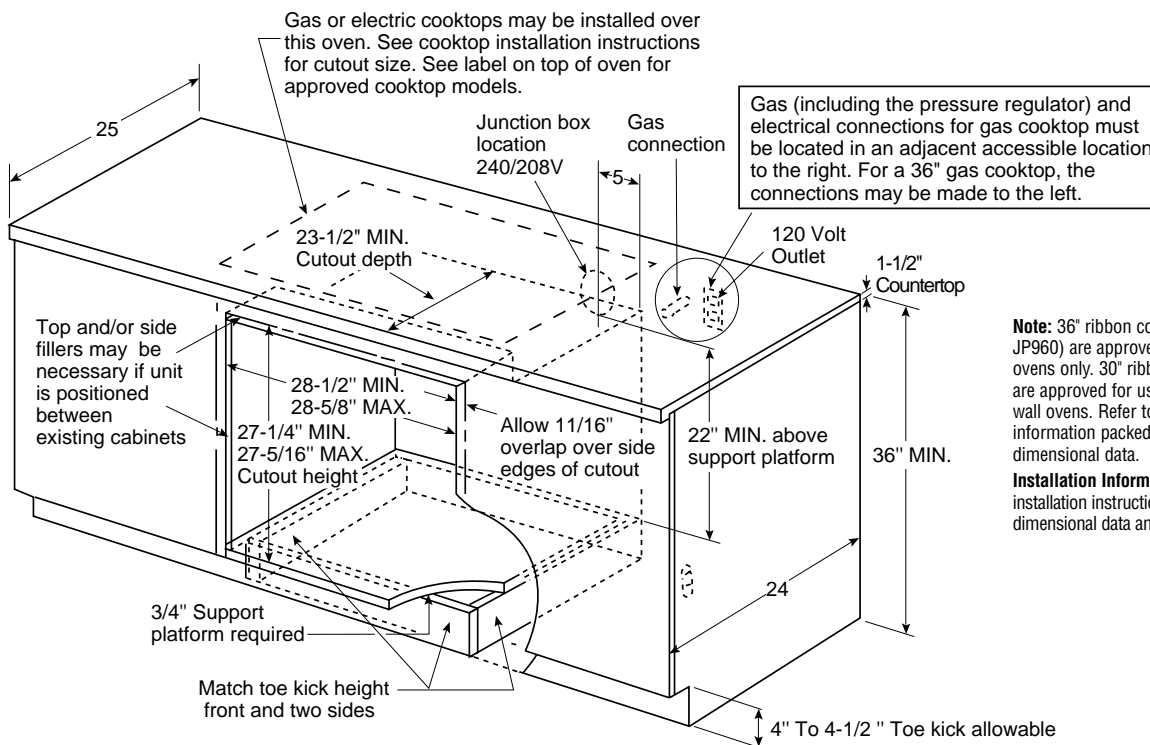
Side View

This installation is to achieve minimum gap between bottom of countertop and control panel.

Note: For this installation, the bottom trim **will not** be flush with a typical 4" toe kick.

Note: Cabinets installed adjacent to wall ovens must have an adhesion spec of at least a 194°F temperature rating.

Undercounter Installation (in inches)



Note: 36" ribbon cooktops (excluding JP968 and JP960) are approved for use over GE 30" single wall ovens only. 30" ribbon cooktops (excluding JP938) are approved for use over GE 30" and GE 27" single wall ovens. Refer to cooktop and wall oven installation information packed with products for current dimensional data.

Installation Information: Before installing, consult installation instructions packed with product for current dimensional data and for alternate installation options.

Electric wall ovens are not approved for installation with a plug and receptacle. They must be hard wired in accordance with installation instructions.

Installation Information: Before installing, consult installation instructions packed with product for current dimensional data.

27" and 24" Built-In Double Ovens

	GE Profile™		GE®			
	27" Convection Double Ovens		27" Double Ovens		27" Microwave Double Ovens	24" Double Oven
	JK955SF JK955WF JK955CF JK955BF		JKP48WF JKP48CF JKP48BF	JKP28WF JKP28BF	JKP86SF JKP86WF JKP86CF JKP86BF	JRP24BD
Features						
Oven	Upper	Convection/Self-Clean	Self-Clean	Self-Clean	Microwave	Self-Clean
	Lower	Thermal/Self-Clean	Self-Clean	Standard	Self-Clean	Standard
Cleaning time		Variable	Variable	Variable (upper)	Variable (Lower)	Variable (upper)
Automatic self-clean oven door lock		●	●	Upper	Upper	Upper
Self-clean oven w/Delay Clean option		●	●	Upper	Lower	Upper
Light self-clean option		●	●	Upper		
TrueTemp™ System		●	●	Upper	Lower	
CleanDesign oven interior		●				
Variable broil		●	●	●	Lower	Upper
Precise Air™ Convection System		Upper				
Multi-rack convection bake		Upper				
Single-rack convection bake		Upper				
Convection roast		Upper				
Auto Recipe™ Conversion		Upper				
SmartSet Controls		Glass touch	●	Upper	Lower	Upper
Proof Mode		Upper				
Warm Mode		Upper				
Oven meat probe		Upper				
Optional closed door broiling		●	●	●	Lower	
Temperature display		●	●	Upper	●	Upper
Delay Bake Option		●	●	Upper	Lower	Upper
C° and F° programmable		●	●	Upper	Lower	Upper
Audible preheat signal		●	●	Upper	Lower	●
Auto oven shut-off w/override		●	●	Upper	Lower	Upper
Electronic clock and kitchen timer		●	●	●	●	●
Control lock capability		●	●	Upper	Lower	Upper
Oven light		Halogen	●	●	Lower	●
Certified Sabbath Mode		●	●	Upper		
Microwave Oven Features:						
Microwave cooking timer					99-Min./99-Sec.	
Microwave power levels					10	
Sensor functions					3	
Electronic MWO touch controls					●	
Microwave oven cavity (cu. ft.)					1.6	
MWO power output watts					1000	
Turntable					●	
Oven racks	Upper	3 Heavy-duty	2	2		2
	Lower	2 Heavy-duty	2	2	2	2
Embossed rack positions		4 Upper/4 Lower	4 Upper/4 Lower	4 Upper/4 Lower	4 Lower	2 Upper/2 Lower
Roasting rack		Upper				
Broiler pan with grid		Upper	Upper	Upper	Lower	●
Convection cookbook		●				
Appearance						
Color appearance*		SS WW CC BB	WW CC BB	WW BB	SS WW CC BB	BB
Frameless oven doors		Stainless steel White Glass Bisque Glass Black Glass	White Glass Bisque Glass Black Glass	White Glass Black Glass	Stainless Steel White Glass Bisque Glass Black Glass	Black Glass
Big ClearView™ windows		●	●	●	Lower	●
Oven door handles		Sculptured Stainless Sculptured White Sculptured Bisque Sculptured Black	Black White Bisque Black	White Black	White Bisque Black	Black
Flush appearance installation		●	●	●	●	
Weights & Dimensions						
Approx. shipping wt. (lbs.)		162	157	157	155	135
Oven cabinet width required (in.)		27	27	27	27	24
Overall dimensions (WxHxD in inches)		26-5/8 x 51 x 23-5/8	26-5/8 x 51 x 23-5/8	26-5/8 x 51 x 23-5/8	26-5/8 x 42-1/2 x 23-5/8	23-3/4 x 48-5/8 x 23-1/8
Overall oven interior dimensions	Upper	21-1/2 x 17 x 18-1/4	21-1/2 x 17 x 18-1/4	21-1/2 x 17 x 18-1/4	16 x 11-1/8 x 13-3/8	17 x 15 x 18-1/2
	Lower	21-1/2 x 17 x 18-1/4	21-1/2 x 17 x 18-1/4	21-1/2 x 17 x 18-1/4	21-1/2 x 17 x 18-1/4	17 x 15 x 18-1/2
Power/Ratings						
KW rating @ 240V		6.8	6.8	7.1	6.4	7.1
	208V	5.1	5.1	5.3	5.1	5.3
Amps @ 240V		30	30	30	30	30
	208V	30	30	30	30	30
Convection wattage		2500				
Broiler/bake wattage		3400/2650	3400/2650	3400/2650	3400/2650	3400/2600

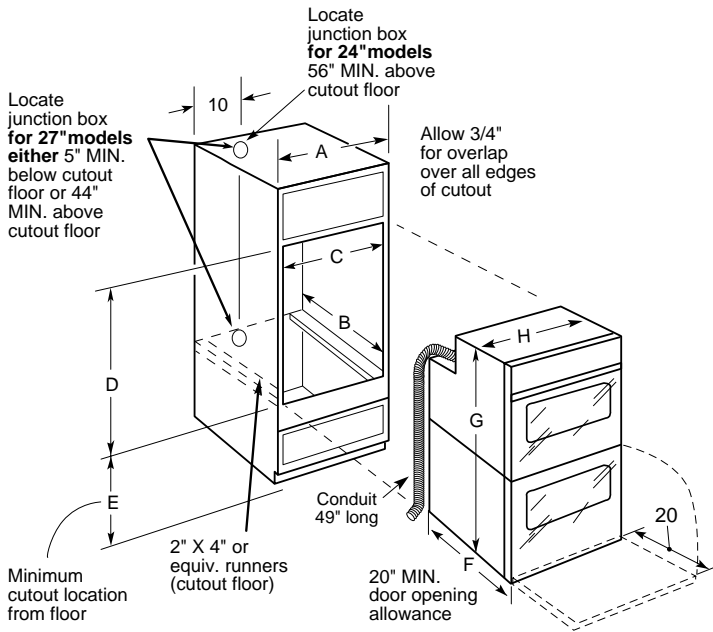
*SS = Stainless steel, WW = White on white, CC = Bisque on bisque, BB = Black on black.



Listed by Underwriters Laboratories

27" and 24" Built-In Double Ovens (continued)

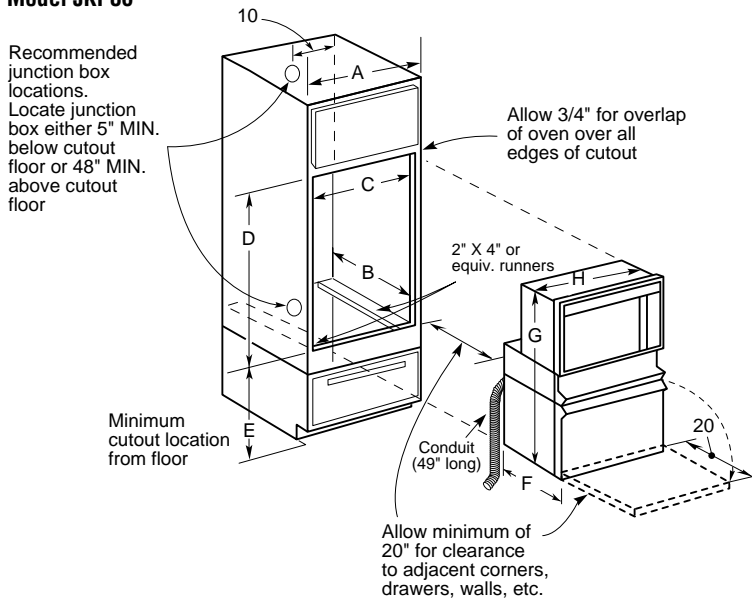
27"/24" Built-In Double Oven Dimensions (in inches)



Note: Cabinets installed adjacent to wall ovens must have an adhesion spec of at least a 194°F temperature rating.

Note: If marks, blemishes or the cutout opening is visible above the installed oven, it may be necessary to add wood shims under the runners and front trim until the marks or openings are covered.

27" Built-In Microwave Double Oven Dimensions (in inches) Model JKP86



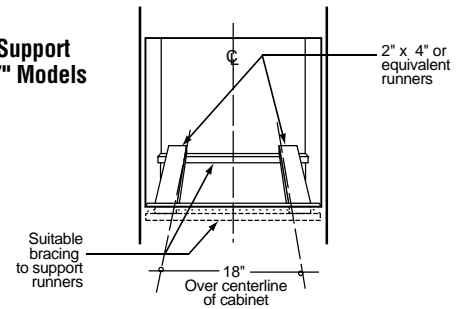
Note: Cabinets installed adjacent to wall ovens must have an adhesion spec of at least a 194°F temperature rating.

Note: If marks, blemishes or the cutout opening is visible above the installed oven, it may be necessary to add wood shims under the runners and front trim until the marks or openings are covered.

Electric wall ovens are not approved for installation with a plug and receptacle. They must be hard wired in accordance with installation instructions.

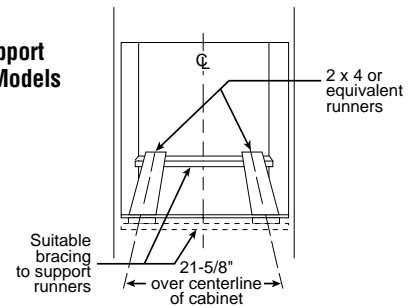
Installation Information: Before installing, consult installation instructions packed with product for current dimensional data.

Oven Support For 27" Models



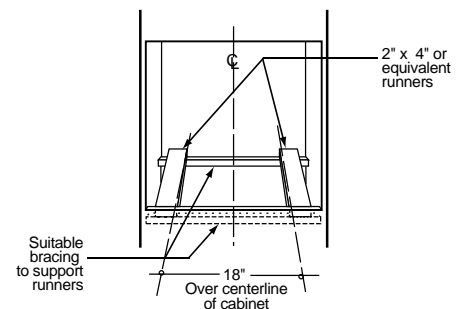
(Must support 275 lbs.)

Oven Support For 24" Models



(Must support 275 lbs.)

Cabinet	JK955/JKP48/28	JRP24
A – Cabinet Width Required	27" min.	24" min.
B – Minimum Cabinet Depth	23-5/8"	23-1/2"
C – Opening Width	25" min. - 25-1/4 max.	22-1/2"
D – Opening Height	50-1/8" max.	48-1/8" min.
E – Recommended Minimum Cutout Location from Floor	13-1/4"	14"
Oven		
F – Overall Depth	23-5/8"	23-1/8"
	w/o trim	50-1/4"
G – Overall Height	51"	48-1/8"
	with trim	49-1/4"
H – Overall Width	26-5/8"	23-3/4"



(Must support 275 lbs.)

Cabinet	27"
A – Cabinet Width Required	27" min.
B – Minimum Cabinet Depth	23-5/8"
C – Opening Width	25" min. - 25-1/4 max.
D – Opening Height	41-1/4" max.
E – Minimum Cutout Location from Floor	22"
Oven	
F – Overall Depth	23-5/8"
	w/o trim
G – Overall Height	41-3/8"
	with trim
H – Overall Width	42-1/8"
	26-5/8"

27" and 24" Built-In Single Ovens

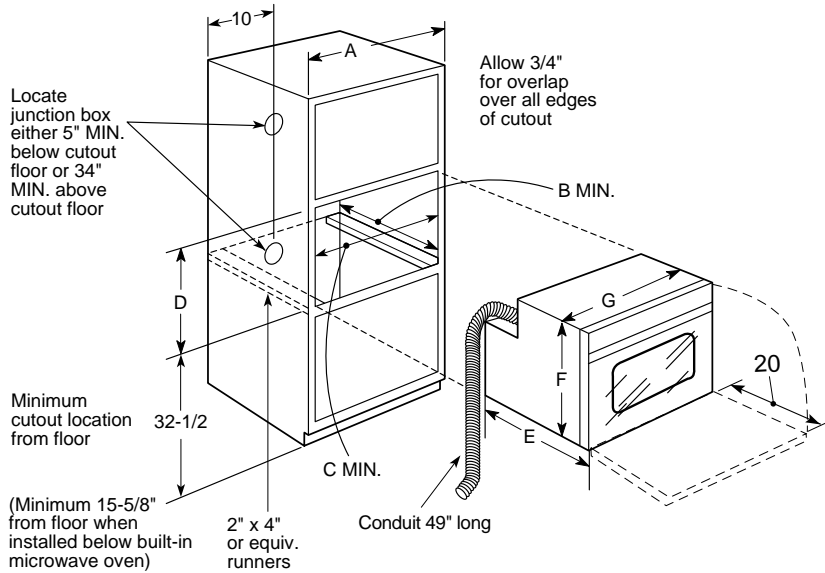
	GE Profile™	GE			
	27" Convection Single Ovens	27" Single Ovens		24" Single Ovens	
	JK915SF JK915WF JK915CF JK915BF	JKP20WF JKP20CF JKP20BF	JKS06BF	JRP15WW JRP15BW	JRS04BW
Features					
Oven	Convection/Self-Clean	Self-Clean	Standard-Clean	Self-Clean	Standard
Cleaning time	Variable	Variable		Variable	
Automatic self-clean oven door lock	●	●		●	
Self-clean oven w/Delay Clean option	●	●		●	
Light self-clean option	●	●			
TrueTemp™ System	●	●	●		
CleanDesign oven interior	●				
Variable broil	●	●	●	●	●
Precise Air™ Convection System	●				
Multi-rack convection bake	●				
Single-rack convection bake	●				
Convection roast	●				
Auto Recipe™ Conversion	●				
SmartSet Controls	Glass touch	●	●	●	●
Proof Mode	●				
Warm Mode	●				
Oven meat probe	●				
Optional closed door broiling	●	●	●		
Temperature display	●	●	●	●	●
Delay Bake Option	●	●	●	●	●
C° and F° programmable	●	●	●	●	●
Audible preheat signal	●	●	●	●	●
Auto oven shut-off w/override	●	●	●	●	●
Electronic clock and kitchen timer	●	●	●	●	●
Control lock capability	●	●		●	
Oven light	Halogen	●	●	●	●
Certified Sabbath Mode	●	●	●		
Oven racks	3 Heavy-duty	2	2	2	2
Embossed rack positions	4	4	4		
Roasting rack	●				
Broiler pan with grid	●	●	●	●	●
Convection cookbook	●				
Appearance					
Color appearance*	SS WW CC BB	WW CC BB	BB	WW BB	BB
Frameless oven doors	Stainless Steel White Glass Bisque Glass Black Glass	White Glass Bisque Glass Black Glass	Black Glass	White Glass Black Glass	Black Glass
Big ClearView™ windows	●	●	●	Standard	Standard
Oven door handles	Sculptured Stainless Sculptured White Sculptured Bisque Sculptured Black	White Bisque Black	Black	White Black	Black
Flush appearance installation	●	●	●		
Undercounter installation	●	●	●		
Weights & Dimensions					
Approx. shipping wt. (lbs.)	98	93	91	114	82
Oven cabinet width required (in.)	27	27	27	24	24
Overall dimensions (WxHxD in inches)	26-5/8 x 29 x 23-5/8	26-5/8 x 29 x 23-5/8	26-5/8 x 29 x 23-5/8	23-3/4 x 28-3/16 x 23-1/8	23-3/4 x 28-3/16 x 23-1/8
Overall oven interior dimensions (WxHxD in inches)	21-1/2 x 17 x 18-1/4	21-1/2 x 17 x 18-1/4	21-1/2 x 17 x 18-1/4	17 x 15 x 18-1/2	17 x 15 x 18-1/2
Power/Ratings					
KW rating @ 240V	3.4	3.4	3.4	3.4	3.4
208V	2.6	2.6	2.6	2.6	2.6
Amps @ 240V	20	20	20	20	20
208V	20	20	20	20	20
Convection wattage	2500				
Broiler/bake wattage	3400/2650	3400/2650	3400/2000	3400/2600	3400/2000

*SS = Stainless steel, WW = White on white, CC = Bisque on bisque, BB = Black on black.



Listed by
Underwriters
Laboratories

27"/24" Built-In Single Oven Dimensions (in inches)



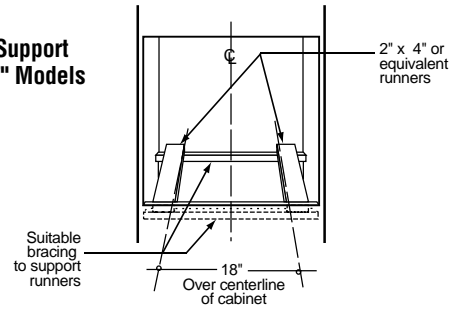
Note: Models JKS06, JRP15, JKP20, JK915 and JRS04 are not approved for stackable or side-by-side installations.

Note: Models JK915 and JKP20 can be installed side-by-side with no less than 30" distance between center-to-center of each oven.

Note: Cabinets installed adjacent to wall ovens must have an adhesion spec of at least a 194°F temperature rating.

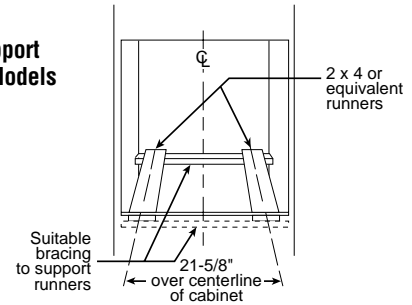
Note: For 27" built-in single ovens, if marks, blemishes or the cutout opening is visible above the installed oven, it may be necessary to add wood shims under the runners and front trim until the marks or openings are covered.

Oven Support For 27" Models



(Must support 275 lbs.)

Oven Support For 24" Models

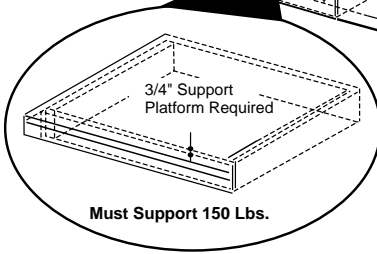
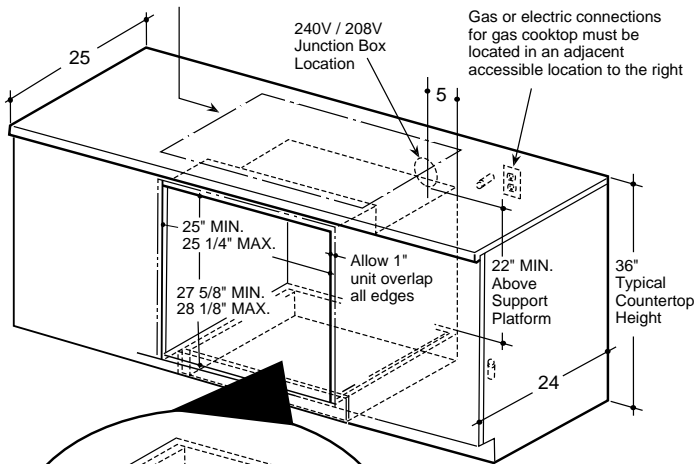


(Must support 275 lbs.)

Cabinet	JK915/JKP20, JKS06	JRP15, JRS04
A – Cabinet Width Required	27" min.	24" min.
B – Minimum Cabinet Depth	23-5/8"	23-1/2"
C – Opening Width	25" min. - 25-1/4 max.	22-1/2"
D – Opening Height	27-5/8" min. - 28-1/8" max.	27-5/8" min.
Oven		
E – Overall Depth	23-5/8"	23-1/8"
	w/o trim	28-1/4"
F – Overall Height	with trim	29"
		28-3/16"
G – Overall Width	26-5/8"	23-3/4"

**Undercounter Installation Dimensions (in inches)
Models JK915, JKP20 and JKS06**

Gas or electric cooktops may be installed over this oven. See cooktop installation instructions for cutout size. See label on top of oven for approved cooktop models.



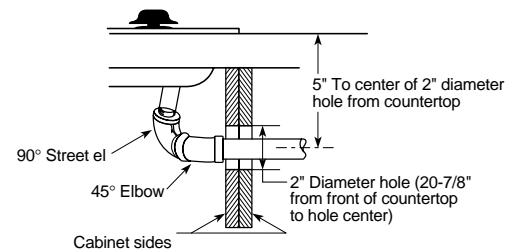
Note: 36" ribbon cooktops (excluding JP968 and JP960) are approved for use over GE 30" single wall ovens only. 30" ribbon cooktops (excluding JP938) are approved for use over GE 30" and GE 27" single wall ovens. Refer to cooktop and wall oven installation information packed with products for current dimensional data.

Electric wall ovens are not approved for installation with a plug and receptacle. They must be hard wired in accordance with installation instructions.

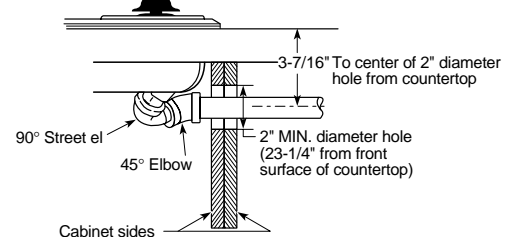
Note: Oven is rated for use only under 30" standard or sealed burner gas and selected 30" CleanDesign and Calrod® electric cooktops.

Installation Information: Before installing, consult installation instructions packed with product for current dimensional data.

Sealed Burner Gas Cooktop Installation Dimensions (in inches)



Standard Burner Gas Cooktop Installation Dimensions (in inches)



Note: Cabinets installed adjacent to wall ovens must have an adhesion spec of at least a 194°F temperature rating.

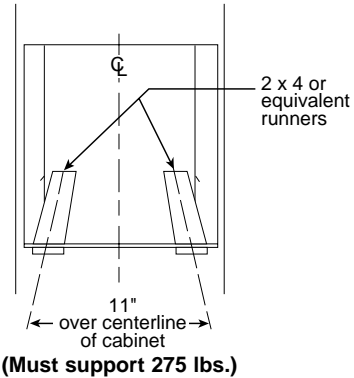
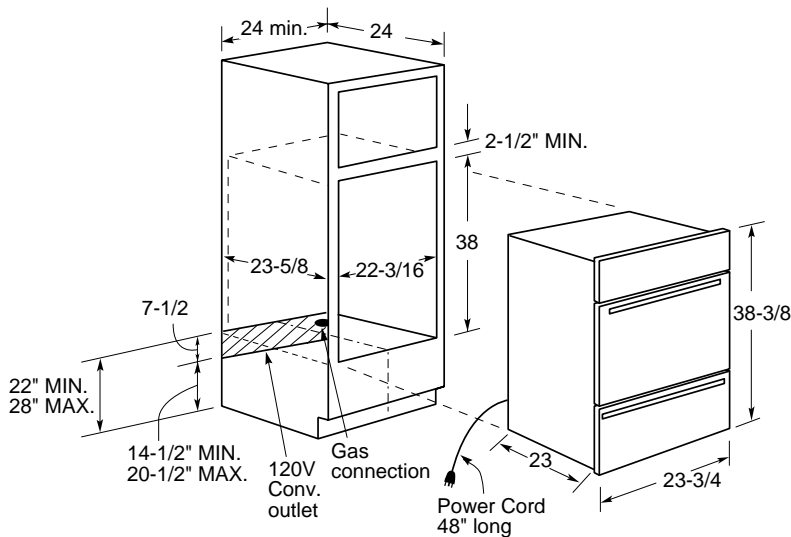
24" Built-In Gas Ovens

	GE	
	JGRP17WEW JGRP17BEW	JGRS14BEW
Features		
Oven interior	Self-Clean	Standard
Automatic self-clean oven door lock	●	
Delay Clean option	●	
In-oven broiling	●	
Separate broiler drawer		●
Storage drawer	●	
SmartSet controls	●	●
Temperature display	●	●
Start pad	●	●
Delay Bake option w/Cook & Hold	●	●
C° or F° programmable	●	●
Audible preheat signal	●	●
Auto oven shut-off w/override	●	●
Electronic clock and kitchen timer	●	●
Control lock capability	●	
Oven light pad	●	●
Oven racks	2	2
Broiler pan with grid	●	●
Electronic pilotless ignition	●	●
Appearance		
Color appearance*	WW BB	BB
Frameless oven door	White Glass Black Glass	Black Glass
Oven door with window	●	●
Designer-style handle	●	●
Weights & Dimensions		
Approx. shipping weight (lbs.)	144	139
Oven cabinet width required (in inches)	24	24
Overall dimensions (WxHxD in inches)	← 23-3/4 x 38-3/8 x 23 →	
Overall oven interior dimensions (WxHxD in inches)	← 17 x 15 x 18-7/8 →	
Power/Ratings		
Gas oven electrical rating	120V, 60Hz, 5A	120V, 60Hz, 15A
	14.5 - Oven	
Oven /broiler burners (000's BTU's)	13.0 - Broil	14.5

*WW = White on white, BB = Black on black.
Factory set for natural gas.



Built-In Gas Oven Dimensions (in inches)



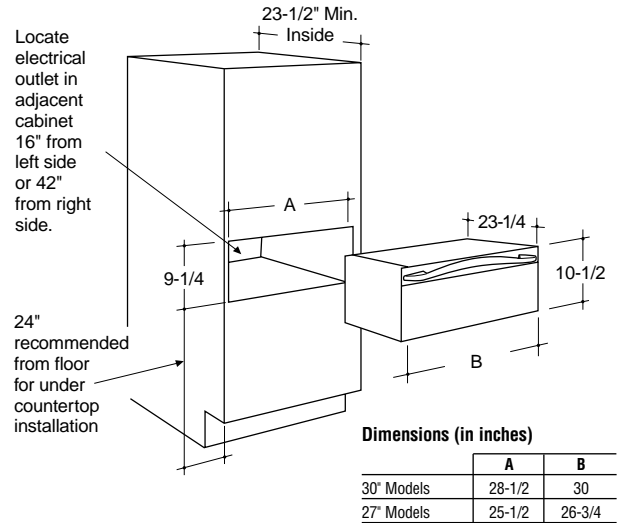
Installation Information: Before installing, consult installation instructions packed with product for current dimensional data.

30" and 27" Warming Drawers

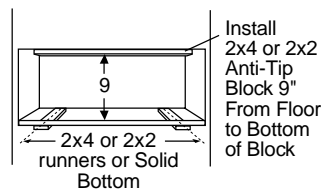
	GE Profile™	
	30" Warming Drawers	27" Warming Drawers
	JTD915SF JTD915WF JTD915CF JTD915BF	JKD915SF JKD915WF JKD915CF JKD915BF
Features		
Temperature control	•	•
Proof (80°F)	•	•
Low (140°F)	•	•
Medium (170°F)	•	•
High (210°F)	•	•
Humidity control	Crisp/Moist	Crisp/Moist
Hidden control	•	•
ON/OFF switch	•	•
"ON" indicator light	•	•
Half rack	•	•
Full extension drawer glide	•	•
Removable stainless steel pan	•	•
Appearance		
	SS WW CC BB	SS WW CC BB
Color appearance*	Stainless Steel White glass Bisque glass Black glass	Stainless Steel White glass Bisque glass Black glass
Frameless drawer front	Stainless Steel White Bisque Black	Stainless Steel White Bisque Black
Sculptured handle		
Weights & Dimensions		
Interior dimensions (WxHxD in inches)	23-7/8 x 6-1/4 x 22-1/16	20-7/8 x 6-1/4 x 22-1/16
Cutout dimensions (WxHxD in inches)	28-1/2 x 9-1/4 x 23-1/2	25-1/2 x 9-1/4 x 23-1/2
Approx. shipping weight (lbs.)	65	59
Power/Ratings		
KW rating @ 120V	.45	.45
Amps @ 120V	15	15
Element wattage	450	450
Accessories		
1/4" panel kit capability	ZXD30B	ZXD27B
Pan set (5 pans with lids)	JXPN1	JXPN1

*SS = Stainless Steel, WW = White on white, CC = Bisque on bisque, BB = Black on black.

Warming Drawer Dimensions (in inches)



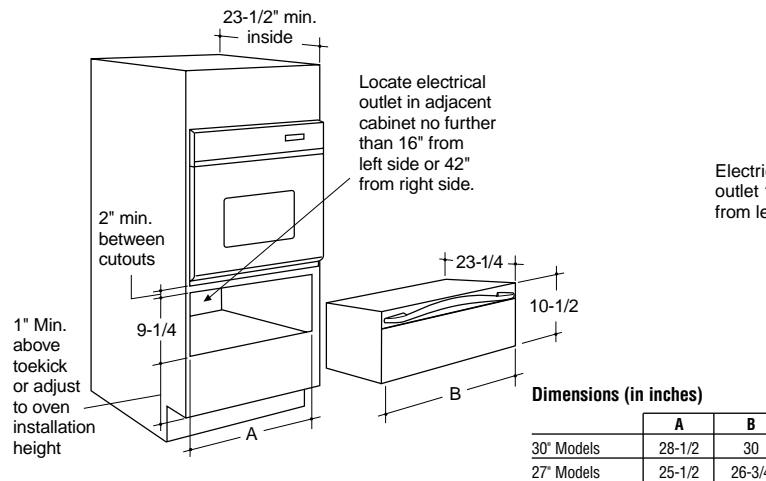
	A	B
30" Models	28-1/2	30
27" Models	25-1/2	26-3/4



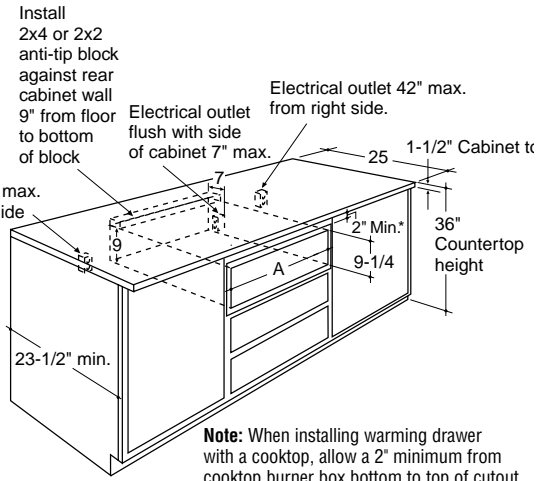
(Must Support 150 lbs.)



Under Oven Installation (in inches)

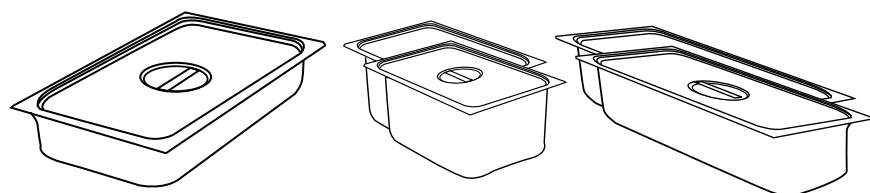


Undercounter Installation (in inches)



Installation Information: Before installing, consult installation instructions packed with product for current dimensional data.

Pan Set Accessory For Warming Drawer – JXPN1



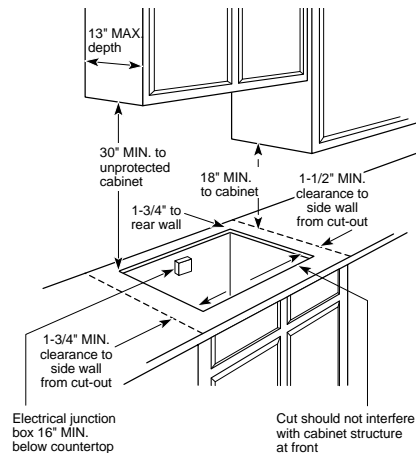
- Five Commercial Pans with Lids (4" deep)**
- One large pan (14 quarts)
 - Two medium pans (6 quarts each)
 - Two small pans (3 quarts each)

Built-In CleanDesign Cooktops

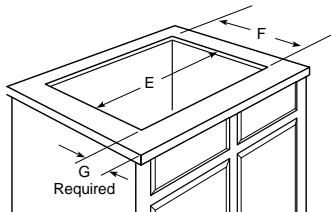
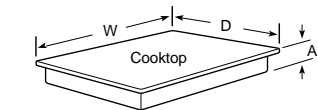
Features	GE Profile™					GE
	JP968SC JP968WC JP968CC JP968BC	JP960SC JP960TC JP960KC JP960BC	JP938SC JP938WC JP938CC JP938BC	JP930SC JP930TC JP930KC JP930BC	JP350SC JP350TC JP350WC JP350KC JP350BC	JP340WC JP340CC JP340BC
Ceramic-glass surface	Patterned Black Patterned White Patterned Bisque Patterned Black	Patterned Black True White True Bisque Patterned Black	Patterned Black Patterned White Patterned Bisque Patterned Black	Patterned Black True White True Bisque Patterned Black	Patterned Black True White Patterned White True Bisque Patterned Black	Patterned White Patterned Bisque Patterned Black
Number of elements	5 Ribbon	5 Ribbon	4 Ribbon	4 Ribbon	4 Ribbon	4 Ribbon
Dual 6"/9" heating elements	1 Ribbon (2500W)	1 Ribbon (2500W)	1 Ribbon (2500W)	1 Ribbon (2500W)	1 Ribbon (2500W)	
8" heating elements					2 Ribbon (2000W)	2 Ribbon (2000W)
7" heating element	1 Ribbon w/Warmer (1500W)	1 Ribbon (1500W)				
7" heating elements	2 Ribbon (1800W)	2 Ribbon (1800W)	2 Ribbon (1800W)	2 Ribbon (1800W)		
Bridge element	1 Ribbon (800W)	1 Ribbon (800W)	1 Ribbon (800W)	1 Ribbon (800W)		
Total wattage	4400W	4400W	4400W	4400W		
6" heating elements	1 Ribbon (1200W)	1 Ribbon (1200W)	1 Ribbon w/Warmer (1200W)	1 Ribbon (1200W)	1 Ribbon (1200W)	2 Ribbon (1200W)
Hot surface indicator lights	5	5	4	4	4	1
Electronic touch controls	●	●	●	●	●	●
Pan presence sensor	●	●	●	●	●	●
Pan size sensor	●	●	●	●	●	●
Kitchen timer	●	●	●	●	●	●
Control lock capability	●	●	●	●	●	●
Appearance						
Color appearance*	SS WW CC BB	SS WW CC BB	SS WW CC BB	SS WW CC BB	SS WW CC BB	WW CC BB
Frameless	●	●	●	●	●	●
Weights & Dimensions						
Cooktop width (inches)	36	36	30	30	30	30
Approx. shipping weight (lbs.)	45	44	38	38	38	35
Power/Ratings						
KW rating @ 240V	9.6	9.6	8.1	8.1	7.7	6.4
208V	7.2	7.2	6.1	6.1	5.8	4.8
Amps @ 240V	40	40	40	40	40	30
208V	40	40	30	30	30	30

*SS = Stainless Steel, WW = White on white, CC = Bisque on bisque, BB = Black on black.

Counter Installation Dimensions (in inches)



Cooktop Dimensions (in inches)



Cooktop Dimensions (in inches)

Model	Overall			Cutout			To Edge of Front Counter (Min.)
	W	D	A	E	F	G	
JP968WC/CC/BC	36	20-3/8	3-1/4*	33-7/8	19-1/8	2-1/2	
JP960TC/KC/BC	36	20-3/8	3-1/4*	33-7/8	19-1/8	2-1/2	
JP938WC/CC/BC	29-3/4	20-7/8	3-1/4*	28-1/2	19-5/8	2-1/2	
JP930TC/KC/BC	29-3/4	20-7/8	3-1/4*	28-1/2	19-5/8	2-1/2	
JP350TC/WC/KC/BC	29-3/4	20-7/8	3-1/4*	28-1/2	19-5/8	2-1/2	
JP340WC/BC	29-3/4	20-7/8	3-1/4*	28-1/2	19-5/8	2-1/2	

*Depth of unit at conduit connection location (rear) is 6-1/4" on models JP968/938 and 4-5/8" on models JP960/930/350/340.

Stainless Steel Cooktop Dimensions (in inches)

Model	Overall			Cutout			To Edge of Front Counter (Min.)
	W	D	A	E	F	G	
JP968SC	36-1/8	21	3-1/4*	33-7/8	19-1/8	2-1/2	
JP960SC	36-1/8	21	3-1/4*	33-7/8	19-1/8	2-1/2	
JP938SC	29-7/8	21-1/2	3-1/4*	28-1/2	19-5/8	2-1/2	
JP930SC	29-7/8	21-1/2	3-1/4*	28-1/2	19-5/8	2-1/2	
JP350SC	29-7/8	21-1/2	3-1/4*	28-1/2	19-5/8	2-1/2	

*Depth of unit at conduit connection location (rear) is 6-1/4" on models JP968/938 and 4-5/8" on models JP960/930/350.

Built-In CleanDesign Cooktops

Requires a 5" free area between the bottom of the cooktop to any combustible material, i.e., shelving. Free area not required when installing wall oven underneath cooktop. Refer to installation instructions. Requires an 18" minimum from cooktop to adjacent overhead cabinets. Units are furnished with a 48" flexible armored cable.

36" Ribbon cooktops (excluding JP968 and JP960) are approved for use over GE 30" Single Wall Ovens only. 30" Ribbon cooktops (excluding JP938) are approved for use over GE 30" Single Wall Ovens only. Refer to cooktop and wall oven installation instructions packed with product for current dimensional data.

Notes: If installing with a GE Profile Telescopic Downdraft System, consult both cooktop and downdraft installation instructions packed with product before installing. Cooktop gas/electric supply may need to be re-routed to install downdraft.

The countertop must be at least 26" deep with a flat surface area of 23-1/2" or more, front to back. JGP938S, JGP930S, JP350S and JGP932S require 23-5/8" flat surface area. In addition, other clearances to the front edge of the countertop must be considered.

Note: Consult cabinet and countertop manufacturer's specs for flush mount installation prior to install.

Filler Trim Kit

When replacing an old GE 30" cooktop (with larger opening) with Models JP938/930/350/340, use the following one-piece trim kit to fill in the over-size hole. Available at additional cost.
JXTR31W (True White)
JXTR31C (True Bisque)
JXTR31B (Black—use with black glass cooktops with a white, bisque or black pattern)

Flush Mount Installation Kit

Accommodates both 30" and 36" installations. Not for use with stainless steel models.
JXFLMTW (True White)
JXFLMCC (True Bisque)
JXFLMBB (Black—use with black glass cooktops with a white, bisque or black pattern)

Optional Accessory

ZX375 Universal Griddle is non-stick and fits all electric smooth top ranges, cooktops, electric bridge elements and gas ranges.

Installation Information:

Before installing, consult installation instructions packed with product for current dimensional data.

Built-In Electric Cooktops

GE				
	JP626WV JP626CC	JP326WV JP326CC JP326BV JP326CV	JP201CB	JP202D
Features				
Cooktop surface	Porcelain-Enameled	Porcelain-Enameled Porcelain-Enameled Porcelain-Enameled Brushed-Chrome	Stainless Steel	Porcelain-Enameled
Lift-up cooktop with support rod	●	●		
8" heating elements	2 Plug-In Calrod®	2 Plug-In Calrod®	1 Plug-In	1 Plug-In
6" heating elements	2 Plug-In Calrod®	2 Plug-In Calrod®	1 Plug-In	1 Plug-In
One-piece removable drip bowls	Chrome	Chrome Chrome Black Porc.-Enam. Chrome	Chrome	Chrome
Infinite heat rotary controls	●	●	●	●
Control panel location	Upfront	Right Side	Upfront	Upfront
Control panel	White Glass Bisque Glass	White Glass Bisque Glass Black Glass Black Glass		
Surface element "ON" indicator light	●	●	●	●
Appearance				
Color appearance*	WW CC	WW CC BB BC	SS	WW
Weights & Dimensions				
Cooktop width (in inches)	36	30	21-1/4	21-1/4
Approx. shipping weight (lbs.)	38	29	18	18
Power/Ratings				
KW rating @ 240V	7.4	7.4	3.4	3.4
208V	5.6	5.6	2.5	2.5
Amps @ 240V	40	40	20	20
208V	30	30	20	20

*SS = Stainless Steel, WW = White on white, CC = Bisque on bisque, BB = Black on black, BC = Brushed-Chrome.

Built-In Electric Cooktops

Required free area between the bottom of the cooktop and any combustible material, i.e., shelving is 5" minimum on models JP626/326 and 1-1/2" minimum on models JP201/202. Free area not required when installing wall oven underneath. Requires an 18" minimum from cooktop to adjacent overhead cabinets. Units are furnished with a 48" flexible armored cable.

Cooktop models JP326WV/326BV/326CC/326CV are approved for use over select GE 27" or 30" Single Wall Ovens. JP626WV/626BV are approved for use over GE 30" Single Wall Ovens only. Refer to cooktop and wall oven installation instructions packed with product for current dimensional data.

Cooktop models JP201CB and JP202D are approved for use over GE undersink dishwasher model GSM2100. Refer to cooktop installation instructions packed with product for current dimensional data.

Note: If installing with a GE Profile Telescopic Downdraft System, consult both cooktop and downdraft installation instructions packed with product before installing. Cooktop gas/electric supply may need to be re-routed to install downdraft.

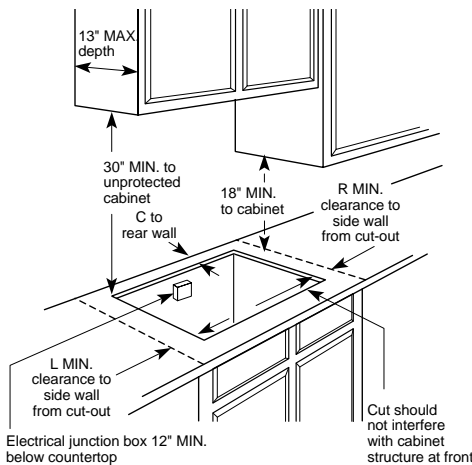
Note: The countertop must be at least 26" deep with a flat surface area of 23-1/2" or more, front to back. In addition, other clearances to the front edge of the countertop must be considered.

Filler Trim Kit—When replacing an old GE 30" cooktop (with larger opening) with Models JP326WV, JP326CC, JP326BV, JP326CV, use the following one-piece trim kit to fill in the over-size hole. Available at additional cost.
 JXTR31W (White)
 JXTR31C (Bisque)
 JXTR31B (Black)

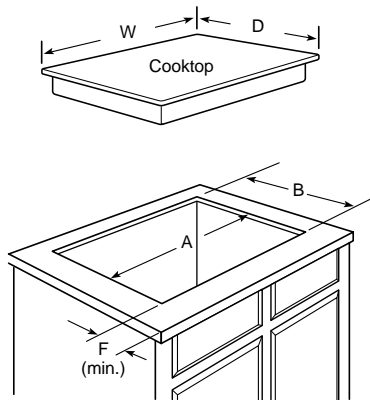
Installation Information:

Before installing, consult installation instructions packed with product for current dimensional data.

Counter Installation Dimensions (in inches)



Built-In Cooktop Dimensions (in inches)



Dimensions (in inches)

Model	Overall		Cutout		Minimum Spacing To Nearest Combustible Wall			To Edge of Front Counter (Min.)
	W	D	A	B	C	R	L	F
JP626	35-1/2	21	33-7/8	19-1/8	1-3/4	6	6	2-1/2
JP326	30-1/4	21-1/4	28-1/2	19-5/8	1-3/4	2	5-1/2	2-1/2
JP202	21-1/4	16-5/8	20-1/8	16-1/8	2	2	2	2-3/4
JP201	21-1/4	16-5/8	20-1/8	16-1/8	2	2	2	2-3/4

Built-In Electric Downdraft Cooktops

	GE Profile™		
	JP989SD	JP989TD JP989KD	JP989BD
Features			
Downdraft exhaust (CFM)	400	400	400
Three-speed downdraft vent fan	●	●	●
Ceramic-glass surface	Black	True White True Bisque	Black
Number of elements	4	4	4
Dual 6"/9" heating elements	1 Ribbon (2500W)	1 Ribbon (2500W)	1 Ribbon (2500W)
7" heating elements	2 Ribbon (1800W)	2 Ribbon (1800W)	2 Ribbon (1800W)
Bridge element	1 Ribbon (800W)	1 Ribbon (800W)	1 Ribbon (800W)
Total wattage	4400W	4400W	4400W
6" heating elements	1 Ribbon (1500W)	1 Ribbon (1500W)	1 Ribbon (1500W)
Infinite heat controls	●	●	●
Hot surface indicator lights	4	4	4
Heating element "ON" indicator light	●	●	●
Appearance			
Color appearance*	SS	WW CC	BB
Frameless	●	●	●
Weights & Dimensions			
Cooktop width (in inches)	30	30	30
Overall dimensions (WxD in inches)	← 29-7/8 x 21-7/8 →		
Approx. shipping weight (lbs.)	72	72	72
Power/Ratings			
KW Rating @ 240V	8.8	8.8	8.8
208V	6.7	6.7	6.7
Amps @ 240V	40	40	40
208V	40	40	40

*SS = Stainless steel, WW = White on white, CC = Bisque on bisque, BB = Black on black.

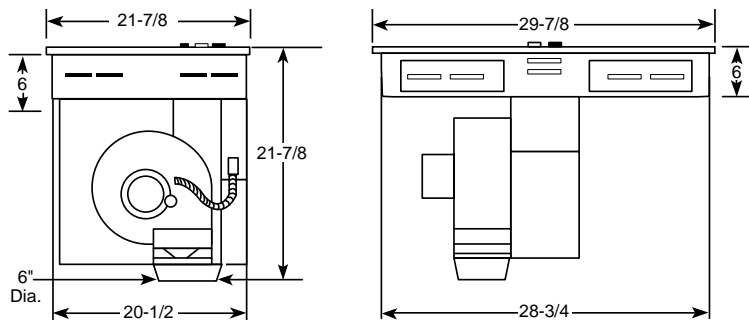
Built-In Gas Downdraft Cooktops

	GE Profile™		
	JGP989TC	JGP989KC	JGP989BC
Features			
Cooktop burners	Sealed	Sealed	Sealed
Electronic pilotless ignition	●	●	●
Ceramic-glass surface	True White	True Bisque	Black
Burner grates	2	2	2
Downdraft exhaust (CFM)	400	400	400
Appearance			
Color appearance*	WW	CC	BB
Frameless	●	●	●
Weights & Dimensions			
Cooktop width (in inches)	30	30	30
Overall dimensions (WxD in inches)	← 29-7/8 x 21-7/8 →		
Approx. shipping weight (lbs.)	90	90	90
Power/Ratings			
Gas cooktop electrical rating	120V	120V	120V
Burners (000's/BTU's)**	(2) 9.1/8.5	(2) 9.1/8.5	(2) 9.1/8.5
Natural Gas/LP Gas	(1) 11.5/11.0 (1) 5.5/5.5	(1) 11.5/11.0 (1) 5.5/5.5	(1) 11.5/11.0 (1) 5.5/5.5

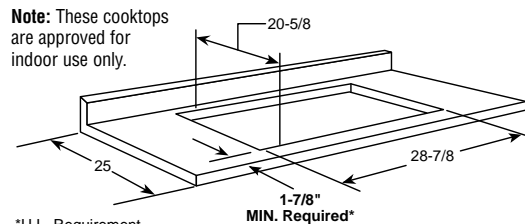
*WW = White on white, CC = Bisque on bisque, BB = Black on black.

**A set of LP orifices is included with each cooktop for LP conversion. Factory set for natural gas.

Built-In Electric and Gas Downdraft Cooktops Dimensions (in inches)



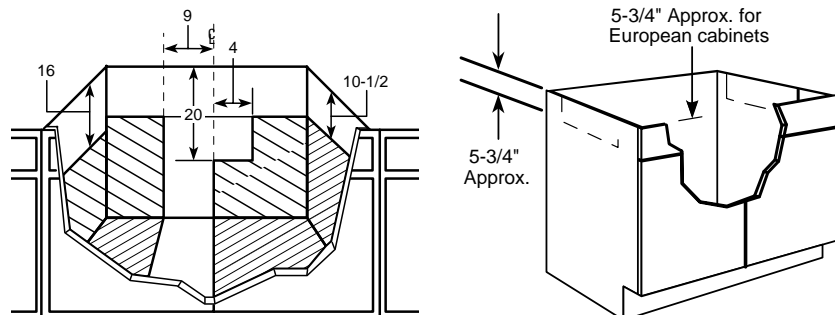
Built-In Electric and Gas Cutout Dimensions (in inches)



*U.L. Requirement.

Note: A 5" minimum spacing to adjacent side wall is required on JGP989. A 6" minimum spacing to adjacent side wall is required on JP989.

Built-In Electric and Gas Cabinet Dimensions (in inches)



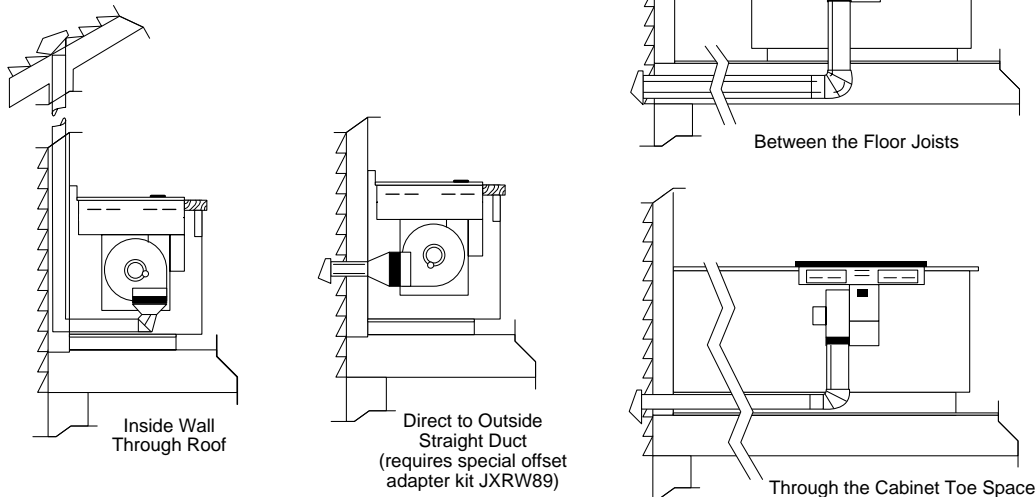
Receptacle Location

Install an approved junction box within shaded area shown in diagram. Junction box must be at least 10-1/2" below top of cabinet.

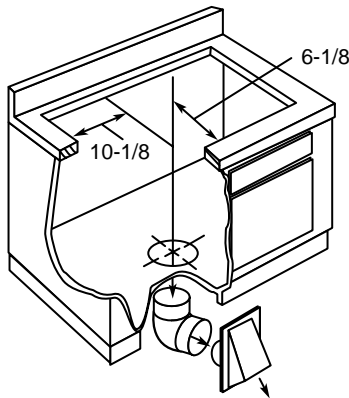
Preparing the Cabinet for Installation

In some cabinets, the sides may need to be scooped or cut down 5-3/4" as shown (right) and the corner braces removed in order to accommodate the cooktop.

Built-In Electric and Gas Downdraft Cooktop Venting Options



Built-In Electric and Gas Downward Venting (in inches)



Wall Installation

Wall installations require 25" countertop depth. When cabinet is flush against the wall, the fan housing can be rotated to the horizontal position for direct venting through rear wall. Make a countertop cutout in the range cabinet according to unit dimensions and installation type. Duct hole is positioned in back of cabinet for through-the-wall ducting. Requires special offset adapter JXRW89.

Peninsula or Island Installation

For peninsula/islands a minimum 26" countertop depth is suggested. Blower should be in vertical position. Island or peninsula cabinets may require adjustment in cutout depth and/or location within the width dimensions. Duct hole is positioned in bottom of cabinet for island or peninsula installation.

Slab Installation

For peninsula or island installation and rear wall ducting, **6" PVC duct or locally approved piping should be used if installing under a poured concrete slab.**

Note: Electrical cable is not supplied with unit

JXRW89 Rear Wall Installation Kit

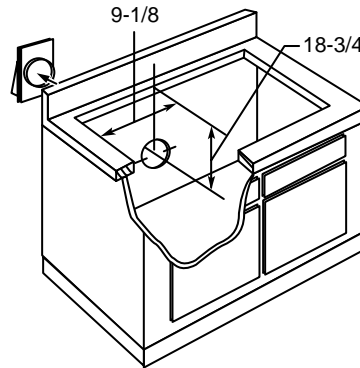
Optional accessories may be ordered for installation on rear wall.

JXCK89 Electrical Connection Kit

Optional accessory kit for JP989 electric downdraft cooktop only, includes junction box and conduit.

Installation Information: Before installing, consult installation instructions packed with product for current dimensional data.

Built-In Electric and Gas Rear Wall Venting (in inches)



Installing the Ductwork

Use galvanized or aluminum duct in 6" round or 3-1/4" x 10" size, or combination of both. **PVC duct or locally approved piping should be used if installing under a poured concrete slab.** Local building code must be followed in specifying type and schedule of all duct used.

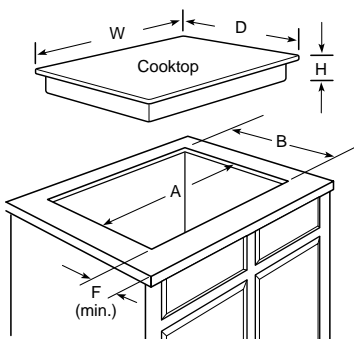
Note: Ductwork must be vented to outside. Do not vent into a wall, ceiling, crawl space, attic or any concealed space. Always use an appropriate roof or wall cap with damper. **Laundry-type wall caps should never be used.** For maximum efficiency use the shortest and straightest duct run possible, with as few fittings as possible. For satisfactory performance the duct run should not exceed 100 feet equivalent length. Refer to the table of equivalent lengths (shown in installation instructions) for various duct configurations.

Built-In Gas Cooktops

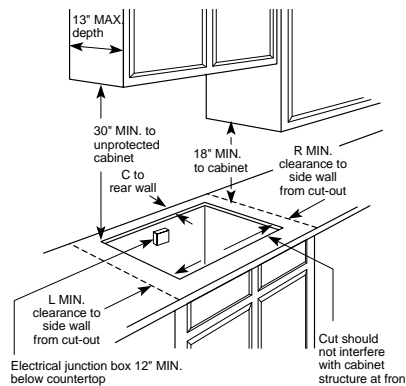
	GE Profile™				GE®								
	JGP963SEF JGP963WEC JGP963CEC JGP963BEC	JGP962SEC JGP962TEC JGP962KED JGP962BEC	JGP933SEF JGP933WEC JGP933CEC JGP933BEC	JGP932SEC JGP932TEC JGP932KED JGP932BEC	JGP960SED	JGP636WED JGP636CED	JGP930SED	JGP336WED JGP336CED	JGP628WEC JGP628CEC JGP628BEC	JGP328WEC JGP328CEC JGP328BEC	JGP326WEC JGP326CEC JGP326BEC	JGP320EV	
Features													
Cooktop burners	5 Sealed	5 Sealed	4 Sealed	4 Sealed	5 Sealed	5 Sealed	4 Sealed	4 Sealed	4 Sealed	4 Sealed	4 Sealed	4 Sealed	4 Standard
Max. Plus burner 15,000 BTU	●	●	●	●									
Maximum Output burner					●	●	●	●					
Precise Simmer burner(s)	2	2	●	●	2	2	●	●	●	●	●		
Electronic pilotless ignition	●	●	●	●	●	●	●	●	●	●	●	●	●
Cooktop surface	Stainless Porcelain	Ceramic-Glass	Stainless Porcelain	Ceramic-Glass	Tempered Glass	Tempered Glass	Tempered Glass	Tempered Glass	Porcelain-Enameled	Porcelain-Enameled	Porcelain-Enameled	Porcelain-Enameled	Porcelain-Enameled
Cooktop grates	Continuous Deluxe Cast	Continuous Deluxe Cast	Continuous Deluxe Cast	Continuous Deluxe Cast	Deluxe Cast	Deluxe Cast	Deluxe Cast	Deluxe Cast	Continuous	Continuous	Medium Cast	Standard Steel	Standard Steel
One-piece drip pans					Porc.-Enam.	Porc.-Enam.	Porc.-Enam.	Porc.-Enam.	Porc.-Enam.	Porc.-Enam.	Porc.-Enam.	Porc.-Enam.	Chrome
Control panel	Stainless White Bisque Black	Stainless True White True Bisque Black	Stainless White Bisque Black	Stainless True White True Bisque Black	Black	White Bisque Black	Black	White Bisque Black	White Bisque Black	White Bisque Black	White Bisque Black	White Bisque Black	White/Black
Controls	Upfront	Upfront	Right Side	Right Side	Upfront	Upfront	Right Side	Right Side	Upfront	Right Side	Right Side	Right Side	Right Side
Appearance													
Color appearance*	SS WW CC BB	SS WW CC BB	SS WW CC BB	SS WW CC BB	SS	WW CC BB	SS	WW CC BB	WW CC BB	WW CC BB	WW CC BB	WW CC BB	WH/BL
Weight & Dimensions													
Cooktop width (in inches)	36	36	30	30	36	36	30	30	36	30	30	30	30
Approx. shipping weight (lbs.)	54	59	44	49	38	38	30	30	51	44	44	44	31
Power/Ratings													
Gas cooktop electrical rating	120V, 60Hz, 5A												
Burners (000's/BTU's):	Nat. Gas/ LP Gas†	(1) 15.0/14.0 (1) 11.0/10.0 (1) 9.1/8.1 (2) 6.0/6.0	(1) 15.0/14.0 (1) 11.0/10.0 (1) 9.1/8.1 (2) 6.0/6.0	(1) 15.0/14.0 (1) 11.0/10.0 (1) 9.1/8.1 (1) 6.0/6.0	(1) 15.0/14.0 (1) 11.0/10.0 (1) 9.1/8.1 (2) 5.0/4.0	(1) 12.0/9.4 (2) 9.5/7.0 (2) 5.0/4.0	(1) 12.0/9.4 (2) 9.5/7.0 (2) 5.0/4.0	(1) 12.0/9.4 (2) 9.5/7.0 (1) 5.0/4.0	(1) 12.0/9.4 (2) 9.5/7.0 (1) 5.0/4.0	(3) 9.1/8.1 (1) 6.0/6.0	(3) 9.1/8.1 (1) 6.0/6.0	(3) 9.1/8.1 (1) 6.0/6.0	(4) 9.1/8.0

*SS = Stainless Steel, WW = White on white, CC = Bisque on bisque, BB = Black on black, WH = White, BL = Black.
 †A set of LP orifices is included with each cooktop for LP conversion. Factory set for natural gas.

Cooktop Dimensions (in inches)



Counter Installation Dimensions (in inches)



Installation Information: Before installing, consult installation instructions packed with product for current dimensional data.

Dimensions (in inches)

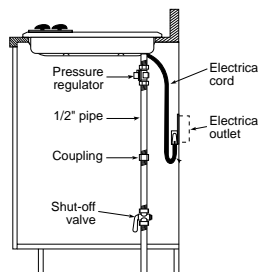
Model	Overall			Cutout			Minimum Spacing To Nearest Combustible Wall			To Edge of Front Counter
	W	D	H	A	B	C	L	R	F	
JGP963	36	21	3-3/16	33-7/8	19-1/8	2-1/4	3-3/4	3-3/4	2-1/2	
JGP933	30	21	3-3/16	28-1/2	19-5/8	2-1/4	3-3/4	3-3/4	2-1/2	
JGP962	36	20-7/16	3-1/16	33-7/8	19-1/8	2-1/4	3-3/4	3-3/4	2-1/2	
JGP932	29-3/4	21	3-3/16	28-1/2	19-5/8	2-1/4	3-3/4	3-3/4	2-1/2	
JGP960	36	21	3-1/16	33-7/8	19-1/8	2-1/4	3-3/4	3-3/4	2-1/2	
JGP636	36	21	3-1/16	33-7/8	19-1/8	2-1/4	3-3/4	3-3/4	2-1/2	
JGP628	36	21	3-3/16	33-7/8	19-1/8	2-1/4	3-3/4	3-3/4	2-1/2	
JGP930	30	21	2-1/2	28-1/2	19-5/8	2-1/4	3-3/4	3-3/4	2-1/2	
JGP336	30	21	2-1/2	28-1/2	19-5/8	2-1/4	3-3/4	3-3/4	2-1/2	
JGP328	30	21	3-3/16	28-1/2	19-5/8	2-1/4	3-3/4	3-3/4	2-1/2	
JGP326	30	21	2-1/2	28-1/2	19-5/8	2-1/4	3-3/4	3-3/4	2-1/2	
JGP320	30-1/4	21-1/4	3-9/32	28-1/2	19-5/8	1-3/4	3	3	3-1/4	

*Allow 5-3/4" depth at rear for electrical and gas connections.

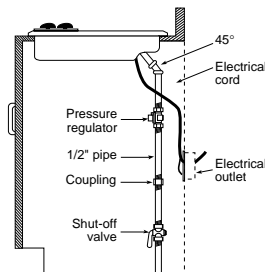
Note: All gas cooktop models require 7/16" free area below cooktop height to combustible material. 0" clearance is required between left and right sides of cooktop below countertop. Requires 18" minimum from countertop to adjacent overhead cabinets.*
 *AGA requirement.

Note: If installing with a GE Profile Telescopic Downdraft System, consult both cooktop and downdraft installation instructions packed with product before installing. Cooktop gas/electric supply may need to be re-routed to install downdraft.

Gas Connection Models JGP963/962/636/628



Gas Connection Models JGP933/932/336/328/326/320



Installation With Single Wall Oven Information:

30" Gas Cooktops are approved for use over GE 27" Wall Ovens. 36" and 30" Gas Cooktops are approved for use over 30" Wall Ovens. Refer to cooktop and wall oven installation instructions packed with product for current dimensional data.

Optional Gas Range Wok Accessory (Available at additional cost)

JXWK = Wok accessory holder sits on top of maximum burner grate to hold a **round-bottom** wok. For use with JGP960/930/636/336 models only.

JXWK2 = Wok accessory holder sits on top of maximum burner grate to hold a **round-bottom** wok. For use with JGP963/933/962/932 models only.

Integrated Downdraft Gas Cooktop

	GE Profile
	JGP656WB JGP656BB
Features	
Cooktop burners	Sealed
Electronic pilotless ignition	●
Tempered glass cooktop	White Black
Burner grates	2
Downdraft exhaust (CFM)	350
Optional blower mount capabilities	●
3-1/4" x 10" rectangular duct	●
6" round duct	●
Upfront variable-speed fan control	●
Removable grease filters	●
Appearance	
Color appearance*	WW BB
Upfront controls	●
Telescopic cover plate	White Black
Telescopic snorkel assembly	Black
Weights & Dimensions	
Cooktop width (in inches)	36
Overall dimensions (WxD in inches)	36 x 22-1/4
Approx. shipping weight (lbs.)	48
Power/Ratings	
Gas cooktop electrical rating	120V, 60Hz, 15A
Burners (000's/BTU's):	(1) 12.0/11.0
Natural Gas/LP Gas	(2) 9.5/9.5 (1) 5.0/5.0

*WW = White on white, BB = Black on black.

IMPORTANT: Cooktop is shipped separately. JXBA56BB or JXBA56WW (motor, blower and downdraft housing assembly required. Must be ordered with cooktop.)

JXLP56 LP Conversion Kit. LP orifices for LP conversion. Factory set for natural gas.

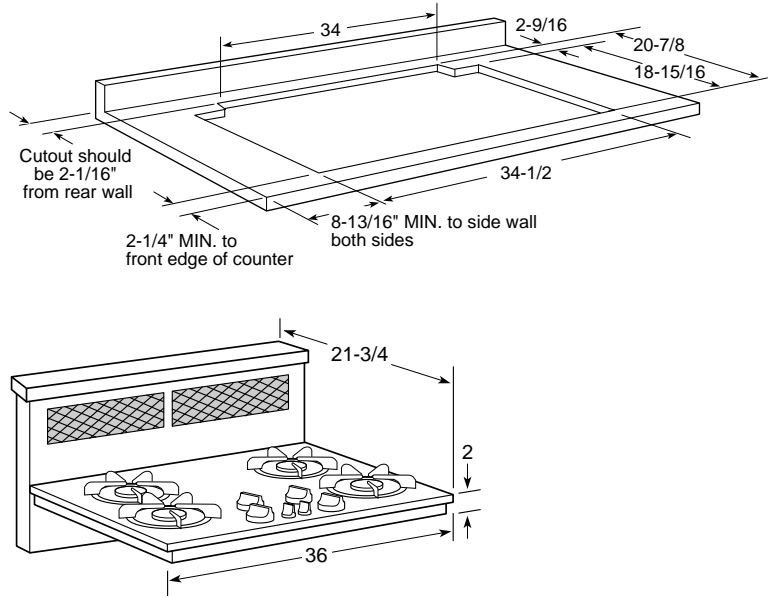
JXBC57 Outdoor Cover. Optional accessory may be ordered for installation of motor and blower assembly on outside wall.

JXR857 Remote Installation Kit. Optional accessories may be ordered for installation below the floor.

A minimum 36" side-to-side undercounter clearance is required for ease of installation.

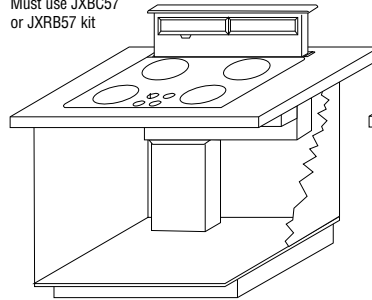
Unit is furnished with a 4-foot, 110V electric cord.

Downdraft Gas Cooktops Dimensions (in inches)

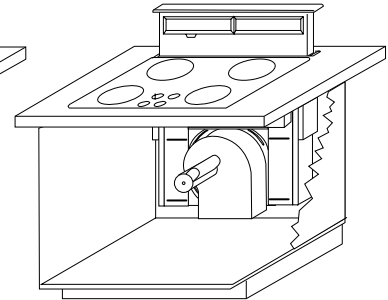


Venting Options (Through the Floor)

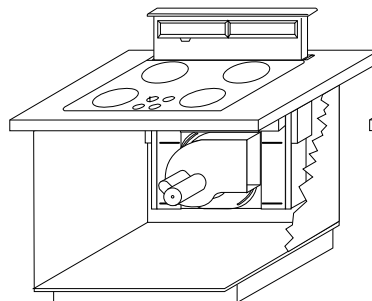
Must use JXBC57 or JXR857 kit



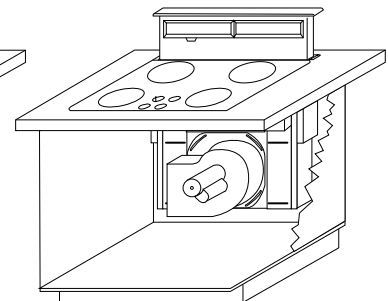
In Cabinet Discharge (Down)



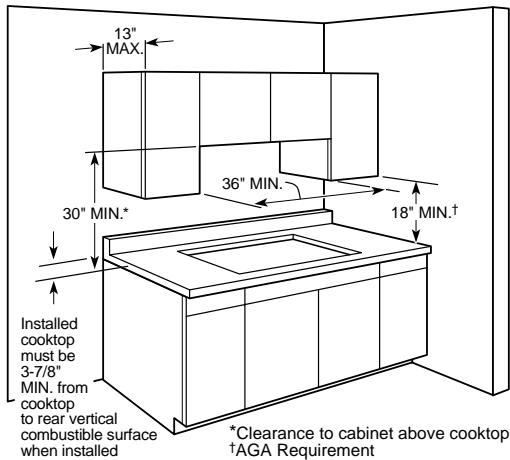
In Cabinet Discharge (Right)



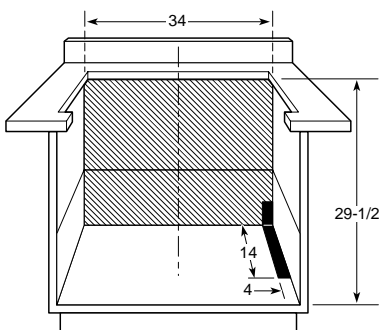
In Cabinet Discharge (Left)



Cabinet Requirements Dimensions (in inches)



Gas and Electrical Supply Location Dimensions (in inches)



Gas and Electrical Supply Location

The gas supply pipe and the electrical supply receptacle entering the cabinet should not be positioned as shown in the shaded areas. The cooktop is equipped with a 4' power supply cord and should reach any desired location on cabinet walls.

Installation Information: Before installing, consult installation instructions packed with product for current dimensional data.

Select-Top™ Modular Downdraft Cooktops and Patio Grill

	Dual Modular	Single Modular	Patio Grill
	JP389WD JP389BD	JP385WD JP385BD	JP380BV
Features			
Configuration	Dual Modular	Single Modular	Outdoor Grill
Cooktop finish	White Porc.-Enam. Black Porc.-Enam.	White Porc.-Enam. Black Porc.-Enam.	Black Porcelain-Enameled
Infinite heat controls	Rotary	Rotary	Rotary
Heating element "ON" indicator light	●	●	●
Downdraft exhaust (CFM)	400	400	375
Single-speed downdraft vent fan		●	●
Three-speed downdraft vent fan	●		
Fixed plug-in coil elements		One 6", One 8"	Fixed Grill (each side)
Removable one-piece drip bowls/trim rings		Chrome Black Porc.-Enam.	Chrome
Appearance			
Color appearance*	WW BB	WW BB	BB
Weights & Dimensions			
Cooktop width (in inches)	30	30	30
Approx. shipping weight (lbs.)	72	75	68
Power/Ratings			
Amps @ 240V	40	40	40
KW rating @ 240V	8.0	8.0	5.6
Accessories			
Ribbon heating elements (one 8" and one 6")	JXDR50VW JXDR50VB	JXDR50VW JXDR50VB	
Coil heating elements (one 6", one 8" element with removable one-piece bowls)	JXDC44RWH JXDC43RBL	JXDC44RWH JXDC43RBL	
Grill Module†	JXDL44N	JXDL44N	
Griddle Accessory	JXDD44R	JXDD44R	
Grill Cover	JXDM3 JXDM2	JXDM3 JXDM2	JXDM4

*WW = White on white, BB = Black on black.

†Grill Module includes coil heating element, one-piece grill grate, and porcelain reflector pan.

Cooktop Options

GE lets you customize your cooktop with flexible modules to suit your taste. These optional versatile modules—*Grill, Coil, Ribbon, Griddle Opening Accessory and Grill Cover*—are available at additional cost. Simply plug the modules you want into either side of the cooktop (single modular cooktops accept modules on left side only) and unplug them for easy cleaning and storage.

Grill Module, JXDL44N

Includes front/rear controlled heating element, one-piece grill grate, and porcelain-enameled reflector pan.

Grill Cover (For model JP380 patio grill only.)

Covers grill area when not in use
JXDM3—White on white, JXDM2—Black on black, JXDM4—Black on black

Griddle Accessory, JXDD44R (Use with optional Grill Module.)

Place over heating element and reflector pan from optional grill module. Griddle accessory has a non-stick coating and is self-draining.

Ribbon Modules

Patterned glass top with one 8" and one 6" ribbon heating element
JXDR50VW—White on white, JXDR50VB—Black on black

Coil Modules

One 8" and one 6" plug-in heating element with one-piece bowls
JXDC43RBL—Black porcelain-enameled, JXDC44RWH—White porcelain-enameled

JXCK89 Electrical Connection Kit

Optional accessory kit for JP385 and JP389 downdraft cooktop only, includes junction box and conduit.

Wall Installation

Wall installations require 25" countertop depth. When cabinet is flush against the wall, the fan housing can be rotated to the horizontal position for direct venting through rear wall. Make a countertop cutout that is centered in the range cabinet according to unit dimensions and installation type. Duct hole is positioned in back of cabinet for through-the-wall ducting.

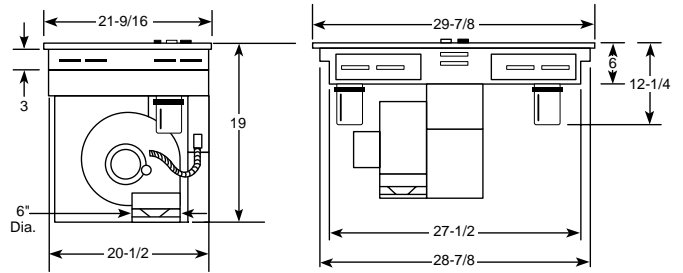
Peninsula or Island Installation

For peninsula/islands a minimum 26" countertop depth is suggested. Blower should be in vertical position. Island or peninsula cabinets may require adjustment in cutout depth and/or location within the width dimensions. Duct hole is positioned in bottom of cabinet for island or peninsula installation.

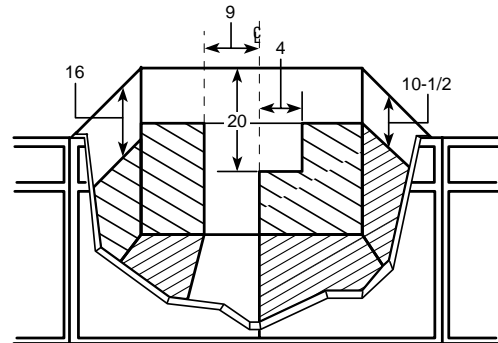
Slab Installation

For peninsula or island installation and rear wall ducting, **PVC duct or locally approved piping should be used if installing under a poured concrete slab.**

Built-In Downdraft Cooktops Dimensions (in inches)

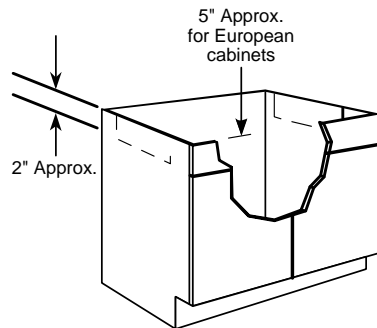


Cabinet Dimensions (in inches)



Receptacle Location

Install an approved junction box within shaded area shown in diagram. Junction box must be at least 10-1/2" below top of cabinet.

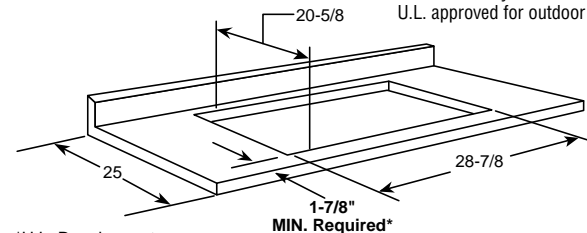


Preparing the Cabinet for Installation

In some cabinets, the sides may need to be scooped or cut down 2" as shown (right) and the corner braces removed in order to accommodate the cooktop.

Cutout Dimensions (in inches)

Note: These cooktops are U.L. approved for indoor use only. Model JP380BV is U.L. approved for outdoor use only.

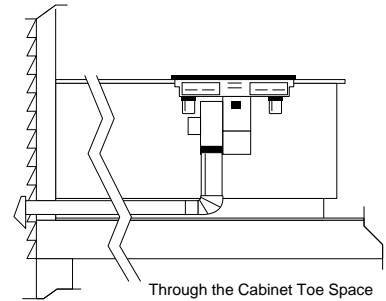
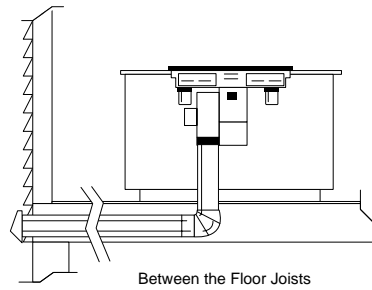
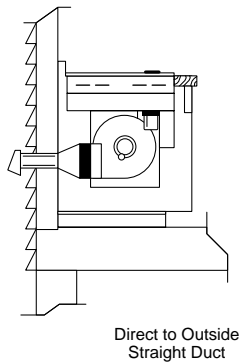
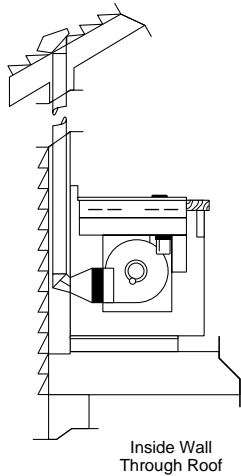


*U.L. Requirement.

Note: A 6" minimum spacing to adjacent side wall is required

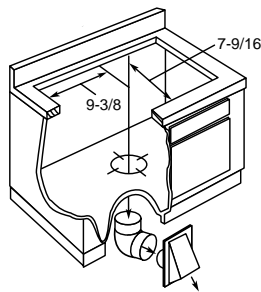
Installation Information: Before installing, consult installation instructions packed with product for current dimensional data.

Venting Options

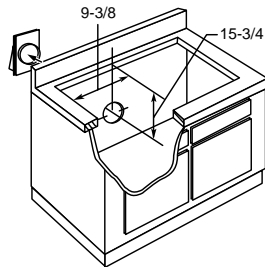


Note: Ductwork must be vented to outside. Do not vent into a wall, ceiling, crawl space, attic or any concealed space. Always use an appropriate roof or wall cap with damper. **Laundry-type wall caps should never be used.** For maximum efficiency use the shortest and straightest duct run possible, with as few fittings as possible. For satisfactory performance the duct run should not exceed 100 feet equivalent length. Refer to the table of equivalent lengths (shown in Pub. No. 49-8552) for various duct configurations.

Downward Venting (in inches)



Rear Wall Venting (in inches)



Installing the Ductwork

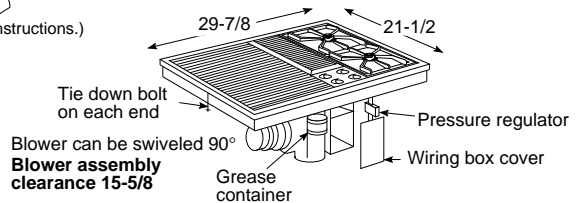
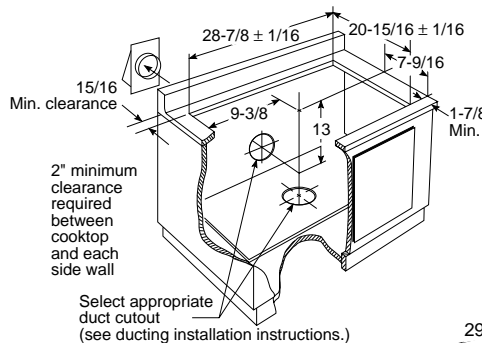
Use minimum 26-gauge galvanized or 24-gauge aluminum duct in 6" round or 3-1/4" x 10" size, or combination of both. **PVC duct or locally approved piping should be used if installing under a poured concrete slab.**

Built-In Downdraft Gas Modular Cooktops

	GE Profile™
	JGP389WEV JGP389BEV
Features	
Configuration	Single Modular
Accepts modules	Left Side
Fixed gas cooktop burners (right side)	Standard
Electronic pilotless ignition	●
Downdraft vent fan	●
Downdraft exhaust (CFM)	375
Appearance	
Color appearance	White on white Black on black
Up-front controls	●
Weight & Dimensions	
Cooktop width (in inches)	30
Overall dimensions (W x D in inches)	29-7/8 x 21-1/2
Approx. shipping weight (lbs.)	58
Power/Ratings	
Gas cooktop electrical rating	120V, 60Hz, 15A
BTU's (000's)	Right side (burners) 10.0/9.0
Nat/LP	Grill Unit 8.0/8.0

Note: Shipped with fixed standard gas burners, right side. Left side accepts optional modules that must be ordered and are available at additional cost.

Installation Information (in inches)



Optional Modules (Available at additional cost)

- Two-Burner Gas Module (standard burners)—
- JXGB89W—White on white
- JXGB89B—Black on black
- Gas Grill Module—JXGG89
- Griddle—JXGL89 (use with optional Grill module)
- Grill Cover—
- JXGC89W—White on white
- JXGC89B—Black on black

Installation Information: Before installing, consult installation instructions packed with product for current dimensional data.

30" Slide-In Electric Ranges

	GE Profile™			GE®		
	JS968SF JS968TF JS968KF JS968BF	JSP57WF JSP57CF JSP57BF	JSP47WF JSP47CF JSP47BF	JSP34WD JSP34CD JSP34BD	JSP26BD	JSS26BD JSS16PD
Features						
Self-clean oven w/Delay clean option	●	●	●	●	●	Standard Clean
Light self-clean option	●	●	●			
Variable cleaning time	●	●	●	●	●	
Automatic self-clean oven door lock	●	●	●	●	●	
Oven racks	3 Heavy-Duty	3	2	2	2	2
CleanDesign oven interior	●	●				
TrueTemp™ system	●	●	●			
Variable broil/Six-pass broil element	●	●	●			
Ceramic-glass cooktop	Patterned Black True White True Bisque Patterned Black	Patterned White Patterned Bisque Patterned Black	Patterned White Patterned Bisque Patterned Black			
Overhanging cooktop	●	●	●	●	●	●
Dual 6/9" heating element	1 Ribbon (2500W)	1 Ribbon (2500W)	1 Ribbon (2500W)			
8" heating elements			2 Ribbon (2000W)			
7" heating elements	2 Ribbon (1800W)	2 Ribbon (1800W)				
Bridge element	1 Ribbon (800W)	1 Ribbon (800W)				
Total wattage	4400W	4400W				
6" heating element	1 Ribbon (1500W)	1 Ribbon (1500W)	1 Ribbon (1500W)	2 Plug-In	2 Plug-In	2 Plug-In
Warming zone	1 Ribbon (120W)					
Infinite heat controls	●	●	●	●	●	●
Precise Air™ Convection System	●	●				
Convection bake	Multi/Single-rack	●				
Convection roast	●	●				
Auto Recipe™ Conversion	●	●				
SmartSet controls	Glass touch	●	●	●	●	
Proof mode	●					
Warm mode	●					
Oven meat probe	●					
Optional closed door broiling	●	●	●			
Temperature display	●	●	●	●	●	
Start pad	●	●	●	●	●	
Delay Bake option w/Cook & Hold	●	●	●	●	●	
C° or F° programmable	●	●	●	●	●	
Audible preheat signal	●	●	●	●	●	
Auto oven shut-off w/override	●	●	●	●	●	
Control lock capability	●	●	●	●	●	
Electronic clock/kitchen timer	●	●	●	●	●	●
Hot surface indicator lights	4	4	4			
Heating element "ON" indicator light	●	●	●	●	●	●
Certified Sabbath mode	●	●	●			
Interior oven light	Halogen	●	●	●	●	●
Storage drawer	Stainless White Bisque Black	White Bisque Black	White Bisque Black	White Bisque Black	CM*	Black CM*
Broiler pan with grid	●	●	●	●	●	●
Roasting rack	●	●				
Convection cookbook	●					
Appearance						
Color appearance*	SS WW CC BB	WW CC BB	WW CC BB	WW CC BB	WH/CT	BB WH/CT
Frameless glass oven door*	Stainless White Bisque Black	White Bisque Black	White Bisque Black	White Bisque Black	CM*	Black Painted
Oven door with window	Big ClearView™	Big ClearView™	Big ClearView™	●	●	●
Oven door handle	Sculptured Stainless Sculptured White Sculptured Bisque Sculptured Black	Sculptured White Sculptured Bisque Sculptured Black	Sculptured White Sculptured Bisque Sculptured Black	White Bisque Black	Black	Black Painted
Weights & Dimensions						
Overall oven interior dimensions (WxHxD in inches)	24 x 16-1/4 x 18-1/8	24 x 16-1/4 x 18-1/4	24 x 17-1/2 x 18-1/4	22-3/4 x 15-3/4 x 17	22-3/4 x 15-3/4 x 17	22-3/4 x 15-3/4 x 17
Approx. shipping weight (lbs.)	205	200	200	175	175	160
Power/Ratings						
KW rating @ 240V	12.1	12.0	11.6	10.8	10.8	10.8
208V	9.1	9.0	8.7	8.1	8.1	8.1
Amps @ 240V	40	40	40	40	40	40
208V	40	40	40	40	40	40
Convection Wattage	2500	2500				
Broiler/Bake Wattage	3600/2700	3600/2700	3600/3400	3400/2585	3400/2585	3400/2585

*SS = Stainless steel, WW = White on white, CC = Bisque on bisque, BB = Black on black, WH = White, CT = Bisque, CM = Color-Matched indicates that the color of the oven door matches range cooktop and drawer face (either white or bisque).

Note: Cabinets installed adjacent to slide-in electric ranges must have an adhesion spec of at least a 194°F temperature rating.

Note: All 30" Slide-In Ranges conform to U.L. requirements for 0" spacing from range to adjacent walls below countertop. To reduce possibility of scorching the side walls above the countertop when no load is present on burners, it is recommended that a minimum 6" spacing from adjacent side wall be allowed for possible extended high-heat element operation.

Receptacle Locations: For all 30" Slide-In Ranges locally approved flexible service cord or conduit must be used because terminals are not accessible after range installation. See shaded area in drawing for location of electrical outlet box. Recommended outlet locations allow range to be installed directly against rear wall.

Installation Information: Before installing, consult installation instructions packed with product for current dimensional data.

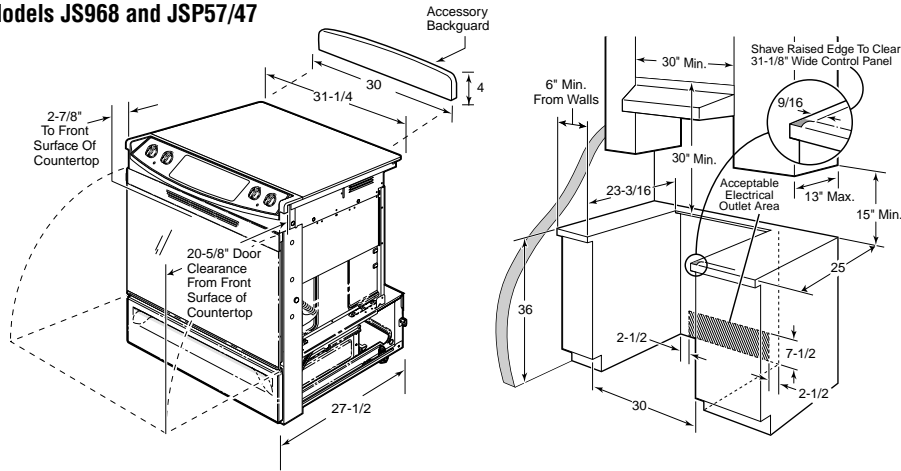


All GE ranges are equipped with an Anti-Tip device. The installation of this device is an important, required step in the installation of the range.



Listed by Underwriters Laboratories

30" Slide-In Range Dimensions (in inches)
Models JS968 and JSP57/47



Optional Kits for Slide-In Electric Ranges (Models JS968, JSP57 and JSP47)
 (Available at additional cost)

Accessory Backguards

(Attaches to the back of range as a backguard when unit is installed in 30" free-standing cutout)
 JXS39SS—Stainless
 JXS36WW—White
 JXS36CC—Bisque
 JXS36BB—Black

Body Sides

(Slide-in ranges are sold without sides installed. Can be installed on either left or right when unit has one exposed side [no cabinet adjacent]. Kit contains 1 body side)
 JXS76WW—White
 JXS76CC—Bisque
 JXS76BB—Black

Vertical Side Trim Kits

(If cabinet cutout width is more than 30", a vertical side trim kit may be used to close the gap between the range and cabinet)
 JXS86WW—White
 JXS86CC—Bisque
 JXS86BB—Black

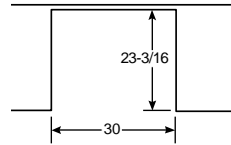
Optional Lower Trim Kits

(If counter height is greater than 36.5", a lower trim kit is recommended to extend the useful height to 38" maximum)
 JXS56WW—White
 JXS56CC—Bisque
 JXS56BB—Black

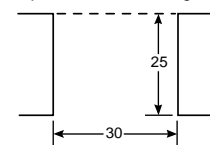
Optional Top Filler Kits

JXS66BB—Black
 JXS66CC—Bisque
 JXS66WW—White

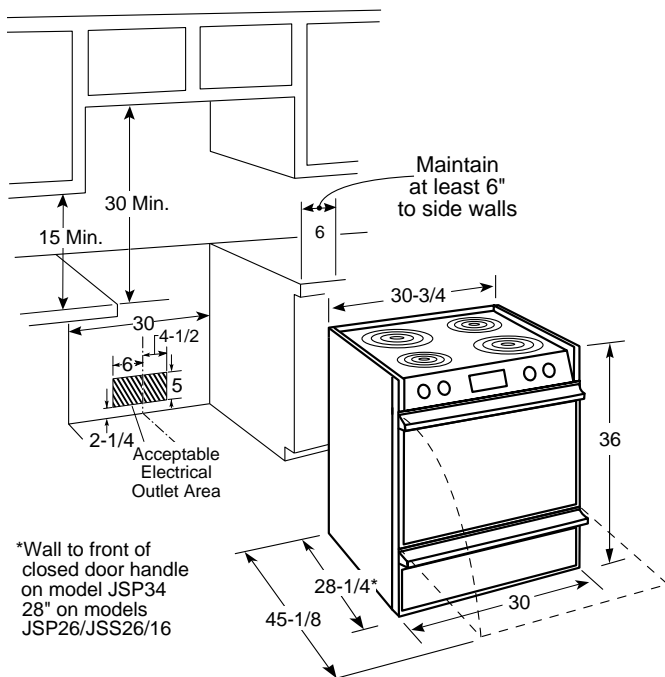
If you are NOT using the optional Filler or Backguard:



If you are using the optional Filler or Backguard:



30" Slide-In Range Dimensions (in inches)
Models JSP34/26 and JSS26/16



*Wall to front of closed door handle on model JSP34 28" on models JSP26/JSS26/16

Optional Kits for Slide-In Electric Ranges (Models JSP34/26 and JSS26/16)
 (Available at additional cost)

Rear Filler Strip Kit
 JXS28—Rear Filler Strip Kit (Brushed-chrome)

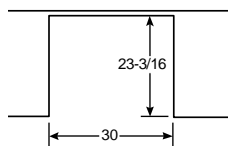
Accessory Backguards
 JXS31—White Accessory Backguard
 JXS32—Brushed-Chrome Accessory Backguard
 JXS34—Black Accessory Backguard
 JXS35—Bisque Accessory Backguard

Endcap Kit
 JXS40—Endcap kit to accommodate replacement where countertop may already be notched.

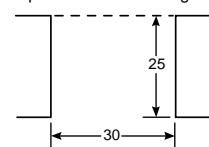
Lower/Side Trim Kits
 (If countertop height is greater than 37", it is recommended to use a lower trim kit.)
 JXS52BB—Lower trim (Black)
 JXS53WW—Lower trim (White)
 JXS55CC—Lower trim (Bisque)
 Pub. No. 3-A040—Vertical Side Trim Kit (Brushed-Chrome)

Models shown are shipped with rear filler strip kit.

If you are NOT using the optional Filler or Backguard:



If you are using the optional Filler or Backguard:



Note: Range may be placed with 0" clearance (flush) at the back wall and side walls if the range side trims extend beyond the cabinet fronts at least 1/4" (self-clean models only).

30" Slide-In Gas Ranges

Features	GE Profile™	GE®	
	JGSP44WEY JGSP44CEY JGSP44BEY	JGSP23WEY JGSP23BEY	JGSS05BEA
Self-clean oven with Delay Clean option	●	●	Extra-large Standard-clean
Variable cleaning time	●	●	
Automatic self-clean oven door lock	●	●	
Cooktop burners	Sealed	Sealed	Standard
Maximum output burner	●		
Standard simmer burner	●	●	
SmartSet controls	●	●	
Temperature display	●	●	
Start pad	●	●	
Delay Bake option with Cook & Hold	●	●	
C° or F° programmable	●	●	
Audible preheat signal	●	●	
Auto oven shut-off with override	●	●	
Electronic clock and kitchen timer	●	●	
Control lock capability	●	●	
Cooktop	White Glass Bisque Glass Black Glass	White Porcelain-Enameled Black Porcelain-Enameled	Black Porcelain-Enameled
Lift-up cooktop			●
One-piece drip pans	Porcelain-Enameled	Porcelain-Enameled	
Removable cooktop grates	Deluxe Cast	Standard Cast	Standard Porcelain Steel
Ignition system	Electronic	Electronic	Electronic
Oven racks	2	2	2
Broiler pan and grid	●	●	Extra-large
Interior oven light	●	●	●
Storage drawer	●	●	
In-oven broiling	●	●	
Slide-out broiler drawer			●
Appearance			
Color appearance*	WW CC BB	WW BB	BB
Frameless glass oven door	White Bisque Black	White Black	Black
Oven door with window	●	●	●
Lift-off oven door	●	●	●
Designer-style handle	Sure Grip	●	●
Weights & Dimensions			
Overall oven interior dimensions (WxHxD in inches)	22-3/4 x 13 x 17		24 x 17 x 19
Approx. shipping weight (lbs.)	197	192	165
Power/Ratings			
Gas range electrical rating	120V, 60Hz, 5A		
Top burners (000's BTU's) Nat/LP	(1) 12.0/9.4 (2) 9.5/7.0 (1) 5.0/4.0	(3) 9.5/7.0 (1) 5.0/4.0	(4) 9.0/8.0
Oven/broiler burners (000's BTU's) Nat/LP	16.0/16.0	16.0/16.0	16.0/16.0
Accessories			
Optional backguard (available at additional cost)	JXS31 JXS33 JXS34	JXS31 JXS34	

*WW = White on white, CC = Bisque on bisque, BB = Black on black.

Universal orifices for natural or LP gas. Factory set for natural gas. A set of LP orifices is included with each range for LP conversion.



Optional Kits for Slide-In Gas Ranges:

(Available at additional cost on all models except JGSS05BEA)

Rear Filler Strip Kits

Models JGSP44 and JGSP23 are shipped with required "vented" rear filler strip.

Lower/Side Trim Kits

JXS52BB—Lower Trim Kit (Black)
 JXS53WW—Lower Trim Kit (White)
 JXS55CC—Lower Trim Kit (Bisque)
 Pub. No. 3-A040 Vertical Side Trim Kit (Brushed-Chrome)

Accessory Backguards

JXS31—White Accessory Backguard
 JXS32—Brushed-Chrome Accessory Backguard
 JXS34—Black Accessory Backguard
 JXS35—Bisque Accessory Backguard

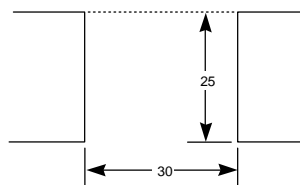
Endcap Kit

JXS40—Endcap kit to accommodate replacement where countertop may already be notched.

Optional Gas Range Wok Accessory (Available at additional cost)

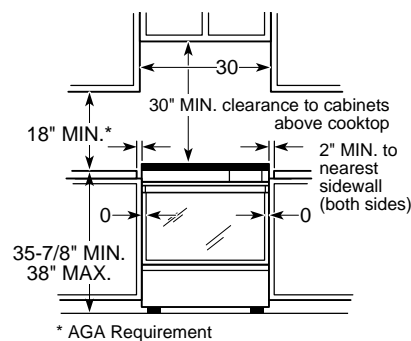
JXWK = Wok accessory holder sits on top of maximum burner grate to hold a round-bottom wok.

Counter Cutout Dimensions (in inches) Models JGSP44 and JGSP23



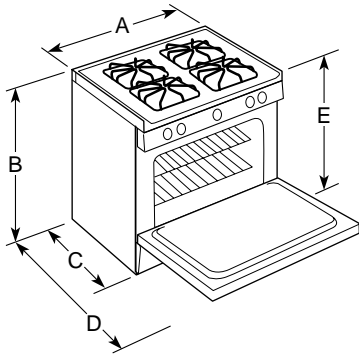
You must use the rear filler strip kit shipped with the range or the optional accessory backguard (JXS31, JXS32, JXS33, JXS34) when installing these ranges.

Note: Cabinets installed adjacent to slide-in ranges must have an adhesion spec of at least 194°F temperature rating.



Note: Models JGSP44WEY, JGSP44BEY, JGSP23WEY and JGSP23BEY are shipped with special "vented" rear filler strip. Post form countertops may not be used when installing this range. The filler strip (provided) or optional backguard kit is required for installation.

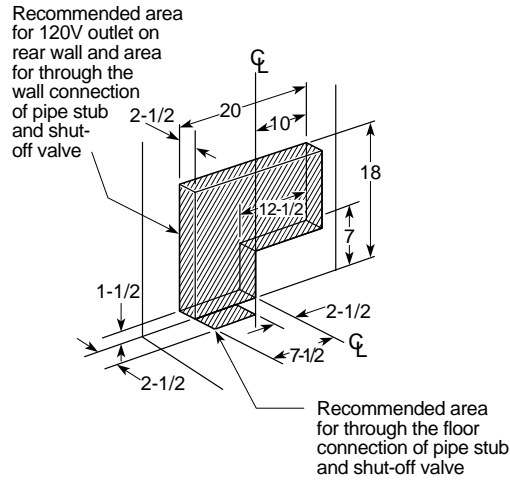
**30" Slide-In Gas Ranges Dimensions (in inches)
Models JGSP44 and JGSP23**



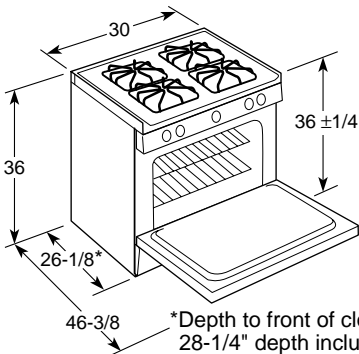
Dimensions (in inches)

Model	A*	B	C**	D	E
JGSP44	30	36-1/4	29-1/2	45-13/16	35-7/8 to 38
JGSP23	30	36-1/4	28-7/8	45-1/8	35-7/8 to 38

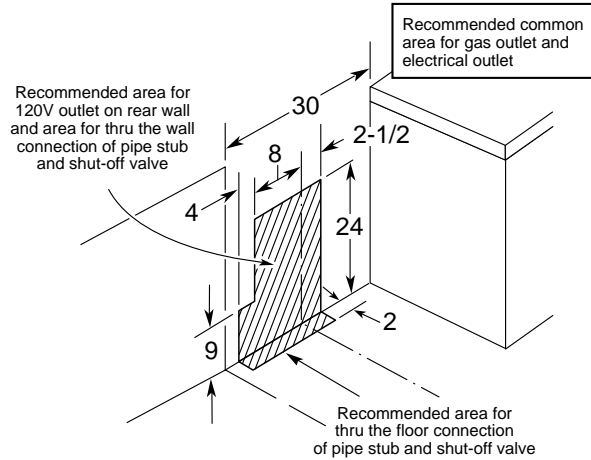
*Cooktop width including overhang 30-3/4".
**Depth including handle:
26-7/8"—Wall to front of closed oven door
26-1/2"—Depth to front top edge of cooktop



**30" Slide-In Gas Range Dimensions (in inches)
Model JGSS05**



*Depth to front of closed oven door
28-1/4" depth including handle
25-1/4" depth to front top edge of cooktop



Installation Information: Before installing, consult installation instructions packed with product for current dimensional data.

30" Drop-In Electric Ranges

Features	GE Profile™		GE®		
	JD968SF JD968TF JD968KF JD968BF	JDP47WF JDP47CF JDP47BF	JDP39WW JDP39BW	JDP36BW JDP36BD	JDS26BW JDS26BD
Self-clean oven w/Delay clean option	●	●	●	●	Standard-clean
Light self-clean option	●	●			
Variable cleaning time	●	●	●	●	
Automatic self-clean oven door lock	●	●	●	●	
Oven racks	3 Heavy-Duty	2	2	2	2
CleanDesign oven interior	●				
TrueTemp™ system	●	●			
Variable broil/Six-pass broil element	●	●			
Ceramic-glass cooktop	Patterned Black True White True Bisque Patterned Black	Patterned White Patterned Bisque Patterned Black			
Dual 6"/9" heating element	1 Ribbon (2500W)	1 Ribbon (2500W)			
8" heating elements		2 Ribbon (2000W)	2 Plug-In	2 Plug-In	2 Plug-In
7" heating elements	2 Ribbon (1800W)				
Bridge element	1 Ribbon (800W)				
Total wattage	4400W				
6" heating element	1 Ribbon (1500W)	1 Ribbon (1500W)	2 Plug-In	2 Plug-In	2 Plug-In
Warming zone	1 Ribbon (120W)				
Infinite heat controls	●	●	●	●	●
Precise Air™ convection system	●				
Multi-rack convection bake	●				
Single rack convection bake	●				
Convection roast	●				
Auto Recipe™ conversion	●				
SmartSet controls	Glass Touch	●	●	●	●
Proof mode	●				
Warm mode	●				
Oven meat probe	●				
Temperature display	●	●	●	●	●
Delay Bake option	●	●	●	●	●
C° or F° programmable	●	●	●	●	●
Audible preheat signal	●	●	●	●	●
Auto oven shut-off w/override	●	●	●	●	●
Control lock capability	●	●	●	●	●
Electronic clock/kitchen timer	●	●	●	●	●
Hot surface indicator lights	4	4			
Heating element "ON" indicator light	●	●	●	●	●
Certified Sabbath mode	●	●			
Interior oven light	Halogen	●	●	●	●
Broiler pan with grid	●	●	●	●	●
Roasting rack	●				
Appearance					
Color appearance*	SS WW CC BB	WW CC BB	WW BB	WH CT	WH CT
Frameless glass oven door*	Stainless White Bisque Black	White Bisque Black	White Black	Black	Black
Oven door with window	Big ClearView™	Big ClearView	●	●	●
Oven door handle	Sculptured Stainless Sculptured White Sculptured Bisque Sculptured Black	Sculptured White Sculptured Bisque Sculptured Black	White Black	Black	Black
Convection cookbook	●				
Weights & Dimensions					
Overall oven interior dimensions (WxHxD in inches)	24 x 16-1/4 x 18-1/4	24 x 17-1/2 x 18-1/4	22-3/4 x 15-3/4 x 17	22-3/4 x 15-3/4 x 17	22-3/4 x 15-3/4 x 17
Approx. shipping weight (lbs.)	175	170			
Power/Ratings					
KW rating @ 240V	12.1	11.6	11.6	11.6	11.6
208V	9.1	8.7	8.7	8.7	8.7
Amps @ 240V	40	40	40	40	40
208V	40	40	40	40	40
Convection Wattage	2500				
Broiler/Bake Wattage	3600/2700	3600/3400	3400/2585	3400/2585	3400/2585

*SS = Stainless steel, WW = White on white, CC = Bisque on bisque, BB = Black on black, WH = White, CT = Bisque.

Optional Kits For JD968/JDP47 Electric Ranges (Available At Additional Cost)

Maintop Filler

(Fills gap between cooktop and wall when unit is installed in 30" free-standing cutout)

JXS66WW—White

JXS66CC—Bisque

JXS66BB—Black

Accessory Backguards

(Attaches to the back of range as a backguard when unit is installed in 30" free-standing cutout)

JXS39SS—Stainless

JXS36WW—White

JXS36CC—Bisque

JXS36BB—Black

Lower Trim Kits

(When a drop-in is installed in an existing cutout greater than 27-1/4" from the counter to the cabinet cross-rail, a lower trim kit should be used to fill the gap at the bottom of the range)

JXS96WW—White

JXS96CC—Bisque

JXS96BB—Black

Note: Cabinets installed adjacent to drop-in electric ranges must have an adhesion spec of at least a 194°F temperature rating.

Note: All 30" Drop-In Radiant Ranges conform to U.L. requirements for 0" spacing from range to adjacent walls below countertop. To reduce possibility of scorching the side walls above the countertop when no load is present on burners, it is recommended that a minimum 6" spacing from adjacent side wall be allowed for possible extended high-heat element operation.

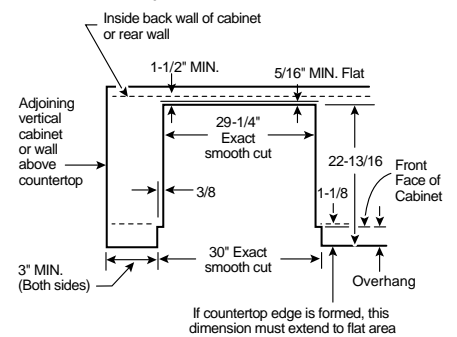
Installation Information: Before installing, consult installation instructions packed with product for current dimensional data.

IMPORTANT: 30" DROP-IN RANGES ARE DESIGNED TO HANG FROM THE COUNTERTOP. IT DOES NOT REST ON THE FLOOR. FOR INSTALLATION ALTERNATIVES, REFER TO INSTALLATION INSTRUCTIONS PACKED WITH PRODUCT.



All GE ranges are equipped with an Anti-Tip device. The installation of this device is an important, required step in the installation of the range.

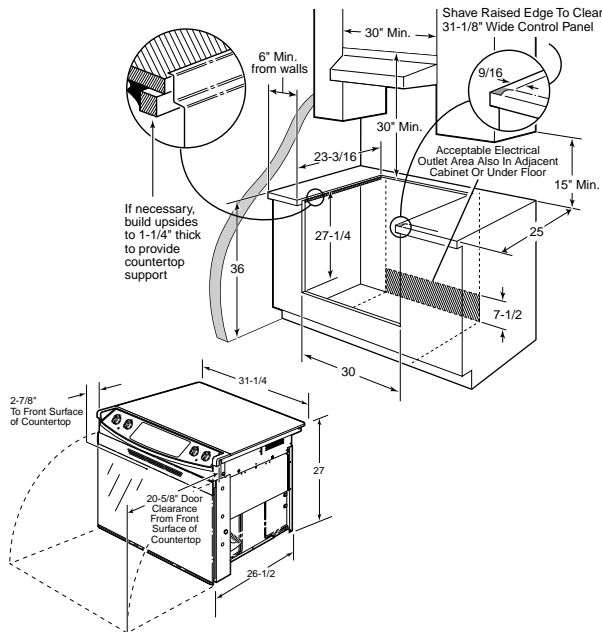
Countertop Cutout—Top View Models JDP39/36 and JDS26



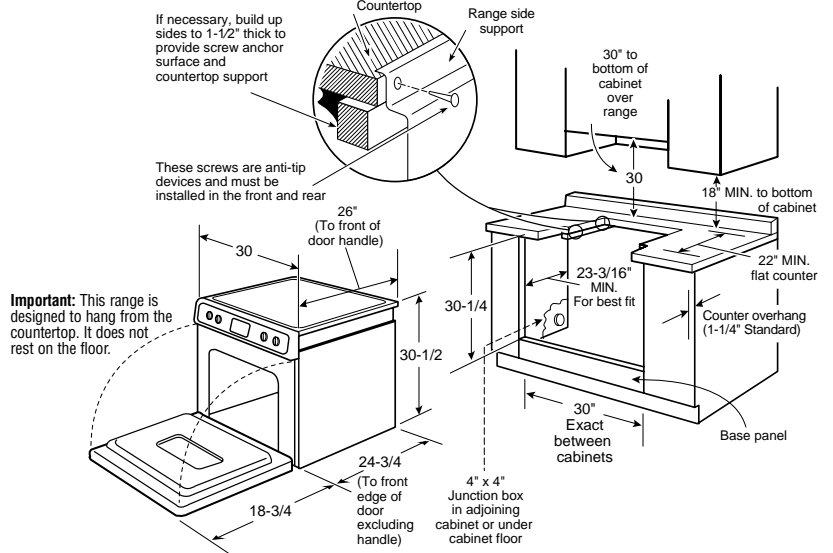
Drop-In ranges are not approved for installation with a plug and receptacle. They must be hard wired in accordance with installation instructions.



30" Drop-In Range Dimensions (in inches) Models JD968 and JDP47



30" Drop-In Range Dimensions (in inches) Models JDP39/36 and JDS26



Spacemaker™ 27" Drop-In Electric Ranges

	GE Profile™		GE®	
	JMP31WC	JMP28BC JMP28BD	JMP28BC JMP28BD	JMS08BD
Features				
Oven cleaning	Self-clean	Self-clean	Self-clean	Standard-clean
Variable cleaning time	●	●	●	
Automatic self-clean oven door lock	●	●	●	
Oven racks	2	2	2	2
Lift-up overhanging cooktop	White Porcelain-Enameled	White Porc.-Enam. Bisque Porc.-Enam.	White Porc.-Enam. Bisque Porc.-Enam.	White or Bisque Porcelain-Enameled
8" heating elements	1	1	1	1
6" heating elements	3	3	3	3
Plug-in Calrod® heating elements	●	●	●	●
Infinite heat controls	●	●	●	●
Removable one-piece drip bowls	Chrome	Chrome	Chrome	Chrome
Electronic clock and kitchen timer	●	●	●	●
Delay Bake option	●	●	●	●
Auto oven shut-off	●	●	●	●
Electronic oven control	●	●	●	●
Heating element "ON" indicator light	●	●	●	●
Interior oven light	●	●	●	●
Broiler pan with grid	●	●	●	●
Appearance				
Color appearance*	WW	WH CT	WH CT	WH/CT
Frameless oven door	White Glass	Black Glass	Black Glass	Black Glass
Oven door with window	Big View	Big View	Big View	Big View
Lift-off oven door	●	●	●	●
Designer-style handle	Sure Grip	●	●	●
Weights & Dimensions				
Overall oven interior dimensions (WxHxD in inches)	19 x 15 x 18			
Approx. shipping weight (lbs.)	119	119	119	119
Power/Ratings				
KW rating @ 240V	9.8	9.8	9.8	10.1
208V	7.3	7.3	7.3	7.6
Amps @ 240V	40	40	40	40
208V	40	40	40	40

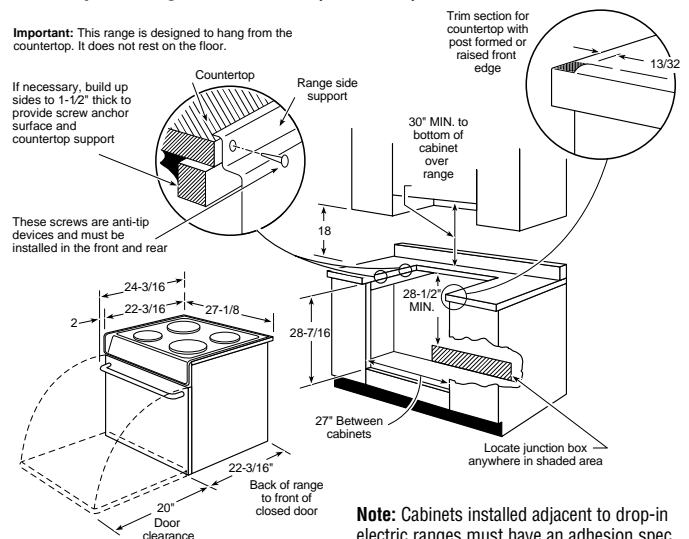
*WW = White on white, WH = White, CT = Bisque.

Optional Backguard
(Available at additional cost)
JX27RBK = Black
JX27RWH = White
JX27RAD = Almond

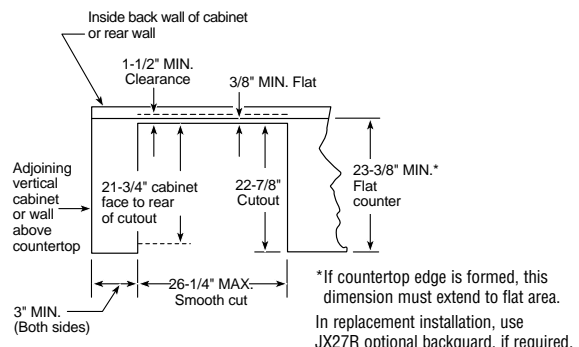
Note: All 27" Drop-In Electric Ranges conform to U.L. requirements for minimum spacing between range and side wall below countertop.

Installation Information: Before installing, consult installation instructions packed with product for current dimensional data.

27" Drop-In Range Dimensions (in inches)



Countertop Cutout—Top View



Slide-Out Hoods

	GE Profile™							
	JV960SC	JV930SC	JV696S	JV695S	JV694S	JV396S	JV395S	JV394S
Features								
Variable-speed fan control	●	●	●	●	●	●	●	●
Auto heat sensor	●	●	●	●	●	●	●	●
Vertical exhaust (CFM)	300	300	300	300	300	300	300	300
Sones rating: Top exhaust	4.5	4.5	4.5	4.5	4.5	4.5	4.5	4.5
Removable grease filter*	●	●	●	●	●	●	●	●
Filter size (sq. in.)	147	147	147	147	147	147	147	147
Cooktop light	●	●	●	●	●	●	●	●
3-1/4" x 10" rectangular duct	●	●	●	●	●	●	●	●
Appearance								
Color appearance**	BA	BA	CC	WW	BB	CC	WW	BB
Weights & Dimensions								
Width (in inches)	36	30	36	36	36	30	30	30
Approx. shipping weight (lbs.)	43	40	43	43	43	40	40	40
Power/Ratings								
Current rating Amps @ 120V	3.7	3.7	3.7	3.7	3.7	3.7	3.7	3.7

*Has washable one-piece smoke/grease filter.
 **WW = White on white, BB = Black on black, CC = Bisque on bisque, BA = Brushed Aluminum.

Note: These vented hoods include an installed damper.

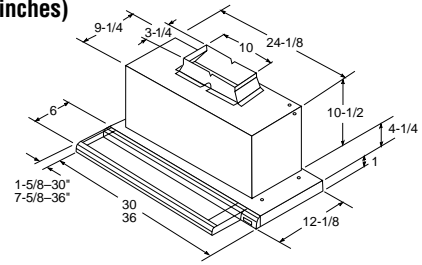
Note: The unit is ducted vertically. Horizontal ducting can be accomplished as shown.

Note: Remove glass visor from unit before installing hood in cabinet to protect visor from damage.

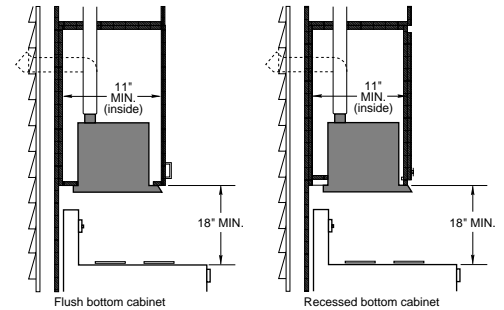
Installation Information: Before installing, consult Use & Care/installation instructions packed with product for current dimensional data.



Installation Information (in inches)



Dimensions (in inches)



Telescopic Downdraft Systems

	GE Profile	
	JVB96SA	JVB93SA
Features		
Variable-speed fan control	●	●
Downdraft exhaust (CFM)	500	500
3-1/4" x 10" rectangular duct	●	●
Removable grease filters	●	●
Appearance		
Color appearance	Stainless	Stainless
Weights & Dimensions		
Width (in inches)	36	30
Approx. shipping weight (lbs.)	62	60
Power/Ratings		
Current rating Amps @ 120V	4.0	4.0

Note: Approved for use with GE Profile and GE® electric and sealed burner gas cooktops.

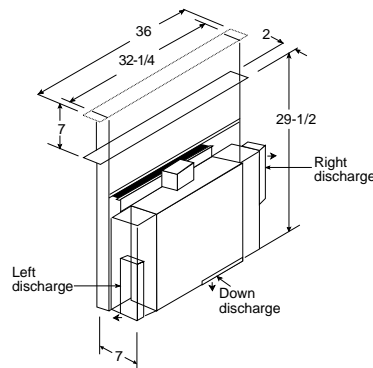
Note: Telescopic downdraft vents are not recommended to be installed with cooktops that are flush mounted.

Note: The countertop must be at least 26" deep with a flat surface area of 23-1/2" or more, front to back. In addition, other clearances to the front edge of the countertop must be considered.

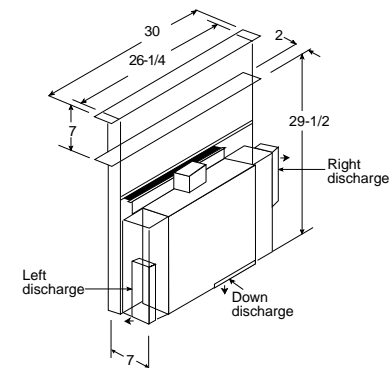
Installation Information: Before installing, consult installation instructions packed with product for current dimensional data.

Overall Dimensions (in inches)

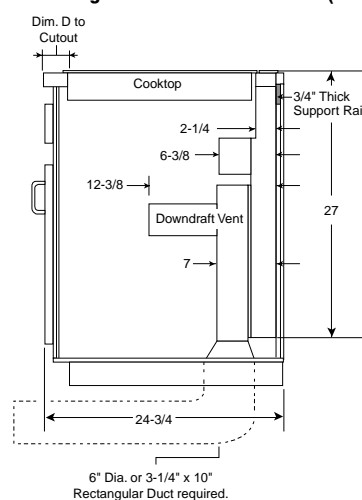
Model JVB96SA



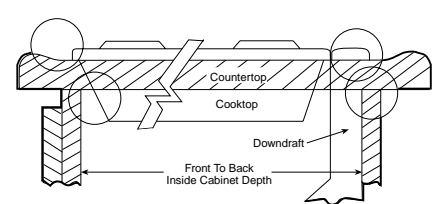
Model JVB93SA



Venting Island to Outside Wall (in inches)



Counter Cutout Information



Pay special attention to the four areas of potential interference circled above. 2" of **FLAT** countertop is needed behind rear edge of cooktop to accommodate downdraft vent cover.

Approved for use with the following GE cooktops—36" and 30" Calrod® models, 36" and 30" radiant models, 30" solid disk models, 36" and 30" gas sealed burner models and 36" and 30" induction models. **Not approved for use with standard burner gas cooktops.**

Note: Dimensions shown are for reference only. Before cutting out countertop, refer to instructions packed with **downdraft and cooktop.**

Note: Duct run not to exceed 100 equivalent feet.

Note: Installation in cabinets/countertops against the wall will not be possible in most applications.

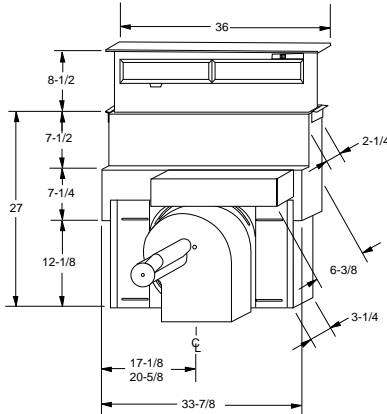
Telescopic Downdraft Systems

	GE Profile	
	JVB67AWW JVB67ACC JVB67ABB	JVB37AWW JVB37ACC JVB37ABB
Features		
Upfront variable-speed fan w/slide control	●	●
Separate remote raise/lower switch	●	
Downdraft exhaust (CFM)	350	350
Optional blower mount capabilities	●	●
3-1/4" x 10" rectangular duct	●	●
Minimum 6" round duct capability	●	●
Removable grease filters	●	●
Appearance		
Color appearance*	WW CC BB	WW CC BB
Cover plate	White Bisque Black	White Bisque Black
Telescopic snorkel assembly	Black	Black
Weights & Dimensions		
Width (in inches)	36	30
Approx. shipping weight (lbs.)	76	72
Power/Ratings		
Current rating Amps @ 120V	4.0	4.0

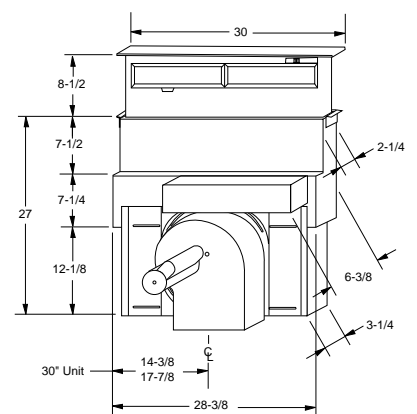
*WW = White on white, CC = Bisque on bisque, BB = Black on black.

Note: Approved for use with GE Profile and GE electric and sealed burner gas cooktops.

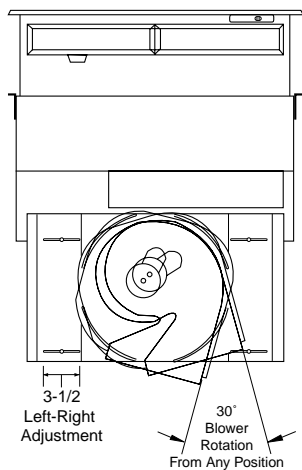
Overall Dimensions (in inches) Model JVB67



Model JVB37



Blower Position



Note: Telescopic downdraft vents are not recommended to be installed with cooktops that are flush mounted.

Approved for use with the following GE Profile and GE cooktops—36" and 30" electric models, 36" and 30" gas sealed burner models and 36" and 30" induction models.

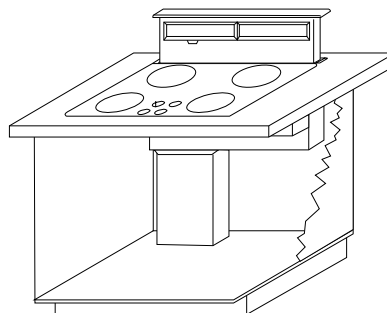
Not approved for use with standard burner gas cooktops.

Note: The countertop must be at least 26" deep with a flat surface area of 23-1/2" or more, front to back. In addition, other clearances to the front edge of the countertop must be considered.

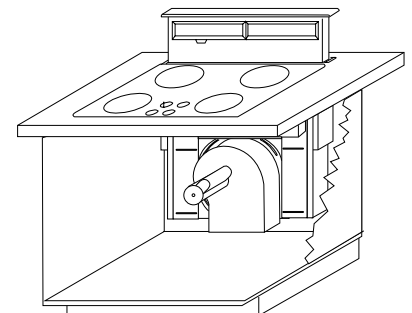
Note: Dimensions shown are for reference only. Before cutting out countertop, refer to instructions packed with **downdraft and cooktop**.

Note: Installation in cabinets/countertops against the wall will not be possible in most applications. Against the wall installations are limited to dimension requirements. Refer to installation instructions packed with product for further details.

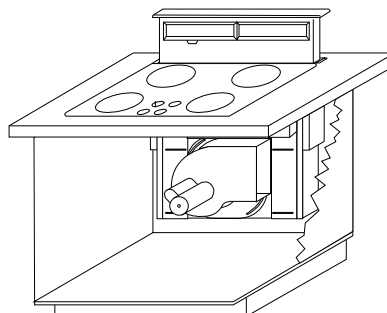
Venting Options (Through the Floor)



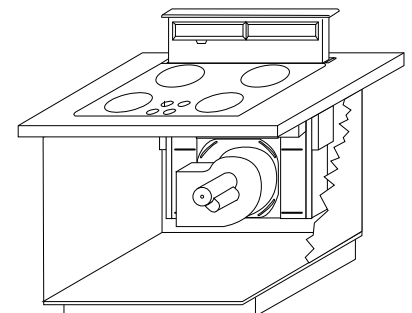
In Cabinet Discharge (Down)



In Cabinet Discharge (Right)



In Cabinet Discharge (Left)



JXBC57 Outdoor Cover. Optional accessory may be ordered for installation of motor and blower assembly on outside wall.

JXRB57 Indoor Remote Accessory. Optional accessory may be ordered for installation of motor and blower assembly in an indoor remote location.

36" and 30" Designer Hoods

	GE Profile™			
	JV966D	JV965D	JV936D	JV935D
General				
Width	36"	36"	30"	30"
Height	18"	18"	18"	18"
Features				
Ducting	Vertical Only	Vertical Only	Vertical Only	Vertical Only
Duct size	7" round	7" round	7" round	7" round
CFM rating	600	600	600	600
Sones rating	7	7	7	7
Filters	●	●	●	●
Filter cleaning	Dishwasher-Safe	Dishwasher-Safe	Dishwasher-Safe	Dishwasher-Safe
Lighting	Dual Halogen	Dual Halogen	Dual Halogen	Dual Halogen
Control type	Manual	Manual	Manual	Manual
Control location	Hidden	Hidden	Hidden	Hidden
Four-speed fan control	●	●	●	●
Light settings	Off/High/Night	Off/High/Night	Off/High/Night	Off/High/Night
Blower/light switch color	Black	Black/White/Bisque	Black	Black/White/Bisque
Appearance				
Color appearance*	SS	WW/CC/BB	SS	WW/CC/BB
Weights & Dimensions				
Approx. shipping weight (lbs.)	77	77	68	68
Power/Ratings				
Current rating Amps @ 120V	3.9	3.9	3.9	3.9
Accessories/Kits				
Baffle filter kit	●	●	●	●
Optional chimney kit	●	●	●	●

*SS = Stainless steel, WW = White on white, CC = Bisque on bisque, BB = Black on black.

Optional Kits for 36" Designer Hoods

JXBF36SS—36" Commercial Filter
 JXCHSS—Stainless Chimney Kit
 JXCHWW—White Chimney Kit
 JXCHCC—Bisque Chimney Kit
 JXCHBB—Black Chimney Kit
 JXDW1—7" round to 3-1/4" x 10" rectangular duct transition for rear wall discharge.

Optional Kits for 30" Designer Hoods

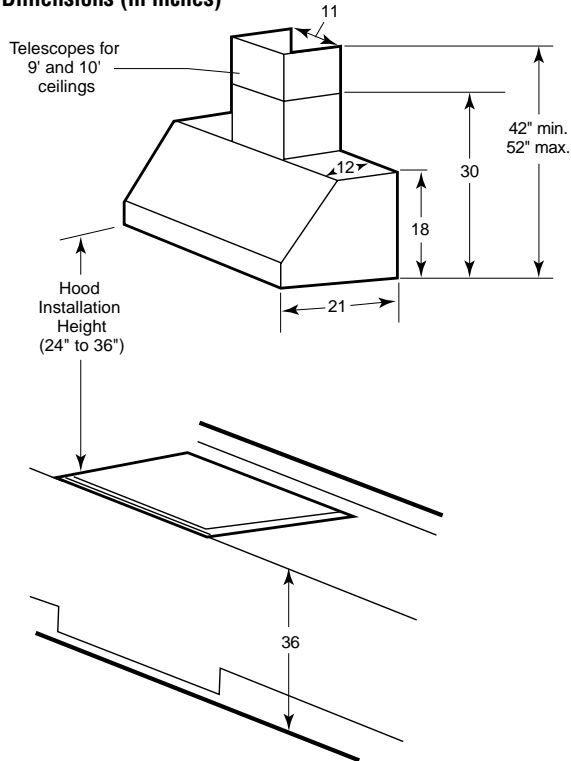
JXBF30SS—30" Commercial Filter
 JXCHSS—Stainless Chimney Kit
 JXCHWW—White Chimney Kit
 JXCHCC—Bisque Chimney Kit
 JXCHBB—Black Chimney Kit
 JXDW1—7" round to 3-1/4" x 10" rectangular duct transition for rear wall discharge.



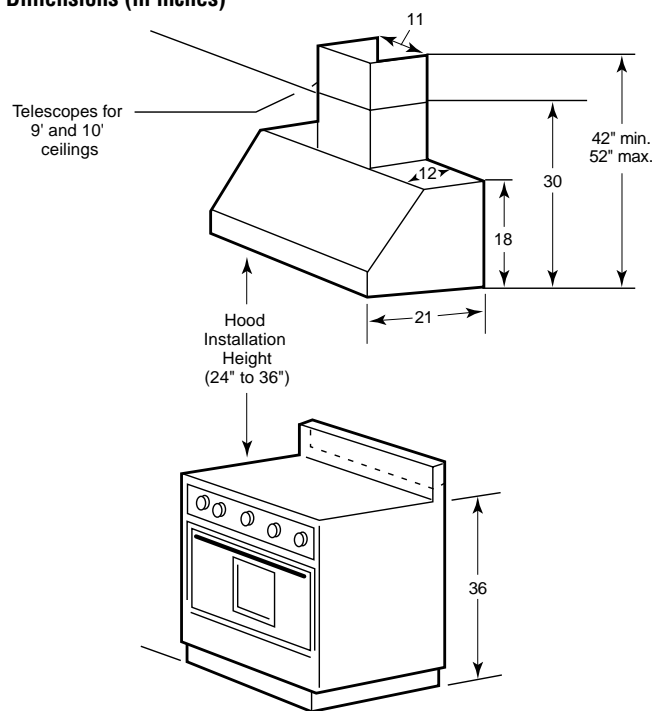
Listed by Underwriters Laboratories

Installation Information: Before installing, consult installation instructions packed with product for current dimensional data.

Installed Above a Cooktop (Shown with Optional Chimney Kit) Dimensions (in inches)



Installed Above a Range (Shown with Optional Chimney Kit) Dimensions (in inches)



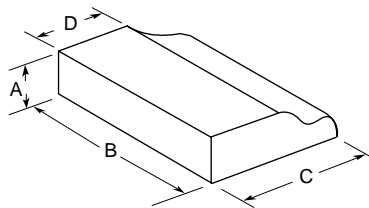
Hoods

	GE Profile						GE				
	Width	High-Performance				Performance		Deluxe	Standard		
		30"	JV666C	JV665C	JV636C	JV635C	JV536C	JV535C	JV347X	JV327X	JV337X
	36"					JV566C	JV565C				
Features											
Two-speed fan control					•	•		•	•	•	
Three-speed fan control	With boost	With boost	With boost	With boost				•			
Vertical exhaust (CFM)	350	350	350	350	190	190	180	160	160	160	
Rear exhaust (CFM)	400	400	400	400	200	200	160			150	
Damper included (rectangular)	•	•	•	•	•	•	•			•	
Optional damper accessory (round)	JXDA23	JXDA23	JXDA23	JXDA23	JXDA23	JXDA23	JXDA22	JXDA22	JXDA22		
Sones rating:											
Top exhaust	4.0/7.0*	4.0/7.0*	4.0/7.0*	4.0/7.0*	4.0	4.0	8.0	8.0	8.0	8.0	
Rear exhaust	4.0/7.0*	4.0/7.0*	4.0/7.7*	4.0/7.7*	4.0	4.0	8.0			8.0	
Removable grease filters	2 [†]	2 [†]	2 [†]	2 [†]	2 ^{††}	2 ^{††}	Disposable 1-Pc. Filter ^{†††}	1 ^{†††}	1 ^{†††}	1 ^{†††}	Disposable 1-Pc. Filter ^{†††}
Filter size (sq. in.)	207	207	171	171	171/207	171/207	90	90	90	90	90
Cooktop light(s)**	2 Halogen (50 watts)	2 Halogen (50 watts)	2 Halogen (50 watts)	2 Halogen (50 watts)	2 Halogen (50 watts)	2 Halogen (50 watts)	1	1	1	1	
Night light position on light switch	•	•	•	•	•	•	•				
3-1/4" x 10" rectangular duct	•	•	•	•	•	•	Option			•	
7" round duct	•	•	•	•	•	•	Option	•			
Non-vented							Option				•
Silverstone underside coating	•	•	•	•							
Appearance											
Color appearance***	SS	WW/BB	SS	WW/BB	SS	WW/CC/BB	WW/CC/AA/BB	W/C/A	W/C/A	W/C/A	W/C/A
Weights & Dimensions											
Approx. shipping weight (lbs.)	35	35	30	30	30	30	20	14	17	19	
Power/Ratings											
Current rating amps @ 120V	2.5	2.5	2.5	2.5	1.4	1.4	2.5	2.5	2.5	2.5	2.5

*Top exhaust sones rating when in boost mode.
 **Light bulbs not furnished.
 ***SS = Stainless steel, WW = White on white, CC = Bisque on bisque, AA = Almond on almond, BB = Black on black, W = White, C = Bisque, A = Almond.
[†]WB02X10713 (30") or WB02X10710 (36") removable grease filter is available for additional cost. Call toll free 800.626.2002. (Models JV666/665 and JV636/635)
^{††}WB02X10709 (30") or WB02X10706 (36") removable grease filter and WB02X10707 (30") or WB02X10708 (36") removable charcoal filter are available for additional cost. Call toll free 800.626.2002. (Models JV566/565 and JV536/535)
^{†††}WB02X9381 replacement grease filter and WB02X10700 replacement charcoal filter are available for additional cost. Call toll free 800.626.2002. (Models JV347/327/337 and JN327)

Dimensions (in inches)

Model	A	B	C	D
JV666/JV665	7-1/4	35-7/8	20	12
JV636/JV635	7-1/4	29-7/8	20	12
JV536/JV535	7-1/4	29-7/8	20	12
JV566/JV565	7-1/4	35-7/8	20	12
JV347	5-1/2	29-7/8	17-1/2	12
JV337	5-1/2	29-7/8	17-1/2	12
JV327	5-1/2	29-7/8	17-1/2	12
JN327	5-1/2	29-7/8	17-1/2	12



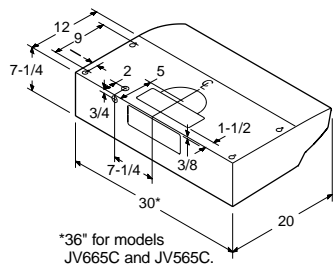
JXHC1 Cord Kit

Allows a receptacle in the cabinet over the range to accommodate either an over-the-range microwave oven or a standard hood.

Hood Dimensions (in inches)

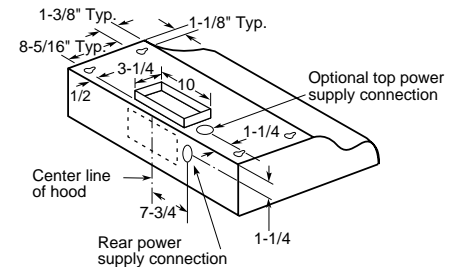
1 Models JV666C, JV665C, JV636C, JV635C, JV536C, JV566C and JV565C

Exhaust outlet connects to 3-1/4" x 10" duct (vertically or horizontally) and 7" round (vertically). Includes rectangular damper and 7" round damper adapter. Round damper accessory, JXDA23 available at additional cost.



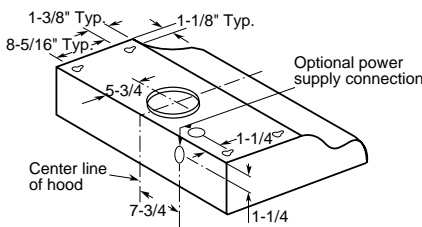
2 Models JV347X* and JV337X

*JV347X—Refer to this drawing for rectangular exhaust option. Refer to drawing 3 for round exhaust option. Exhaust outlet connects to 3-1/4" x 10" rectangular duct. Vent top or rear. Includes rectangular damper.

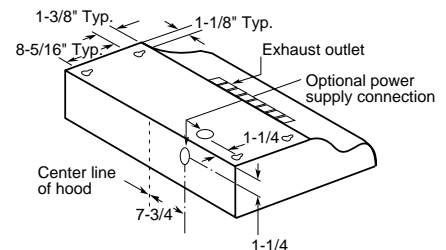


3 Models JV347X* and JV327X

*JV347X—Refer to this drawing for round exhaust option. Refer to drawing 2 for rectangular exhaust option. Exhaust outlet connects to 7" diameter duct. Vent top only. Round damper accessory, JXDA22, available at additional cost.



4 Model JN327X



Installation Information: Before installing, consult installation instructions packed with product for current dimensional data.

Answers that click!
GE puts everything you need at your fingertips.



GE Appliances web site — 16 million visitors a year!
Visit us at GEAppliances.com

Everything you need to know about GE products is here. Access up-to-date information, find out "what's new," obtain dimensions, get installation tips and more. Extremely user-friendly, this one-stop site lets you research by brand, category or model number and even buy online through a local GE dealer.

GE Answer Center® saves you time.
800.626.2000

This 24-hour-a-day, 7-day-a-week service provides answers on product features, installation, service and more.



GE Appliances

General Electric Company
Louisville, Kentucky 40225
GEAppliances.com

GE has a policy of continuous improvement of its products and reserves the right to change materials and specifications without notice.

© 2002 General Electric Company
Pub. No. 3-S262 PC33454