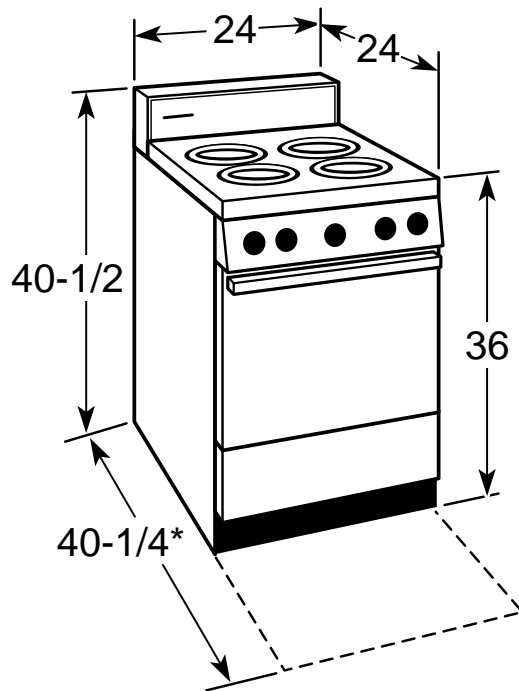


# HOTPOINT

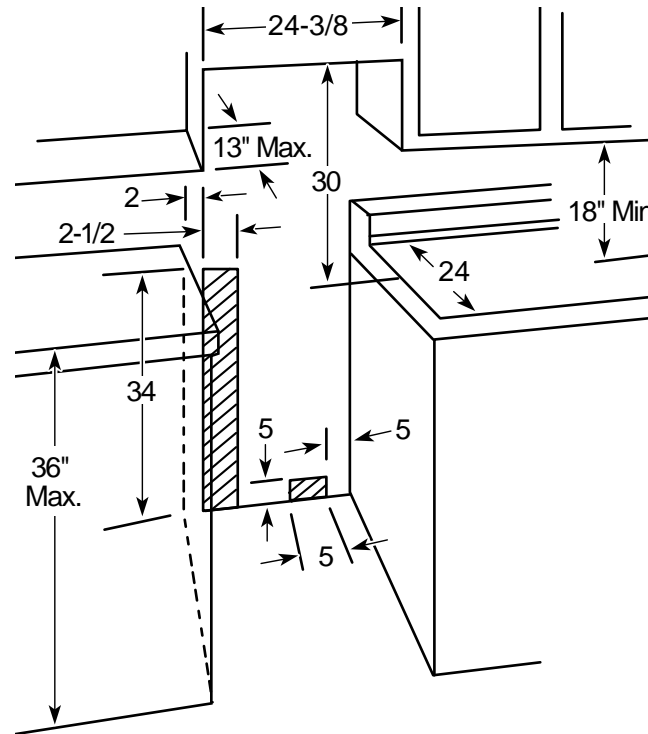
## RA524W—24" Free-Standing Electric Range

Dimensions (in inches)



\*Depth including up-front angled control panel

Cabinet and Cutout Dimensions (in inches)



KW Rating	
240V	8.2
208V	6.2

**Note:** 24" Ranges conform to U.L. requirements for 0" spacing from range to adjacent walls below countertop. To reduce possibility of scorching of the side wall adjacent to the heating elements, it is recommended a 2" spacing from adjacent side walls be allowed for possible extended high-heat, no-load heating element operation.

**Receptacle Location:** So that range can be installed flush against rear wall, receptacle should be located within either shaded areas. Range requires pigtail.

**Installation Information:** Before installing, consult installation instructions packed with product for current dimensional data.

For answers to your GE Monogram™, GE Profile™, GE, Hotpoint and RCA appliance questions, call GE Answer Center® service, 800.626.2000.



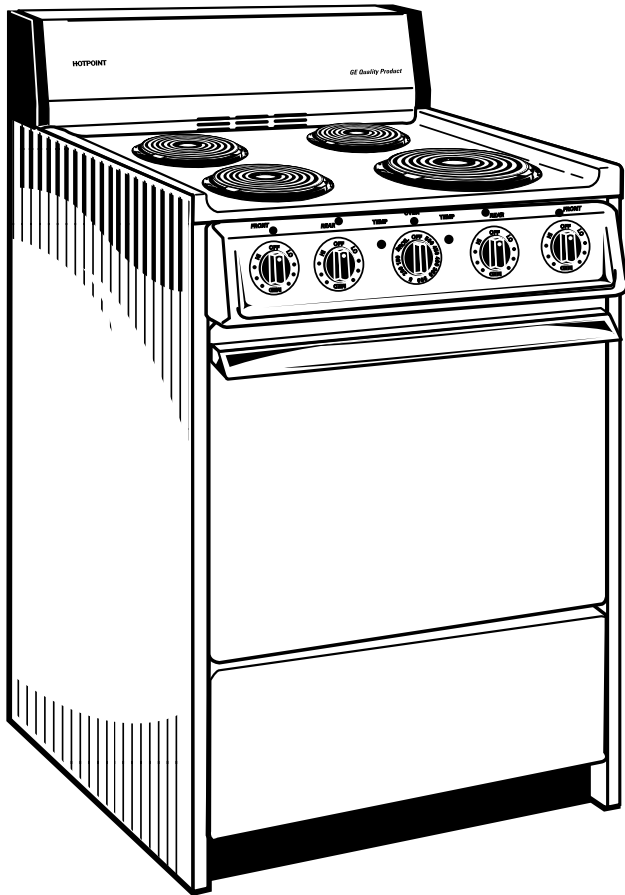
All GE ranges are equipped with an Anti-Tip device. The installation of this device is an important, required step in the installation of the range.



Listed by Underwriters Laboratories

# HOTPOINT

## RA524W—24" Free-Standing Electric Range



### Features and Benefits

- Available in White or Almond
- Standard Clean Oven
- One 8" and Three 6" Plug-In Heating Elements With Chrome Drip Bowls
- Removable Drip Bowls
- Recessed Lift-Up Cooktop With Porcelain-Enameled Subtop
- Two Heating Element "On" Indicator Lights
- 2 Oven Shelves
- Broiler Pan With Grid
- Push-To-Turn Controls
- Solid Color-Matched Porcelain-Enameled Oven Door