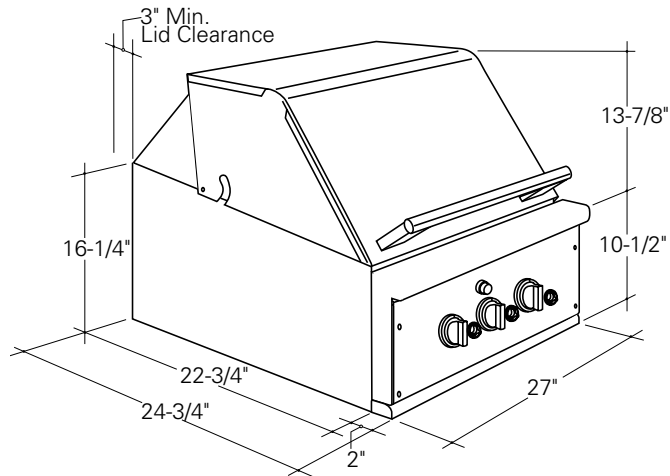




Monogram®

ZGG27N20CSS (Natural Gas) – GE Monogram 27" Outdoor Cooking Center ZGG27L20CSS (Liquid Propane)

Dimensions and Specifications (in inches)



27" Liquid Propane Gas Model:

2 Grill Burners, 1 Infrared Burner

- Monogram Outdoor Cooking Centers are designed to be installed on a grill cart or into an enclosure.
- **These cooking centers are designed for outdoor use only.** Do not locate the grill in a building, garage or other enclosed area.
- Ensure that fresh air ventilation is adequate.
- Consider exposure to wind and proximity to traffic paths.
- The minimum clearances to combustibles must be maintained at all times.
- Do not install a grill below overhead unprotected combustible construction.
- The installation must conform to local codes or in the absence of local codes, with the national fuel gas code, ANSI Z223 latest edition.

Note: Reference pub. no. 49-8843-1, Monogram Outdoor Cooking Center Installation Instructions, for complete details. Reference pub.no. 49-8840-1, Monogram Outdoor Cooking Center Cart Installation Instructions, for complete details.



Listed by
Underwriters
Laboratories

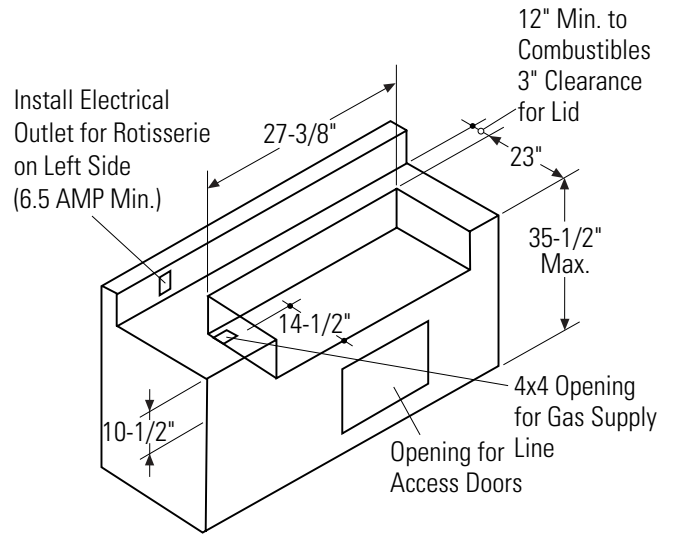
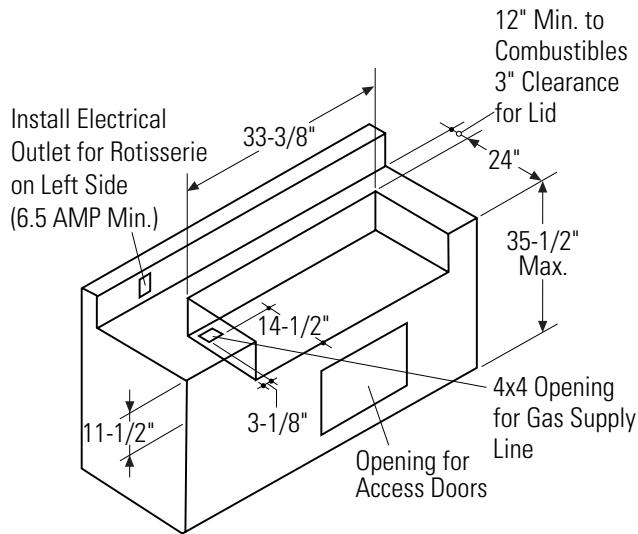
For answers to your Monogram® GE Profile™ or GE® appliance questions, visit our website at GEAppliances.com or call GE Answer Center® service, 800.626.2000.



Monogram®

ZGG27N20CSS (Natural Gas) – GE Monogram 27" Outdoor Cooking Center ZGG27L20CSS (Liquid Propane)

Dimensions and Specifications (in inches)



Installation in a combustible enclosure ZX27JYSS insulated jacket is required

The insulated jacket must be supported from the bottom by a solid deck or ledge on each side beneath the jacket. Construct the enclosure as shown and place the insulated jacket into the enclosure. Place the cooking center into the jacket.

Installation in a non-combustible (masonry) enclosure

The grill drops into the opening. The grill must be supported by a deck or ledge on each side.

Clearances – All Models

- Allow 3" at the rear for lid clearance.
- Allow at least 12" clearance at the back of the grill when exhaust is directed to a window or a surface that is difficult to clean.
- Allow at least 6" clearance on each side to any non-combustible material located above the cooking surface for counterspace. Rotisserie models also require 6" clearance for placing and handling the motor and skewer.
- Allow at least 12" clearance on each side to combustible vertical materials.



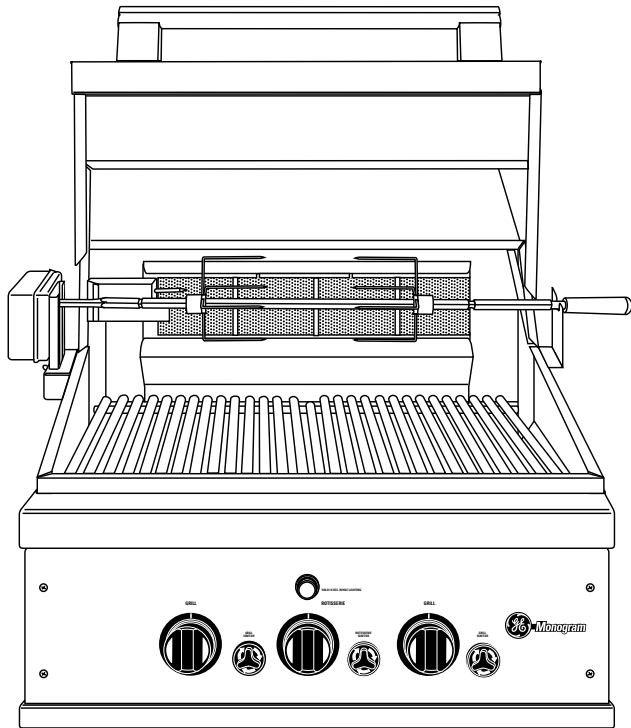
Listed by
Underwriters
Laboratories

For answers to your Monogram® GE Profile™ or GE® appliance questions, visit our website at GEAppliances.com or call GE Answer Center® service, 800.626.2000.



Monogram®

ZGG27N20CSS (Natural Gas) – GE Monogram 27" Outdoor Cooking Center ZGG27L20CSS (Liquid Propane)



Features and Benefits

- Natural Gas Model
- 2 (20,000 BTU) Cast-Iron Gas Grill Burners
- Rotary Multi-Spark Piezo Ignition
- Brass Control Valves
- Steel, Porcelain-Enameled Grill Grates
- Stainless Steel, Slide-Out Drip Tray
- Heavy Duty 304 Stainless Steel Construction
- Flexible Installation Options
- Model ZGG27N20CSS – Natural gas
- Model ZGG27L20CSS – Liquid propane gas