




fully integrated • stainless steel interior • 2004 retail product specifications • flexible racking • energy efficient • nylon

## GE Profile™ and GE® Dishwashers

America's most beautiful dishwashers...you be the judge.

imagination at work 

Beauty that's more than skin deep.





The real beauty of the **GE Profile™ fully integrated dishwasher** is its remarkable versatility. The hidden **electronic control panel** is tucked out of sight along the top of the door for freedom of design like never before. Choose the **contour stainless exterior** with its refined **sculptured handle**, or conceal the front with custom wood panels that **blend seamlessly** into existing cabinetry. Or **express yourself** on a one-of-a-kind **designer's canvas**. And beauty isn't only skin deep; inside you'll find unparalleled **capacity** and **flexibility**, the remarkably silent new **QuietPower™ VI** sound package and **performance that's guaranteed**. It's a rare kind of beauty...striking inside and out.





# Feature Gallery





**1 Fully integrated contour door**  
Offers a gentle, seamless curve for an upscale appearance.



**2 Bright annealed stainless steel interior**  
A lustrous finish and lasting beauty that resists stains and corrosion.



**3 Giant tub with maximum capacity nylon racking**  
Holds tall and oversized items; washes 16 place settings at once.



**4 Four-position adjustable/removable upper rack**  
Pulls out completely or moves up, down and diagonally for maximum loading flexibility.



**5 Countdown display with 1–24-hour Delay Start**  
Signals remaining cycle time and starts the dishwasher when no one's home or during off-peak hours when utilities are at reduced rates.



**6 QuietPower™ VI sound package with concealed ActiveVent**  
Features the fan-assist drying system, the new concealed ActiveVent and an enhanced insulation package to make this the quietest GE Profile™ dishwasher ever.



**7 100% fold-down tines and adaptable bowl tines in lower rack**  
Flip up to hold bowls, or flip down to provide maximum loading flexibility in the lower rack.



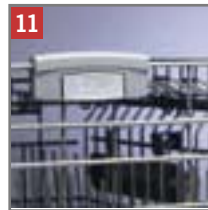
**8 3 nylon-coated Pearlescent™ metal utility shelves with StemSafe™ in upper rack**  
Durable metal shelves create space in the upper rack for cups and utensils and secure delicate stemware.



**9 4 sets fold-down tines with 2 multi-position in upper rack**  
Provide additional flexibility for loading odd-shaped items.



**10 Fully integrated light-touch electronic controls with 6 status lights**  
Add a higher level of control, with easy-to-use light-touch pads and status lights hidden inside the door's top edge for increased design options.



**11 Pearlescent nylon racks**  
Complement the radiance of stainless steel.



**12 Plastics Cycle with fan-assist dry**  
Employs a quietly running fan to dry dishes and plastic items quickly and efficiently.

# Built-In Dishwashers



## PDW9800J

### GE Profile™ Fully Integrated Dishwasher

- **Fully integrated contour door** **Only GE has it!**
- Bright annealed stainless steel interior
- Giant tub with maximum capacity nylon racking
- Four-position adjustable/removable upper rack
- Countdown display with 1–24-hour Delay Start
- 3 nylon-coated Pearlescent™ metal utility shelves with StemSafe™ in upper rack
- Plastics Cycle with fan-assist dry



-  PDW9880JSS
-  PDW9800JWW
-  PDW9800JCC
-  PDW9800JBB



## PDW9700JII

### GE Profile Fully Integrated Dishwasher

- **Fully integrated door for custom panels**
- Bright annealed stainless steel interior
- Giant tub with maximum capacity nylon racking
- **Four-position adjustable/removable upper rack**
- **Countdown display with 1–24-hour Delay Start**
- **3 nylon-coated Pearlescent™ metal utility shelves with StemSafe in upper rack**
- **Plastics Cycle with fan-assist dry**



-  Stainless steel
-  White
-  Bisque
-  Black



**PDW9200J**

**GE Profile Fully Integrated Dishwasher**

- Fully integrated contour door **Only GE has it!**
- Bright annealed stainless steel interior
- Giant tub with maximum capacity nylon racking
- Removable upper rack
- 2/4/8-hour Delay Start
- QuietPower™ VI sound package with concealed ActiveVent
- Audible end-of-cycle signal



-  PDW9280JSS
-  PDW9200JWW
-  PDW9200JCC
-  PDW9200JBB



**PDW8880J**

**GE Profile Stainless Built-In Dishwasher**

- **Stainless one-piece contour door** **Only GE has it!**
- Bright annealed stainless steel interior
- Giant tub with maximum capacity nylon racking
- Plastics Cycle with fan-assist dry
- Countdown display with 1-24-hour Delay Start
- 3 nylon-coated Pearlescent metal utility shelves with StemSafe in upper rack
- 100% fold-down tines and adaptable bowl tines in lower rack



-  PDW8880JSS
-  PDW8800JWW
-  PDW8800JCC
-  PDW8800JBB



 Stainless steel    White    Bisque    Black



# Built-In Dishwashers



## PDW8700J

### GE Profile™ Stainless Built-In Dishwasher

- Full-length flat door (**CustomStyle™** panel trim kit available)
- Bright annealed stainless steel interior
- Giant tub with maximum capacity nylon racking
- **Plastics Cycle with fan-assist dry**
- **Countdown display with 1–24-hour Delay Start**
- **3 nylon-coated Pearlescent™ metal utility shelves with StemSafe™ in upper rack**
- **100% fold-down tines and adaptable bowl tines in lower rack**



-  PDW8700JWW
-  PDW8700JCC
-  PDW8700JBB



## PDW8400J

### GE Profile Stainless Built-In Dishwasher

- One-piece color wrap contour door **Only GE has it!**
- Bright annealed stainless steel interior
- Giant tub with maximum capacity nylon racking
- **Four-position adjustable/removable upper rack**
- **Countdown display with 1–9-hour Delay Start**
- QuietPower™ V sound package
- **Light-touch electronic controls with 6 status lights**



-  PDW8480JSS
-  PDW8400JWW
-  PDW8400JCC
-  PDW8400JBB



 Stainless steel    White    Bisque    Black





**PDW8200J**  
**GE Profile Stainless Built-In Dishwasher**

- One-piece color wrap contour door **Only GE has it!**
- Bright annealed stainless steel interior
- Giant tub with maximum capacity nylon racking
- Removable upper rack
- 2/4/8-hour Delay Start
- QuietPower V sound package
- Light-touch electronic controls



-  PDW8280JSS
-  PDW8200JWW
-  PDW8200JCC
-  PDW8200JBB



**PDW7880J**  
**GE Profile Built-In Dishwasher**

- **Stainless one-piece contour door** **Only GE has it!**
- Nylon racks with color-matched components
- Giant tub with maximum capacity nylon racking
- Four-position adjustable upper rack
- **100% fold-down tines in lower rack**
- QuietPower IV sound package
- **Glasses Cycle selection**



-  PDW7880JSS
-  PDW7800JWW
-  PDW7800JCC
-  PDW7800JBB



-  Stainless steel
-  White
-  Bisque
-  Black

# Built-In Dishwashers



## PDW7300J

### GE Profile™ Built-In Dishwasher

- One-piece color wrap contour door **Only GE has it!**
- Nylon racks with color-matched components
- Giant tub with maximum capacity nylon racking
- Four-position adjustable upper rack
- 4 utility shelves with StemSafe™ in upper rack
- QuietPower™ IV sound package
- Countdown display with 1–9-hour Delay Start



-  PDW7300JWW
-  PDW7300JCC
-  PDW7300JBB


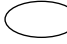




## GSD6960J

### GE Triton® XL Built-In Dishwasher

- **Stainless full-length contour door** **Only GE has it!**
- ExtraClean™ wash system with 3 direct-feed wash arms
- ExtraClean sensor
- Giant tub with maximum capacity nylon racking
- **Four-position adjustable upper rack**
- QuietPower IV sound package
- **Countdown display with 1–9-hour Delay Start**



-  GSD6960JSS
-  GSD6900JWW
-  GSD6900JCC
-  GSD6900JBB



 Stainless steel    White    Bisque    Black









## GSD6600G

### GE Triton XL Built-In Dishwasher

- Full-length flat door
- ExtraClean wash system with 3 direct-feed wash arms
- ExtraClean sensor
- Giant tub with maximum capacity **nylon** racking
- **2 sets fold-down tines in lower rack**
- **QuietPower IV sound package**
- 2/4/8-hour Delay Start



-  GSD6660GSS
-  GSD6600GWW
-  GSD6600GCC
-  GSD6600GBB




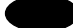


## GSD6260J

### GE Triton XL Built-In Dishwasher

- Full-length flat door
- ExtraClean wash system with 3 direct-feed wash arms
- ExtraClean sensor
- Giant tub with maximum capacity racking
- **2 utility shelves in upper rack**
- **QuietPower III sound package**
- 2/4/8-hour Delay Start



-  GSD6260JSS
-  GSD6200JWW
-  GSD6200JCC
-  GSD6200JBB



-  Stainless steel
-  White
-  Bisque
-  Black



# Built-In Dishwashers



## GSD6100K

### GE Triton® XL Built-In Dishwasher

- Full-length flat door
- ExtraClean™ wash system with 3 direct-feed wash arms
- ExtraClean sensor
- Giant tub with maximum capacity racking
- 16 place setting capacity
- QuietPower™ II sound package
- 2/4/8-hour Delay Start



-  **GSD6100KWW**
-  **GSD6100KCC**
-  **GSD6100KBB**



## GSD5500G

### GE Triton Built-In Dishwasher

- TriClean™ wash system with 3 wash arms
- Electronic controls
- ExtraClean sensor
- SaniWash cycle
- Super upper rack
- QuietPower II sound package
- 2/4/8-hour Delay Start



-  **GSD5560GSS**
-  **GSD5500GWW**
-  **GSD5500GCC**
-  **GSD5500GBB**



 Stainless steel    White    Bisque    Black





## GSD4000J

### GE Nautilus™ Built-In Dishwasher

- TouchTap™ controls
- PowerScrub™ wash system
- HotStart™ option
- 1-6-hour Delay Start
- **Super upper rack**
- **QuietPower I sound package**
- Piranha™ hard food disposer



- GSD4060JSS
- GSD4000JWW
- GSD4000JCC
- GSD4000JBB



## GSD3400G

### GE Nautilus Built-In Dishwasher

- TouchTap controls
- **PowerScrub wash system**
- HotStart option
- **1-6-hour Delay Start**
- **Deluxe upper rack**
- QuietDesign™ sound package
- Piranha hard food disposer



- GSD3460GSS
- GSD3400GWW
- GSD3400GCC
- GSD3400GBB

Stainless steel  
  White  
  Bisque  
  Black

# Built-In Dishwashers



## GSD2600G GE Nautilus™ Built-In Dishwasher

- Trimless door design
- QuietPower™ motor
- HotStart™ option
- QuietDesign™ sound package
- Plate Warmer cycle
- Heated Dry option
- Light Wash cycle



-  **GSD2600GWW**
-  **GSD2600GCC**
-  **GSD2600GBB**





# Convertible Dishwashers



## GSC3400J

### GE Nautilus Convertible Dishwasher

- TouchTap™ controls
- Candlelight woodgrain laminate top
- PowerScrub™ wash system
- 1–6-hour Delay Start
- China/Crystal cycle
- QuietDesign sound package
- Deluxe split silverware basket

**Portable now...built-in later.**



○ GSC3400JWW

● GSC3400JBB



## GSC3200J

### GE Nautilus Convertible Dishwasher

- Pushbutton controls
- Candlelight woodgrain laminate top
- PowerScrub wash system
- QuietDesign sound package
- 5 wash levels
- Piranha hard food disposer

**Portable now...built-in later.**



○ GSC3200JWW

● GSC3200JBB



○ White   ● Black

# GE Spacemaker® Dishwashers



## GSM2100G

### GE Spacemaker Under-the-Sink Dishwasher

- Trimless door design
- Spacemaker upper rack
- Deluxe lower rack
- Deluxe silverware basket
- QuietPower™ motor
- HotStart™ option



- GSM2100GWW
- GSM2100GCC
- GSM2100GBB



Note: Under-the-sink dishwasher can be installed under GE cooktop models JP201C and JP202D. Refer to cooktop installation instructions.



## GSM1800J

### GE Spacemaker 18" Built-In Dishwasher

- Bright annealed stainless steel interior
- Full-length flat door
- Nylon racks
- Removable upper rack
- China/Crystal cycle
- Pots and Pans cycle
- Heated Dry option



- GSM1800JWW
- GSM1800JBB



○ White   ○ Bisque   ● Black

# Disposers and Compactor



## GFC1020F

GE® Continuous Feed Disposer

- **Heavy-duty 1 HP motor**
- **2800-RPM grinding action**
- **QuietPower III sound insulation package**
- Super capacity
- One-year full replacement **plus six-year limited warranty\***
- Stainless steel, dual-swivel, anti-jam grinding blades



## GFC320F

GE Continuous Feed Disposer

- 1/3 HP motor
- 1900-RPM grinding action
- Standard sound insulation package
- Large capacity
- One-year full replacement warranty\*
- Stainless steel, dual-swivel, anti-jam grinding blades

## GFC325F

Similar to GFC320F with attached line cord.



## GFC720F

GE Continuous Feed Disposer

- **Heavy-duty 3/4 HP motor**
- **2700-RPM grinding action**
- **QuietPower II sound insulation package**
- **Super capacity**
- One-year full replacement **plus four-year limited warranty\***
- Stainless steel, dual-swivel, anti-jam grinding blades



## GFB760F

GE Batch Feed Disposer

- **Batch feed operation**
- Heavy-duty 3/4 HP motor
- 2700-RPM grinding action
- QuietPower II sound insulation package
- Super capacity
- One-year full replacement plus four-year limited warranty\*
- Stainless steel, dual-swivel, anti-jam grinding blades



## GFC530F

GE Continuous Feed Disposer

- Heavy-duty 1/2 HP motor
- 2600-RPM grinding action
- **QuietPower I sound insulation package**
- **Extra-large capacity**
- One-year full replacement **plus two-year limited warranty\***
- Stainless steel, dual-swivel, anti-jam grinding blades

## GFC535F

Similar to GFC530F with attached line cord.



## GFC520F

GE Continuous Feed Disposer

- **Heavy-duty 1/2 HP motor**
- **2600-RPM grinding action**
- Standard sound insulation package
- Large capacity
- One-year full replacement **plus one-year limited warranty\***
- Stainless steel, dual-swivel, anti-jam grinding blades

## GFC525F

Similar to GFC520F with attached line cord.



## GCG1540F

GE Profile™  
Built-In Compactor

- Built-in only
- 1.4 cu. ft. capacity
- 1/3 HP motor
- Removable key lock
- Rear wheels
- Toe pedal opener
- Heavy-gauge steel construction

 GCG1540FSS

 GCG1530FWW

 GCG1550FCC

 GCG1520FBB

\*See written warranty for complete details.

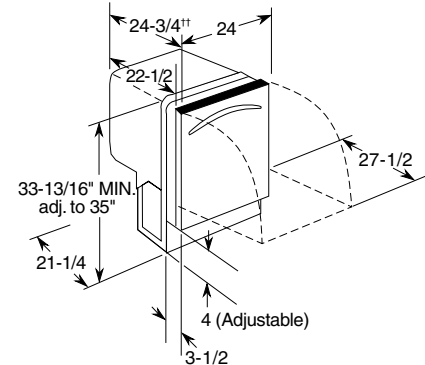
 Stainless steel  White  Bisque  Black



# GE Profile™ Fully Integrated Dishwashers

Features	GE Profile		
	ENERGY STAR® PDW9880JSS PDW9800JWW PDW9800JCC PDW9800JBB	ENERGY STAR  PDW9700JII	ENERGY STAR PDW9280JSS PDW9200JWW PDW9200JCC PDW9200JBB
Stainless steel	Stainless steel	Stainless steel	Stainless steel
Contour door	Panel ready door	Contour door	Contour door
ExtraClean™	ExtraClean	ExtraClean	ExtraClean
Light-touch, hidden controls	Light-touch, hidden controls	Light-touch, hidden controls	Light-touch, hidden controls
Countdown display with 6 status lights	Countdown display with 6 status lights	Countdown display with 6 status lights	1 "Clean" light, 1 "Sanitized" light
Variable*	Variable*	Variable*	Variable*
Anti-bacterial (NSF**)			
1-24-hour	1-24-hour	1-24-hour	2/4/8-hour
Auto w/added heat	Auto w/added heat	Auto w/added heat	Auto w/added heat
3 Pearllescent metal StemSafe™ upper	3 Pearllescent metal StemSafe upper	3 Pearllescent metal StemSafe upper	2 upper
3-13/16"	3-13/16"	3-13/16"	3-13/16"
24	24	24	24
27-1/2"	27-1/2"	27-1/2"	27-1/2"
4 (Adjustable)	4 (Adjustable)	4 (Adjustable)	4 (Adjustable)
2-3/4"	2-3/4"	2-3/4"	2-3/4"
QuietPower VI	QuietPower VI	QuietPower VI	QuietPower VI
Thininstall™ with heat-bonded bitumen	Thininstall with heat-bonded bitumen	Thininstall with heat-bonded bitumen	Thininstall with heat-bonded bitumen
Concealed w/ fan-assist dry	Concealed w/ fan-assist dry	Concealed w/ fan-assist dry	Concealed w/ fan-assist dry
SS, WW, CC, BB	Panel required	SS, WW, CC, BB	SS, WW, CC, BB
Height w/legs retracted (in.)	34	34	34
Height w/legs removed (in.)	33-13/16	33-13/16	33-13/16
Overall width (in.)	24	24	24
Overall depth (in.)	24-3/4††	24††	24-3/4††
Approx. shipping weight (lbs.)	105	105	105
Requires kit for 1/4" panel capability with trim	N/A	N/A	N/A
Requires kit for trimless 3/4" panel capability	N/A	Panel ready‡	N/A

## GE Profile Built-In Dishwasher Dimensions—excluding PDW9700JII (in inches)

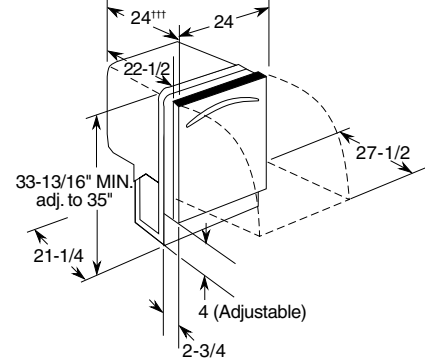


††Add 1/2" for deepest part of contour door.  
Allow an additional 2" for the handle on PDW9800/9200 Series models.

## Electrical Rating

Voltage AC ..... 120  
Hertz ..... 60  
Total connected load amperage ..... 9.1  
Calrod heater watts max. .... 875  
For use on adequately wired 120V, 15-amp circuit having 2-wire service with a separate ground wire. This appliance must be grounded for safe operation.

## GE Profile Built-In Dishwasher Dimensions—PDW9700JII (in inches)



†††Add 3/4" for custom panel and additional room for custom handle.

Note: Custom panels are required for model PDW9700JII. A panel template, Pub. No. 5-X063, is boxed with each dishwasher or is also available at additional cost.

## Electrical Rating

Voltage AC ..... 120  
Hertz ..... 60  
Total connected load amperage ..... 9.1  
Calrod heater watts max. .... 875  
For use on adequately wired 120V, 15-amp circuit having 2-wire service with a separate ground wire. This appliance must be grounded for safe operation.



Listed by Underwriters Laboratories

\*Sensor controlled.  
\*\*Certified by National Sanitation Foundation.  
\*\*\*SS = Stainless steel, WW = White on white, CC = Bisque on bisque, BB = Black on black.  
† For best results, use shower nozzle attachment when upper rack is removed.  
†† Add 1/2" for deepest part of contour door. Allow an additional 2 inches for the handle.  
††† Add 3/4" for custom panel and additional room for custom handle.  
‡ The most common panel dimensions are 30-1/4"H by 23-3/4"W. See template Pub. No. 5-X063 supplied with dishwasher for details on other custom sizes.

# GE Profile Stainless Built-In Dishwashers

Features	GE Profile			
	ENERGY STAR PDW8880JSS PDW8800JWW PDW8800JCC PDW8800JBB	ENERGY STAR PDW8700JWW PDW8700JCC PDW8700JBB	ENERGY STAR PDW8480JSS PDW8400JWW PDW8400JCC PDW8400JBB	ENERGY STAR PDW8280JSS PDW8200JWW PDW8200JCC PDW8200JBB
<b>Features</b>				
Tub and door liner	Stainless steel	Stainless steel	Stainless steel	Stainless steel
Giant tub	●	●	●	●
Front appearance	Contour door	Flat door	Contour door	Contour door
Upscale flush design	●	●	●	●
Full-length door design	One-piece color wrap	●	One-piece color wrap	One-piece color wrap
Wash system	ExtraClean	ExtraClean	ExtraClean	ExtraClean
Wash arms	3 direct-feed	3 direct-feed	3 direct-feed	3 direct-feed
Wash levels	6	6	6	6
Water filtration	100% triple with ExtraFine filter	100% triple with ExtraFine filter	100% triple with ExtraFine filter	100% triple with ExtraFine filter
Dual pumps and motors	●	●	●	●
Hard food disposer	Piranha	Piranha	Piranha	Piranha
Sensor	ExtraClean	ExtraClean	ExtraClean	ExtraClean
Automatic temperature control	●	●	●	●
Electronic controls	Light-touch	Light-touch	Light-touch	Light-touch
Cycle progress indicators	Countdown display with 6 status lights	Countdown display with 6 status lights	Countdown display with 6 status lights	1 "Clean" light, 1 "Sanitized" light
Touchpads	12	12	11	9
Selections/Enhancements	Variable*	Variable*	Variable*	Variable*
Last cycle memory	●	●	●	●
Selections				
Anti-bacterial (NSF**)	●	●	●	●
Cookware	●	●	●	●
Normal Wash	●	●	●	●
China/Crystal	●	●	●	●
Glasses Cycle	●	●	●	●
Plastics Cycle	●	●	●	●
SpeedCycle (wash & dry)	●	●	●	●
Rinse Only	●	●	●	●
Enhancements				
Delay Start	1-24-hour	1-24-hour	1-9-hour	2/4/8-hour
Hi-Temp Wash	Added heat	Added heat	Added heat	Added heat
Hi-Temp Rinse	Auto w/added heat	Auto w/added heat	Auto w/added heat	Auto w/added heat
PreWash	●	●	●	●
Heated Dry	●	●	●	●
HotStart	Automatic	Automatic	Automatic	Automatic
Child lock	●	●	●	●
Racking				
Maximum capacity nylon racking	Pearlescent	Pearlescent	Pearlescent	Color-matched
Adjustable upper rack with CleanTip tines	4-position	4-position	4-position	
Removable upper rack†	Nylon deep tiered	Nylon deep tiered	Nylon deep tiered	Nylon deep tiered
Upper rack handle	●	●	●	●
Fold-down tine flexibility	4 sets with 2 multi-position, upper; 100% and adaptable bowl tines, lower	4 sets with 2 multi-position, upper; 100% and adaptable bowl tines, lower	2 sets with 1 multi-position, upper; 2 lower	2 lower
Utility shelves	3 Pearlescent metal StemSafe upper	3 Pearlescent metal StemSafe upper	2 w/StemSafe upper	2 upper
Silverware basket	Super capacity 3-pc. with ExtraBasket	Super capacity 3-pc. with ExtraBasket	Super capacity 3-pc.	Super capacity
Cutlery tray	●	●	●	●
Hard countertop installation	Included	Included	Included	Included
Calrod heater	Multi-wattage	Multi-wattage	Multi-wattage	Multi-wattage
Rinse aid dispenser	w/Indicator and adjustment	w/Indicator and adjustment	w/Indicator and adjustment	w/Indicator and adjustment
Latch	Squeeze	Squeeze	Squeeze	Squeeze
<b>Quiet</b>				
Sound insulation package	QuietPower V	QuietPower V	QuietPower V	QuietPower V
Tub insulation	Thinstall with heat-bonded bitumen	Thinstall with heat-bonded bitumen	Thinstall with heat-bonded bitumen	Thinstall with heat-bonded bitumen
Door insulation	With bitumen	With bitumen	With bitumen	With bitumen
QuietPower motor	●	●	●	●
ActiveVent system	●	●	●	●
Tub collar trim	●	●	●	●
Electronic control system	●	●	●	●
Quiet water valve	●	●	●	●
<b>Appearance</b>				
Colors available***	SS, WW, CC, BB	WW, CC, BB	SS, WW, CC, BB	SS, WW, CC, BB
<b>Weights &amp; Dimensions</b>				
Height w/legs retracted (in.)	34	34	34	34
Height w/legs removed (in.)	33-13/16	33-13/16	33-13/16	33-13/16
Overall width (in.)	24	24	24	24
Overall depth (in.)	24-3/4††	24-3/4	24-3/4††	24-3/4††
Approx. shipping weight (lbs.)	105	105	105	105
<b>Accessories</b>				
Requires kit for 1/4" panel capability with trim	N/A	GPF825W/C/B	N/A	N/A
Requires kit for trimless 3/4" panel capability	N/A	GPF875W/C/B	N/A	N/A

\* Sensor controlled.  
 \*\* Certified by National Sanitation Foundation.  
 \*\*\* SS = Stainless steel, WW = White on white, CC = Bisque on bisque, BB = Black on black.  
 † For best results, use shower nozzle attachment when upper rack is removed.  
 †† Add 1/2" for deepest part of contour door.

# GE Profile™ Built-In Dishwashers

# GE Triton® XL Built-In Dishwashers

Features	GE Profile	
	ENERGY STAR® PDW7880JSS PDW7800JWW PDW7800JCC PDW7800JBB	ENERGY STAR PDW7300JWW PDW7300JCC PDW7300JBB
GE Profile		
ENERGY STAR®		
PDW7880JSS		
PDW7800JWW		
PDW7800JCC		
PDW7800JBB		
ENERGY STAR		
PDW7300JWW		
PDW7300JCC		
PDW7300JBB		
Features		
Tub and door liner	PermaTuf®	PermaTuf
Giant tub	●	●
Front appearance	Contour door	Contour door
Upscale flush design	●	●
Full-length door design	One-piece color wrap	One-piece color wrap
Wash system	ExtraClean™	ExtraClean
Wash arms	3 direct-feed	3 direct-feed
Wash levels	6	6
Water filtration	100% triple with ExtraFine™ filter	100% triple with ExtraFine filter
Dual pumps and motors	●	●
Hard food disposer	Piranha™	Piranha
Sensor	ExtraClean	ExtraClean
Auto. temperature control	●	●
Electronic controls	Light-touch	Light-touch
Cycle progress indicators	Countdown display with 6 status lights	Countdown display with 6 status lights
Touchpads	12	11
Selections/Enhancements	Variable*	Variable*
Last cycle memory	●	●
Selections		
Anti-bacterial (NSF**)	●	●
Cookware	●	●
Normal Wash	●	●
China/Crystal	●	●
Glasses Cycle	●	●
SpeedCycle™ (wash & dry)	●	●
Rinse Only	●	●
Enhancements		
Delay Start	1-9-hour	1-9-hour
Hi-Temp Wash	Added heat	Added heat
Hi-Temp Rinse	Auto w/added heat	Auto w/added heat
PreWash	●	●
Heated Dry	●	●
HotStart™	Automatic	Automatic
Child lock	●	●
Racking		
Maximum capacity nylon racking	Color-matched	Color-matched
Adjustable upper rack with CleanTip tines	4-position deep tiered	4-position deep tiered
Fold-down tine flexibility	4 sets w/2 multi-position upper; 100% lower	2 sets w/1 multi-position upper; 2 lower
Utility shelves	4 w/StemSafe™ upper	4 w/StemSafe upper
Silverware basket	Super capacity 3-pc. with ExtraBasket™	Super capacity 3-pc.
Hard countertop installation	Included	Included
Calrod® heater	Multi-wattage w/Indicator and adjustment	Multi-wattage w/Indicator and adjustment
Rinse aid dispenser	w/Indicator and adjustment	w/Indicator and adjustment
Latch	Squeeze	Squeeze
Quiet		
Sound insulation package	QuietPower IV	QuietPower IV
Tub insulation	Thinstall™ Plus	Thinstall Plus
Door insulation	w/mastic	w/mastic
QuietPower™ motor	●	●
ActiveVent system	●	●
Tub collar trim	●	●
Electronic control system	●	●
Quiet water valve	●	●
Appearance		
Colors available***	SS, WW, CC, BB	WW, CC, BB
Weights & Dimensions		
Height w/legs retracted (in.)	34	34
Height w/legs removed (in.)	33-13/16	33-13/16
Overall width (in.)	24	24
Overall depth (in.)	24-3/4†	24-3/4†
Approx. shipping wt. (lbs.)	90	90

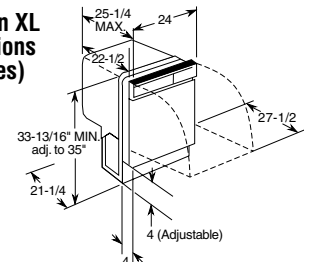
\* Sensor controlled.  
 \*\* Certified by National Sanitation Foundation.  
 \*\*\* SS = Stainless steel, WW = White on white, CC = Bisque on bisque, BB = Black on black.  
 † Add 1/2" for deepest part of contour door.



Features	GE®			
	ENERGY STAR GSD6960JSS GSD6900JWW GSD6900JCC GSD6900JBB	ENERGY STAR GSD6660GSS GSD6600GWW GSD6600GCC GSD6600GBB	ENERGY STAR GSD6260JSS GSD6200JWW GSD6200JCC GSD6200JBB	ENERGY STAR GSD6100KWW GSD6100KCC GSD6100KBB
GE®				
ENERGY STAR				
GSD6960JSS				
GSD6900JWW				
GSD6900JCC				
GSD6900JBB				
ENERGY STAR				
GSD6660GSS				
GSD6600GWW				
GSD6600GCC				
GSD6600GBB				
ENERGY STAR				
GSD6260JSS				
GSD6200JWW				
GSD6200JCC				
GSD6200JBB				
ENERGY STAR				
GSD6100KWW				
GSD6100KCC				
GSD6100KBB				
Features				
Giant tub	●	●	●	●
Front appearance	Contour door	Flat door	Flat door	Flat door
Upscale flush design	●	●	●	●
Full-length door design	●	●	●	●
Wash system	ExtraClean	ExtraClean	ExtraClean	ExtraClean
Wash arms	3 direct-feed	3 direct-feed	3 direct-feed	3 direct-feed
Wash levels	6	6	6	6
ExtraFine filter	100% triple	100% triple	100% triple	100% triple
Dual pumps and motors	●	●	●	●
Hard food disposer	Piranha	Piranha	Piranha	Piranha
Sensor	ExtraClean	ExtraClean	ExtraClean	ExtraClean
Automatic temperature control	●	●	●	●
Electronic controls	Light-touch	Light-touch	Light-touch	Light-touch
Cycle progress indicators	Countdown display with 6 status lights	6 status lights	1 "Clean" light, 1 "Sanitized" light	1 "Clean" light, 1 "Sanitized" light
Touchpads	10	10	9	9
Cycles/Options	Variable*	Variable*	Variable*	Variable*
Last cycle memory	●	●	●	●
Cycles				
Anti-bacteria (NSF**)	●	●	●	●
Pots & Pans	●	●	●	●
Normal Wash	●	●	●	●
China/Crystal	●	●	●	●
SpeedCycle (wash & dry)	●	●	●	●
Rinse Only	●	●	●	●
Options				
Delay Start	1-9-hour	2/4/8-hour	2/4/8-hour	2/4/8-hour
Hi-Temp Wash	ExtraHot Wash	ExtraHot Wash	ExtraHot Wash	ExtraHot Wash
Hi-Temp Rinse	Auto w/ExtraHot Wash	Auto w/ExtraHot Wash	Auto w/ExtraHot Wash	Auto w/ExtraHot Wash
Heated Dry	●	●	●	●
HotStart	Automatic	Automatic	Automatic	Automatic
Child lock	●	●	●	●
Racking				
Maximum capacity racking	●	●	●	●
Upper rack	4-position, adjustable nylon deep tiered	Nylon deep tiered	Deep tiered	Deep tiered
Fold-down tine flexibility	1 multi-position upper; 2 lower	2 lower	2 upper	2 upper
Utility shelves	4 upper	2 upper	2 upper	2 upper
Silverware basket	Super capacity 3-pc.	Super capacity 3-pc.	Super capacity 3-pc.	Super capacity
Hard countertop installation	GPF65	GPF65	GPF65	GPF65
Calrod heater	Multi-wattage w/Indicator and adjustment	Multi-wattage w/Indicator and adjustment	Multi-wattage w/Indicator and adjustment	Multi-wattage w/Indicator and adjustment
Rinse aid dispenser	w/Indicator and adjustment	w/Indicator and adjustment	w/Indicator and adjustment	w/Indicator and adjustment
Latch	Squeeze	Squeeze	Squeeze	Squeeze
Quiet				
Sound insulation package	QuietPower IV	QuietPower IV	QuietPower III	QuietPower II
Tub insulation	Thinstall Plus	Thinstall Plus	T-blanket	T-blanket
Door insulation and mastic	●	●	●	●
QuietPower motor	●	●	●	●
ActiveVent system	●	●	●	●
Tub collar trim	●	●	●	●
Electronic control system	●	●	●	●
PermaTuf tub and door liner	●	●	●	●
Appearance				
Colors available***	SS, WW, CC, BB	SS, WW, CC, BB	SS, WW, CC, BB	WW, CC, BB
Weights & Dimensions				
Height w/legs retracted (in.)	34	34	34	34
Height w/legs removed (in.)	33-13/16	33-13/16	33-13/16	33-13/16
Overall width (in.)	24	24	24	24
Overall depth (in.)	25-1/4 max.	25-1/4 max.	25-1/4 max.	25-1/4 max.
Approx. shipping weight (lbs.)	90	90	90	90
Accessories				
Requires kit for 1/4" panel capability with trim	N/A	GPF825W/C/B	GPF825W/C/B	GPF825W/C/B
Requires kit for trimless 3/4" panel capability	N/A	GPF875W/C/B	GPF875W/C/B	GPF875W/B

\* Sensor controlled.  
 \*\* Certified by National Sanitation Foundation.  
 \*\*\* SS = Stainless steel, WW = White on white, CC = Bisque on bisque, BB = Black on black.

## GE Triton XL Dimensions (in inches)



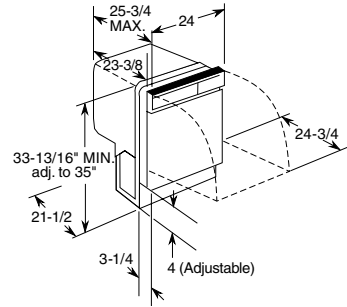
## Electrical Rating

Voltage AC .....120  
 Hertz .....60  
 Total connected load amperage .....9.1  
 Calrod heater watts max. ....875  
 For use on adequately wired 120V, 15-amp circuit having 2-wire service with a separate ground wire. This appliance must be grounded for safe operation.

# GE Triton Built-In Dishwashers

	<b>GE</b>
	<b>ENERGY STAR</b>
	<b>GSD5560GSS</b>
	<b>GSD5500GWW</b>
	<b>GSD5500GCC</b>
	<b>GSD5500GBB</b>
<b>Features</b>	
Wash system	TriClean™
Dual pumps and motors	●
Wash arms	3
Wash levels	6
Water filtration	100% triple
Hard food disposer	Piranha
Sensor	ExtraClean
Cycles	Variable*
Pots & Pans	●
Normal Wash	●
Light Wash	●
China/Crystal	●
SaniWash (NSF**)	●
Rinse Only	●
Options	Variable
Delay Start	2/4/8-hour
Heated Dry	●
Child lock	●
Racks, shelf & basket	
Upper rack	Super
Lower rack	Super
Utility shelves	2
Silverware basket	Super capacity
Control type	Electronic
Cycle progress indicators	6 LEDs
Touchpads	10
Hard countertop installation	GPF65
Optional heavy door spring	GPF100
Rinse aid dispenser	w/Indicator
Center throw door latch	●
<b>Quiet</b>	
Sound insulation package	QuietPower II
PermaTuf tub and door liner	●
QuietPower motor	●
<b>Appearance</b>	
Colors available***	SS, WW, CC, BB
Color panels—door & access	Trimless
<b>Weights &amp; Dimensions</b>	
Height w/legs retracted (in.)	34
Height w/legs removed (in.)	33-13/16
Overall width (in.)	24
Overall depth (in.)	25-3/4
	85
Approx. shipping weight (lbs.)	80
<b>Accessories</b>	
Requires kit for 1/4" panel capability with trim	N/A GPF425W/C/B
Requires kit for trimless 3/4" panel capability	N/A GPF475

## Dimensions (in inches)



## Electrical Rating

Voltage AC ..... 120  
 Hertz ..... 60  
 Total connected load amperage ..... 8.2  
 Calrod heater watts ..... 725

For use on adequately wired 120V, 15-amp circuit having 2-wire service with a separate ground wire. This appliance must be grounded for safe operation.



Listed by Underwriters Laboratories

All GE dishwashers are equipped with the following: 120°F inlet water capability, Easy-Glide roller system, convection drying, horizontal mechanism, leveling screws.

\*Sensor controlled.  
 \*\*Certified by National Sanitation Foundation  
 \*\*\* Colors available: SS = Stainless Steel, WW = White on white, CC = Bisque on bisque, BB = Black on black.



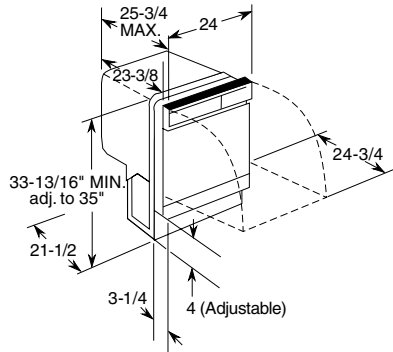
# GE Nautilus™ Built-In Dishwashers

Features	GE®		
	ENERGY STAR®		ENERGY STAR
	GSD4060JSS GSD4000JWW GSD4000JCC GSD4000JBB	GSD3460GSS GSD3400GWW GSD3400GCC GSD3400GBB	GSD2600GWW GSD2600GCC GSD2600GBB
<b>Wash system</b>	PowerScrub™	PowerScrub	Standard
Wash levels	5	5	2
Water filtration	Dual	Dual	
Food disposer	Piranha™	Piranha	●
Cycles	6	6	5
Pots & Pans	●	●	
Heavy Wash	●		●
Normal Wash	●	●	●
Light Wash		●	Dial
Short Wash	Dial	Dial	
Plate Warmer	Dial	Dial	Dial
Rinse Only	Dial	Dial	Dial
Options	31	31	22
Delay Start	1-6-hour	1-6-hour	
Heated Dry	●	●	●
Hi-Temp Wash	●	●	●
HotStart™		●	Dial
Racks, shelf & basket			
Upper rack	Super	Deluxe	Standard
Lower rack	Deluxe	Deluxe	Deluxe
Utility shelves	2		
Silverware basket	Deluxe	Deluxe	Deluxe
Control type	TouchTap™	TouchTap	Turn-to-start
Cycle progress indicator(s)	1 "Cycle On"	1 "Cycle On"	Dial
Touchpads	7	7	
Pushbuttons			6
Hard countertop installation	GPF65	GPF65	GPF65
Optional heavy door spring	GPF100	GPF100	GPF100
Rinse aid dispenser	w/Indicator	●	●
Center throw door latch	●	●	●
<b>Quiet</b>			
Sound insulation package	QuietPower I	QuietDesign™	QuietDesign
PermaTuf® tub/door liner	●	●	●
QuietPower™ motor	●	●	●
<b>Appearance</b>			
Colors available*	SS, WW, CC, BB	SS, WW, CC, BB	WW, CC, BB
Color panels—door & access	Trimless	Trimless	Trimless
<b>Weights &amp; Dimensions</b>			
Height w/legs retracted (in.)	34	34	34
Height w/legs removed (in.)	33-13/16	33-13/16	33-13/16
Overall width (in.)	24	24	24
Overall depth (in.)	25-3/4	25-3/4	25-3/4
Approx. shipping weight (lbs.)	80	80	80
<b>Accessories</b>			
Requires kit for 1/4" panel capability with trim	GPF425W/C/B	GPF425W/C/B	GPF325W/C/B
Requires kit for trimless 3/4" panel capability	GPF475	GPF475	GPF375

All GE Dishwashers are equipped with the following: 120°F inlet water capability, Easy-Glide roller system, convection drying, horizontal mechanism, leveling screws.

\*Colors available: SS = Stainless steel, WW = White on white, CC = Bisque on bisque, BB = Black on black.

## Dimensions (in inches)



## Electrical Rating

Voltage AC ..... 120  
 Hertz ..... 60  
 Total connected load amperage ..... 6.2  
 Calrod® heater watts ..... 500  
 For use on adequately wired 120V, 15-amp circuit having 2-wire service with a separate ground wire. This appliance must be grounded for safe operation.



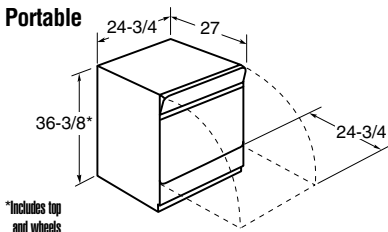
## GE Nautilus Convertible Dishwashers

Features	GE	
	ENERGY STAR GSC3400JWW GSC3400JBB	ENERGY STAR GSC3200JWW GSC3200JBB
	Wash system	PowerScrub
Wash levels	5	5
Water filtration	Dual	Dual
Hard food disposer	Piranha	Piranha
Cycles	7	5
Pots & Pans	●	●
Heavy Wash	●	●
Normal Wash	●	●
China/Crystal	●	●
Short Wash	Dial	Dial
Plate Warmer	Dial	Dial
Rinse Only	Dial	Dial
Options	39	22
Delay Start	1-6-hour	
Heated Dry	●	●
Energy Saver	●	●
Hi-Temp Wash	●	●
HotStart	●	Dial
Racks (upper/lower)	Super/Deluxe	Super/Deluxe
Silverware basket	Deluxe split w/2 cell covers	Deluxe
Cycle progress indicator	1 "Cycle On"	Dial
TouchTap controls	8	
Pushbuttons		6
Rinse aid dispenser	w/Indicator	●
Center throw door latch	●	●
<b>Quiet</b>		
Sound insulation package	QuietDesign	QuietDesign
PermaTuf tub and door liner	●	●
QuietPower motor	●	●
Sealed toekick	●	●
<b>Appearance</b>		
Colors available*	WW, BB	WW, BB
Color panels—door & access	Trimless	Trimless
Decorative wood laminate top	Woodgrain	Woodgrain
<b>Weights &amp; Dimensions</b>		
Overall height w/legs extended (in.)	36-3/8	36-3/8
Overall width (in.)	24-7/8	24-7/8
Overall depth (in.)	27	27
Approx. shipping weight (lbs.)	130	130
<b>Accessories</b>		
Requires kit for 1/4" panel capability with trim	GPF425W/B	GPF325W/B
Requires kit for trimless 3/4" panel capability	GPF475	GPF375

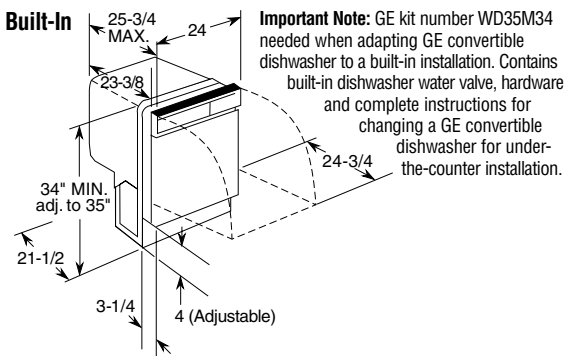
\*Colors available: WW = White on white, BB = Black on black (with bisque side panels).

### Convertible Dishwasher Dimensions (in inches)

#### Portable



#### Built-In

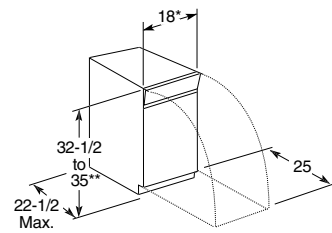


## GE Spacemaker® Built-In 18" Dishwasher

Features	GE	
	ENERGY STAR GSM1800JWW GSM1800JBB	
	Tub and door liner	Stainless steel
Wash levels	2	
Cycles	7	
Pots & Pans	Dial	
Heavy Wash	Dial	
Normal Wash	Dial	
Light Wash	Dial	
China/Crystal	Dial	
Plate Warmer	Dial	
Rinse Only	Dial	
Options	12	
Heated Dry	Rocker	
Racks (upper/lower)	Nylon	
Removable upper rack	●	
Utility shelves	●	
Silverware basket	Standard	
Control type	Turn-to-start	
Cycle progress indicator	Dial	
Hard countertop installation	N/A	
Rinse aid dispenser	w/adjustment	
120°F inlet water capability	●	
Leveling screws	●	
<b>Economical/Quiet</b>		
Tub insulation	Standard	
<b>Appearance</b>		
Colors available*	WW, BB	
<b>Weights &amp; Dimensions</b>		
Height w/legs retracted (in.)	32	
Overall width (in.)	18	
Overall depth (in.)	22-1/2	
Approx. shipping weight (lbs.)	100	
<b>Accessories</b>		
Requires kit for 1/4" panel capability with trim	GPF18W/B	

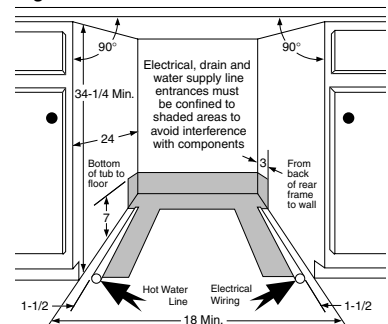
\*Colors available: WW = White on white, BB = Black on black.

### Spacemaker Built-In Dimensions GSM1800J (in inches)



\*Width adjustable from 17-3/8" to 18".  
\*\*Meets ADA countertop height requirement of 34".

Figure 1



### Dishwasher Rough-In Information

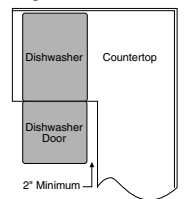
**Note:** Dishwasher must not be installed more than ten feet from sink for proper drainage. All plumbing and electrical work must be in accordance with local codes.

Most of the installation work should be done before the dishwasher is moved into place. First, select a location as close to the sink as possible for ready access to water and drain lines. For proper operation and appearance of the dishwasher, the cabinet opening should be square and have dimensions as shown in Figure 1. If the dishwasher is to be installed in a corner, there must be sufficient clearance to open the door as shown in Figure 2. A minimum clearance of 2" is recommended.

Rough-in the water, electrical, and drain lines before proceeding with installation. The lines should run straight to their connections on the dishwasher.

**Note:** Make sure that the lines do not cross in front of the dishwasher motor or its legs.

Figure 2



# GE Spacemaker® Under-the-Sink Dishwashers

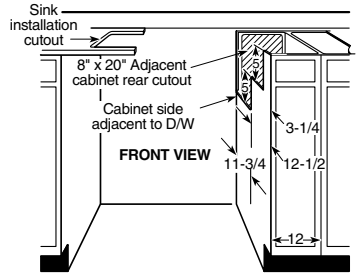
GE®	
ENERGY STAR®	
GSM2100GWW GSM2100GCC GSM2100GBB	
<b>Features</b>	
Wash levels	2
Food disposer	●
Cycles	5
Pots & Pans	●
Normal Wash	●
Short Wash	Dial
Plate Warmer	Dial
Rinse Only	Dial
Options	12
Heated Dry	●
HotStart™	Dial
Racks, shelf & basket	
Upper rack	Spacemaker
Lower rack	Deluxe
Silverware basket	Deluxe
Control type	Turn-to-start
Cycle progress indicator	Dial
Pushbuttons	4
Hard countertop installation	GPF65
Optional heavy door spring	GPF100
Rinse aid dispenser	●
Steel door	●
Center throw door latch	●
<b>Quiet</b>	
PermaTuf® tub and door liner	●
QuietPower™ motor	●
<b>Appearance</b>	
Colors available*	WW, CC, BB
Color panels—door & access	Trimless
<b>Weights &amp; Dimensions</b>	
Height w/legs retracted (in.)	34
Overall width (in.)	24
Overall depth (in.)	25-3/4
Approx. shipping weight (lbs.)	72
<b>Accessories</b>	
Requires kit for 1/4" panel capability with trim	GPF325W/C/B
Requires kit for trimless 3/4" panel capability	GPF375

\*Colors available: WW = White on white, CC = Bisque on bisque, BB = Black on black.

**Note:** Under-the-sink dishwashers can be installed under GE cooktop models JP201C and JP202D. Refer to cooktop installation instructions.



## Cabinet Cutout for Sink (in inches)



Cabinet cutouts for offset single and double bowl sinks. Dishwasher not provided with complete enclosure. Enclosures for sides, top, bottom, and back must be provided by installer at time of installation.

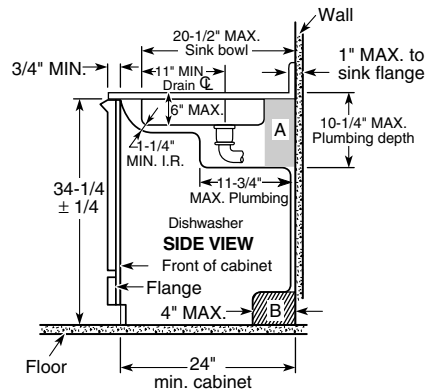
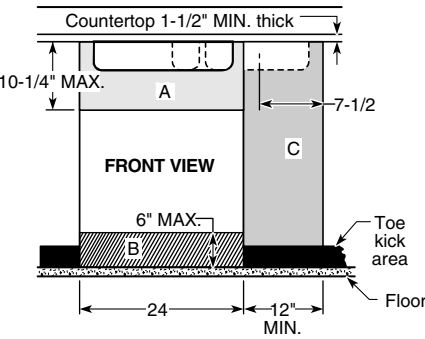
## Stainless Steel Sinks Single- and Double-Bowl Models Dimensions (in inches)

Model Number	Overall Size		Inside Each Compartment		
	L	W	L	W	D
GPF95 (Single Bowl, R)*	25	21-1/4	21	15-3/4	5-3/8
GPF96 (Single Bowl, L)*	25	21-1/4	21	15-3/4	5-3/8
GPF97 (Double Bowl)	33	21-1/4	14	15-3/4	5-3/8

Model Number	Cutout In Countertop 1-1/2" Radius Corners		No. Of 1-1/2" Dia. Faucet Holes	Ship. Wt. Lbs.
	L	W		
GPF95 (Single Bowl, R)*	24-3/8	20-5/8	3 or 4**	10
GPF96 (Single Bowl, L)*	24-3/8	20-5/8	3 or 4**	10
GPF97 (Double Bowl)	32-3/8	20-5/8	3 or 4**	12-1/2

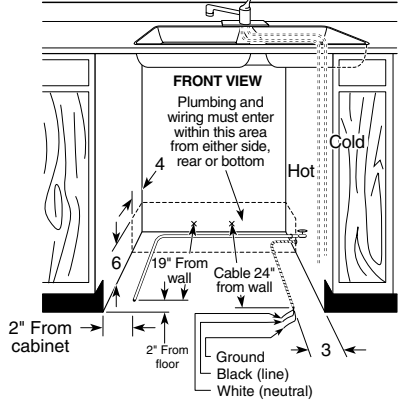
**Note:** Drain opening size is 3-1/2". Above models are fully sound deadened. \*Suffix "L" or "R" means drain outlet is located in upper left or right corner of sink compartment. \*\*All have four holes, but one hole has a removable plug.

## Cabinet Rough-In (in inches)



Either single- or double-bowl sink may be used, centered or offset, as shown in the front illustration above. The 20-1/2" max. dimension from wall to front of sink bowl must be accurate if dishwasher is to fit properly under sink. Water lines to sink faucet and drain from sink can be run through area "A". HOT WATER line to dishwasher is installed in area "B". Garbage disposer, water lines to faucet, trap, waste air gap and water cut-off valve are installed in 12" wide cabinet shown in area "C". Sink opening for garbage disposer must be dimensioned as shown in front view, area "C" above (7-1/2"). This will provide clearance for disposer and plumbing in cabinet "C" when using double bowl sink. If the sink bowl is more than 20-1/2" max. specified distance from the wall, or if the base cabinet is less than the 24" min. depth from the wall, a gap between the tub front flange and the front of the base cabinet may result.

## Plumbing/Electrical Rough-In (in inches)



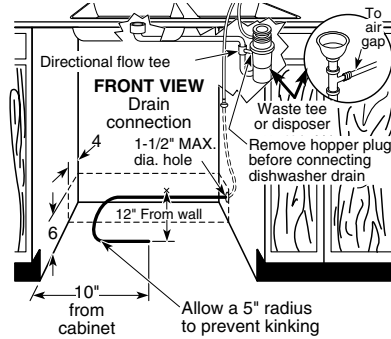
**Plumbing:** Hot Water Only: Use 3/8" O.D. copper tubing or 1/2" O.D. plastic tubing min. inlet line. Water valve has 3/8" internal threads. Hand cut-off valve is recommended.

**Electrical:** Fuse circuit with 15 amp or 20 amp standard fuse or circuit breaker. Total amp load is 6.2. Dishwasher operates on 120V, 60 Hz power. Two-wire cable (14 ga. min.) with ground must be installed.

**Note:** All rough-in, both plumbing and electrical, must be completed before the dishwasher is installed. All plumbing and electrical work must be in accordance with local codes.

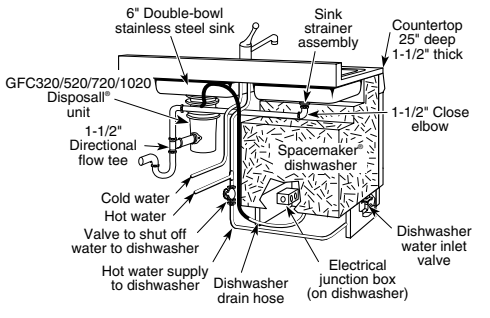
**Specifications:** Inlet Water Temperature Recommended: Minimum 120°F at dishwasher. Inlet Water Pressure Required: 15 to 120 lbs./sq. in.

## Rough-In for Installation with Disposer (in inches)



A close-fitting elbow or special shallow sink strainer is necessary to provide clearance between sink drain and dishwasher. Dishwasher furnished with 1/2" I.D. drain hose, 78" long. If using copper tubing, 2" length of 1/2" I.D. rubber hose must be provided to connect copper tubing to pump outlet. Disposer should have 7/8" I.D. dishwasher drain connector.

## Rear View Plumbing Arrangement (in inches)



# Dishwasher Accessories

## Side Panel for All GE Models:

Contains one panel and adjustable toe-kick for end cabinet installation of built-in model. Does not attach to dishwasher. Specify color: GPS5WW—White, GPS5CC—Bisque

## Wood Panel Capability:

**Model: GSM1800.**

GPF18W/B—1/4" panel trim kit

**Models: GSD2600, GSC3200 and GSM2100.**

GPF325W/C/B—1/4" panel trim kit (door and access)

GPF375—3/4" panel trim kit (door and access [GPF100 heavy-duty spring kit included])

NOTE: W = White, C = Bisque, B = Black

**Models: GSD5500, GSD4000, GSD3400 and GSC3400.**

GPF425W/C/B—1/4" panel trim kit (door and access)

GPF475—3/4" panel trim kit (door and access [GPF100 heavy-duty spring kit included])

**Model: PDW8700, GSD6600, GSD6200 and GSD6100.**

GPF825W/C/B—1/4" panel trim kit (door)

GPF875W/C/B—3/4" panel trim kit (door)

## Spacemaker Dishwasher Accessories:

**Model: GSM2100.**

GPF95—Stainless sink for Spacemaker dishwasher—single bowl 21-1/4" x 25". Drain hole on right; elbow and strainer included

GPF96—Stainless sink for Spacemaker dishwasher—single bowl 21-1/4" x 25". Drain hole on left; elbow and strainer included

GPF97—Stainless sink for Spacemaker dishwasher—double bowl 21-1/4" x 33". Elbow and strainer included

## Optional Dishwasher Accessories:

GPF65—Brackets for under non-wood countertop installation

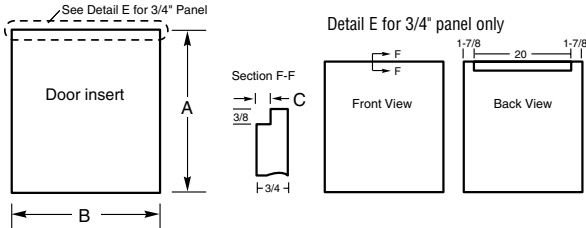
GPF100—Heavy spring kit for custom door panel weighing more than 4 lbs. (Triton and Nautilus only)

GPF410S/W/C/B—Trimless panel kit for electronic models

GPF310W/C/B—Trimless panel kit for pushbutton models

## Wood Insert Cutout Dimensions (in inches)

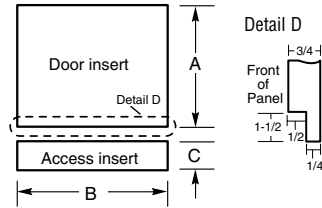
Kits: GPF18W/B, GPF825 and GPF875



Kit	A	B	C	Panel Thickness
GPF18W/B	22-3/16	17-3/16	N/A	1/4
GPF825	25-1/16	23-1/2	N/A	1/4
GPF875	25-7/16	23-3/4	1/4	3/4

## Wood Insert Cutout Dimensions (in inches)

Kits: GPF325, GPF375, GPF425 and GPF475



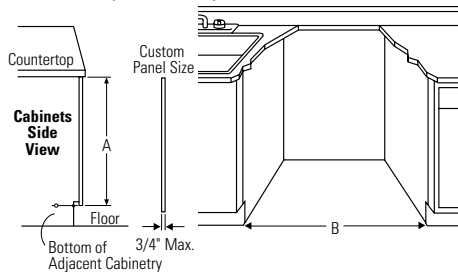
Kit	A	B	C	Panel Thickness
GPF325	18-7/8	23-9/16	3-11/16	1/4
GPF375	18-15/16	23-5/8*	3-3/4 to 4-1/4**	3/4
GPF425	19-3/4	23-9/16	3-11/16	1/4
GPF475	19-7/8	23-5/8*	3-11/16 to 4-1/4**	3/4

\* Bottom of panel must be notched 1-1/2" x 1/2" to clear access panel. (See illustration above)

\*\* Adjustment required to match adjacent cabinet fronts due to leveling adjustment, 4" nominal.

## Custom Panel for Model PDW9700JII

Dishwasher requires custom panel.



The most common panel dimensions are 30-1/4"H and 23-3/4"W.

### STEP A: Determine custom panel height

1. Measure Dimension A from underside of countertop to bottom of adjacent cabinets.
2. Subtract 1/4". This allows a 1/4" clearance gap between the underside of the countertop and the top of the dishwasher door.

Height is equal to A minus 1/4"

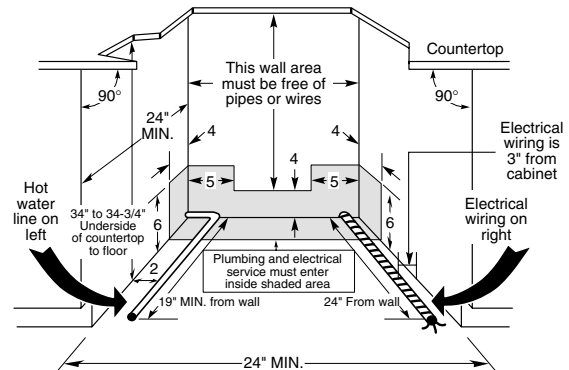
### STEP B: Determine custom panel width

1. Measure dimension B, the rough opening width.
2. Subtract 1/4" for clearance (1/8" on each side).

Width is equal to B minus 1/4"

**Note:** 23-1/8" min. panel width and 26-1/4" min. panel height are required to cover the door frame. Panel height varies depending on installation. Consideration must be given to door swing clearance above the toe-kick.

## GE Profile and GE Dishwashers Installation Information (in inches)



## Dishwasher Rough-In Information

**Note:** Dishwasher must not be installed more than ten feet from sink for proper drainage. All plumbing and electrical work must be in accordance with local codes.

**Note:** If a flush look is needed, a 25" base cabinet needs to be used (except Profile and Triton XL models).

The power cord and connections must comply with the National Electrical Code Section 422 and/or local codes and ordinances. The cord must be no longer than six feet from the junction box to the receptacle.



# GE Disposal® — Food Waste Disposer

Features	GE® Continuous Feed								Batch Feed
	GFC1020F	GFC720F	GFC530F	GFC535F	GFC520F	GFC525F	GFC320F	GFC325F	GFB760F
Motor horsepower	1	3/4	1/2	1/2	1/2	1/2	1/3	1/3	3/4
Control method	Wall switch	Wall switch	Wall switch	Wall switch	Wall switch	Wall switch	Wall switch	Wall switch	Stopper
Feed type	Continuous	Continuous	Continuous	Continuous	Continuous	Continuous	Continuous	Continuous	Batch
Power connection	Direct wire	Direct wire	Direct wire	Line cord	Direct wire	Line cord	Direct wire	Line cord	Direct wire
Impellers									
Dual-swivel	•	•	•	•	•	•	•	•	•
Jam resistant	•	•	•	•	•	•	•	•	•
Stainless steel	•	•	•	•	•	•	•	•	•
Armature shaft material	Cold-rolled carbon steel	Cold-rolled carbon steel	Cold-rolled carbon steel	Cold-rolled carbon steel	Cold-rolled carbon steel	Cold-rolled carbon steel	Cold-rolled carbon steel	Cold-rolled carbon steel	Cold-rolled carbon steel
Grinding speed (RPMs)	2,800	2,700	2,600	2,600	2,600	2,600	1,900	1,900	2,700
Capacity	Super	Super	Extra-large	Extra-large	Large	Large	Large	Large	Super
Mounting type	EZ-Mount	EZ-Mount	EZ-Mount	EZ-Mount	EZ-Mount	EZ-Mount	EZ-Mount	EZ-Mount	EZ-Mount
Turntable material	Stainless	Stainless	Stainless	Stainless	Galv. steel	Galv. steel	Galv. steel	Galv. steel	Stainless
Two-level precutter	•	•	•	•	•	•	•	•	•
Stainless steel sink flange	•	•	•	•	•	•	•	•	•
Manual reset overload protector	•	•	•	•	•	•	•	•	•
Splash guard	•	•	•	•	•	•	•	•	•
Sink stopper	•	•	•	•	•	•	•	•	•
Dishwasher drain connector	•	•	•	•	•	•	•	•	•
Drain elbow	•	•	•	•	•	•	•	•	•
<b>Quiet</b>									
Sound insulation package	QuietPower™ III	QuietPower II	QuietPower I	QuietPower I	Standard	Standard	Standard	Standard	QuietPower II
<b>Weights &amp; Dimensions</b>									
Approx. shipping weight (lbs.)	14.9	12.45	9.6	9.9	8.8	9.1	8.4	8.7	13.75
Net weight (lbs.)	13.2	10.7	8.05	8.35	7.8	8.1	7.4	7.7	11
Dishwasher inlet diameter (in.)	1	1	1	1	1	1	1	1	1
Drain outlet diameter (in.)	1-1/2	1-1/2	1-1/2	1-1/2	1-1/2	1-1/2	1-1/2	1-1/2	1-1/2
<b>Power Ratings</b>									
Volts, Hertz, Amps	120; 60; 7.0	120; 60; 6.0	120; 60; 4.5	120; 60; 4.5	120; 60; 4.5	120; 60; 4.5	120; 60; 4.0	120; 60; 4.0	120; 60; 6.0
<b>Warranty*</b>									
One-year full replacement							•	•	
One-year full replacement plus One-year limited replacement					•	•			
One-year full replacement plus Two-year limited replacement			•	•					
One-year full replacement plus Four-year limited replacement		•							•
One-year full replacement plus Six-year limited replacement	•								

\*See written warranty for details.

## Disposer Accessories:

Colored sink flanges

**GPF76**—White

**GPF78**—Bisque

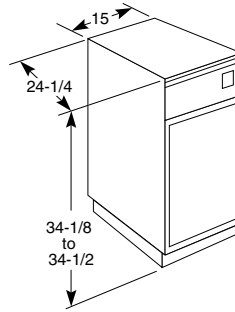
# Built-In Compactors

<b>GE Profile™</b>	
<b>GCG1540FSS, GCG1530FWW, GCG1550FCC, GCG1520FBB</b>	
<b>Features</b>	
Cycle time	27 seconds max., 14 seconds min.
Drive system	2-Point
Motor horsepower	1/3
Compression ratio (average)	75% reduction of volume
Ram force (lb.) (max.)	2,300
Front level legs and rear wheels	●
Capacity	1.4 cu. ft.
Side release bin	●
Toe/foot pedal drawer opener	●
Lock/start control w/removable key	●
Automatic anti-jam	●
Slide-out drawer	●
<b>Appearance</b>	
Color appearance*	SS, WW, CC, BB
Color-matched	●
Heavy-gauge steel construction	●
1/4" panel capability	●
<b>Weights &amp; Dimensions</b>	
Total shipping weight (lbs.)	152
Total appliance weight (lbs.)	141
Overall height (in.)	34-1/8 to 34-1/2
Overall width (in.)	15
Overall depth (in.)	24-1/4
Cutout dimensions H x W x D (in.)	34-1/4 x 15-1/8 x 24-3/4
Clearance for drop-down drawer side	6" or more on right side
Drawer extension for removal	23" or more in front of appliance
Custom panel size H x W (in.)	23-15/16 x 14-5/8
<b>Accessories</b>	
Compactor bags (5 included)	WC60X5017
<b>Warranty</b>	
Full one-year warranty**	●

\*Colors available: SS = Stainless steel, WW = White on white, CC = Bisque on bisque, BB = Black on black.

\*\*See written warranty for details.

## Compactor Dimensions (in inches)



## Compactor Accessories:

New 1/4" panel trim kits (color-matched)

**GPF82S**—Stainless steel

**GPF82W**—White

**GPF82C**—Bisque

**GPF82B**—Black

# Answers that click!

GE puts everything you need at your fingertips.



**GE Appliances web site — 16 million visitors a year!**  
Visit us at [GEAppliances.com](http://GEAppliances.com)

Everything you need to know about GE products is here. Access up-to-date information, find out “what’s new,” obtain dimensions, get installation tips and more. Extremely user-friendly, this one-stop site lets you research by brand, category or model number and even buy online through a local GE dealer.

**GE Answer Center® saves you time. 800.626.2000**

This 24-hour-a-day, 7-day-a-week service provides answers on product features, installation, service and more.



## A Century of Quality and Innovation

For more than a century, GE has been committed to producing innovative products that change the way people live. The result of thorough research and rigorous testing, GE appliances are designed for years of dependable performance.

Today, the GE tradition of quality and innovation continues.

As an ENERGY STAR® partner, GE has determined that the appliances marked with the ENERGY STAR logo meet the ENERGY STAR guidelines for energy efficiency.

Before purchasing an appliance, read important information about its estimated annual energy consumption or energy efficiency rating that is available from your retailer or [GEAppliances.com](http://GEAppliances.com)

GE has a policy of continuous improvement of its products and reserves the right to change materials and specifications without notice.

**GE Consumer & Industrial**  
General Electric Company  
Louisville, KY 40225  
[ge.com](http://ge.com)

© 2004 GE Company  
Pub. No. 5-S074 PC38720