

Installation instructions for your new

Microwave Oven Built-In Trim Kit JX827BN, JX827WN, JX827SS, JX827CD

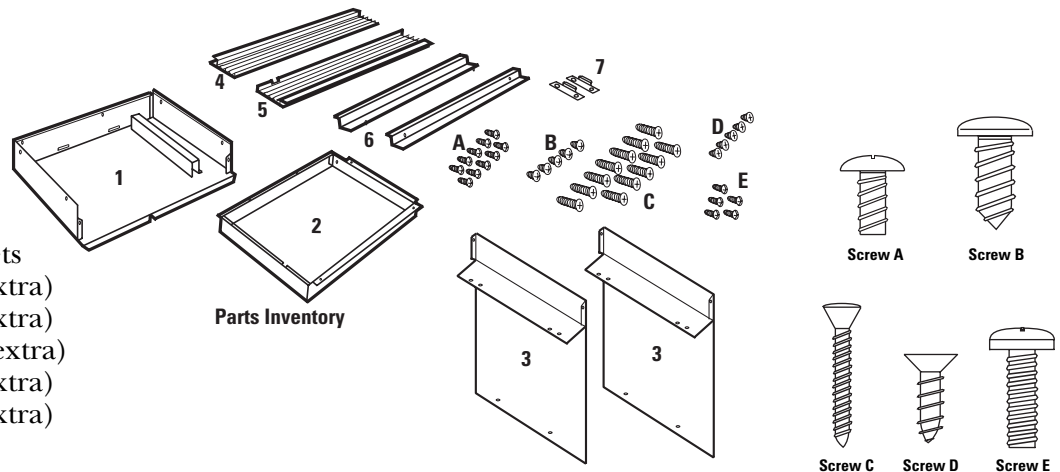
CAUTION:

- Before you begin—Read these instructions, Owner's Manual and Important Safety Instructions completely and carefully.
- This Kit is for use on models: JEM21K/L, JEM23K/L, JEM25L/GN/GV/GY/WW/WV/WY/BF/WF, JES833WY, JEM825K, JEM27KWH/LWH, JEM31L/M/GN/GV/GY/WW/WY/GA/WA/CA/BF/CF/WF/SF, JEM33L/M, JEM34M and ZEM200WN/WV/WY/GV/GY/SY/GW/WA/SA/GA/SF/BF/WF.
- This kit can be installed alone or over any General Electric/Hotpoint/RCA single electric wall oven.
- Do not alter or modify any part of this kit or the oven.
- Observe all governing codes and ordinances.
- Oven must be plugged into a properly grounded 3-hole, 120 volt receptacle as required by the National Electrical Code.
- Unplug the microwave oven before attempting installation of this kit.
- Save these instructions (for Local Inspectors and Future Reference).

Parts List

1. Base Pan
2. Rear Duct
3. Side Covers (2)
4. Top Trim
5. Bottom Trim
6. Side Trims
7. Rear Holddown Brackets

- Screws A (9 required 1 extra)
 B (4 required 1 extra)
 C (10 required 2 extra)
 D (4 required 1 extra)
 E (4 required 1 extra)



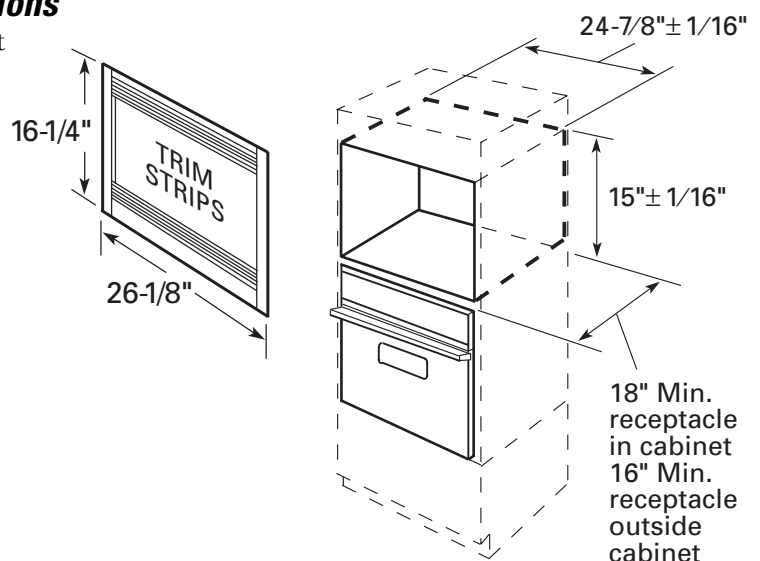
Note: This kit has extra screws to prevent technician from spending extra time locating a replacement in case they lose one during installation.

Cabinet Cutout Dimensions and Specifications

Allow 1-1/4" for overlap of the Microwave Oven Kit Trim over all the edges of the cutout for the Microwave Oven Kit.

WIDTH 24-7/8"±1/16"
HEIGHT 15"±1/16"

DEPTH
 16" Min. receptacle outside cutout
 18" Min. receptacle inside cutout
 120 volt—60 Hertz grounded power receptacle.



For Installation Above a Built-In Oven

Microwave oven should be installed on a 3/8" plywood base and supported by 2x4 or 1x2 equivalent runners on all sides. Base must be capable of supporting a minimum of 100 lbs.

Tools Needed

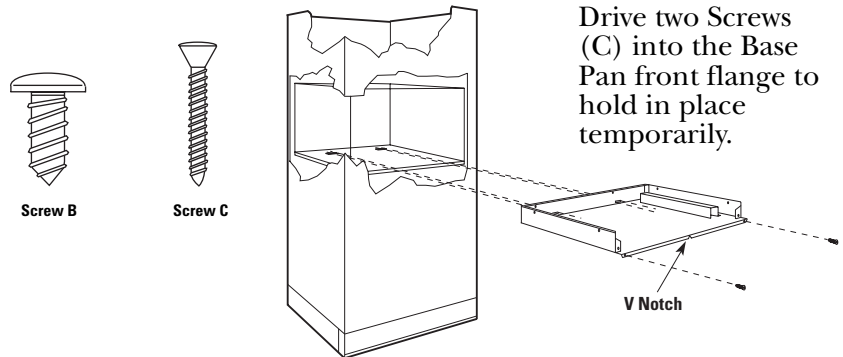
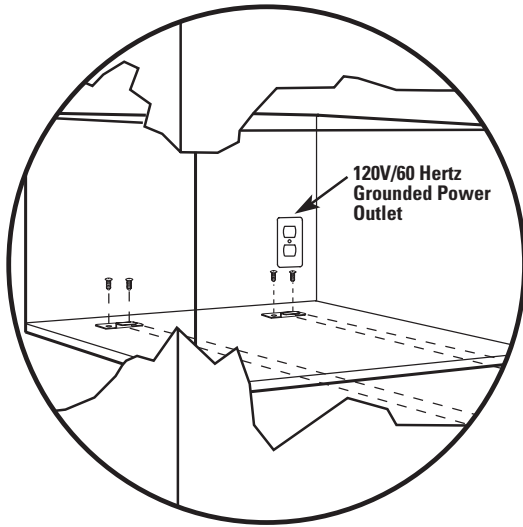
2 Phillips head screwdrivers (#1 & #2)
Drill and 3/32" drill bit
Centerpunch or nail
Pencil and ruler
Knife

Installation Procedure

Step 1

Locating and Installing Rear Holddown Supports

Set Base Pan (1) into the front cabinet microwave oven cutout and center it right and left. Push back until front flange is against cabinet front wall. Use the V-notch in the Base Pan front flange to center the Base Pan. Bore two 3/32" diameter holes into the wooden cabinet base front edge



using the two holes in the Base Pan front flange as your guide (center the drill in the base holes keeping the front flange centered and tight against the cabinet front wall).

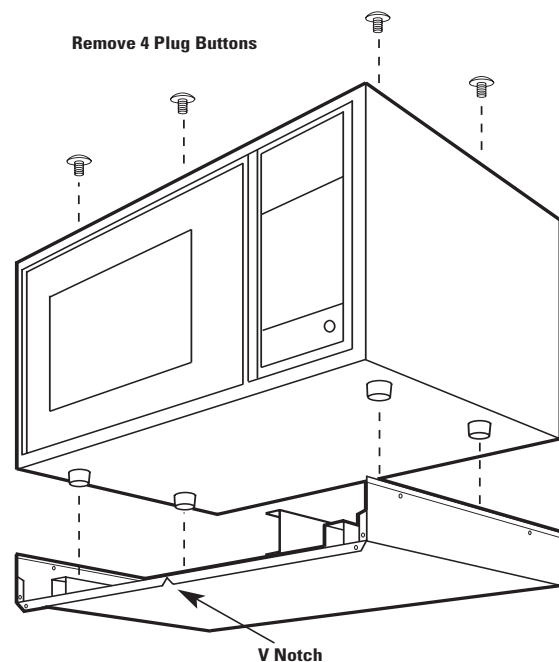
Slide the two Rear Holddown Brackets (7) from the rear into the slots in the Base Pan. The tongues of the Rear Holddown Brackets should be sticking into the base, be centered in the slot, and be into the slot as far as it will go. Mark and drill four 3/32" diameter holes. Mount the Rear Holddown Brackets using four Screws (B). Both Rear Holddown Bracket tongues should now be centered in the slotted holes in the base and be into the base as far as they can go.

Remove the two screws in the Base Pan front flange and slide the Base Pan straight out.

Step 2

Installation of Base Pan

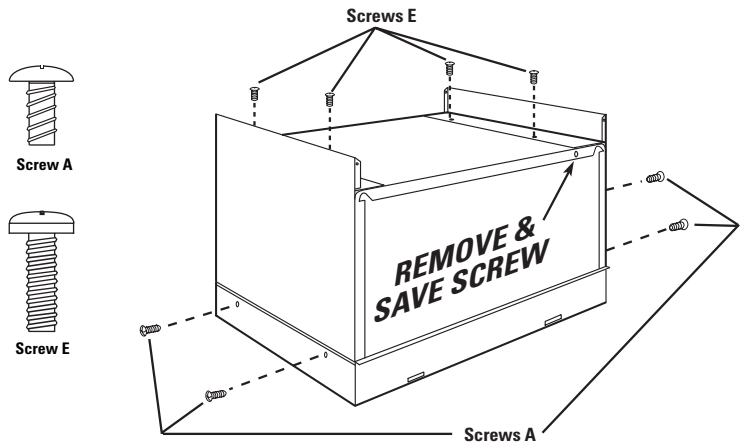
Disconnect microwave oven from receptacle. Remove everything out of the microwave oven (packing, glass shelf, temperature probe, Use & Care books). Remove the four top plug buttons from the top of the Microwave Oven cabinet. Use knife to pry up plug buttons using care not to scratch the microwave oven. A clear protective film has been applied to some microwave oven cabinets. If applied, remove the film. Place the microwave oven on the base pan (1) centered left to right.



Step 3

Installation of Side Cover

Install Side Covers by inserting the Side Cover (3) bottom between the oven and the side of the Base Pan. Drive two Screws (A) through the Base Pan into the Side Cover bottom. Drive two Screws (E) through the Side Cover into the microwave oven holes where the microwave plug buttons were removed. Be sure the side covers are tight against the sides of the microwave oven (the trim frame screws will not align unless the side covers are tight against the microwave oven). Complete side covers installation by installing both side covers. Remove the screw located on the top left back of the microwave oven cabinet. Save and replace it when installing the rear duct.

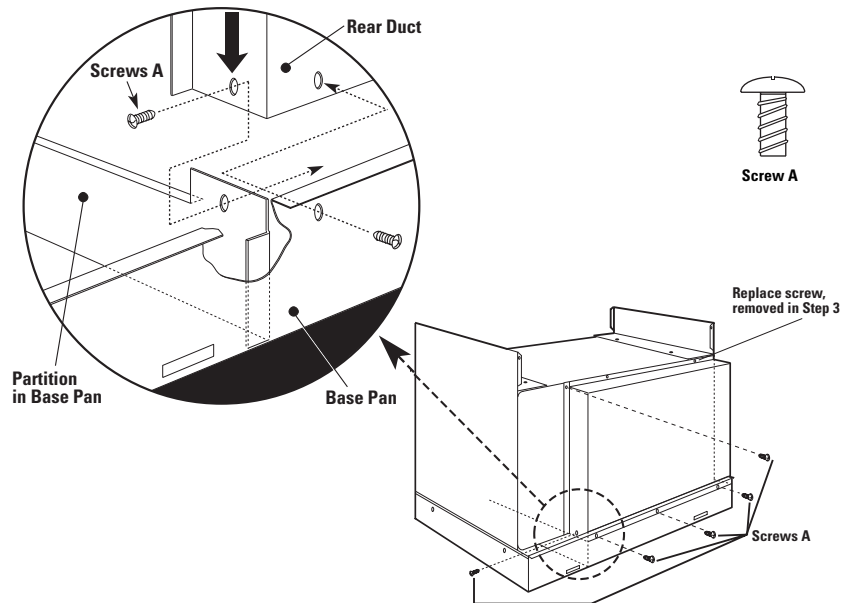


CAUTION: Start all screws in Steps 3 & 4 before tightening any one screw.

Step 4

Installation of Rear Duct

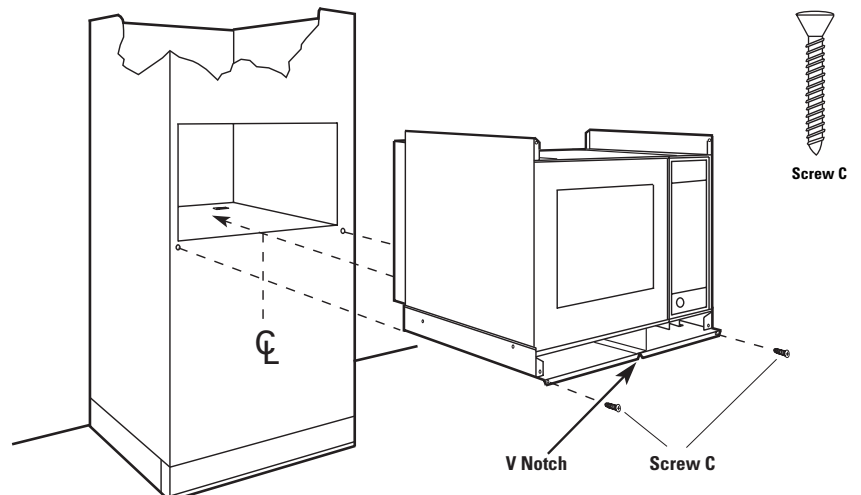
Install Rear Duct by inserting the Rear Duct (2) bottom flange between the oven and the back of the Base Pan. The Rear Duct should be as far to the left as possible. The Rear Duct back must go between the Base Pan back flange and the partition on the right side. Drive one screw (A) through the rear duct into the partition in the Base Pan. Drive one screw (A) into the rear duct side flange near the lamp cover. Drive three screws through the Base Pan into the rear duct bottom. Replace the screw removed from the top left to complete the rear duct installation. The Base Pan should be completely sealed to the microwave oven in the back and all screws installed in Steps 3 & 4 tightened.



Step 5

Installation of the Microwave Oven

Plug the power cord into the wall receptacle. Slide the microwave oven assembly gently into the cabinet using care not to pinch the power cord, and to keep it centered as it slides back to where the holddown bracket's tongue goes through the rear slots. The unit should now be centered right to left in the opening and the Base Pan front flange tight against the cabinet. Drive two screws (C) through the Base Pan front flange into the holes initially drilled.



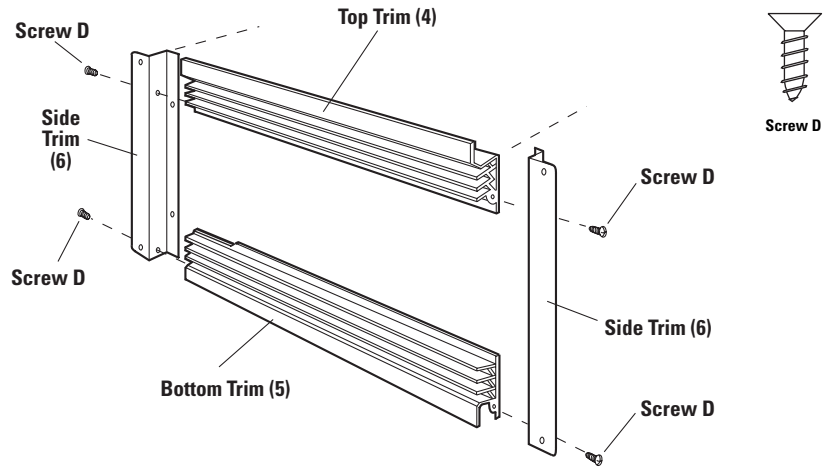
Step 6

Assembling the Trim Kit Frame

Assemble Top Trim (4), Bottom Trim (5) and Side Trims (6) shown with the #6 x 1/2"L flat head thread-forming screws (D). Fasten through holes in the Trim Kit Sides (6) as shown.

CAUTION: After assembly, top, bottom and side strips must be flush.

Note: Bottom Trim (5) has a hinge notch and is not interchangeable with Top Trim (4).



Step 7

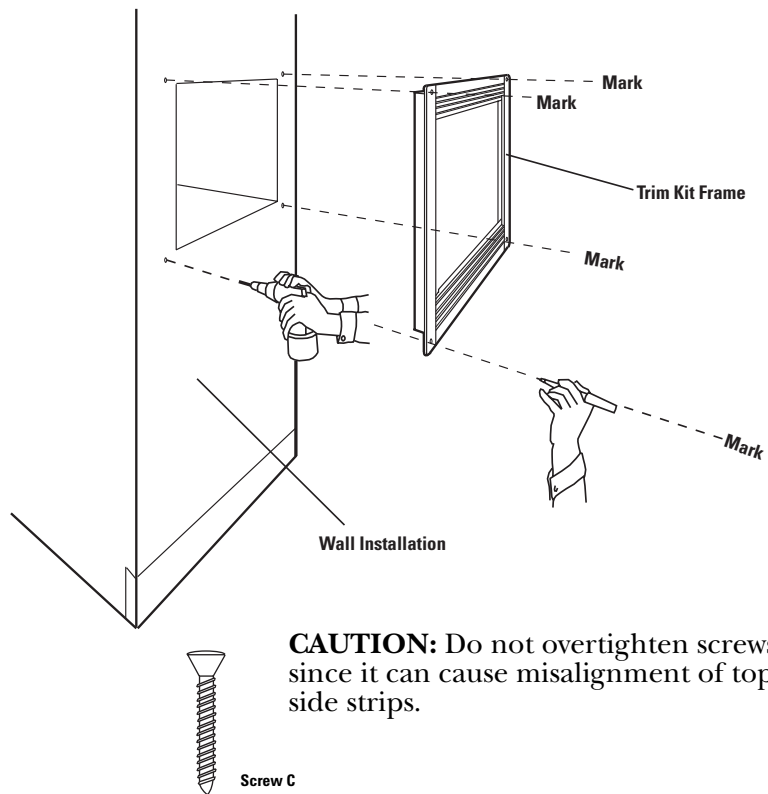
Installing the Trim Kit Frame

1. Using the assembled Trim Kit Frame as a template (and with the microwave oven in position and secured), insert the Trim Kit Frame into the cutout and locate the attaching holes. Temporarily hold the Trim Kit Frame in place by starting the four screws that attach the trim kit frame to the Base Pan and Side Covers. Push the Trim Kit Frame as far to the left as possible driving the four inside screws into Base Pan and Side Cover. **Be sure the door clears the trim when open.** Mark the four holes on the side trim.

2. Remove the Trim Kit Frame.

3. Center punch and drill 3/32" dia. pilot holes per their hole center marks for the mounting screws.

4. Position the assembled Trim Kit Frame around the Oven and secure it with 8 screws (C). Use the smaller Phillips head screwdriver (#1) to prevent burring the Phillips head.



CAUTION: Do not overtighten screws since it can cause misalignment of top/side strips.