

HOTPOINT



Value and Dependability

1997-1998

\$10



Hotpoint appliances are a good choice when value and affordability are paramount. Hotpoint offers a wide choice of products combining flexibility, convenience and strong value with a recognized brand name. From more traditional styling to dependable features, Hotpoint brings a practical approach to the kitchen.

HOTPOINT

For the long run.

Refrigeration..... 4-5

- Side-by-sides 6-7
- Top-mounts 8-13
- GE Cycle defrost..... 14
- GE Manual defrost 14
- GE Spacemaker™ models 15
- GE Upright freezers..... 16
- GE Chest freezers..... 17
- Specifications..... 18-21

Washers and dryers

- Super and Extra-large capacity washers 22
- Extra-large and Large capacity dryers..... 23
- GE Spacemaker® washers and dryers 24
- Specifications..... 25-28

Free-standing ranges

- Electric**..... 29
 - 30" ranges 30-33
 - Specialty application ranges 34
 - Specifications..... 35-36
- Gas** 37
 - 30" ranges 38-43
 - Compact ranges..... 44
 - Specifications..... 45-47

GE Hoods 48

- Specifications 49

Microwave ovens

- Counter Saver Plus™ 50-51
- GE Turntable 52-53
- GE Spacemaker II™ 54
- GE Subcompact 55
- GE Value Line..... 55
- Specifications..... 56-57

Dishwashers..... 58-59

- GE Spacemaker® undersink 60
- GE Convertible 60
- Specifications..... 62-64

GE Disposers and GE Compactors 61

- Specifications..... 65

GE Room air conditioners

- GE - "J" Series Built-ins 66
- Premium, Deluxe and Value Lines..... 67-68
- Dehumidifiers 68
- Slide-Aire 68
- Specifications 69-70

Warranties 71

Consumer Services..... Back cover

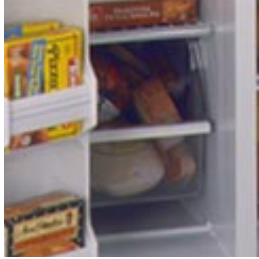
Side-by-side refrigerators

Side-by-side refrigerators

Hotpoint Side-by-side refrigerators are available with a variety of convenient extras, including gallon storage on the door, to fit a range of food storage needs.



One Touch! ice dispenser
Exterior ice and water service responds to a mere touch delivering crushed ice—the new rounded-shape cubed ice designed for a better fit—or chilled water to your glass.



Slide-out freezer storage bin
Allows for easy loading and unloading of bulk purchases.



Adjustable compartment shelves
Cabinet shelves in fresh food and freezer compartments adjust for storage flexibility.



Vegetable/fruit crispers
Adjustable humidity keeps fruits and vegetables fresher longer.



Extra-deep adjustable door bins
Deep door bins hold gallon containers and six-packs in the fresh food compartment.



Adjustable temperature meat pan
Helps maintain proper temperature to keep meats and deli items fresh longer.



Spill proof glass shelves
Help contain spills for ease of cleaning.



CSX25DRZ

Top-mount refrigerators

Hotpoint Top-mount no-frost refrigerators have a wide range of capacities with a variety of new features, including gallon door storage, allowing for the greatest in food storage flexibility and convenience.



CTX21DIZ



Fixed gallon door storage
Provides storage for gallon containers, six-packs and other large fresh food items; in the freezer, storage for large, bulky items.



Twin crisper system
Controls storage conditions with two different humidity levels to keep foods fresh.



Spill proof glass shelves
Help contain spills for ease of cleaning.



Snack pan
Excellent for rewrapped meats, cheese, hors d'oeuvres, pudding and other snacks.



Full-width freezer shelf
Provides maximum convenience and flexibility in storing frozen food items.



Dairy compartment
Convenient counter balanced door covers butter and cheese to keep unwanted odors away.



Nice Cubes™ Icemaker
Provides rounded-shape ice, designed for better fit into a glass, reducing "damming" or ice clogging as you drink a beverage.

Not all features available on all models.

Side-by-side refrigerators



CSX25DRZ



CSX20BAX



Create a custom look

Create a stylish, custom look for your new Hotpoint refrigerator with Panel Kits. It's an exciting way to express your individual tastes and preferences, while complementing kitchen decor.

Side-by-side refrigerators



CSX22GAZ



CSX19LAX

Side-by-side dispenser refrigerators

Discover the convenience of custom dispensing crushed ice, cubes or chilled water—directly through the door!



CSX25DRZ

- 25.2 cubic foot capacity
- 9.32 cubic foot freezer
- OneTouch! dispenser
- Adjustable fresh food gallon door storage
- Spill proof adjustable glass fresh food cabinet shelves
- Adjustable temperature meat pan
- Adjustable humidity vegetable/fruit crisper

CSX22GRZ (not shown)

- Similar features and appearance as CSX25DRZ except 21.7 cubic foot capacity.
- Fixed gallon door storage
- Adjustable, glass fresh food shelves

CSX22GAZ

- 21.7 cubic foot capacity
- 6.79 cubic foot freezer
- Adjustable glass fresh food cabinet shelves
- Adjustable humidity vegetable/fruit crisper
- Adjustable temperature meat pan

Side-by-side non-dispenser refrigerators



All models equipped for Nice Cubes™ Icemaker (Kit IM3)

CSX20BAX

- 19.7 cubic foot capacity
- 6.79 cubic foot freezer
- Adjustable wire Everwhite fresh food cabinet shelves
- Classic white vegetable/fruit crispers
- Fixed fresh food gallon door storage
- Equipped for optional automatic icemaker

CSX22BCX (not shown)

- Similar features and appearance as CSX20BAX except 21.7 cubic foot capacity and includes cube only One Touch! dispenser.

CSX19LAX

- 19.4 cubic foot capacity
- 6.70 cubic foot freezer
- Wire Everwhite fresh food cabinet shelves
- Classic white vegetable/fruit crisper and wire trivet
- Equipped for optional automatic icemaker

Not all features available on all models. For additional features, specifications and color availability, refer to page 18. For warranty information, refer to page 71.

Top-mount refrigerators



CTX21DIZ



CTX21EAZ



CTX18GAZ



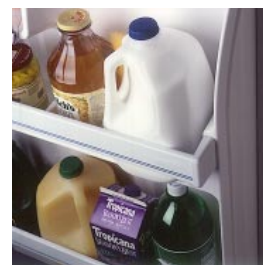
CTX21BAX



CTX18EAZ

Deep-door storage

Deep door shelves hold gallon containers and six-packs in the fresh food compartment; in the freezer, they store larger frozen food containers.



Spill proof glass shelves

Help contain spills for ease of cleaning.

CTX21BAX

- 20.6 cubic foot capacity
- 6.30 cubic foot freezer
- Two full-width wire Everwhite fresh food cabinet shelves
- Three fresh food door shelves
- Two classic white vegetable/ fruit crispers
- Equipped for optional automatic icemaker

CTX21BIX (not shown)

- Similar features and appearance as CTX21BAX except is equipped with factory-installed Nice Cubes™ Icemaker

CTX18GAZ

- 18.2 cubic foot capacity
- 5.13 cubic foot freezer
- Fixed gallon fresh food and freezer door storage
- Two full-width glass fresh food cabinet shelves

CTX18GIZ (not shown)

- Similar features and appearance as CTX18GAZ, except is equipped with factory-installed Nice Cubes™ icemaker

CTX18EAZ

- 18.2 cubic foot capacity
- 5.13 cubic foot freezer
- Fixed gallon fresh food and freezer door storage
- Two full-width wire Everwhite fresh food cabinet shelves
- See-thru vegetable/fruit crispers

CTX21DIZ

- 20.6 cubic foot capacity
- 6.30 cubic foot freezer
- Three fresh food door shelves, two with gallon door storage
- Two split, one full-width spill proof glass shelves
- Two see-thru vegetable/fruit crispers
- Factory-installed Nice Cubes™ Icemaker

CTX21DAZ (not shown)

- Similar features and appearance as CTX21DIZ except is equipped for optional automatic icemaker

CTX21EAZ

- 20.6 cubic foot capacity
- 6.30 cubic foot freezer
- Two full-width wire Everwhite cabinet shelves
- Fixed fresh food and freezer gallon door storage
- Two see-thru vegetable/fruit crispers
- Equipped for optional automatic icemaker

Not all features available on all models.

For additional features, specifications and color availability, refer to page 19. For warranty information, refer to page 71.

Top-mount refrigerators



CTX18BAX



CTX18LYZ



CTX17BAZ

Top-mount refrigerators



CTX18CIZ

Top-mount refrigerators equipped for optional automatic icemaker

Models equipped for optional automatic icemaker let you provide continuous icemaking now, or add it later.



CTX18BAX

- 18.2 cubic foot capacity
- 5.13 cubic foot freezer
- Two classic white vegetable/fruit crispers
- Two full-width wire Everwhite fresh food cabinet shelves

CTX18CIZ

- 18.2 cubic foot capacity
- 5.13 cubic foot freezer
- One full-width classic white vegetable/fruit crisper
- Two full-width wire Everwhite fresh food cabinet shelves
- Factory-installed Nice Cubes™ icemaker

CTX18CAZ (not shown)

- Similar features and appearance as CTX18CIZ except is equipped for optional automatic icemaker

CTX18LYZ

- 17.6 cubic foot capacity
- 4.0 cubic foot freezer
- Three full-width wire Everwhite fresh food cabinet shelves
- Color-matched, recessed handles



Arrange wire Everwhite shelves for day-to-day needs; then adapt as storage needs change.

CTX17KAZ

- 16.9 cubic foot capacity
- Two full-width glass adjustable shelves
- Two classic white vegetable/fruit crispers

CTX17BAZ

- 16.9 cubic foot capacity
- 3.86 cubic foot freezer
- Two full-width wire Everwhite fresh food cabinet shelves
- Two classic white vegetable/fruit crispers

Bottom-mount refrigerator



TCX22ZAX



TCX22ZAX

GE Refrigerator with bottom-mount freezer

A versatile, bottom-mount refrigerator that puts the fresh food compartment right at eye level.

TCX22ZAX

- Bottom-mount freezer refrigerator
- 21.7 cubic foot capacity
- 6.51 cubic foot freezer
- Beverage rack
- Equipped for optional automatic icemaker
- Sealed snack pan
- 4 adjustable door bins
- Spill proof adjustable glass fresh food cabinet shelves
- Color-matched door handles

Not all features available on all models.

For additional features, specifications and color availability, refer to pages 18 and 19. For warranty information, refer to page 71.

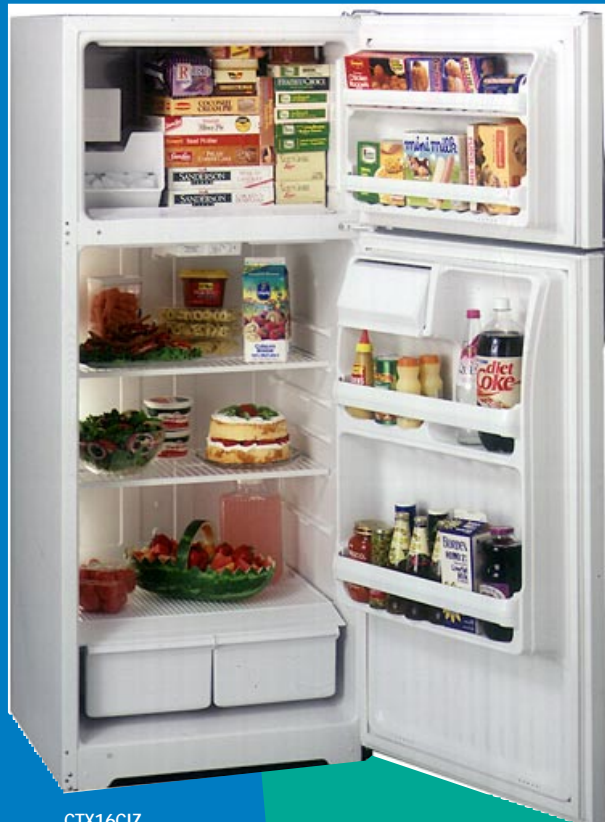
Top-mount refrigerators



CTX16EYZ



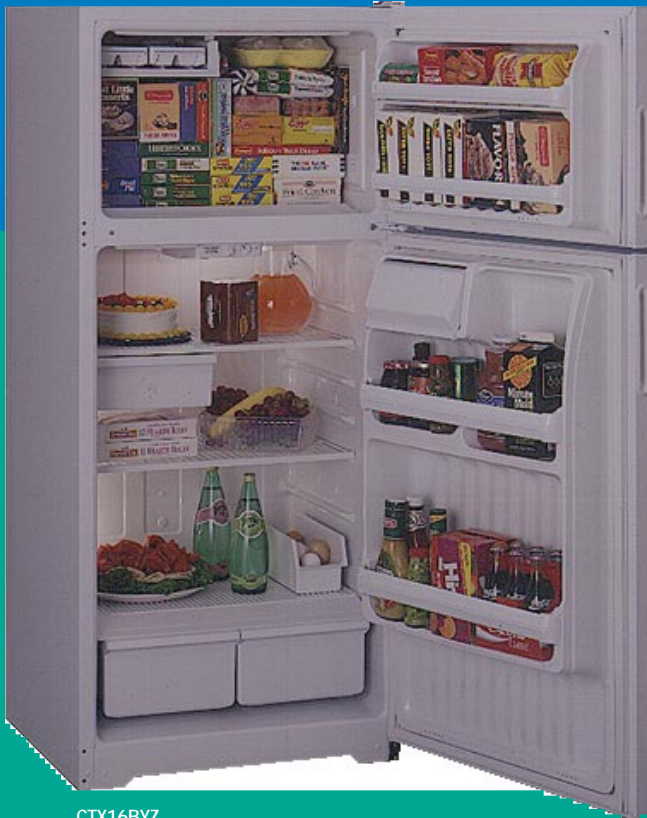
CTX16CYZ



CTX16CIZ



TBX12SAX



CTX16BYZ



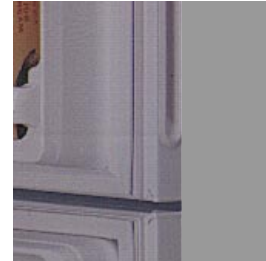
TBX10SNX



CTX16EYZ

Recessed handles

Color-matched recessed door handles reflect the latest in European design and appearance.



Top-mount refrigerators

CTX16CIZ

- 16.4 cubic foot capacity
- 3.86 cubic foot freezer
- Two full-width wire Everwhite fresh food cabinet shelves
- Tall bottle door storage
- Factory installed Nice Cubes™ icemaker

CTX16CAZ (not shown)

- Similar features and appearance as CTX16CYZ except is equipped for optional automatic icemaker.

CTX16EYZ

- 15.6 cubic foot capacity
- 3.86 cubic foot freezer
- Two wire Everwhite fresh food cabinet shelves
- Fixed gallon and tall bottle door storage
- Color-matched, recessed door handles
- Equipped for optional automatic icemaker
- Two see-thru vegetable/fruit crispers

CTX14EYZ (not shown)

- Similar features and appearance as CTX16EYZ except 14.4 cubic foot capacity.

CTX16CYZ

- 16.4 cubic foot capacity
- 3.86 cubic foot freezer
- Two adjustable wire Everwhite fresh food cabinet shelves
- Tall bottle door storage
- Color-matched, recessed door handles
- Equipped for optional automatic icemaker

CTX14CYZ (not shown)

- Similar features and appearance as CTX16CYZ except 14.4 cubic foot capacity.

CTX16BYZ

- 15.6 cubic foot capacity
- 3.86 cubic foot freezer
- Tall bottle door storage
- Snack pan
- Color-matched, recessed door handles
- Equipped for optional automatic icemaker

CTX14CIZ (not shown)

- Similar features and appearance as CTX14CYZ except does not have recessed handles and is equipped with factory-installed Nice Cubes™ icemaker.

CTX14CAZ (not shown)

- Similar features and appearance as CTX14CYZ except does not have recessed handles and is equipped for optional automatic icemaker.

When space is limited, these refrigerators solve a host of food storage problems.

TBX12SAX

- 12.1 cubic foot capacity
- 3.0 cubic foot freezer
- Two full-width wire Everwhite fresh food cabinet shelves
- Two Ice 'N Easy trays
- Classic white interior

TBX10SNX

- 9.8 cubic foot capacity
- 2.33 cubic foot freezer
- Two full-width wire Everwhite fresh food cabinet shelves
- Two Ice 'N Easy trays
- Classic white interior

Not all features available on all models.

For additional features, specifications and color availability, refer to page 19. For warranty information, refer to page 71.

Cycle defrost refrigerators



TDX11SNY

GE Cycle defrost refrigerators

Provide automatic defrosting in the fresh food compartment and manual defrosting in the zero-degree freezer.

TDX11SNY

- 11.0 cubic foot capacity
- 2.4 cubic foot freezer
- 2 modular door bins, 2 stationary shelves
- Three adjustable wire Everwhite cabinet shelves
- Full-width vegetable/fruit crisper
- Full-width freezer shelf

TDX9SNY (not shown)

- 9.0 cubic foot capacity
- 2.4 cubic foot freezer
- 4 modular door bins, 1 stationary shelf
- Two adjustable wire Everwhite cabinet shelves
- Two mini Ice 'N Easy trays
- Full-width freezer shelf

Manual defrost refrigerator



TAX10SNX

GE Manual defrost refrigerator

Single-door model with short-term frozen food compartment.

TAX10SNX

- 9.6 cubic foot capacity
- .94 cubic foot compartment for short-term frozen food storage (not a zero-degree freezer)
- Two adjustable wire Everwhite cabinet shelves
- Full-width vegetable/fruit crisper

GE Spacemaker™ refrigerators

Sizes and capacities for every need—the family room, den, office, dorm or cabin; space-efficient models that bring surprising convenience to small places.



TAX6SNXWH/WW

TAX6SNXWH/WW

- 6.0 cubic foot capacity
- Two adjustable cabinet shelves
- Reversible door
- Available in white or woodgrain
- Optional black panel available, or match refrigerator to cabinets



TAX4SNYWH

TAX4SNYWH

- 3.7 cubic foot capacity
- Three full-width cabinet shelves
- Two door shelves
- Rounded door
- Reversible door
- Available in white only



TAX4ANXWN

TAX4ANXWN

- 3.7 cubic foot capacity
- Three cabinet shelves
- Two door shelves
- Available in woodgrain only



TAX2SNXWN

TAX2SNXWN

- 1.7 cubic foot capacity
- One cabinet shelf
- 1-1/2 door shelves with retaining rod
- Available in woodgrain only

For additional features, specifications and color availability, refer to page 20. For warranty information, refer to page 71.



FP21DX



FF20DX



FP9SX

Spacious GE Upright freezers from no-frost to compacts

Select from these quality uprights for ease in viewing frozen foods! A range of capacities handles your exact requirements.

FP21DX

- 20.7 cubic foot capacity
- Five cabinet shelves (1 adj.)
- Six door shelves
- Slide-out basket
- Temperature Monitor with audible alarm
- Lock with self-ejecting key

FP21SX (not shown)

- 20.7 cubic foot capacity
- Four cabinet shelves
- Six door shelves
- Drop-front bulk storage retainer
- Lock with self-ejecting key

FF20DX

- Frost-free
- 20.3 cubic foot capacity
- Five cabinet shelves
- Six door shelves
- Slide-out basket
- Temperature Monitor with audible alarm
- Lock with self-ejecting key

FP17DX (not shown)

- 17.0 cubic foot capacity
- Four cabinet shelves (1 adj.)
- Five door shelves
- Slide-out basket
- Temperature monitor with audible alarm

FF16DX (not shown)

- Frost-free
- 15.7 cubic foot capacity
- Four cabinet shelves
- Five door shelves
- Slide-out basket
- Temperature monitor with audible alarm

FP15SX (not shown)

- 15.2 cubic foot capacity
- Manual defrost
- Adjustable temperature control

FP14DX (not shown)

- 14.0 cubic foot capacity
- Four cabinet shelves (1 adj.)
- Five door shelves
- Slide-out basket
- Temperature monitor with audible alarm
- Lock with self-ejecting key

FP14SX (not shown)

- 14.0 cubic foot capacity
- Three cabinet shelves
- Five door shelves
- Drop-front bulk storage retainer
- Interior light
- Lock with self-ejecting key

FP12SX (not shown)

- 11.7 cubic foot capacity
- Three cabinet shelves
- Four door shelves

FP9SX

- 8.7 cubic foot capacity
- Four cabinet shelves
- Five door shelves

FP5DX (not shown)

- 4.8 cubic foot capacity
- Two cabinet shelves
- Three door shelves
- Bulk storage tray



Built-in lock with self-ejecting key

For additional features, specifications and color availability, refer to page 21. For warranty information, refer to page 71.



FH25DX



FH22DX



FH5DX

GE Chest freezers from compact to large-capacity models

For routine family needs, unexpected guests or changing schedules, there's a chest freezer to keep you prepared. Cook meals ahead and freeze; or take advantage of supermarket specials.

FH25DX

- 24.8 cubic foot capacity
- Three removable sliding baskets
- Temperature monitor with audible alarm
- Interior light
- Built-in lock with self-ejecting key

FH22DX

- 21.7 cubic foot capacity
- Two removable sliding baskets
- Temperature monitor with audible alarm
- Interior light
- Built-in lock with self-ejecting key

FH15DX (not shown)

- 14.8 cubic foot capacity
- Two removable sliding baskets
- Temperature monitor with audible alarm
- Interior light
- Built-in lock with self-ejecting key

FH15SX (not shown)

- 14.8 cubic foot capacity
- One removable sliding basket
- Built-in lock with self-ejecting key

FH10DX (not shown)

- 10.0 cubic foot capacity
- One removable sliding basket
- Temperature monitor with audible alarm
- Interior light
- Built-in lock with self-ejecting key

FH10SX (not shown)

- 10.0 cubic foot capacity
- One removable sliding basket
- Interior light
- Built-in lock with self-ejecting key

FH7DX (not shown)

- 7.0 cubic foot capacity
- One removable sliding basket
- Temperature monitor with audible alarm

FH5DX

- 5.3 cubic foot capacity
- One removable sliding basket
- Adjustable temperature control



Removable basket

For additional features, specifications and color availability, refer to page 21. For warranty information, refer to page 71.

Refrigeration specifications

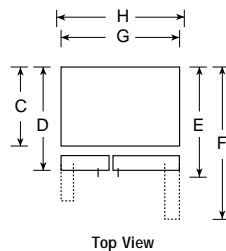
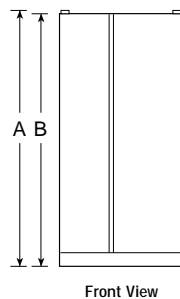
Side-by-side no-frost refrigerators

Features	CSX25DRZ	CSX22GRZ	CSX22GAZ	CSX22BCX	CSX20BAX	CSX19LAX
Capacity						
Total (cu. ft.)	25.2	21.7	21.7	21.7	19.7	19.4
Fresh food (cu. ft.)	15.92	14.96	14.96	14.96	12.90	12.71
Freezer (cu. ft.)	9.32	6.75	6.79	6.75	6.79	6.70
Shelf area (sq. ft.)	24.2	22.4	22.8	22.4	20.6	16.7
Fresh food section						
Shelves (total)	3 Glass	3 Glass	3 Glass	3 Wire Everwhite	3 Wire Everwhite	2 Wire Everwhite
(adjustable)	3	3	3	3	3	
(spill proof)	3					
Vegetable/fruit crisper(s) (upper)	Adj. Humid (clear)	Adj. Humid (clear)	Adj. Humid (clear)	Sealed (classic white)	Sealed (classic white)	1 Pan (classic white) & 1 Wire trivet
Meat pan (lower)	Adj. Temp. (clear)	Adj. Temp. (clear)	Adj. Temp. (clear)	Sealed (classic white)	Sealed (classic white)	
Utility bin	■	■	■	■	■	
Door storage						
Shelves (total)	4 (2 w/adj. gal. storage)	4 (2 w/gal. storage)	4 (2 w/gal. storage)	4 (2 w/gal. storage)	4 (2 w/gal. storage)	4 (2 w/gal. storage)
Dairy compartment	w/door	w/door	w/door	w/door	■	■
Freezer section						
Sliding storage bin	1	1	1	1	1	1
Wire Everwhite						
Compartment shelf(s)	3 Adj.	3 Adj.	4 (3 Adj.)	3 Adj.	4 (3 Adj.)	3 Adj.
Door shelves (total)	5	5	6	5	6	6
Automatic icemaker	■	■	Opt. (IM3)	■	Opt. (IM3)	Opt. (IM3)
Exterior crushed ice, cubes and chilled water service	OneTouch! Dispenser	OneTouch! Dispenser		OneTouch! Dispenser (Cubes only)		
Exterior light	■					
Ice 'N Easy trays					2	
Ice storage bin			■		■	
Cabinet features						
Textured steel case & doors	■	■	■	■	■	■
Cabinet liner	Baked-Enamel-On-Steel	Baked-Enamel-On-Steel	Baked-Enamel-On-Steel	Baked-Enamel-On-Steel	Baked-Enamel-On-Steel	Baked-Enamel-On-Steel
Automatic Energy Saver (condenser loop)	■	■	■	■	■	■
Adjustable rollers	■	■	■	■	■	■
Door stops	■	■	■	■	■	■
Door handle(s)	CM	CM	CM	Black	Black	Black
Color(s) available*	WW, AA	WW, AA	WW, AA	W	W, A	W
Dimensions						
Height to top of hinge (in.) A	69-3/4	67-5/8	67-5/8	67-5/8	67-5/8	67-5/8
Height to top of case (in.) B	68-3/4	66-5/8	66-5/8	66-5/8	66-5/8	66-5/8
Case depth without door (in.) C	28	28	28	28	28	28
Case depth (less handle) with door (in.) D	30-1/2	30-1/2	30-1/2	30-1/2	30-1/2	30-1/2
Case depth with door handle (in.) E	32-1/2	32-1/2	32-1/2	32-1/2	32-1/2	32-1/2
Depth with door open 90° (in.) F	50-5/16	50-5/16	50-5/16	50-5/16	48-5/16	48-5/16
Width (in.) G	35-3/4	33-1/2	33-1/2	33-1/2	31-1/2	31-1/2
Width with door open 90° less door handle (in.) H	36-1/4	34-1/4	34-1/4	34-1/4	32-1/4	32-1/4
Air clearances						
Each side (in.)	3/41	3/41	3/41	3/41	3/41	3/41
Top (in.)	1	1	1	1	1	1
Back (in.)	1	1	1	1	1	1
Approx. shipping weight (lbs.)	354	317	317	345	311	283

CM = Color Matched

*Color(s) available: WW = White on white, AA = Almond on almond, W = White/Black handles, A = Almond/Black handles.
†If installed against a wall, allow clearance of 11 1/4" on freezer side to remove ice bin.

Before purchasing any appliance on which the Federal Trade Commission requires an energy label, read important energy cost and efficiency information available from your retailer.



Note: Before installing, consult installation instructions packed with product for current dimensional data.



See page 71 for warranty information.

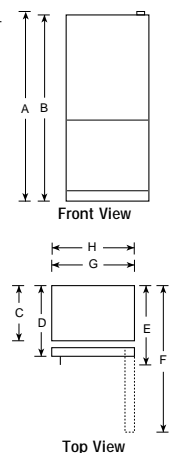
Bottom-mount refrigerator

Features	TCX22ZAX
Capacity	
Total (cu. ft.)	21.7
Fresh food (cu. ft.)	15.23
Freezer (cu. ft.)	6.51
Shelf area (sq. ft.)	28.6
Fresh food section	
Cabinet shelves (spill proof) (adjustable)	4 Glass 4 Split
Vegetable/fruit crisper(s)	1 Sealed, 1 Adj. Humid.
Sealed snack pan	■
Utility bin	■
Beverage rack	■
Door bins	5 (4 Adj.)
Dairy compartments	2
Freezer section	
Storage basket	1 Sliding
Compartment shelf	1 F/W
Door bins	4
Automatic icemaker	Opt. (UK-3S)
Ice 'N Easy trays	2
Ice storage bin	■
Ice tray shelf	■
Interior light	■
Cabinet features	
Textured steel doors	■
Cabinet insulation-foam	■
Door insulation-foam	■
Cabinet liner	ABS
Door liner	ABS
Adjustable rollers	■
Door stops	■
Coil-free back	■
Reversible doors	■
Door handle(s)	Color Matched
Color(s) available*	W, A
Dimensions	
Height to top of hinge (in.) A	68-3/8
Height to top of hinge (in.) B	67-5/8
Case depth without door (in.) C	28-1/2
Case depth with door (in.) D	32-3/4
Case depth with door handle (in.) E	33-3/4
Depth with door open 90° (in.) F	64-3/8
Width (in.) G	32-3/4
Width with door open 90° less door handle (in.) H	32-3/4
Air clearances	
Each side (in.)	3/4
Top (in.)	1
Back (in.)	1
Approx. shipping wt. (lbs.)	318

*Color(s) available: W = White, A = Almond.

GE Refrigerator with bottom-mount freezer

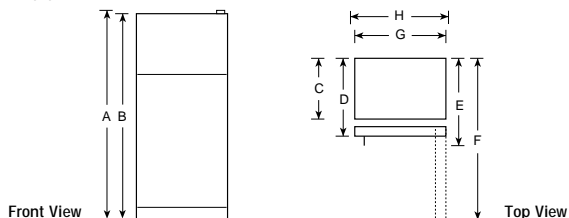
A versatile, bottom-mount refrigerator that puts the fresh food compartment right at eye level.



Top-mount no-frost refrigerators

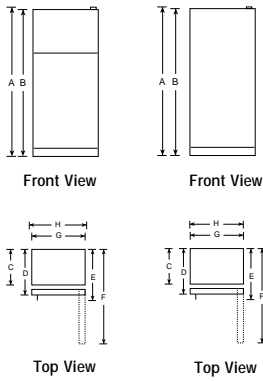
Features	CTX21DAZ CTX21DIZ	CTX21EAEZ	CTX21BAX CTX21BIX	CTX18GAZ CTX18GIZ	CTX19EAEZ CTX19BAZ	CTX18CAZ CTX18CIZ	CTX18LZY	CTX17KAZ CTX17BAZ	CTX16EYZ	CTX16CAZ CTX16CIZ	CTX16CYZ	CTX16BYZ	CTX14EYZ	CTX14CAZ CTX14CIZ	CTX14CYZ	TBX12SAX	TBX10SNX
Capacity																	
Total (cu. ft.)	20.6	20.6	20.6	18.2	18.2	18.2	17.6	16.9/17.6	15.6	16.4	16.4	15.6	14.4	14.4	14.4	12.1	9.8
Fresh food (cu. ft.)	14.25	14.25	14.25	13.04	13.04	13.04	13.6	13.05/13.6	11.69	12.58	12.58	11.69	10.58	10.58	10.58	9.1	7.5
Freezer (cu. ft.)	6.30	6.30	6.30	5.13	5.13	5.13	4.0	3.86	3.86	3.86	3.86	3.86	3.86	3.86	3.86	3.0	2.33
Shelf area (sq. ft.)	24.9	24.9	24.2	23.1	23.2/22.7	20.1	13.7	19.4	19.6	17.5	17.5	18.1	18.1	17.4/16.4	17.2	13.6	12.1
Fresh food section																	
Cabinet Shelves (total)	2 Split, 1 F/W Glass	2 F/W Wire	2 F/W Wire	2 F/W Wire/Glass	2 F/W Wire	2 F/W Wire	3 F/W Wire	1 F/W Glass/ 2 F/W Wire	2 F/W Wire	2 F/W Wire	2 F/W Wire	2 F/W Wire	2 F/W Wire	2 F/W Wire	2 F/W Wire	2 F/W Wire	2 F/W Wire
(adjustable)	3	2	2	2	2	2	2	2 Split/2	2	2	2	2	2	2	2	2	2
(spill proof)	3																
Vegetable/ fruit crisper(s)	2 (clear)	2 (clear)	2 (classic white)	2 (clear)	2 (clear)/ 2 (classic white)	1 F/W		2 (classic white)	2 (clear)	2 (classic white)	2 (classic white)	2 (classic white)	2 (clear)	2 (classic white)	2 (classic white)	1 (classic white) F/W Divided	1 (classic white)
Snack pan	■	■	■	■	■			■	■			■	■				
Utility bin	■		■					■/—	■			■	■				
Door storage																	
Shelves (total)	3	3	3	2	2	2	2	2	2	2	2	2	2	2	2	2	4
Dairy compartment(s)	w/door	w/door	■	w/door	w/door	■		■	w/door	■	■	■	w/door	■	■		
Gallon storage doors	Fixed	Fixed		Fixed	Fixed/—				Fixed								
Tall bottle storage	■	■	■	■	■		■	■		■	■	■			■	■	■
Freezer section																	
Wire Everwhite shelf(s)	1 Adj. F/W (2 Pos.)	1 Adj. F/W (2 Pos.)	1 Adj. F/W (2 Pos.)	1 Adj. F/W (2 Pos.)	1 Adj. F/W (2 Pos.)	Trivet		1 Step Shelf/ 1 Adj. F/W (2 Pos.)	1 F/W				1 F/W				1 F/W
Door shelves (total)	2	2	2	2	2	2	2	2	2	2	2	2	2	2	2	2	4
Automatic icemaker	Opt. (IM3)■	Opt. (IM3)	Opt. (IM3)■	Opt. (IM3)■	Opt. (IM3)		Opt. (IM3)	Opt. (IM3)	Opt. (IM3)	Opt. (IM3)	Opt. (IM3)	Opt. (IM3)	Opt. (IM3)	Opt. (IM3)	Opt. (IM3)	Opt. (IM3)	Opt. (IM3)
Ice 'N Easy trays	2/—	2	2/—	2/—	2	2/0		2	2	2/0	2	2	2	2	2/0	2	2
Ice tray shelf										■/—	■	■	■	■	■/—	■	
Ice storage bin	■/—	■	■/—	■/—	■												
Cabinet features																	
Textured steel case & doors	■	■	■	■	■	■	■	■	■	■	■	■	■	■	■	■	■
Cabinet insulation	Foam	Foam	Foam	Foam	Foam	Foam	Foam	Foam	Foam	Foam	Foam	Foam	Foam	Foam	Foam	Foam	Foam
Door insulation	Foam	Foam	Foam	Foam	Foam	Foam	Foam	Foam	Foam	Foam	Foam	Foam	Foam	Foam	Foam	Foam	Foam
Cabinet liner	ABS	ABS	ABS	ABS	ABS	ABS	ABS	ABS	ABS	ABS	ABS	ABS	ABS	ABS	ABS	ABS	ABS
Door liner	ABS	ABS	ABS	ABS	ABS	ABS	ABS	ABS	ABS	ABS	ABS	ABS	ABS	ABS	ABS	ABS	ABS
Energy Saver Switch	■	■	■	■	■	■		■									■
Adjustable rollers	■	■	■	■	■	■	4 Fixed (2 Level Legs)	■	4 Fixed (2 Level Legs)	4 Fixed (2 Level Legs)	4 Fixed (2 Level Legs)	4 Fixed (2 Level Legs)	4 Fixed (2 Level Legs)	4 Fixed (2 Level Legs)	4 Fixed (2 Level Legs)	4 Fixed (2 Level Legs)	Level Legs
Door stops	■	■	■	■	■	■	■	■	■	■	■	■	■	■	■	■	■
Coil-free back	■	■	■	■	■	■	■	■	■	■	■	■	■	■	■	■	■
Reversible doors	■	■	■	■	■	■	■	■	■	■	■	■	■	■	■	■	■
Right or left door opening																	
Door handle(s)	CM	CM	Black	CM	CM Black	CM	CM Recessed	CM Black	CM Recessed	CM	CM Recessed	CM Recessed	CM Recessed	CM	CM Recessed	Black	White
Color(s) available**	WW, AA	WW, AA	W, A	WW, AA	WW, AA	W, A	W, A	W, A	W, A	W, A	W, A	W, A	W, A	W, A	W, A	W, A	W
Dimensions																	
Height to top of hinge (in.) A	67	67	67	64-3/4	64-3/4	64-3/4	67-1/4	67-1/4	64-1/2	67-1/4	67-1/4	64-1/2	61-1/2	61-1/2	61-1/2	60-5/8	59-1/8
Height to top of case (in.) B	66-1/4	66-1/4	66-1/4	64	64	64	66-3/4	66-3/4	64	66-3/4	66-3/4	64	61	61	61	60-1/4	58-5/8
Case depth without door (in.) C	27-1/2	27-1/2	27-1/2	27-1/2	27-1/2	27-1/2	26-1/2	26-1/2	26	26-1/2	26-1/2	26	26	26	26	27-7/16	25
Case depth with door less handle (in.) D	29-13/16	29-13/16	29-13/16	29-13/16	29-13/16	29-13/16	30	29-1/8	28	29-1/8	29-1/8	28	28	28	28	29-11/16	26-3/8
Case depth with door handle (in.) E	31-1/2	31-1/2	31-1/2	31-1/2	31-1/2	31-1/2	31-1/4	30-7/8	28	30-7/8	29-1/8	28	28	29-9/16	28	31-7/16	28
Depth with door open 90° (in.) F	59-7/8	59-7/8	59-7/8	58	58	58	55-7/8	54-3/4	54-1/2	54-3/4	54-3/4	54-1/2	54-1/2	54-1/2	54-1/2	51-9/16	48-3/4
Width (in.) G	31-1/4	31-1/4	31-1/4	29-3/8	29-3/8	29-3/8	28	28	28	28	28	28	28	28	28	23-3/8	23-5/8
Width with door open 90° less handle (in.) H	31-1/4	31-1/4	31-1/4	29-3/8	29-3/8	29-3/8	30-1/2	29-3/4 30-1/8	28-1/2	30-1/8	28-1/2	28-1/2	28-1/2	29-3/4	28-1/2	23-9/16	24-1/8
Air clearances																	
Each side (in.)	3/4†	3/4†	3/4†	3/4†	3/4†	3/4†	3/4†	3/4†	3/4†	3/4†	3/4†	3/4†	3/4†	3/4†	3/4†	3/4†	3/4†
Top (in.)	1	1	1	1	1	1	1	1	1	1	1	1	1	1	1	2	1
Back (in.)	1	1	1	1	1	1	1	1	1	1	1	1	1	1	1	3/4	1
Approx. shipping weight (lbs)	240	240	240	230	230	230	230	193	186	190/195	188	170	173	170/174	168	152	157

* Available in white when ordering White on white refrigerator.
 ** Color(s) available: WW = White on white, W = White, A = Almond.
 † If installed against a wall, allow clearance of 11 1/4" on freezer side to remove ice bin.



See page 71 for warranty information.

Refrigeration specifications



GE Cycle defrost two door

Features	TDX11SNY	TDX9SNY	TAX10SNX
Capacity			
Total (cu. ft.)	11.0	9.0	9.6
Fresh food (cu. ft.)	8.6	6.6	8.64
Freezer (cu. ft.)	2.4	2.4	.94*
Shelf area (sq. ft.)	15.5	15.2	9.88
Fresh food section			
Cabinet shelves	3 Wire Evenwhite	2 Wire Evenwhite	2 Wire Evenwhite
(adjustable)	3	2	
Vegetable/fruit pan	1 F/W	1 F/W	1 F/W
Egg storage bin			Pockets
Door shelves	2 Modules, 2 Stationary	4 Modules 1 Stationary	3 F/W
Dairy compartment(s)	2	2	1
Freezer section			
Compartment shelf(s)	1 F/W	1 F/W	
Ice 'N Easy trays	2 Mini	2 Mini	2
Chiller tray with baffle			■
Cabinet features			
Insulation (cabinet and door)	Foam	Foam	Foam
Cabinet liner	Plastic	Plastic	Plastic
Door liner	Plastic	Plastic	Plastic
Leveling legs	2 Front	2 Front	2 Front
Door stop	■	■	■
Reversible doors	■	■	
Right or left door opening			■
Door handle(s)	White	White	Black
Color(s) available	White	White	White, Almond
Dimensions			
Height to top of hinge (in.) A	63-1/2	55	58
Height to top of case (in.) B	63	54-1/2	57-9/16
Case depth without door (in.) C	20-1/2	20-1/2	21-3/8
Case depth with door less handle (in.) D	23-1/4	23-1/4	23-1/2
Case depth with door handle (in.) E	24-1/2	24-1/2	24-13/16
Depth with door open 90° (in.) F	46	46	44-13/16
Width (in.) G	23-1/4	23-1/2	23
Width with door open 90° (in.) H	23-3/4	23-3/4	23-1/2
Air clearances			
Each side (in.)	1/2	1/2	5/8
Top (in.)	2	2	2
Back (in.)	2	2	1
Approx. shipping weight (lbs.)	143	126	142

*Compartment for short-term storage of frozen food. The frozen food compartment of this refrigerator will make ice, and pre-frozen foods can be stored for about **two weeks**. It will not effectively freeze fresh foods or provide long-term storage for meats, poultry or fish.

See page 71 for warranty information.

GE Spacemaker™ refrigerators

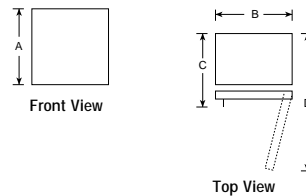
Features	TAX6SNXWH/WW	TAX4SNYWH	TAX4ANXWN	TAX2SNXWN
Capacity				
Total (cu. ft.)	6.0	3.7	3.7	1.7
Fresh food (cu. ft.)	5.51	3.26	3.42	1.51
Freezer (cu. ft.)	.49*	.42*	.34*	.21*
Shelf area (sq. ft.)	8.8	6.0	6.5	2.9
Fresh food section				
Cabinet shelves	2 (Adj.)	3 F/W (2 Wire, 1 glass)	3 F/W w/retaining rod	1
(adjustable)	2			
Door shelves	3 F/W	2 F/W	2 F/W	1-1/2
Vegetable/fruit pan		1 F/W White		
Utility bin				Tray
Freezer section				
Ice 'N Easy trays	2 Mini	1 Mini	1 Mini	2 Mini
Manual defrost	■	■	■	■
Cabinet features				
Cabinet insulation—foam	■	■	■	■
Door insulation—foam	■	■	■	■
Cabinet liner	Polystyrene	Polystyrene	Polystyrene	Polystyrene
Door liner	Polystyrene	Polystyrene	Polystyrene	Polystyrene
Leveling legs	■			
Door stop	■			
Reversible door	■	■		
Coil-Free back	■	■	■	■
Right or left door opening			Right Hand	Right Hand
Rounded door		■		
Door handles	White visor Black visor	CM recessed	CM recessed	CM recessed
Color(s) available	White, Woodgrain	White	Woodgrain	Woodgrain
Custom trim kit	TK6 optional 11			
Dimensions				
Height (in.) A	34-1/4	34-1/2	34-1/2	18-7/8**
Width (in.) B	23-5/8	18-7/8	18-7/8	18-5/8
Case depth with handle (in.) C	25-7/8	20-3/4	20-3/4	19-1/2
Case depth with door open 90° (in.) D	47-1/2	39-1/4	39-1/4	37
Air clearances				
Each side (in.)	01	1/2	1/2	1/2
Top (in.)	1-1/2	12	12	12
Back (in.)	3/4	5	5	5
Approx. ship. wt. (lbs.)	88	68	71	40

*Compartment for short-term storage of frozen food. The frozen food compartment of this refrigerator will make ice, and pre-frozen foods can be stored for about **two weeks**. It will not effectively freeze fresh foods or provide long-term storage for meats, poultry, or fish.

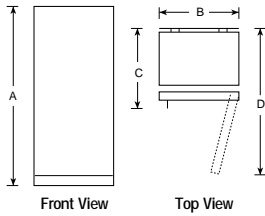
**Height does not include hinge

†If installed against a wall, allow 1-1/4" on hinge side to allow for proper door opening

‡TK6 trim kit comes with black panel.

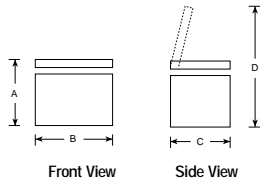


Note: Right-hand Refrigerator Door: As you face the front of the refrigerator, the handle is on your left and the hinges are on your right.
Left-hand Refrigerator Door: As you face the front of the refrigerator, the handle is on your right and the hinges are on your left.



GE Upright freezers

Features	FP21DX	FP21SX	FF20DX	FP17DX	FF16DX	FP15SX	FP14DX	FP14SX	FP12SX	FP9SX	FP5DX
Capacity											
Total volume (cu. ft.)	20.7	20.7	20.3	17.0	15.7	15.2	14.0	14.0	11.7	8.7	4.8
Shelf area (sq. ft.)	23.8	23.8	22.7	20.7	18.2	14.7	16.4	16.4	14.2	11.4	8.0
Cabinet features											
Defrost	Manual	Manual	Frost-Free	Manual	Frost-Free	Manual	Manual	Manual	Manual	Manual	Manual
Cabinet shelves (total)	5 (1 Adj.)	4	5	4 (1 Adj.)	4	3	3 (1 Adj.)	3	3	4	2
Refrigerated shelves	4	4				3	3	3	3	4	2
Top cold plate		■		■		■	■	■	■	■	
Bulk storage tray											■
Bulk storage basket	Slide-Out		Slide-Out	Slide-Out	Slide-Out		Slide-Out				
Drop-front retainer		■				■		■			
Door shelves (total)	6	6	6	5	5	4	5	5	4	5	3
Magnetic door gasket	■	■	■	■	■	■	■	■	■	■	■
Defrost water drain	■	■	■	■	■	■	■	■	■	■	■
Audible temperature alarm	■	■	■	■	■	■	■	■	■	■	■
Temperature control	Adjustable	Adjustable	Adjustable	Adjustable	Adjustable	Adjustable	Adjustable	Adjustable	Adjustable	Adjustable	Adjustable
Interior light	■	■	■	■	■	■	■	■	■	■	■
Lock with self-ejecting key	■	■	■	■	■	■	■	■	■	■	■
Textured steel case and door	■	■	■	■	■	■	■	■	■	■	■
Cabinet liner	Baked enamel-on-steel	Baked enamel-on-steel	Baked enamel-on-steel	Baked enamel-on-steel	Baked enamel-on-steel	Polymer	Baked enamel-on-steel	Baked enamel-on-steel	Baked enamel-on-steel	Polystyrene	Polystyrene
Wrap-around condenser	■	■	■	■	■	■	■	■	■	■	■
Door stop	■	■	■	■	■	■	■	■	■	■	■
Adjustable leveling legs	■	■	■	■	■	■	■	■	■	■	■
Coil-free back	■	■	■	■	■	■	■	■	■	■	■
Color available	White	White	White	White	White	Almond	White	White	White	White	White
Limited food loss warranty	■	■	■	■	■	■	■	■	■	■	■
Dimensions											
Height (in.) A	70	70	70	64-1/2	61-1/2	60-1/2	59	59	54-1/2	53-3/8	33-1/2
Width (in.) B	32	32	32	32	32	30	28	28	28	24	21-3/8
Depth (in.) C	28-1/2	28-1/2	28-1/2	28-1/2	26-1/2	27-1/2	28-1/2	28-1/2	26-1/2	26-3/8	26-1/8
Depth with door open 90° (in.) D	59-1/8	59-1/8	59-1/8	57-1/8	57-1/8	55-3/4	55-1/8	55-1/8	53-1/8	49-1/8	45-3/4
Air clearances											
Each side (in.)	3	3	3	3	3	3	3	3	3	1	1/2
Top (in.)	4	4	4	4	4	3	4	4	4	4	4
Back (in.)	3	3	3	3	3	3	3	3	3	3	4
Approx. shipping weight (lbs.)	235	235	258	213	226	192	188	188	169	120	80



GE Chest freezers

Features	FH25DX	FH22DX	FH15DX	FH15SX	FH10DX	FH10SX	FH7DX	FH5DX
Capacity								
Total volume (cu. ft.)	24.8	21.7	14.8	14.8	10.0	10.0	7.0	5.3
Cabinet features								
Manual defrost	■	■	■	■	■	■	■	■
Storage basket								
Defrost water drain	■	■	■	■	■	■	■	■
Audible temperature alarm	■	■	■	■	■	■	■	■
Temperature control	Adjustable	Adjustable	Adjustable	Adjustable	Adjustable	Adjustable	Adjustable	Adjustable
Removable sliding bulk storage basket(s)	3	2	2	1	1	1	1	1
Interior light	■	■	■	■	■	■	■	■
Lock with self-ejecting key	■	■	■	■	■	■	■	■
Textured steel case and lid	■	■	■	■	■	■	■	■
Insulation (cabinet and lid)-foam	■	■	■	■	■	■	■	■
Steel cabinet liner	Epoxy-coated	Epoxy-coated	Epoxy-coated	Epoxy-coated	Epoxy-coated	Epoxy-coated	Epoxy-coated	Epoxy-coated
Wrap-around condenser	■	■	■	■	■	■	■	■
Wrap-around evaporator	■	■	■	■	■	■	■	■
Color available	White	White	White	White	White	Almond	White	White
Limited food loss warranty	■	■	■	■	■	■	■	■
Dimensions								
Height (in.) A	35	35	35	35	35	35	35	35
Width (in.) B	73-1/4	64-7/8	46-1/8	46-1/8	42-1/8	42-1/8	31-1/2	23-1/2
Cabinet depth (in.) C	29-1/2	29-1/2	29-1/2	29-1/2	24-1/4	24-1/4	24-1/4	25-7/8
Height with lid open (in.) D	60-5/8	59-1/2	59-1/2	59-1/2	55	55	55	56
Air clearances								
Each side (in.)	3	3	3	3	3	3	3	3
Back (in.)	1	1	1	1	1	1	1	1
Approx. shipping weight (lbs.)	234	221	170	170	137	137	115	101



Total volume and shelf area ratings are calculated by the Association of Home Appliance Manufacturers' standards.



Listed by Underwriters Laboratories, Inc.

See page 71 for warranty information.

Super and Extra-large capacity washers

VWSR4100V

- Super capacity washer
- 4 water levels
- 10 cycles
- 4 wash/spin speed combinations
- 4 wash/rinse temperature settings
- Bleach dispenser
- Self-cleaning filter
- Optional extra rinse
- Fabric softener dispenser

VBXR2070V

- Extra-large capacity washer
- 3 water levels
- 7 cycles
- 2 wash/spin speed combinations
- 3 wash/rinse temperature settings
- Self-cleaning filter

VBXR1060V

- Extra-large capacity washer
- 3 water levels
- 6 cycles
- 1 wash/spin speed combination
- 3 wash/rinse temperature settings
- Self-cleaning filter

VVXR1040V

- Extra-large capacity washer
- 2 water levels
- 4 cycles
- 1 wash/spin speed combination
- 3 wash/rinse temperature settings



Super capacity

The 3.2 cu. ft. super capacity washer provides added space for extra-large loads.



FlexCare™ agitator

Delivers excellent wash performance, and the innovative "Flexible Fins," care for delicate wash loads.



Balance Pro™ suspension system

An innovative rod and spring floating suspension system designed to handle off-balanced loads on any type of floor.



Tuf Tub™ basket

The basket resists peeling, chipping, rusting or flaking for long term durability. Backed by a great 20-year limited warranty.



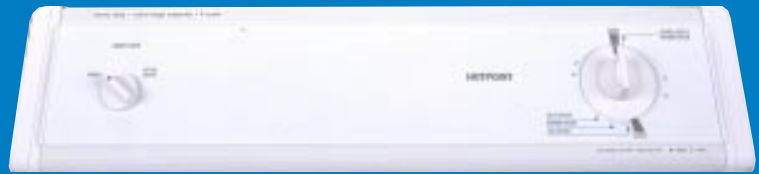
VWSR4100V



VBXR2070V



VBXR1060V



VVXR1040V



VWSR4100V

All features may not be available on all models.

For detailed specifications, installation information and color availability, refer to page 25. For warranty information, refer to page 71.



NWXR473EV (Electric), NWXR473GV (Gas)



NJLR473EV (Electric), NJLR473GV (Gas)



NVLR333EV (Electric), NVLR333GV (Gas)



NWXR473EV

All features may not be available on all models.

For detailed specifications, installation information and color availability, refer to page 25. For warranty information, refer to page 71.

Extra-large capacity dryer

NWXR473EV (Electric)
NWXR473GV (Gas)

- Automatic dry control
- Variable end-of-cycle signal
- Dryer interior light
- 7 cycles
- Optional press guard
- 4 heat selections
- Up-front lint filter
- Reversible door

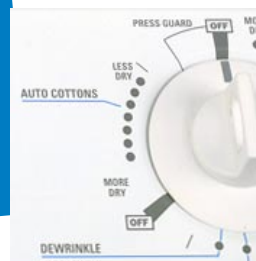
Large capacity dryers

NJLR473EV (Electric)
NJLR473GV (Gas)

- Automatic dry control
- Dryer interior light
- 7 cycles
- Optional press guard
- 4 heat selections
- Up-front lint filter

NVLR333EV (Electric)
NVLR333GV (Gas)

- Automatic dry control
- 3 cycles
- 3 heat selections
- Up-front lint filter



Automatic dry control

Monitors moisture level with an automatic thermostat and ends the cycle when clothes are properly dried. **Optional press guard** provides extra care to help prevent wrinkles.



Up-front lint filter

Convenient, up-front removable lint filter is easy to reach, easy to clean.



Extra-large dryer opening and drum

The extra-large opening gives you easy access to the 6.0 cu.ft. double-coated dryer drum.



New off-set appearance

A contemporary design that makes cleaning easy.



Portable/stationary models

WSKP2060T 120V Washer

- Portable model
- 2 wash/spin speeds
- 6 cycles: Regular (Heavy Soil, Medium Soil), Permanent Press (Medium Soil, Light Soil) Delicates and Spin Only
- 3 wash/rinse temperatures
- 4 water levels
- Automatic cool down
- Lint filter
- Easy-roll rollers
- Unicouple connector quickly attaches to a faucet adaptor
- Available in White and Almond with black control panel

WSKS2060T

- 120V Washer (not shown)
- Stationary model

DSKP233ET 120V Dryer

- Portable/Stationary model
- 3 drying cycles: Automatic Regular–Permanent Press, Timed Dry up to 105 minutes and Air Fluff
- 2 Heat selections: Normal and No-Heat Air Fluff (in timer)
- 15-amp dryer cord attached
- Available in White and Almond with black control panel

DSKS433ET

240V Dryer (not shown)

- Stationary model
- 3 drying cycles: Auto Regular–Permanent Press, Auto Delicates and Timed Dry up to 140 minutes
- 4 Heat selections: Regular (High Heat), Permanent Press (Medium Heat), Delicates (Low Heat) and Air Fluff (No-Heat)
- Available in White and Almond with black control panel

Unitized washer/dryer models

WSM2700T Electric

WSM2780T Gas

- Full size 27" wide
- Extra-Large Capacity Washer features 3 cycles (Regular, Permanent Press and Delicate), 3 wash temperature options, 3 water level selections
- Dryer features Automatic Dry Control, 4 cycles: Automatic Dry (Medium Heat), Timed Dry (High Heat), Delicate (Low Heat), Air Fluff (No-Heat)
- Available in White and Almond with black control panel

WSM2420T Electric

WSM2480T Gas

- 24" wide
- Washer features 3 cycles: Regular, Permanent Press and Delicates, 3 wash/rinse temperatures, 3 water levels
- Dryer features Automatic Dry Control, 4 cycles: Automatic Regular, Automatic Permanent Press, Timed Dry, and Air Fluff
- Available in White on white

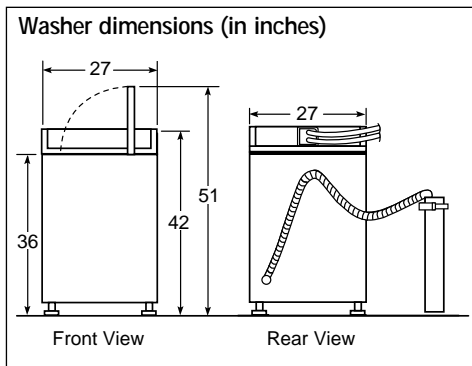
For detailed specifications, installation information and color availability, refer to pages 26–28. For warranty information, refer to page 71.

Washer and dryer model specifications

Washers

Features	WWSR4100V	VBXR2070V	VBXR1060V	WXR1040V
Capacity/Cubic feet	Super/3.2	Extra-Large/2.7	Extra-Large/2.7	Extra-Large/2.7
Wash/spin speed combination(s)	4	2 (timer)	1	1
Wash/rinse temperatures	4	3	3	3 (timer)
Water levels	4	3	3	2
Fabric softener dispenser	■			
Bleach dispenser	■			
FlexCare™ agitator		■	■	■
Left-hand lid opening	■	■	■	
New lid instructions	■	■	■	
Tuf Tub™ basket	■			■
Self-cleaning filter	■	■	■	■
Number of wash cycles	10	7	6	4
Perm press	■	■	■	Warm cycle only
Knits	■	■	■	
Delicates	■	■	■	
Heavy soil	■			Hot cycle only
Normal soil	■	■	■	Warm cycle only
Light soil	■	■	■	Cold cycle only
Soak cycle		■		
Auto soak (15 min.)	■			
Auto soak (30 min.)	■			
Supercycle™	■			
Optional extra rinse	■			
Front serviceable				
Colors available*	WW/AA	WW/AA	WW/AA	WW/AA
Approx. shipping weight (lbs.)	160	160	160	160

*Colors available: White on White or Almond on Almond



Washer specifications

Electrical rating: 115V, 60 Hz, 10 Amps

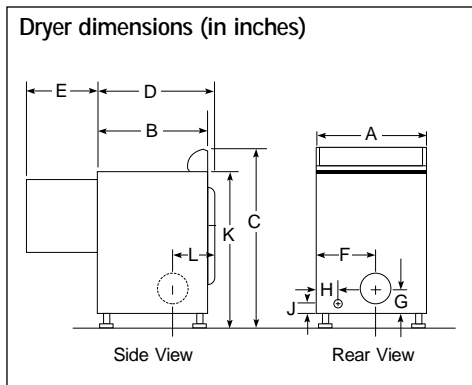
Circuit requirements: An individual properly-grounded branch circuit, with a three-prong grounding-type receptacle protected by a 15 or 20 amp circuit breaker or time-delay fuse, is required.

Dryers

Features	Electric	NWXR473EV	NJLR473EV	NVLR333EV
	Gas	NWXR473GV	NJLR473GV	NVLR333GV
Capacity/Cubic feet		Extra-Large/6.0	Large/5.4	Large/5.4
Automatic dry control		■	■	■
Double-coated drum		■		
Porcelain drum interior			■	■
Variable end-of-cycle signal		■		
Removable upfront lint filter		■	■	■
Optional press guard		■	■	
Dryer interior light		■	■	
Heat selections		4	4	3 (timer)
Number of dry cycles		7	7	3
Auto cottons				
Cottons cycle		■	■	■
Optional press guard		■	■	
Auto perm press				
Perm press cycle		■	■	■
Optional press guard		■	■	
Timed dry		■	■	
Actual minutes on timer		80	80	70
Damp dry		■	■	
De-wrinkle		■	■	
Timed (no-heat)				■
Front serviceable		■	■	■
Reversible door		■		
Colors available*		WW/AA	WW/AA	WW/AA
Approx. shipping weight (lbs.)	Elec.	107	107	107
	Gas	115	124	124

*Colors available: White on White or Almond on Almond

Note: Before installing, consult installation instructions packed with product for current dimensional data. Hotpoint electric dryers are available with long ducting capability.



Dryer specifications

Exhaust options:
Electric: 4-way via rear, right, left and bottom.

Gas: 3-way via rear, left and bottom. Dryer is shipped exhausted to the rear. Alternate exhausting knockouts are supplied.

See installation instructions for venting specifications.

Circuit requirements:

Electric: An individual properly-grounded branch circuit protected by a 30 amp circuit breaker or time-delay fuse, is required.

Gas: An individual, properly-grounded branch circuit with a three-prong grounding-type receptacle, protected by a 15 or 20 amp circuit breaker or time-delay fuse, is required.

(BTU/HR): 22,000. Factory-equipped for natural gas. Tested for LP gas. LP gas supply requires a conversion kit. Check installation instructions for correct kit and have a qualified gas technician install a conversion kit. See dryer ducting information for proper installation.

Electric dryer rating: 208/240V, 5600W, 60 Hz, 30 Amp

Gas dryer electric rating: 120V, 60 Hz, 15 Amp

Dryer dimensions (in inches)

	Large capacity	Extra-Large capacity
A	27	27
B	25-1/2	25-1/2
C	42	42
D	25-3/4	25-3/4
E	23-1/2	23-1/2
F	11-3/4	11-1/2
G	5-1/2	3-1/2
H	2	2
J	2-1/2	2-1/2
K	36	36
L	4-3/4	5-1/4



Listed by
Underwriters
Laboratories

GE Washer and dryer model specifications

GE Spacemaker® washers and dryers

Individual Spacemaker® Washers	Stationary WSKS2060T	Portable WSKP2060T
Capacity		
Capacity	Compact	Compact
Performance		
Wash/spin speed combinations	2	2
Wash/rinse temperatures	3	3
Water levels	4	4
Number of cycles	6	6
Regular		
Heavy Soil	■	■
Medium Soil	■	■
Perm. Press		
Medium Soil	■	■
Light Soil	■	■
Delicates		
Spin Only	■	■
Automatic cool down	■	■
Bleach dispenser	■	■
Fabric softener dispenser	■	■
Dependability		
Lint filter	■	■
Easy-roll rollers	■	■
General Features		
Colors available	White and Almond with black backsplash	White and Almond with black backsplash
Circuit requirements	120V, 60 Hertz, 15 or 20 Amps	
Dimensions (HxWxD in inches)*	34-1/4 x 22-1/4 x 24	34 x 22-1/4 x 24
Approx. shipping wt. (lbs.)	109	109

*Depth measured from front of control knob.

To install these washers with matching dryers, use accessory kit:

DSR24RT—Metal rack for stationary dryer with portable washer rolled beneath.

Note: To obtain matching appearance between the washers and dryers, the dryers must be "T" model year. For example, DSKS433ET.

Accessories

Stack Rack DSR24RT

For use with stationary dryers and storage of washer WSKP2060T/WSKS2060T underneath.

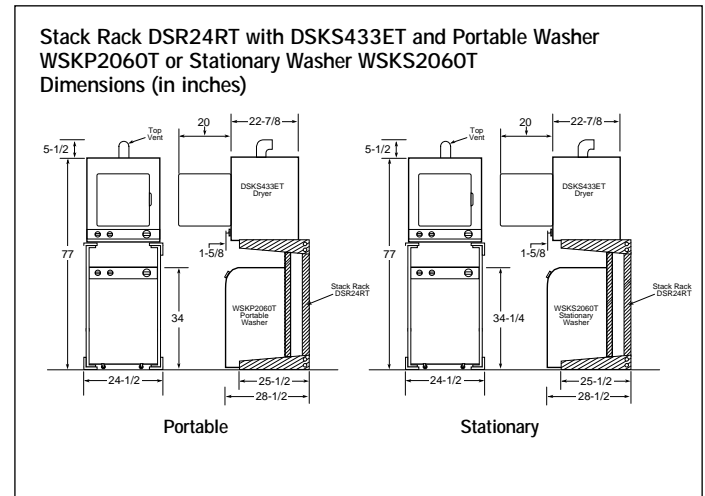
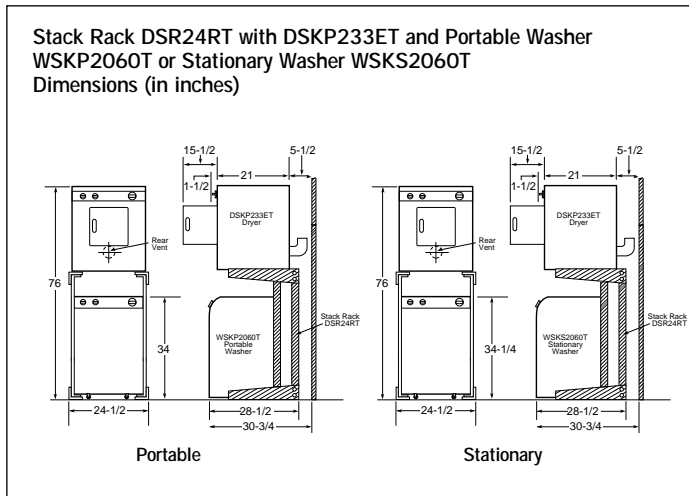
Individual Spacemaker® Dryers	Stationary DSKS433ET	Portable/Stationary* DSKP233ET
Capacity		
Capacity	Compact	Compact
Performance		
Dry control	Automatic	Automatic
Heat selections	4	2 (timer)
Number of dry cycles	3	3
Auto. Reg.— Perm. Press		
Auto. Perm. Press & Delicate	■	
Auto. Reg. (min)	■	
Timed Regular (min.)	140	105
Air Fluff (min.)	(Heat selection)	10
Separate start switch	■	■
Control location	Mid-Band	Top
Dependability		
End-of-cycle signal		■
Lint filter	Up-Front	Back of Drum
General Features		
Colors available	White and Almond with black backsplash	White and Almond with black backsplash
Exhaust options**	4-Way	Rear
Circuit requirements	240/208Vt, 60 Hertz, 30 Amp	120V, 60 Hertz, 15 Amp
Power cord		6 feet
Dimensions (HxWxD in inches)	33-1/4 x 23-7/8 x 24-1/2	32 x 23-7/8 x 23-5/8
Approx. shipping wt. (lbs.)	108	100

*Dryer comes equipped with casters and stationary leveling legs.

**DSKS433ET shipped exhausted through the top. DSKP233ET exhausted to rear only.

†120 volt outlet: Rear-mounted outlet on DSKS433ET approved for use only with Washer/Dryer Stack Rack DSR24RT.

Circuit requirements: An individual, properly-grounded branch circuit of the proper voltage and frequency as specified on the rating plate, with no other appliances or fixtures in circuit, is required.



GE Washer and dryer model specifications

GE Unitized Spacemaker® washers and dryers

	Electric	WSM2700T	WSM2420T	
	Gas	WSM2780T	WSM2480T	
Washer Features	Washer	Dryer	Washer	
Capacity				
Capacity	X-Large	X-Large	Compact	Compact
Performance				
Wash/spin speed combinations	1		2	
Wash/rinse temperatures	3		3	
Water levels	3		3	
Number of wash cycles	3		3	
Regular	■		■	
Perm. Press	■		■	
Delicates	■		■	
Unbalanced load control	■		■	
Dependability				
Lint filter	■		■	
Dryer Features				
Performance				
Automatic dry control		■		■
Number of dry cycles		4		4
Auto Regular		■		■
Auto Perm Press		■		■
Delicates		■		■
Timed		■		■
Air Fluff		■		■
General Features				
Control location		Mid-Band		Mid-Band
Exhaust options		Rear		Rear/Sides
Dimensions (HxWxD in inches)		75-1/2 x 27 x 30-13/16*		71-3/4 x 23-7/8 x 27-1/4*
Colors available		White/Almond		White on white**
Approx. shipping wt. (lbs.)		300		238

*Depth dimension assumes water hook-up is recessed in the wall.

**Electrical model is also available in Almond on almond.

Electrical requirements

WSM2700T: Electric dryer—This appliance should be connected to an individual, properly-grounded branch circuit with 120/240V or 120/208V single-phase 60 Hz electrical service and should be protected by 30-amp time-delay fuses or circuit breakers. This appliance is manufactured with neutral connected to the frame. Power cord should be purchased separately.

WSM2420T: Electric dryer—This appliance should be connected to an individual, properly-grounded branch circuit with 120/240V or 120/208V single-phase 60 Hz electrical service and should be protected by 30-amp time-delay fuses or circuit breakers. This appliance is manufactured with neutral connected to the frame. Power cord should be purchased separately.

NOTE: THESE APPLIANCES ARE NOT APPROVED FOR 120-VOLT OPERATION.

WSM2480T: Gas dryer—This appliance should be connected to an individual, properly-grounded branch circuit with a three-prong grounding-type receptacle and 120-volt single-phase 60 Hz electrical service and should be protected by 15 or 20-amp time-delay fuses or circuit breakers. This appliance is equipped with a 6-foot long flexible U.L. listed 20-amp power cord to match a 15-amp receptacle.

Gas rated input 10,500 BTU/HR. Factory equipped for natural gas. Tested for LP gas.

WSM2780T: Gas dryer—This appliance should be connected to an individual branch circuit with 120-volt single-phase 60 Hz electrical service and should be protected by 20-amp time-delay fuses or circuit breakers. This appliance is equipped with a 4-foot long flexible U.L. listed 20-amp power cord to match a 20-amp receptacle.

WSM2780T Gas Rated input 20,000 BTU/HR. Factory equipped for natural gas.

LP gas supply requires a conversion kit.

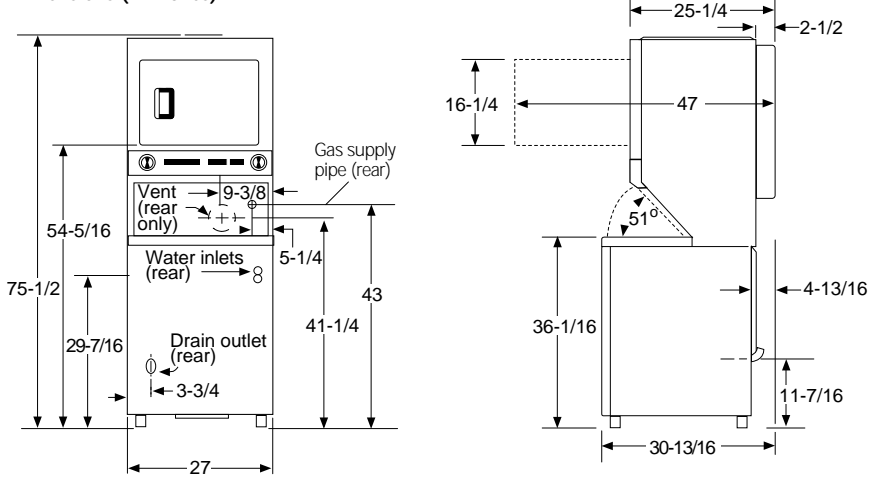
Have a qualified gas technician install a conversion kit before use.

Exhaust information

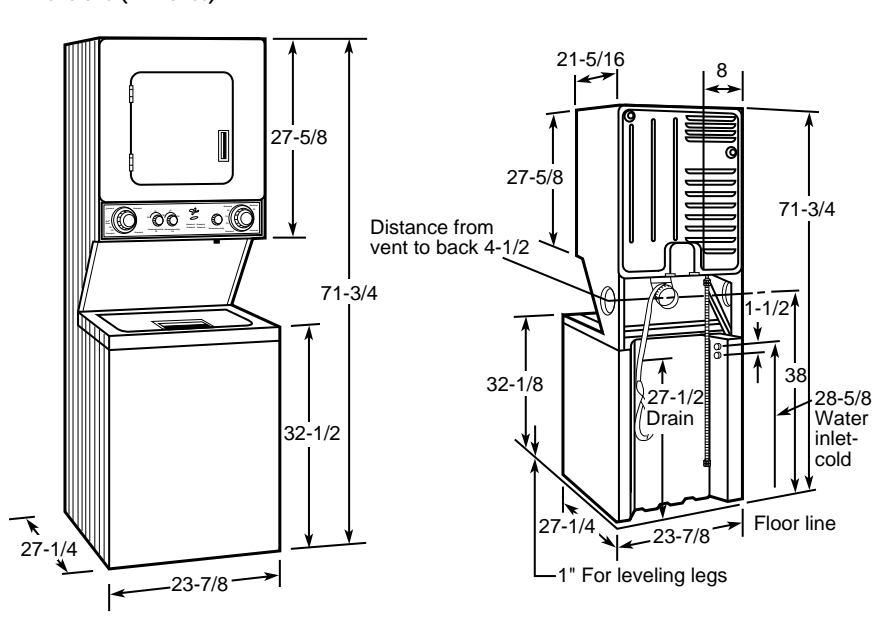
See "Dryer Exhausting Information" on page 28.

For complete information see installation instructions packed with the product.

Models WSM2700T and WSM2780T
Dimensions (in inches)



Models WSM2420T and WSM2480T
Dimensions (in inches)



Dryer exhausting Information

For complete information see installation instructions packed with dryer.

Important note:

GE Kit Number WE14X70 needed when converting rear exhaust to bottom or side. (On large capacity models.)

Ducting materials

For best performance, this dryer should be vented with 4" diameter all rigid metal exhaust duct. If "all rigid metal" duct cannot be used, then "flexible all metal" venting can be used, but it will reduce the maximum recommended duct length. The following kit or parts are available from your local service organization.

Kit WX8X75—7' aluminum duct and 4' hood, short tail.

(OR individual parts):

WX8X65 7' aluminum flex duct only

WX8X58 4' clamps (2)

WX8X67 4' exhaust hood

See installation instructions for complete information.

Exhaust length calculation:

- Determine the number of 90° turns needed for your installation. If you exhaust to the side or bottom of dryer, add one turn.
- The maximum length of 4" rigid (aluminum or galvanized) duct which can be tolerated is shown in the table. The maximum lengths for flexible ducts are less than for rigid duct. See table in installation instructions.

A turn of 45° or less may be ignored. Two 45° turns within the duct length should be treated as a 90° elbow. A turn over 45° should be treated as a 90° elbow.

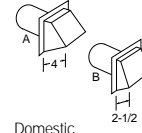
Exhausting the dryer to the outside is strongly

recommended to prevent large amounts of moisture and lint from being blown into the room. Gas dryers or any dryer located in a closet **must** be exhausted to the outside.

Caution: For personal safety do not terminate exhaust into a chimney, under any enclosed house floor (crawl space), or into an attic, since the accumulated lint could create a fire hazard or moisture could cause damage. Never terminate the exhaust into a common duct or plenum with a kitchen exhaust, since the combination of lint and grease could create a fire hazard.

Exhaust ducts should be terminated in a dampered wall cap to prevent back drafts, bird nesting, etc. The wall cap must also be located at least 12" above the ground or any other obstruction with the opening pointed down. Other terminations, such as louvered wall boxes, are acceptable provided they are equivalent to a 4" opening dampered wall cap.

Dryer exhausting information use metal duct only



		Best Performance			
		Maximum Length of 4" Dia. Rigid Metal Duct		Maximum Length of 4" Dia. Flexible Metal Duct	
		Exhaust Hood Type		Exhaust Hood Type	
Domestic Dryer Models	Number of 90° Turns	Cat. No. WX8X59 (Preferred)	B 2-1/2" Opening	Cat. No. WX8X59 (Preferred)	B 2-1/2" Opening
		A 4" Opening		A 4" Opening	
Full Size All Electric Dryers	0	90 ft.	60 ft.	55 ft.	45 ft.
	1	60 ft.	45 ft.	40 ft.	30 ft.
	2	45 ft.	35 ft.	30 ft.	20 ft.
	3	35 ft.	25 ft.	20 ft.	15 ft.
Full Size All Gas Dryers	4	25 ft.	15 ft.	15 ft.	10 ft.
	0	45 ft.	30 ft.	30 ft.	15 ft.
	1	35 ft.	20 ft.	20 ft.	10 ft.
	2	25 ft.	10 ft.	10 ft.	—
Spacemaker® Models DSKS433ET WSM2780T	3	15 ft.	—	—	—
	0	46 ft.	37 ft.	30 ft.	24 ft.
	1	38 ft.	30 ft.	25 ft.	20 ft.
Spacemaker® Model DSKP233ET	2	31 ft.	22 ft.	20 ft.	14 ft.
	3	24 ft.	15 ft.	16 ft.	10 ft.
	0	43 ft.	36 ft.	30 ft.	24 ft.
Spacemaker® Model WSM2700T	1	33 ft.	26 ft.	24 ft.	18 ft.
	3	23 ft.	16 ft.	16 ft.	10 ft.
	0	56 ft.	42 ft.	30 ft.	22 ft.
Spacemaker® Model WSM2420T WSM2480T	1	46 ft.	36 ft.	22 ft.	14 ft.
	2	34 ft.	28 ft.	16 ft.	10 ft.
	3	32 ft.	18 ft.	10 ft.	5 ft.
Spacemaker® Model WSM2420T WSM2480T	0	43 ft.	36 ft.	30 ft.	24 ft.
	1	33 ft.	26 ft.	24 ft.	18 ft.
	2	23 ft.	16 ft.	16 ft.	10 ft.



Listed by Underwriters Laboratories

Washer Note: Washer wall outlet must be located within 36" of service cord entry. Wall outlet must not be located behind dryer.

Dryer Note: Dryer wall outlet must be located within 36" of service cord entry and accessible when dryer is mounted in position.



RB757GT

Electric ranges

Quality Hotpoint free-standing electric ranges are perfect solutions for today's busy schedules! Self-cleaning and continuous cleaning ovens save you time and effort. On ranges with one-piece, upswept cooktops, a simple wipe-up does the job.

The Hotpoint free-standing smooth top ranges provide quick cooking response. The fast, ribbon heating elements are positioned beneath the smooth cooktop and direct heat straight up to the pan.



Lift-up cooktop

Cooktop lifts up to allow easy clean-up of hard-to-reach spots underneath.



One-piece upswept cooktop

No cracks or crevices to trap dirt! The porcelain enamel-on-steel surface wipes clean easily.



Ribbon heating elements

Unlike conventional elements, the heat comes from brightly glowing ribbon elements positioned beneath the smooth fingerprint and scratch resistant patterned glass surface.



Plug-in surface elements

Unplug to permit clean-up or removal of drip bowls for easy cleaning in dishwasher. Plus easy access for cleaning of recessed areas designed to catch spillovers.



Electronic oven controls

Easy-to-use electronic oven controls provide:

- Simple touchpad oven operation
- Auto Self-Clean
- Self-clean cycling light
- Preheated oven light with audible preheat signal
- Auto oven shut-off
- Electronic clock and timer
- Automatic oven timer
- Oven "ON" light
- Delay Bake option.



Two-step self-clean

Simply latch the oven door and turn to "Auto Self-Clean" – the oven does the rest.

Calrod® surface elements

The design of the removable Calrod® surface elements assures fast, clean cooking and better heat distribution.



Frameless glass oven door

The full-width frameless door offers easy-clean, contemporary styling.

Removable full-width storage drawer

Conveniently stores cooking utensils close at hand. Drawer removes easily for cleaning underneath.

All features may not be available on all models.

30" electric ranges



RB787GY
Ribbon Range



RB757WT
Self-Cleaning Oven



RB755GT
Self-Cleaning Oven



RB754GY
Self-Cleaning Oven



RB756GT
Self-Cleaning Oven



RB754Y
Self-Cleaning Oven
Available for contract sales only.



Electronic oven controls

Easy-to-use electronic oven controls provide:

- Simple touchpad oven operation
- Auto Self-Clean
- Self-clean cycling light
- Preheated oven light with audible preheat signal
- Auto oven shut-off
- Electronic clock and timer
- Automatic oven timer
- Oven "ON" light
- Delay Bake option.

30" electric ranges with self-cleaning ovens

Put an end to messy oven cleaning! Choose from these quality ranges, all with the convenience of self-cleaning ovens. Simply set the controls and the oven cleans itself. All models feature two oven shelves; broiler pan with grid; lift-off oven door; interior oven light; infinite heat controls; removable, full-width storage drawer; and porcelain-enameled lift-up, upswept cooktop, except Model RB787GY/WY has a ribbon cooktop.

RB787GY

- Black on black model
- Smooth, easy-to-clean fingerprint and scratch resistant patterned black glass cooktop
- Two 8" and two 6" ribbon heating elements
- 4 hot surface indicator lights
- Electronic clock and minute timer
- Automatic oven timer
- Auto oven shut-off
- Two-step self-clean
- Frameless black glass oven door with window
- Black visor door handle

RB787WY (not shown)

- Same features and appearance as RB787GY, except White on white.

RB757WT

- White on white
- Electronic clock and minute timer
- Automatic oven timer
- Auto oven shut-off
- Two-step self-clean
- Two 8" and two 6" plug-in Calrod® heating elements with one-piece porcelain-enameled drip bowls
- Frameless white glass oven door with window
- White visor door handle

RB757GT (not shown)

- Same features and appearance as RB757WT, except available in White or Almond with black glass oven door.

RB756GT

- White on white model
- Electronic clock and minute timer
- Automatic oven timer
- Auto oven shut-off
- Two-step self-clean
- Single oven control knob
- Two 8" and two 6" plug-in Calrod® heating elements with one-piece chrome drip bowls
- Solid, frameless, white glass oven door
- White visor door handle

RB755GT

- Electronic clock and minute timer
- Automatic oven timer
- Auto oven shut-off
- Two-step self-clean
- Two 8" and two 6" plug-in Calrod® heating elements with one-piece porcelain-enameled drip bowls
- Solid, frameless, black glass oven door
- Black visor door handle

RB754PY (not shown)

- Same features and appearance as RB754GY, except has a black painted oven door.

RB754GY

- Electronic clock and minute timer
- One 8" and three 6" plug-in Calrod® heating elements with one-piece chrome drip bowls
- Frameless black glass oven door
- Full-width storage drawer
- Black visor door handle

RB754Y

- Electronic clock and minute timer
 - One 8" and three 6" plug-in Calrod® heating elements with one-piece chrome drip bowls
 - Solid, color-matched, painted oven door
 - Full-width storage drawer
 - Black visor door handle
- Available for contract sales only.**

For detailed specifications, installation information and color availability, refer to page 35. For warranty information, refer to page 71.

30" electric ranges



RB632GW



RB557GY



RB533GW



RB526V



RB536GW

30" electric ranges with continuous or standard cleaning ovens

Choose from these quality Hotpoint ranges featuring a choice of continuous clean or standard clean ovens. Calrod® models feature easy-to-clean, upswept, porcelain-enameled cooktop; two oven shelves; plug-in Calrod® heating elements; one-piece removable chrome drip bowls; full-width removable storage drawer and broiler pan with grid.

RB632GW

- Continuous clean oven
- Electronic clock and minute timer
- One 8" and three 6" heating elements
- Frameless solid black glass oven door
- Chrome visor door handle

RB557GY

- Smooth, easy-to-clean fingerprint and scratch resistant patterned black glass cooktop
- Two 8" and two 6" ribbon heating elements
- 4 hot surface lights
- Standard clean oven
- Electronic clock and minute timer
- Solid, frameless black glass oven door
- Black visor door handle

RB536GW

- Standard clean oven
- Electronic clock and minute timer
- Lift-up cooktop
- Two 8" and two 6" heating elements
- Frameless black glass oven door with window
- Chrome visor door handle

RB533GW

- Standard clean oven
- Electronic clock and minute timer
- Lift-up cooktop
- Two 8" and two 6" heating elements
- Frameless solid black glass oven door
- Chrome visor door handle

RB526WW (not shown)

- Same features and appearance as RB526V, except has white glass oven door.

RB526V

- White on white
- Standard clean oven
- One 8" and three 6" plug-in heating elements
- Solid white porcelain-enameled oven door
- Chrome visor door handle

RB525GV

- Standard clean oven
- One 8" and three 6" heating elements
- Frameless solid black glass oven door
- Chrome visor door handle

RB525V (not shown)

- Same features and appearance as RB525GV, except has color-matched painted oven door.

RB502S

- Standard clean oven
- One 8" and three 6" plug-in heating elements
- Solid color-matched oven door
- Chrome visor door handle
- Available in white only



RB525GV



RB502S

For detailed specifications, installation information and color availability, refer to page 35. For warranty information, refer to page 71.



RA524W

Hotpoint 24" electric range

RA524W

- Standard clean oven
- One 8" and three 6" plug-in heating elements with chrome drip bowls
- Lift-up cooktop with porcelain-enameled subtop
- Two heating element "ON" indicator lights



RA520W

Hotpoint 20" electric range

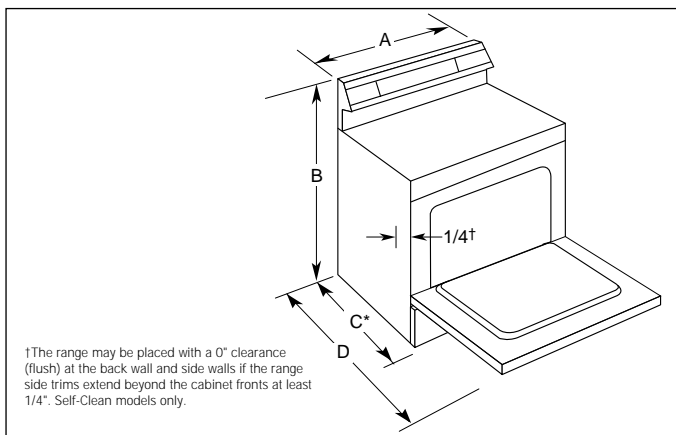
RA520W

- Standard clean oven
- One 8" and three 6" plug-in heating elements with chrome drip bowls
- Lift-up cooktop with porcelain-enameled subtop
- Two heating element "ON" indicator lights

30" electric ranges

Features	RB787GY	RB787WY	RB757GT RB757WT	RB756GT	RB755GT	RB754GY	RB754PY	Contract Only RB754Y	RB632GW	RB557GY	RB536GW	RB533GW	RB526WW	RB526V	RB525GV	RB525V	RB502S
Color appearance	BB	WW	WH/AD WW	WW	WH/AD	WH/AD	WH/AD	WH/AD	WH/AD	WH/AD	WH/AD	WH/AD	WH	WH	WH/AD	WH/AD	WH
Overall oven interior dimensions (W x H x D in inches)	22-3/4 x 15-3/4 x 17								23 x 16 x 17-1/4								
Self-cleaning oven	■	■	■	■	■	■	■	■	■								
Continuous clean oven									■								
Standard oven										■	■	■	■	■	■	■	■
Oven shelves	2	2	2	2	2	2	2	2	2	2	2	2	2	2	2	2	2
Broiler pan with grid	■	■	■	■	■	■	■	■	■	■	■	■	■	■	■	■	■
Lift-off oven door	Black Glass	White Glass	Black Glass White Glass	White Glass	Black Glass	Black Glass	Black Painted	CM*	Black Glass	Black Glass	Black Glass	Black Glass	White Glass	CM*	Black Glass	CM*	White Porc-Enam.
Oven window door	■	■	■								■						
Visor door handle	■	■	■	■	■	■	■	■	■	■	■	■	■	■	■	■	■
Electronic oven control	■	■	■	■	■	■	■	■	■	■	■	■	■	■	■	■	■
Automatic oven timer	Electronic	Electronic	Electronic	Electronic	Electronic												
Clock and minute timer	Electronic	Electronic	Electronic	Electronic	Electronic	Electronic	Electronic	Electronic	Electronic	Electronic	Electronic	Electronic					
Interior oven light	■	■	■	■	■	■	■	■	■	■	■	■	■	■	■	■	■
Lift-up cooktop			■	■	■	■	■	■	■								■
Porcelain-enameled upswept cooktop			■	■	■	■	■	■	■								■
Patterned cooktop	Ribbon	Ribbon								Ribbon							
8-inch heating elements	2	2	2	2	2	1	1	1	1	2	2	2	1	1	1	1	1
6-inch heating elements	2	2	2	2	2	3	3	3	3	2	2	2	3	3	3	3	3
Plug-in Calrod® heating elements			■	■	■	■	■	■	■				■	■	■	■	■
Removable one-piece drip bowls			■	■	■	■	■	■	■				■	■	■	■	■
Heating element "ON" indicator lights			■	■	■	■	■	■	■				■	■	■	■	■
Four hot surface indicator lights	■	■								■							
Full-width storage drawer	■	■	■	■	■	■	■	■	■	■	■	■	■	■	■	■	■
Oven cycling light	■	■	■	■	■	■	■	■	■	■	■	■	■	■	■	■	■
Cleaning time	Variable	Variable	Variable	Variable	Variable	Variable	Variable	Variable									
KW rating @ 240V	10.1	10.1	12.0	12.0	12.0	11.0	11.0	11.0	9.8	10.1	11.7	9.8	9.8	9.8	9.8	9.8	9.7
@ 208V	7.6	7.6	9.0	9.0	9.0	8.25	8.25	8.25	7.4	7.6	8.5	7.4	7.4	7.4	7.4	7.4	7.3
Approx. shipping weight (lbs.)	174	174	164	164	164	164	164	164	142	174	144	142	141	141	141	139	129

*CM=Oven door is color-matched to cooktop and drawer front (either White or Almond).
BB=Black on black, WW=White on white, WH=White, AD=Almond



30" electric range dimensions (in inches)

Models	A Width	B Height	C* Depth	D
RB787GY	29-7/8	45-1/2	26-3/4	46-1/8
RB787WY	29-7/8	45-1/2	26-3/4	46-1/8
RB757GT	29-7/8	45-1/2	26-5/8	46-1/8
RB757WT	29-7/8	45-1/2	26-5/8	46-1/8
RB756GT	29-7/8	45-1/2	26-5/8	46-1/8
RB755GT	29-7/8	45-1/2	26-5/8	46-1/8
RB754GY	29-7/8	45-1/2	26-5/8	46-1/8
RB754PY	29-7/8	45-1/2	26-5/8	46-1/8
RB754Y	29-7/8	45-1/2	26-5/8	46-1/8
RB632GW	29-7/8	44-5/8	25-3/8	46-1/8
RB557GY	29-7/8	44-5/8	26-5/8	46-1/8
RB536GW	29-7/8	44-5/8	25-3/8	46-1/8
RB533GW	29-7/8	44-5/8	25-3/8	46-1/8
RB526WW	29-7/8	44-5/8	25-3/8	46-3/8
RB526V	29-7/8	44-5/8	25-1/8	46-1/8
RB525GV	29-7/8	44-5/8	25-3/8	46-3/8
RB525V	29-7/8	44-5/8	25-1/8	46-3/8
RB502S	29-7/8	44-5/8	26-3/8	46-1/8

*Dimensions from wall to front of closed oven door

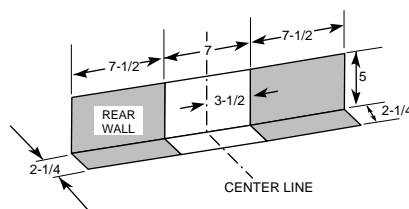


Listed by
Underwriters
Laboratories



All Hotpoint ranges are equipped with an Anti-Tip device. The installation of this device is an important, required step in the installation of the range.

30" free-standing range installation information (in inches)



Note: 30" Electric Ranges conform to U.L. requirements for 0" spacing from walls below countertops. However some kitchen cabinet finishes can be damaged by heat from the range heating elements. It is recommended that a clearance of at least 1-1/2 inches be maintained to walls. Where varnished wood or plastic film finishes are used, a minimum clearance of 6 inches should be maintained.

Receptacle locations

Locally approved flexible service cord or conduit must be used because terminals are not accessible after range installation. See shaded area in drawing for location of electrical outlet box. Recommended outlet locations allow range to be installed directly against rear wall.

Installation information: Before installing, consult installation instructions packed with product for current dimensional data.

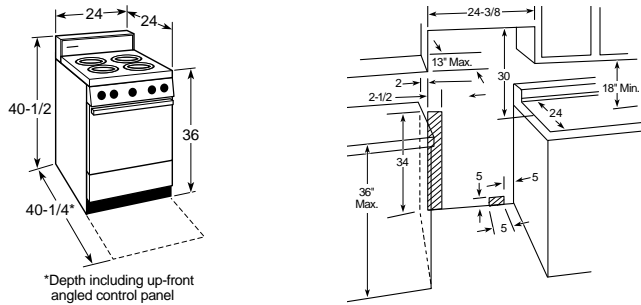
See page 71 for warranty information.

Electric range specifications

Hotpoint 24" and 20" electric ranges	24" range	20" range
Features	RA524W	RA520W
Color appearance	WH/AD*	WH/AD*
Oven cleaning	Standard	Standard
Oven shelves	2	2
Porcelain-enameled oven door	Solid CM*	Solid CM*
Broiler pan with grid	■	■
8-inch heating elements	1 Plug-in	1 Plug-in
6-inch heating elements	3 Plug-in	3 Plug-in
Removable drip bowls	Chrome	Chrome
Recessed lift-up cooktop	■	■
Porcelain-enameled subtop	■	■
Push-to-turn controls	■	■
Heating element "ON" indicator lights	2	2
Oven cycling light	■	■
Overall oven interior dimensions (W x H x D in inches)	19 x 14 x 19	16 x 15 x 19
KW rating @ 240V	8.2	8.2
@ 208V	6.2	6.2
Four leveling legs	■	■
Approx. ship. wt. (lbs.)	145	120

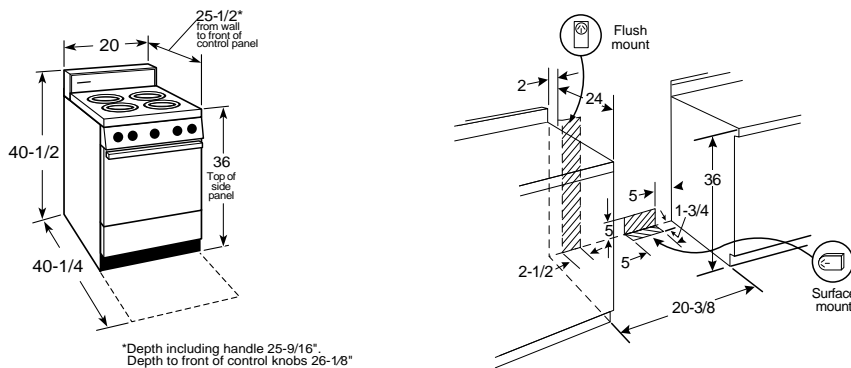
*WH=White, AD=Almond, CM=Color-Matched. Almond is a special order.

24" free-standing range dimensions and installation information (in inches)



Note: 24" Ranges conform to U.L. requirements for 0" spacing from range to adjacent walls below countertop. To reduce possibility of scorching of the side wall adjacent to the heating elements, it is recommended a 2" spacing from adjacent side walls be allowed for possible extended high-heat, no-load heating element operation.

20" free-standing range dimensions and installation information (in inches)



Note: Compact 20" Electric Ranges conform to U.L. requirements for 0" spacing from range to adjacent walls below countertop. To reduce possibility of scorching of side walls adjacent to heating elements, it is recommended a minimum of 2-1/2" spacing from adjacent side walls be allowed for possible extended, high-heat, no-load operation of heating elements.

Installation information: Before installing, consult installation instructions packed with product for current dimensional data.

Receptacle locations

Locally approved flexible service cord or conduit must be used because terminals are not accessible after range installation. See shaded area in drawings for location of electrical outlet box. Recommended outlet locations allow range to be installed directly against rear wall.



All Hotpoint ranges are equipped with an Anti-Tip device. The installation of this device is an important, required step in the installation of the range.



Listed by Underwriters Laboratories

Gas ranges

Hotpoint Capacity Plus™ gas ranges feature:

- Extra-large usable oven capacity
- Available with self-cleaning, continuous cleaning or standard clean oven
- Select models feature sealed burners that provide simmer capability and maximum output
- Extra-large broiler pan and grid
- Six embossed rack positions
- Upswept porcelain-enameled cooktop



Sealed gas burners

Special burner design helps contain spills and boilover liquids from dripping beneath cooktop for easy clean-up.



Simmer 600 burner

Offers true simmer capability with a low (600 BTU) setting. Provides low, even heat distribution for delicate foods and sauces.



Performance Plus burner

Provides maximum output (12,000 BTU) for fast heat-up and boiling.



EasySet clock and oven timer

Easy-to-use electronic touchpad controls and delayed baking function with the convenience of knobs for controlling the oven, make cooking simple.



Capacity Plus™ gas ranges

Extra-large oven has more usable capacity than any other leading brand. Sixth embossed rack position increases cooking flexibility.



One-piece upswept cooktop

Has no cracks or crevices to trap dirt. The porcelain enamel-on-steel surface wipes clean easily.



Extra-large broiler pan/grid

Porcelain-enameled broiler pan and grid are extra large. Allows for extra broiling space.



Lift-up cooktop with easy-clean subtop

Standard burner models have a cooktop that lifts up for easy access to porcelain-enameled subtop. Twin rod supports allow cooktop to lift and lock into place. No pipes or wires to interfere with clean-up.

All features may not be available on all models.

30" gas ranges



RGB745WEV
CAPACITY PLUS™



RGB744WEV
CAPACITY PLUS™



RGB745GEV
CAPACITY PLUS™



RGB744GEV
CAPACITY PLUS™

CAPACITY PLUS™ 30" free-standing gas ranges

Features more usable oven capacity than any other leading brand, a sixth embossed rack position, extra-large broiler pan, porcelain-enameled upswept cooktop, interior oven light and electronic pilotless ignition.

RGB745WEV

- White on white model
- Extra-large, self-cleaning oven
- Sealed cooktop burners
- Simmer 600 burner
- Performance Plus burner
- Heavy-steel grates
- In-oven broiling
- Frameless white glass oven door with window
- EasySet clock and oven timer
- Removable chrome drip pans
- Storage drawer

RGB745GEV

- Extra-large, self-cleaning oven
- Sealed cooktop burners
- Simmer 600 burner
- Performance Plus burner
- Heavy-steel grates
- In-oven broiling
- Frameless black glass oven door with window
- EasySet clock and oven timer
- Removable black porcelain-enameled drip pans
- Storage drawer

RGB744WEV

- White on white model
- Extra-large self-cleaning oven
- In-oven broiling
- Frameless solid white glass oven door
- Analog clock and timer
- Automatic oven timer
- Twin cooktop burners
- Lift-up cooktop
- Removable chrome drip pans
- Storage drawer

RGB744GEV

- Extra-large, self-cleaning oven
- In-oven broiling
- Frameless solid black glass oven door
- Analog clock and timer
- Automatic oven timer
- Twin cooktop burners
- Lift-up cooktop
- Removable black porcelain-enameled drip pans
- Storage drawer

For detailed specifications, installation information and color availability, refer to page 46. For warranty information refer to page 71.

30" gas ranges



RGB628GEV
CAPACITY PLUS™



RGB535GEV
CAPACITY PLUS™



RGB532BEW
CAPACITY PLUS™



RGB530BEW
CAPACITY PLUS™



RGB533WEW
CAPACITY PLUS™

CAPACITY PLUS™ 30" free-standing gas ranges



Features more usable oven capacity than any other leading brand, a sixth embossed rack position, extra-large broiler pan, porcelain-enameled, upswept cooktop, interior oven light, slide-out broiler drawer and electronic pilotless ignition.

RGB628GEV

- Extra-large continuous cleaning oven
- Frameless black glass oven door with window
- Electronic clock and timer
- Twin cooktop burners
- Lift-up cooktop

RGB535GEV

- Extra-large standard oven
- Sealed cooktop burners
- Simmer 600 burner
- Performance Plus burner
- Heavy-steel grates
- Frameless black glass oven door with window
- Electronic clock and timer
- Removable black porcelain-enameled drip pans

RGB533WEW

- White on white model
- Extra-large standard oven
- Sealed cooktop burners
- Simmer 600 burner
- Performance Plus burner
- Frameless white glass oven door with window
- Electronic clock and timer

RGB532BEW

- Extra-large standard oven
- Sealed cooktop burners
- Simmer 600 burner
- Performance Plus burner
- Frameless black glass oven door with window
- Electronic clock and timer

RGB530BEW

- Extra-large standard oven
- Sealed cooktop burners
- Frameless black glass oven door with window

RGB528GEV

- Extra-large standard oven
- Frameless black glass oven door with window
- Electronic clock and timer
- Twin cooktop burners
- Lift-up cooktop

RGB528ET

- White on white model
- Extra-large standard oven
- White porcelain-enameled oven door with window
- Electronic clock and timer
- Twin cooktop burners
- Lift-up cooktop



RGB528GEV
CAPACITY PLUS™



RGB528ET
CAPACITY PLUS™

For detailed specifications, installation information and color availability, refer to pages 46 and 47. For warranty information refer to page 71.

30" gas ranges



RGB526ET
CAPACITY PLUS™



RGB525ET/PT
CAPACITY PLUS™



RGB508BEW/BPW



RGB508ET/PT
CAPACITY PLUS™



RGB524EV/PV
CAPACITY PLUS™



RGB501PPW

CAPACITY PLUS™ 30" free-standing gas ranges

Models feature an extra-large standard oven and six embossed rack positions.

RGB526ET

- Extra-large standard oven
- Color-matched porcelain-enameled oven door with window
- Electronic clock and timer
- Twin cooktop burners
- Lift-up cooktop
- Slide-out broiler drawer
- Electronic pilotless ignition

RGB525ET

- White on white model
- Extra-large standard oven
- Solid white porcelain-enameled oven door
- Twin cooktop burners
- Lift-up cooktop
- Slide-out broiler drawer
- Electronic pilotless ignition

RGB525PT

- Same features as RGB525ET, except with standing pilot ignition system.

RGB524EV

- Extra-large standard oven
- Solid color-matched porcelain-enameled oven door
- Twin cooktop burners
- Lift-up cooktop
- Slide-out broiler drawer
- Electronic pilotless ignition

RGB524PV

- Same features as RGB524EV, except with standing pilot ignition system.

RGB508BEW

- Extra-large standard oven
- Frameless, solid black glass oven door
- Twin cooktop burners
- Lift-up cooktop
- Drop-down broiler door
- Electronic pilotless ignition

RGB508BPW

- Same features as RGB508BEW, except with standing pilot ignition system.

RGB508ET

- Extra-large standard oven
- Solid color-matched porcelain-enameled oven door
- Twin cooktop burners
- Lift-up cooktop
- Drop-down broiler door
- Electronic pilotless ignition

RGB508PT

- Same features as RGB508ET, except with standing pilot ignition system.

RGB501PPW

- Extra-large standard oven
- Solid white porcelain-enameled oven door
- Twin cooktop burners
- Lift-up cooktop
- Removable square one-piece wire grates
- Drop-down door broiler
- Standing pilot ignition system
- One oven shelf

Available in White only with pilot ignition.

For detailed specifications, installation information and color availability, refer to page 47. For warranty information, refer to page 71.



RGA524EW/PW

24" compact gas ranges with standard oven

RGA524EW

- Standard oven
- Electronic pilotless ignition
- Porcelain-enameled oven door
- Recessed, lift-up cooktop
- Round burner grates
- Push-to-turn controls

RGA524PW

- Same features as RGA524EW, except with standing-pilot ignition system.



RGA520EW/PW

20" compact gas ranges with standard oven

RGA520EW

- Standard oven
- Electronic pilotless ignition
- Porcelain-enameled oven door
- Recessed, lift-up cooktop
- Round burner grates
- Push-to-turn controls

RGA520PW

- Same features as RGA520EW, except with standing-pilot ignition system.

For detailed specifications, installation information and color availability, refer to page 45. For warranty information refer to page 71.

24" and 20" gas ranges

Features	RGA524EW/PW	RGA520EW/PW
Color appearance	WH/AD*	WH/AD*
Ignition system	Electronic/Pilot	Electronic/Pilot
Oven cleaning	Standard	Standard
Oven shelves	2	2
Porcelain-enameled oven door	Solid color-matched	Solid color-matched
Separate broiler drawer (with tip down door)	■	■
Broiler pan with grid	■	■
Recessed lift-up cooktop	■	■
Porcelain-enameled subtop	■	■
Round grates	■	■
Removable oven door	■	
Push-to-turn controls	■	■
Overall oven interior dimensions (WxHxD in inches)	19 x 14 x 19	14-7/8 x 16 x 19-1/2
Burner BTU's:		
Top (Nat/LP)	10,000/9,000	10,000/9,000
Oven (Nat/LP)	18,500/18,500	18,500/18,500
Gas range electrical rating**	120V, 60 Hz, 5A	120V, 60 Hz, 5A
Four leveling legs	■	■
Approx. ship. wt. (lbs.)	140	124

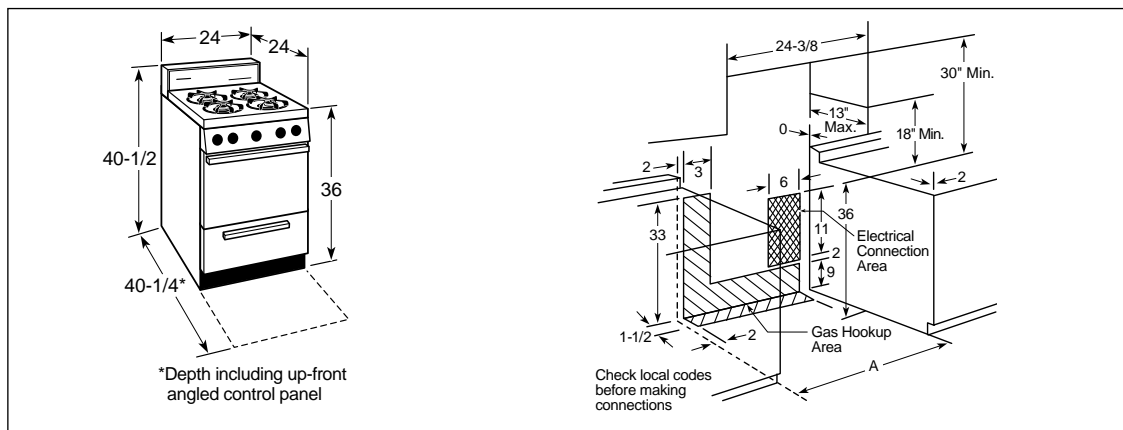
WH=White AD=Almond

*Almond model RGA524EW/PW must be special ordered

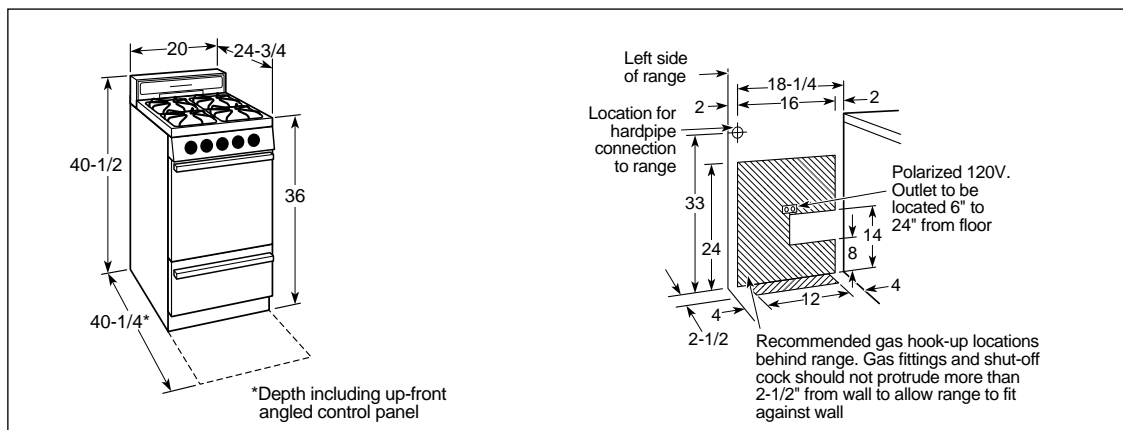
Factory set for natural gas. Can be converted to LP by a qualified technician.

**Electrical rating not applicable to standing pilot model RGA524PW and RGA520PW.

24" gas range dimensions and installation information (in inches)



20" gas range dimensions and installation information (in inches)



Installation information: Before installing, consult installation instructions packed with product for current dimensional data.

Gas range specifications

30" gas ranges

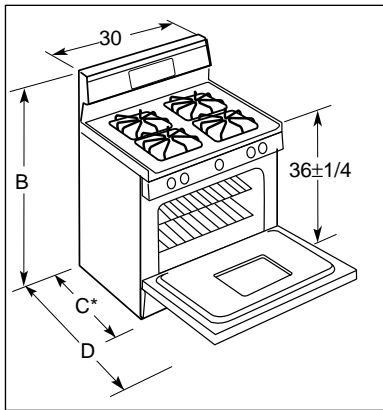
Features	RGB745WEV	RGB745GEV	RGB744WEV	RGB744GEV	RGB628GEV	RGB535GEV	RGB533WEV	RGB532BEW
Color appearance	WW	WH/AD	WW	WH/AD	WH/AD	WH/AD	WW	WH/AD
Extra-large oven	Self-cleaning	Self-cleaning	Self-cleaning	Self-cleaning	Continuous Cleaning	Standard Clean	Standard Clean	Standard Clean
Cooktop burners	Sealed	Sealed	Twin	Twin	Twin	Sealed	Sealed	Sealed
Performance Plus burner (Nat.)	(1) 12,000/ 1,000 BTU	(1) 12,000/ 1,000 BTU				(1) 12,000/ 1,000 BTU	(1) 12,000/ 1,000 BTU	(1) 12,000/ 1,000 BTU
Simmer 600 burner (Nat.)	(1) 5,000/ 600 BTU	(1) 5,000/ 600 BTU				(1) 5,000/ 600 BTU	(1) 5,000/ 600 BTU	(1) 5,000/ 600 BTU
All purpose sealed burners (Nat.)	(2) 9,500/ 850 BTU	(2) 9,500/ 850 BTU				(2) 9,500/ 850 BTU	(2) 9,500/ 850 BTU	(2) 9,500/ 850 BTU
Ignition system	Electronic	Electronic	Electronic	Electronic	Electronic	Electronic	Electronic	Electronic
In-oven broiling	■	■	■	■				
Slide-out broiler drawer					■	■	■	■
Frameless oven door	White Glass	Black Glass	Solid White Glass	Solid Black Glass	Black Glass	Black Glass	White Glass	Black Glass
Oven door with window	■	■			■	■	■	■
Handle style	Visor	Visor	Visor	Visor	Visor	Visor	Visor	Visor
Six embossed rack positions	■	■	■	■	■	■	■	■
Oven shelves	2	2	2	2	2	2	2	2
Interior oven light	■	■	■	■	■	■	■	■
Removable oven door	■	■	■	■	■	■	■	■
Removable storage drawer	■	■	■	■				
Lift-up cooktop			■	■	■			
Porcelain-enameled cooktop	Upswept	Upswept	Upswept	Upswept	Upswept	Upswept	Upswept	Upswept
Easy clean subtop			■	■	■			
Valves (degree of turn)	270°	270°	270°	270°	270°	270°	270°	270°
Removable square grates	Grey Heavy-steel	Black Heavy-steel	Grey	Black	Black	Black Heavy-steel	Grey	Black
Removable drip pans	Chrome	Black Porc.-Enam.	Chrome	Black Porc.-Enam.	Opt. Access.	Black Porc.-Enam.	Opt. Access.	Opt. Access.
Clock and minute timer	Electronic	Electronic	Analog	Analog	Electronic	Electronic	Electronic	Electronic
Automatic oven timer	Electronic	Electronic	■	■				
Overall oven interior dimensions (WxHxD in inches)	← 24x17x19 →							
Top burners* (000's BTU's) NAT/LP	(1)-12.0/9.5 (1)-5.0/3.5 (2)-9.5/7.0	(1)-12.0/9.5 (1)-5.0/3.5 (2)-9.5/7.0	9.0/8.0	9.0/8.0	9.0/8.0	← (1)-12.0/9.5 (1)-5.0/3.5 (2)-9.5/7.0 →		
Oven/broiler burners* (000's BTU's) NAT/LP	← 16.0/16.0 - Oven 12.0/12.0 - Broil →				18.0/16.5	← 18.0/16.5 →		
Gas range electrical rating**	← 120V, 60 Hz, 5A →							
LP conversion kit	■	■	■	■	■	■	■	■
Approx. shipping weight (lbs.)	185	185	185	185	165	185	185	185

WW=White on white WH/AD=White or Almond CM=Indicates color of oven door matches range cooktop (either White or Almond)

* Factory set for natural gas.

** Electrical rating not applicable to standing pilot models RGB525PT/RGB524PV/RGB508PT/RGB501PPW

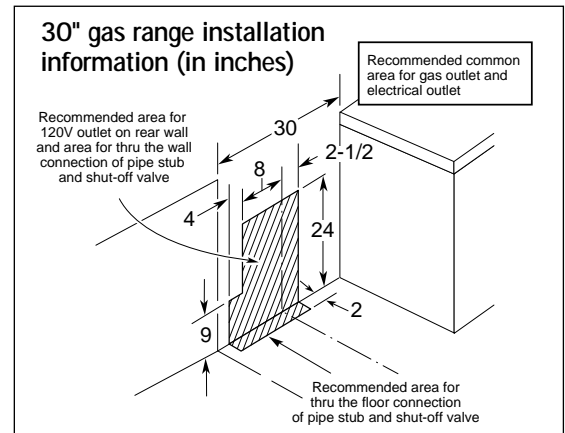
† LP conversion kit (part #WB28K0085) for models RGB508BEW/BPW, RGB508ET/PT and RGB501PPW can be ordered by calling 800-848-7722.



30" gas range dimensions (in inches)

Models	B Height	C* Depth	D Depth with door open
RGB745WEV	46-1/2	26-1/4	46-3/8
RGB745GEV	46-1/2	26-1/4	46-3/8
RGB744WEV	46-1/2	26-1/4	46-3/8
RGB744GEV	46-1/2	26-1/4	46-3/8
RGB628GEV	46-1/2	26-1/4	46-3/8
RGB535GEV	46-1/2	26-1/4	46-3/8
RGB533WEV	46-1/2	26-1/4	46-3/8
RGB532BEW	46-1/2	26-1/4	46-3/8
RGB530BEW	46-1/2	26-1/4	46-3/8
RGB528GEV	46-1/2	26-1/4	46-3/8
RGB528ET	46-1/2	25-1/2	46-3/8
RGB526ET	46-1/2	25-1/2	46-3/8
RGB525ET/PT	44	25-1/2	46-3/8
RGB524EV/PV	44	25-1/2	46-3/8
RGB508BEW/BPW	39-7/8	25-1/2	46-3/8
RGB508ET/PT	39-7/8	25-1/2	46-3/8
RGB501PPW	40	25-1/2	45-1/4

* Dimension from wall to front of closed oven door



Optional gas range accessory drip pans (Available at additional cost)

To order these accessory drip pans, call toll-free 800-848-7722.

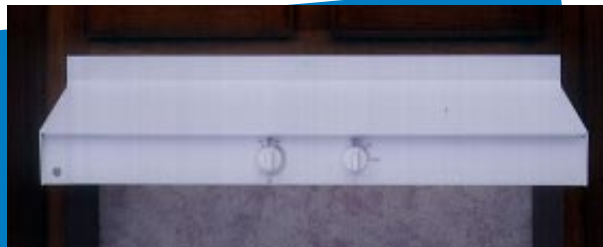
Installation information: Before installing, consult installation instructions packed with product for current dimensional data.



GE High Performance and Performance Hoods are designed with an easy-to-clean continuous surface and two large filters that can be cleaned at the sink or dishwasher.

The High Performance hoods are recommended for use with grill/griddle cooktops. Powerful CFM performance draws smoke and odors up and out of the kitchen.

High performance



JV376V

- 30" vented hood
- Available in White on white or Black on black
- Rotary controls
- 2 cooktop lights
- Night Light setting
- Variable speed fan control
- Vertical or rear exhaust (410/380 CFM)
- 3-1/4" x 10" rectangular duct

Performance



JV356V

- 30" width
- Available in White on white, Black on black or Almond on almond
- Rotary controls
- Variable speed fan control
- 250 CFM (max.)
- 2 cooktop lights
- Night Light setting
- Convertible exhaust options (rectangular or non-vented)
- Rectangular damper included

JV656V (not shown)

- 36" width

Deluxe



JV347X

- 30" width
- Available in White on white, Black on black or Almond on almond
- Rotary control
- Three-speed fan
- Cooktop light with Night Light setting
- Light cover
- Convertible exhaust (Shipped in non-vented configuration, convertible to round or rectangular exhaust.)
- Rectangular damper included

JXDA22 round damper accessory, available at additional cost.

Standard



JV327X

- 30" width
- 7" round duct
- Easy-to-use rocker switches
- Two-speed fan
- Cooktop light
- Available in White or Almond

JXDA22 round damper accessory, available at additional cost.

JV337X (not shown)

- 3-1/4" x 10" rectangular duct
- Rectangular damper included

JN327X (not shown)

- Non-vented

For detailed specifications, installation information and color availability, refer to page 49. For warranty information, refer to page 71.

Hoods

Width	High Performance	Performance	Deluxe	Standard		
30"	JV376V	JV356V	JV347X	JV327X	JV337X	JN327X
36"		JV656V				

Performance

Variable speed fan control	■	■				
Three-speed fan control			■			
Two-speed fan control				■	■	■
Vertical exhaust (CFM)	410	250	180	160	160	
Rear exhaust (CFM)	380	230	160		150	
Sones rating:						
Top exhaust	5.5	5.5	8.0	8.0	8.0	
Rear exhaust	5.5	5.5	8.0		8.0	

Convenience

Cooktop light(s)†	2	2	1	1	1	1
Night light position on light switch	■	■	■			
Removable grease filters	2	2**	Disposable 1-Pc. Filter	1	1	Disposable 1-Pc. Filter

Appearance

Color appearance*	WW/BB	WW/BB/AA	WW/BB/AA	Almond or White	Almond or White	Almond or White
-------------------	-------	----------	----------	-----------------	-----------------	-----------------

Exhaust Options

3-1/4" x 10" rectangular duct	■	Option	Option		■	
7" round duct			Option	■		
Non-vented		Option	Option			■

General Features/Dimensions

Damper included (rectangular)	■	■	■		■	
Optional damper accessory (round)			JXDA22	JXDA22		
Filter size (sq. in.)	162	162/256	90	90	90	90
Current rating amps @ 120V	2.5	1.4	2.5	2.5	2.5	2.5
Approximate shipping weight (lbs.)	43	35	20	14	17	19

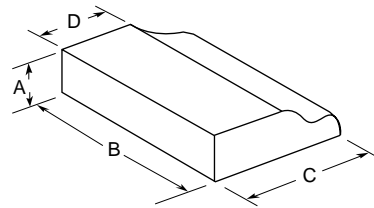
*WW = White on white, BB = Black on black, AA = Almond on almond

**WB13X5008 removable charcoal filter (for non-vented use) is available at additional cost. Call toll-free 800-626-2002.

†Light bulbs not furnished.

Dimensions (in inches)

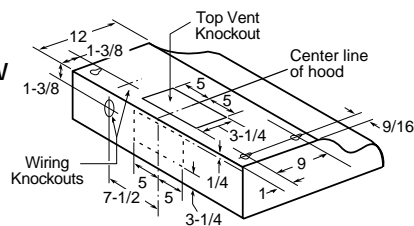
Model	A	B	C	D
JV376V	7	29-7/8	19-3/4	12
JV356V	7	29-7/8	19-3/4	12
JV656V	7	35-7/8	19-3/4	12
JV347X	5-1/2	29-7/8	17-1/2	12
JV337X	5-1/2	29-7/8	17-1/2	12
JV327X	5-1/2	29-7/8	17-1/2	12
JN327X	5-1/2	29-7/8	17-1/2	12



Hood dimensions (in inches)

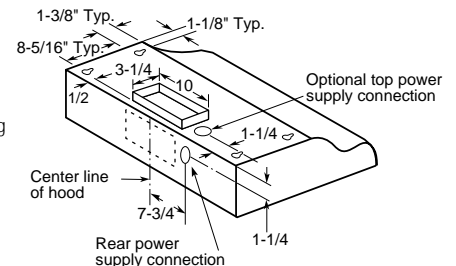
1 Models: JV656V, JV376V and JV356V

Exhaust outlet connects to 3-1/4" x 10" rectangular duct. Vent top or rear. Includes rectangular damper.



2 Models: JV347X* and JV337X

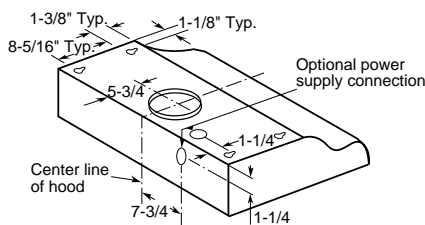
*JV347X—Refer to this drawing for rectangular exhaust option. Refer to drawing 3 for round exhaust option. Exhaust outlet connects to 3-1/4" x 10" rectangular duct. Vent top or rear. Includes rectangular damper.



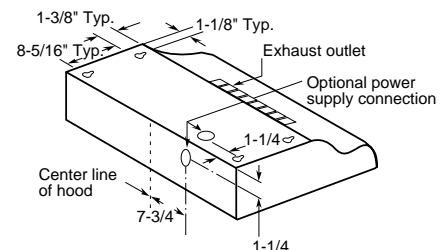
3 Models: JV347X* and JV327X

*JV347X—Refer to this drawing for round exhaust option. Refer to drawing 2 for rectangular exhaust option.

Exhaust outlet connects to 7" diameter duct. Vent top only. Round damper accessory, JXDA22, available at additional cost.



4 Model: JN327X



Note: Before installing, consult installation instructions [Pub. No. 49-8646 (JV376); Pub. No. 49-8664 (JV337/327/347/JN327); Pub. No. 49-8645 (JV356/656)] packed with product for current dimensional data.

Counter Saver Plus™ microwave ovens

Microwave convenience with no loss of usable space

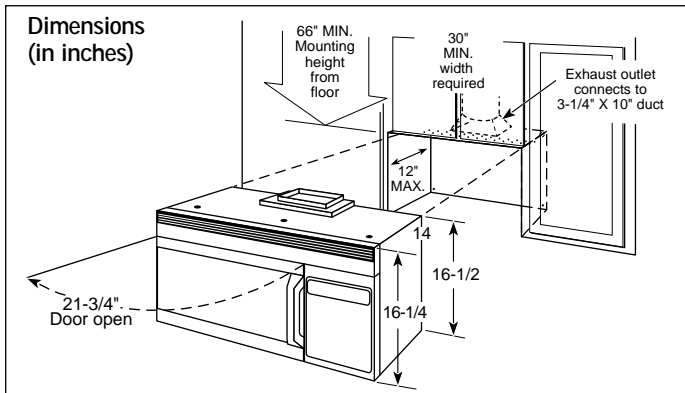
Installs in the same space as a range hood. Counter Saver Plus™ microwave ovens are equipped with a built-in venting system, an enhanced two-speed, high-capacity exhaust fan plus Full-View cooktop lighting which illuminates the entire range cooking surface. The addition of a Counter Saver Plus™ microwave oven over your range creates a complete cooking center!



RVM1325BW



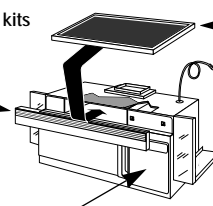
RVM1325WW



Important: When installing the Counter Saver Plus™ microwave oven over a range, allow minimum of 2" from bottom of Counter Saver Plus™ microwave oven to top of range backguard to allow for removal of light covers.

Optional accessories (Available at additional cost)

- For 11" and 12" height filler panel kits
- JX41BL-Black filler panel kit
- JX40WH-White filler panel kit
- For 15" height filler panel kits
- JX42BL-Black filler panel kit
- JX42WH-White filler panel kit



JX81A-Recirculating charcoal filter kit
To be used when the Counter Saver Plus™ microwave oven cannot be vented to the outside.

When replacing a 36" or 42" range hood, these kits fill in the additional width to provide a custom, built-in appearance. For installation between cabinets only; not for end-of-cabinet installation. Each kit contains two, 3" wide filler panels. Two kits are needed for a 42" opening.

Ventilation options

The Counter Saver Plus™ microwave oven is designed for adaptation to the following three types of ventilation:

Outside exhaust (Vertical—as shown above)

Outside exhaust (Horizontal)

Recirculating (Non-vented ductless—see Filter Kit Drawing)

Note: Before installing, consult installation instructions for current dimensional data on these three types of ventilation.

Important: When installing the Counter Saver Plus™ microwave oven over a range, allow minimum of 2" from bottom of the Counter Saver Plus™ microwave oven to top of range backguard to allow for removal of light covers.

Counter Saver Plus™ microwave ovens

The design of the Counter Saver Plus™ microwave ovens complements any kitchen. Available in black or white on white styling. Enjoy the convenience of microwave cooking with eye-level controls, directly above your range or cooktop in the space of a range hood.



1.3 cu. ft. oven cavity

The 1.3 cu. ft. oven cavity has room for extra-large casserole dishes, or 2 dishes side by side.

850 watts

Powerful 850 watts¹ of microwave output for fast cooking and reheating.

Help Pad

This convenient feature provides descriptive word prompts and eliminates the guesswork.

Auto/Time Defrost

Permits defrosting a variety of foods in minutes instead of hours. Automatically sets defrosting time and power level. Enter food weight and the oven does the rest.

Time Cook I & II

Allows you to set two time controlled cooking functions within one program.

Minute Cook

A shortcut to set cook times from 1 to 6 minutes. Automatically cooks at full power with the touch of one pad.

10 power levels

A choice of 10 power levels for maximum cooking flexibility, from warming and reheating, to the full speed of microwave cooking at high power.

Reheat

Offers the flexibility of automatically reheating a variety of popular foods from a cup of coffee to a plate of leftovers.

Popcorn

This feature maximizes popping without scorching. For use with three popcorn bag sizes, 3.5, 3.0 and 1.75 oz.

Instant On controls

- Minute Cook (1-6 minutes)
- Add 30 seconds
- Popcorn

Easy, one-step features. Simply press the desired function and the oven automatically begins to cook. No need to press START.

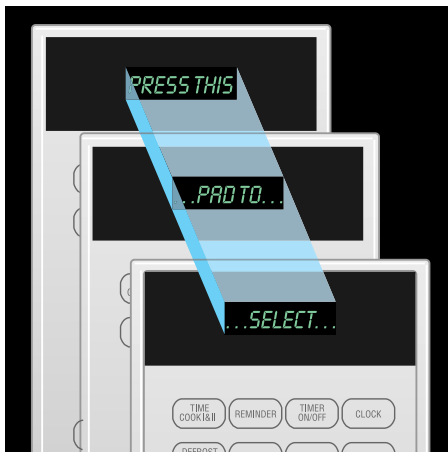
Full-View cooktop lighting

Provides better distribution of light over the entire cooking surface.

Enhanced two-speed, high-capacity exhaust fan

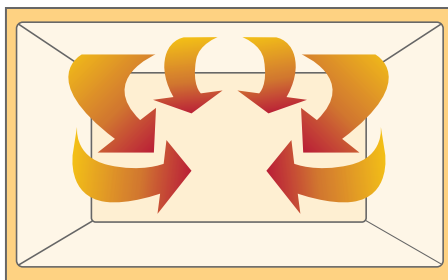
A smoke removal system that provides quieter operation, yet gives better performance and requires less clean-up.

¹IEC-705 Test Procedure



Interactive Display System

Easy-to-read horizontal scrolling display is designed to make cooking easier, and give you the flexibility of programming several functions at once.



The Counter Saver Plus™ microwave ovens feature a DualWave microwave distribution system that results in even cooking. This top feed stirrer system allows microwave distribution to surround the food for thorough, fast cooking.

Counter Saver Plus™ microwave ovens

Features	RVM1325BW	RVM1325WW
Watts (IEC-705 Test Procedure)	850	850
Oven cavity (cu. ft.)	1.3	1.3
Door color	Black	White
Case color	Black	White
Power levels	10	10
Electronic touch controls	■	■
Interactive display system	■	■
Electronic scrolling digital display w/Clock and AM/PM	■	■
Variable scroll speed	■	■
Concurrent programming	■	■
Help pad	■	■
Display on/off	■	■
DualWave cooking system	■	■
Time Cook pad	I & II	I & II
Auto Defrost/Time Defrost pad	■	■
Popcorn pad*	■	■
Reheat pad	■	■
Minute cook (1-6 minutes)	■	■
Add 30 Seconds pad	■	■
Instant on controls	■	■
Cooking complete reminder	■	■
Delay Start pad	■	■
Timer On/Off pad	■	■
Reminder pad	■	■
Child lock-out	■	■
Full-View cooktop lighting	■	■
Two-speed high-capacity exhaust fan	300 CFM	300 CFM
Easy mount installation	■	■
Frequency (MHz)	2450	2450
Electrical Input @ 120V	Watts 1480	1480
	Amps 15	15
Warranty**	1-Yr. In-Home	1-Yr. In-Home
Limited four-year magnetron warranty** (5 years total)	■	■
Dimensions	Cavity	19 x 9-1/8 x 12-1/2
WxHxD (in inches)	Exterior*	29-7/8 x 16-1/2 x 14
Approx. shipping weight (lbs.)		70

*For use with three sizes of popcorn packaging, 3.5, 3.0 and 1.75 oz.

**Full One-Year Warranty

In-home parts and labor included. Plus additional four-year limited warranty on magnetron tube (parts only). See written warranty for details.



Listed by Underwriters Laboratories

GE Turntable countertop microwave ovens

GE Turntable Countertop microwave ovens provide

Time Cook, 10 power levels, Easy-to-clean removable glass turntable, Electronic touch controls with digital display and clock, Auto Defrost, Time Defrost, Express Cook, Cooking Complete Reminder, Instant On Controls, Kitchen Timer, Sound On/Off, Delay Start/Reminder, Child Lock Out, Add 30 Seconds



JE1550GY with Sensor Cooking Controls

- Full-size 1.5 cu. ft. oven cavity ■ 1000 watts* ■ Scrolling Display
- Sensor Cooking Controls for Popcorn, Beverage, Reheat and Cook pads
- Built-in kit available at additional cost (refer to page 56)

JE1550WY

- White model

Sensor Cooking Controls

Sophisticated GE sensors automatically monitor and control cooking times and power levels. The built-in sensor detects steam emitted by cooking food. These automatic functions take the guesswork out of microwave cooking.

Scrolling Display

Gives you the flexibility of programming several functions at once for meal preparation.

Convenience Cooking Controls

Five pads offer flexibility and convenience: BEVERAGE, for quick heating of coffee, tea or cocoa. POPCORN, designed for pre-packaged popcorn bags—maximizes popping without scorching. REHEAT, for heating many popular foods. SNACKS, perfect for pizza and muffins. COOK, a great cooking function for meats and vegetables—automatically programs exact time and power level needed for cooking.



JE1250WY

- Family-size 1.2 cu. ft. oven cavity ■ 1000 watts* ■ Scrolling Display
- Sensor Cooking Controls for Popcorn, Beverage, Reheat and Cook pads
- Built-in kit available at additional cost (refer to page 56)



JE1540AW with Convenience Cooking Controls

- Full-size 1.5 cu. ft. oven cavity ■ 1000 watts* ■ Convenience Cooking Controls for Popcorn, Beverage, Reheat, Snacks and Cook pads
- Built-in kit available at additional cost (refer to page 56)



JE1540WW
White on white



JE1540GW
Black with
Greystone case

*IEC-705 Test Procedure

For detailed specifications, installation information and color availability, refer to page 56. For warranty information, refer to page 71.

GE Turntable countertop microwave ovens



JE1340WY with Convenience Cooking Controls

■ Family-size 1.3 cu. ft. oven cavity ■ 1000 watts* ■ Convenience Cooking Controls for Popcorn, Beverage, Reheat, Snacks and Cook pads



JE1340GY
Black with
Greystone case



JE1040WY with Convenience Cooking Controls

■ Mid-size 1.0 cu. ft. oven cavity ■ 1000 watts* ■ Convenience Cooking Controls for Popcorn, Beverage, Reheat, Snacks and Cook pads

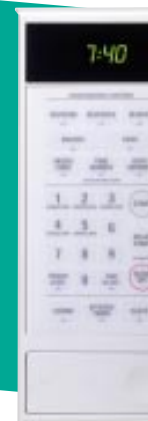


JE1040GY
Black with
Greystone case



JE740WY with Convenience Cooking Controls

■ Compact .7 cu. ft. oven cavity ■ 700 watts* ■ Convenience Cooking Controls for Popcorn, Beverage, Reheat, Snacks and Cook pads ■ Undercabinet hanging kit available at additional cost (refer to page 57)



JE740GY
Black with Greystone case

*IEC-705 Test Procedure

For detailed specifications, installation information and color availability, refer to page 56. For warranty information, refer to page 71.

GE Spacemaker II™ microwave ovens

GE Spacemaker II™ microwave ovens provide

.9 cu. ft. oven cavity, 800 watts*, Delay Start/Reminder, Time Defrost, Auto Defrost, Time Cook, Express Cook, Instant On Controls, Sound On/Off, Built-in or undercabinet hanging kit available at additional cost (refer to page 57)

All models can be used as countertop microwave ovens, installed under kitchen cabinets, or built into the wall, leaving counter space free for other uses. Conveniently store canisters, recipe files, spice racks, or use the counter space for a handy work surface close to the oven.

Sensor Cooking Controls

Sophisticated GE sensors automatically monitor and control cooking times and power levels. The built-in sensor detects steam emitted by cooking food. These automatic functions take the guesswork out of microwave cooking.



JEM31WY with Sensor Cooking Controls
 ■ Mid-size ■ .9 cu. ft. oven cavity ■ Sensor Cooking Controls for Popcorn, Beverage, Reheat and Vegetable/Potato/Chicken (Fish) pad

JEM31GY (not shown)
 ■ Black with greystone case



JEM25WY with Convenience Cooking Controls
 ■ Mid-size ■ .9 cu. ft. oven cavity ■ Convenience Cooking Controls for Popcorn, Beverage, Reheat, Snacks and Cook pads

JEM25GY (not shown)
 ■ Black with greystone case

*IEC-705 Test Procedure

For detailed specifications, installation information and color availability, refer to page 57. For warranty information, refer to page 71.

GE Subcompact microwave ovens

GE Subcompact microwave ovens provide

.5 cu. ft. oven cavity, 600 watts*, Turntable, Undercabinet hanging kit available at additional cost (refer to page 57)

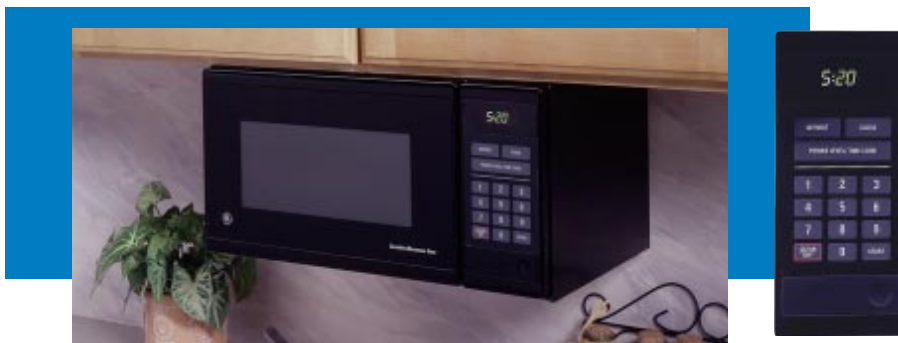
Subcompact Microwave Ovens offer attractive styling in a space-saving design. Can be used as a countertop oven or mounted under kitchen wall cabinets. Ideal for convenient cooking within limited counter space.

Undercabinet mounting kit

Install Spacemaker II™, Compact and Subcompact microwave ovens in just a few easy steps with an under-cabinet hanging kit. The mounting template provides all the necessary measurements for installation. These microwave ovens can be conveniently installed on practically any wood or metal cabinets.

Pub. No. 4-A019-4

(For use with Models JEM31GY, JEM31WY, JEM25WY, JEM25GY, JE740GY, JE740WY, JE520BW, JE510BW)



JE520BW

- Subcompact ■ Electronic touch controls with electronic digital display and clock (LED) ■ Time Cook ■ Time Defrost
- Cooking Complete Reminder ■ 10 power levels



JE510BW

- Subcompact ■ 15-minute timer ■ 1 power level

GE Value Line Countertop microwave ovens

GE Value Line Countertop microwave ovens provide

Turntable, Instant On Controls, Auto Defrost, Auto Start, Quick Set, Electronic digital display with clock, Child Lock Out



JE1235WW

- Full-size ■ 1.2 cu. ft. ■ 900 watts* ■ Convenience Cooking Controls for Beverage, Popcorn, Frozen Pizza, Dinner Plate, Baked Potato, Vegetables and Soup, Time Preference

JE835WW with Convenience Cooking Controls (not shown)

- Mid-size ■ .8 cu. ft. ■ 800 watts* ■ Convenience Cooking Controls for Beverage, Popcorn, Frozen Pizza, Dinner Plate, Baked Potato, Vegetables and Soup, Time Preference

JE635WW with Convenience Cooking Controls (not shown)

- Compact ■ .6 cu. ft. ■ 600 watts* ■ Convenience Cooking Controls for Beverage, Popcorn, Frozen Pizza, Dinner Plate, Baked Potato, Vegetables

*IEC-705 Test Procedure

For detailed specifications, installation information and color availability, refer to page 57. For warranty information, refer to page 71.

GE Microwave oven specifications

GE Countertop microwave ovens

	Full-Size		Family-Size		Mid-Size	Compact
	JE1550GY JE1550WY	JE1540AW JE1540GW JE1540WW	JE1250WY	JE1340GY JE1340WY	JE1040GY JE1040WY	JE740GY JE740WY
Capacity						
Oven cavity (cu. ft.)	1.5	1.5	1.2	1.3	1.0	.7
Performance						
Watts (IEC-705 Test Procedure)	1000	1000	1000	1000	1000	700
Power levels	10	10	10	10	10	10
Turntable	■	■	■	■	■	■
Electronic Touch Controls	■	■	■	■	■	■
Beverage	Sensor	■	Sensor	■	■	■
Cook	Sensor	■	Sensor	■	■	■
Reheat	Sensor	■	Sensor	■	■	■
Popcorn	Sensor	■	Sensor	■	■	■
Snacks	■	■	■	■	■	■
Micro Cook/Time Cook	■	■	■	■	■	■
Scrolling display w/help	■	■	■	■	■	■
Convenience						
Express Cook	■	■	■	■	■	■
Instant On Controls	■	■	■	■	■	■
Delay Start/Reminder	■	■	■	■	■	■
Add 30 Seconds	■	■	■	■	■	■
Kitchen timer	99-M./99-S.	99-M./99-S.	99-M./99-S.	99-M./99-S.	99-M./99-S.	99-M./99-S.
Electronic digital display w/clock	■	■	■	■	■	■
Child lock out	■	■	■	■	■	■
Auto Defrost	■	■	■	■	■	■
Time Defrost	■	■	■	■	■	■
Cooking Complete Reminder	■	■	■	■	■	■
Sound On/Off	■	■	■	■	■	■
Appearance						
Color appearance*	BB WW	AA BB WW	BB	BB WW	BB WW	BB WW
Door color	Black White	Almond Black White	Black	Black White	Black White	Black White
Case color	Greystone	Almond Greystone White	Greystone	Greystone White	Greystone White	Greystone White
General Features/Dimensions						
Optional built-in kit	JX1527MWWW/ 1530MWWW JX1527MBW/ 1530MBW	JX1527MAW/ 1530MAW JX1527MBW/ 1530MBW JX1527MWWW/ 1530MWWW				
Optional hanging kit						Pub. No. 4-A019-4
One-Year Warranty**	Full In-Home	Full In-Home	Carry-In	Carry-In	Carry-In	Carry-In
Limited Nine-Year Magnetron Warranty** (10 years total)	■	■	■	■	■	■
Frequency (MHz)	2450	2450	2450	2450	2450	2450
Electric input @ 120V	Watts 1500 Amperage 13.3	1500 13.3	1500 13.0	1450 12.5	1370 12.5	1050 10.0
WxHxD (in inches)	Cavity ← 16-1/2 x 9-3/16 x 16-27/32 →		14-3/4 x 8-1/2 x 16-7/8	14-7/8 x 8-3/4 x 16-3/4	13-11/16 x 8-5/16 x 14-15/16	12-1/16 x 7-11/16 x 12-1/16
	Exterior † ← 23-21/32 x 13-5/16 x 17-21/32 →		21-3/4 x 12-1/2 x 17-1/4	21-5/8 x 12-3/8 x 17-1/2	20-1/2 x 11-7/8 x 15-7/8	19-1/4 x 10-13/16 x 13-9/16
Approx. shipping wt. (lbs.)	50	50	42	43	39	32

* BB = Black on black, WW = White on white, AA = Almond on almond.

** See written warranty for details.

† Exterior dimensions: height includes feet.

GE Microwave oven trim kits

Optional accessory trim kits for GE 1.5 microwave ovens (Available at additional cost)

For a custom built-in appearance, these kits allow built-in installation of the countertop microwave oven into a wall or cabinet alone and are U.L.-approved for installation over a GE single electric wall oven. These kits should not be installed over a gas wall oven.

GE 30" deluxe accessory trim kits

JX1530MAW—30" Almond
JX1530MBW—30" Black
JX1530MWW—30" White

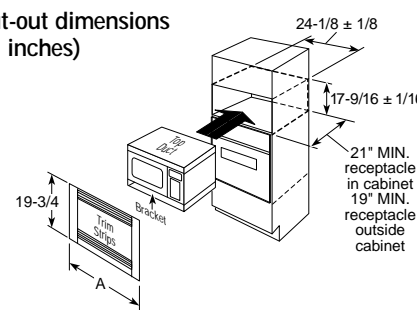
Model	"A"	30" Deluxe Accessory Trim Kit
JE1550GY/WY	29-3/4"	JX1530MBW
JE1540WW	29-3/4"	JX1530MWW
JE1540GW	29-3/4"	JX1530MBW
JE1540AW	29-3/4"	JX1530MAW

GE 27" deluxe accessory trim kits

JX1527MAW—27" Almond
JX1527MBW—27" Black
JX1527MWW—27" White

Model	"A"	27" Deluxe Accessory Trim Kit
JE1550GY/WY	26-3/4"	JX1527MBW
JE1540WW	26-3/4"	JX1527MWW
JE1540GW	26-3/4"	JX1527MBW
JE1540AW	26-3/4"	JX1527MAW

Cut-out dimensions (in inches)



This information is not intended to be used for installing unit described. Before installing, consult installation instructions packed with product/kit for current dimensional data.

See page 71 for warranty information.

GE Spacemaker II™ microwave ovens

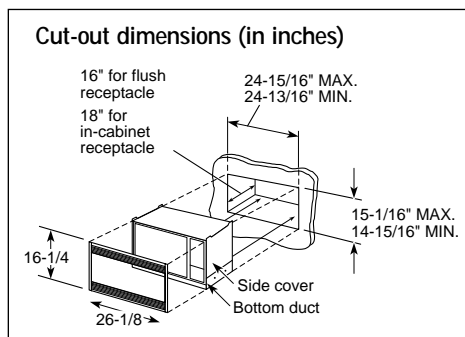
	JEM31GY JEM31WY	JEM25GY	JEM25WY
Capacity			
Oven cavity (cu. ft.)	.9	.9	.9
Performance			
Watts (IEC-705 Test Procedure)	800	800	800
Electronic Touch Controls	■	■	■
Beverage	Sensor	■	■
Cook	Sensor	■	■
Reheat	Sensor	■	■
Popcorn	Sensor	■	■
Snacks	■	■	■
Power levels	10	10	10
Time Cook	■	■	■
Scrolling display w/help	■		
Convenience			
Add 30 Seconds	■	■	■
Electronic digital display w/clock	■	■	■
Instant On Controls	■	■	■
Express Cook	■	■	■
Delay Start/Reminder	■	■	■
Child Lock Out	■	■	■
Auto Defrost	■	■	■
Time Defrost	■	■	■
Sound On/Off	■	■	■
Kitchen timer	99-M./99-S.	99-M./99-S.	99-M./99-S.
Cooking Complete Reminder	■	■	■
Appearance			
Color appearance*	BB/WW	BB	WW
Door color	Black/White	Black	White
Case color	Greystone/White	Greystone	White
General Features/Dimensions			
Hanging kit (Pub. No. 4-A019-4)**	Optional	Optional	Optional
Optional built-in kit	JX827BN/WW	JX827BN	JX827WN
One-Year Warranty†	Full In-Home	Carry-In	Carry-In
Nine-Year Magnetron Warranty† (10 years total)	Limited	Limited	Limited
Frequency (MHz)	2450	2450	2450
Electrical input			
Watts	1300	1300	1300
@ 120V			
Amperage	12.5	12.5	12.5
WxHxD			
Cavity	← 16-1/2 x 7-7/16 x 11-1/4 →		
(in inches)	← 23-13/16 x 11-3/16 x 12-5/16 →		
Exterior††			
Approx. shipping wt. (lbs.)	46	43	43

*BB = Black on black, WW = White on white.
 **Pub. No. 4-A019-4 is available at additional cost.
 †See written warranty for details.
 ††Exterior dimensions: height includes feet.

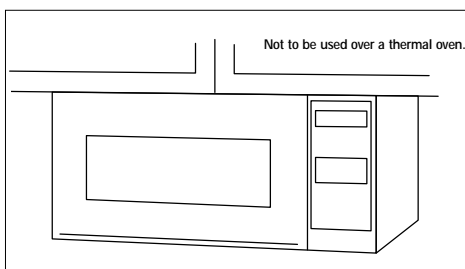
GE Subcompact microwave ovens

	JE520BW	JE510BW
Capacity		
Oven cavity (cu. ft.)	.5	.5
Performance		
Watts (IEC-705 Test Procedure)	600	600
Turntable	■	■
Power levels	10	1
Convenience		
Electronic digital display w/clock (LED)	■	
Time Defrost	■	
Time Cook	■	15 Min.
Cooking Complete Reminder	■	
Appearance		
Door color	Black	Black
Case color	Black	Black
General Features/Dimensions		
Hanging kit (Pub. No. 4-A019-4)*	Optional	Optional
One-Year warranty** Carry-In	Carry-In	
Four-year Magnetron warranty** (Five years total)	■	■
Electrical input		
Watts	950	950
@ 120V		
Amperage	8.5	8.5
WxHxD		
Cavity	← 11-3/32 x 6-11/16 x 11-7/32 →	
(in inches)	← 18-5/32 x 9-19/32 x 12-11/16 →	
Exterior †		
Approx. shipping wt. (lbs.)	29	29

*Pub. No. 4-A019-4 is available at additional cost.
 **See written warranty for details.
 †Exterior dimensions: height includes feet.



Undercabinet mounting kit Pub. No. 4-A019-4 For GE Spacemaker II™, compact and subcompact microwave oven models (Available at additional cost)



Note: 120V, 60-cycle, grounded power receptacle location optional on back within cabinet opening. This information is not intended to be used for installing unit described. Before installing, consult installation instructions packed with product/kit for current dimensional data.

GE Value Line countertop microwave ovens

	JE1235WW	JE835WW	JE635WW
Capacity			
Oven cavity (cu. ft.)	1.2	.8	.6
Performance			
Watts (IEC-705 Test Procedure)	900	800	600
Turntable	■	■	■
Electronic Touch Controls	■	■	■
Power levels	10	10	10
Convenience Cooking Controls			
Beverage	■	■	■
Popcorn	■	■	■
Frozen Pizza	■	■	■
Dinner Plate	■	■	■
Baked Potato	■	■	■
Vegetables	■	■	■
Soup	■	■	■
Convenience			
Instant On Controls	■	■	■
Auto Defrost	■	■	■
Time Preference	■	■	■
Quick Set	■	■	■
Auto Start	■	■	■
Electronic digital display w/clock	■	■	■
Child Lock Out	■	■	■
Appearance			
Door color	White	White	White
Case color	White	White	White
General Features/Dimensions			
One-Year warranty*	Carry-In	Carry-In	Carry-In
Limited four-year Magnetron warranty* (Five years total)	■	■	■
Frequency (MHz)	2450	2450	2450
Electrical input @ 120V			
Watts	1380	1200	920
Amperage	12.0	10.5	8.0
Cavity	14-11/16 x 9-3/16 x 14-5/8	12-5/8 x 8-1/2 x 13-3/16	11-3/8 x 7-7/8 x 11-5/8
WxHxD (in inches)	Exterior †	22-3/16 x 12-3/16 x 16-5/16	19-1/2 x 11-3/8 x 15-1/8
Approx. shipping wt. (lbs.)	40	35	29

*See written warranty for details.
 †Exterior dimensions: height includes feet.

Accessory trim kits for GE .9 microwave ovens (Available at additional cost)

For a custom built-in appearance, this kit allows built-in installation of the Spacemaker II™ microwave oven into a wall or cabinet alone, and is U.L.– approved for installation over a GE single electric wall oven. This kit should not be installed over a gas wall oven.

JX827BN—JEM31GY, JEM25GY, JX827WN—JEM31WY, JEM25WY

Undercabinet installation

Install Spacemaker II™, Compact and Subcompact microwave ovens in just a few easy steps with the mounting template, which provides all the necessary measurements.* These microwave ovens can be installed on practically any wood or metal cabinets.

*Installation may vary depending on cabinets.

See page 71 for warranty information.

Hotpoint dishwashers offer new features for today's customers



New Power Wash II System
Three-level wash action with powerful jet action for effective food soil removal and great wash performance.

Self-cleaning filter

Water recirculates through filtering system, food particles are washed away as water drains and filter cleans itself.



Pots & Pans cycle
Removes dried-on and baked-on (but not burned-on) food from pots, pans and dishes.



Delay Start
Sets the dishwasher to start as much as six hours later.



Crystal Clear™ rinse aid dispenser
Container automatically releases a small amount of rinse agent, which speeds drying and lessens water spotting and streaking.



3-Level "Wall of Water"
Completely covers any item in dishwasher, providing excellent wash performance.



Toe kick & access panel insulation
Fiberglass insulation in toe kick and access panel minimizes operating noise.



Super upper rack
Extra-deep racks include an upper rack that accommodates tall glasses. Extra fold-up cup shelves allow for double-stacking of dishes.



Deluxe flat lower rack
The rack has curved tines to accommodate stoneware and large plates or broiler pans.



Super silverware basket
A heavy-duty lift-out silverware basket is included in the lower rack. A special added feature is the hinged cover on the basket which holds lightweight items in place during washing.

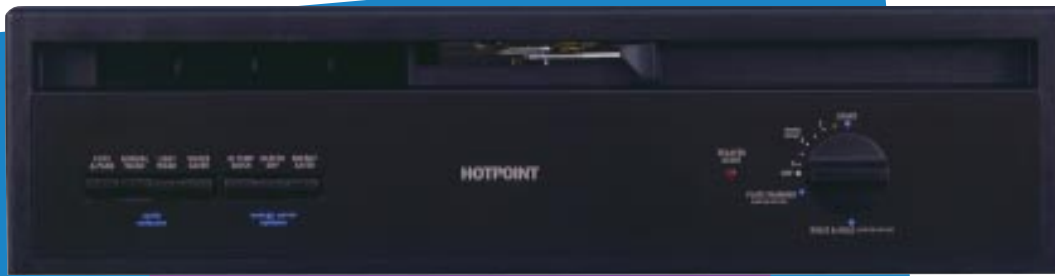


Durable tub and door liner
Guaranteed against leakage from cracking, peeling, chipping or rusting for ten years.



Trimless Appearance
Door and access panel have a screwless, trimless appearance.

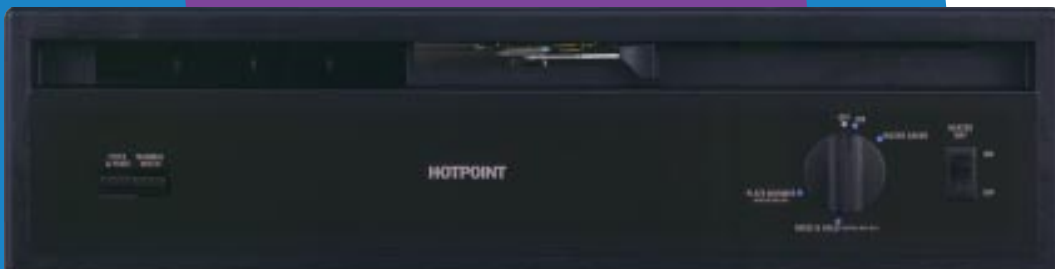
High quality features for performance and convenience



HDA3420ZBB



HDA3220ZBB



HDA2220ZBB



HDA2020ZBB/HDA2000ZWH/AD
(Available for contract sales only.)



HDA1000ZWH

HDA3420ZBB

- 6 cycles/19 options
- New Power Wash II 3-level Wash System
- Self-cleaning filter
- 6-Hour Delay Start option (on dial)
- Light Wash cycle
- Water Saver cycle
- Hi-Temp Wash On/Off
- Super upper rack
- Super silverware basket

Also available in White on white as Model HDA3430ZWW.

HDA3220ZBB

- 5 cycles/14 options
- Pots and Pans cycle
- Water Saver cycle (on dial)
- Plate Warmer cycle (on dial)
- Hi-Temp Wash On/Off
- Deluxe upper rack
- Deluxe silverware basket

Also available in White on white as Model HDA3230ZWW.

HDA2220ZBB

- 5 cycles/8 options
- Pots and Pans cycle
- Water Saver cycle (on dial)
- Rinse and Hold cycle (on dial)
- Plate Warmer cycle (on dial)
- Standard upper rack
- Deluxe silverware basket

HDA2020ZBB/ HDA2000ZWH/AD

- 4 cycles/7 options
- Water Saver cycle (on dial)
- Rinse and Hold cycle (on dial)
- Heavy Wash cycle (on dial)
- Heated Dry On/Off (on rocker)
- Standard upper rack
- Deluxe silverware basket

Available for contract sales only.

Also available in White on white as Model HDA2030ZWW.

HDA1000ZWH

- 1 cycle/2 options
- Normal Wash cycle (on dial)
- Heated Dry On/Off (on rocker)
- Standard upper rack
- Standard silverware basket

For detailed specifications, installation information and color availability, refer to page 62. For warranty information, refer to page 71.

GE Spacemaker® undersink dishwashers

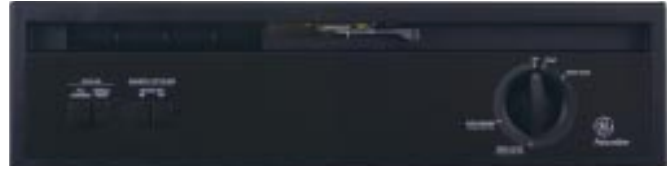
Works built-in or under the sink



Single sink bowl



Offset installation for use with disposer



GSM2100ZWH/AD

- 5 cycles/8 options ■ POTSCRUBBER Cycle ■ Normal Wash cycle
- Short Wash cycle (on dial) ■ Rinse Only/Hold cycle (on dial) ■ Plate Warmer cycle (on dial) ■ PermaTuf® interior ■ Spacemaker® upper rack ■ Deluxe lower rack ■ Deluxe silverware basket ■ 2 wash levels

GE Built-in 18" dishwasher

New 18" space-saving model

GSS1800Z

- 4 cycles/6 options ■ Pots and Pans cycle (on dial)
- Light Wash cycle (on dial) ■ Rinse Only/Hold cycle (on dial)
- Heated Dry On/Off option (rocker) ■ 3-color panel pack
- Available with black control panel only



GSS1800Z

GE Convertible dishwashers

All models feature:

- New GE SureClean™ Wash System ■ POTSCRUBBER Cycle ■ Normal Wash cycle
- Short Wash cycle (on dial) ■ Plate Warmer cycle (on dial) ■ Rinse Only/Hold cycle (on dial) ■ Heated Dry On/Off option ■ Hi-Temp Wash option ■ 3 wash levels
- Rinse Aid dispenser ■ Standard insulation package



Portable now



Built-in later



GSC3430ZWW

- 6 cycles/19 options ■ New GE SureClean™ Wash System ■ Self-cleaning filter ■ Light Wash cycle ■ 6-hour delay start option ■ Deluxe upper rack
- Deluxe lower rack ■ Super silverware basket ■ Rinse Aid dispenser w/indicator ■ White on white with white cabinet

Also available in Black on black with almond cabinet as Model GSC3400ZBL.



GSC3200ZBL

- 5 cycles/14 options ■ New GE SureClean™ Wash System ■ Deluxe upper rack ■ Deluxe lower rack ■ Deluxe silverware basket ■ Black on black with almond cabinet

Also available in White on white with white cabinet as Model GSC3230ZWW.

For detailed specifications, installation information and color availability, refer to pages 63 and 64. For warranty information, refer to page 71.

All models feature:

- Stainless steel flange
- Manual reset protector
- Polyester drain housing
- Dishwasher drain connector
- Dual swivel stainless impellers
- Precutter
- Sink stopper



GFC1000Y



GFC800Y



GFC700Y/GFC705Y



GFC300Y/GFC305Y



GFC290Y/GFC295Y



GFB1050V

Continuous feed models

GFC1000Y

- Rugged 3/4-horsepower motor
- 8000 RPM grinding action
- Super Deluxe sound insulation
- Power Boost feature for heavy loads
- Fast Mount installation
- Removable splash guard

GFC800Y

- 1/2-horsepower motor
- 8000 RPM grinding action
- Deluxe sound insulation
- Fast Mount installation
- Removable splash guard

GFC700Y

- 1/2-horsepower motor
- 8000 RPM grinding action
- Sound shield
- Fast Mount installation
- Removable splash guard

GFC705Y

- Similar to GFC700Y but has attached line cord.

GFC300Y

- 1/2-horsepower motor
- 8000 RPM grinding action
- Fast Mount installation
- Removable splash guard

GFC305Y

- Similar to GFC300Y but has attached line cord.

GFC290Y

- 1/3-horsepower motor
- 8000 RPM grinding action
- Fast Mount installation
- Removable splash guard

GFC295Y

- Similar to GFC290Y but has attached line cord.

Batch feed model

GFB1050V

- Rugged 3/4-horsepower motor
- 2700 RPM grinding action
- Super Deluxe sound insulation
- Twist Mount installation

Where local codes permit, any GE Dishwasher and any GE Disposer may be connected to a single 20-amp circuit.

White and Almond flanges are available: GPF71 (White) and GPF72 (Almond).

GE Compactors

All models feature:

- 1/3 horsepower
- Removable key lock



GCG1530ZWW

- White on white convertible 15" compactor can be used as a free-standing unit now, built-in later.
- Hands-free toe opening drawer
- Automatic anti-jam feature
- Bag caddy
- Rear wheels allow easy movement and installation
- Heavy gauge steel construction

For detailed specifications, installation information and color availability, refer to page 65. For warranty information, refer to page 71.



GCG1520ZBB

- Black on black

GCG950T

- Easy-opening drawer
- Bag storage compartment above compactor drawer
- Replaces standard 12-inch base cabinet

Convertible 12" compactor can be used as a free-standing unit now, built-in later.

Dishwasher specifications

Built-in dishwashers

Features	HDA3430ZWW/HDA3420ZBB	HDA3230ZWW/HDA3220ZBB	HDA2220ZBB	Contract Only HDA2030ZWW/ HDA2020ZBB/HDA2000ZWH/AD	HDA1000ZWH
Performance					
Self Cleaning filter	■	■	■	■	■
Cycles/Options	6/19	5/14	5/8	4/7	1/2
New Power Wash II System	■	■	■	■	■
Pots & Pans cycle	■	■	■	■	■
Normal Wash cycle	■	■	■	Dial	Dial
Water Saver cycle	■	Dial	Dial	Dial	■
Light Wash cycle	■	■	■	■	■
Heavy Wash cycle	■	■	■	Dial	■
Plate Warmer cycle	Dial	Dial	Dial	■	■
Rinse Only/Hold cycle	Dial	Dial	Dial	Dial	■
Delay Start option	6 Hr. (Dial)	■	■	■	■
Hi-Temp Wash On/Off option	■	■	■	■	■
Heated Dry On/Off option	■	Rocker	Rocker	Rocker	Rocker
Energy Saver Dry option	■	■	■	■	■
Wash levels	3	3	2	2	2
Pushbuttons	7	4	2	■	■
Rinse Aid dispenser	■	■	■	■	■
Quiet					
Sound insulation package	Standard	Standard	Standard	Standard	■
Capacity					
Rack System	Upper	Super	Deluxe	Standard	Standard
	Lower	Deluxe	Deluxe	Deluxe	Deluxe
Silverware Basket	Super	Deluxe	Deluxe	Deluxe	Standard
Dependability					
Control type	Turn-to-Start	Turn-to-Start	Turn-to-Start	Turn-to-Start	Turn-to-Start
1-yr./10-yr. warranty***	■	■	■	■	■
1-yr. warranty***	■	■	■	■	■
Color panels	Door	Trimless	Trimless	Trimless	Trimless
	Access	Trimless	Trimless	Trimless	Textured
General Features					
Colors available*	WW, BB	WW, BB	BB	WW, BB, WH, AD	WH
Order kits for 1/4" and 3/4" panel capability**	†	†	†	†	†
Approx. shipping wt. (lbs.)	81	81	81	81	81

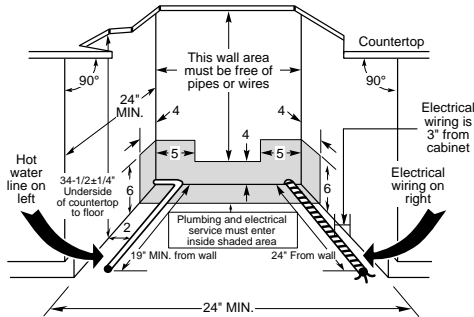
*WW = White on white, BB = Black on black, WH = White/Black, AD = Almond/Black

**Certificate enclosed in Use and Care Book for ordering information.

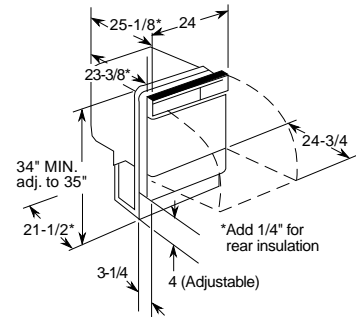
***See written warranty for details.

†For the 1/4" panel capability with trim order GPF325A/W/B. For the 3/4" trimless panel capability order GPF375.

Dishwasher rough-in information (in inches)



Dishwasher dimensions (in inches)



Specifications and electrical rating

120 Volts AC, 60 Hertz, 8.6 Amps total connected load 500 Watt Calrod® heater. For use on adequately wired 120 volt, 15 amp circuit having two-wire service with a separate ground wire. This appliance must be grounded for safe operation.

Dishwasher must not be installed more than 10 feet from sink for proper drainage. All plumbing and electrical work must be in accordance with local codes. Dishwasher includes drain hose and leveling legs.

Note: Before installing, consult installation instructions packed with product for current dimensional data.



See page 71 for warranty information.

GE Spacemaker® undersink dishwasher

Performance		GSM2100ZWH/AD
Food disposer		■
Cycles/Options		5/8
POTSCRUBBER cycle		■
Normal Wash cycle		■
Short Wash cycle		Dial
Plate Warmer cycle		Dial
Rinse Only/Hold cycle		Dial
Heated Dry On/Off option		■
Convection drying		■
Wash levels		2
Cycle progress indicators		Dial
Pushbuttons		4
Rinse aid dispenser		■
Capacity		
Rack system	Upper	Spacemaker®
	Lower	Deluxe
Silverware basket		Deluxe
Dependability		
Control type		Turn-To-Start
PermaTuf® tub and door liner		■
1, 2, 10-yr. warranty*		■
General Features		
Door and access panels**		AD, WH
Order kits for 1/4" or 3/4" panel capability***		■
Amperage rating (120V/60Hz.)		8.6
Horizontal mechanism		■
Easy-Glide roller system		■
Leveling screws		■
Approx. shipping weight (lbs.)		72

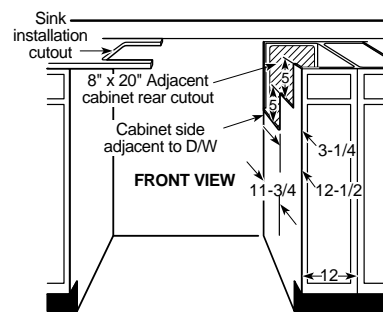
*See written warranty for details.

**AD = Almond panels with black control panel.
WH = White panels with black control panel

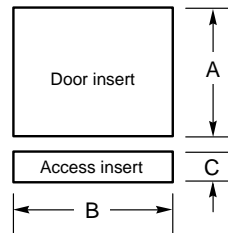
***For the 1/4" panel capability with trim order GPF325A/W/B.
For the 3/4" trimless panel capability order GPF375.

Certificate enclosed in Use and Care Book for ordering information.

Cabinet cutout for sink



Cabinet cutouts for offset single and double bowl sinks. Dishwasher not provided with complete enclosure. Enclosures for sides, top, bottom, and back must be provided by installer at time of installation.



Undersink dishwasher wood insert dimensions (in inches)

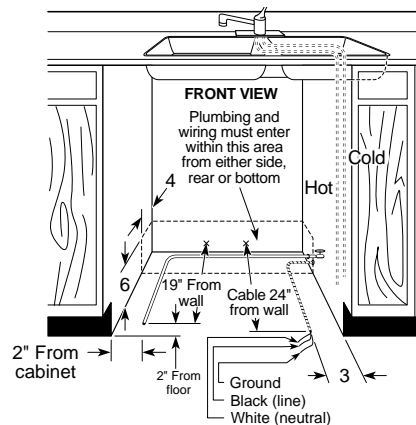
Inserts must not exceed 1/4" thickness within 5/16" of edge around full circumference.

	A	B	C
1/4" panels	18-7/8	23-9/16	3-11/16
3/4" panels	18-15/16	23-5/8*	3-3/4**

*Note: Bottom of panel must be notched 1-1/2" x 1/2" to clear access panel.

**Adjustment required to match adjacent cabinet fronts due to leveling leg adjustment—4" nominal.

Plumbing/electrical rough-in



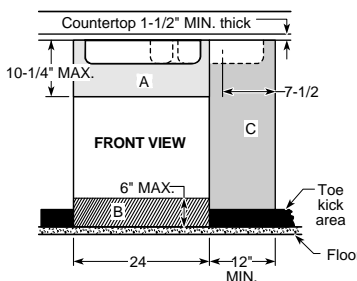
Plumbing: Hot Water Only. Use 3/8" O.D. copper tubing or 1/2" O.D. plastic tubing min. inlet line. Water valve has 3/8" internal threads. Hand cut-off valve is recommended.

Electrical: Fuse circuit with 15 amp or 20 amp standard fuse or circuit breaker. Total amp load is 8.6. Dishwasher operates on 120V, 60 Hz power. Two-wire cable (14 Ga. Min.) with ground must be installed.

Note: All rough-in, both plumbing and electrical, must be completed before the dishwasher is installed. All plumbing and electrical work must be in accordance with local codes.

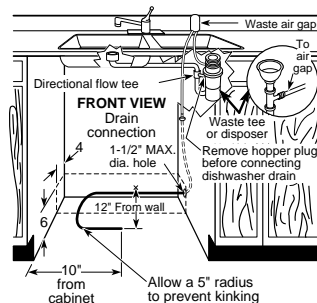
Specifications: Inlet Water Temperature Recommended: Minimum 120°F. at dishwasher. Inlet Water Pressure Required: 15 to 120 lbs./sq. in.

Cabinet rough-in



Either single- or double-bowl sink may be used, centered or offset, as shown in the front illustration above. The 20-1/2" max. dimension from wall to front of sink bowl must be accurate if dishwasher is to fit properly under sink. Water lines to sink faucet and drain from sink can be run through area "A." HOT WATER line to dishwasher is installed in area "B." Garbage disposer, water lines to faucet, trap, waste air gap and water cut-off valve are installed in 12" wide cabinet shown in area "C." Sink opening for garbage disposer must be dimensioned as shown in front view, area "C" above (7-1/2"). This will provide clearance for disposer and plumbing in cabinet "C" when using double bowl sink. If the sink bowl is more than 20-1/2" max. specified distance from the wall, or if the base cabinet is less than the 24" min. depth from the wall, a gap between the tub front flange and the front of the base cabinet may result.

Rough-in for installation with disposer



A close-fitting elbow or special shallow sink strainer is necessary to provide clearance between sink drain and dishwasher. Dishwasher is furnished with a 1/2" I.D. drain hose, 78" long. If using copper tubing, a 2" length of 1/2" I.D. rubber hose must be provided to connect copper tubing to pump outlet. Disposer should have 7/8" I.D. dishwasher drain connector.

Stainless steel sinks single and double compartment models (dimensions in inches)

Model Number	Overall Size		Inside Each Compartment		
	L	W	L	W	D
GPF95 (Single Bowl, R)*	25	21-1/4	21	15-3/4	5-3/8
GPF96 (Single Bowl, L)*	25	21-1/4	21	15-3/4	5-3/8
GPF97 (Double Bowl)	33	21-1/4	14	15-3/4	5-3/8

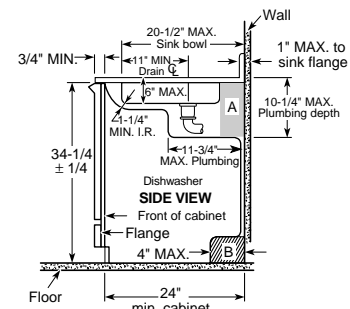
Model Number	Cutout In Countertop 1-1/2" Radius Corners		No. Of 1-1/2" Dia. Faucet Holes	Ship. Wt. Lbs.
	L	W		
GPF95 (Single Bowl, R)*	24-3/8	20-5/8	3 or 4**	10
GPF96 (Single Bowl, L)*	24-3/8	20-5/8	3 or 4**	10
GPF97 (Double Bowl)	32-3/8	20-5/8	3 or 4**	12-1/2

Note: Drain opening size is 3-1/2".

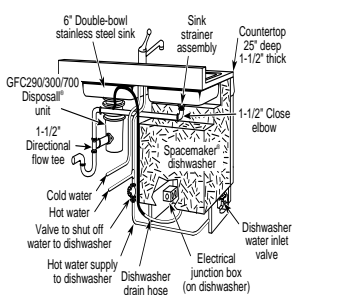
Above models are fully sound deadened.

*Suffix "L" or "R" means drain outlet is located in upper left or right corner of sink compartment.

**All have four holes, but one hole has a removable plug.



Rear view plumbing arrangement



See page 71 for warranty information.

GE Convertible/portable specifications

Convertible/portable dishwashers

	GSC3430ZWW/ GSC3400ZBL	GSC3230ZWW/ GSC3200ZBL
Performance		
Self-cleaning filter	■	
Piranha™ hard food disposer	■	
Cycles/Options	6/19	5/14
New GE SureClean™ Wash System	■	■
POTSCRUBBER cycle	■	■
Normal Wash cycle	■	■
Light Wash cycle	■	
Short Wash cycle	Dial	Dial
Plate Warmer cycle	Dial	Dial
Rinse Only/Hold cycle	Dial	Dial
High Temp Wash option	■	■
6-Hour Delay Start option	Dial	
Heated Dry On/Off option	■	■
Wash levels	3	3
Cycle progress indicators	Dial	Dial
Touchpads/Pushbuttons	7 Pushbuttons	6 Pushbuttons
120° F. inlet water capability	■	■
Rinse Aid dispenser	with Indicator	■
Quiet		
Sound insulation package	Standard	Standard
Capacity		
Rack system	Upper	Deluxe
	Lower	Deluxe
Silverware Basket	Super	Deluxe
Dependability		
Control type	Turn-To-Start	Turn-To-Start
PermaTuf™ tub and door liner	■	■
1, 2, 10 Warranty*	■	■
General Features		
Door and access panels	White/Black	White/Black
Side Color	White/Almond	White/Almond
Order kit for 1/4" and 3/4" panel capability**	■	■
Amperage rating (120V/60 Hertz)	8.6	8.6
Approx. shipping wt. (lbs.)	147	147

*See written warranty for details.

**For the 1/4" panel capability with trim order GPF325A/W/B.

For the 3/4" trimless panel capability order GPF375.

Certificate enclosed in Use and Care Book for ordering information.

18" compact dishwasher

	GSS1800Z
Performance	
Cycles/Options	4/6
Pots & Pans cycle	Dial
Normal Wash cycle	Dial
Light Wash cycle	Dial
Rinse Only/Hold cycle	Dial
Heated Dry On/Off option	Rocker
Cycle progress indicators	Dial
Wash levels	2
120° F. inlet water capability	■
Rinse Aid dispenser	■
Quiet	
Sound insulation package	Standard
Capacity	
Rack system	Upper
	Lower
Silverware Basket	Standard
Dependability	
Control type	Turn-To-Start
1, 10 Yr. Warranty*	■
Polypropylene inner door	■
General Features	
Colors available†	Black, Almond, White
Amperage rating (120V/60 Hertz)	10
Horiz. mechanism	■
Leveling screws	■
Approx. shipping wt. (lbs.)	77

*See written warranty for details.

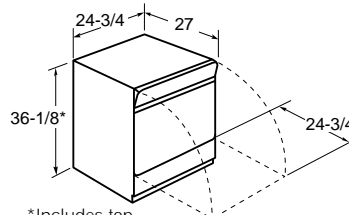
†Available with black control panel only.

Note: Does not accept GPF kits. For trim kit to install wood panel up to 3/16" thick on GSS1800Z model only, order pub. no. 5-A007.

Dimensions (in inches)

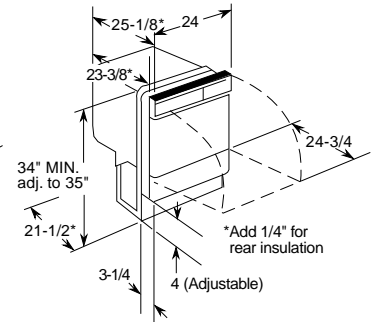
GSC3430ZWW, GSC3400ZBL, GSC3230ZWW and GSC3200ZBL

Portable

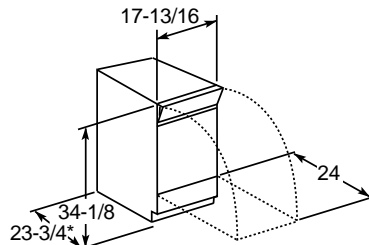


*Includes top and wheels

Built-In



Conversion Kit to Built-In Convertible Dishwashers WD35M34 for Models GSC3430ZWW, GSC3400ZBL, GSC3230ZWW and GSC3200ZBL. Contains built-in dishwasher water valve, hardware and complete instructions for adapting a GE convertible dishwasher for under-the-counter installation.



*(rear of tub to front face of access panel)

Figure 1

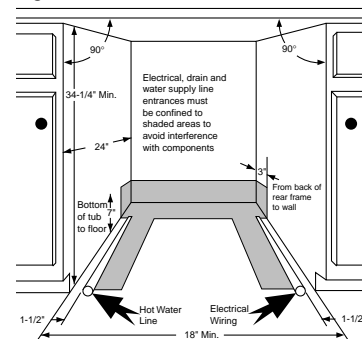
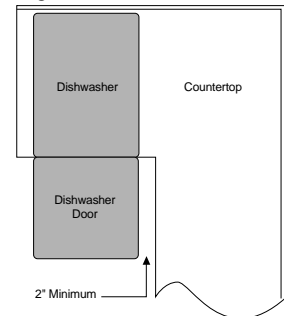


Figure 2



Most of the installation work should be done before the dishwasher is moved into place. First, select a location as close to the sink as possible for ready access to water and drain lines. For proper operation and appearance of the dishwasher, the cabinet opening should be square and have dimensions as shown in Figure 1. If the dishwasher is to be installed in a corner, there must be sufficient clearance to open the door as shown in Figure 2. A *minimum* clearance of 2" is recommended.

Rough-in the water, electrical, and drain lines before proceeding with the installation. The lines should run straight to their connections on the dishwasher.

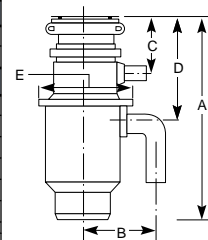
Note: Make sure that the lines do not cross in front of the dishwasher motor or its legs.

GE Disposer and compactor specifications

GE Disposall® food waste disposers

	Continuous Feed Models								Batch Feed Model
	GFC100Y	GFC800Y	GFC705Y	GFC700Y	GFC305Y	GFC300Y	GFC295Y	GFC290Y	GFB1050V
Dependability									
Sound insulation wrapper	Super Deluxe	Deluxe	Standard	Standard	—	—	—	—	Super Deluxe
Feed type	Continuous	Continuous	Continuous	Continuous	Continuous	Continuous	Continuous	Continuous	Batch
Control method	Wall Switch	Wall Switch	Wall Switch	Wall Switch	Wall Switch	Wall Switch	Wall Switch	Wall Switch	Stopper
Power connection	Direct Wire	Direct Wire	Line Cord	Direct Wire	Line Cord	Direct Wire	Line Cord	Direct Wire	Direct Wire
Motor horsepower	3/4	1/2	1/2	1/2	1/2	1/2	1/3	1/3	3/4
Power Boost	■								
Grinding speed (RPM's)	8000	8000	8000	8000	8000	8000	8000	8000	2700
Volts	115	115	115	115	115	115	115	115	115
Hertz	60	60	60	60	60	60	60	60	60
Amperage	6.0	4.5	4.5	4.5	4.2	4.2	4.2	4.2	6.0
Easy Installation									
Mounting type	Fast Mount	Fast Mount	Fast Mount	Fast Mount	Fast Mount	Fast Mount	Fast Mount	Fast Mount	Twist Top
Splash guard	Removable	Removable	Removable	Removable	Removable	Removable	Removable	Removable	Non-Removable
Dishwasher drain connector	■	■	■	■	■	■	■	■	■
Plastic drain elbow	■	■	■	■	■	■	■	■	■
Polyester drain housing	■	■	■	■	■	■	■	■	■
Stainless steel sink flange	■	■	■	■	■	■	■	■	■
Sink stopper	■	■	■	■	■	■	■	■	■
Manual reset overload protector	■	■	■	■	■	■	■	■	■
Permanently lubricated bearing	■	■	■	■	■	■	■	■	■
Dual swivel impellers	■	■	■	■	■	■	■	■	■
Jam resistant	■	■	■	■	■	■	■	■	■
Stainless steel	■	■	■	■	■	■	■	■	■
Hopper	Polypropylene	Polypropylene	Polypropylene	Polypropylene	Polypropylene	Polypropylene	Polypropylene	Polypropylene	Nylon
Hopper liner/grinding ring	Stainless Steel	Stainless Steel	Stainless Steel	Stainless Steel	Galvanized	Galvanized	Galvanized	Galvanized	Stainless Steel
Turntable	Stainless Steel	Galvanized	Galvanized	Galvanized	Galvanized	Galvanized	Galvanized	Galvanized	Stainless Steel
Precutler	■	■	■	■	■	■	■	■	■
Performance									
Approx. shipping weight (lbs.)	12.5	10.0	9.8	9.8	8.4	8.4	8.4	8.4	14.0
Net weight (lbs.)	11	8.8	8.6	8.6	7.6	7.6	7.6	7.6	12.5
Dimensions									
(A)	14-5/8								16-9/16
(B)	6-1/4								5-1/2
(C)	3-1/4								6-1/2
(D)	8-1/4								9-5/16
(E)	8-1/8				6-3/8				8-5/8
Dishwasher inlet diameter (in.)	7/8								1
Drain outlet diameter (in.)	1-1/2								

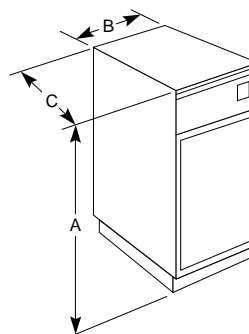
Disposers



GE Compactors

	GCG1530ZWW/GCG1520ZBB	GCG950T
Performance		
Cycle time	27 seconds max., 14 seconds min.	70 seconds max., 12 seconds min.
Motor horsepower	1/3	1/3
Compression ratio (average)	75% reduction of volume	75% reduction of volume
Ram force (lb.) (max.)	2,300	5,000
Automatic anti-jam	■	
Voltage	120V; 60Hz 6.5A	120V; 60Hz 5.0A
Circuit requirement	120V; 15 Amp Grounded Outlet	120V; 15 Amp Grounded Outlet
General Features		
Bag storage	—	Yes
Custom panel size	14-5/8" wide, 22-15/16" high, 1/4" thick	11-11/16" wide, 20-7/8" high, 1/4" thick
Clearance for drop down drawer side	6" or more on right side	—
Drawer extension for removal	23" or more in front of appliance	22" or more
Container volume	1.41 cu. ft.	1.4 cu. ft.
Total appliance weight	146 Pounds	134 Pounds
Rear wheels	■	
Bag caddy	■	

GCG1530ZWW GCG1520ZBB GCG950T Convertible compactors



Compactors:

Door Panels Included:
GCG1530ZWW White/Black
GCG1520ZBB Black/White
GCG950T Black/Almond

Compactor dimensions (in inches)

Model	A	B	C
GCG1530ZWW	34-1/4	15	24-1/4
GCG1520ZBB	34-1/4	15	24-1/4
GCG950T	34-1/2	12	20-1/4

Dishwasher, disposer and compactor accessories

Dishwasher:

Door and access panels:

GPF300A—Almond GPF300W—White
GPF300B—Black

Side panel for all GE models:

Contains one panel and adjustable toe-kick for end cabinet installation of built-in model. Does not attach to dishwasher. Specify color.
GPS5AD—Almond GPS5WH—White

Optional parts

GPF53—Brackets for under non-wood countertop installation
GPF95—Stainless sink for Spacemaker® dishwasher—single bowl
21-1/4" x 25" Drain hole on right; elbow and strainer included
GPF96—Stainless sink for Spacemaker® dishwasher—single bowl
21-1/4" x 25" Drain hole on left; elbow and strainer included
GPF97—Stainless sink for Spacemaker® dishwasher—double bowl
21-1/4" x 33" Elbow and strainer included
GPF100—Heavy spring kit for custom door panel weighing more than 4 lbs.
GPF200—White, Black and Almond tub flange gasket kit

Trim kits

GPF325A/B/W—1/4" panel trim kit (door and access)
GPF375—3/4" trimless panel kit (door and access)

Disposers:

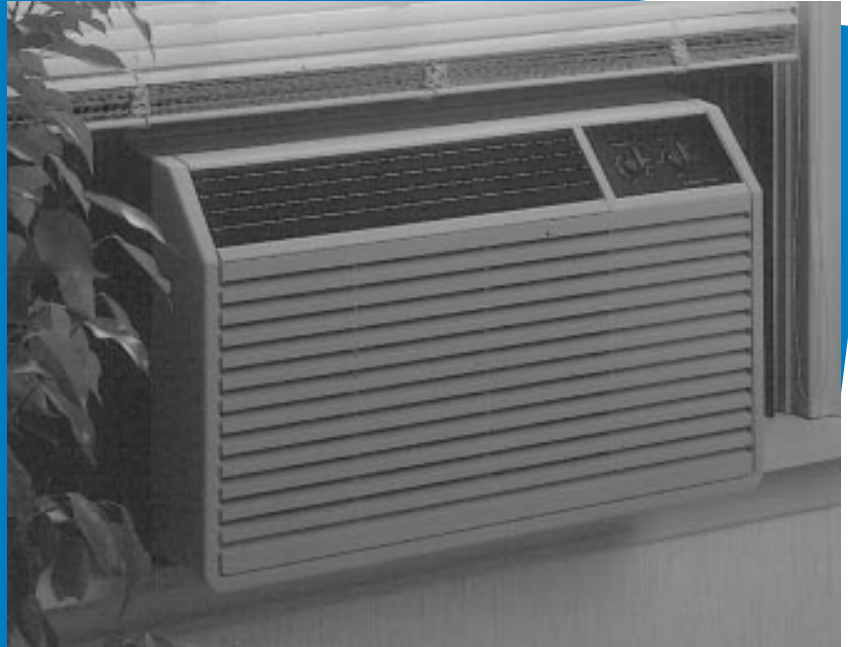
GPF71 White sink flange and stopper for GFC290/295/300/305/700/705/800/1000Y
GPF72 Almond sink flange and stopper for GFC290/295/300/305/700/705/800/1000Y
GPF75 Clamp nut kit

Compactors:

GSA85 Toe Pedal Opener Kit for GCG950
GPF80 White/Black panel for GCG1530
GPF81 Black/Almond panel for GCG1520

"J" series window built-Ins

For convenience and efficiency, GE offers a unique line of units that provide cooling only, cooling with electric heat, and cooling with heat pumps, for use in window or through-the-wall application. All units include solid-sided sleeve with a slide-out chassis. Selected models include easy-mount kit.



Heat/Cool



Cooling with electric heat

Heat/Cool Models	BTUH	EER	Volts
AJK06LH*	6000 (C)	8.7	115
	4040 (E)		
AJK08AH*	8000 (C)	8.7	115
	4040 (E)		
AJK10DH	9500/9300 (C)	8.5/8.5	230/208
	11,250/9200 (E)		

Heat pump



Cooling with heat pump

Heat Pump Model	BTUH	EER	Volts
AJS08AH*	8000 (C)	8.5	115
	7500 (R)		
	4040 (E)		

(C) – Cooling
 (R) – Heat Pump Reverse Cycle Heating with Resistance Back-Up Heating
 (E) – Electric Resistance Heating
 *These units are not intended to be the primary source of heat.



Cooling only

Models	BTUH	EER	Volts
AJ806LH	6200	8.7	115
AJ808AH	8200	8.7	115
AJ810AH	10,200	8.5	115

For additional features, specifications, and color availability, refer to page 69. For warranty information, refer to page 71.

Premium series



Offering stylish appearance and convenience features, the Premium line of GE Room Air Conditioners are powerful and efficient units.



Models	BTUH	EER	Volts
AMD10AB	10,000	10.0	115
AMH12AB	11,500	10.0	115

Deluxe series

Ideal for adding comfort to any room in the house, the Deluxe line of GE Room Air Conditioners offers cooling combined with some of our most popular convenience features.



Models	BTUH	EER	Volts
AMH06LA	5800	10.0	115
AMH08FA	7800	10.0	115

Model	BTUH	EER	Volts
AMD12DB	12,000/11,800	9.1/9.1	230/208



Models	BTUH	EER	Volts
ABM14AA	13,800	10.0	115
ABM15DA	15,000/14,500	9.0/9.0	230/208
ABM18DA	18,000/17,500	9.5/9.5	230/208
ABM22DA	22,000/21,600	8.2/8.2	230/208
ABM24DA	23,500/23,000	8.7/8.7	230/208

For additional features, specifications, and color availability, refer to page 70. For warranty information, refer to page 71.

GE Room air conditioners

Value series

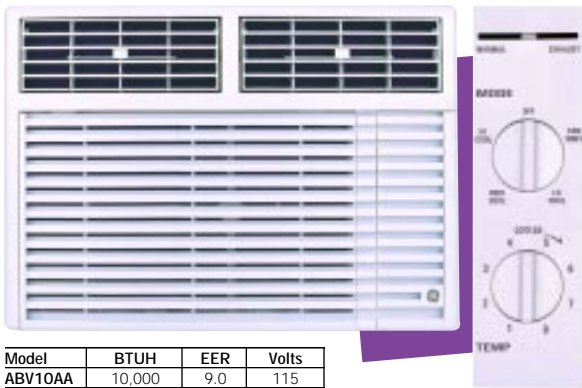
The Value line of GE Room Air Conditioners is the answer to your need for a value-priced, quality air conditioner.



Models	BTUH	EER	Volts
AQV05LA	5000	9.0	115
AQV06LA	6000	9.0	115



Model	BTUH	EER	Volts
AQV08AA	8000	9.0	115
AQV12DA	11,500/11,300	9.0	230/208



Model	BTUH	EER	Volts
ABV10AA	10,000	9.0	115



Model	BTUH	EER	Volts
AMV12AB	12,000	9.1	115



Model	BTUH	EER	Volts
AVV18DB	17,500/17,200	8.8/8.8	230/208

Slide-Aire

Only 14-1/2" wide, GE Slide-Aire units are specially designed for use in casement or sliding windows and narrow double-hung windows. Features a 10-position thermostat, Vertical Slider Kit Panel, 2-way adjustable air direction, three fan speeds for "Cooling" and two "Fan Only" settings.

Models	BTUH	EER	Volts
AVX07FA	7000	8.5	115
AVX10AB	10,000	9.0	115

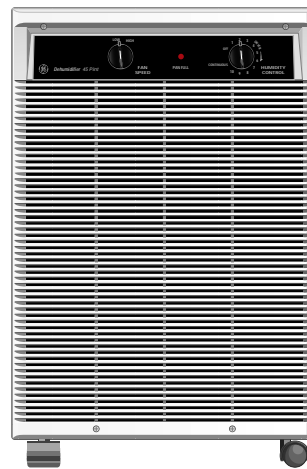
GE Dehumidifiers

Dehumidifies your air

A GE dehumidifier can provide added comfort and help protect your home from the damage excess moisture can cause.

Use anywhere moisture can be a problem—living areas, damp basements, humid laundry rooms and storage areas. GE dehumidifiers help prevent rust, mildew, mold, odors and wood damage.

Three models are available in capacities of 25, 35 and 45 pints to help protect areas up to 2500 square feet. All offer automatic shut-off with signal light, variable humidity control, removable water bucket and easy-roll casters.



Models	Capacity—Pints/Day	Fan Speed Selections	Bucket Type
AHF25LA	25	1	Open
AHF35FA	35	2	Open
AHF45AA	45	2	Open

For additional features, specifications, and color availability, refer to page 70. For warranty information, refer to page 71.

GE Window/Built-in "J" series units and heat pumps

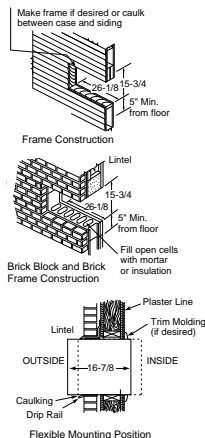
Models	Cooling Only Units			Heat/Cool Units			Heat Pump Unit
	AJ806LH	AJ808AH	AJ810AH	AJK06LH*	AJK08AH*	AJK10DH	AJS08AH*
Cooling Capacity							
BTUH-AHAM**	6200	8200	10,200	6000	8000	9500/9300	8000
Voltage	115	115	115	115	115	230/208	115
E.E.R. (BTUH/Watt)	8.7	8.7	8.5	8.7	8.7	8.5/8.5	8.5
Rated Cooling Amps AHAM	6.3	8.3	10.6	6.3	8.3	5.0/5.3	8.4
Cooling watts	710	940	1200	690	920	1120/1090	940
Dehumidification (pints/hr.)	1.3	2.0	2.7	1.3	2.0	2.6	2.0
Line cord recommended circuit protection (time delay)	15 Amps	15 Amps	15 Amps	15 Amps	15 Amps	20 Amps	15 Amps
Plug type	Parallel	Parallel	Parallel	Parallel	Parallel	Perpendicular	Parallel
Cooling Fan speed selections:	2	2	2	2	2	2	3
Heating Fan only position	2	2	2	2	2	2	1
Airflow (cfm) roomside hi/low	270	270	270	250/220	250/220	250/220	250/235/220
Air exchange exhaust	■	■	■	■	■	■	■
Thermostat	10-Position	10-Position	10-Position	10-Position	10-Position	10-Position	10-Position
Energy Saver Switch	■	■	■	■	■	■	■
Rotary compressor	■	■	■	■	■	■	■
Wall case	Included	Included	Included	Included	Included	Included	Included
Chassis	Slide-Out	Slide-Out	Slide-Out	Slide-Out	Slide-Out	Slide-Out	Slide-Out
Filter type	Slide-Out	Slide-Out	Slide-Out	Slide-Out	Slide-Out	Slide-Out	Slide-Out
Window mounting/installation	EZ Mount	EZ Mount	EZ Mount	Std. Mount	Std. Mount	Std. Mount	Std. Mount
Window opening height (min.) (in.)	17	17	17	17	17	17	17
Window opening width (min./max.) (in.)	31/41	31/41	31/41	31/42	31/42	31/42	31/42
Case Dimensions							
Height (in.) A	←			→			15-5/8
Width (in.) B	←			→			26
Depth (in.) C	←			→			16-7/8
Net weight (lbs.)	98	104	112	99	105	116	118
Approx. shipping weight (lbs.)	109	115	123	110	116	127	129
Heating Capacity—Reverse Cycle							
BTUH-AHAM—H.P.							7500
Rated heating amps—AHAM							7.8
Heater watts							880
COP @ 47°							2.5
Heating Capacity—Electric							
BTUH-AHAM—1'R				4040	4040	11,250/9200	4040
Rating heating amps—AHAM				12.0	12.0	15.5/14.2	12.0
Heater watts (maximum connected load)				1330	1350	3550/2930	1380

*This unit is **not** intended to be the primary source of heat.
 **Reduced capacity with RAG14 optional grille, 3% (J Models only).

Built-In Room Air Conditioners Wall Opening for RAB46/47/48 Cases

A finished opening of 26-1/8" x 15-3/4", clear of intrusions, is required. Keep clearance of 4" from side walls. Brick veneer or frame walls should have wood studding surrounding case to provide firm anchoring with screws. Case can be fastened directly to brick or block walls with screws sunk in lead expansion shields.

Note: Units should be caulked on all four sides of case to the building exterior to assure building integrity.

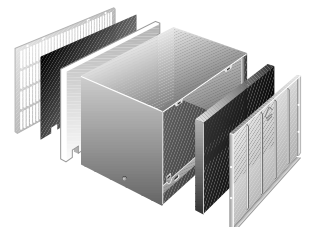


Two Wall Cases for Tenant Option Installation

When the air conditioner is offered as a tenant option, these wall cases provide protection against outside elements.

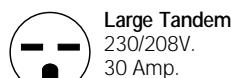
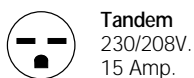
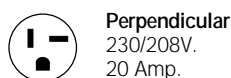
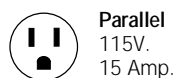
RAB47—includes wall case, exterior grille, weather panel and steel closure panels.

RAB48—includes wall case, exterior grille, steel closure panel and two layers of insulation.



Standard Wall Case RAB46

Solid-sided wall case fabricated of galvanized steel with baked enamel finish. Welded areas are coated with a sealing compound to help resist rust and corrosion. Polymer gasket surrounds opening to assure tight weather seal. Aluminum grille (RAG13) is included. Panels on interior and between case and grille provide weather protection prior to installation of chassis.



Wall Outlets

All wiring, including installation of receptacle, must be made in accordance with local electrical codes and regulations. Electrical outlet should be in reach of line cord.

Note: Aluminum wiring may pose special problems—consult a qualified electrician.

Note: Some models may not be available in your area due to local legislation. Contact your local dealer.

Note: When installing slide out chassis units in through-the-wall applications, keep louvers free. Do not restrict air flow areas. Fixed chassis units are not suitable for through-the-wall applications.



Listed by Underwriters Laboratories



Total capacity and E.E.R. ratings are calculated based on the Association of Home Appliance Manufacturers' standards.

GE has a policy of continuous improvement on its products and reserves the right to change materials and specifications without notice.

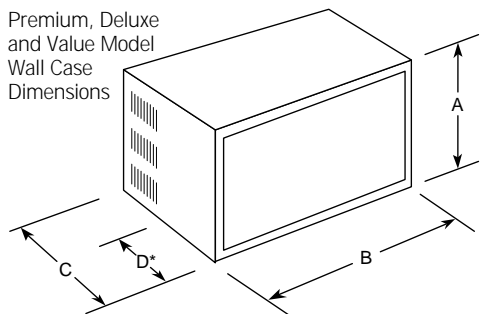
For warranty information, refer to page 71.

GE Room air conditioner specifications

Models	Premium 115 Volt		Deluxe 115 Volt			Deluxe 230 Volt				
	AMD10AB	AMH12AB	AMH06LA	AMH08FA	ABM14AA	AMD12DB	ABM15DA	ABM18DA	ABM22DA	ABM24DA
BTUH	10,000	11,500	5800	7800	13,800	12,000/11,800	15,000/14,500	18,000/17,500	22,000/21,600	23,500/23,000
Voltage	115	115	115	115	115	230/208	230/208	230/208	230/208	230/208
E.E.R. (BTUH/Watt)	10.0	10.0	10.0	10.0	10.0	9.1/9.1	9.0/9.0	9.5/9.5	8.2/8.2	8.7/8.7
Amps	8.9	10.1	5.2	7.1	12.8	5.9/6.4	6.8/7.2	8.3/9.0	11.8/12.8	11.7/12.6
Watts	1000	1150	580	780	1380	1315/1295	1670/1610	1890/1840	2680/2640	2700/2640
Energy Saver Switch	■	■	■	■	■	■	■	■	■	■
Electronic Control	■	■				■				
12-hour timer	■	■				■				
Dehumidification (pints/hr.)	3.2	3.6	0.9	2.3	4.6	3.6	4.3	5.7	7.6	7.8
Window mounting	EZ Mount	EZ Mount	EZ Mount	EZ Mount	EZ Mount	EZ Mount	EZ Mount	EZ Mount	EZ Mount	EZ Mount
Window opening height (min. in inches)	15-3/4	15-3/4	14-17/32	14-17/32	17-1/4	15-3/4	17-1/4	17-1/4	17-1/4	17-1/4
Window opening width (in inches) Min.	26-1/2	26-1/2	21-5/8	21-5/8	30-1/2	26-1/2	30-1/2	30-1/2	30-1/2	30-1/2
Window opening width (in inches) Max.	41	41	35	35	40-1/2	41	40-1/2	40-1/2	40-1/2	40-1/2
Vent/exhaust	Exhaust	Exhaust	Exhaust	Exhaust	Exhaust	Exhaust	Exhaust	Exhaust	Exhaust	Exhaust
Circular	■	■				■				
Fan speeds (Cool/Fan Only)	3/1	3/1	2/2	2/2	3/1	3/1	3/1	3/1	3/1	3/1
Control door	■	■				■	■	■	■	■
CFM (high shown)	310	330	220	220	410	330	410	420	480	480
Thermostat	Electronic Slide	Electronic Slide	10-Position	10-Position	10-Position	Electronic Slide	10-Position	10-Position	10-Position	10-Position
Plug type	Parallel	Parallel	Parallel	Parallel	Parallel	Tandem	Tandem	Tandem	Perpendicular	Perpendicular
Chassis	Slide-Out	Slide-Out	Slide-Out	Slide-Out	Slide-Out	Slide-Out	Slide-Out	Slide-Out	Slide-Out	Slide-Out
Filter type	Slide-Out	Slide-Out	Slide-Out	Slide-Out	Rigid Frame	Slide-Out	Rigid Frame	Rigid Frame	Rigid Frame	Rigid Frame
Case Dimensions										
Height (inches) A	← 14-3/4 →		← 13-5/8 →		← 17-1/4 →	← 14-3/4 →	← 17-1/4 →			
Width (inches) B	← 22-1/16 →		← 17-3/4 →		← 26-9/16 →	← 22-1/16 →	← 26-9/16 →			
Depth (inches) C	← 23-5/8 →		← 20-7/8 →		← 28-29/32 →	← 23-5/8 →	← 28-29/32 →			
Depth to louvers (inches) D	← 9-7/16 →		← 8-17/32 →		← 12-1/2 →	← 9-7/16 →	← 12-1/2 →			
Net wt. (lbs.)/Approx. ship. wt. (lbs.)	88/95	93/100	64/73	66/75	133/140	93/100	134/141	170/179	178/185	180/187

Models	Value 115 Volt					Value 230 Volt		Slide-Aire	
	AQV05LA	AQV06LA	AQV08AA	ABV10AA	AMV12AB	AQV12DA	AVV18DB	AVX07FA	AVX10AB
BTUH	5000	6000	8000	10,000	12,000	11,500/11,300	17,500/17,200	7000	10,000
Voltage	115	115	115	115	115	230/208	230/208	115	115
E.E.R. (BTUH/Watt)	9.0	9.0	9.0	9.0	9.1	9.0/9.0	8.8/8.8	8.5	9.0
Amps	5.1	6.1	8.2	10.0	11.7	5.7/6.2	9.2/9.9	7.5	11.0
Watts	555	665	890	1110	1310	1280/1255	1990/1960	820	1110
Dehumidification (pints/hr.)	1.3	1.5	1.9	4.0	3.6	3.6	5.5	2.5	3.1
Window mounting	EZ Mount	EZ Mount	EZ Mount	EZ Mount	EZ Mount	EZ Mount	EZ Mount	Std. Mount	Std. Mount
Window opening height min. (in inches)	14-27/32	14-27/32	16-1/32	15-1/4	15-3/4	16-1/32	16	21/36	21/36
Window opening width (in inches) Min.	23-5/8	23-5/8	25-19/32	23	26-1/2	25-19/32	24	15-1/2	15-1/2
Window opening width (in inches) Max.	35-7/16	35-7/16	37	37-1/2	41	37	39	15-1/2	15-1/2
Vent/exhaust	None	None	Exhaust	Exhaust	Exhaust	Exhaust	Exhaust	Exhaust	Exhaust
Circular					■				
Fan speeds (Cool/Fan Only)	3/1	3/1	3/1	3/1	2/2	3/1	2/2	3/2	3/2
CFM (high shown)	190	190	250	250	330	250	420	210/180/155	260/240/220
Thermostat	8-Position	8-Position	8-Position	8-Position	8-Position	8-Position	8-Position	10-Position	10-Position
Plug type	Parallel	Parallel	Parallel	Parallel	Parallel	Tandem	Tandem	Parallel	Parallel
Chassis	Fixed	Fixed	Slide-Out	Fixed	Slide-Out	Slide-Out	Fixed	Fixed	Fixed
Filter type	Slide-Out	Slide-Out	Slide-Out	Rigid Frame	Slide-Out	Slide-Out	Foam	Foam	Foam
Case Dimensions									
Height (inches) A	← 14-9/16 →		← 14-3/4 →	← 13-1/4 →	← 14-3/4 →	← 14-3/4 →	← 15-3/4 →	← 20-1/2 →	← 20-1/2 →
Width (inches) B	← 19-11/16 →		← 20-15/32 →	← 19 →	← 22-1/16 →	← 20-15/32 →	← 23-3/4 →	← 14-1/2 →	← 14-1/2 →
Depth (inches) C	← 16-17/32 →		← 22-7/16 →	← 19-3/4 →	← 23-5/8 →	← 22-7/16 →	← 22-1/2 →	← 22-9/16 →	← 22-9/16 →
Depth to louvers (inches) D	N/A		← 4 →	← 9-1/8 →	← 9-7/16 →	← 4 →	← 11 →	← 9-1/2 →	← 9-1/2 →
Net wt. (lbs.)/Approx. ship. wt. (lbs.)	44/52	44/52	66/74	75/80	93/100	79/88	107/112	84/88	102/106

Premium, Deluxe and Value Model Wall Case Dimensions



*Distance from front of case to side louvers (excluding grille).



Parallel
115V.
15 Amp.



Perpendicular
230/208V.
20 Amp.



Tandem
230/208V.
15 Amp.



Large Tandem
230/208V.
30 Amp.

Wall Outlets

All wiring, including installation of receptacle, must be made in accordance with local electrical codes and regulations. Electrical outlet should be in reach of line cord.

Note: Aluminum wiring may pose special problems—consult a qualified electrician.

Note: When installing units in through-the-wall applications, keep louvers free. Do not restrict air flow areas. Carry-Cool units are not designed for through-the-wall applications.

Note: Some models may not be available in your area due to local legislation. Contact your local dealer.

For warranty information, refer to page 71.

The condensed list below is a convenient overview of the written warranties offered on various Hotpoint and GE appliances described in this catalog. For complete warranty details on a specific appliance model, contact your nearest Hotpoint/GE appliance dealer, or call GE Factory Service, toll-free, 800-GE-CARES (800-432-2737).

Appliance	Length	Type	Warranty Covers	Parts Or Labor	Where Serviced*
Dehumidifiers	1-Year	Limited	Entire Appliance	Both	Carry-In
	Additional 4-Year (5 years total)	Limited	Sealed Refrigeration System	Both	Carry-In
Dishwasher Model HDA1000ZWH	1-Year	Full	Entire Appliance	Both	In-Home
Dishwashers (Models HDA2000Z, HDA2020Z, HDA2030Z, HDA2220Z, HDA3220Z, HDA3230Z, HDA3420Z, HDA3430Z)	1-Year	Full	Entire Appliance	Both	In-Home
	Additional 9-Year (10 years total)	Full	Polypropylene Tub and Door Liner	Both	In-Home
Dishwasher (Models GSC3400Z, GSC3430Z, GSC3200Z, GSC3230Z, GSM2100Z)	1 Year	Full	Entire Appliance	Both	In-Home
	Additional 1-Year (2 years total)	Limited	Water Distrib. Sys.	Parts	In-Home***
	Additional 9-Year (10 years total)	Full	PermaTuf® Tub and Door Liner	Both	In-Home
Disposer Models GFC305Y, GFC300Y, GFC295Y, GFC290Y	1-Year	Full	Entire Appliance	Both	In-Home
Disposer Models GFC705Y, GFC700Y	2-Year	Full	Entire Appliance	Both	In-Home
Disposer Model GFC800Y	4-Years	Full	Entire Appliance	Both	In-Home
Disposer Models GFC1050V, GFC1000Y	5-Years	Full	Entire Appliance	Both	In-Home
Compactors	1-Year	Full	Entire Appliance	Both	In-Home
Dryers (Extra-Large Capacity)	1-Year	Full	Entire Appliance	Both	In-Home
	Additional 4-Year (5 years total)	Limited	Extra-Large Capacity Drum	Parts	In-Home***
Dryers (Large Capacity) and GE Spacemaker® Dryers	1-Year	Full	Entire Appliance	Both	In-Home
Freezers (Upright and Chest)	1-Year	Full	Entire Appliance	Both	In-Home
	Additional 4-Year (5 years total)	Full	Sealed Refrig. Sys.	Both	In-Home
	1-Year/5-Year††	Full	Food Spoilage‡	N/A	N/A
Hoods	1-Year	Full	Entire Appliance	Both	In-Home
Microwave Oven Models JEM31GY/WY, JE1550GY/WY, JE1540GW/WWW/AW	1-Year	Full	Entire Appliance	Both	In-Home
	Additional 9-Year (10 years total)	Limited	Magnetron Tube	Part	In-Home***
Microwave Oven Models JE1250WY, JE1340GY/WY, JE1040GY/WY, JEM25GY/WY, JE740GY/WY	1-Year	Limited	Entire Appliance	Both	Carry-In**
	Additional 9-Year (10 years total)	Limited	Magnetron Tube	Part	Carry-In**
Over-The-Range Microwave Oven Model RVM1325BW/WW	1-Year	Full	Entire Appliance	Both	In-Home
	Additional 4-Year (5 years total)	Limited	Magnetron Tube	Part	In-Home***
Microwave Oven Models JE510BW, JE520BW, JE1235WW, JE835WW, JE635WW	1-Year	Limited	Entire Appliance	Both	Carry-In**
	Additional 4-Year (5 years total)	Limited	Magnetron Tube	Part	Carry-In**
Ranges	1-Year	Full	Entire Appliance	Both	In-Home
Refrigerators (All models except TAX2SNXWN, TAX4ANXWN, TAX4SNYWH)	1-Year	Full	Entire Appliance	Both	In-Home
	Additional 4-Year (5 years total)	Full	Sealed Refrigeration System, Compressor	Both	In-Home
	Lifetime	Limited	See-thru Vegetable/fruit crispers	Parts	Carry-In**
Refrigerators (Models TAX2SNXWN, TAX4ANXWN, TAX4SNYWH)	1-Year	Limited	Entire Appliance	Both	Carry-In**
	Additional 4-Year (5 years total)	Limited	Compressor	Part	Carry-In**
Room Air Conditioners (Window, Window Built-In)	1-Year	Full	Entire Appliance	Both	In-Home
	Additional 4-Year (5 years total)	Full	Sealed Refrig. Sys.	Both	In-Home
Washers	1-Year	Full	Entire Appliance	Both	In-Home
	Additional 4-Year (5 years total)	Limited	Transmission	Parts or Reconditioned Transmission	In-Home***
	Additional 19-Year (20 years total)	Limited	Tuf Tub™ basket	Parts	In-Home***
GE Spacemaker® Washers	1-Year	Full	Entire Appliance	Both	In-Home
	Additional 4-Year (5 years total)	Limited	Transmission	Parts	In-Home***

* See warranty for details.

** In-Home service available at additional cost.

*** Does not include service trip and labor charges.

‡Cumulative limits: \$100—14.9 cu. ft. and smaller; \$150—15.0 cu. ft. and larger.

††One year on spoilage from any part failure. Five years on spoilage from sealed refrigerant system failure.

GE Consumer Service, We'll Be There!

Here are four reasons to choose Monogram[®],
GE Profile[™], GE, Hotpoint and RCA Appliances:



GE Appliance Service 800-GE-CARES

Expert Service When You Need It!

- Call us 24 hours a day, every day of the year.
- Among the best one-call repair completion rates in the industry!
- Receive a 5-year full warranty on parts when installed by GE.

GE Answer Center[®] 800.626.2000

We Never Close!

- Any hour of the day or night—even on weekends and holidays—the GE Answer Center[®] service is available to answer questions about Monogram[®], GE Profile[™], GE, Hotpoint, and RCA features and installations.
- You and your customers can call toll-free before, during and after the sale.



GE Genuine Parts 800-626-2002

When You Want Parts To Fix It Yourself!

- We offer a complete line of parts, accessories and appliance care products for GE appliances and most other major brands too!
- Fast, convenient delivery direct to you.

GE Service Contracts 800-626-2224

We'll Cover Any Appliance.
Anywhere. Anytime.*

- All brands covered
- Backed by GE
- With GE Service Protection Plus[™] you receive complete coverage on parts, labor and service calls for the term of your GE Service Contract.

*All brands covered, up to 20 years old, in the continental U.S.

Before purchasing any appliance on which the Federal Trade Commission requires an energy label, read important energy cost and efficiency information available from your retailer.

GE has a policy of continuous improvement on its products and reserves the right to change materials and specifications without notice.